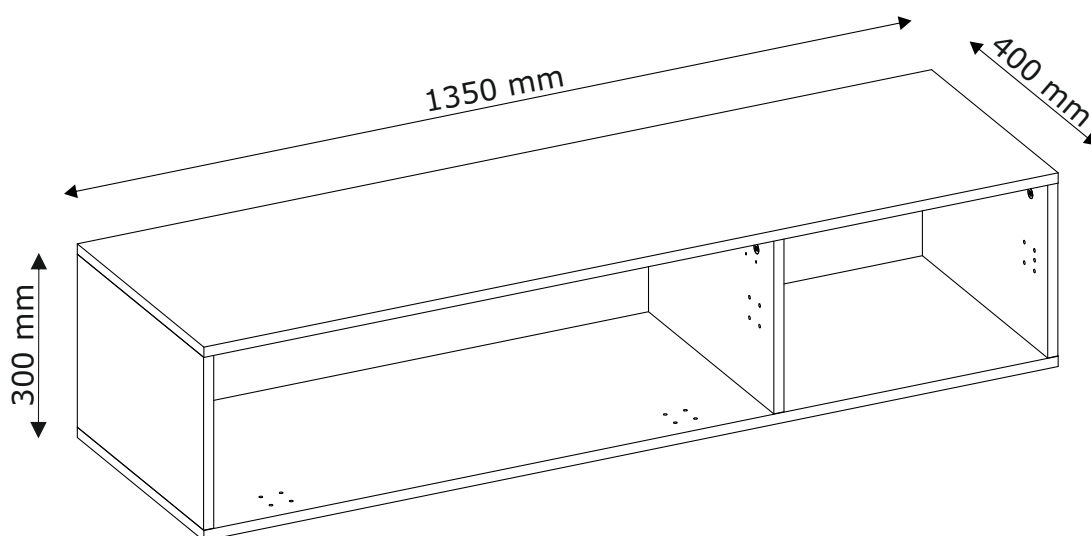
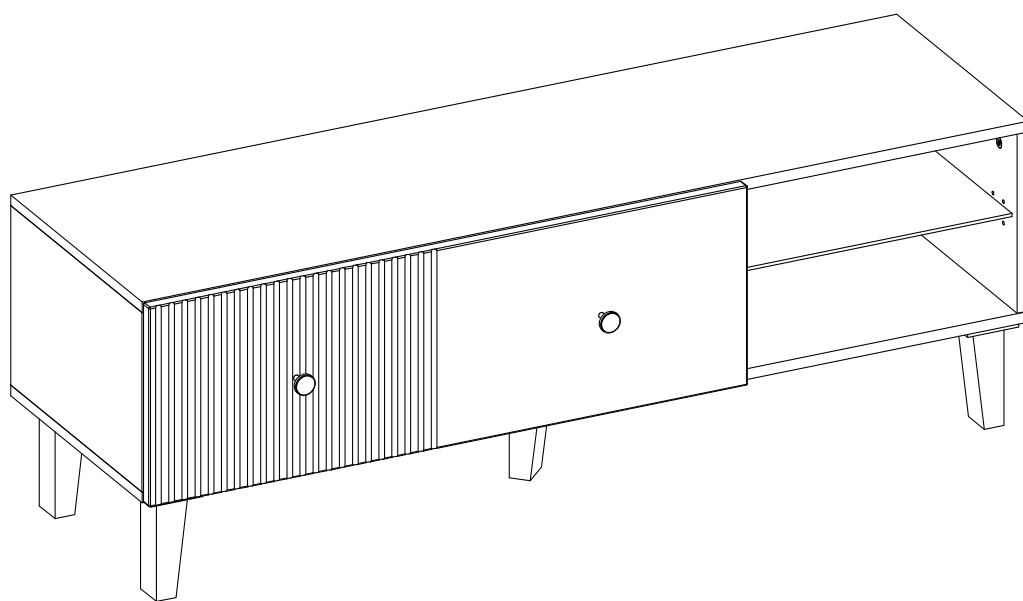
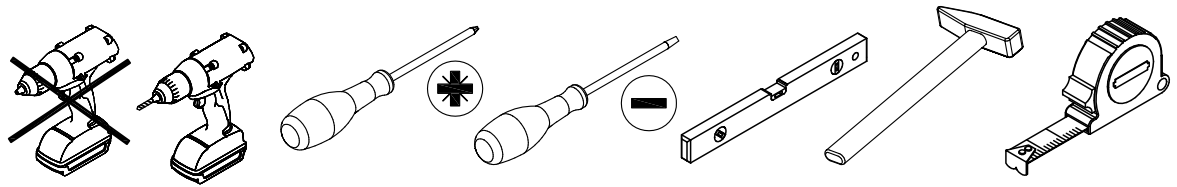
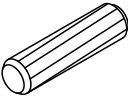
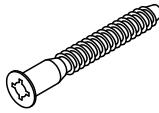

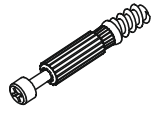
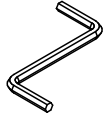


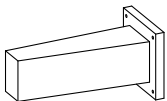
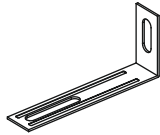
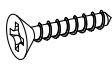
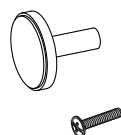
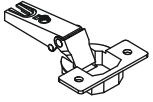



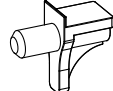


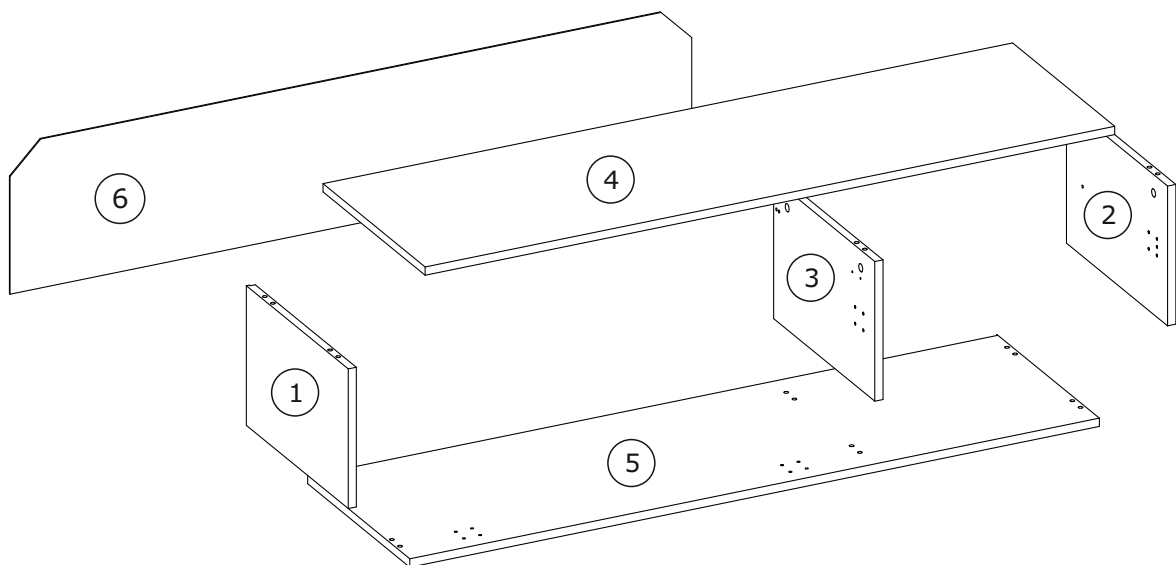
# Berlin

## Tv cabinet 1K

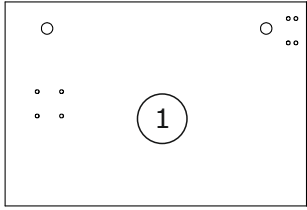




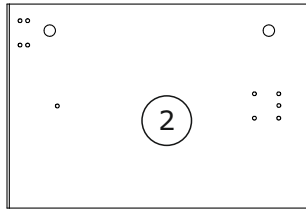
<p>A x 12</p>  <p>Ø8x35 mm</p>	<p>B x 6</p>  <p>Ø7x50 mm</p>	<p>C x 6</p>  <p>Ø15x12 mm</p>	<p>D x 6</p>  <p>Ø5x44 mm</p>	<p>E x 1</p>  <p>4 mm</p>	<p>F x 6</p>  <p>20 mm</p>
<p>G x 27</p>  <p>1,2x25 mm</p>	<p>H x 5</p> 	<p>I x 2</p> 	<p>J x 18</p>  <p>3,5x16 mm</p>	<p>P x 1</p> 	<p>R x 2</p> 
<p>S x 2</p> 	<p>T x 20</p>  <p>4x20 mm</p>	<p>X x 2</p> 	<p>Y x 4</p> 		



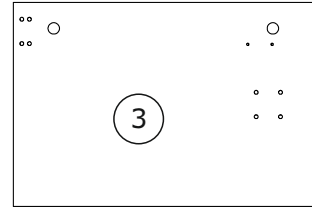
# BOX 1/1:



268x399x16 mm



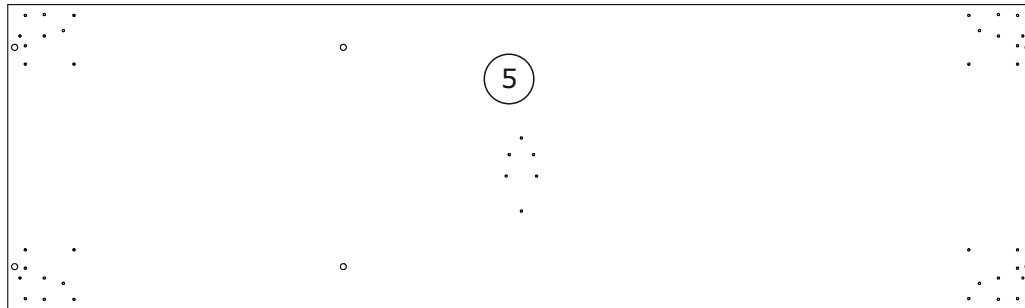
268x399x16 mm



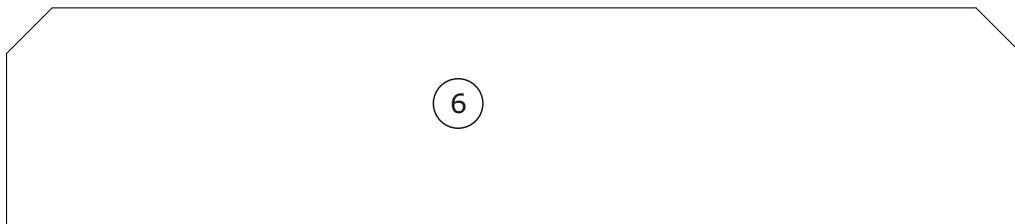
268x396x16 mm



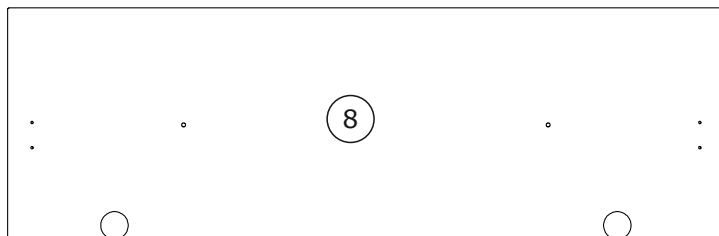
1350x400x16 mm



1350x400x16 mm



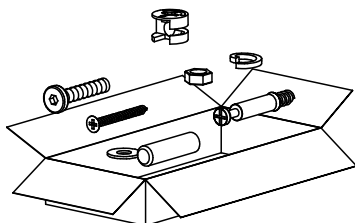
286x1334x3 mm



912x298x18 mm

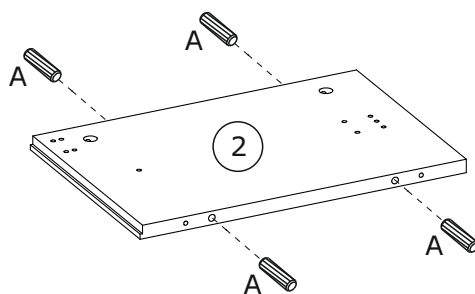
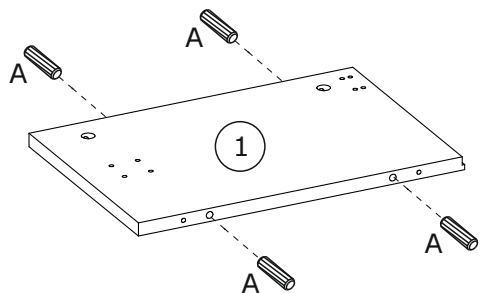
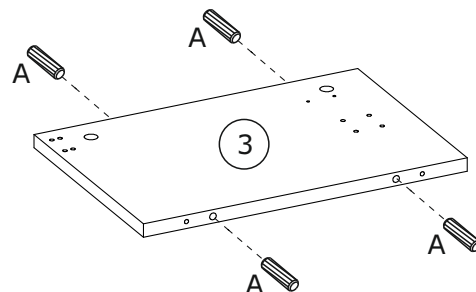
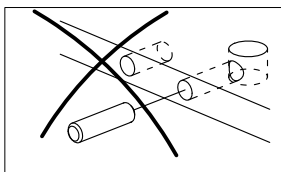
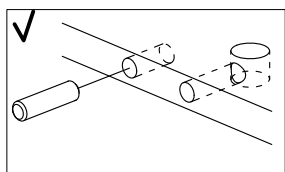
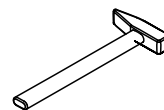


413x380x5 mm



1

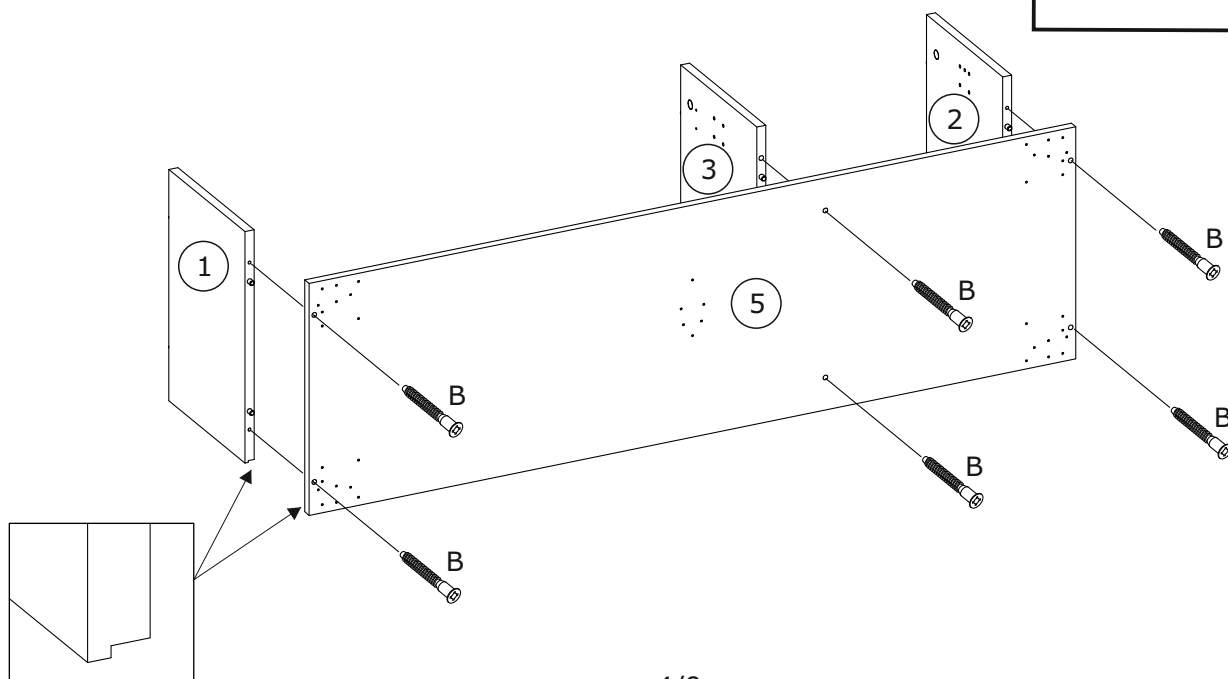
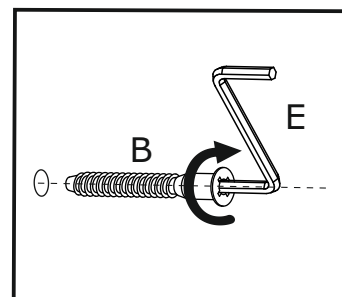
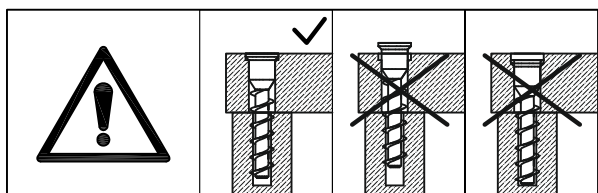
A x 12  
Ø8x35 mm



2

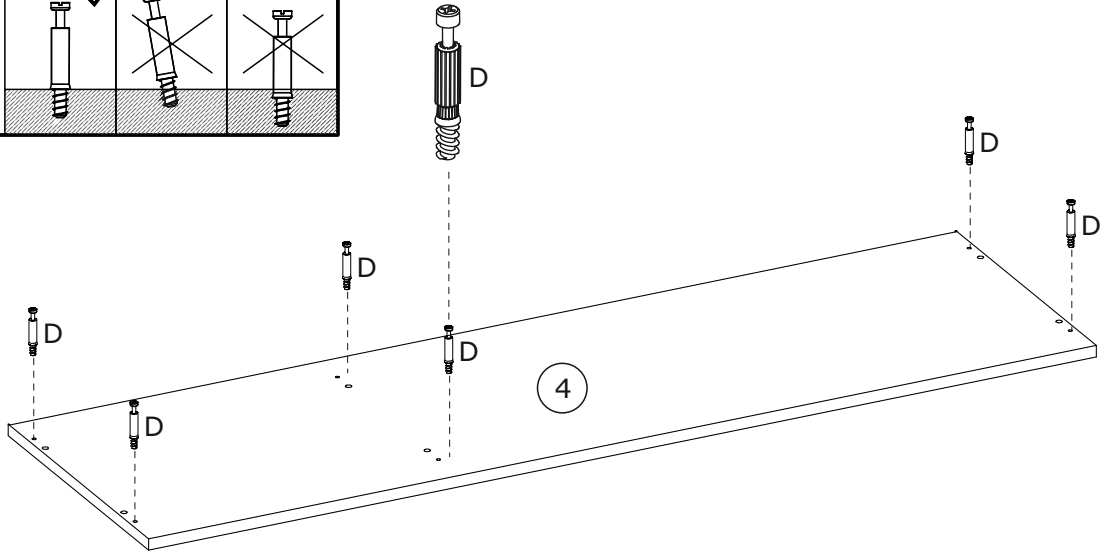
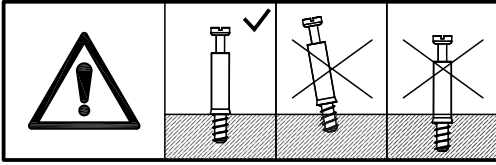
B x 6  
Ø7x50 mm

E x 1  
● 4 mm



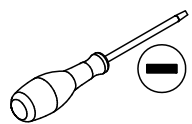


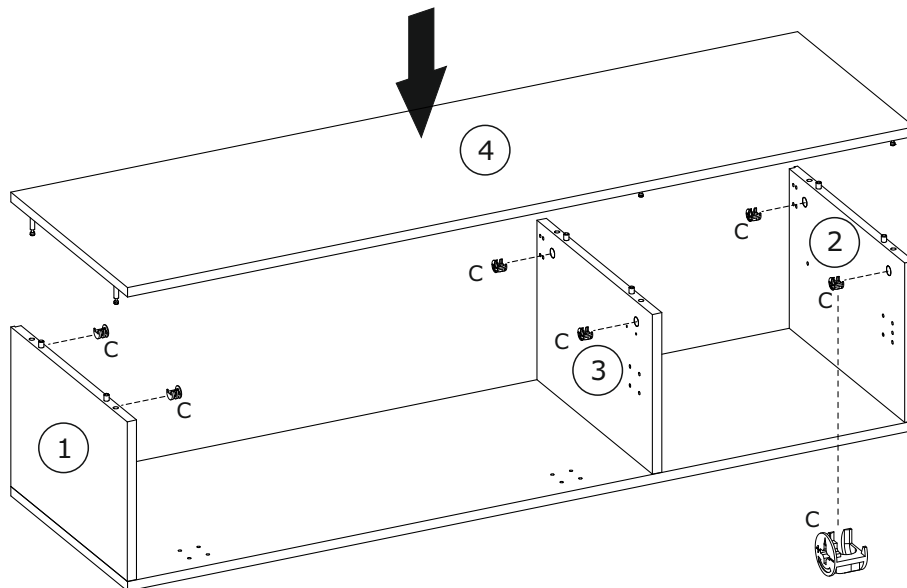
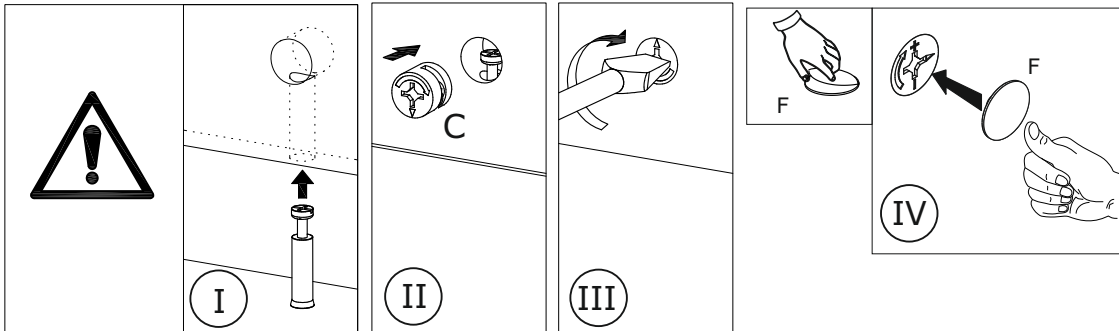
3

D x 6  Ø5x44 mm		
--	--	---



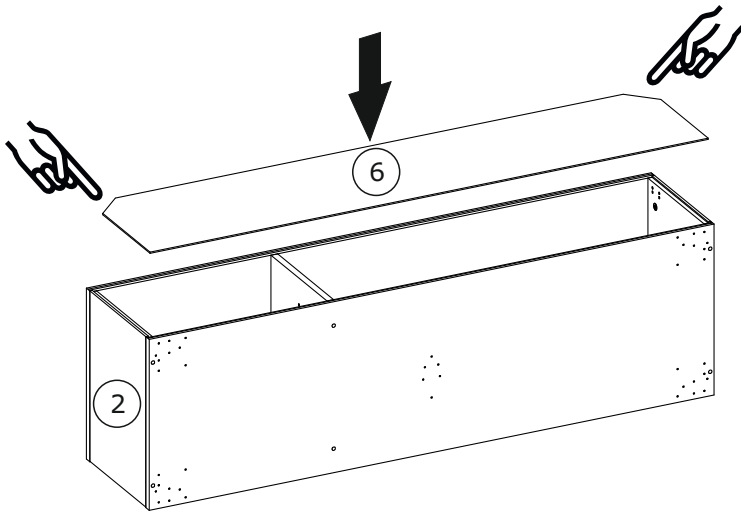
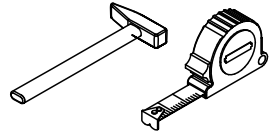
4


C x 6  Ø15x12 mm	F x 6  20 mm	
---	---	--

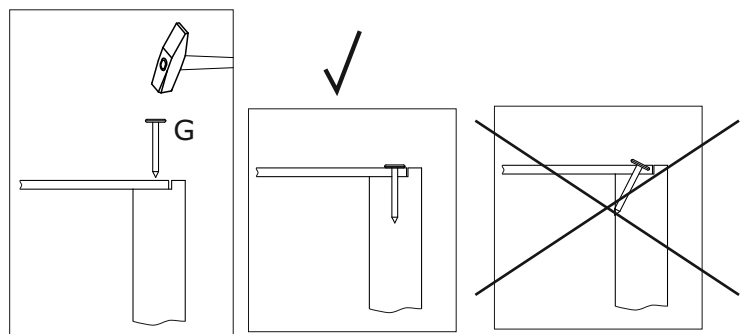
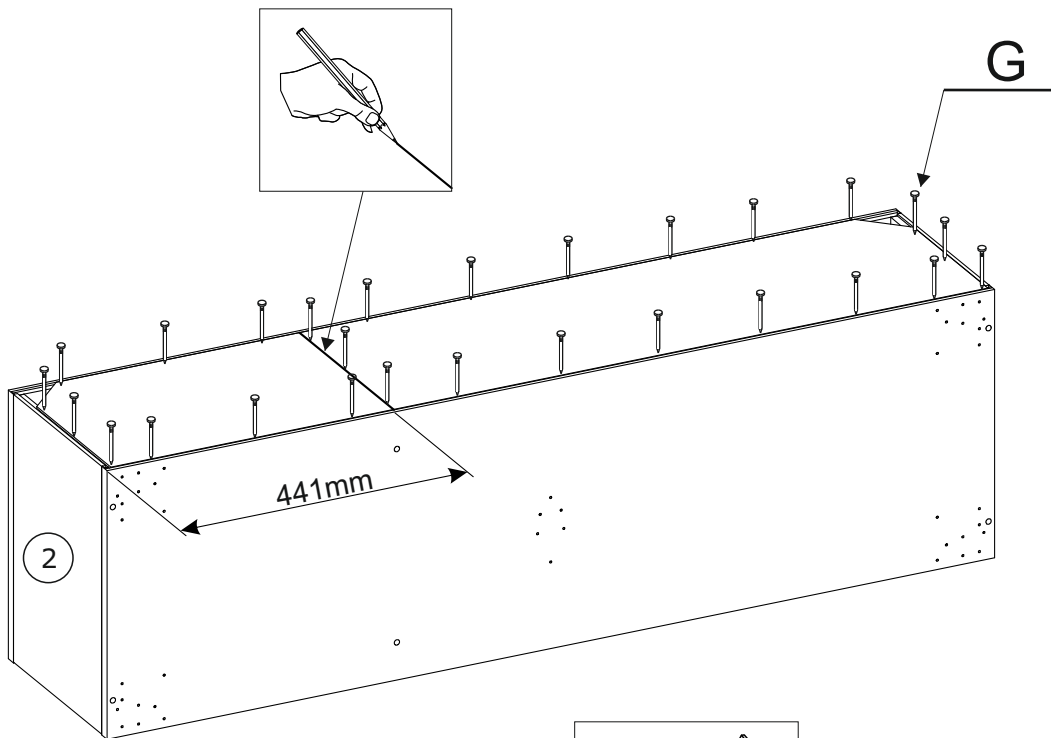
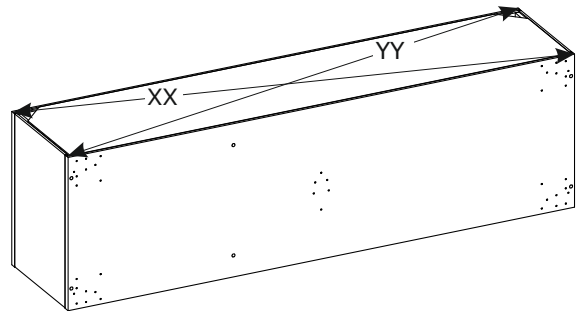


5

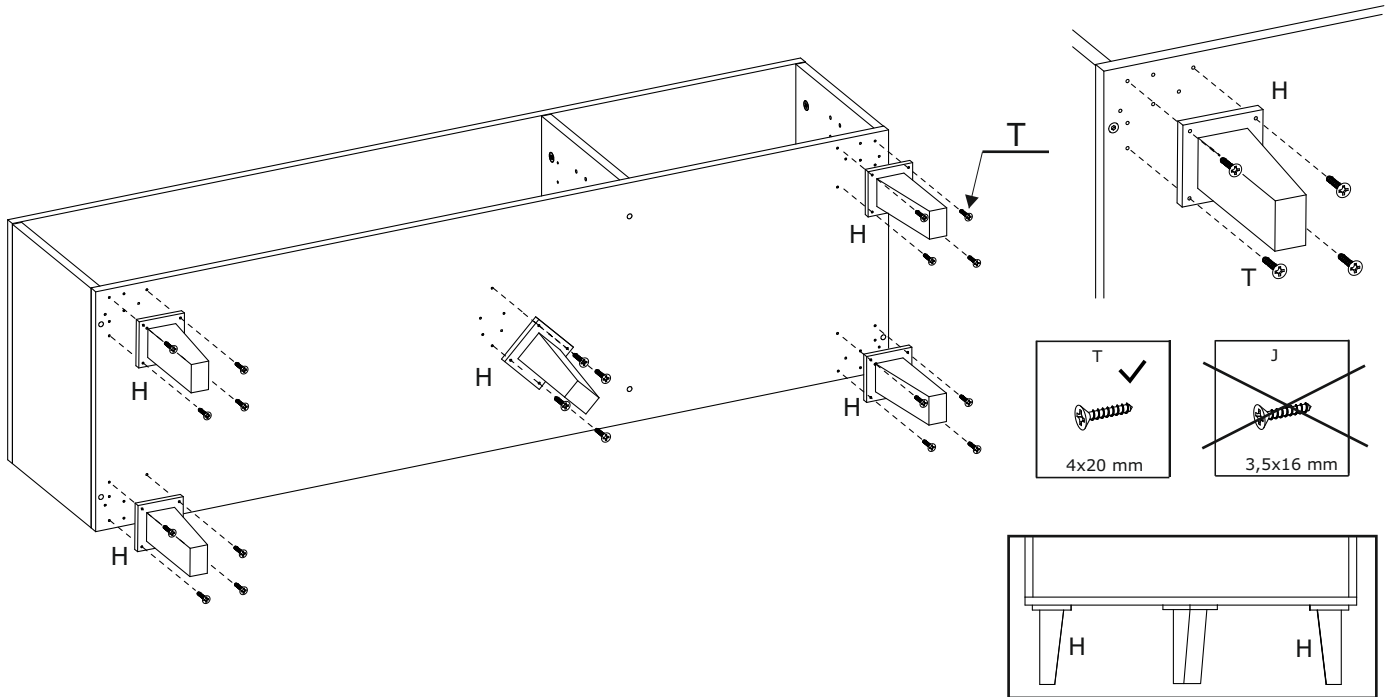
G x 27  
1.2x25 mm



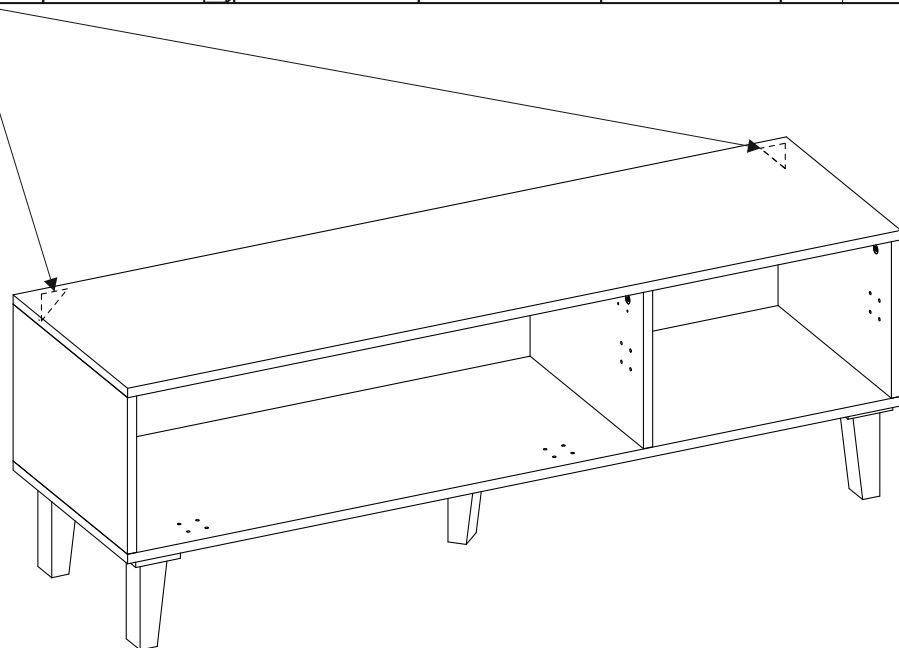
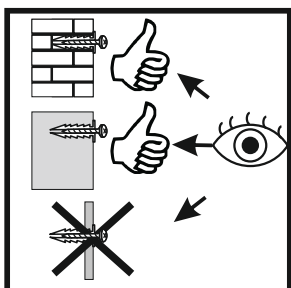
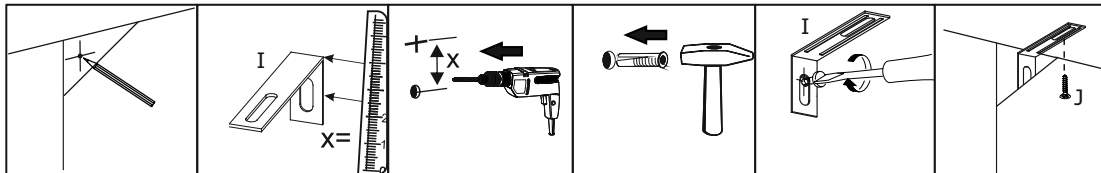
  $XX = YY \equiv 90^\circ$



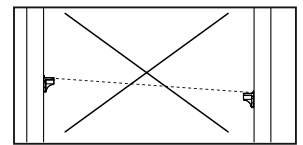
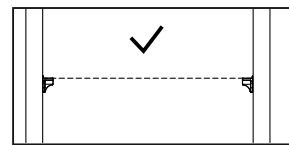
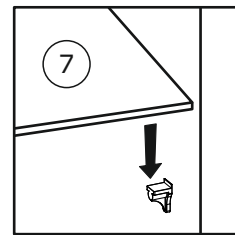
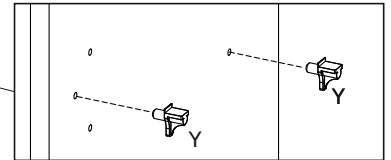
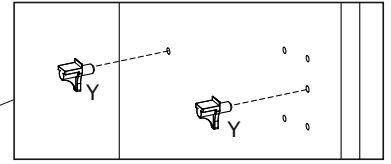
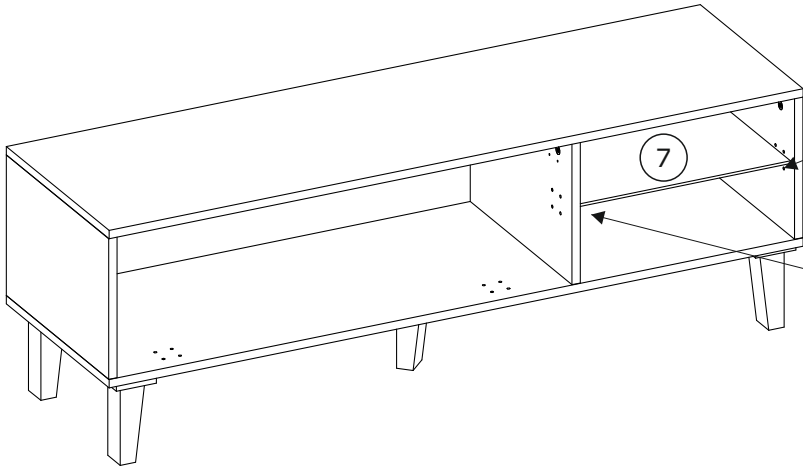
6



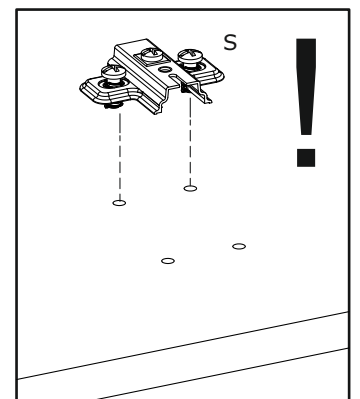
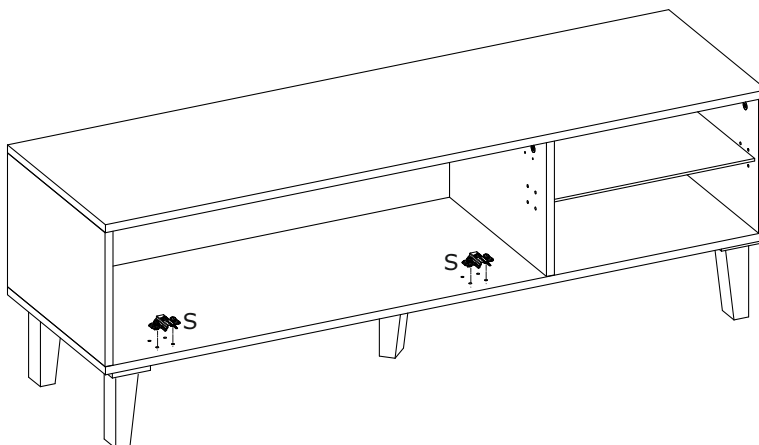
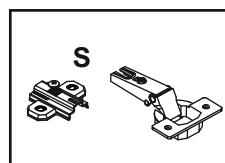
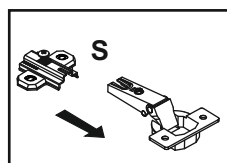
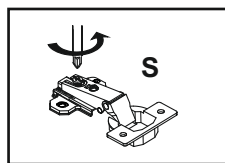
7



8

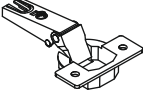

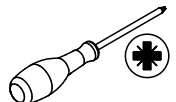


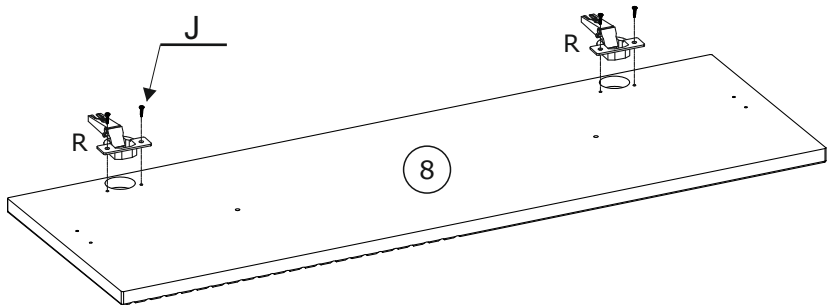
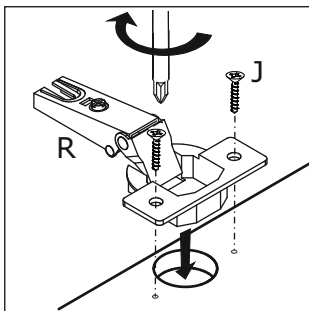
9






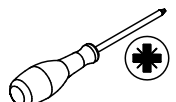


10

R x 2	J x 4		
		3,5x16 mm	



11

X x 2	J x 12	P x 2	
			
	3,5x16 mm		

