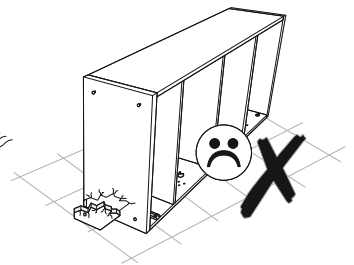
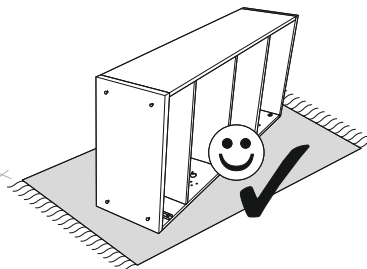
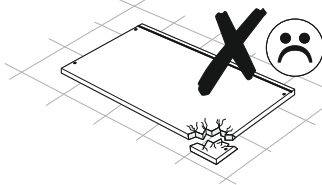
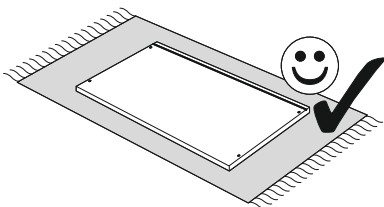
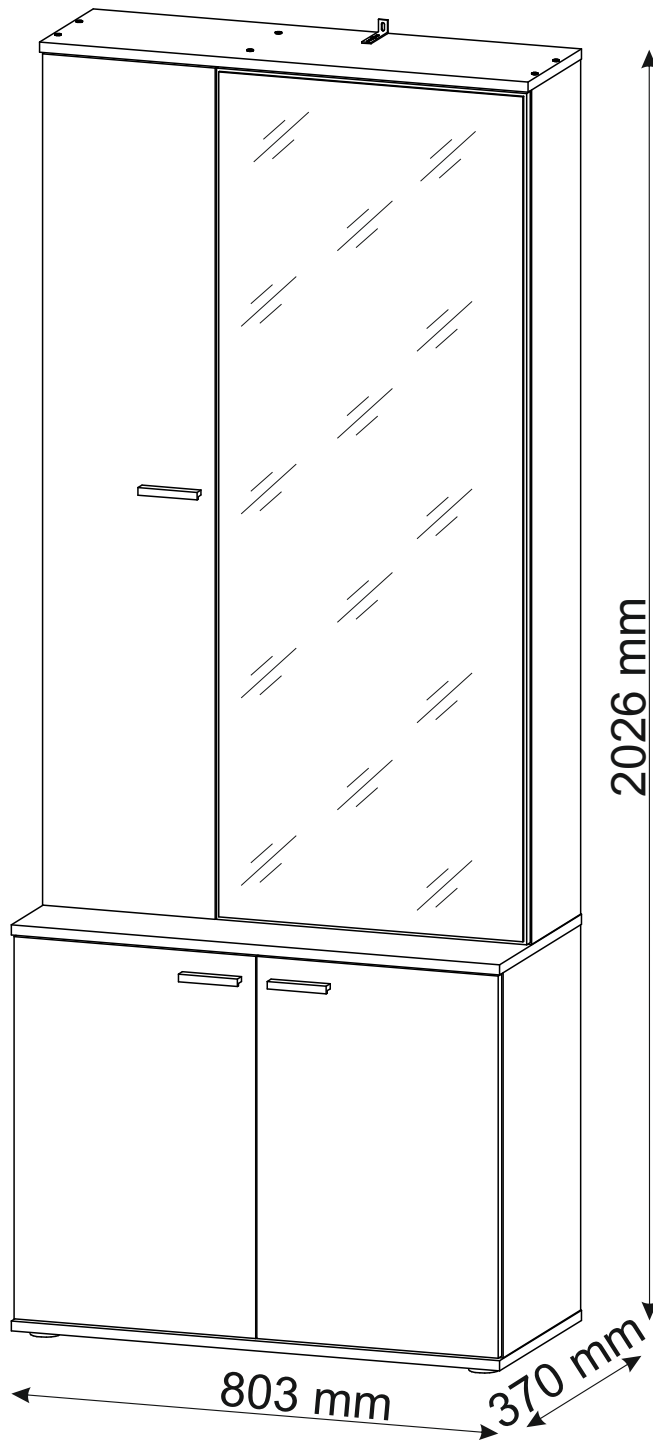
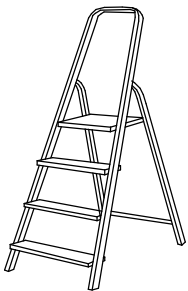
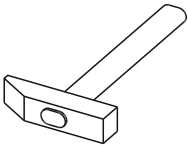
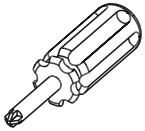
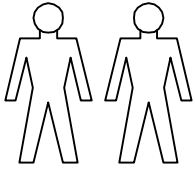
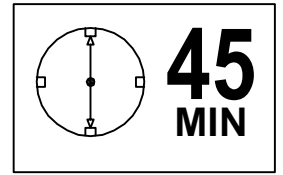
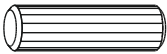








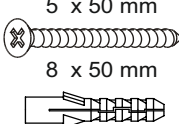
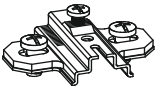
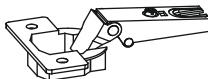
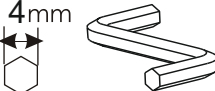
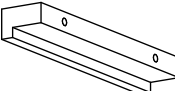


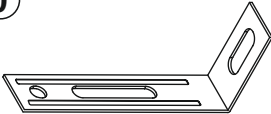
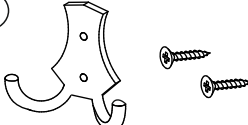





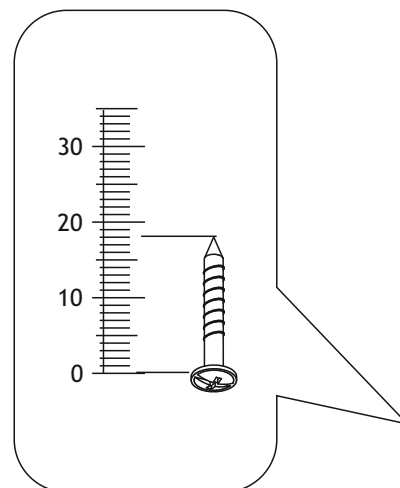
BARCELONA STAND



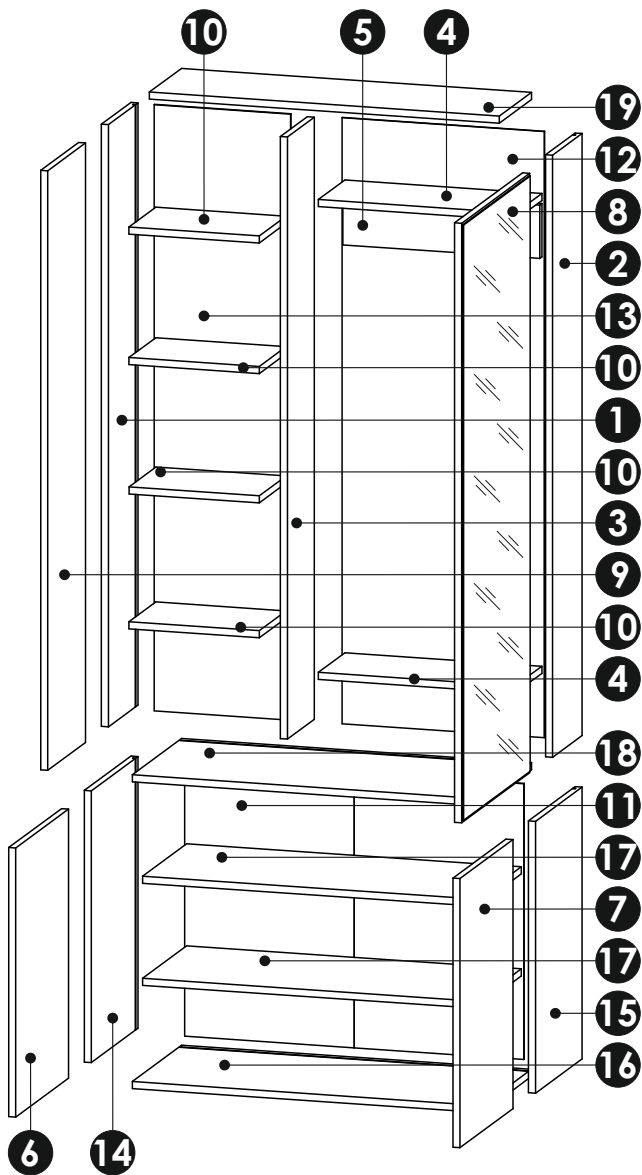
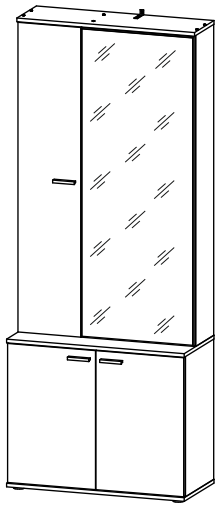
BARCELONA STAND


MM

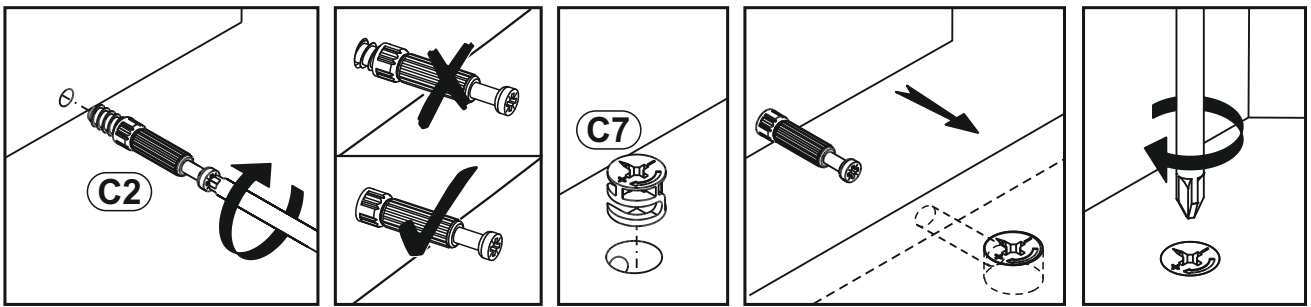
<p>A0 8 x 30mm x14</p> 	<p>B1 f 7 x 50 mm x16</p> 	<p>C0 x12</p> 
<p>C2 x14</p> 	<p>C7 x14</p> <p>16mm</p> 	<p>D0 3 x 15 mm x37</p> 
<p>D7 3,5 x 27 mm x6</p> 	<p>D10 4 x 16 mm x22</p> 	<p>D21 5 x 13 mm x1</p> 
<p>E0 5 x 50 mm x1 8 x 50 mm</p> 	<p>J6 x11</p> 	<p>J8 x11</p> 
<p>K 4mm x1</p> 	<p>L1 x3</p> 	<p>M1 x32</p> 
<p>M3 x5</p> 	<p>P0 x1</p> 	<p>P18 x2</p> 
<p>Q3 x24</p> 	<p>T11 x5</p> 	<p>U0 x8</p> 



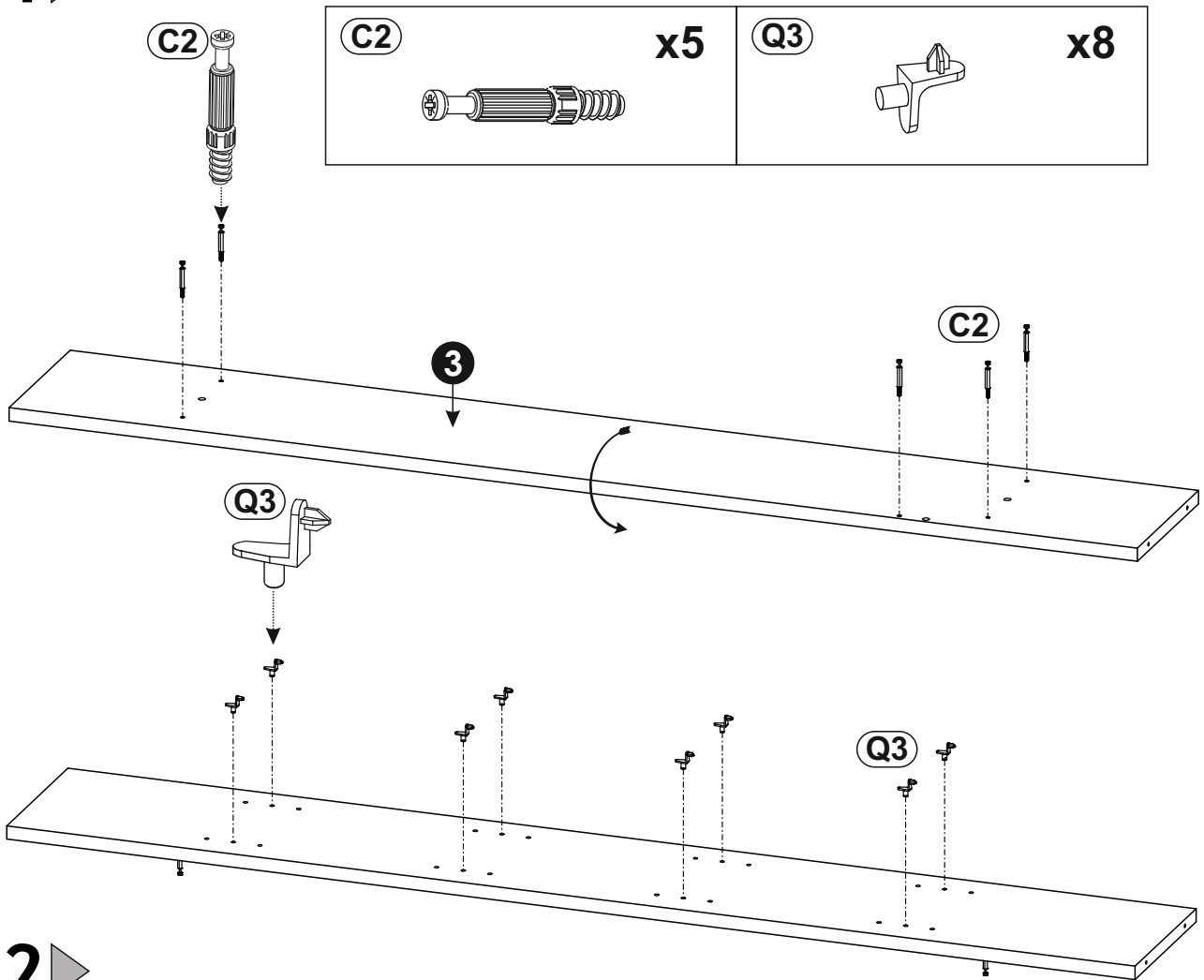
BARCELONA STAND



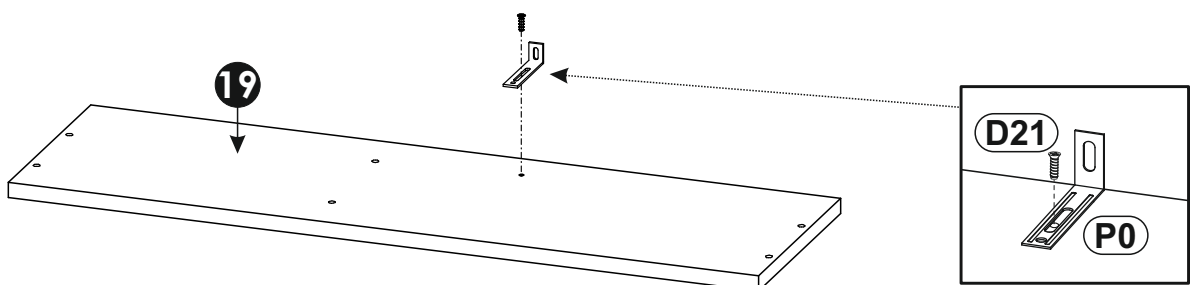
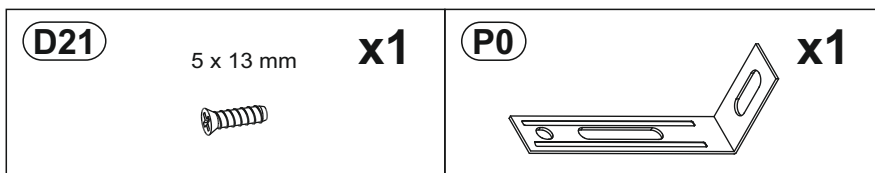
1	1356	222	16	x1	1/3
2	1356	222	16	x1	1/3
3	1356	202	16	x1	1/3
4	452	200	16	x2	1/3
5	452	120	16	x1	1/3
6	606	397	16	x1	2/3
7	606	397	16	x1	2/3
8	1350	510	20	x1	2/3
9	1350	284	16	x1	2/3
10	299	202	16	x4	2/3
11	621	778	3	x1	2/3
12	1365	464	3	x1	2/3
13	1365	313	3	x1	2/3
14	612	350	16	x1	3/3
15	612	350	16	x1	3/3
16	803	370	16	x1	3/3
17	768	330	16	x2	3/3
18	803	370	16	x1	3/3
19	803	242	16	x1	3/3
					3/3



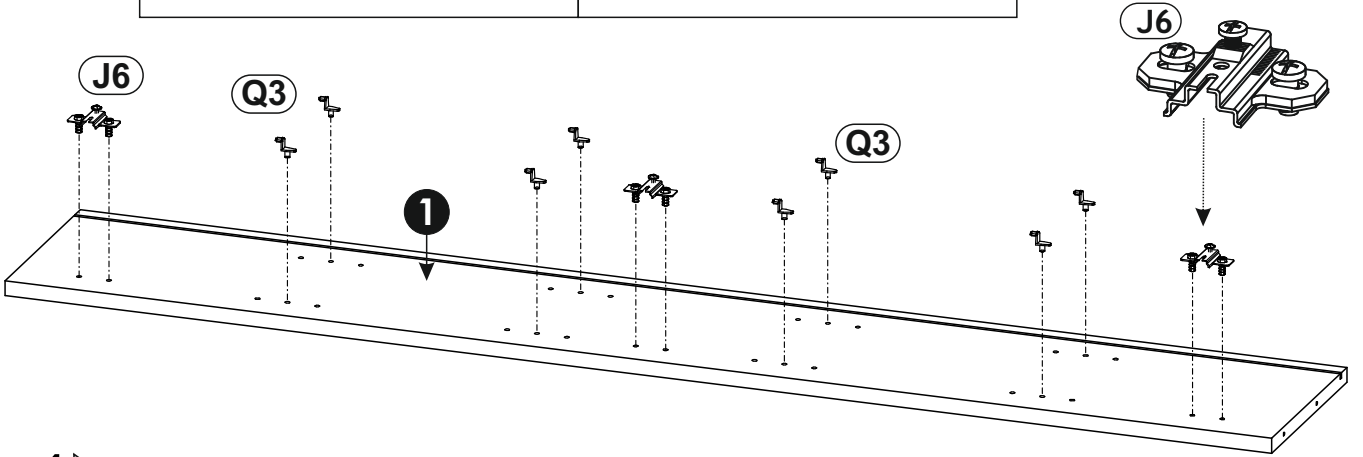
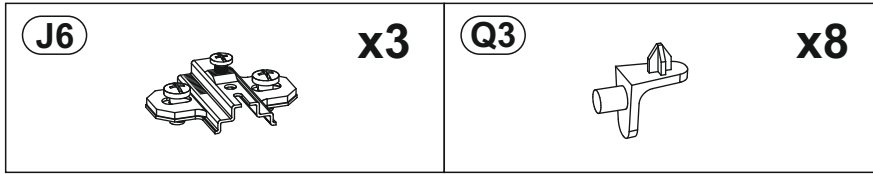
1 ▶



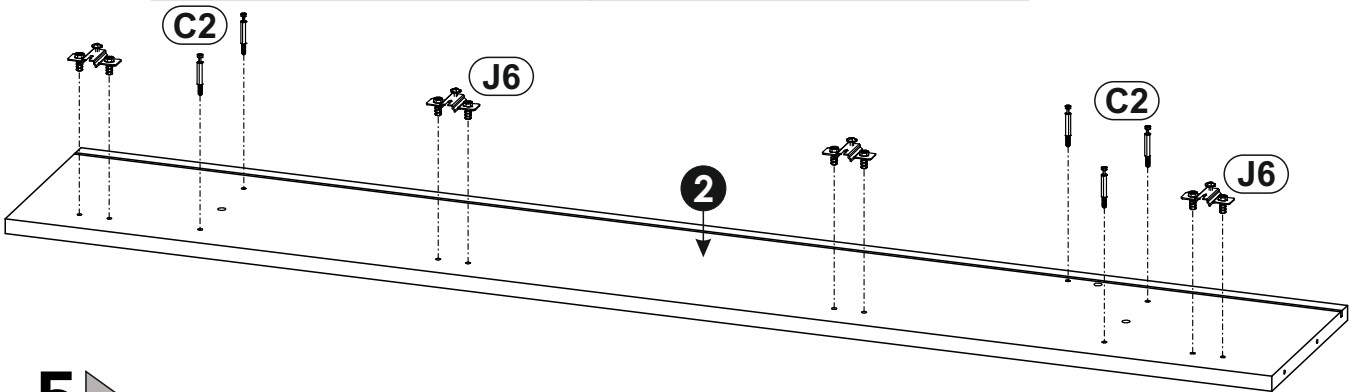
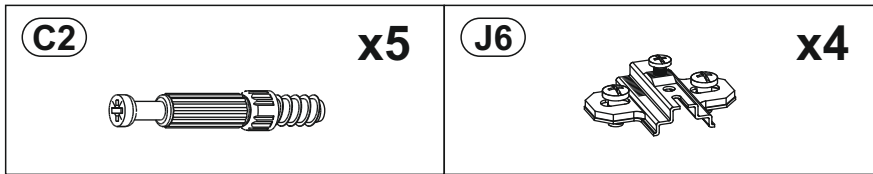
2 ▶



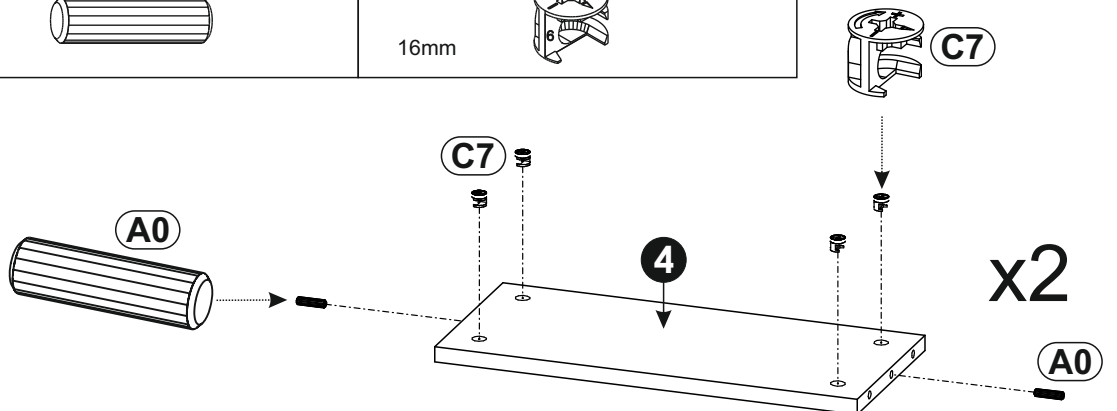
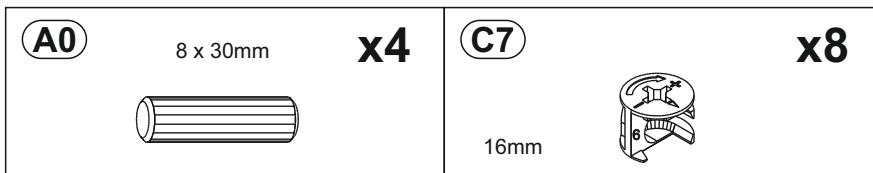
3 ▶





4 ▶

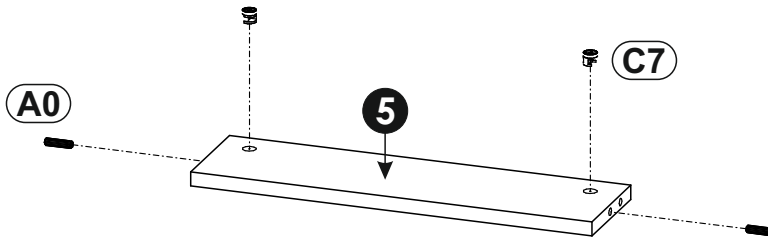


5 ▶

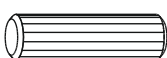

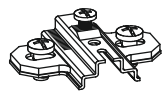


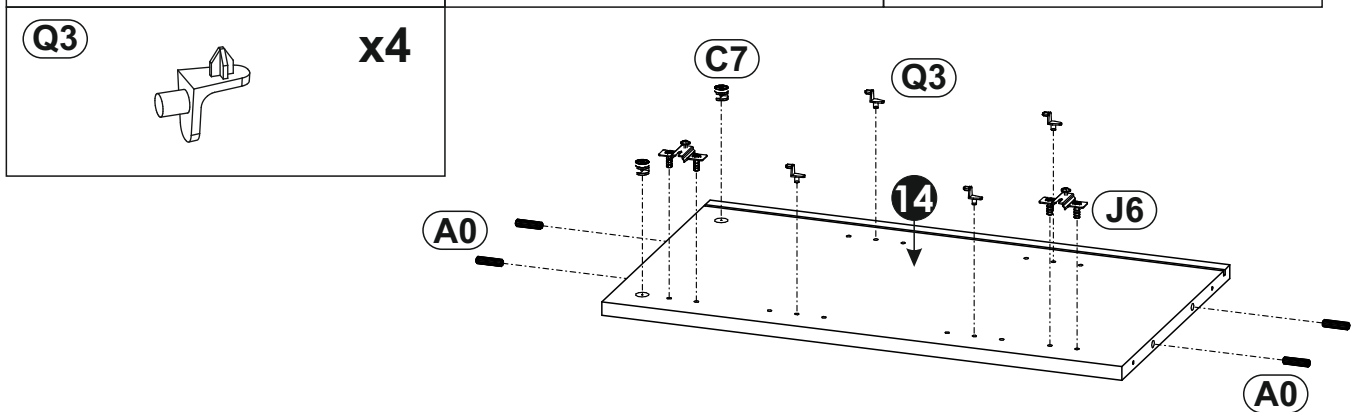
6 ▶

A0	8 x 30mm	x2	C7	x2
			16mm 	



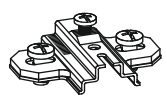


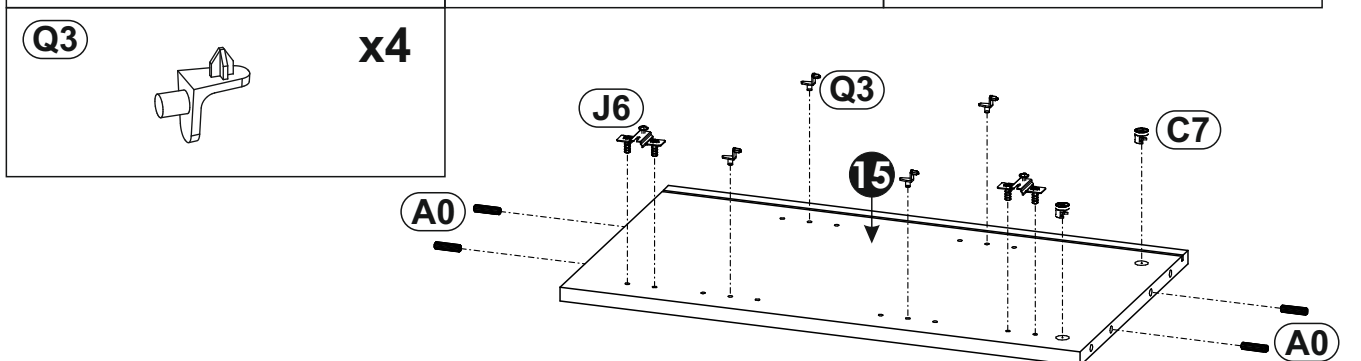
7 ▶

A0	8 x 30mm	x4	C7	x2	J6	x2
			16mm 			

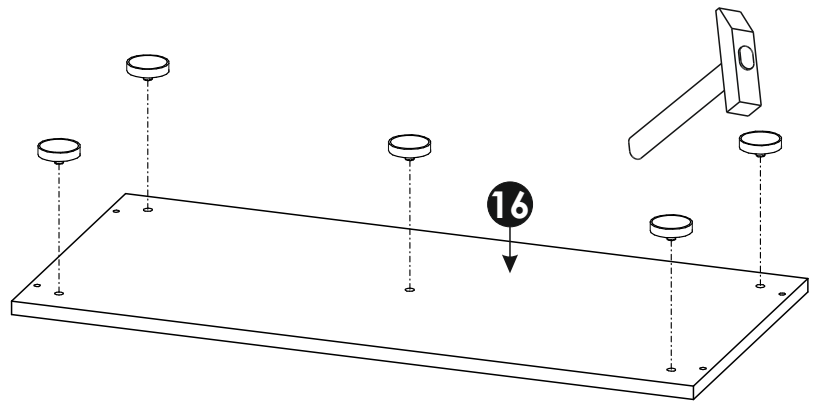
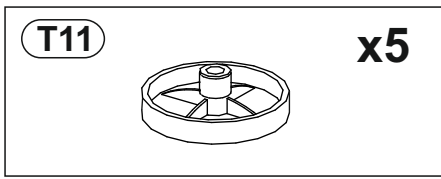


8 ▶

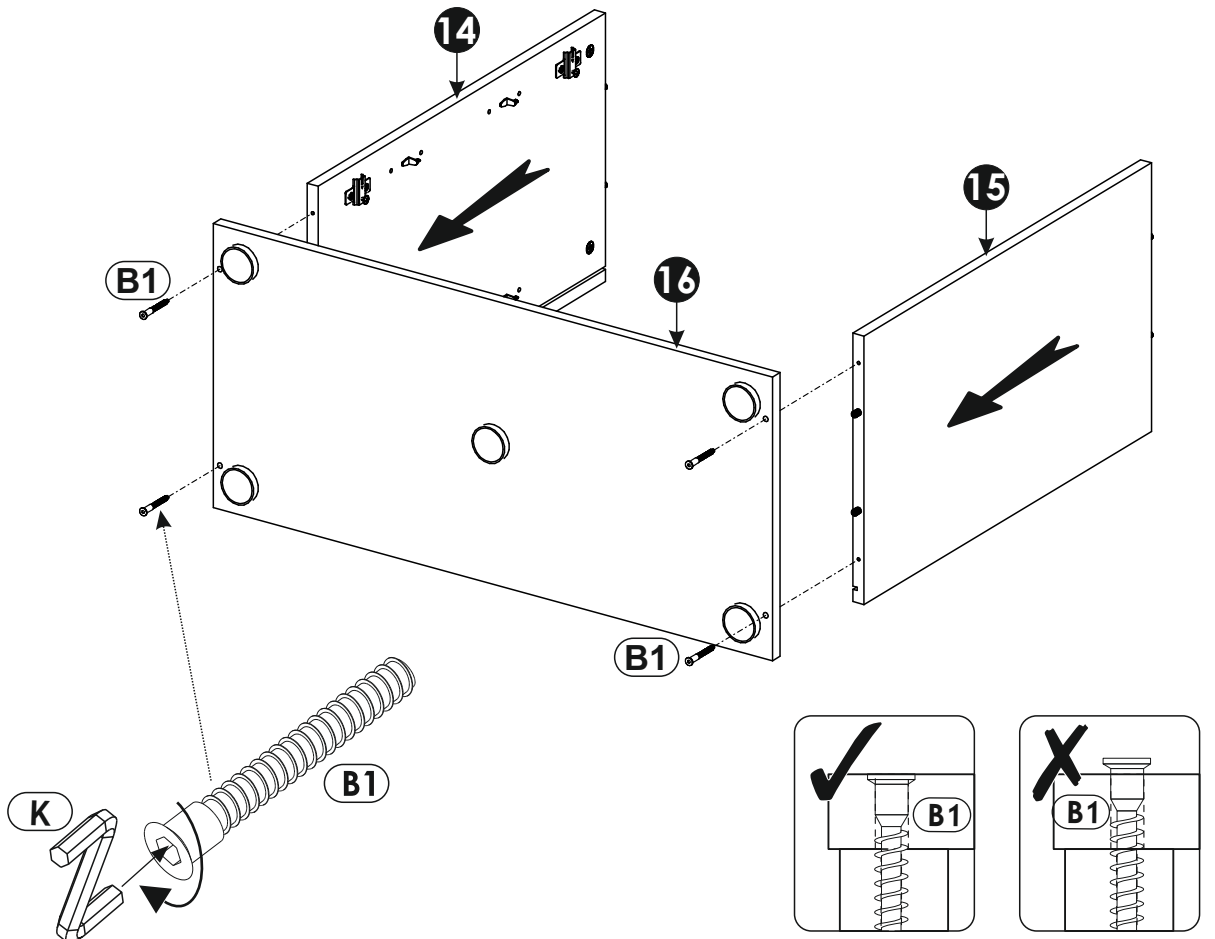
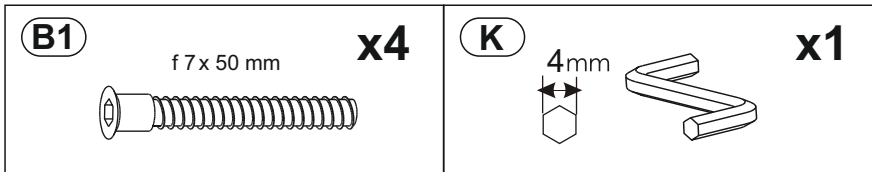
A0	8 x 30mm	x4	C7	x2	J6	x2
			16mm 			



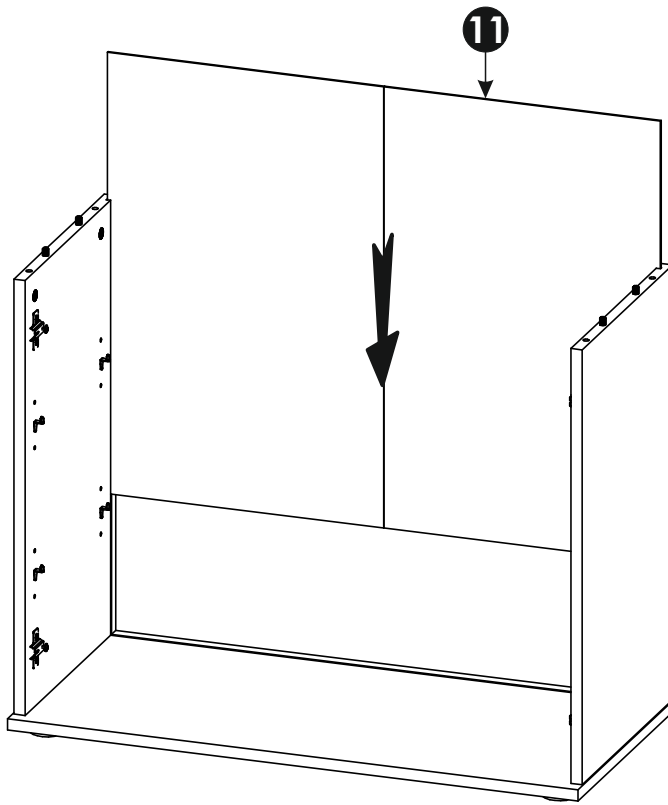
9 ▶



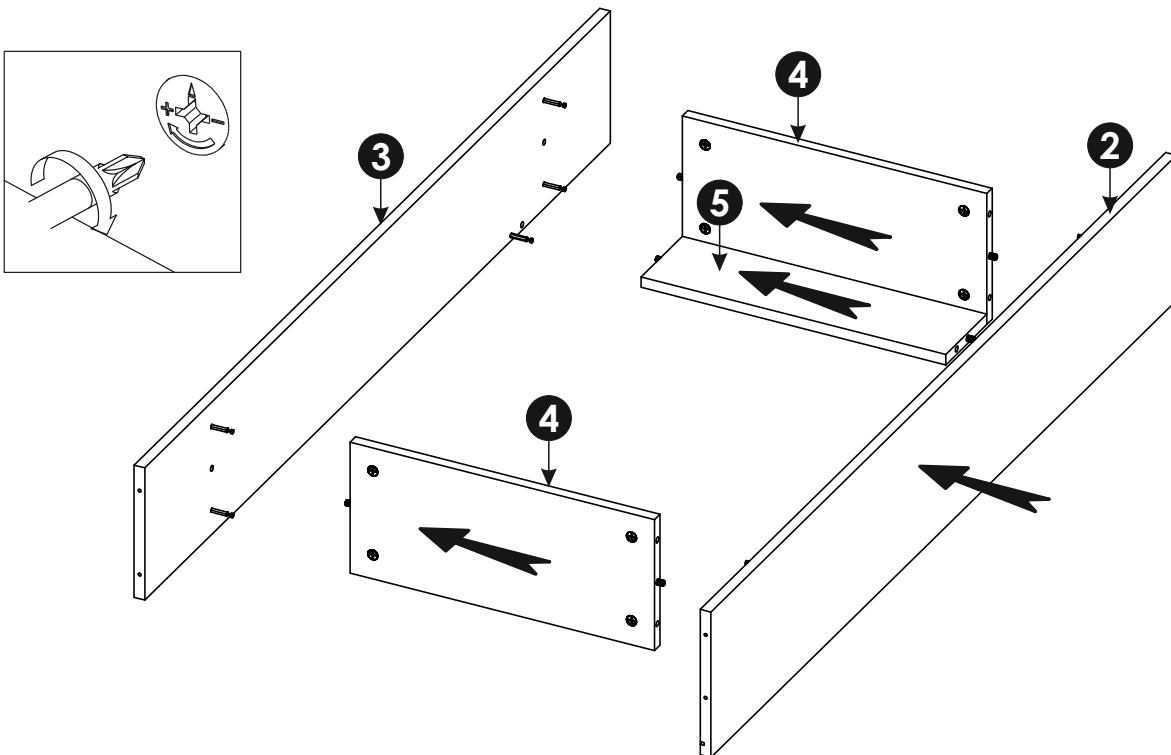
10 ▶



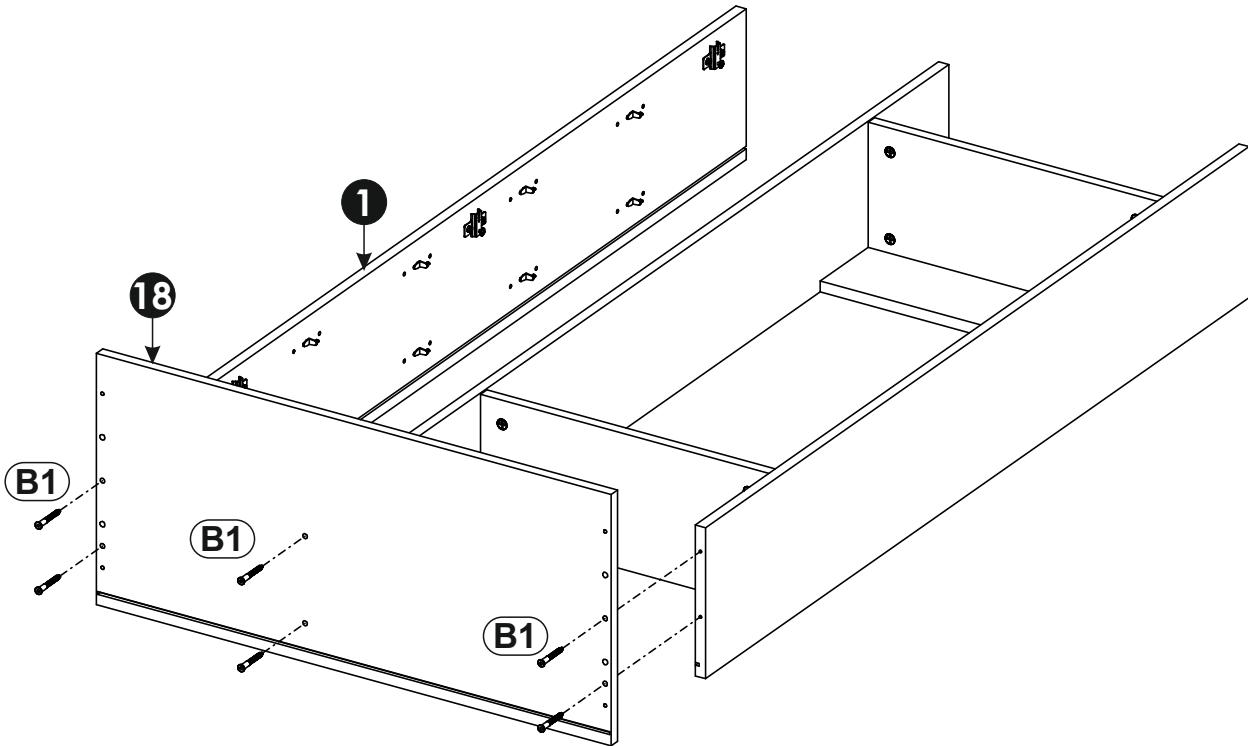
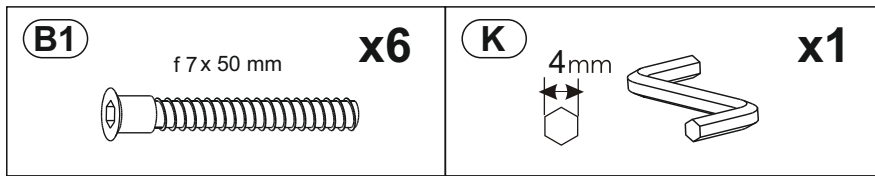
11 ▶



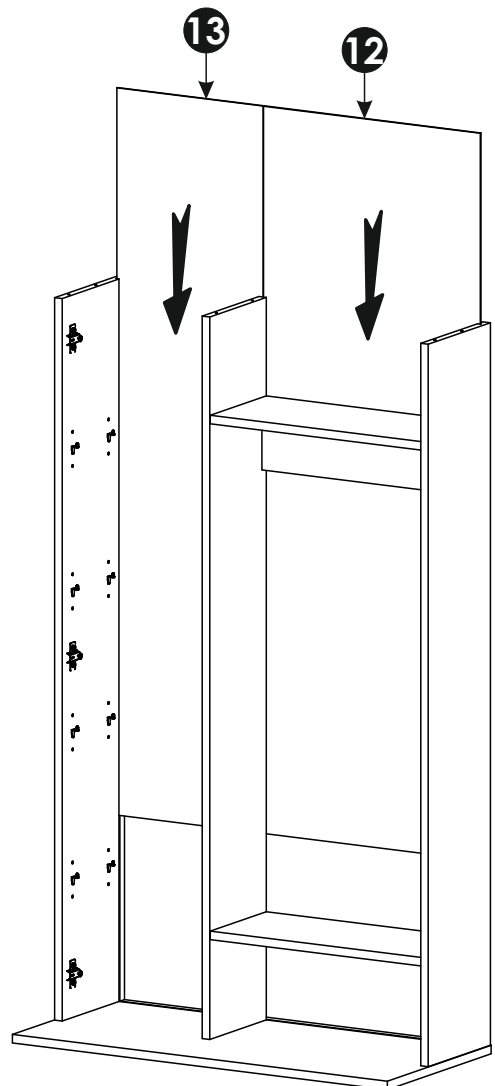
12 ▶



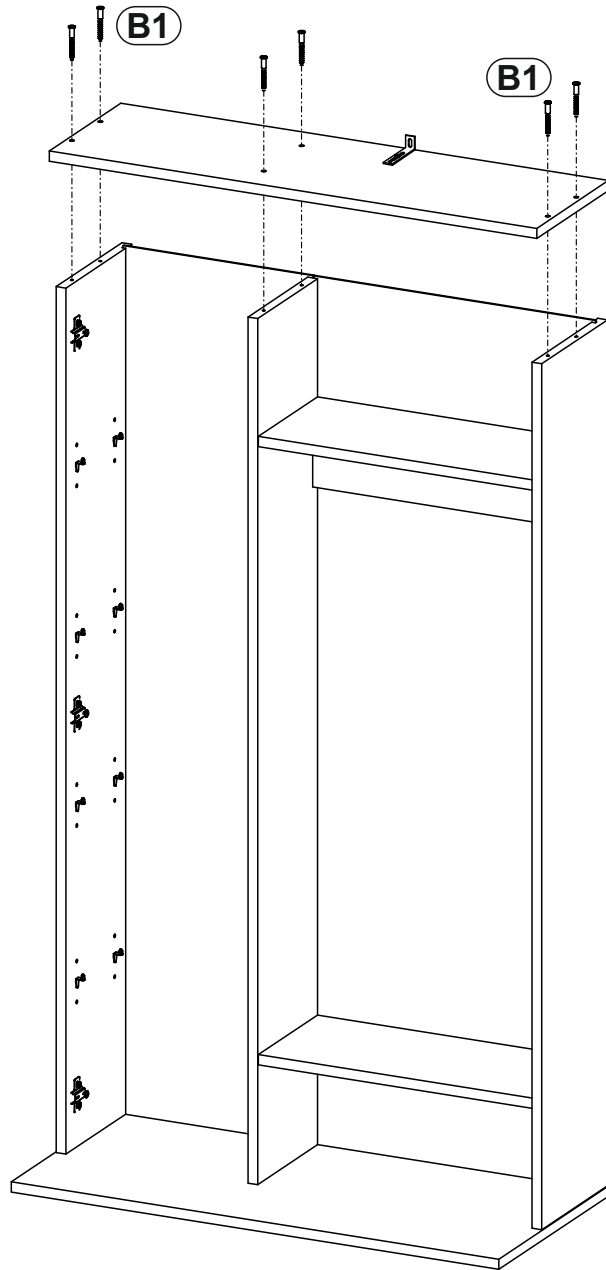
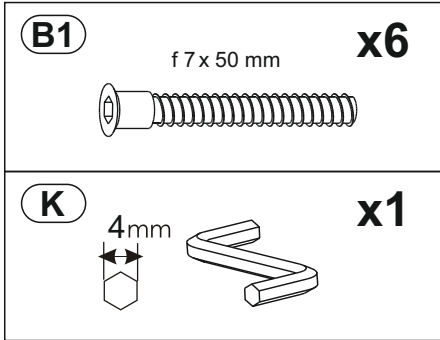
13 ▶



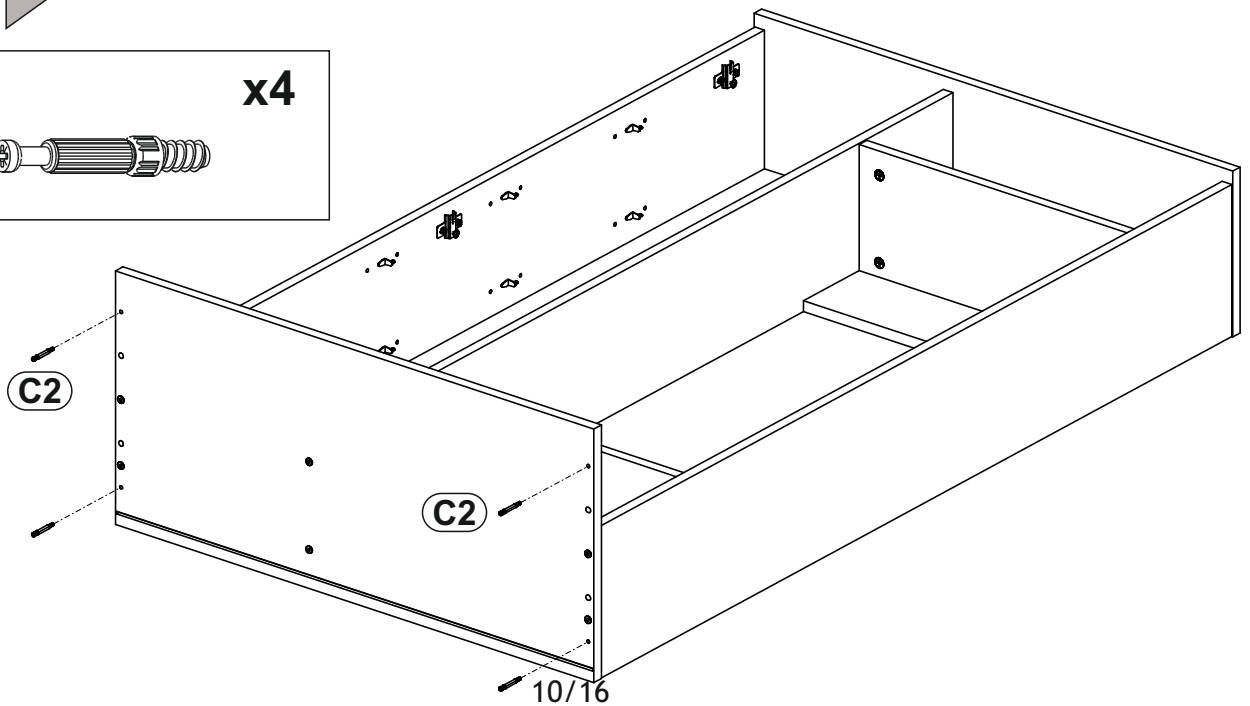
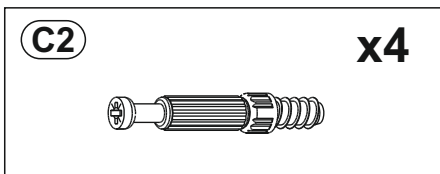
14 ▶



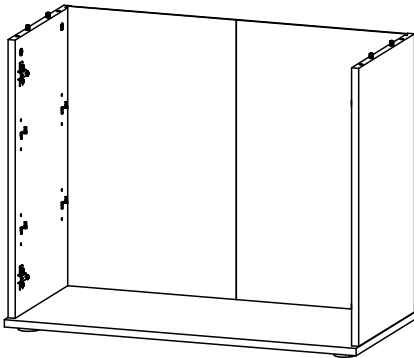
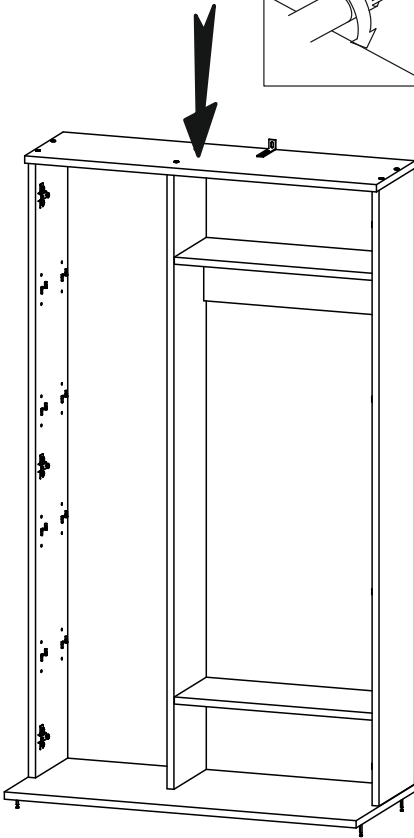
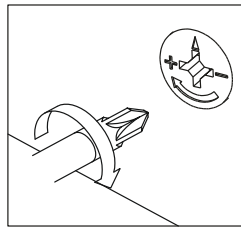
15 ▶



16 ▶

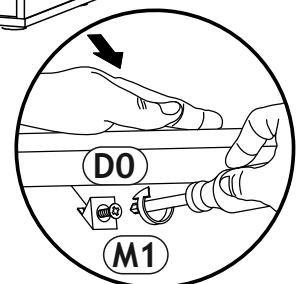
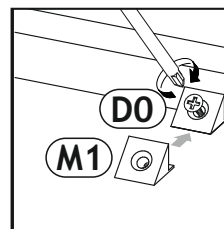
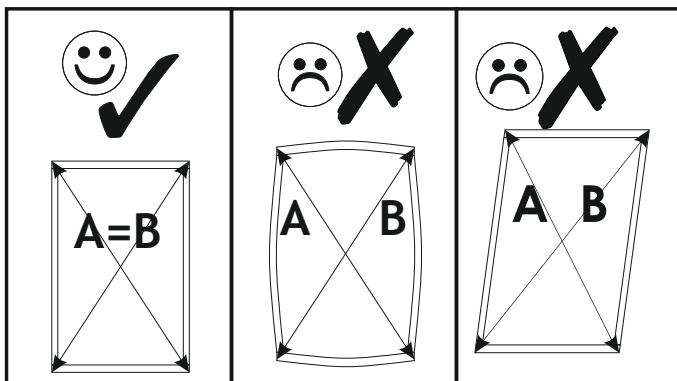
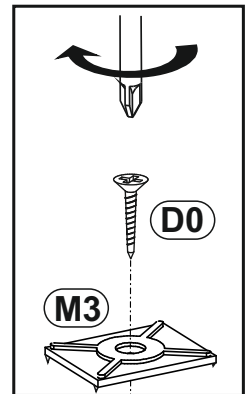
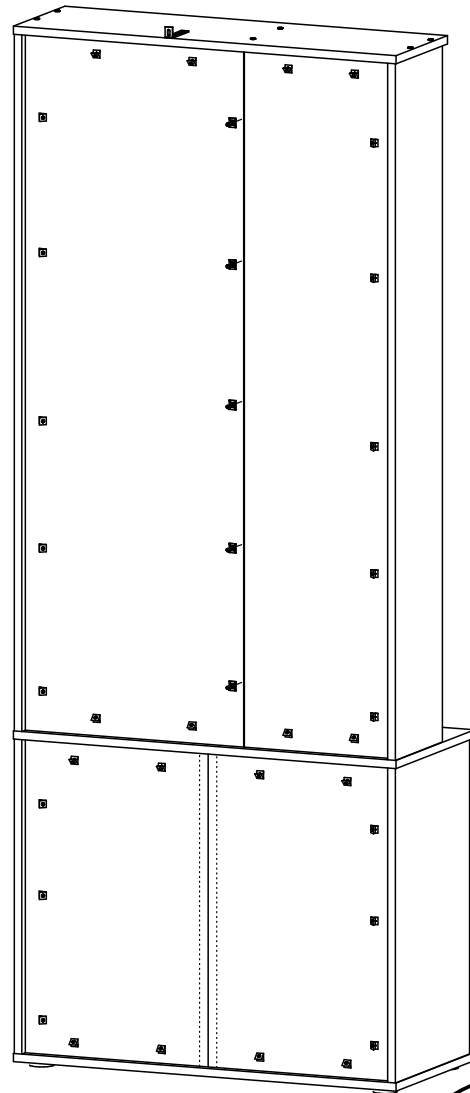


17 ▶

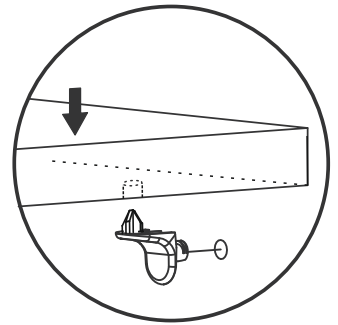
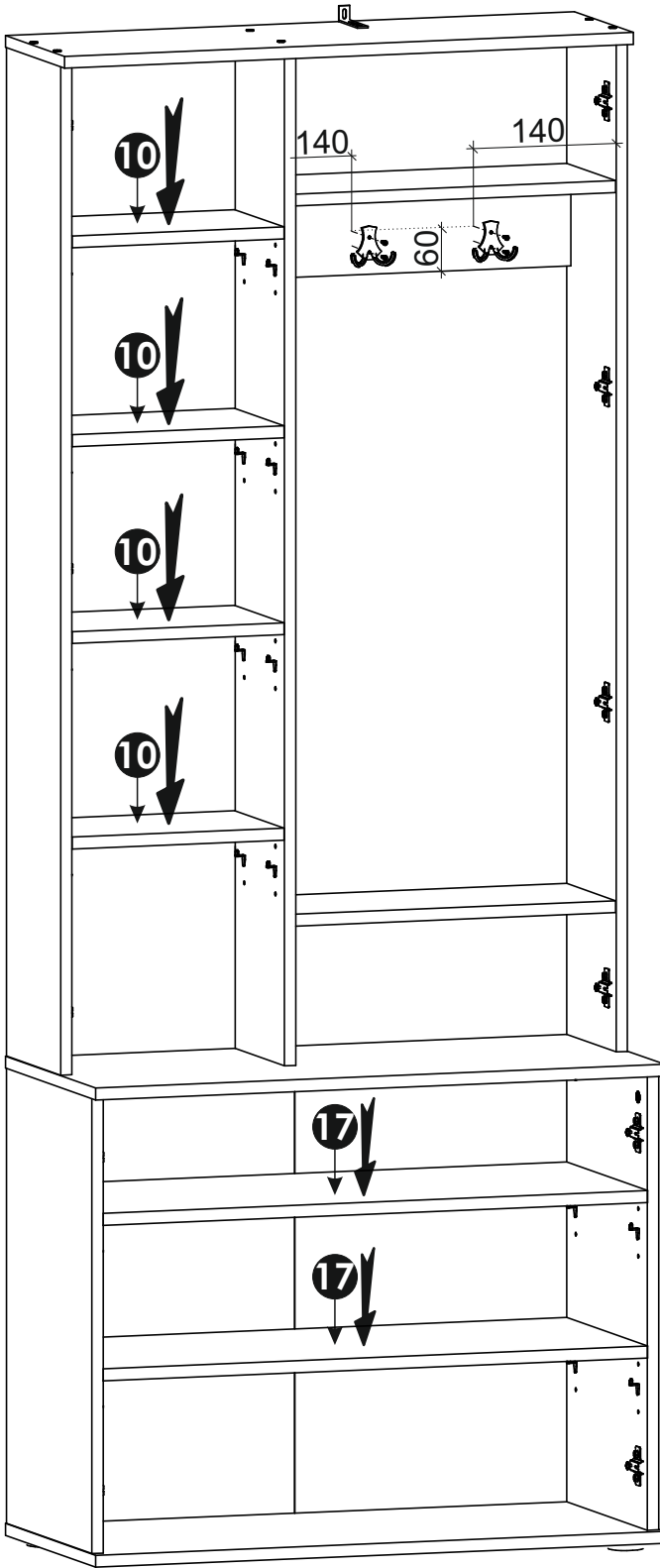
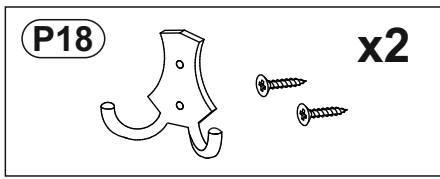


18 ▶

(D0)	3 x 15 mm	x37
(M1)		x32
(M3)		x5

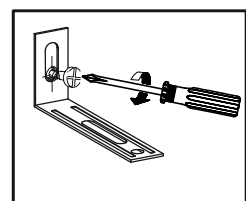
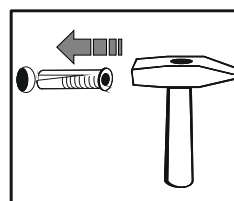
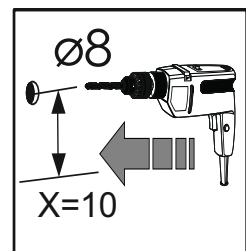
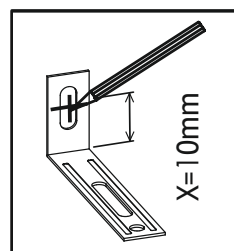
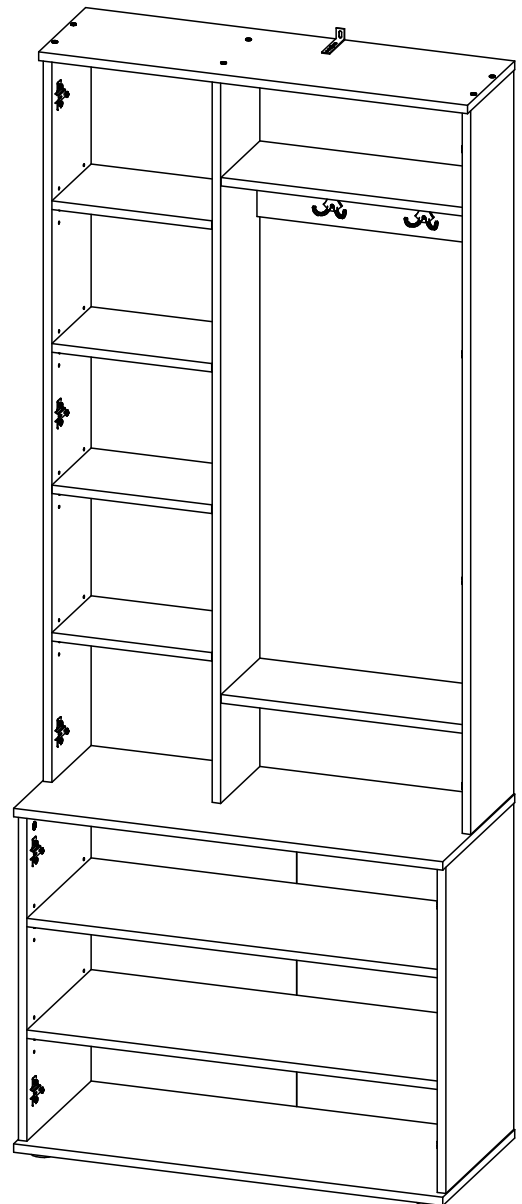
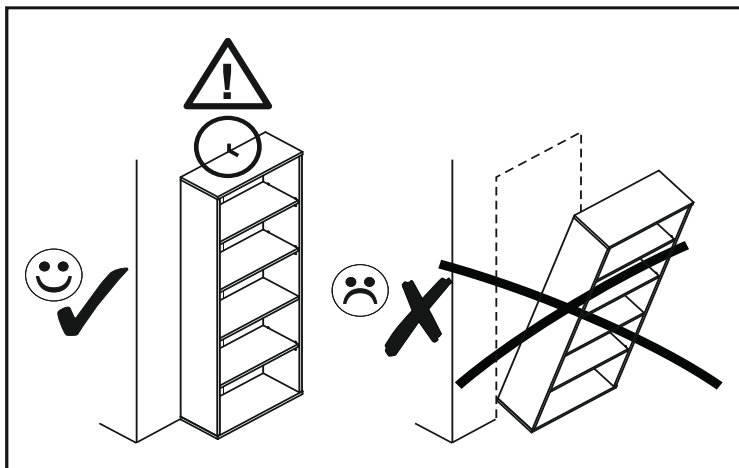
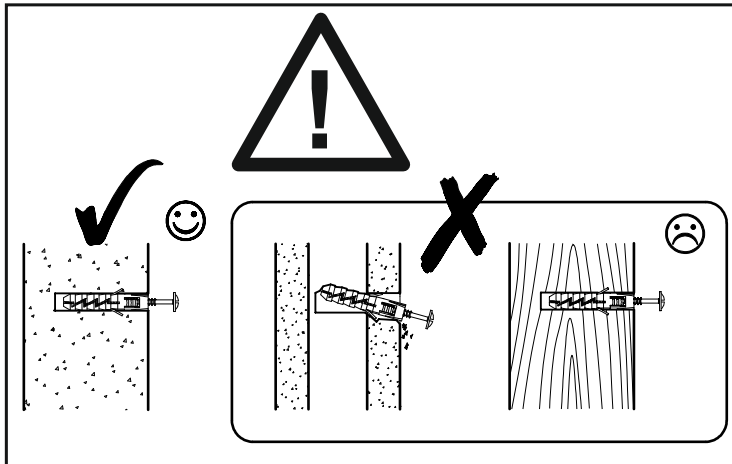


19 ▶

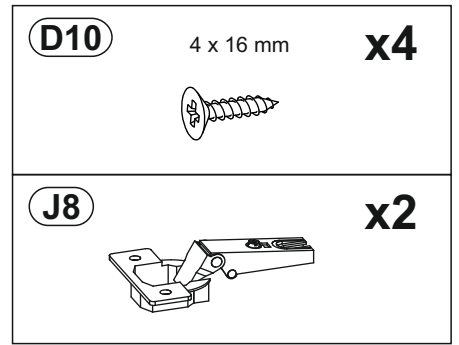
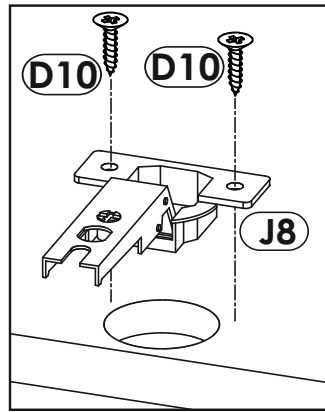
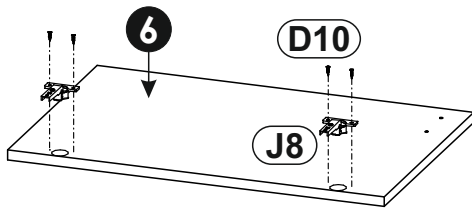


20 ▶

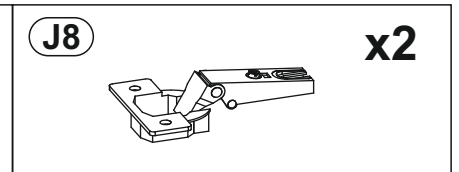
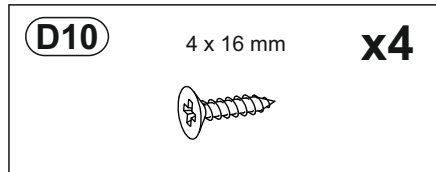
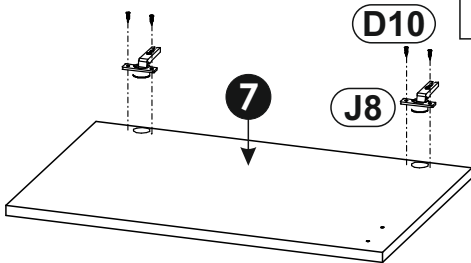
E0 5 x 50 mm **x1**
8 x 50 mm



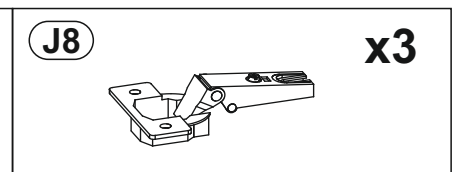
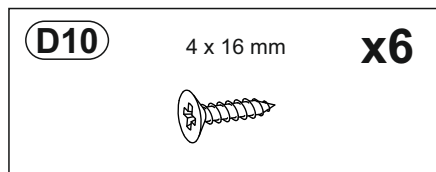
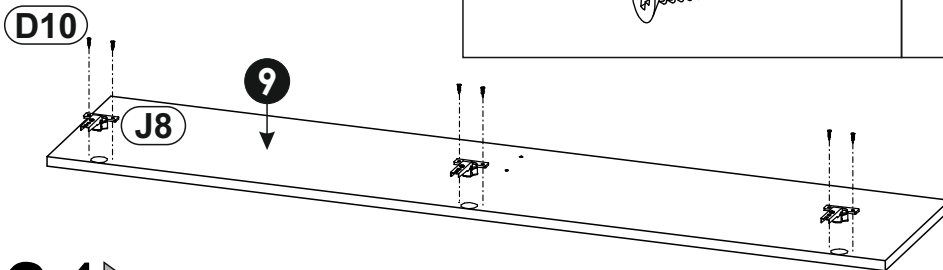
21 ▶



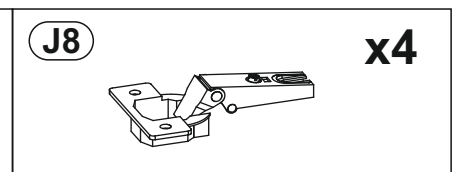
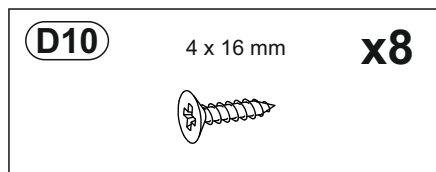
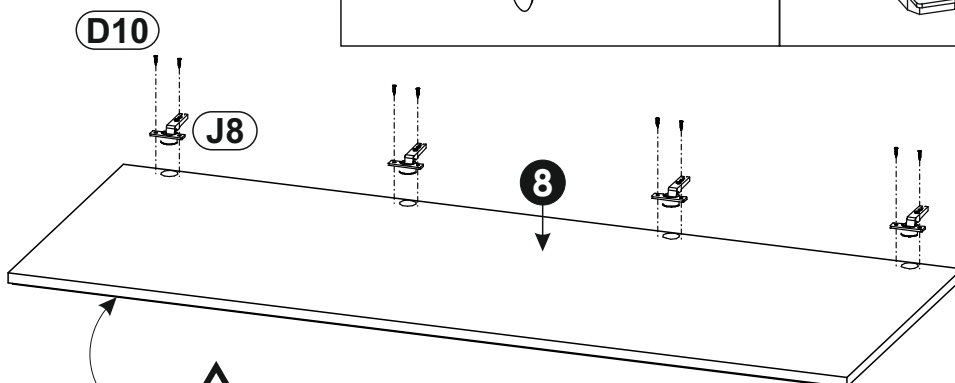
22 ▶



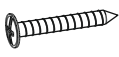
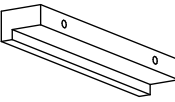
23 ▶

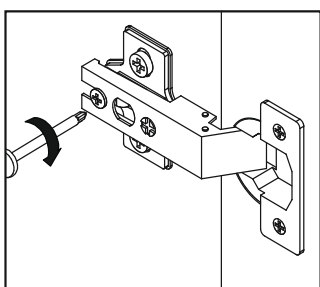
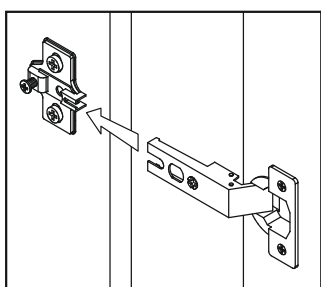
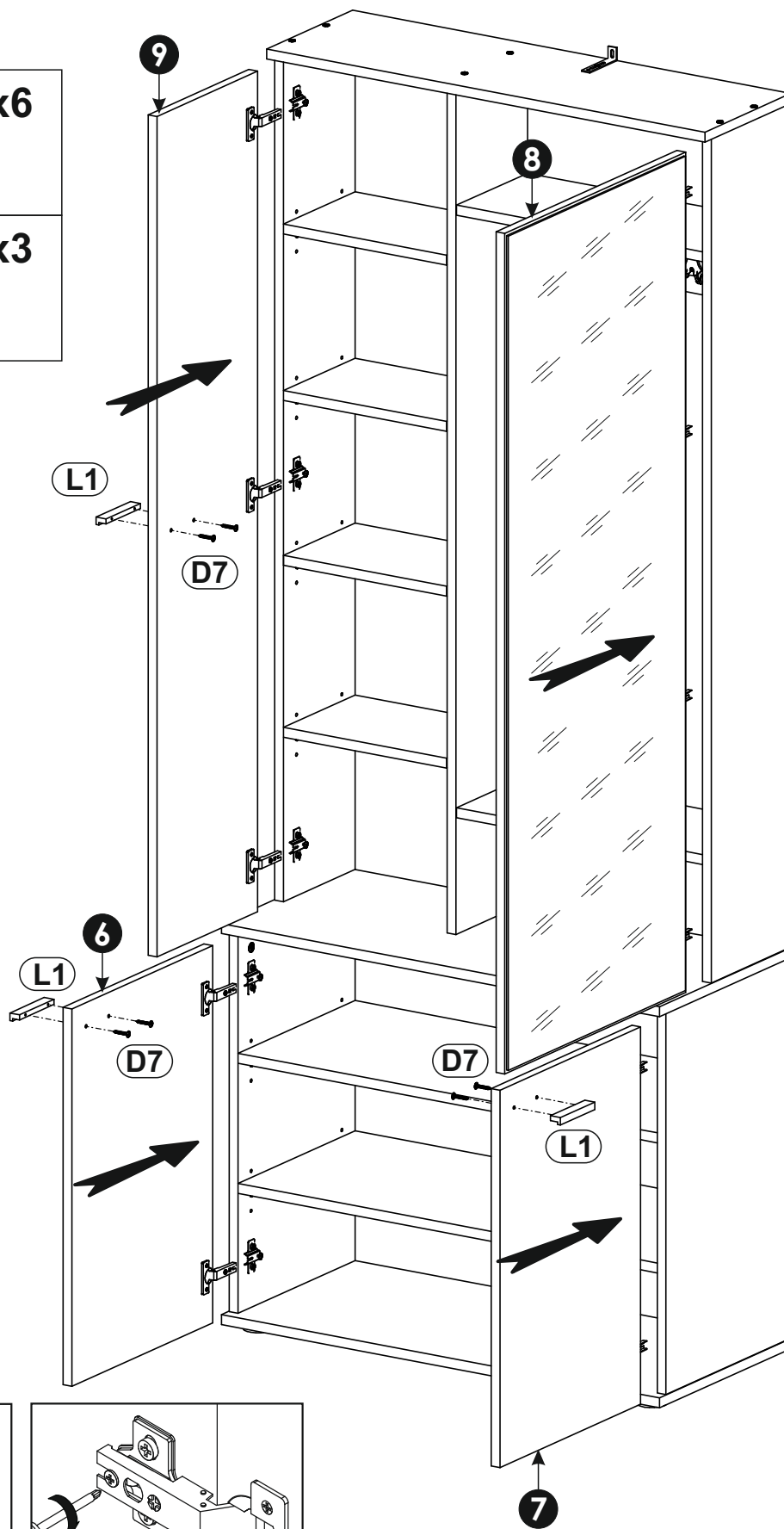
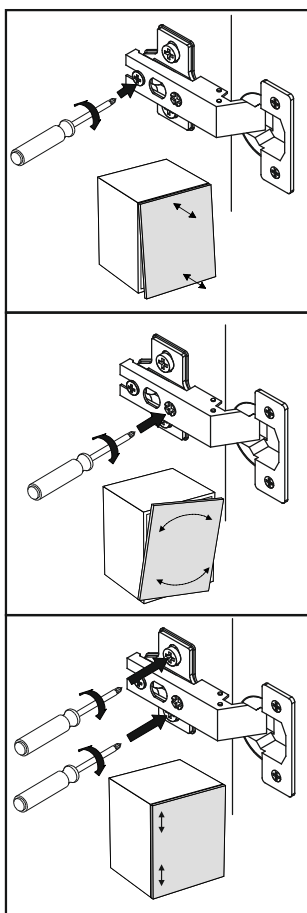


24 ▶



25 ▶

(D7)	3,5 x 27 mm	x6
		
(L1)		x3
		



26 ▶

