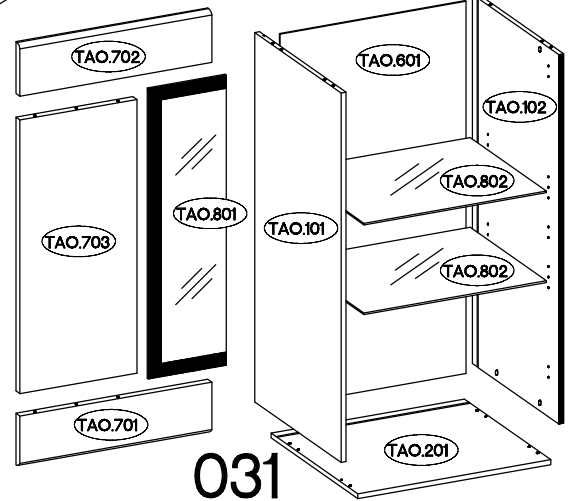
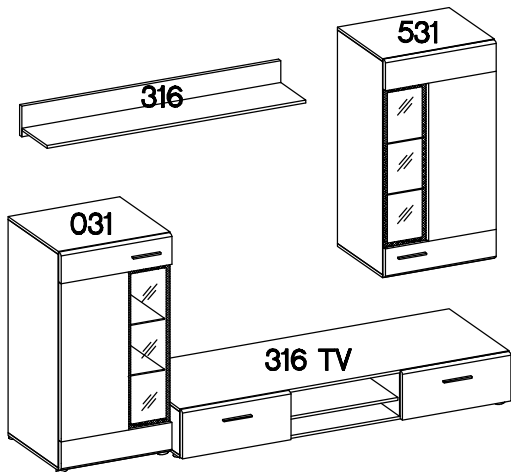
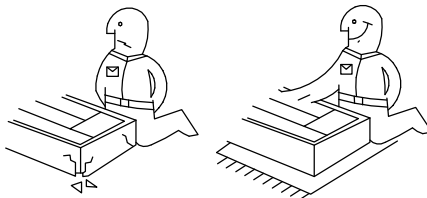
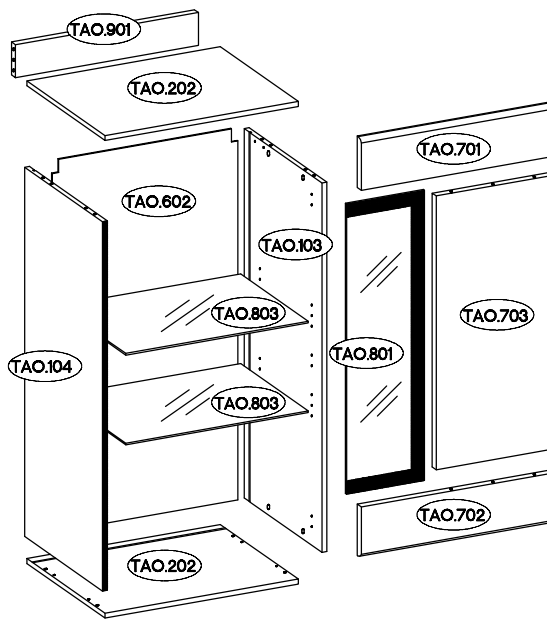
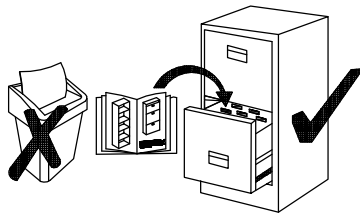
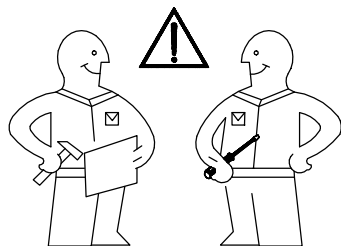


TANGO

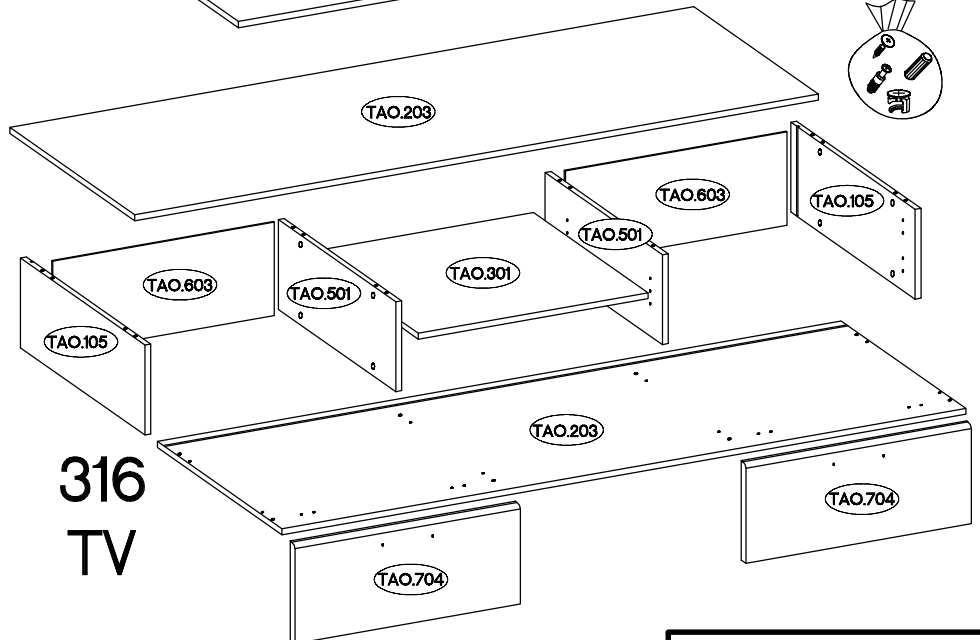
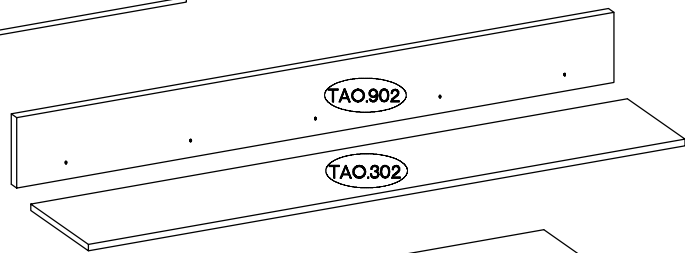


031



531

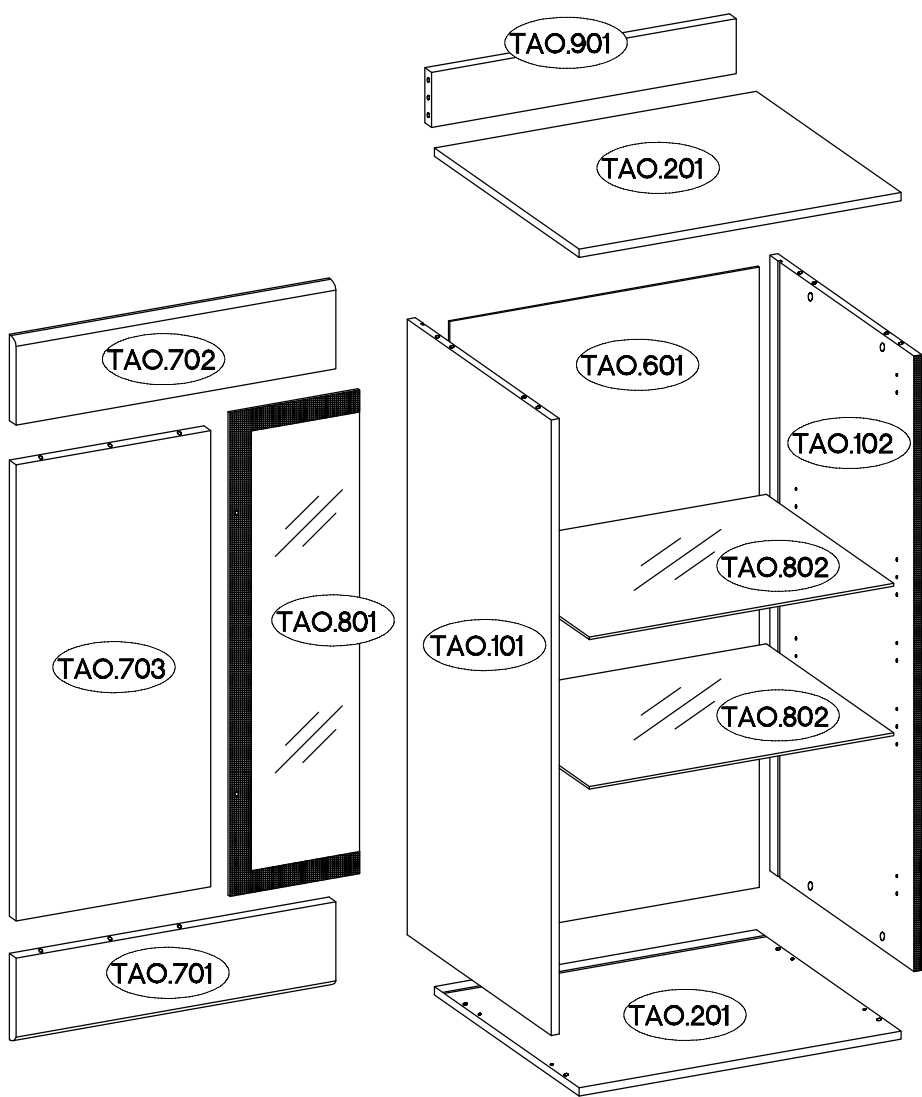
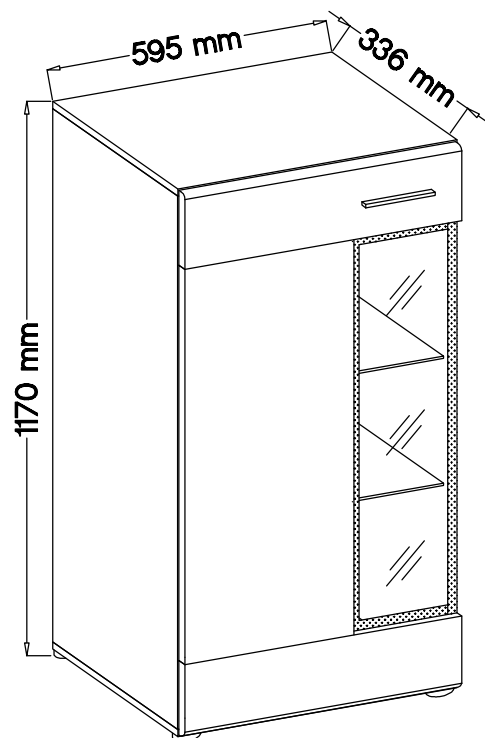
316





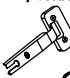




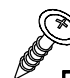

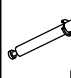








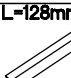




316
TV

Coli	Typ	Ersatzteil Nummer	Dimension	
1/2	031	TAO.101	1120x320x15	
		TAO.102	1120x320x15	
		TAO.201 x2	595x321x15	
		TAO.702 x2	591x157x15	
	531	TAO.103	1120x288x15	
		TAO.104	1120x288x15	
		TAO.202 x2	595x289x15	
		TAO.701 x2	591x157x15	
	031 531	TAO.801 x2	880x240x4	
		TAO.802 x2	562x283x5	
		TAO.803 x2	562x251x5	
Coli	Typ	Ersatzteil Nummer	Dimension	
2/2	031	TAO.608	1129x572x3	
		TAO.703	360x830x15	
		TAO.901	563x100x15	
	531	TAO.609	1129x572x3	
		TAO.703	360x830x15	
		TAO.901	563x100x15	
	316 TV	TAO.105 x2	227x384x15	
		TAO.203 x2	1755x385x15	
		TAO.501 x2	227x362x15	
		TAO.301	590x354x15	
		TAO.704 x2	578x251x15	
	316		TAO.603 x2	569x236x3
			TAO.302	1370x160x18
			TAO.902	1380x160x15





TANGO 031

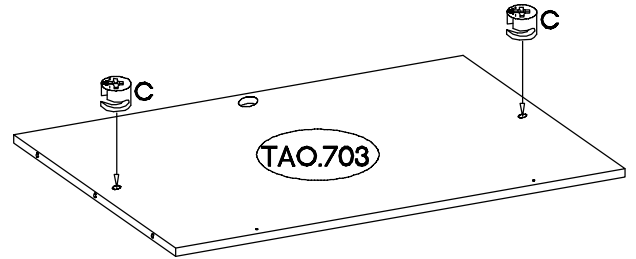
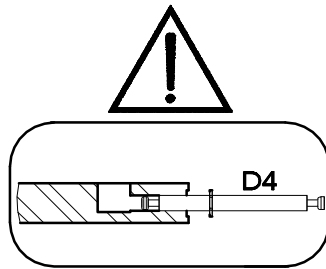
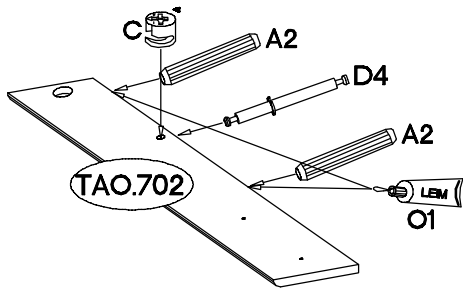
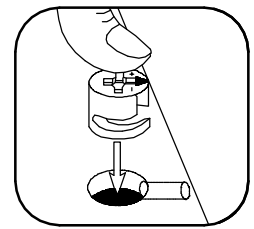
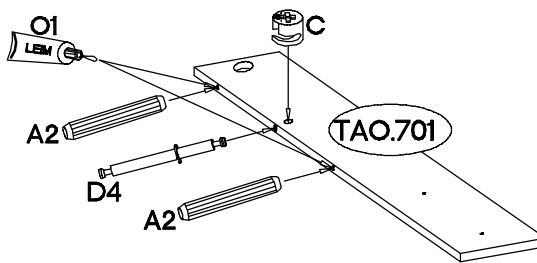


TAO.802 =  max. 2kg


											
3	3	6	4	1	5	2	2	2	8		
											
10	14	12	6	12	4	4	1	2	1	1	1

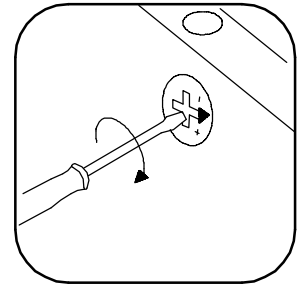
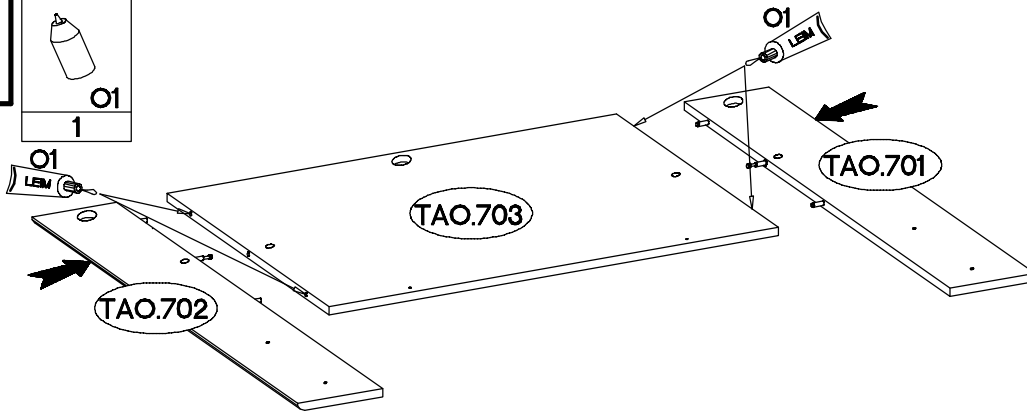
1

$\varnothing 15/12\text{mm}$ 	$\varnothing 8 \times 60\text{mm}$ 		L-56mm 
C 4	A2 4	O1 1	D4 2






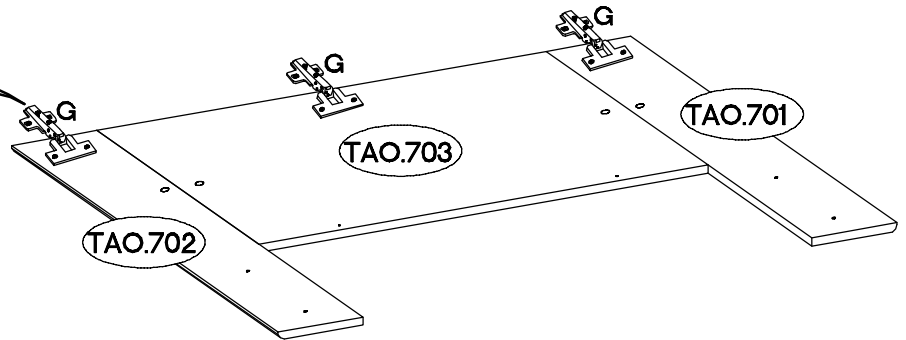
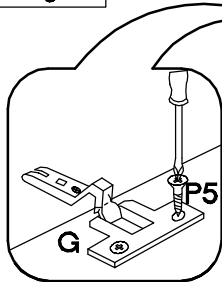
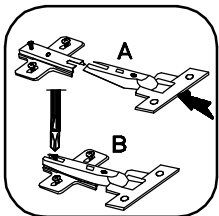
2


O1 1

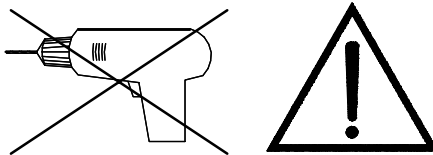
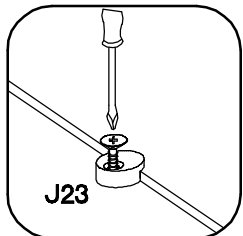




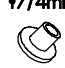
3

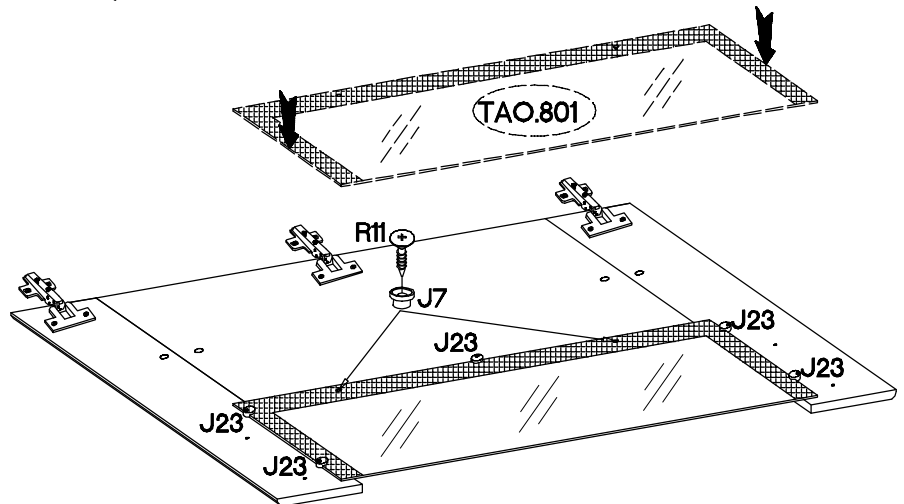
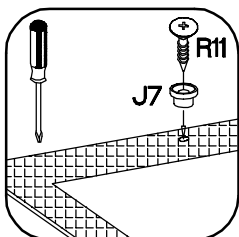
H-0 	$\varnothing 35/0\text{mm}$ 	$\varnothing 3.5 \times 13\text{mm}$ 
H 3	G 3	P5 6








4

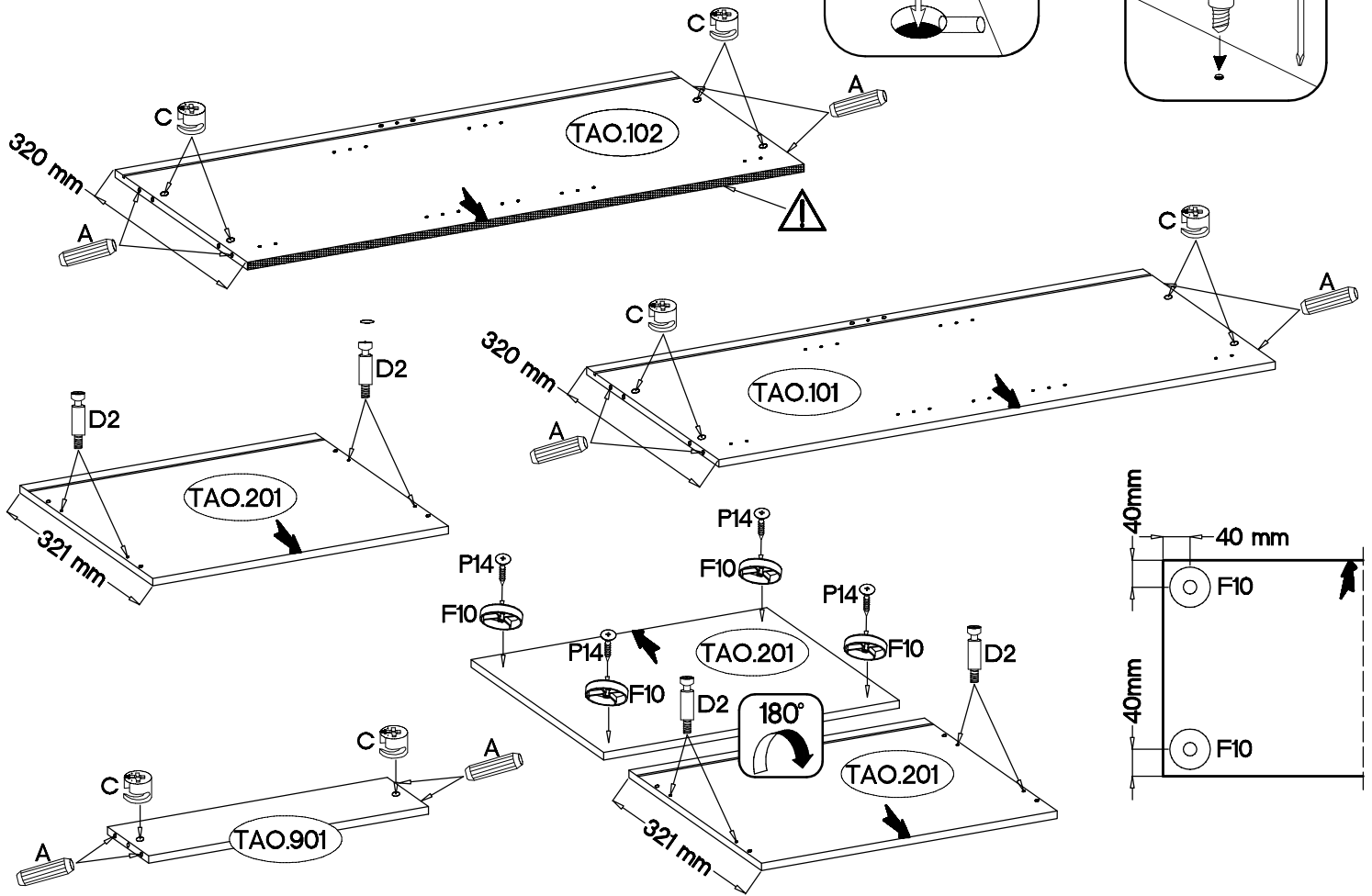
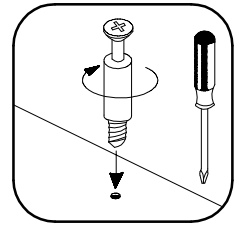
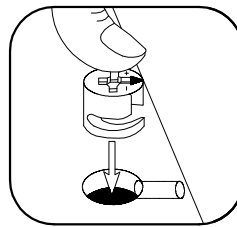


	$\varnothing 4.0 \times 16\text{mm}$ 	$\varnothing 7/4\text{mm}$ 
J23 5	R11 2	J7 2

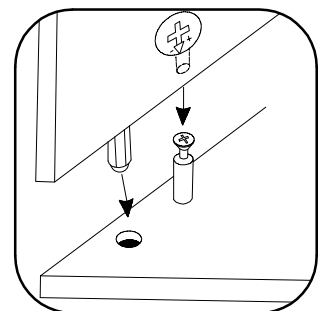
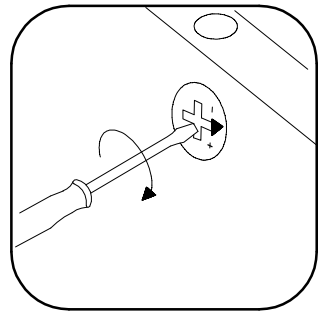
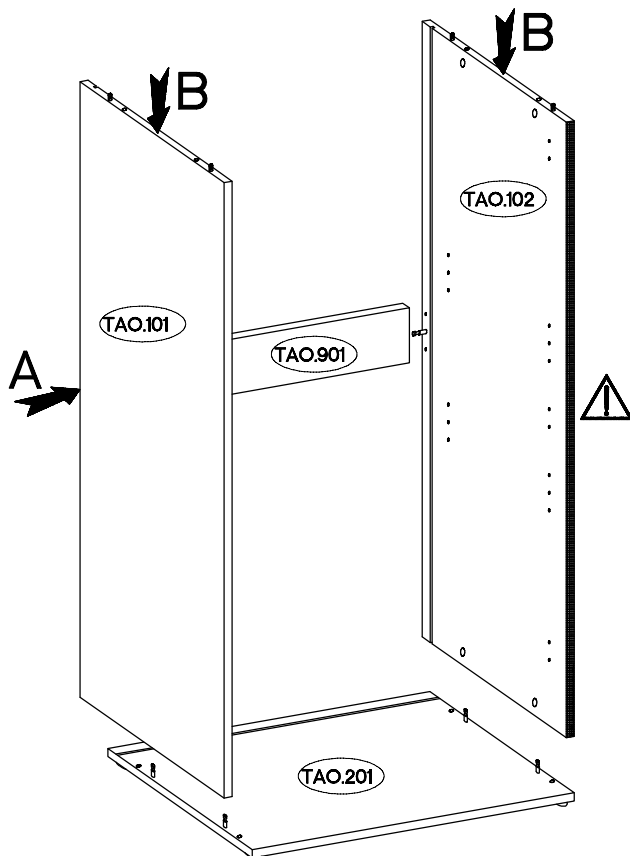


5

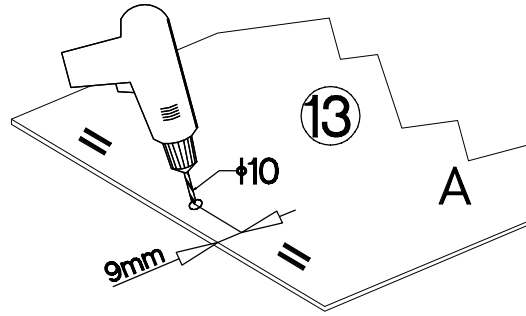
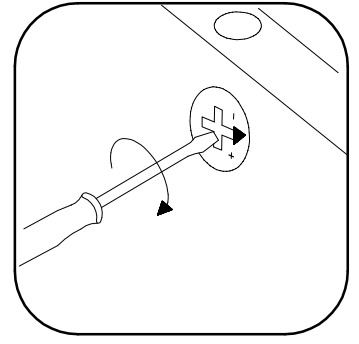
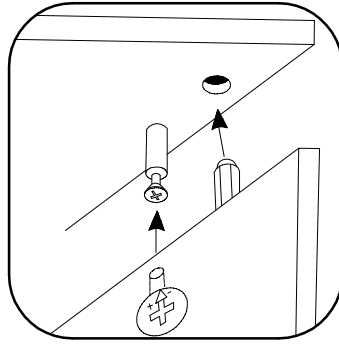
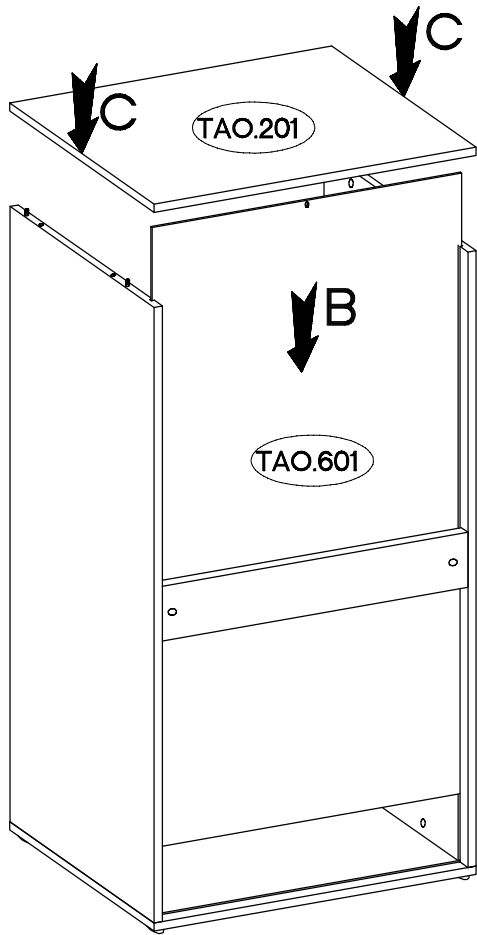
L=20mm  D2 10	#15/12mm  C 10	#8x30mm  A 12	F10  F10 4	#4.0x25mm  P14 4
--	---	--	---	---



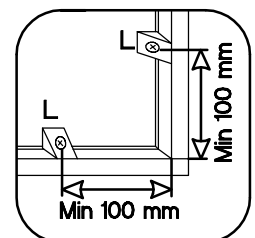
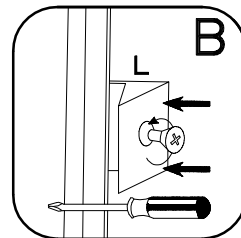
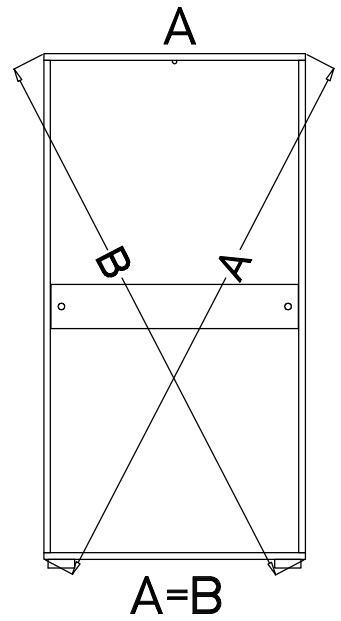
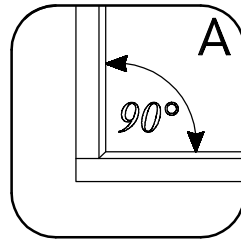
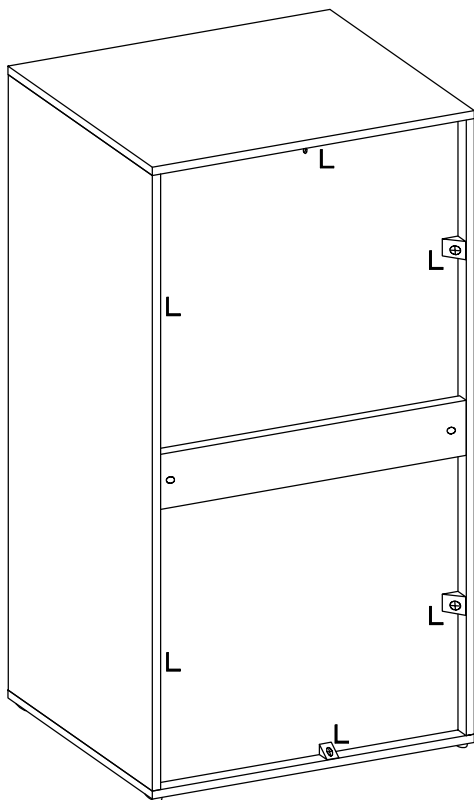
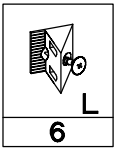
6






7

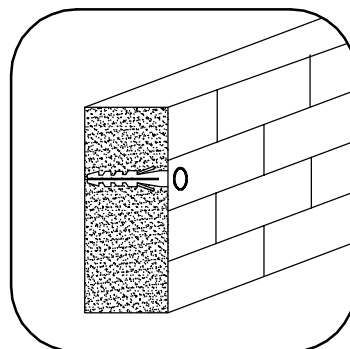
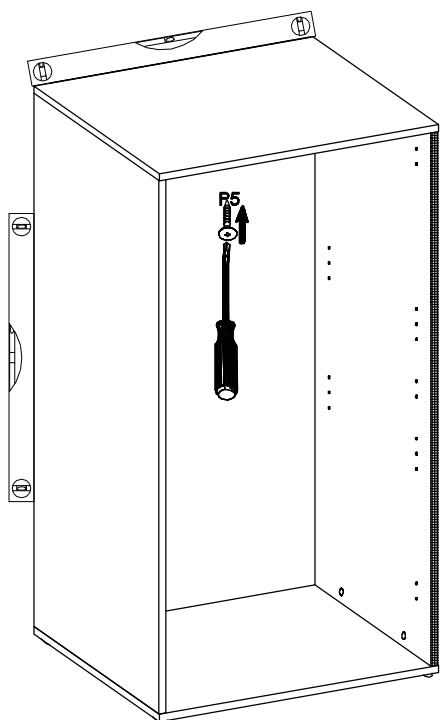
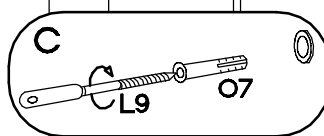
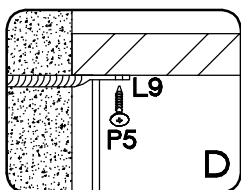
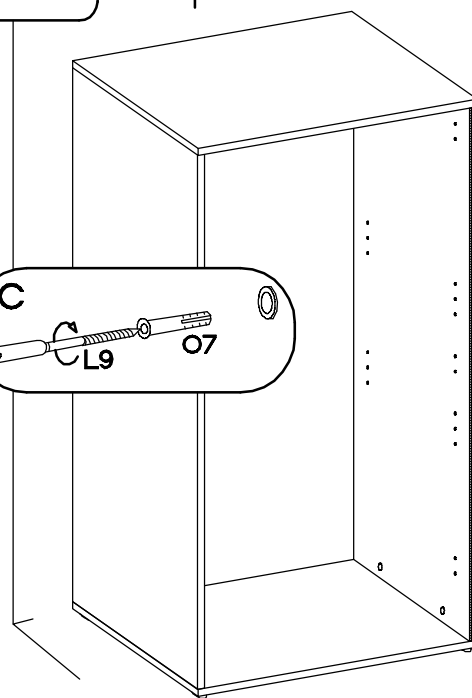
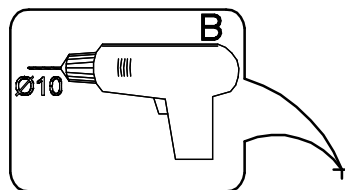
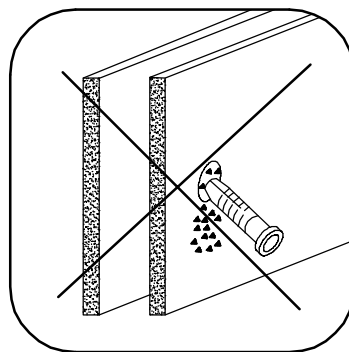
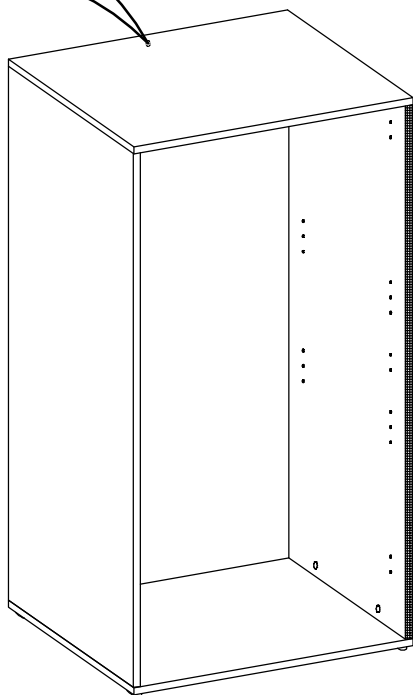
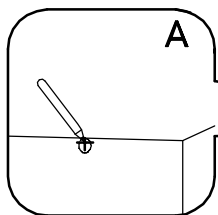


8

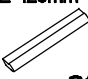





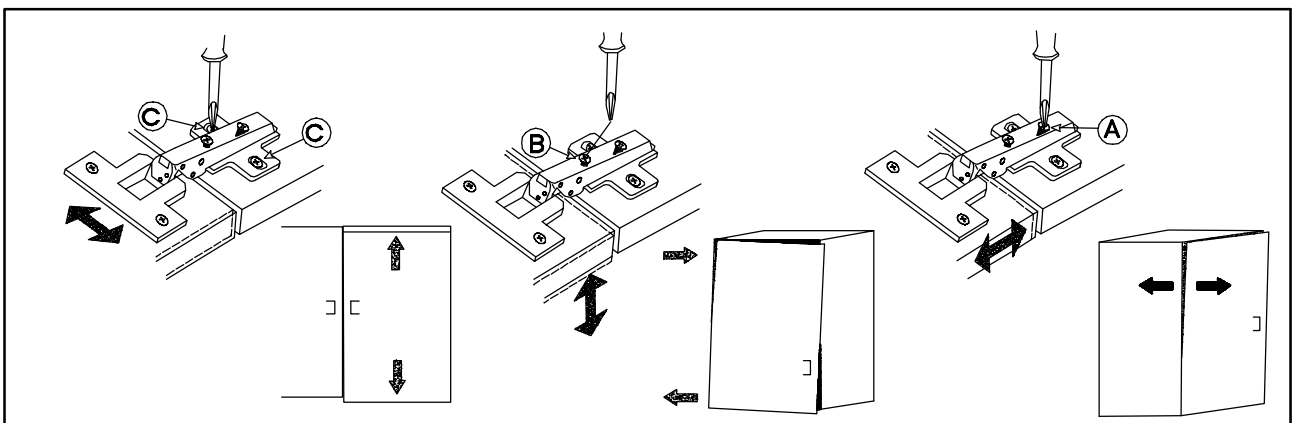
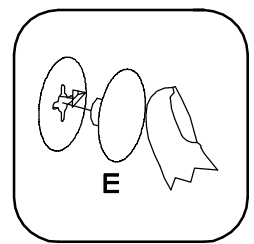
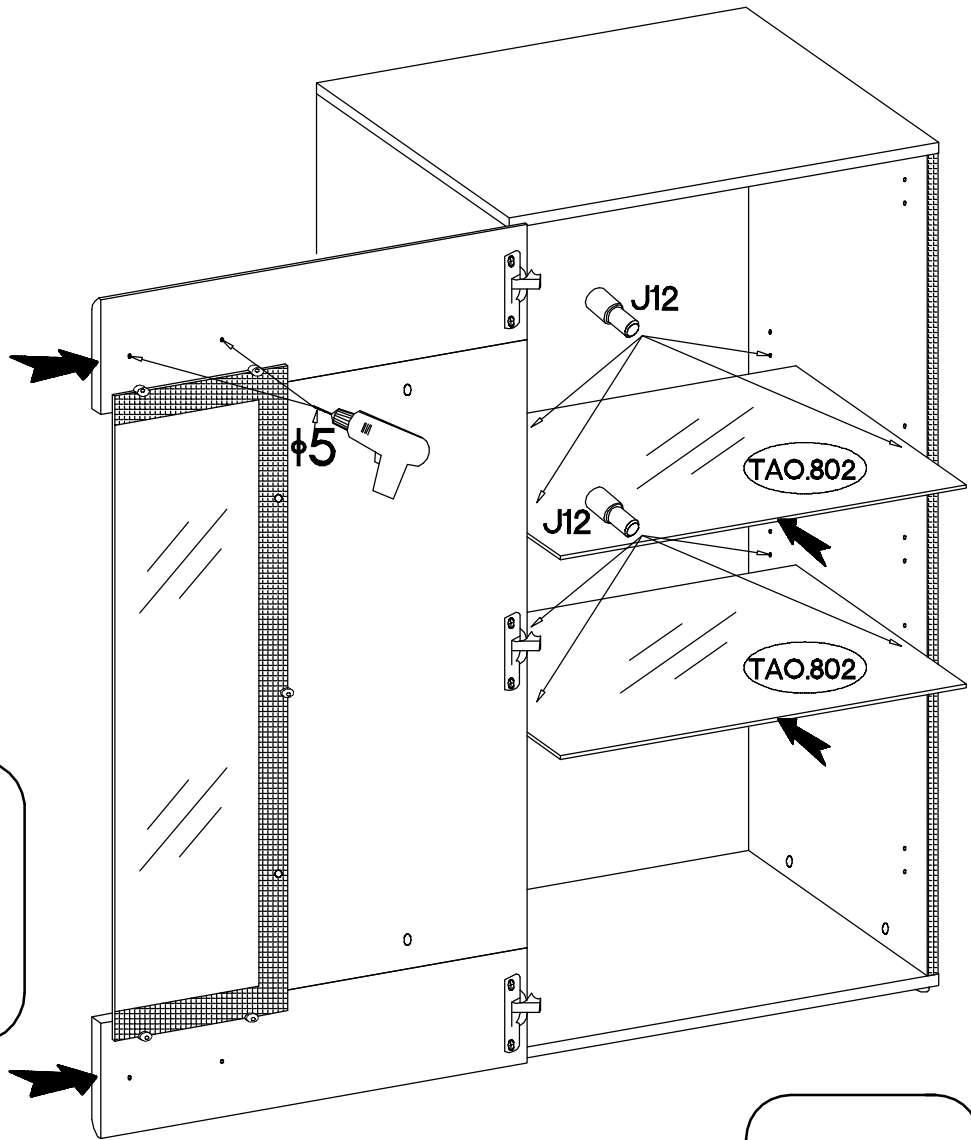
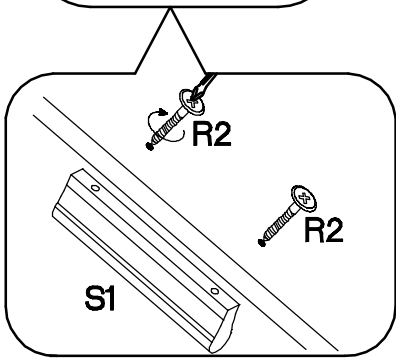
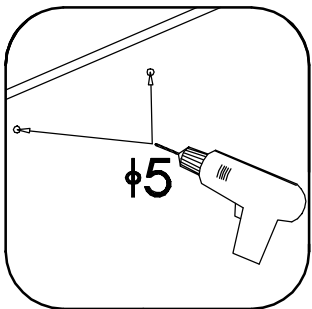
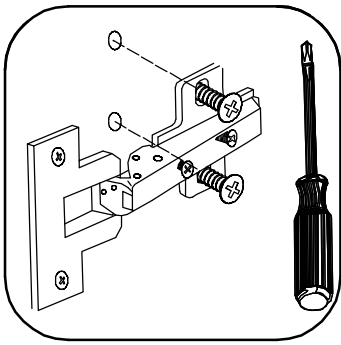
9

 #3.5x13mm P5 1	 #10x50mm O7 1	 L9 1
--	---	---







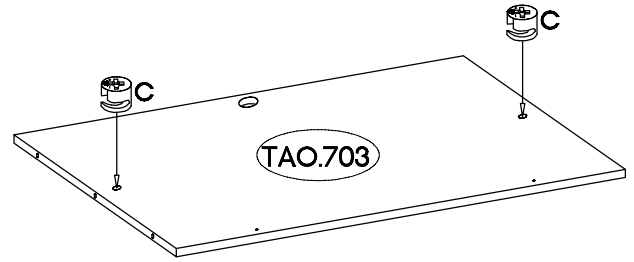
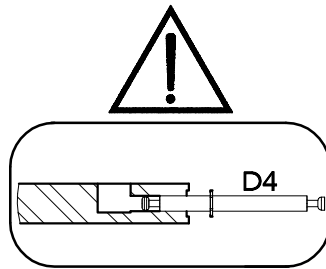
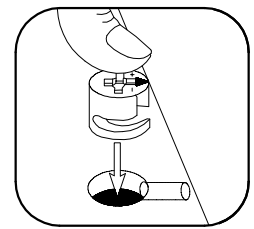
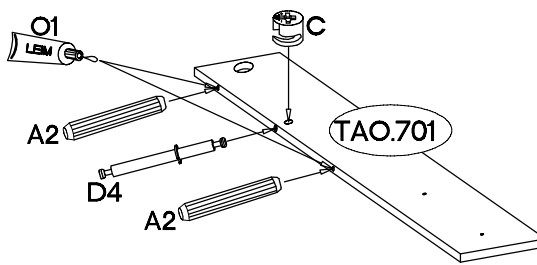
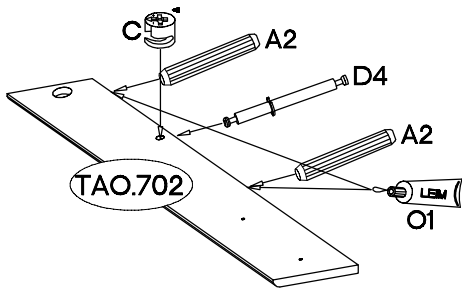
10

L=128mm	4.0x30mm		
			
S1	R2	E	J12
1	2	14	8




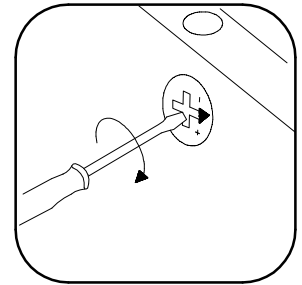
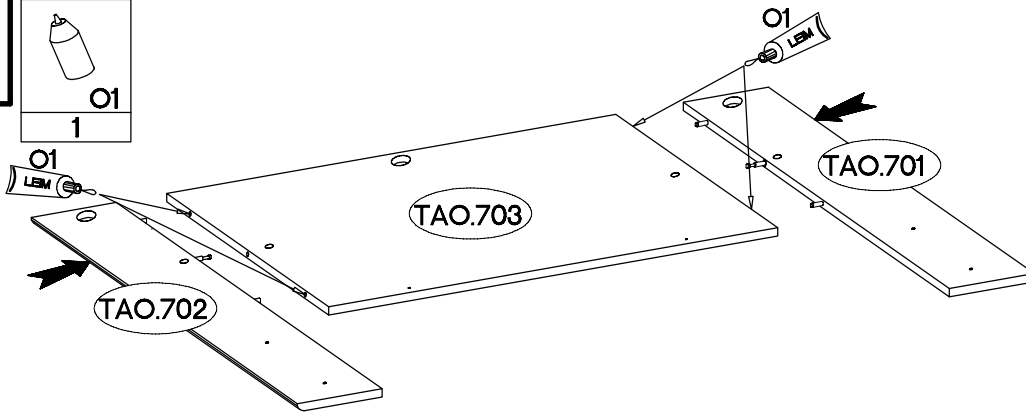
11

$\varnothing 15/12\text{mm}$  C 4	$\varnothing 8 \times 60\text{mm}$  A2 4	 O1 1	$L=56\text{mm}$  D4 2
---	--	--	---






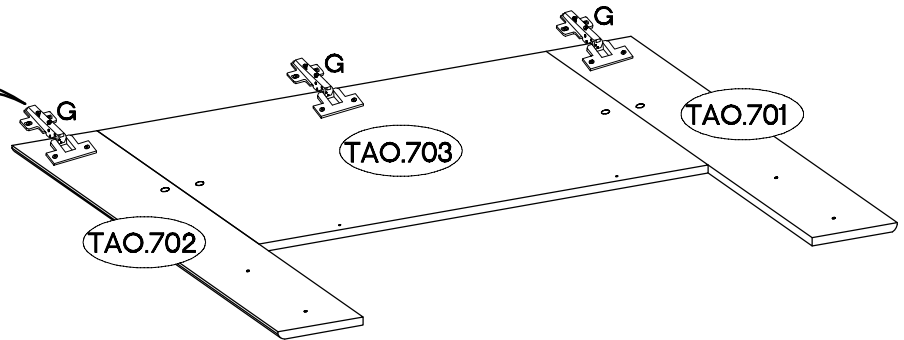
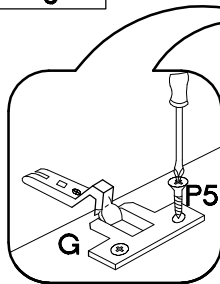
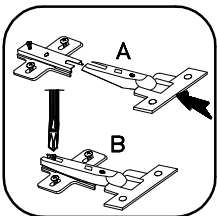
12

 O1 1

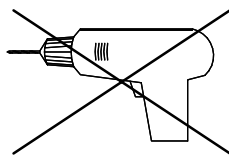
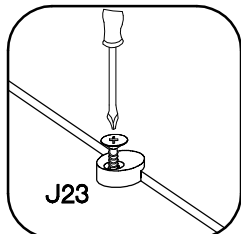





13

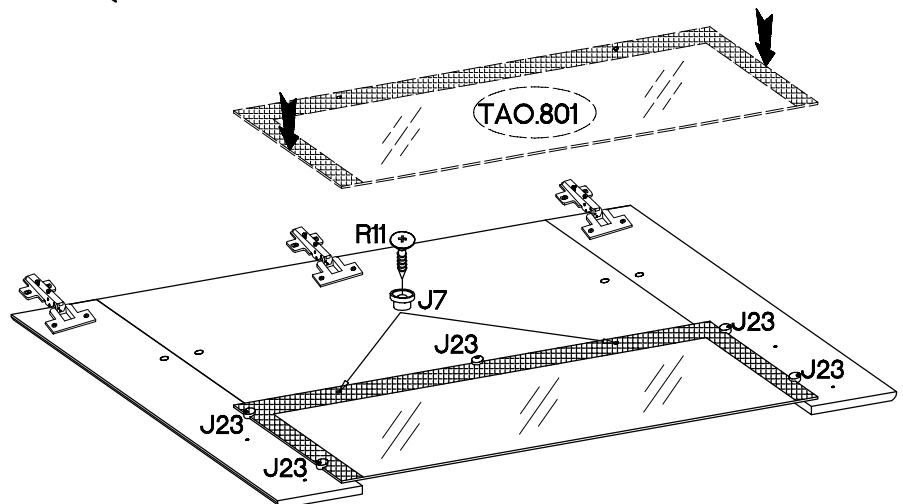
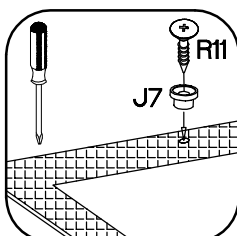
$H=0$  H 3	$\varnothing 35/0\text{mm}$  G 3	$\varnothing 3.5 \times 13\text{mm}$  P5 6
---	---	---





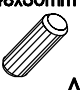
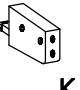

14

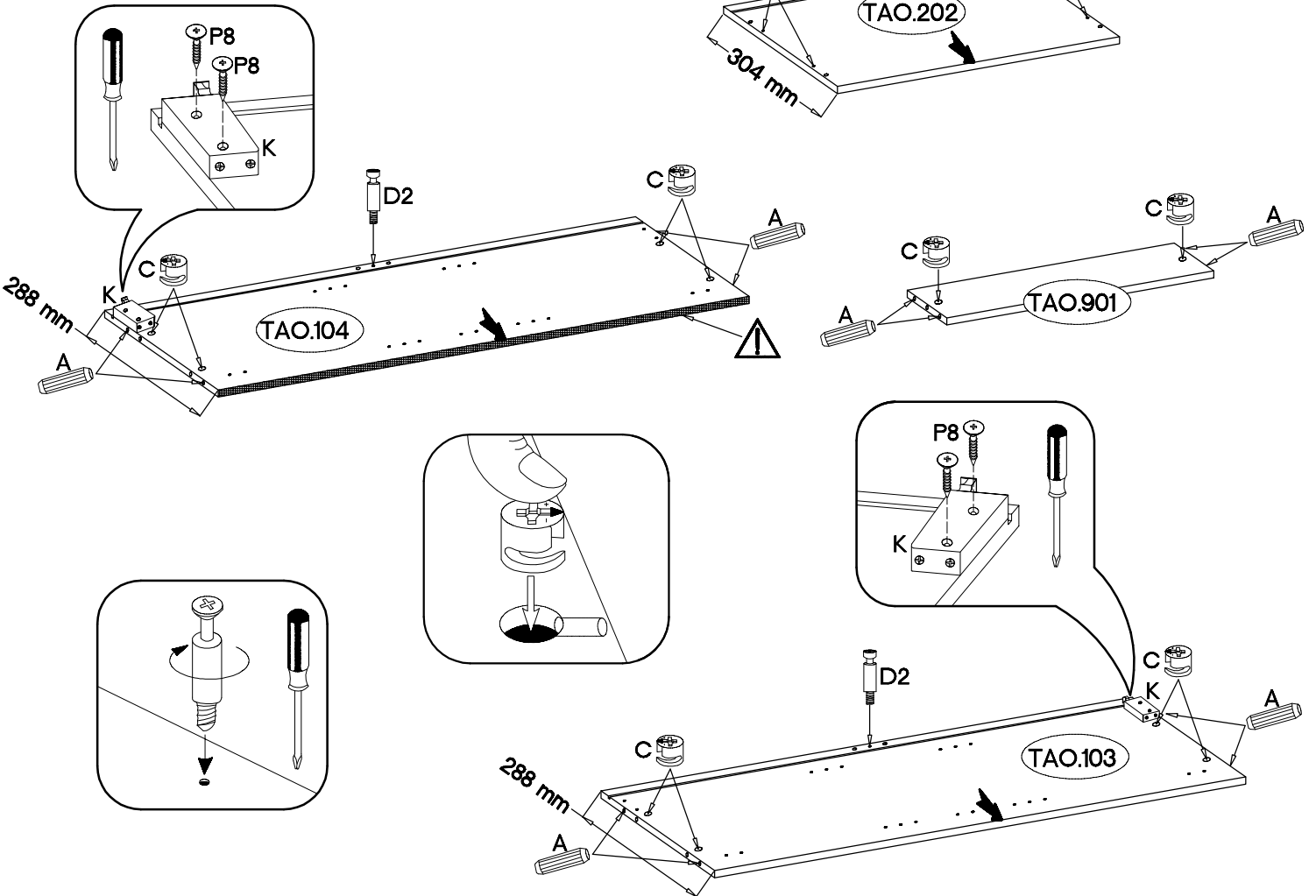


 J23 5	$\varnothing 4.0 \times 16\text{mm}$  R11 2	$\varnothing 7/4\text{mm}$  J7 2
--	--	---

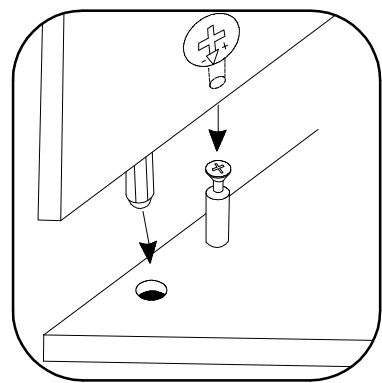
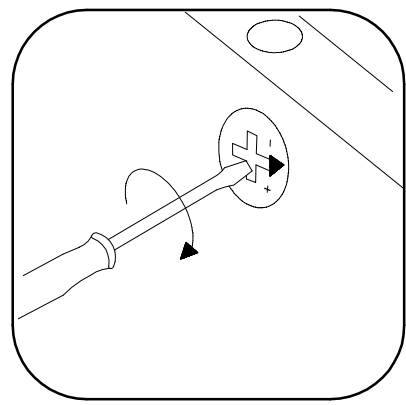
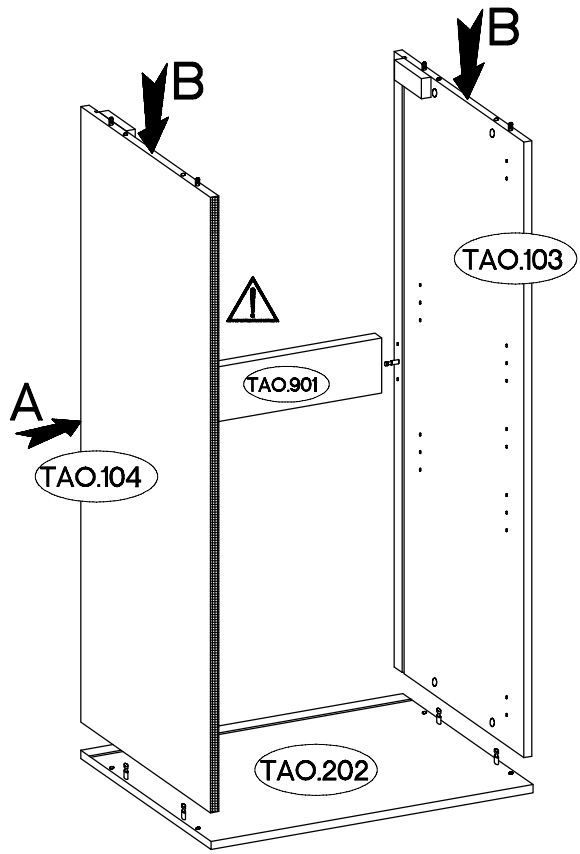


15

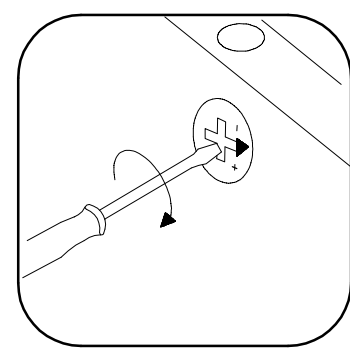
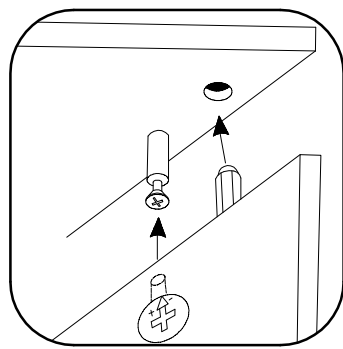
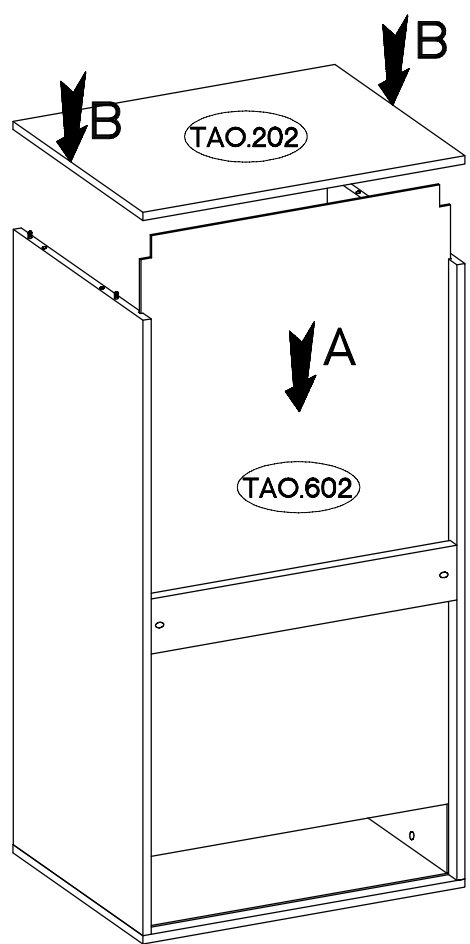
L=20mm  D2 10	∅5/12mm  C 10	∅8x30mm  A 12	 K 2	∅4.0x30mm  P8 4
--	--	--	--	--



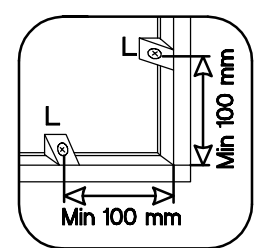
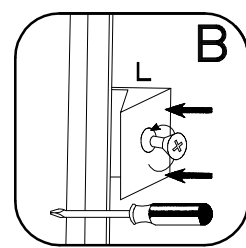
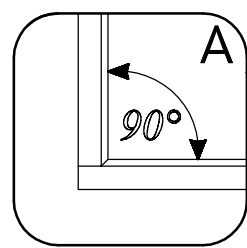
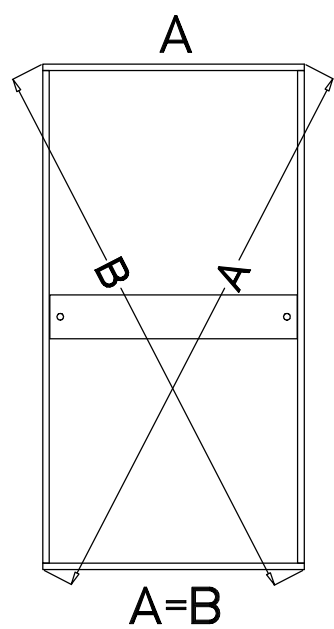
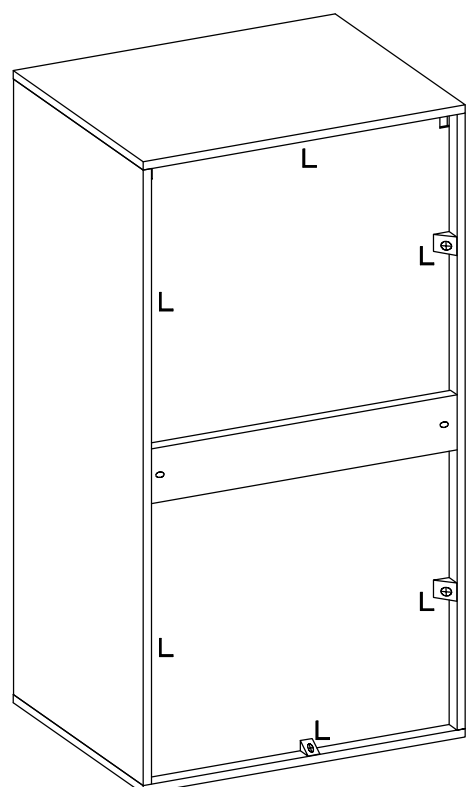
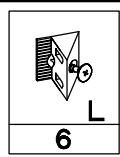
16





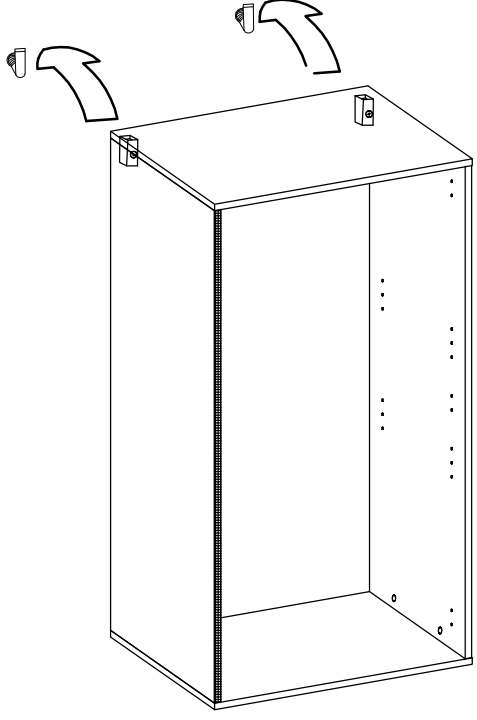
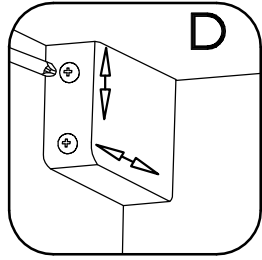
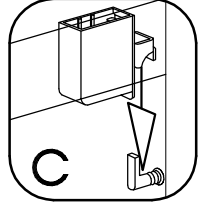
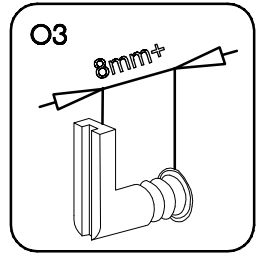
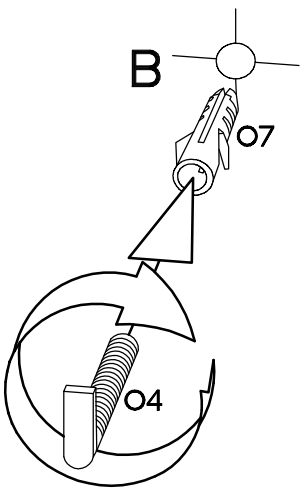
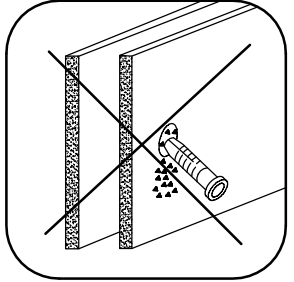
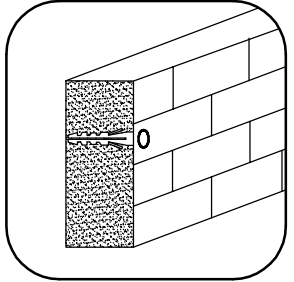
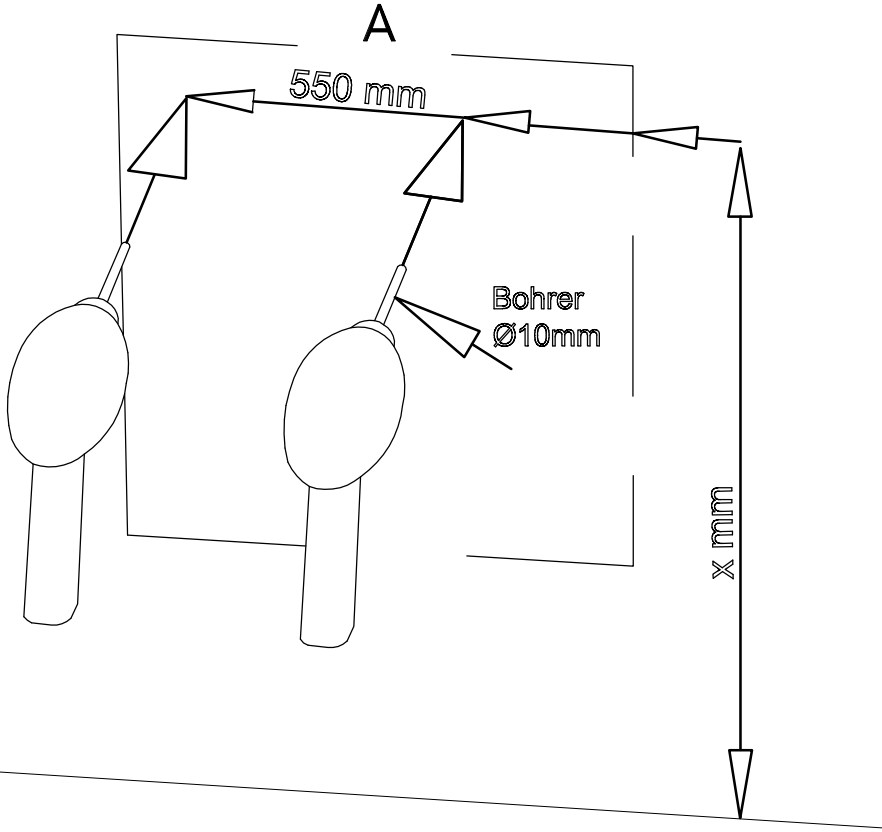
17



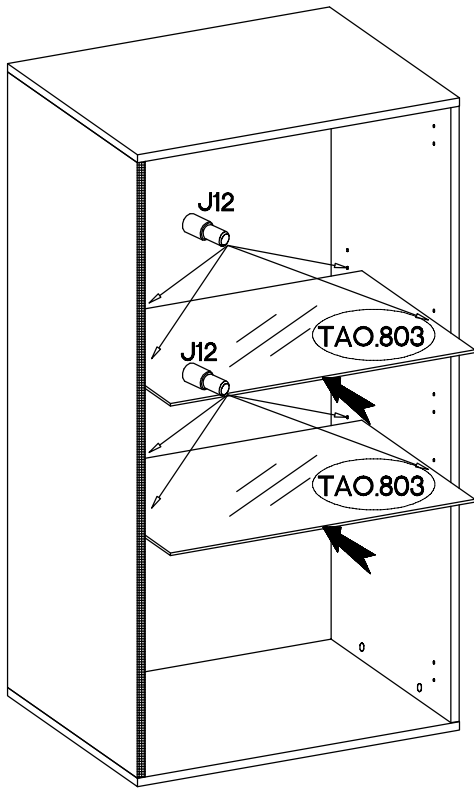
18





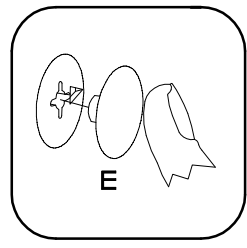
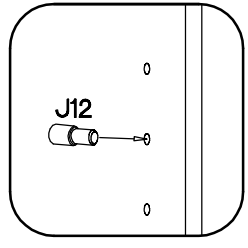
 Ø7 2	 Ø4 2
--	--



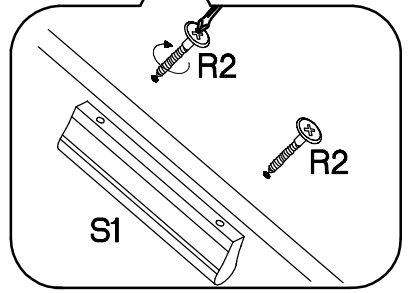
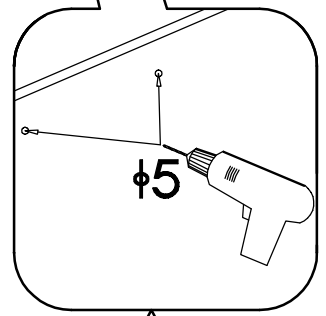
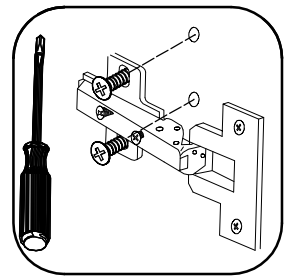
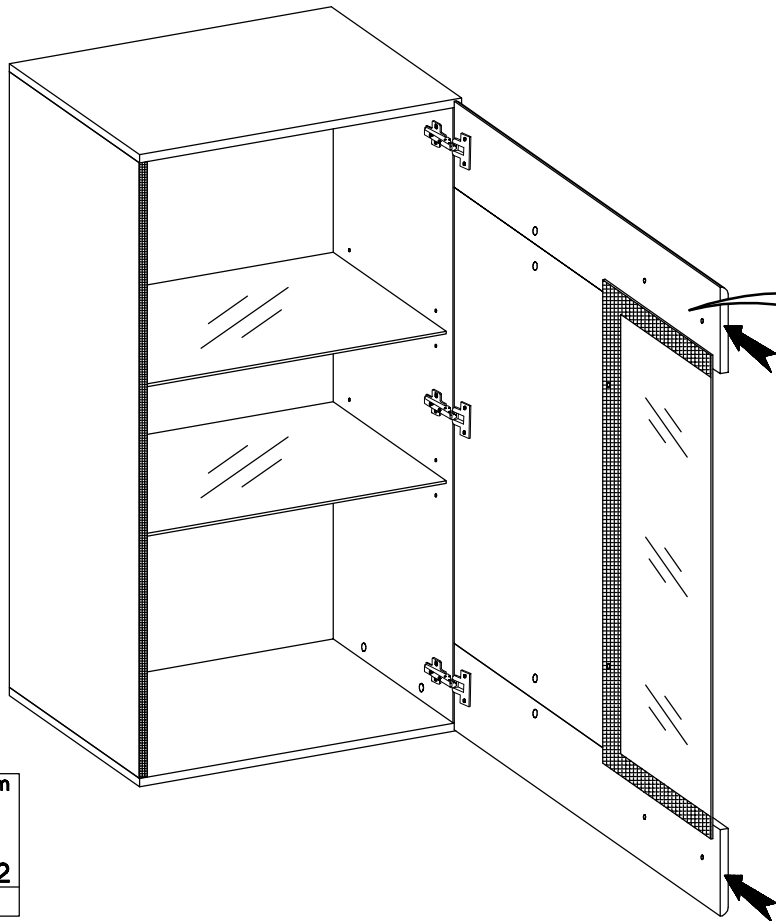
20


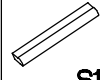



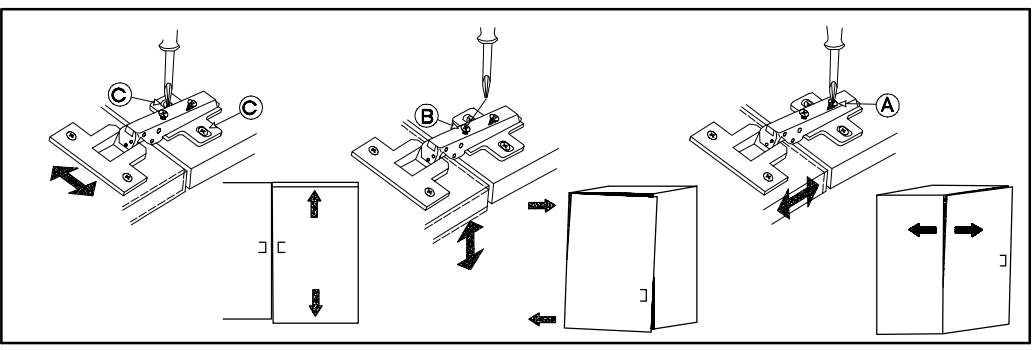
	
E	J12
8	8



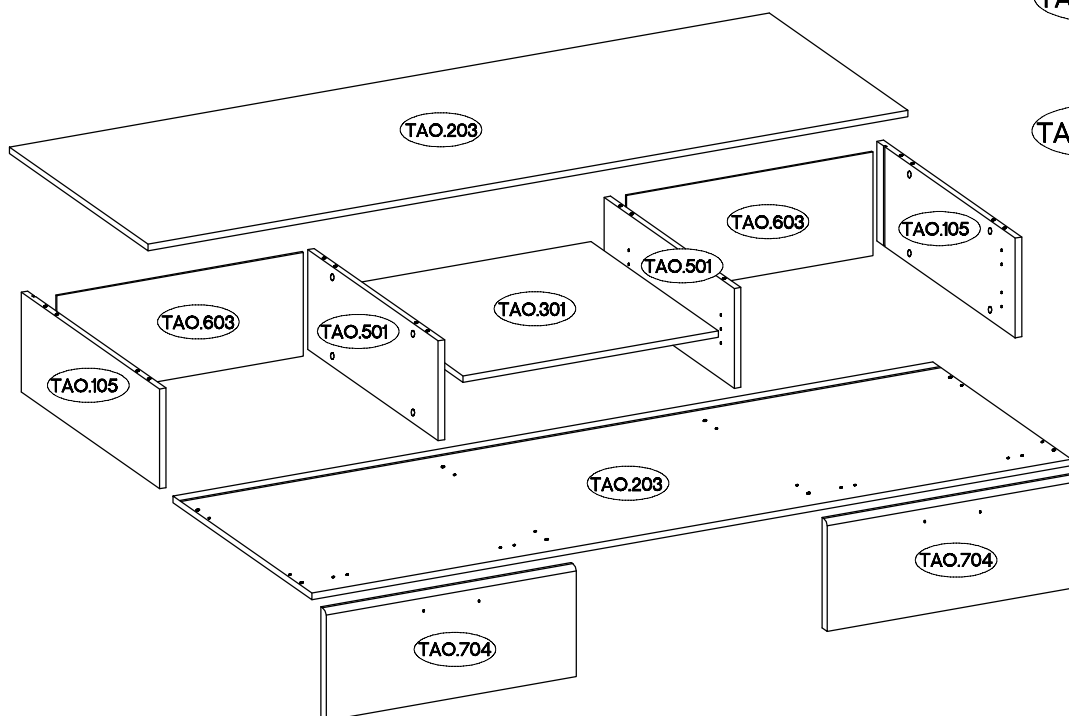
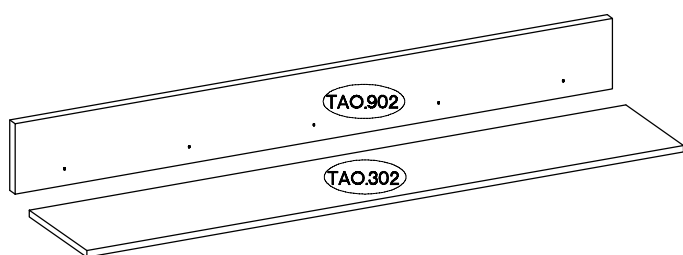
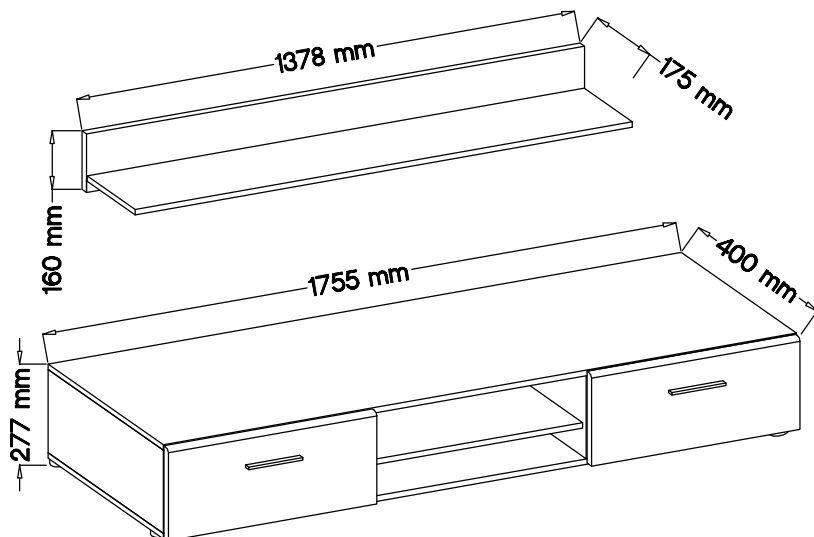
21



	E
4	
L=128mm	4.0x30mm
	
S1	R2
1	2



TANGO 316



TAO.302 = max. 2kg

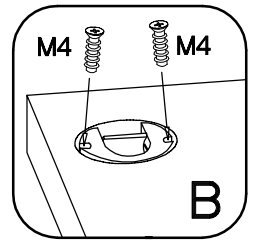
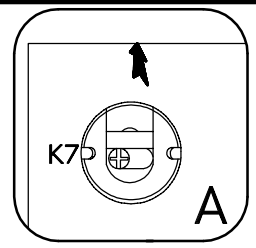
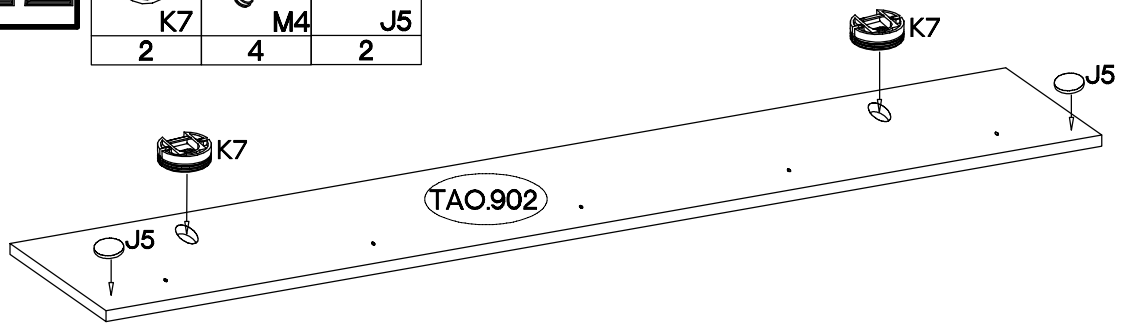
TAO.301 = max. 5kg

TAO.203 = max. 20kg

	H-0	t35/0mm	t3.5x13mm	K7	t6,3x9mm	5/45mm	t10x50mm	t4x70mm	t7/2mm	t3.0x16mm	
	H	G	P5		M4	O3	O7	P18	J5	P11	
	4	4	8	2	4	2	2	5	2	10	
L-20mm	t15/12mm	t8x30mm	L	E	F10	t4.0x25mm	L-128mm	t4.0x30mm	K13	t5	t3.5x13mm
D2	C	A			F10	P14	S1	R2		J1	P5
16	16	16	4	16	6	6	2	4	2	4	6

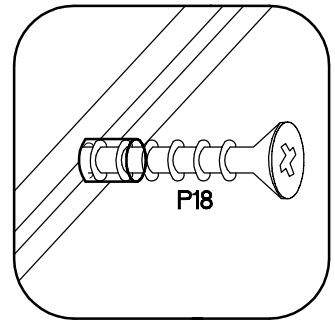
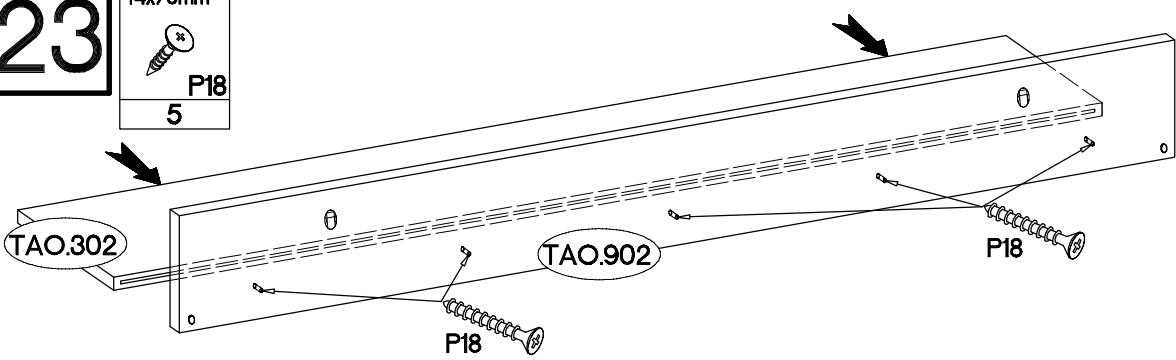
22

	$\pm 8,3 \times 9 \text{mm}$	$\pm 7/2 \text{mm}$
K7	M4	J5
2	4	2

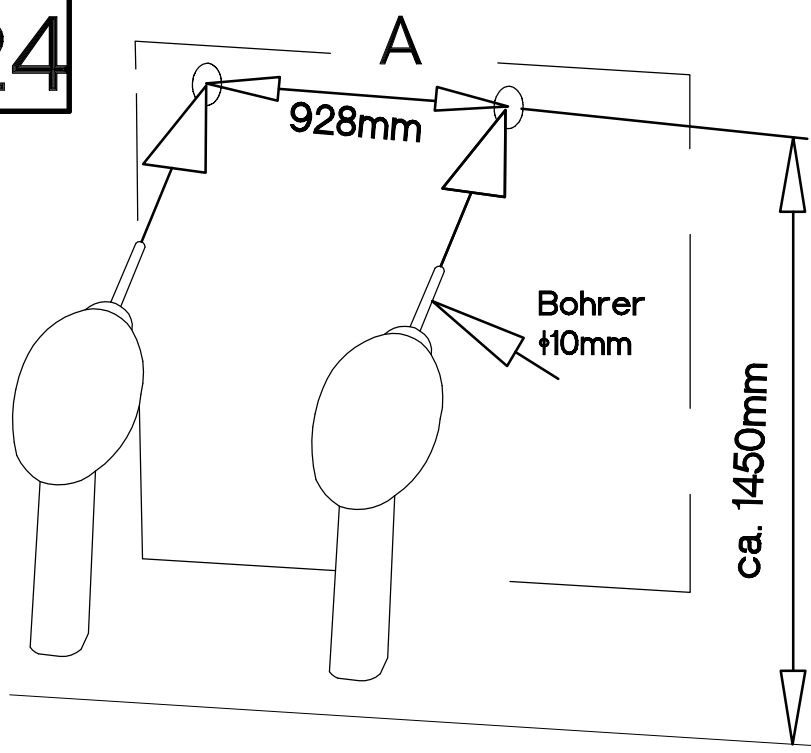


23

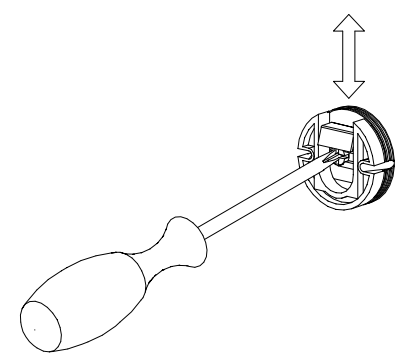
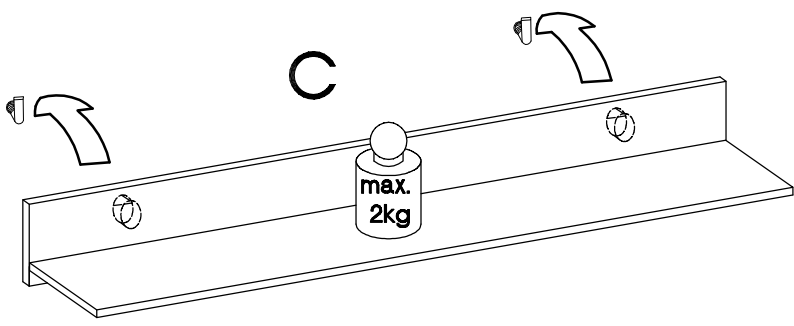
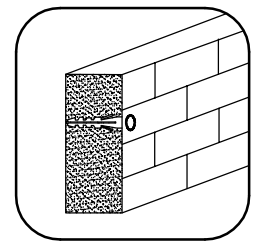
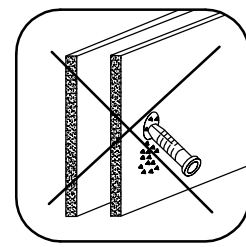
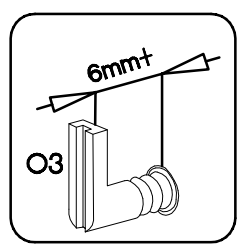
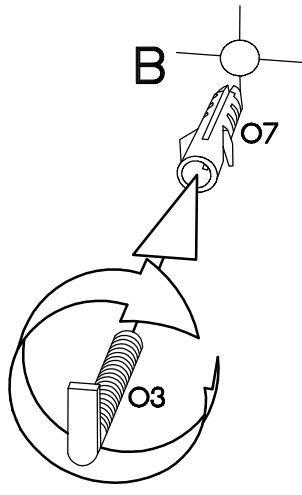
$\pm 4 \times 70 \text{mm}$
P18
5








24

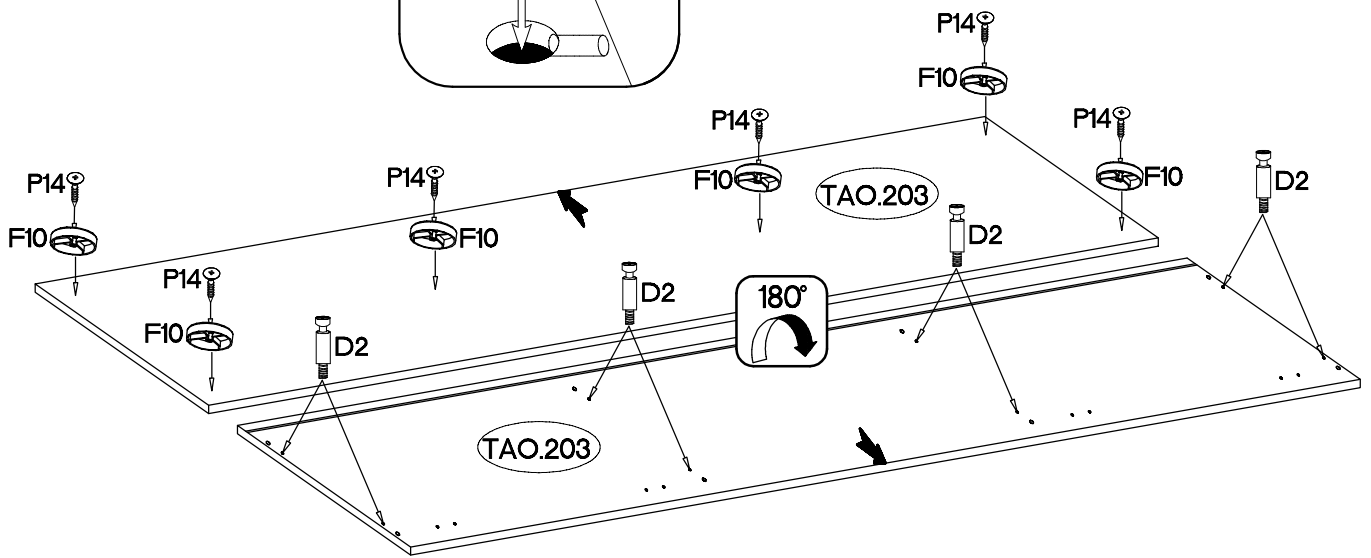
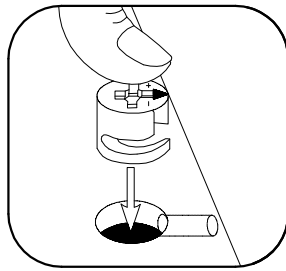
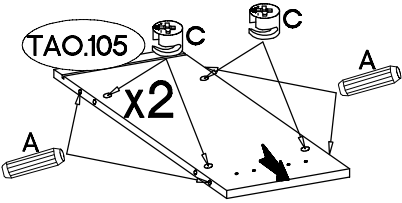
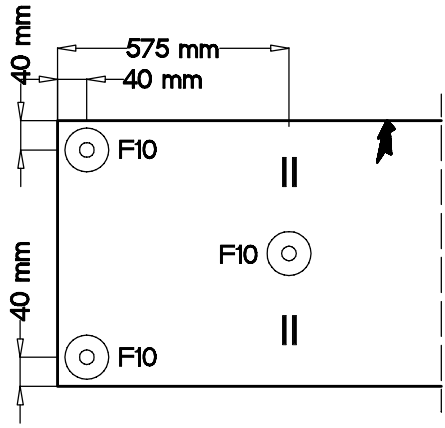
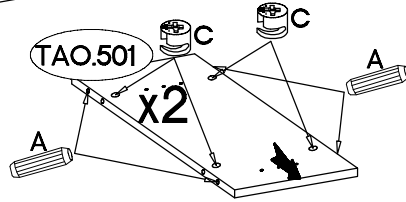
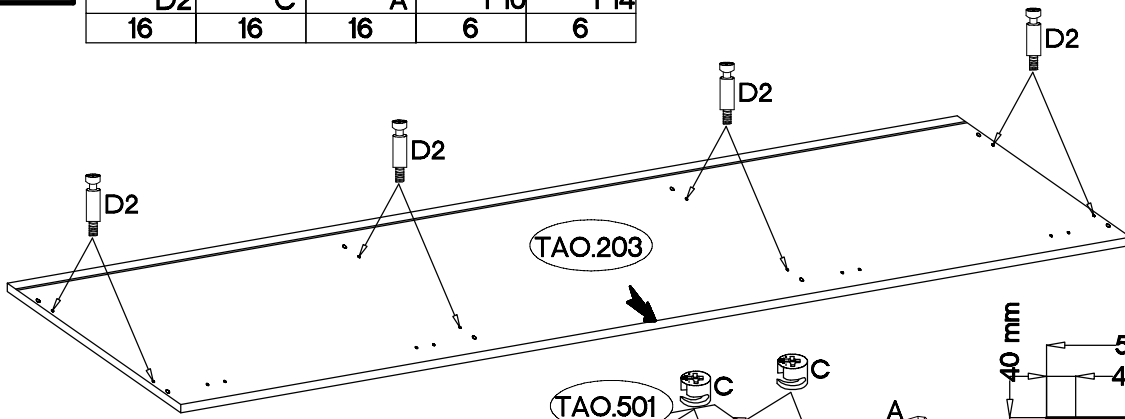
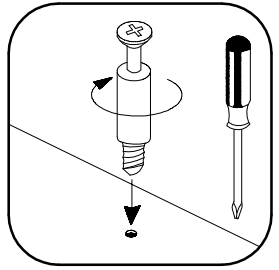


$5/45 \text{mm}$	$\pm 10 \times 50 \text{mm}$
O3	O7
2	2




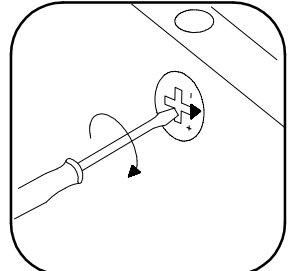
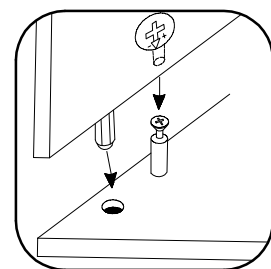
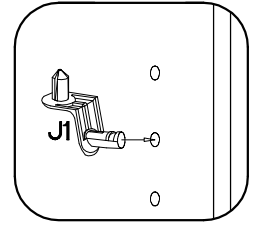
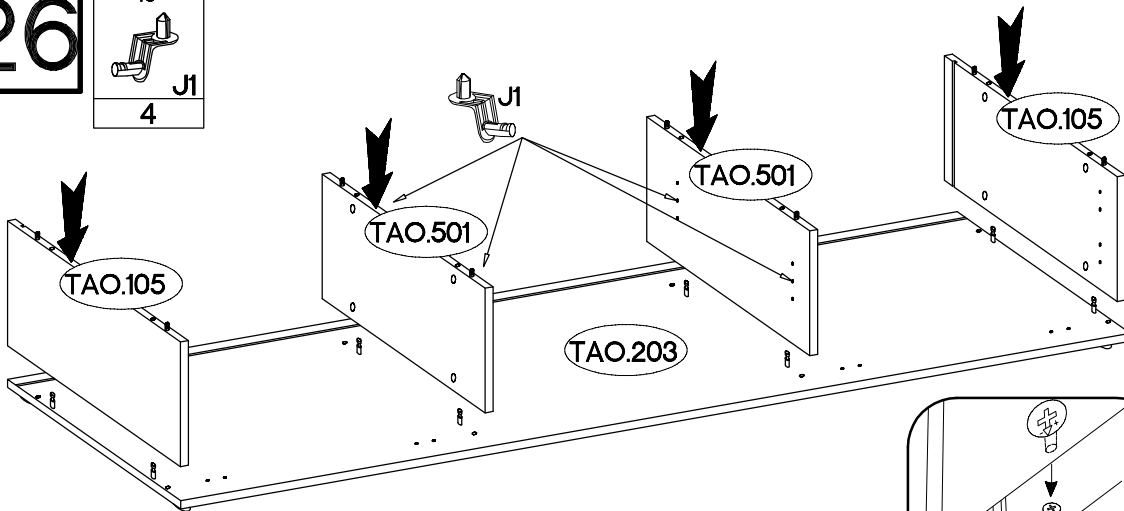
25

L=20mm  D2 16	†15/12mm  C 16	†8x30mm  A 16	 F10 6	†4.0x25mm  P14 6
--	---	--	--	---

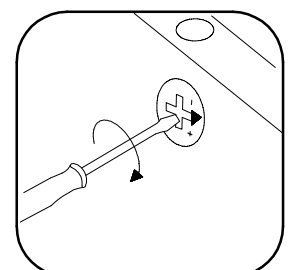
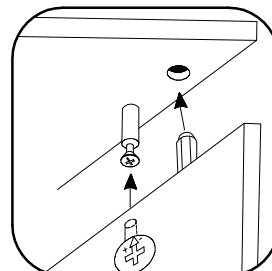
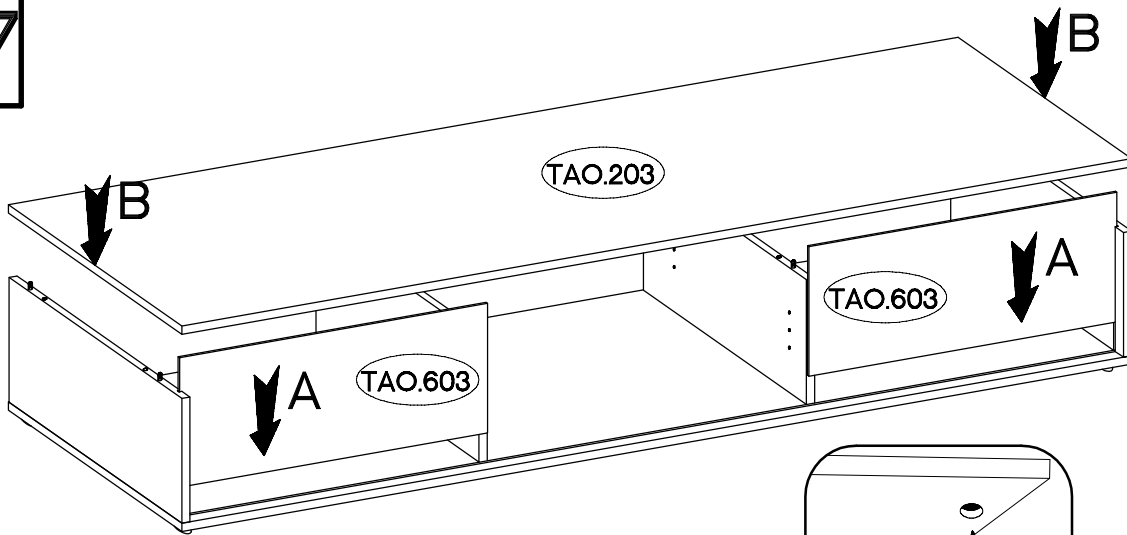


26

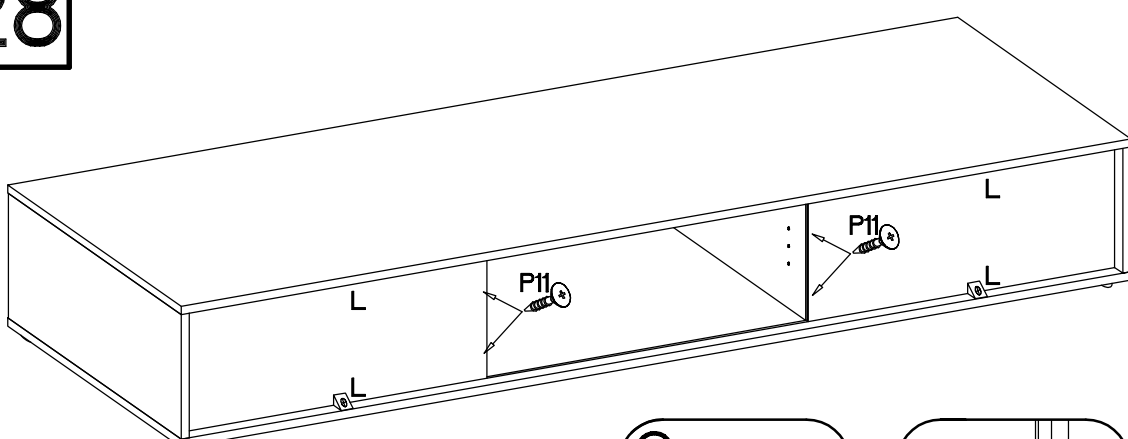
†5  J1 4
--




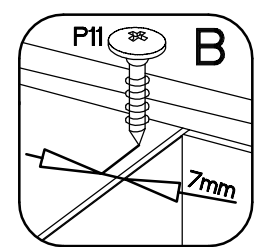
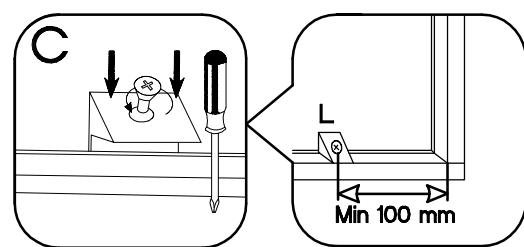
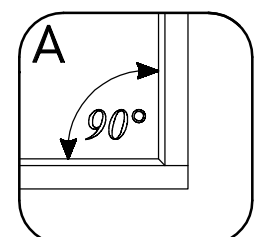
27



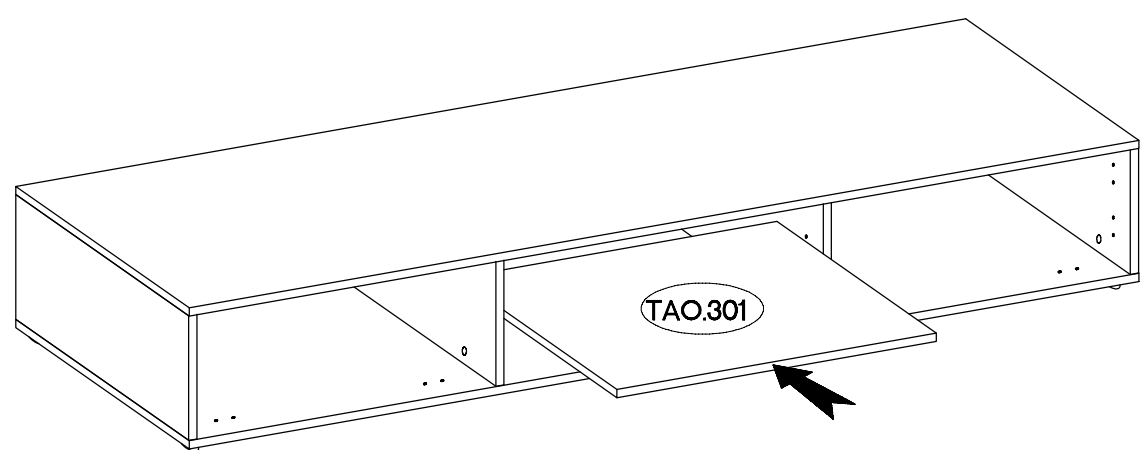
28








	43.0x16mm
L	P11
4	4

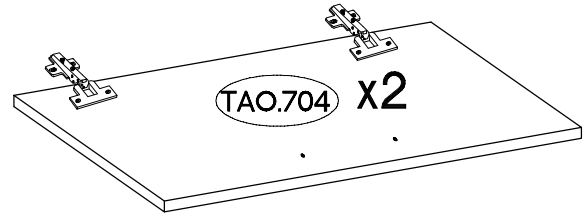
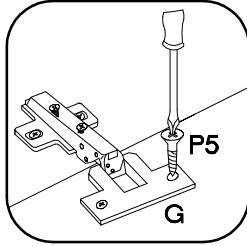
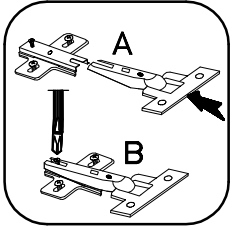
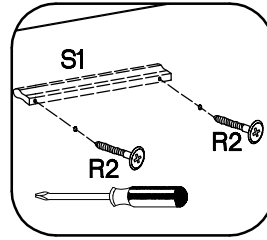


29


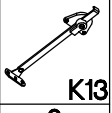


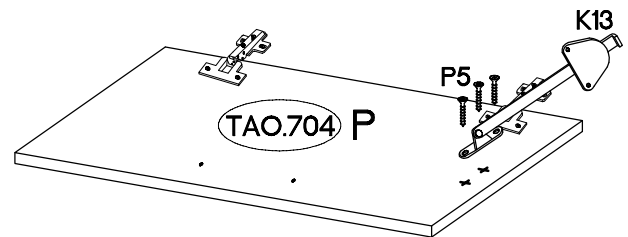
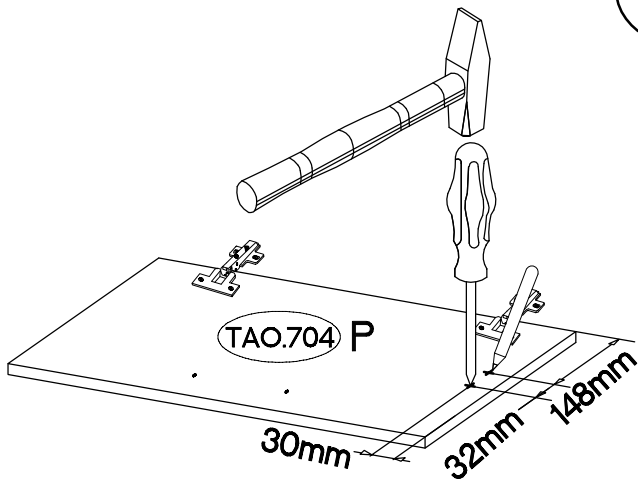
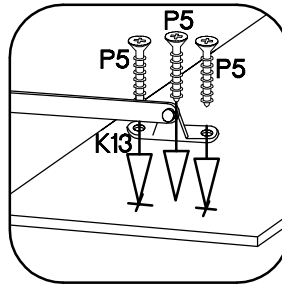
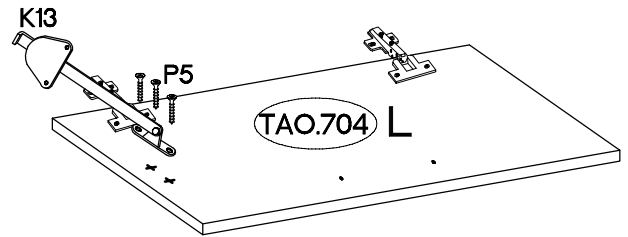
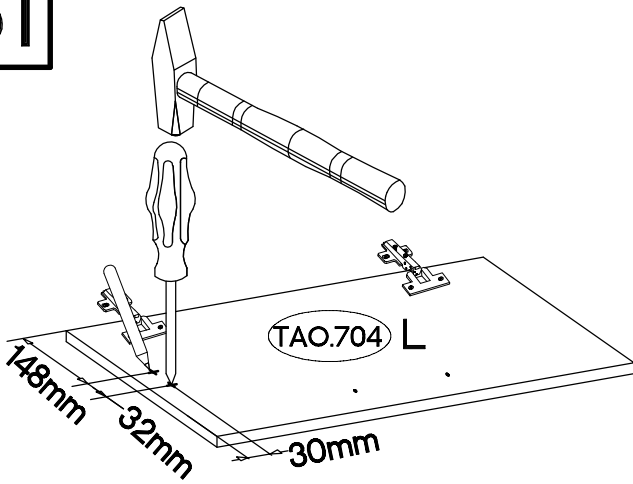
30


H=0  H	±35/0mm  G	±3.5x13mm  P5	L=128mm  S1	±4.0x30mm  R2
4	4	8	2	4



31

±3.5x13mm  P5	 K13
6	2



	ø3.0x16mm
E	P11
16	6

