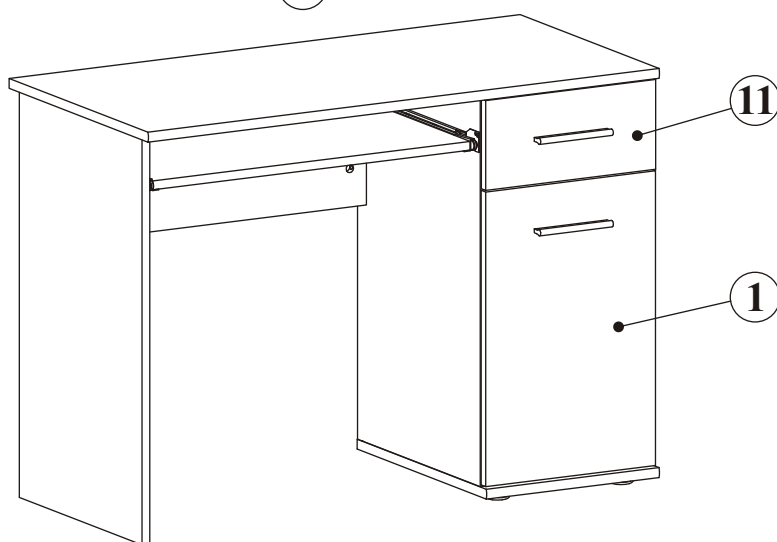
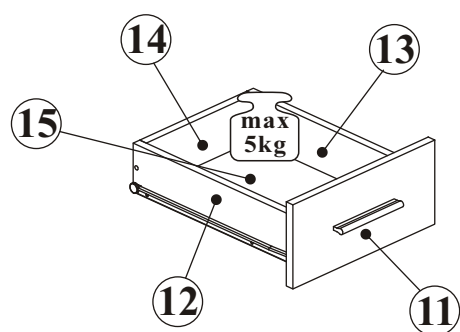
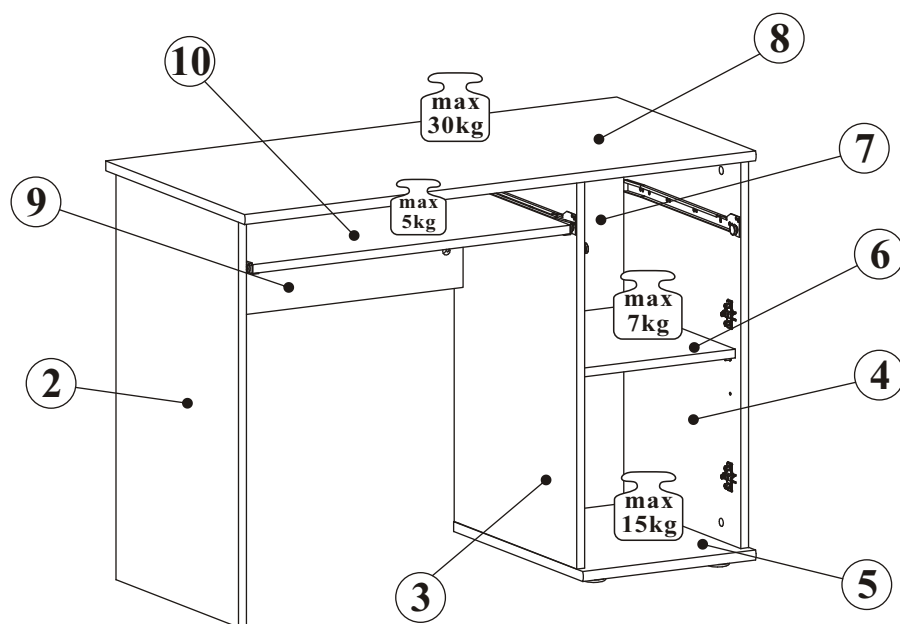
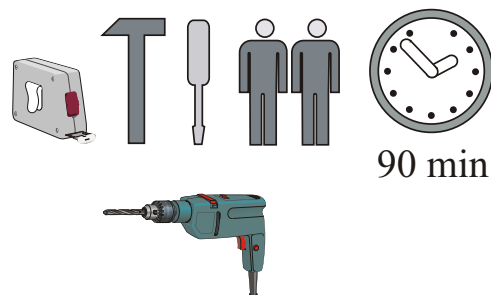


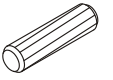
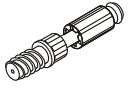
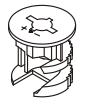



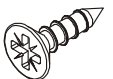
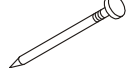

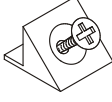



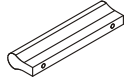
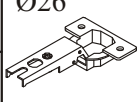
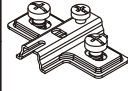
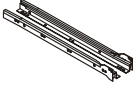



# DINO TYP 6

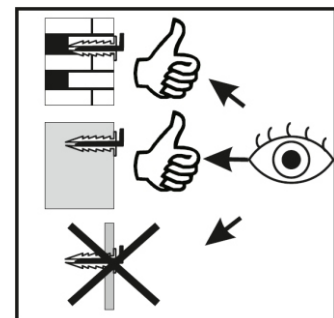
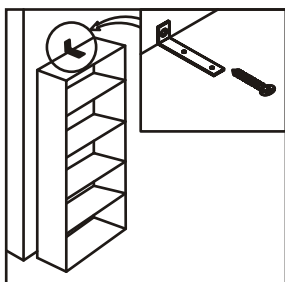
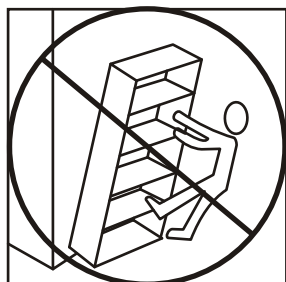
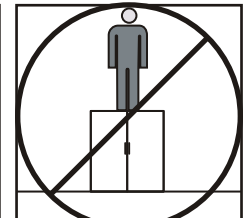
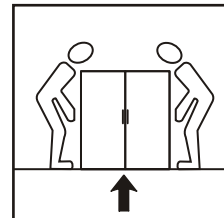
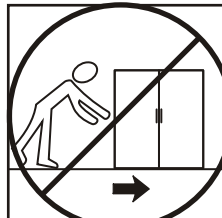
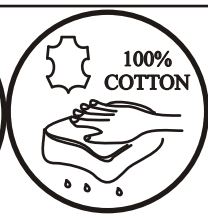
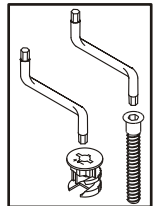
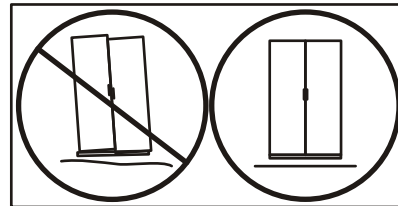
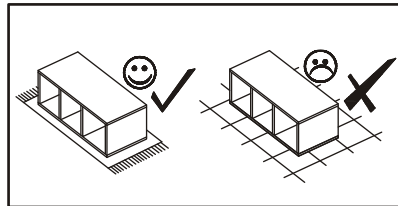
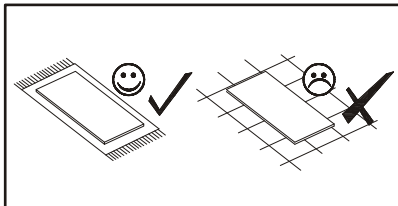
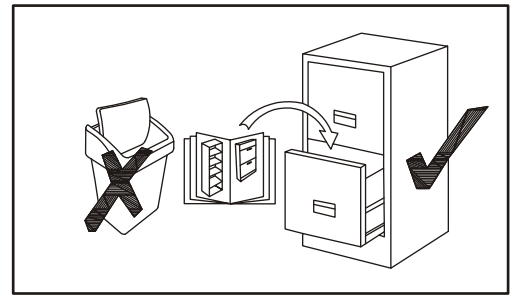
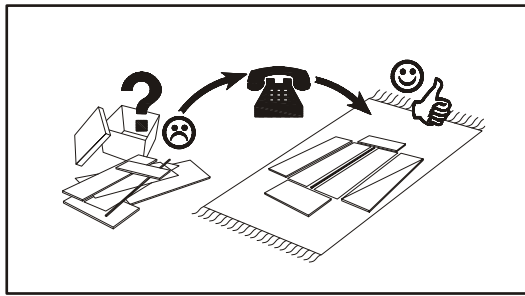
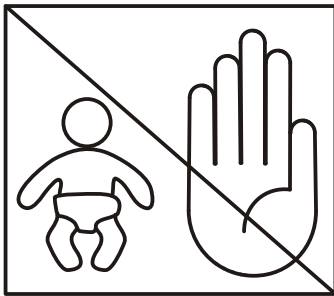
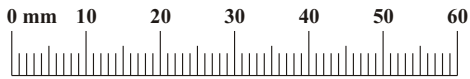


| NO | Dim. |     |    | Col-No | Qty |
|----|------|-----|----|--------|-----|
| 1  | 535  | 346 | 16 | 1      | 1   |
| 2  | 736  | 440 | 16 | 1      | 1   |
| 3  | 707  | 440 | 16 | 1      | 1   |
| 4  | 707  | 440 | 16 | 1      | 1   |
| 5  | 352  | 465 | 18 | 1      | 1   |
| 6  | 318  | 400 | 16 | 1      | 1   |
| 7  | 718  | 329 | 3  | 1      | 1   |
| 8  | 1041 | 500 | 18 | 2      | 1   |
| 9  | 673  | 275 | 16 | 3      | 1   |
| 10 | 647  | 400 | 16 | 4      | 1   |
| 11 | 346  | 163 | 16 | 5      | 1   |
| 12 | 400  | 90  | 16 | 6      | 1   |
| 13 | 400  | 90  | 16 | 7      | 1   |
| 14 | 261  | 90  | 16 | 8      | 1   |
| 15 | 292  | 405 | 3  | 9      | 1   |



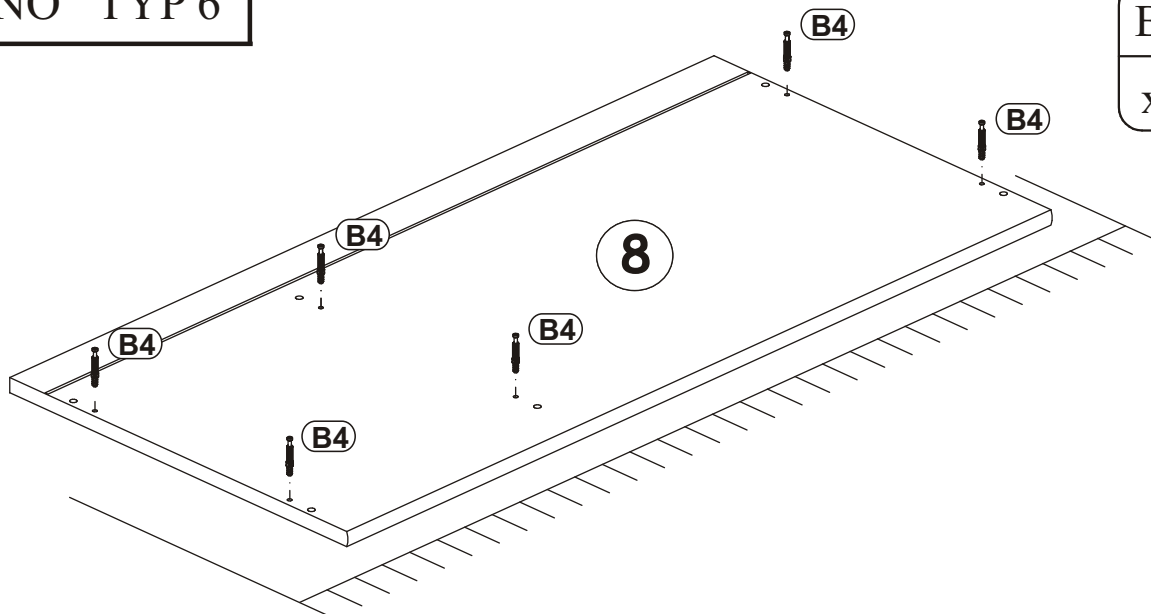
# DINO TYP 6

|  |   |   |   |   |   |
|--|---|---|---|---|---|
| A1<br>x18<br><br>ø8x36      | B4<br>x16<br>            | B5<br>x16<br><br>Ø15x12    | G5<br>x16<br>       | B11<br>x2<br><br>Ø7x50     | G4<br>x2<br>               |
| D10<br>x16<br><br>USØ3,5x13 | B3<br>x12<br><br>Ø1,4x25 | G7<br>x4<br>               | S1<br>x8<br>        | I11<br>x4<br><br>Ø45, h=15 | D11<br>x4<br><br>USØ3,5x25 |
| UP6<br>x4<br><br>UPØ4x30    | KL<br>x2<br><br>L-148mm. | E1<br>x2<br><br>Ø26<br>H=0 | E2<br>x2<br><br>H=0 | H5<br>x2<br><br>L-400mm.   | D8<br>x12<br><br>ESØ5x13   |
| G2<br>x1<br>                | I2<br>x2<br>             |   |   |   |   |



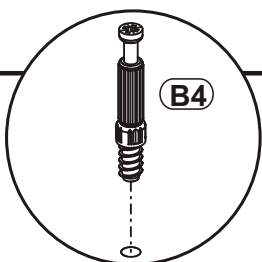
# DINO TYP 6

1



|    |  |
|----|--|
| B4 |  |
| x6 |  |

2



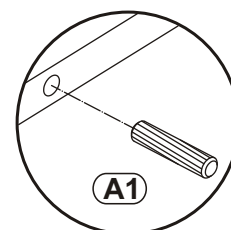
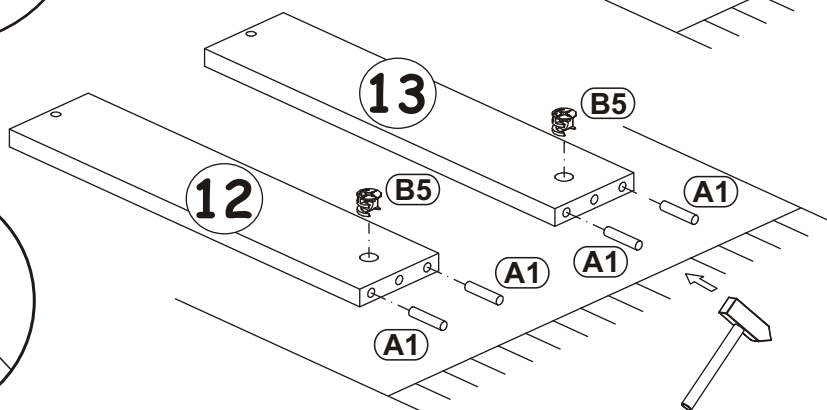
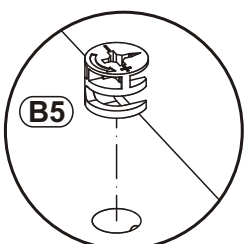
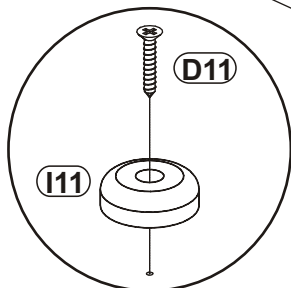
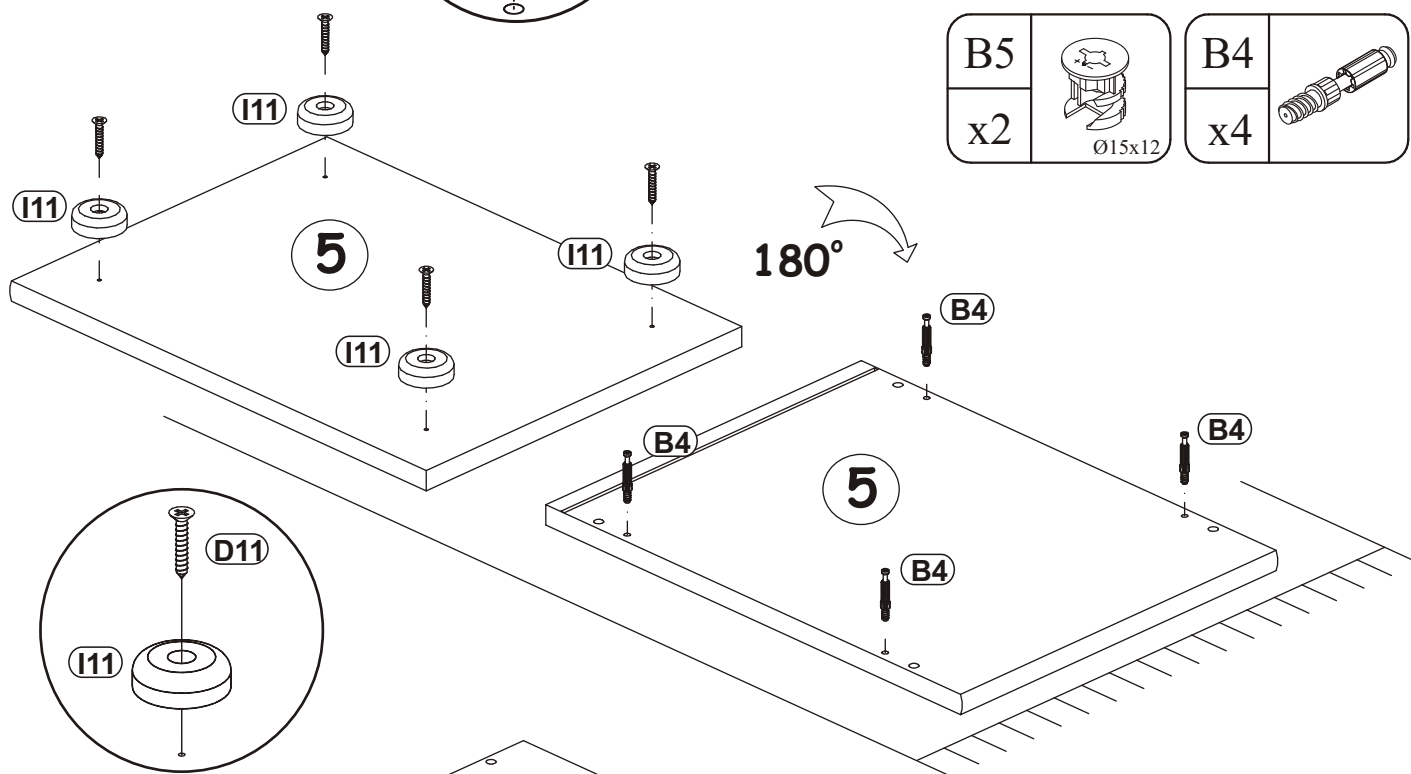
|    |       |
|----|-------|
| A1 |       |
| x4 | ø8x36 |

|     |           |
|-----|-----------|
| I11 |           |
| x4  | Ø45, h=15 |

|     |           |
|-----|-----------|
| D11 |           |
| x4  | USØ3,5x25 |

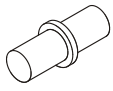
|    |        |
|----|--------|
| B5 |        |
| x2 | Ø15x12 |


|    |  |
|----|--|
| B4 |  |
| x4 |  |

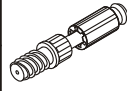


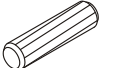
# DINO TYP 6

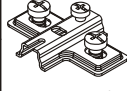
3


|    |   |
|----|---|
| G7 |  |
| x2 |   |


|    |  |
|----|--|
| B5 |  |
| x6 | Ø15x12   |

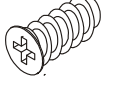
|    |   |
|----|---|
| B4 |  |
| x2 |   |

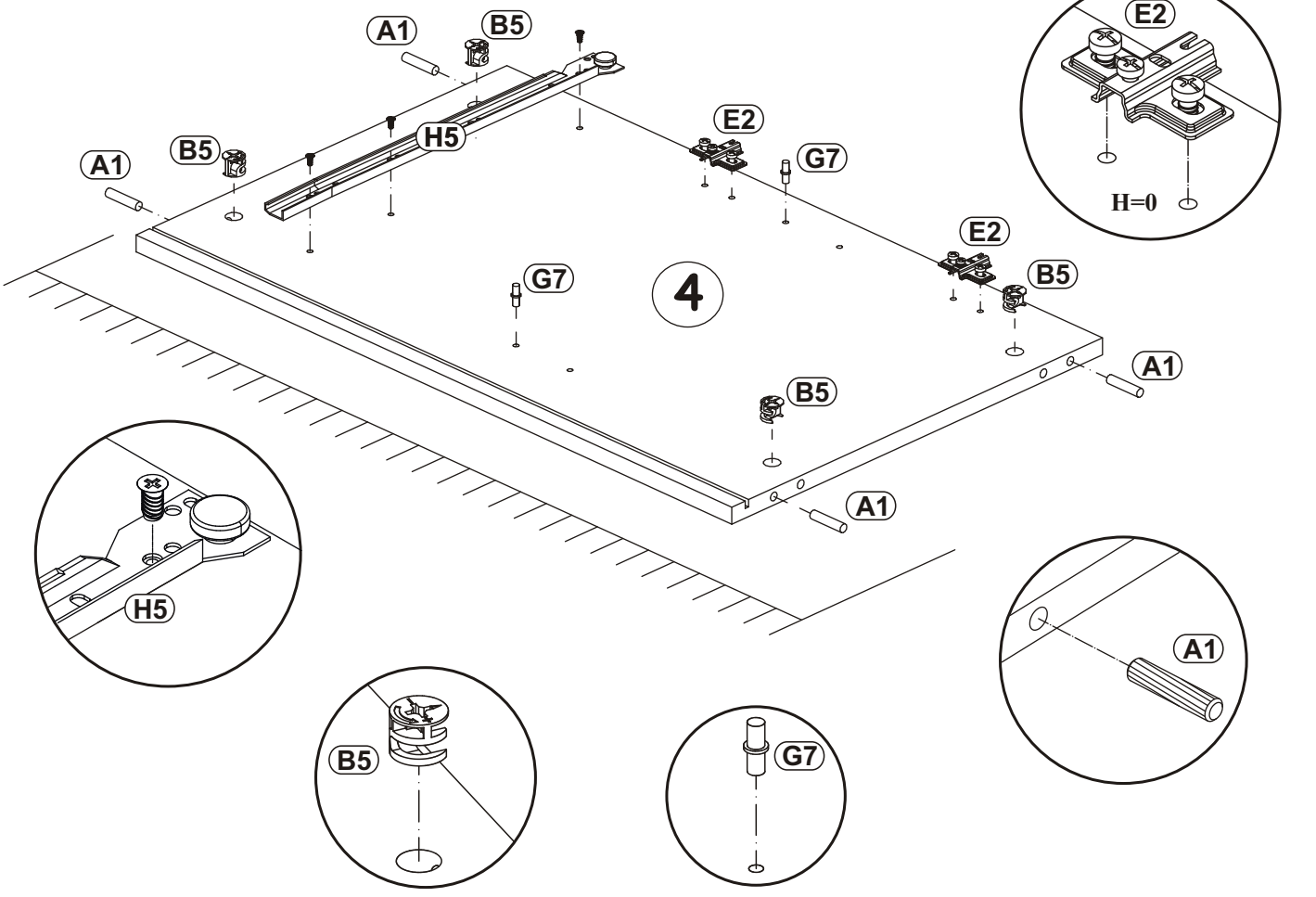
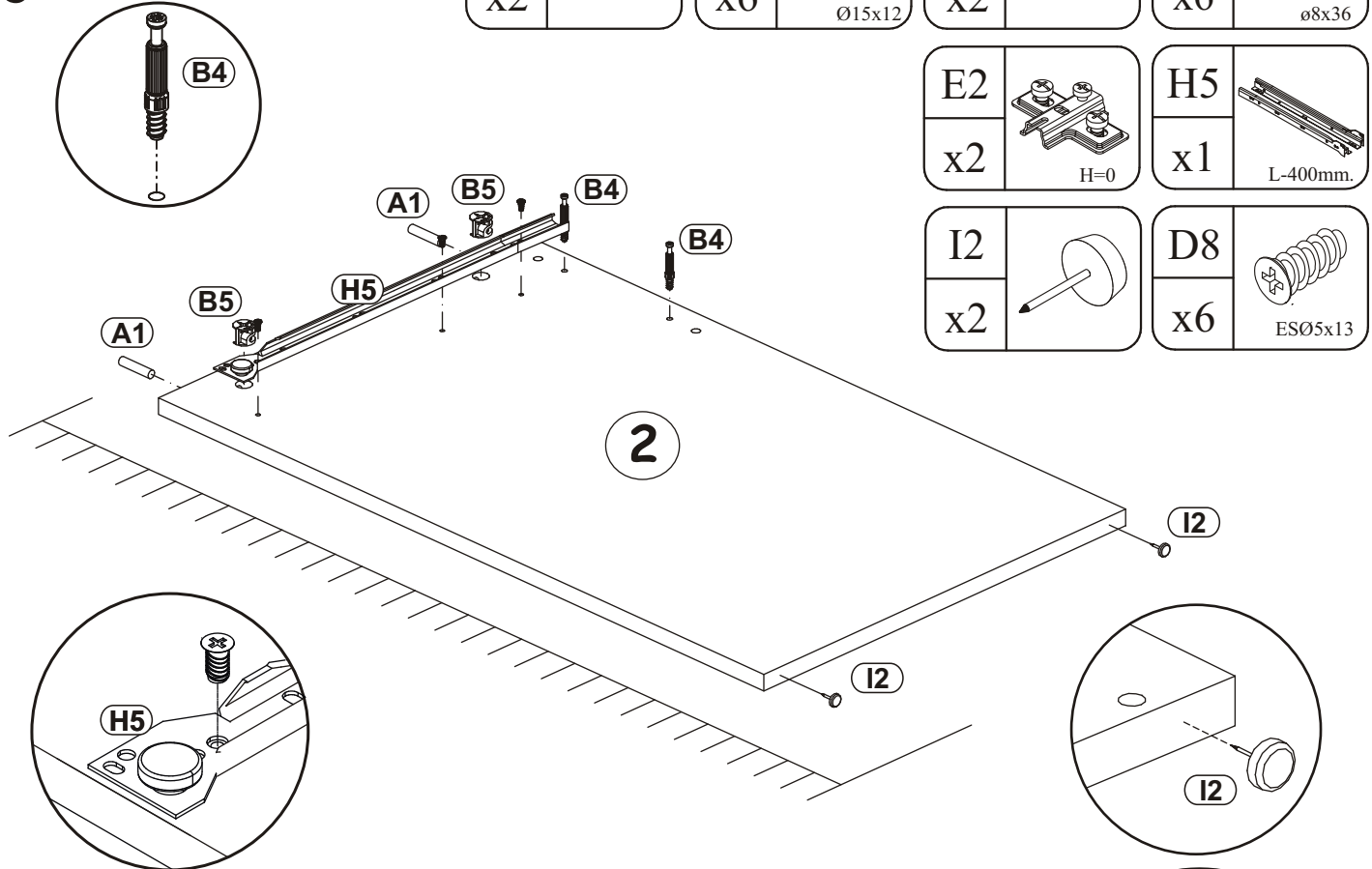
|    |   |
|----|---|
| A1 |  |
| x6 | ø8x36   |

|    |   |
|----|---|
| E2 |  |
| x2 | H=0   |

|    |   |
|----|---|
| H5 |  |
| x1 | L-400mm.  |

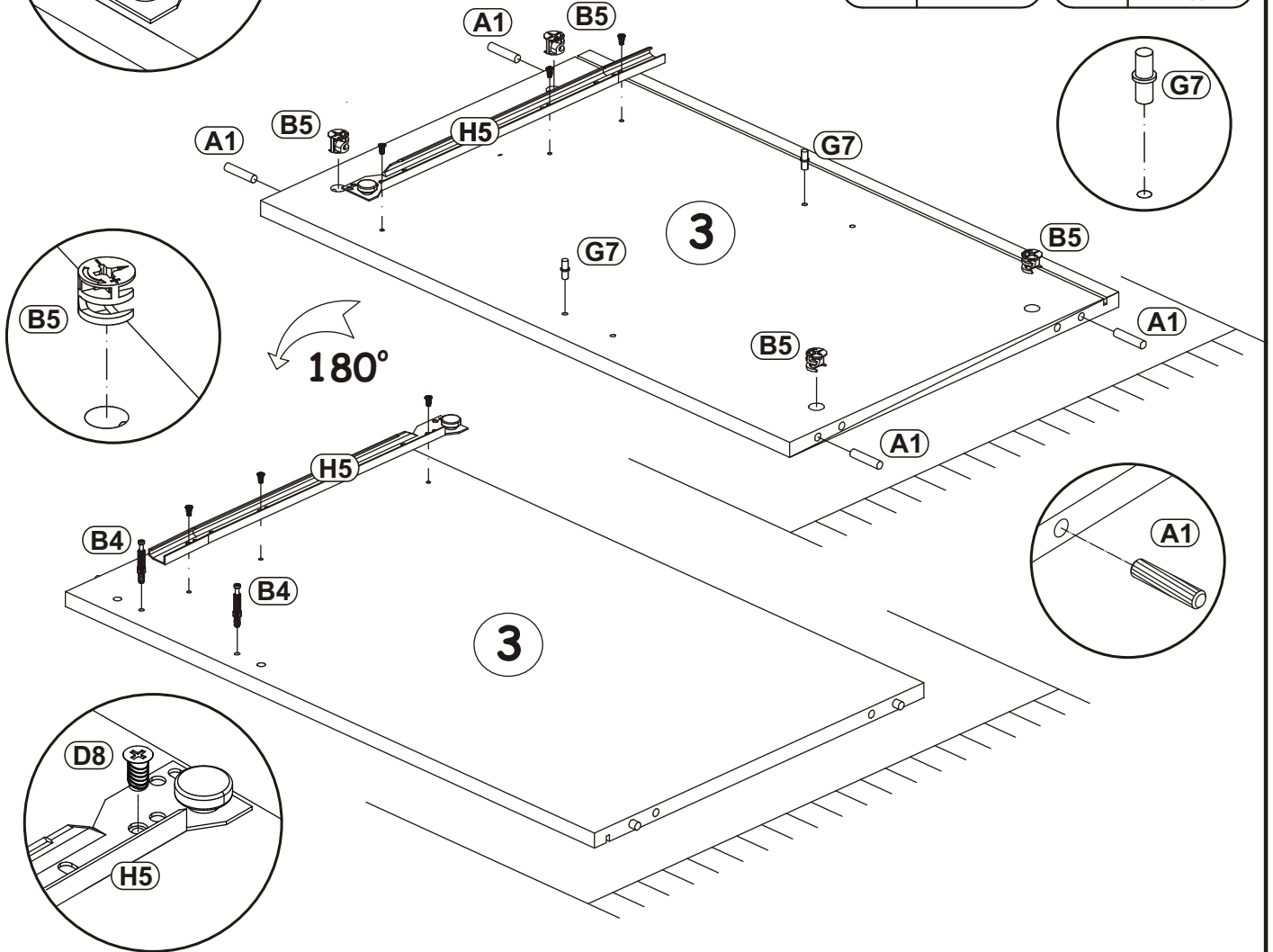
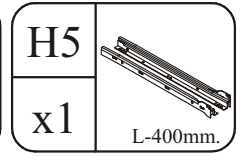
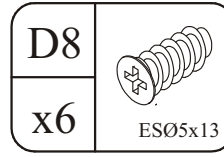
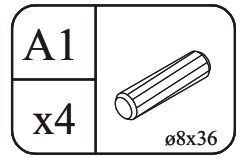
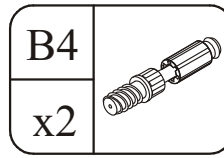
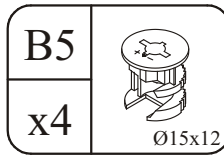
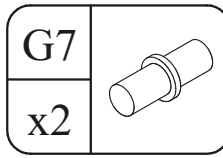
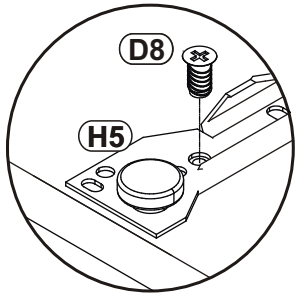
|    |   |
|----|---|
| I2 |  |
| x2 |   |

|    |   |
|----|---|
| D8 |  |
| x6 | ESØ5x13   |

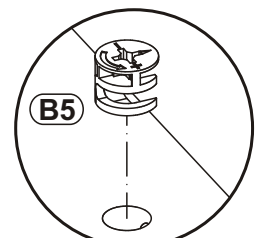
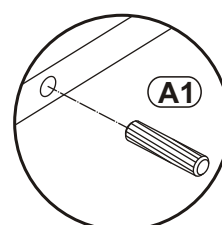
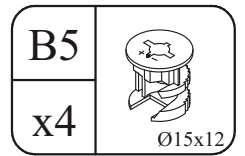
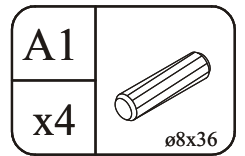
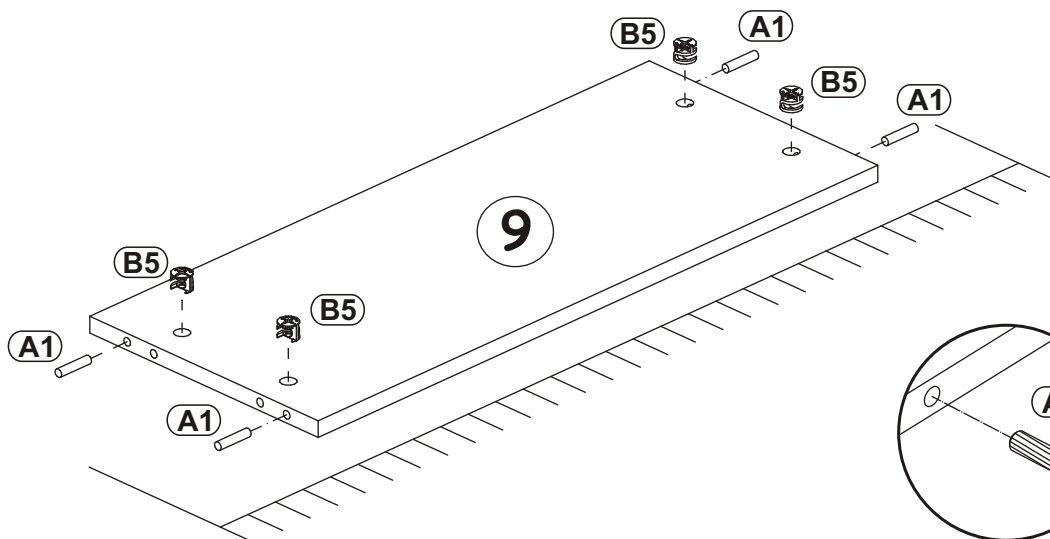


# DINO TYP 6

4

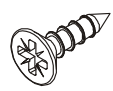
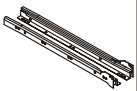
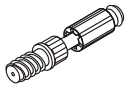


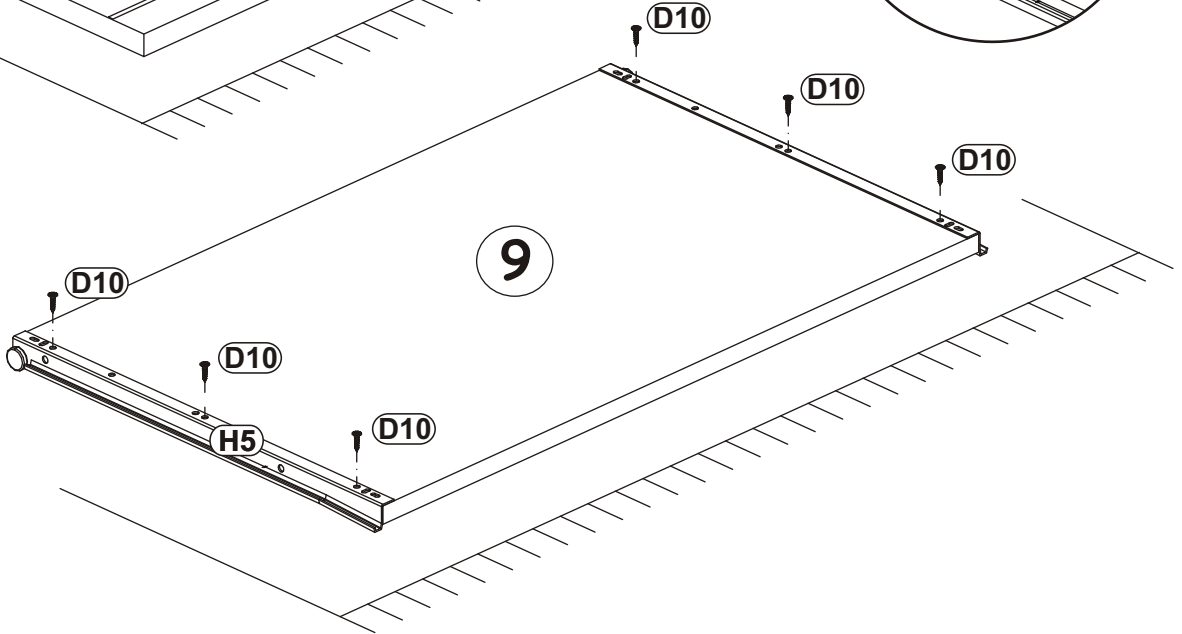
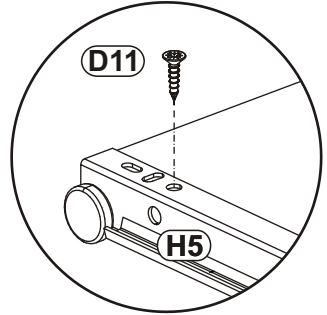
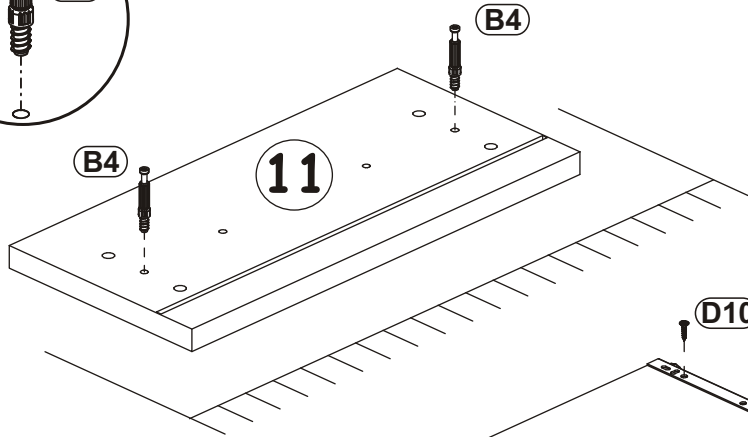
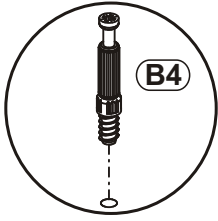
5




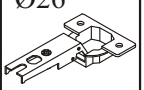
# DINO TYP 6

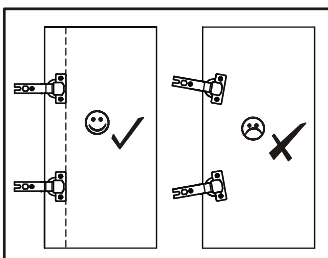
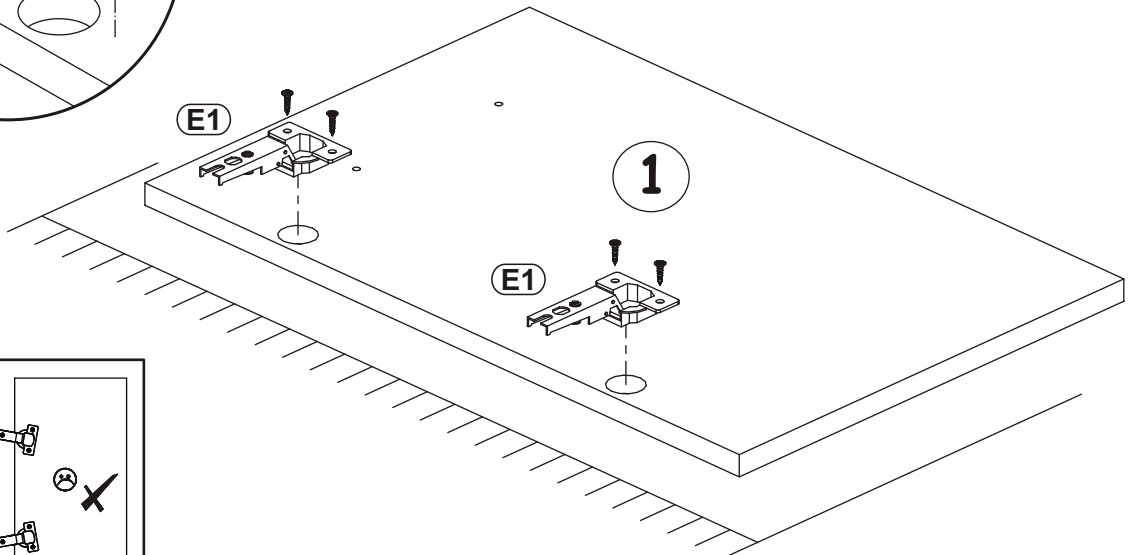
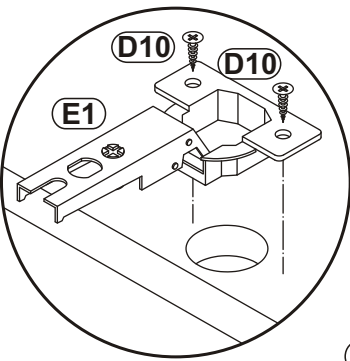
6

|     |  |    |   |    |   |
|-----|--|----|---|----|---|
| D10 |  | H5 |  | B4 |  |
| x6  | USØ3,5x13  | x1 | L-400mm.  | x2 |   |




7

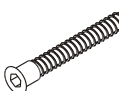
|     |   |    |   |
|-----|---|----|---|
| D10 |  | E1 |  |
| x4  | USØ3,5x13   | x2 | Ø26<br>H=0  |





# DINO TYP 6


## 8

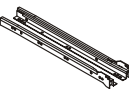
|     |  |
|-----|--|
| D10 |  |
| x6  | USØ3,5x13  |

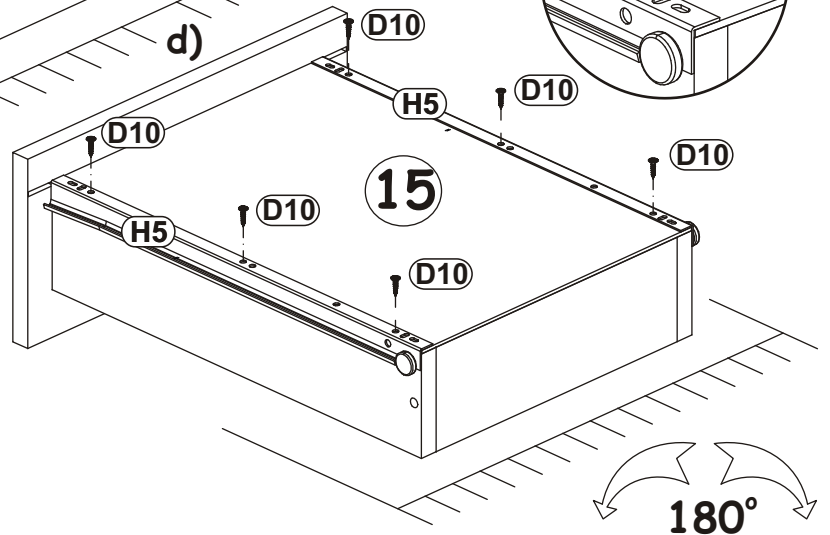
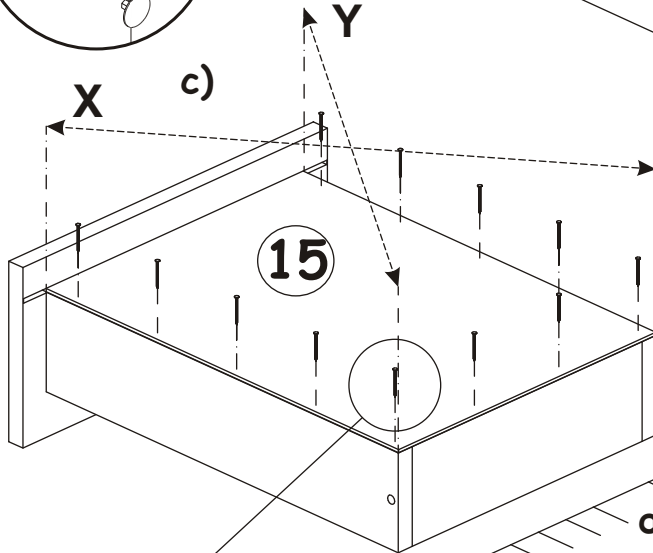
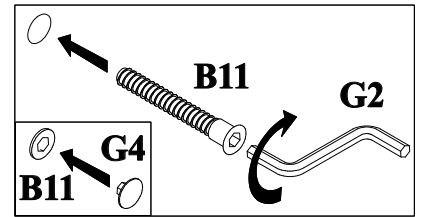
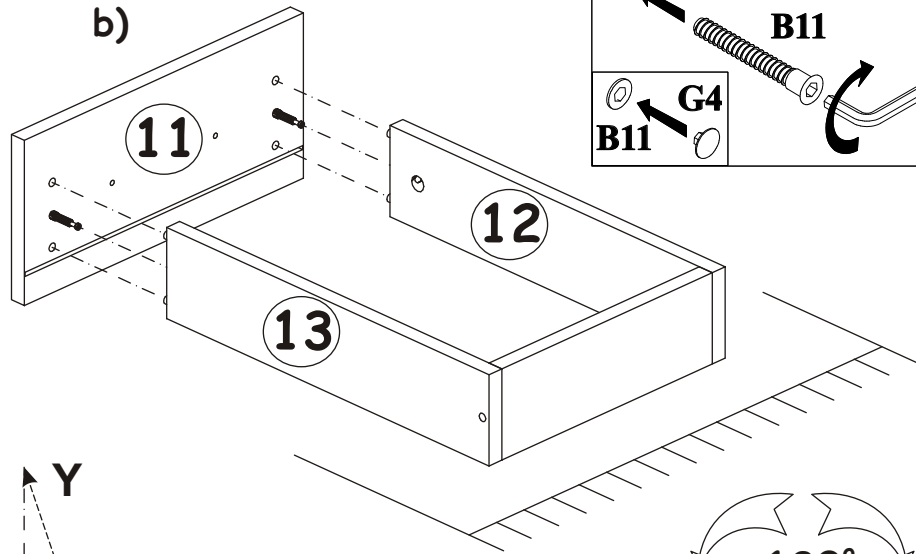
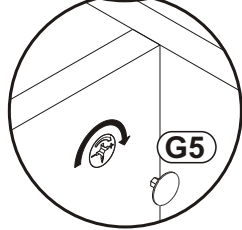
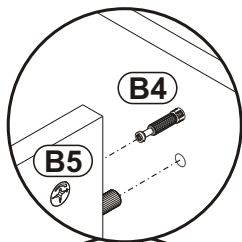
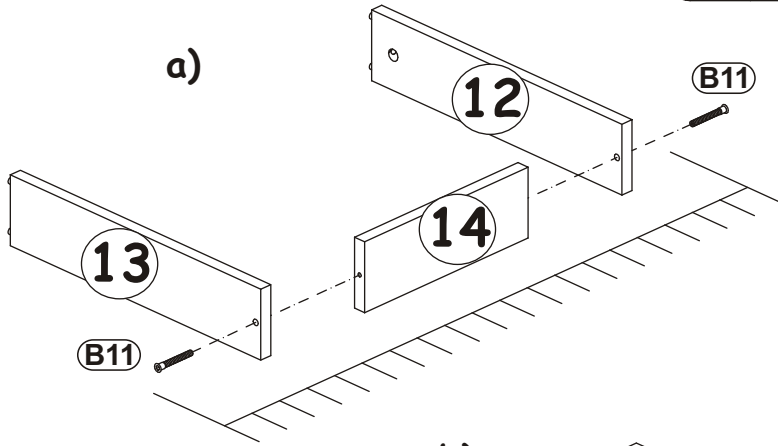
|     |   |
|-----|---|
| B11 |  |
| x2  | Ø7x50   |

|    |   |
|----|---|
| G4 |  |
| x2 |   |

|     |   |
|-----|---|
| B3  |  |
| x12 | Ø1,4x25   |

|    |   |
|----|---|
| G5 |  |
| x2 |   |

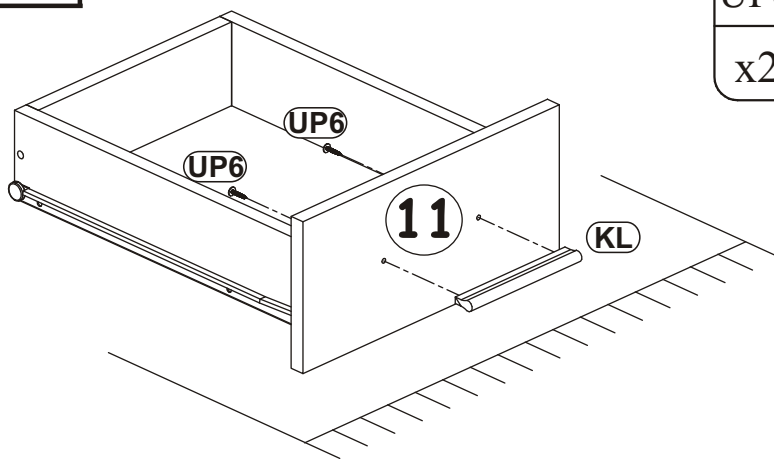
|    |   |
|----|---|
| H5 |  |
| x1 | L-400mm.  |


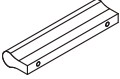




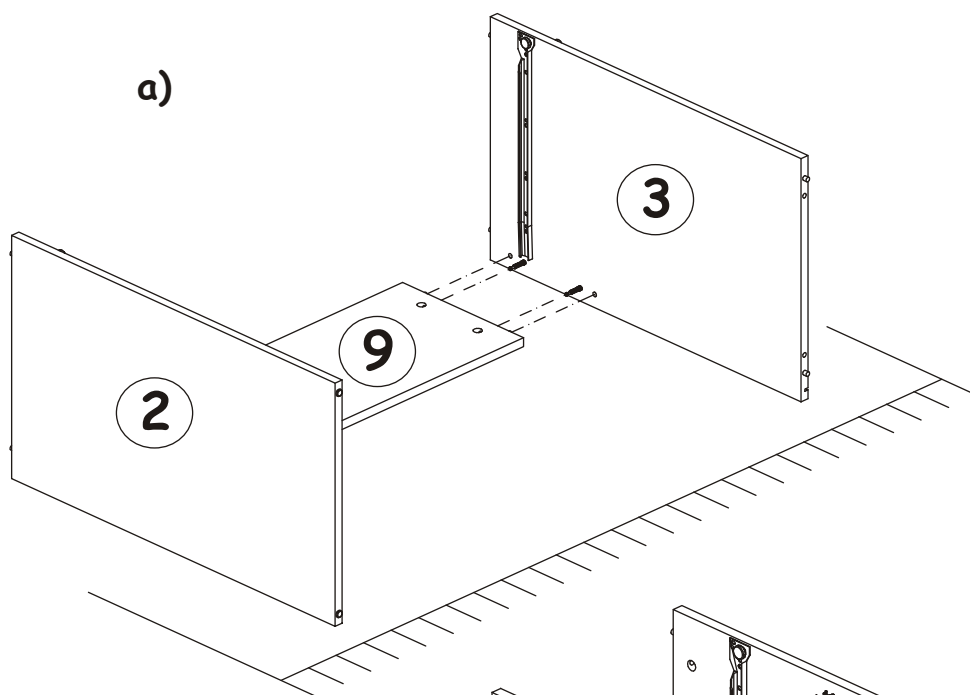
# DINO TYP 6


## 9

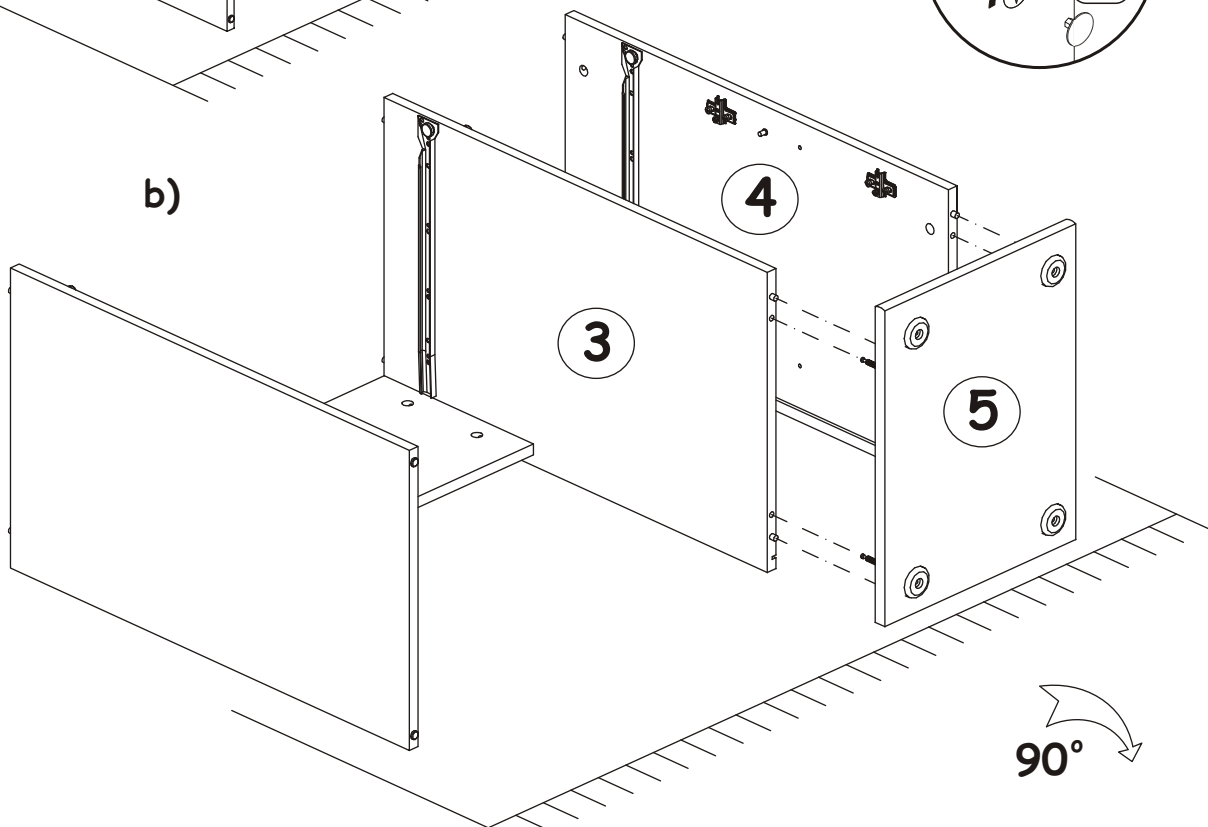
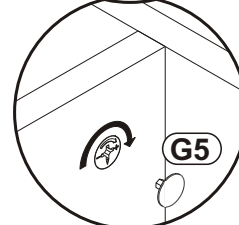
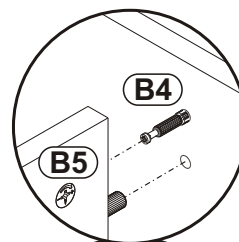


|     |   |    |   |
|-----|---|----|---|
| UP6 |  | KL |  |
| x2  | UPØ4x30   | x1 | L-148mm.  |

## 10



|    |   |
|----|---|
| G5 |  |
| x8 |   |

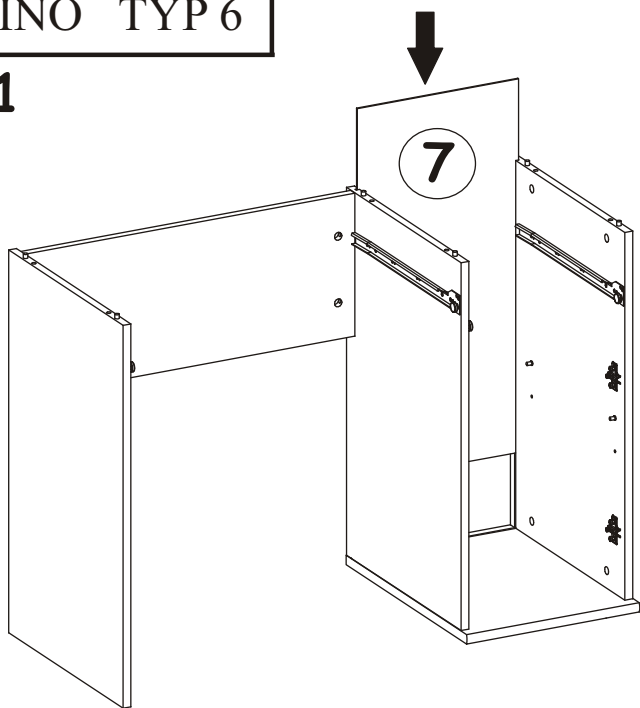



90°

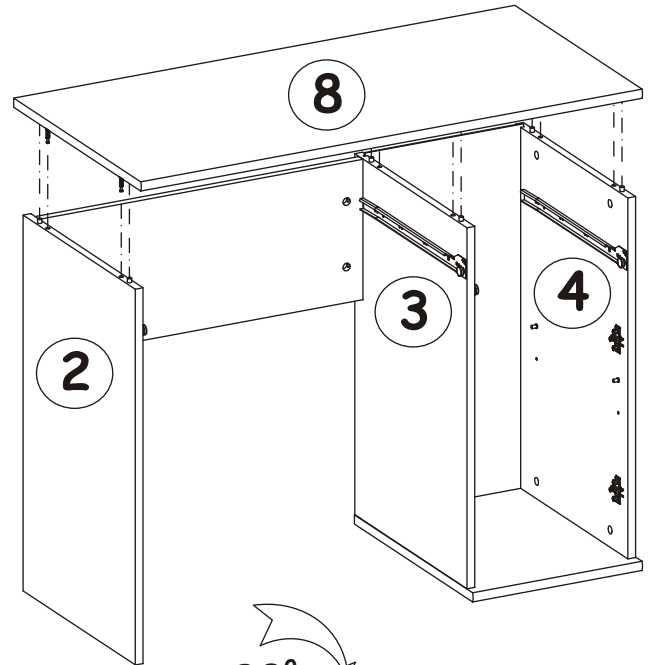


DINO TYP 6

11

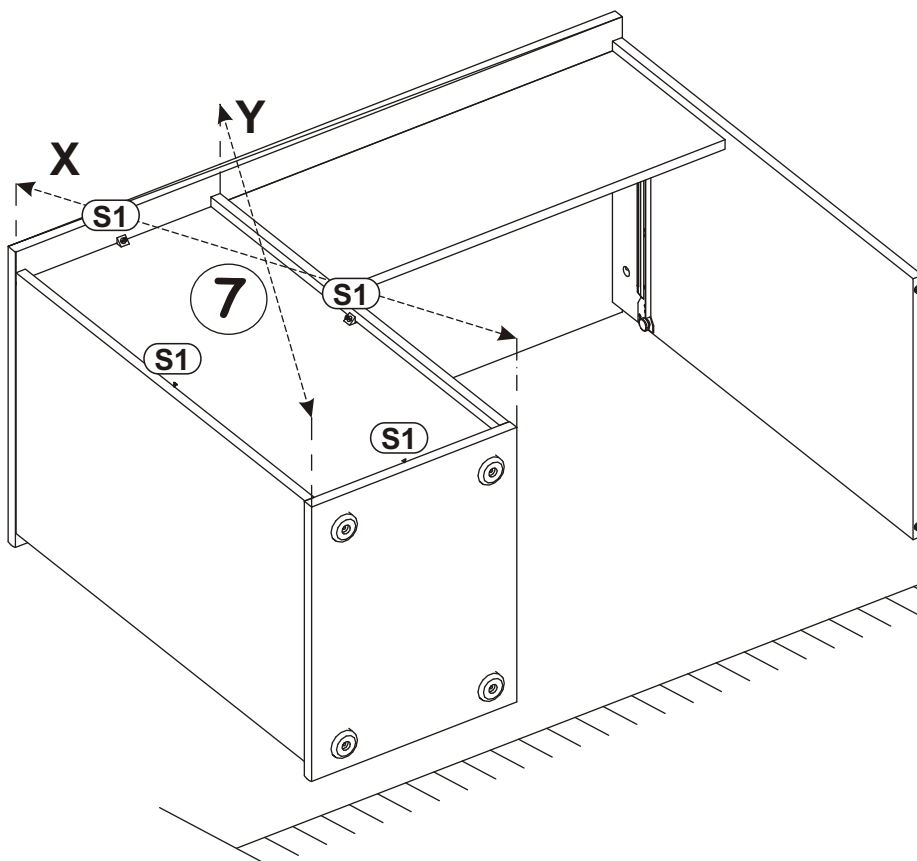


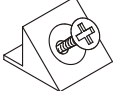
|    |   |
|----|---|
| G5 |  |
| x6 |   |

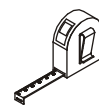


90°

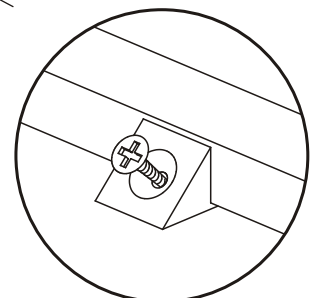
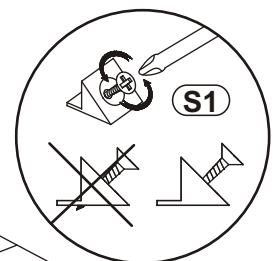
12


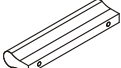


|    |   |
|----|---|
| S1 |  |
| x4 |   |



X=Y 90°



|     |   |    |   |
|-----|---|----|---|
| UP6 |  | KL |  |
| x2  | UPØ4x30   | x1 | L-148mm.  |

