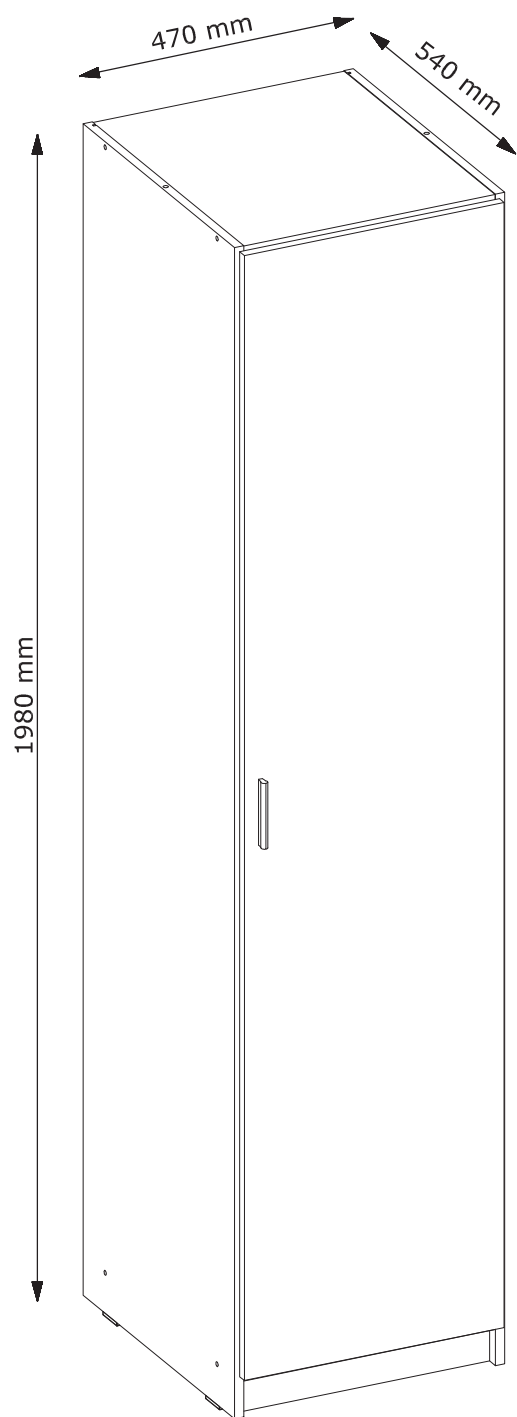
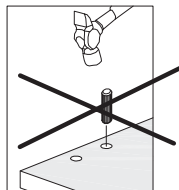
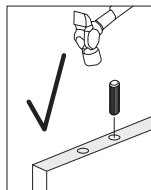
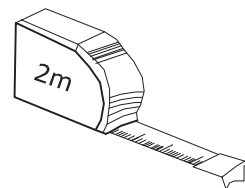
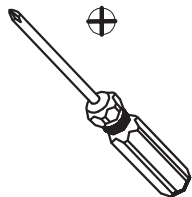
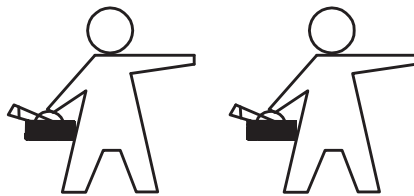
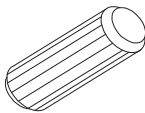
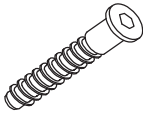
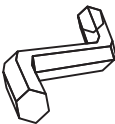

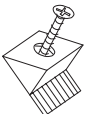


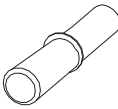
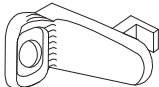

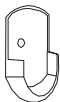

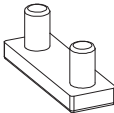
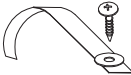

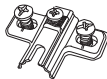
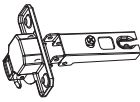
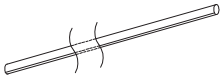
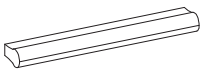


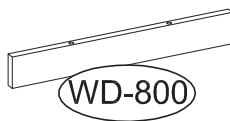
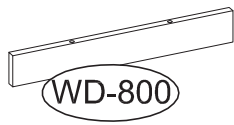
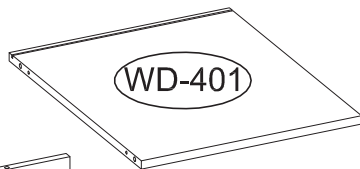
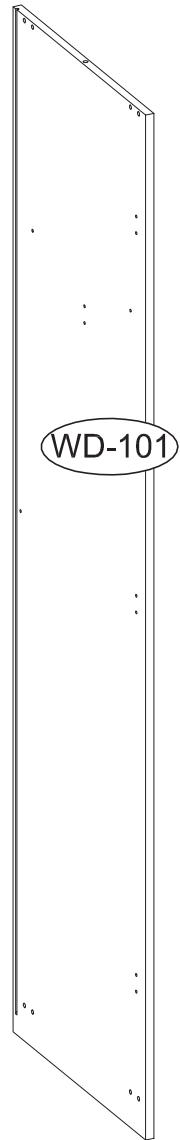
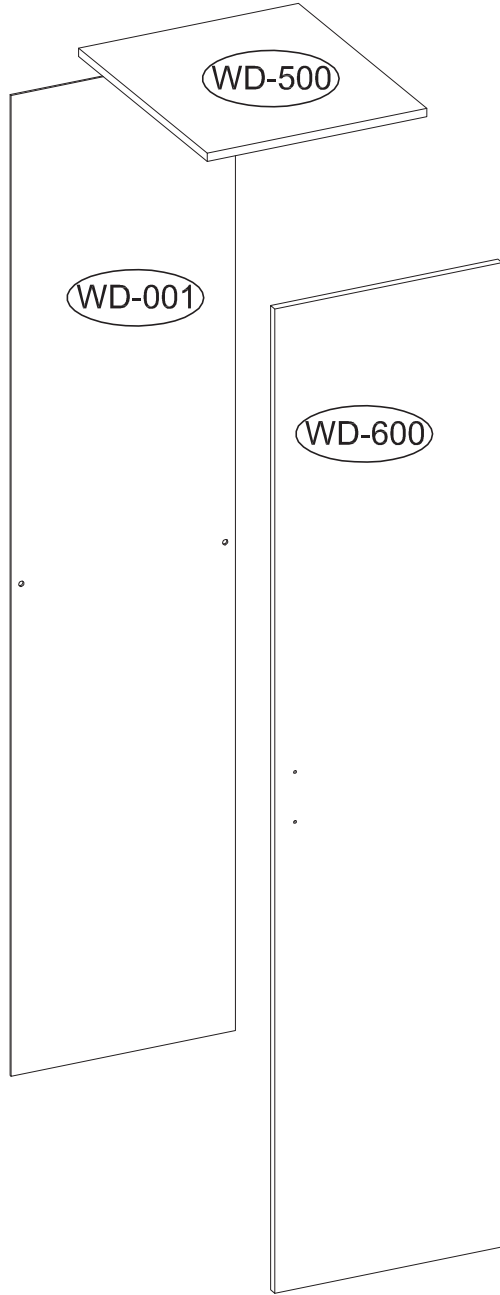
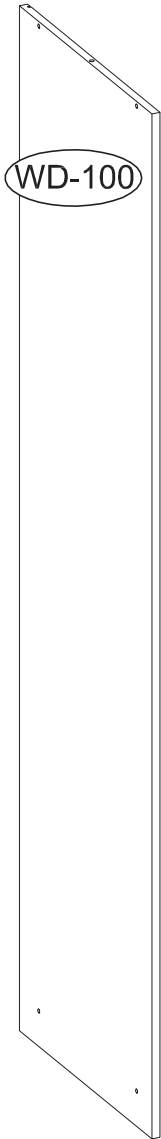
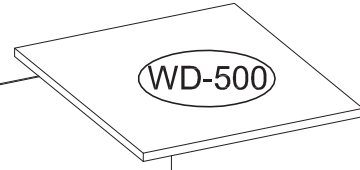
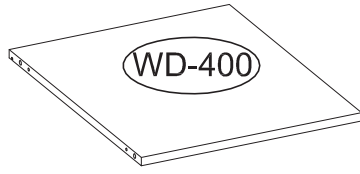
# SNOW

# 01

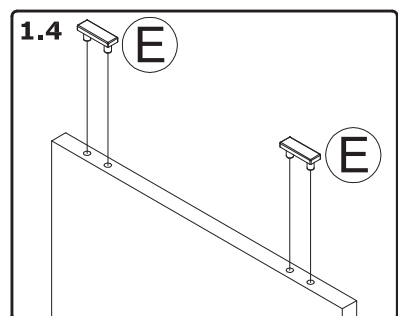
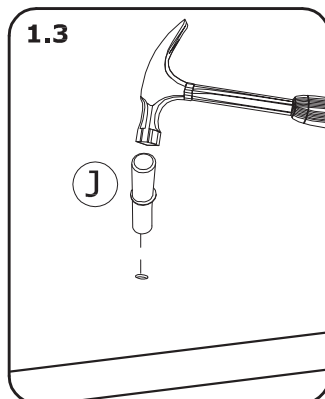
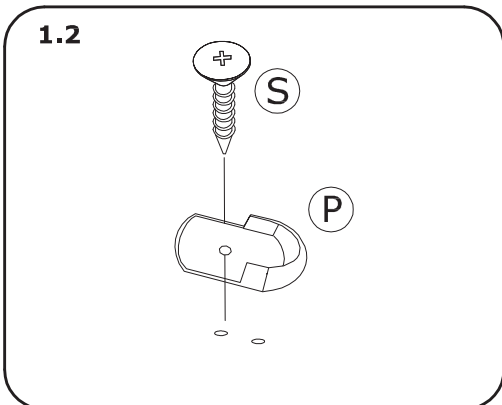
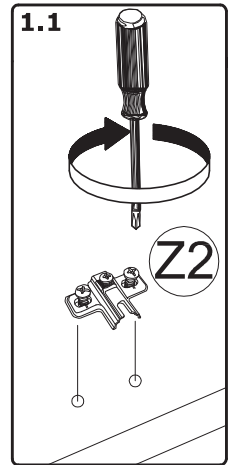
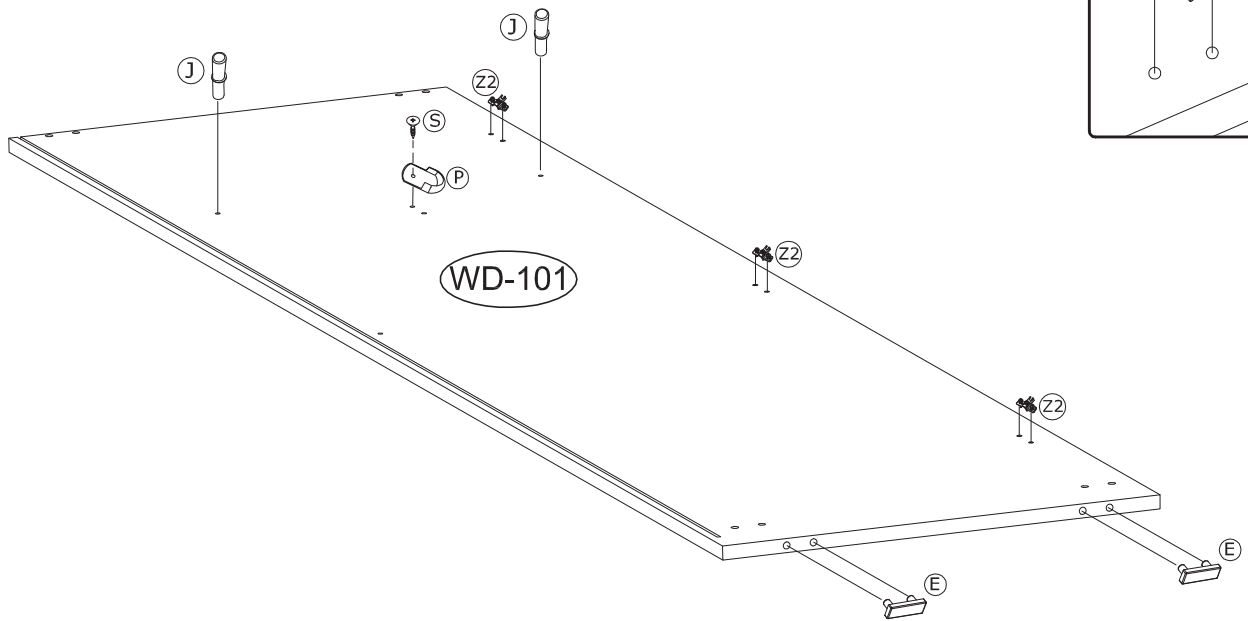
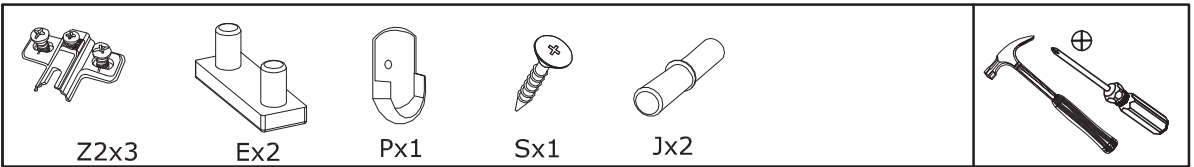




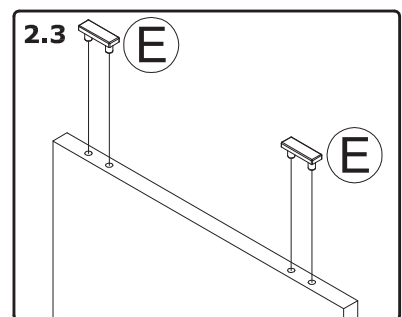
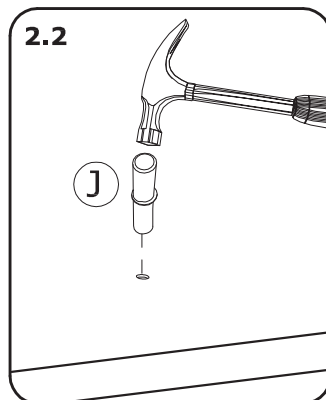
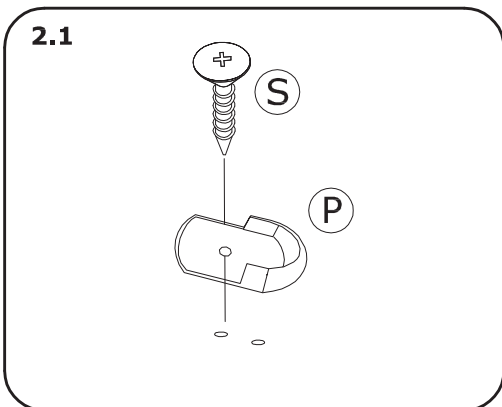
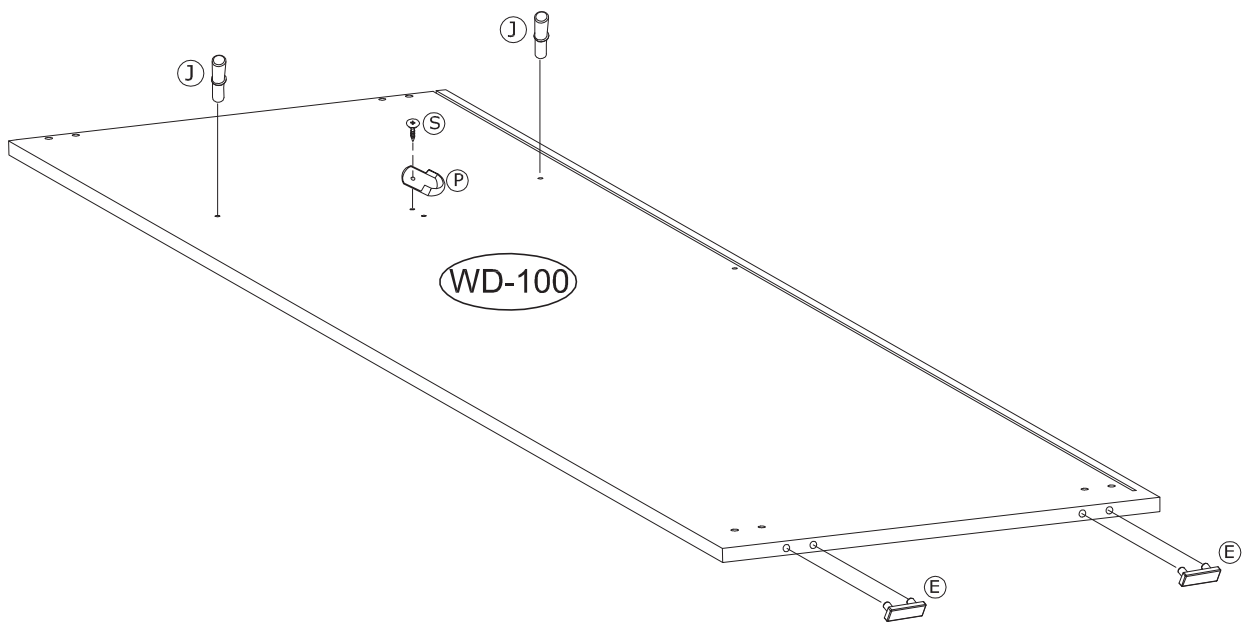
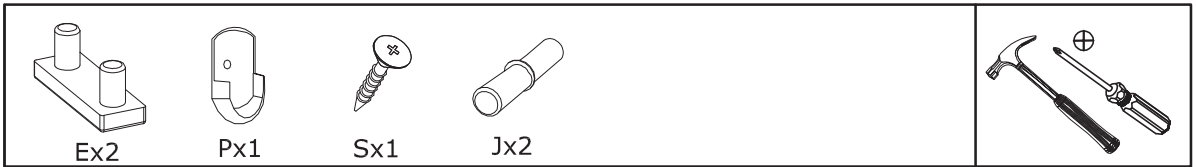
 Ø8x30mm Ax12	 Ø6,4x50mm T-8	 4,0 mm V1-1	 C-8
 Ox20	 Ø3.5x16mm Hx6	 Ø4,0x25mm Rx2	 5 mm Jx4
 Gx2	 Ø6.3x11mm EUx2	 Px2	 Ø3.0x13mm Sx2
 Ex4	 Wx1	 KLx1	 Z2x3
 Z1x3	 L=424 mm DRx1	 Lx1	



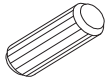
1



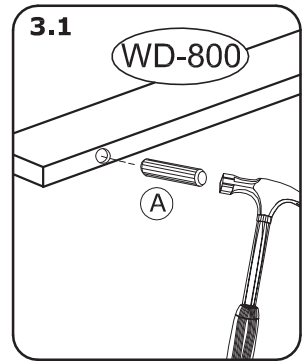
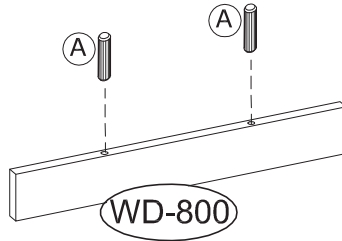
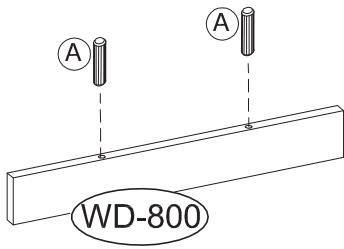
2



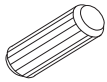
3



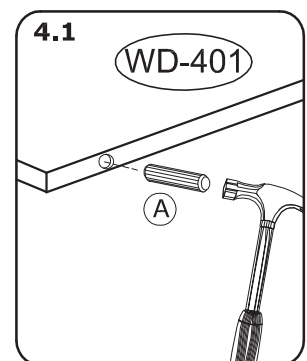
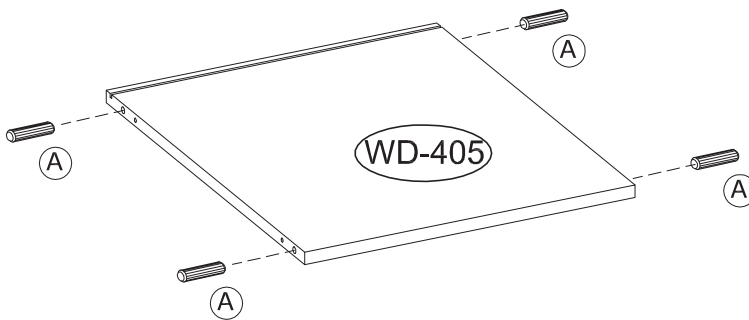
Ax4



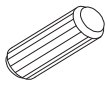
4



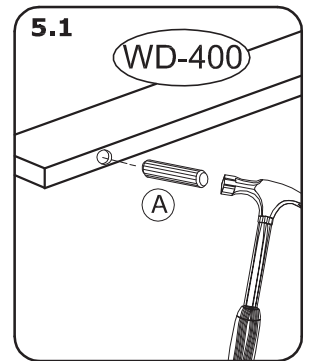
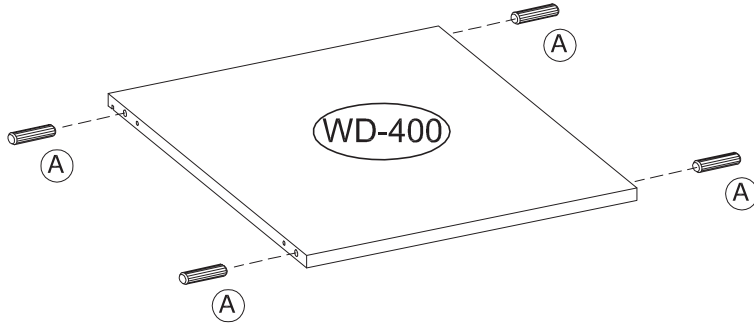
Ax4



5



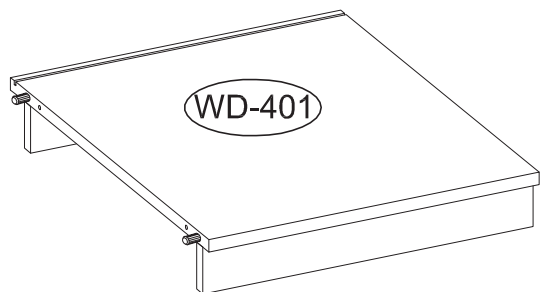
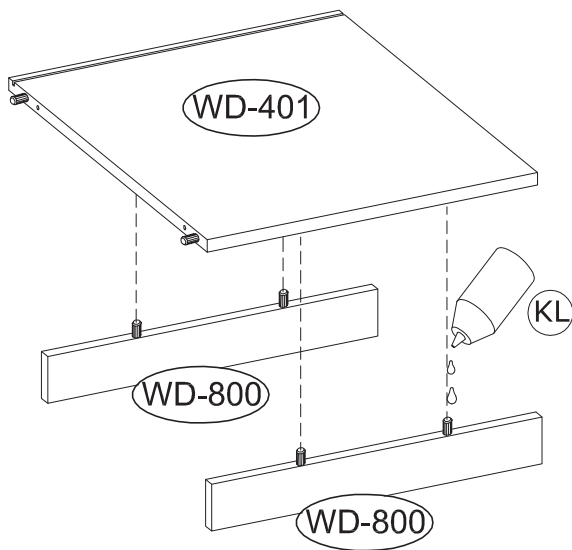
Ax4



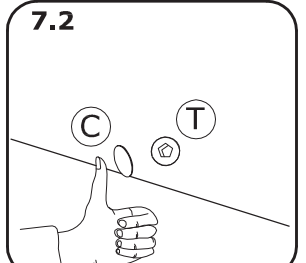
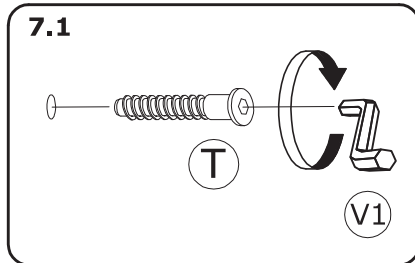
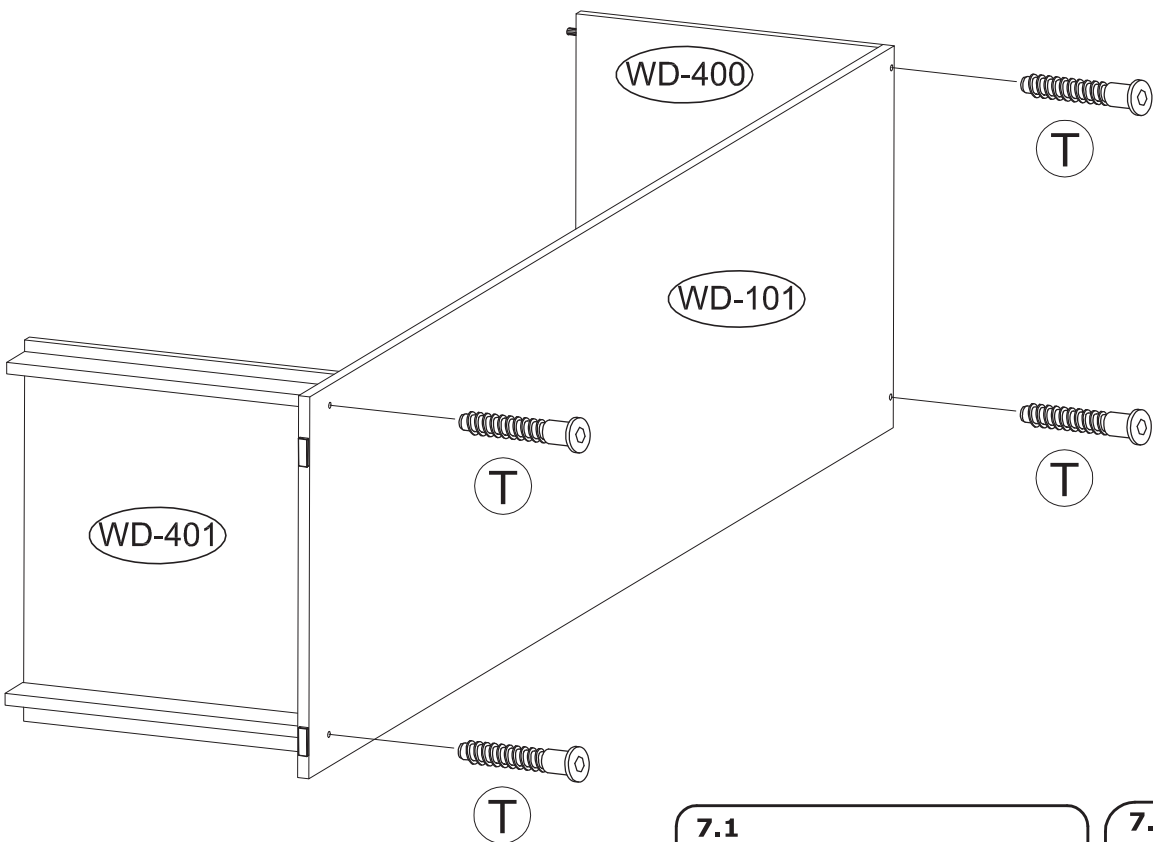
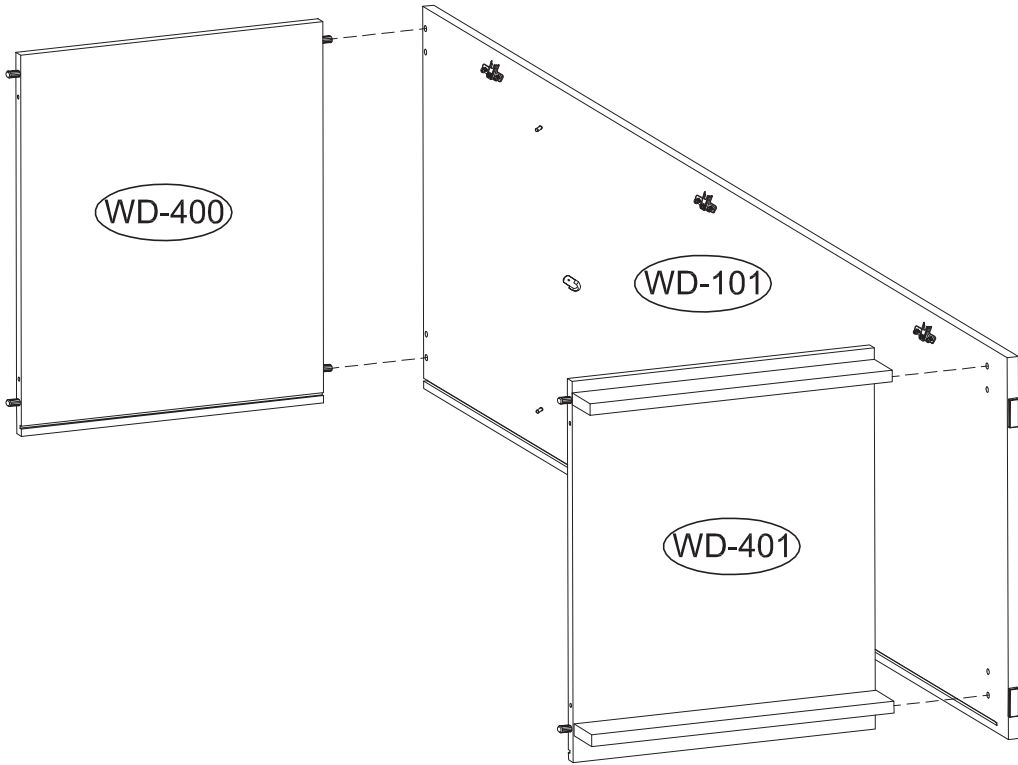
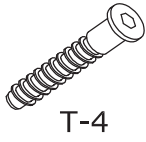
6



KLx1

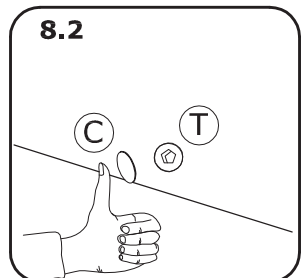
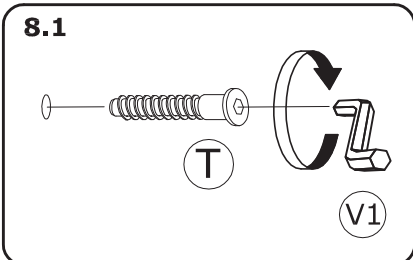
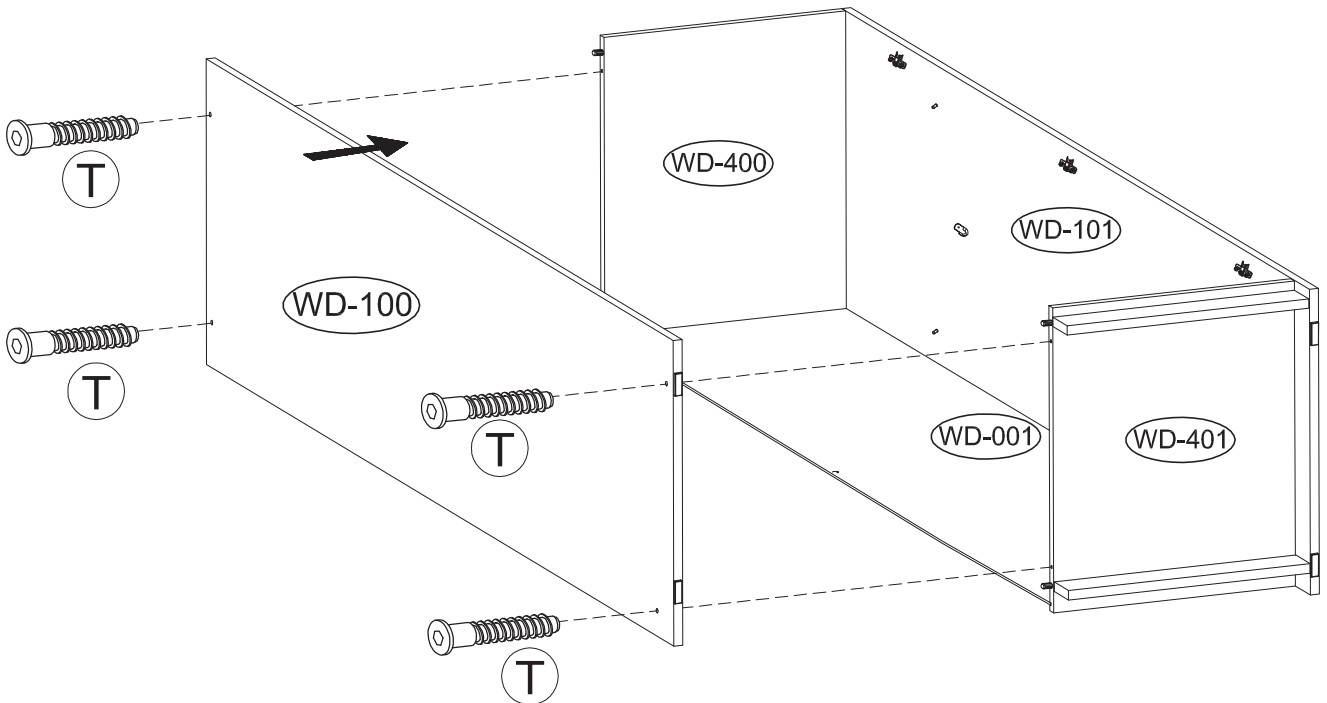
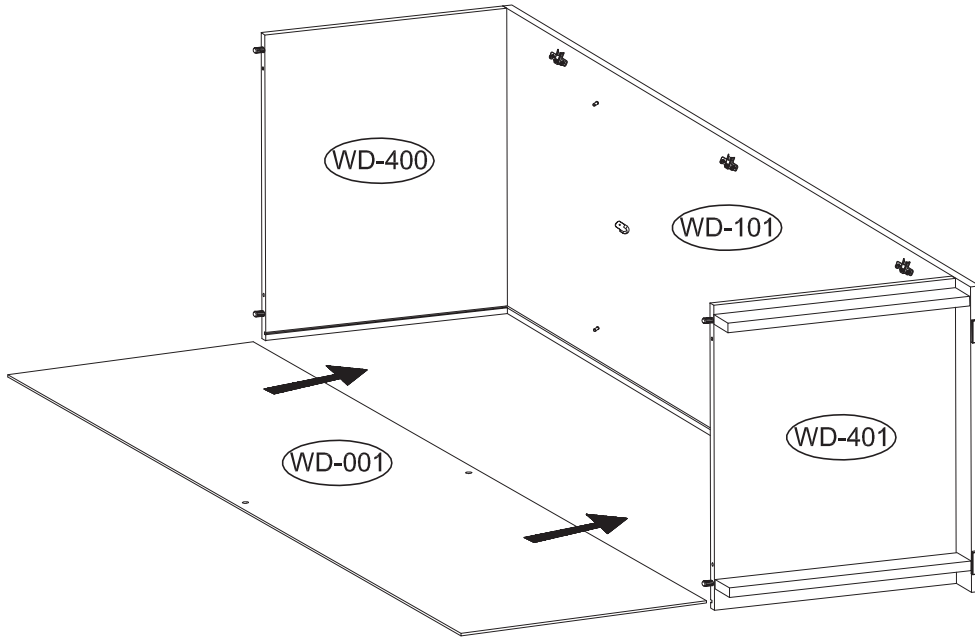
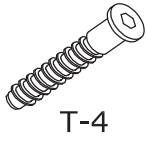


7

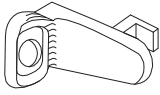




8



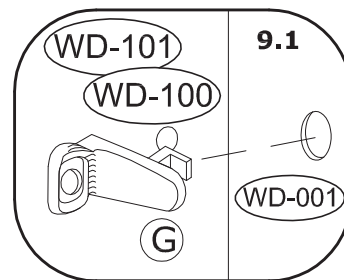
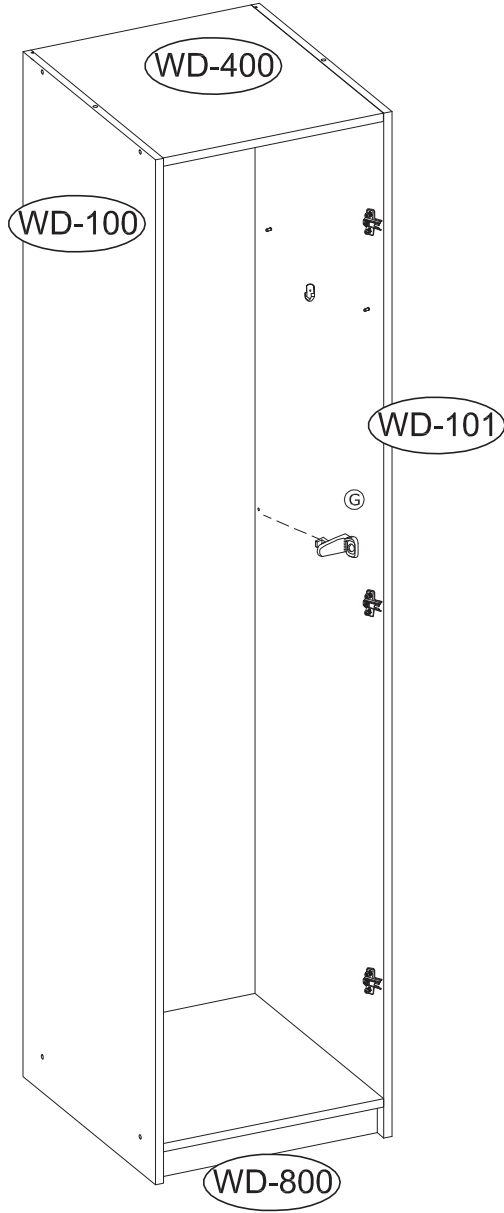
9



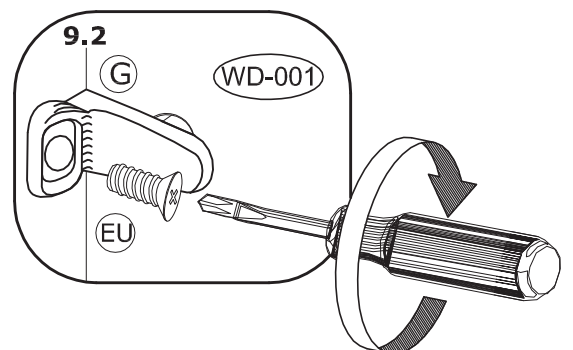
Gx2



EUx2

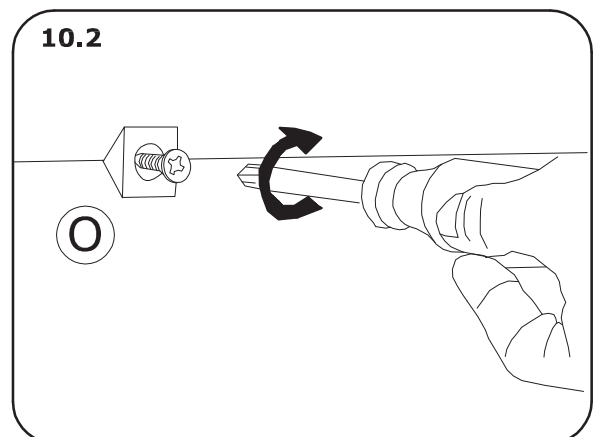
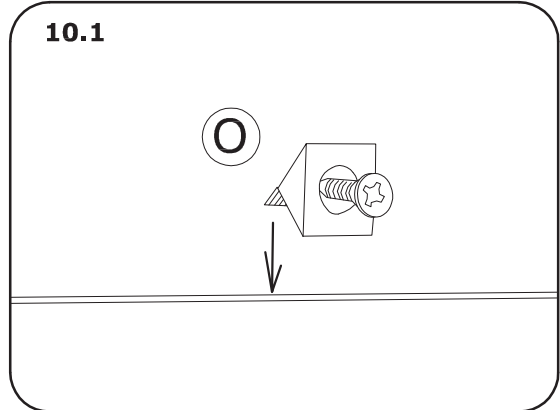
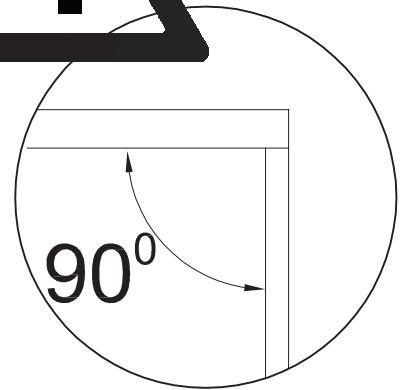
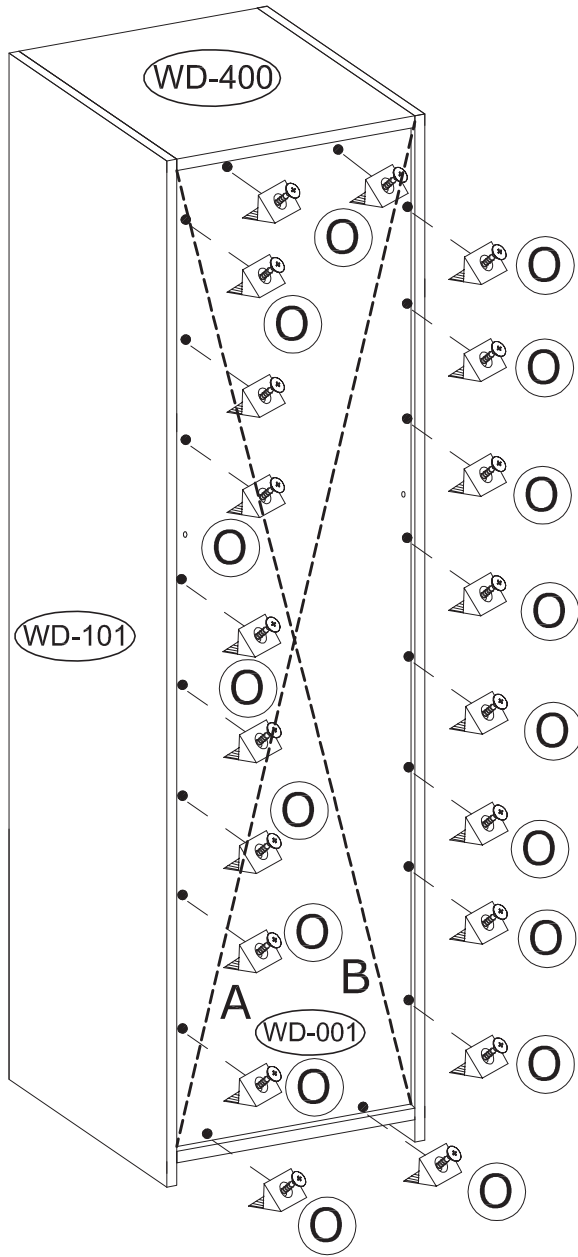
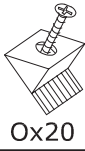


9.1

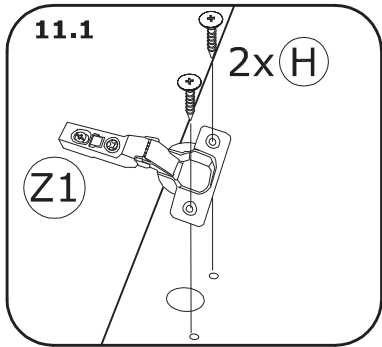
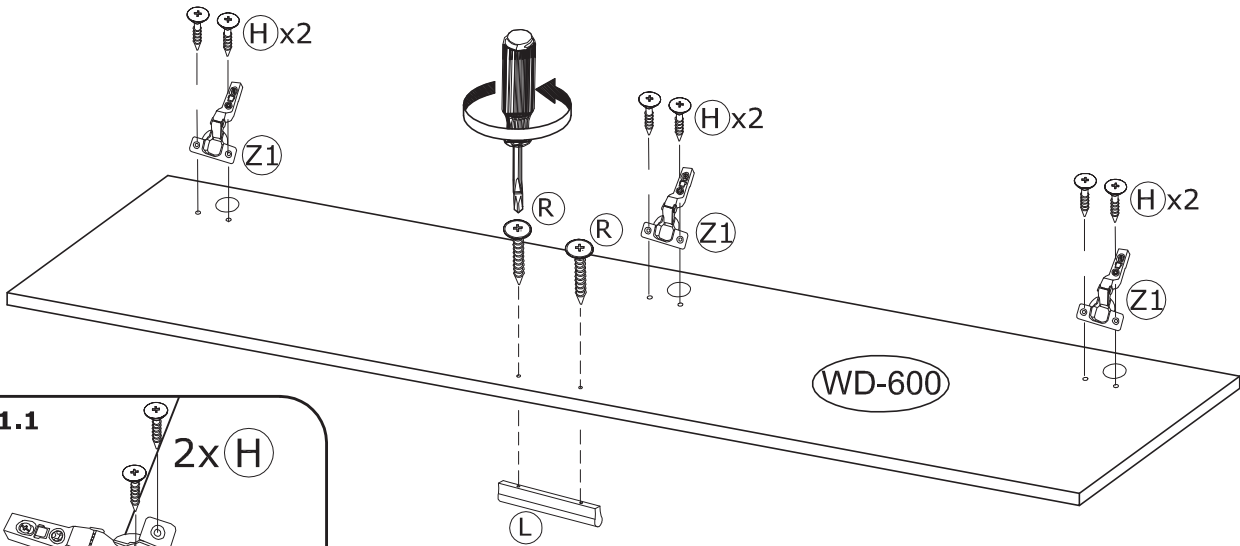
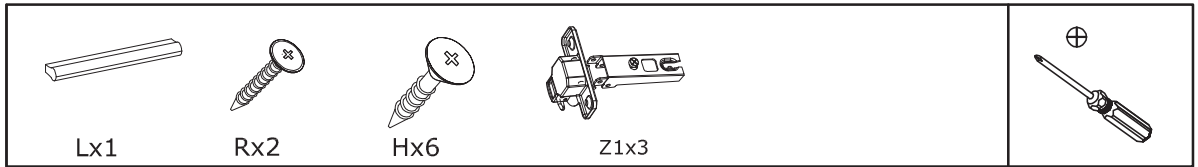


9.2

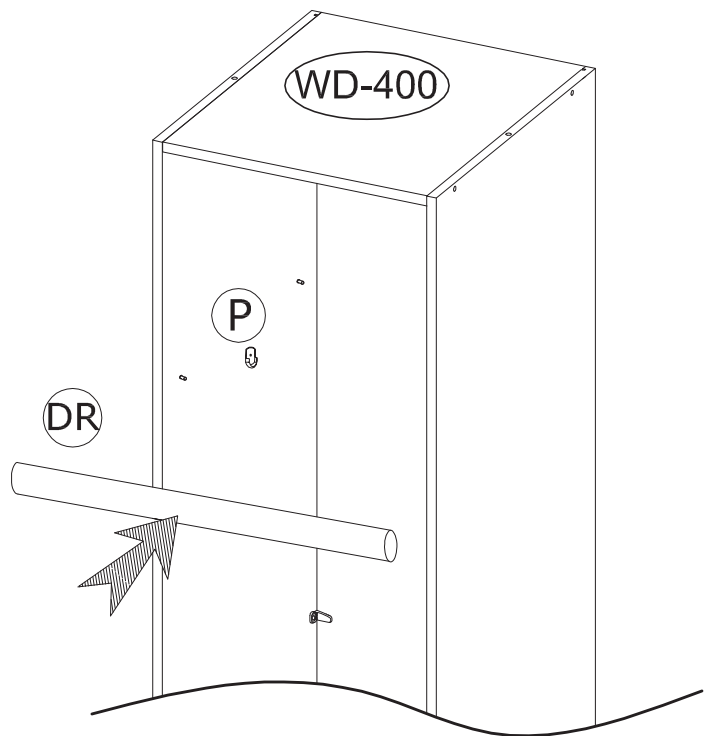
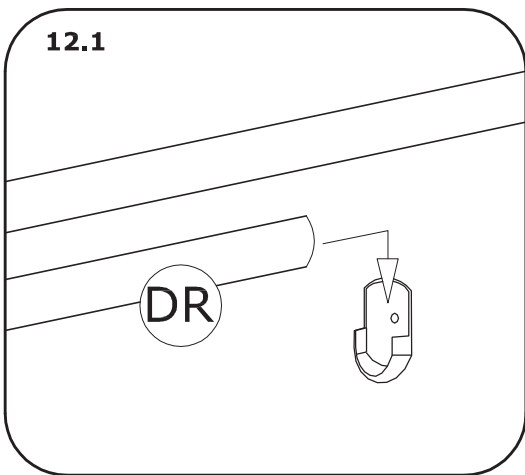
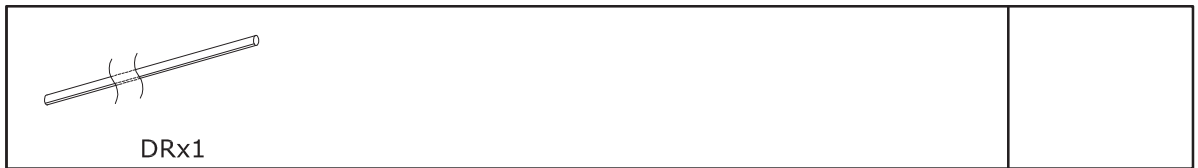
10



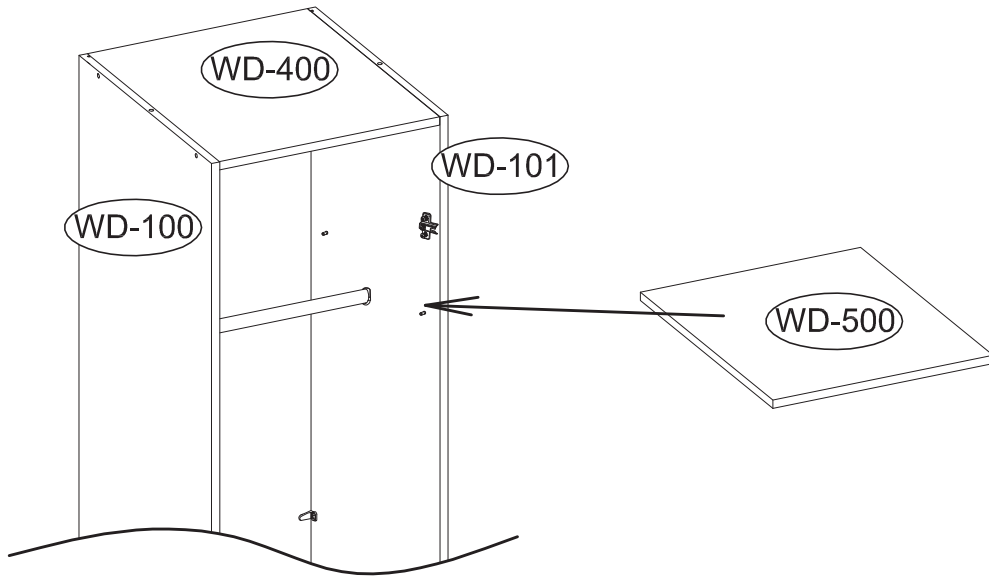
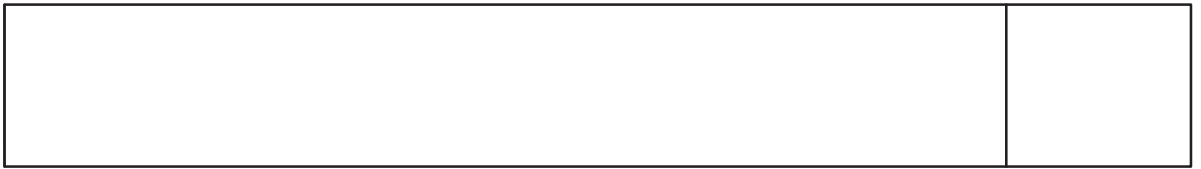
11



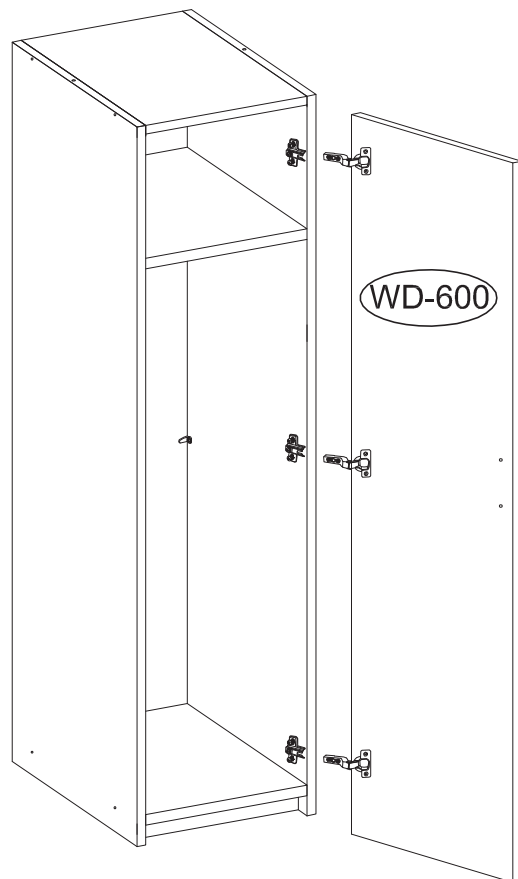
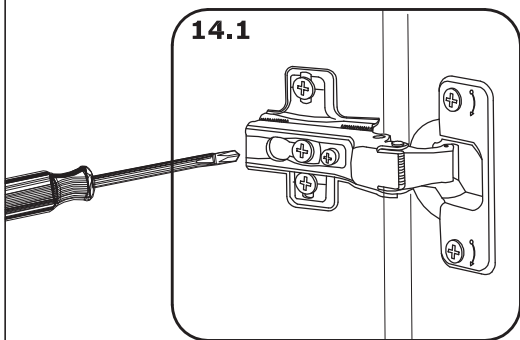
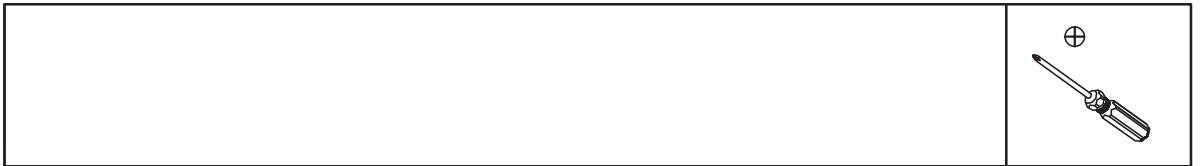
12

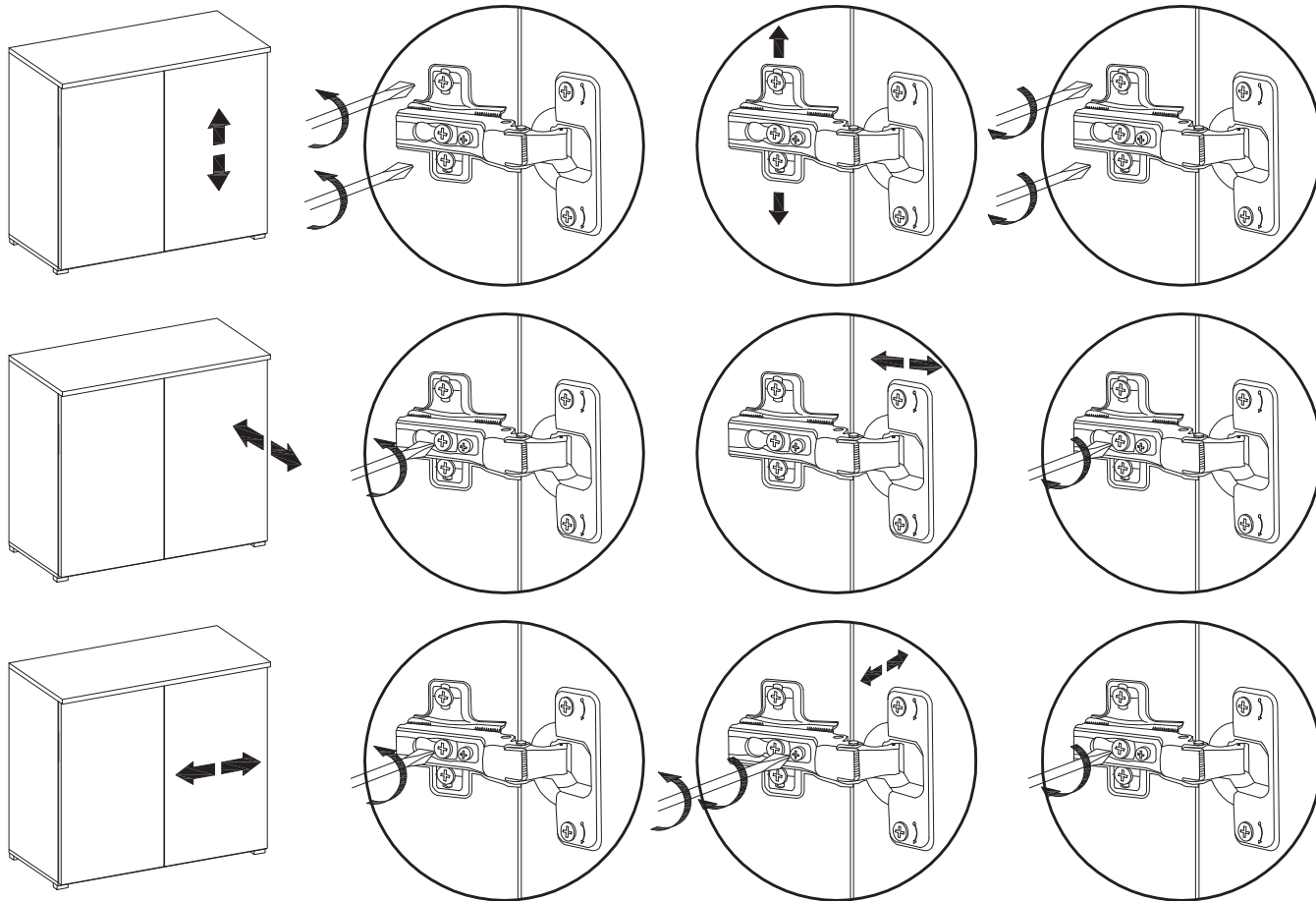


13

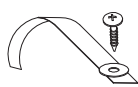


14





15



Wx1

