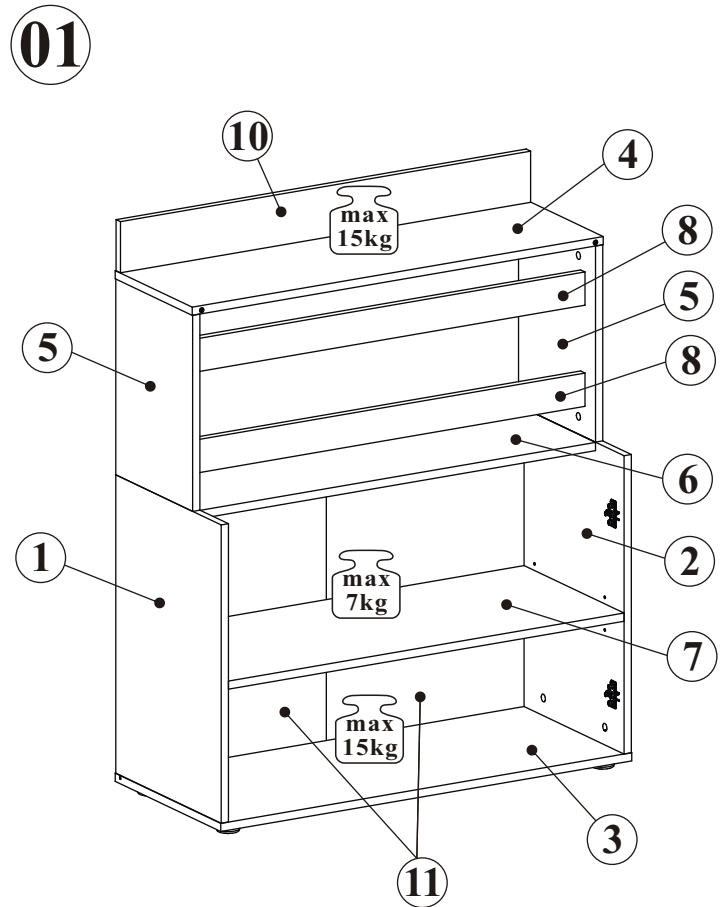
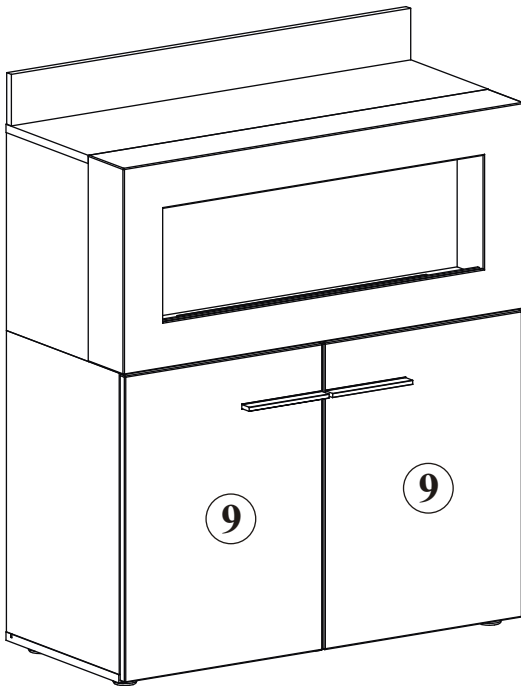
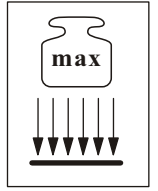
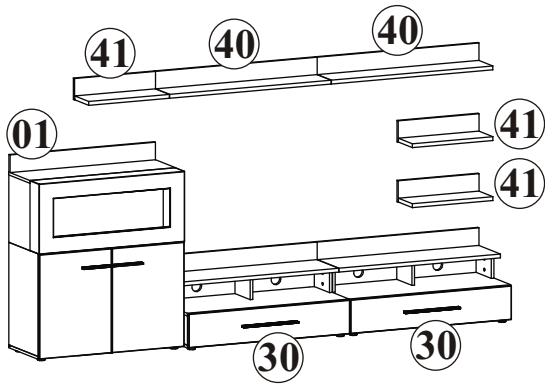
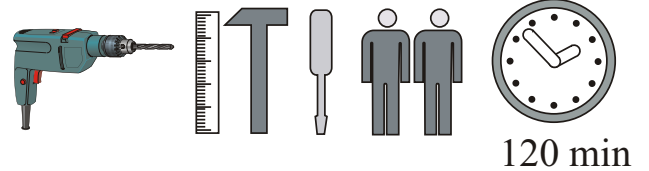


# CAMINO TYP 01



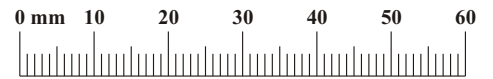
NO	Dim.		Col.-No	Qty
1	584	384	1	1
2	584	384	1	1
3	900	384	1	1
4	900	280	1	1
5	384	280	1	2
6	866	280	1	1
7	866	364	1	1
8	866	65	1	2
9	445	594	1	2
10	898	100	1	1
11	579	439	1	2



120 min

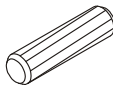
# CAMINO TYP 01

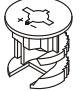
A1 x24 Ø8x36	B5 x23 Ø15x12	B4 x23	G5 x23	G7 x4	S1 x10
E21 x4 Ø35 H=0	E2 x4 H=0	D10 x12 USØ3,5x13	BG1 x2 L-160mm.	UP6 x6 UPØ4x30	Z2 x4 Ø5
I11 x5 Ø45, h=15	D11 x5 USØ3,5x25	PI x1	UP13 x2 UPØ3x16	KR1 x2	L1 x2
G2 x1					

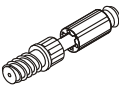


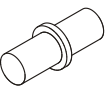
CAMINO TYP 01

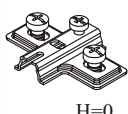
1

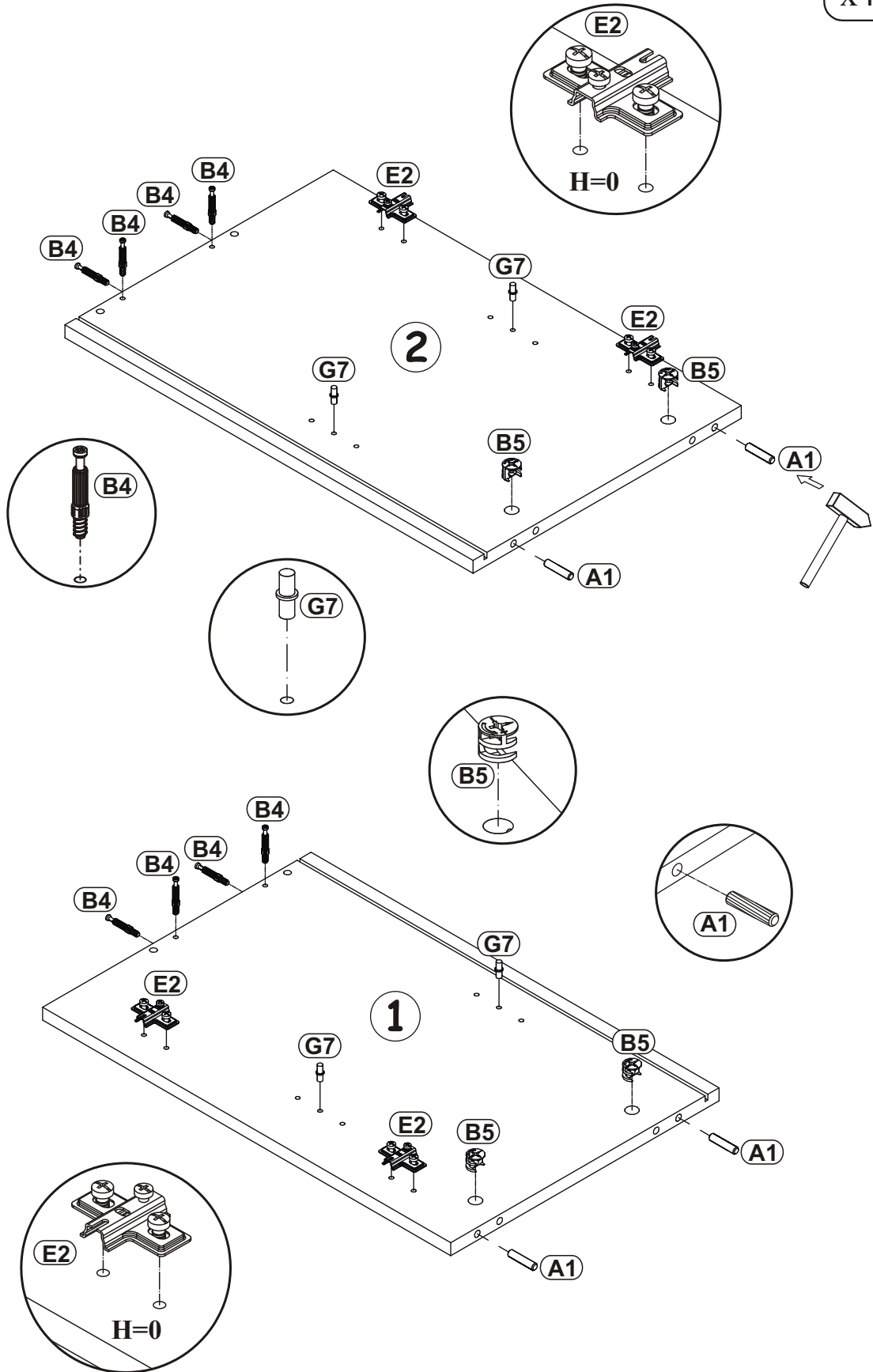
A1	
x4	Ø8x36

B5	
x4	Ø15x12


B4	
x8	

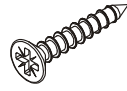
G7	
x4	

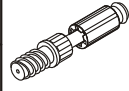
E2	
x4	H=0



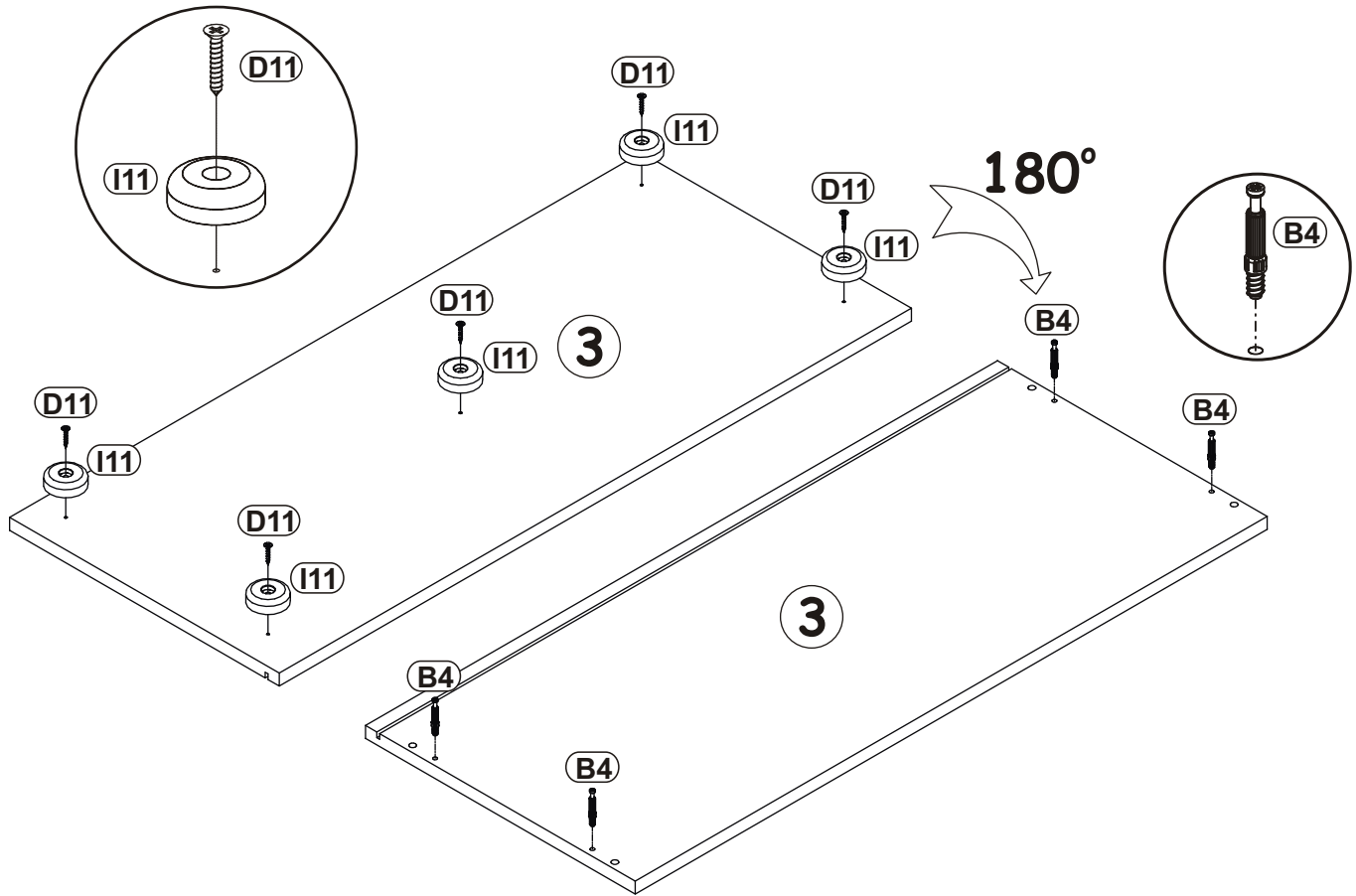
CAMINO TYP 01

I11	
x5	Ø45, h=15

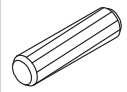
D11	
x5	USØ3,5x25

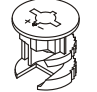
B4	
x4	

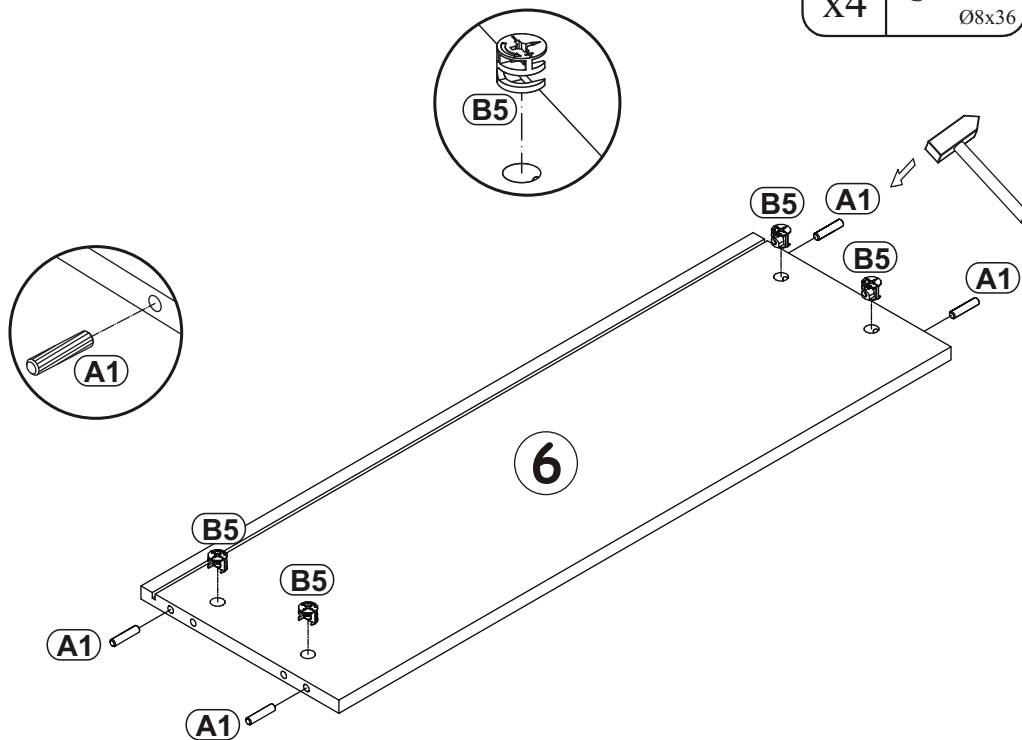
2



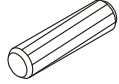

3

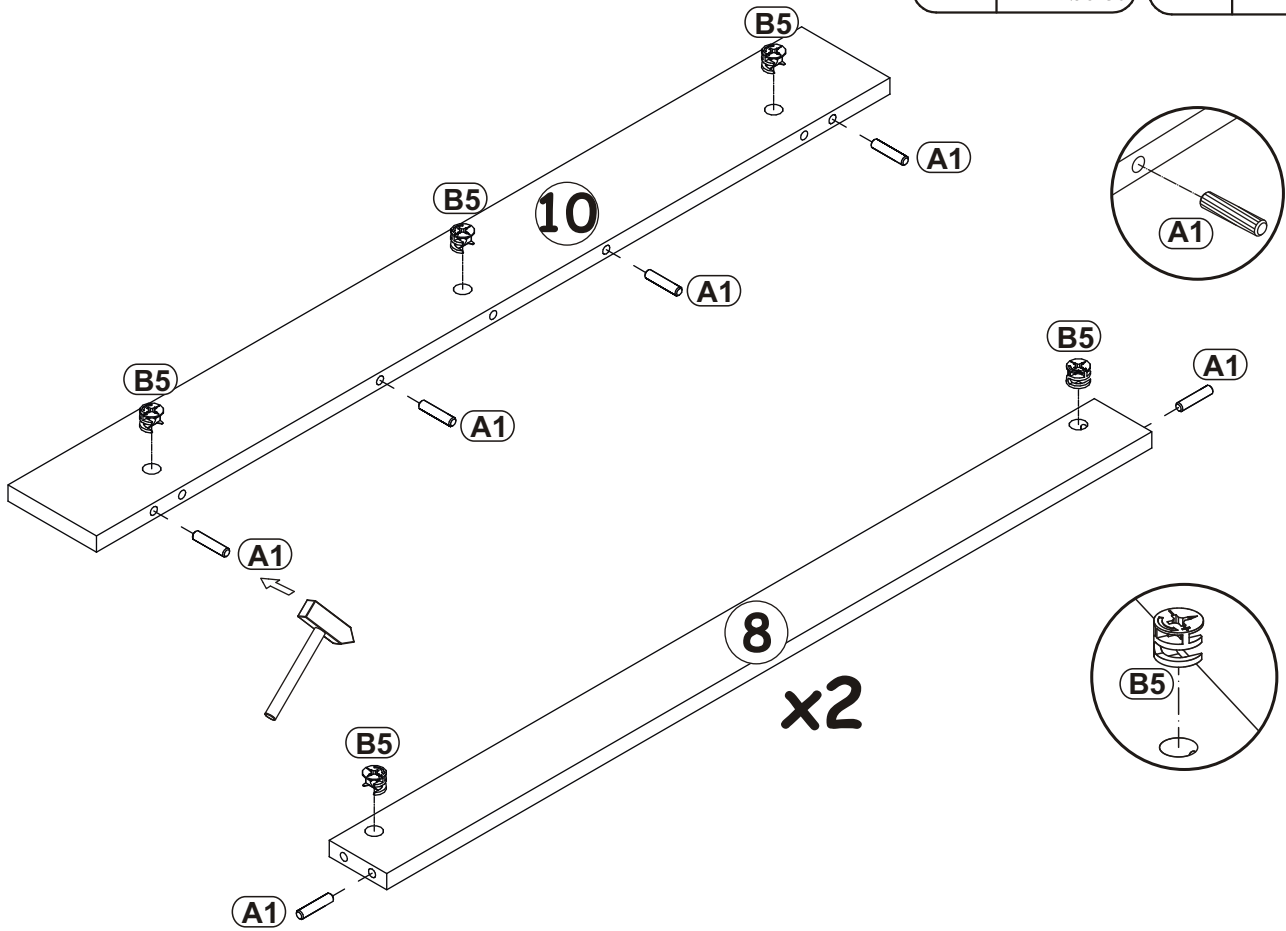
A1	
x4	Ø8x36

B5	
x4	Ø15x12

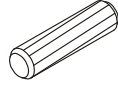
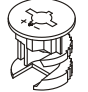
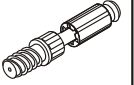


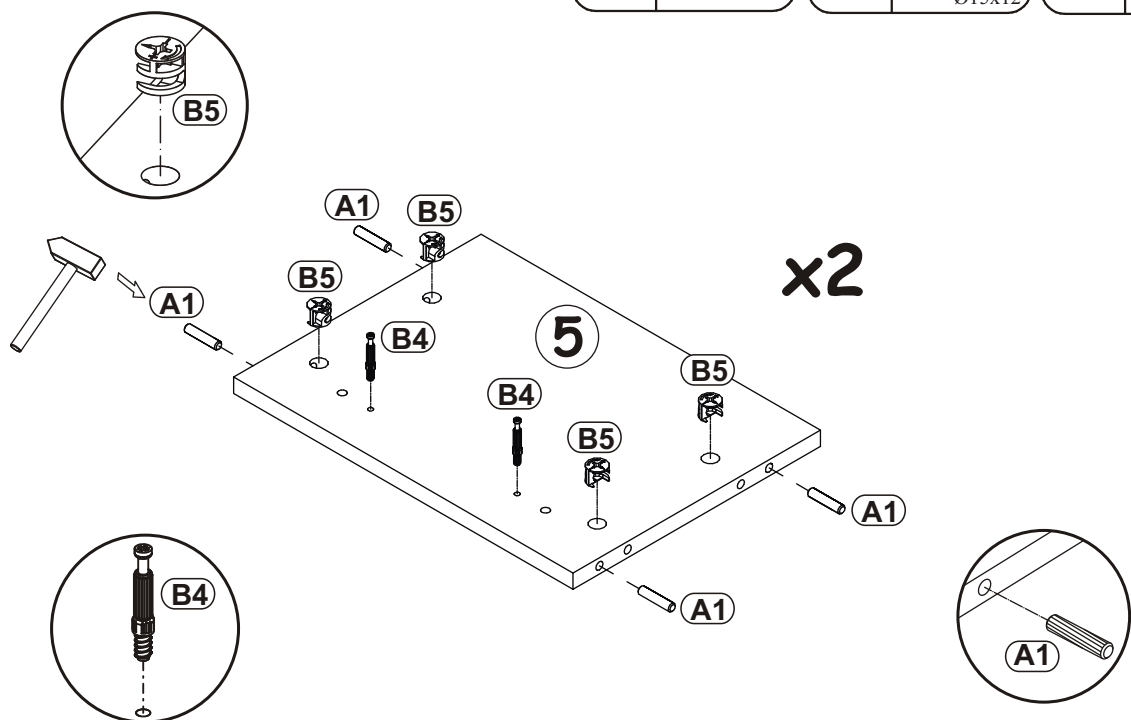
4

A1		B5	
x8	Ø8x36	x7	Ø15x12

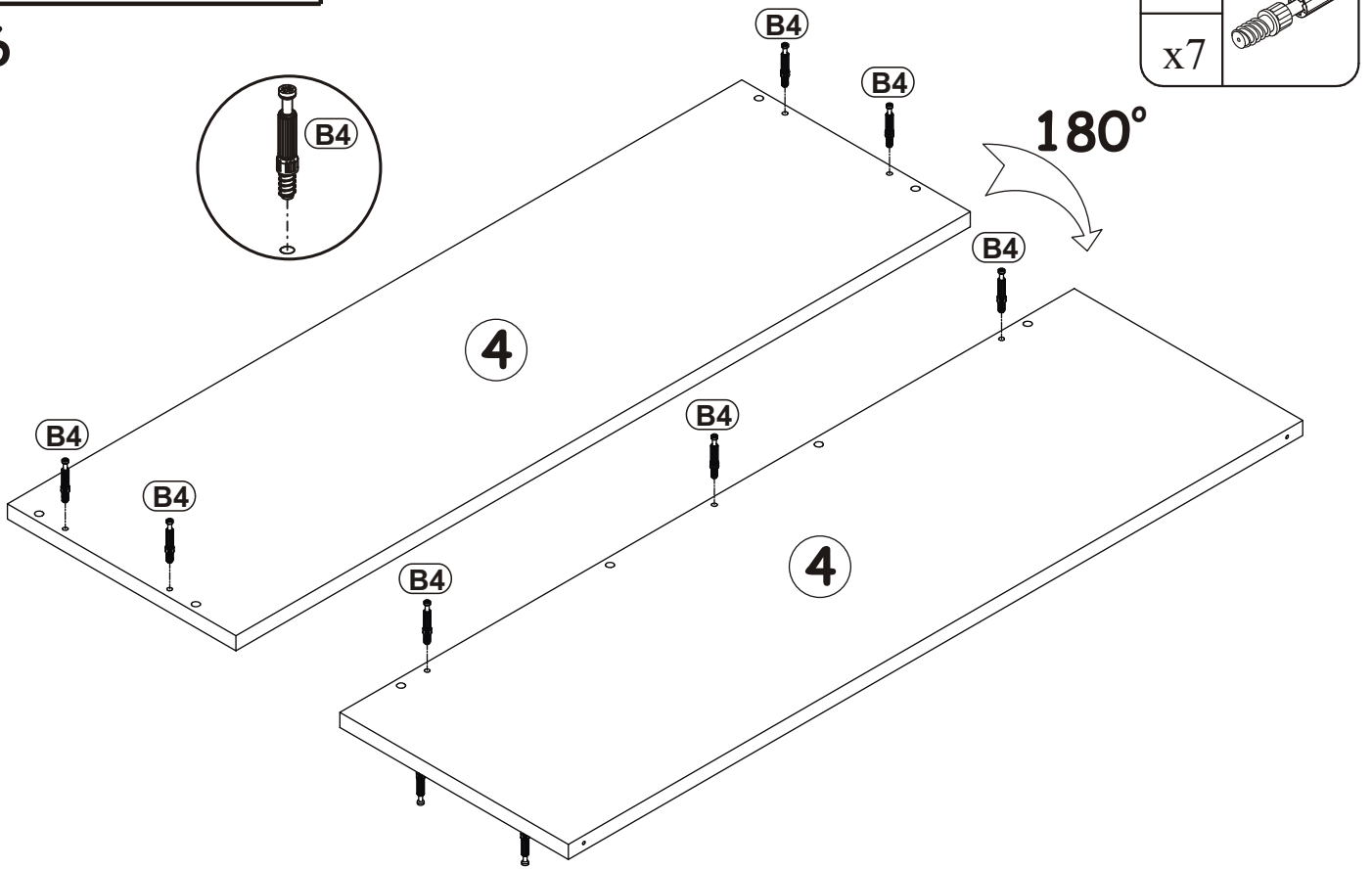


4

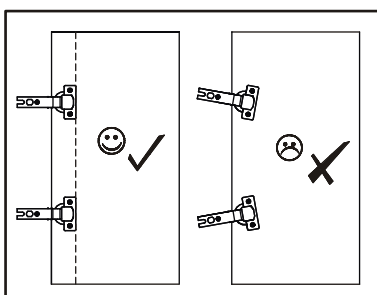
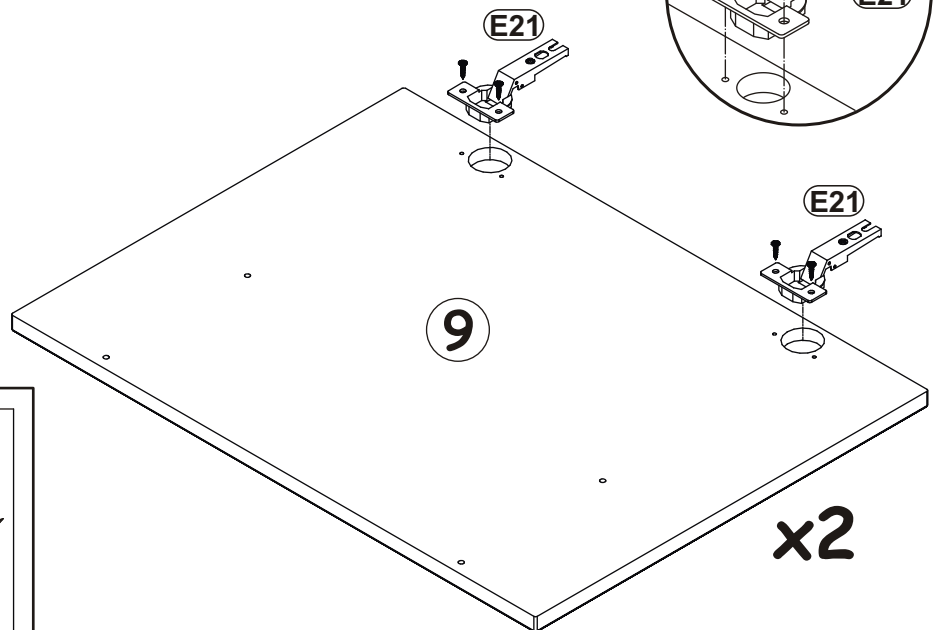
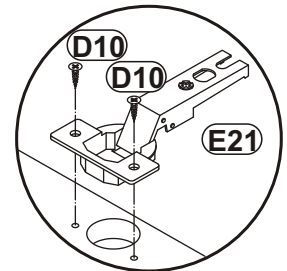
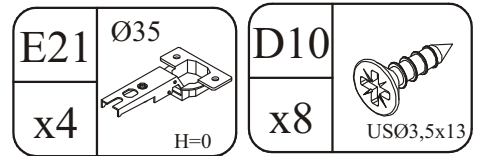
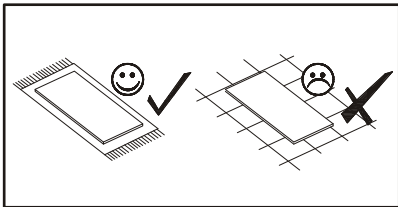
A1		B5		B4	
x8	Ø8x36	x8	Ø15x12	x4	



6

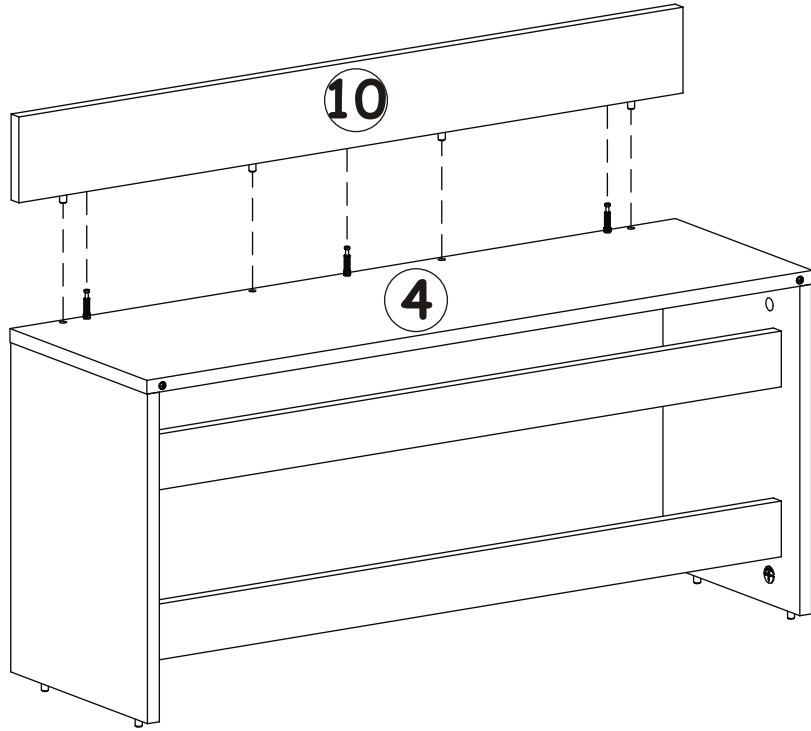


7

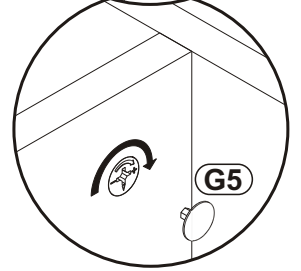
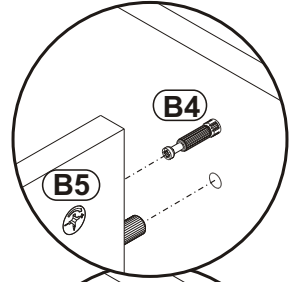




10

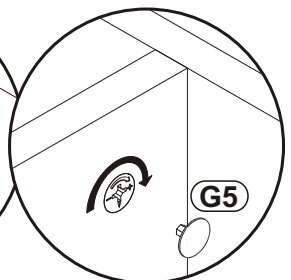
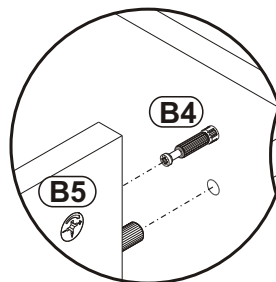
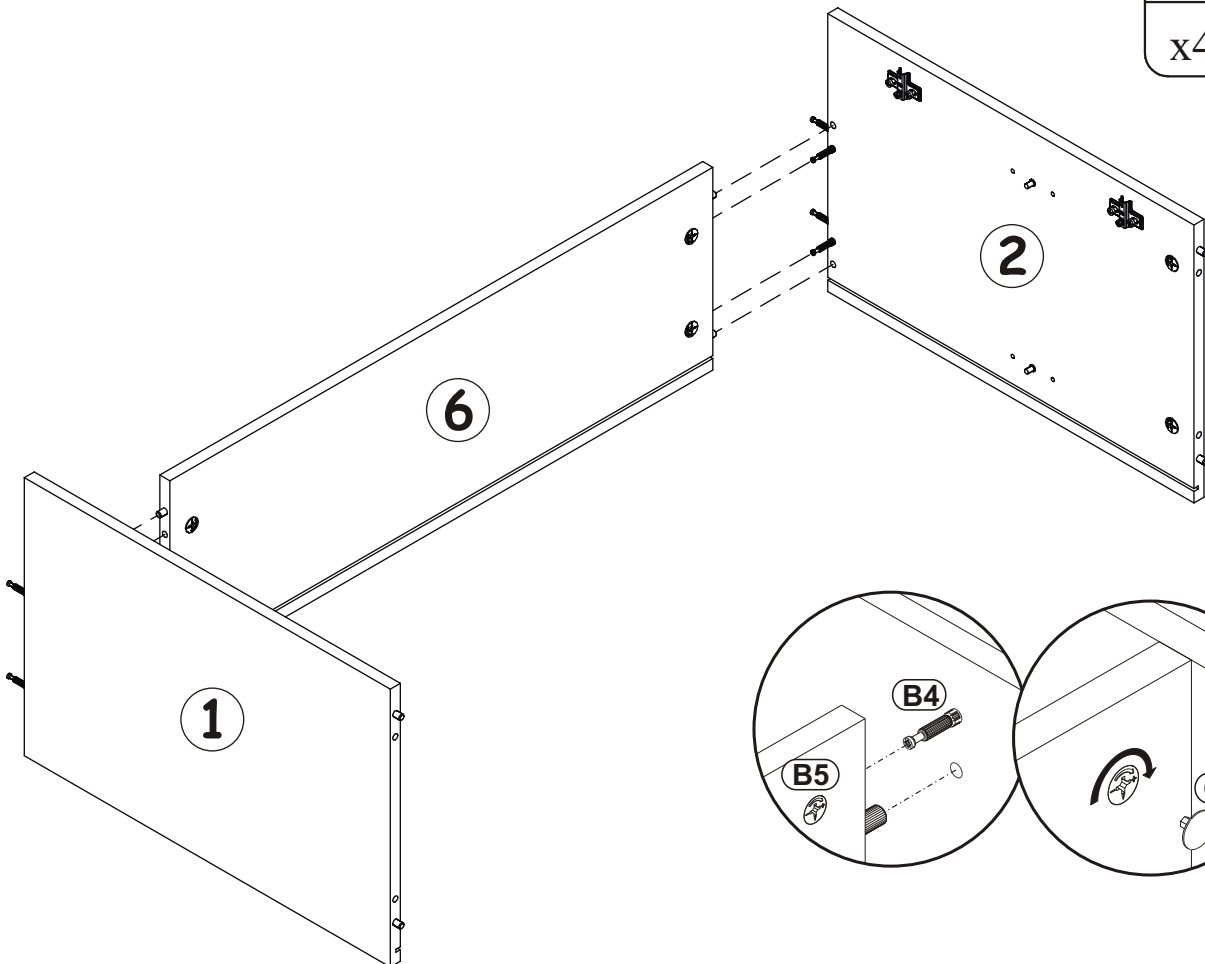


G5	
x3	




11

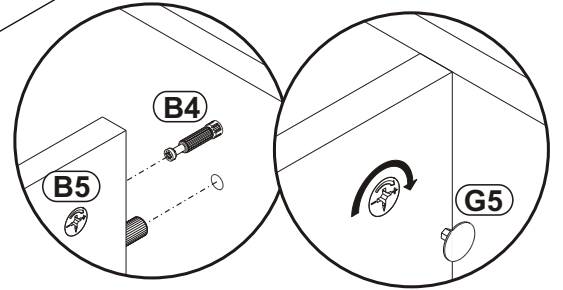
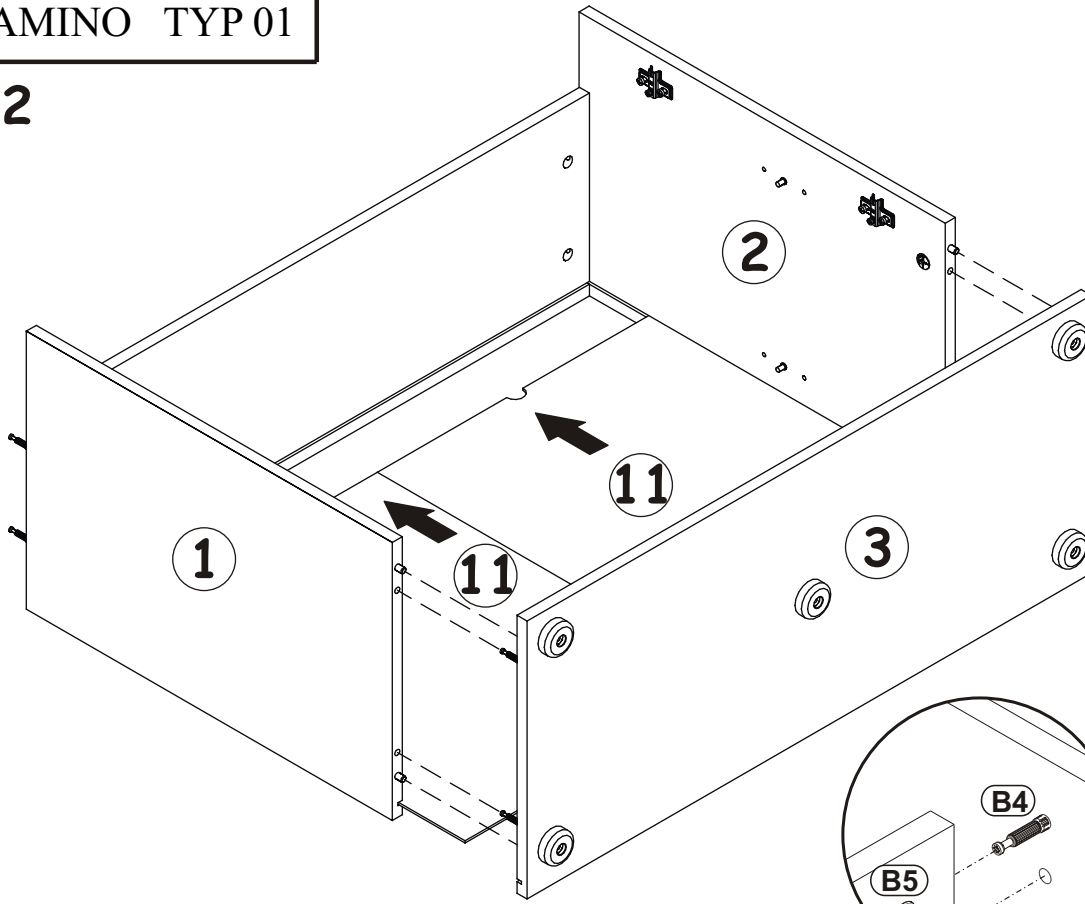
G5	
x4	





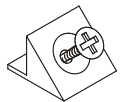
12

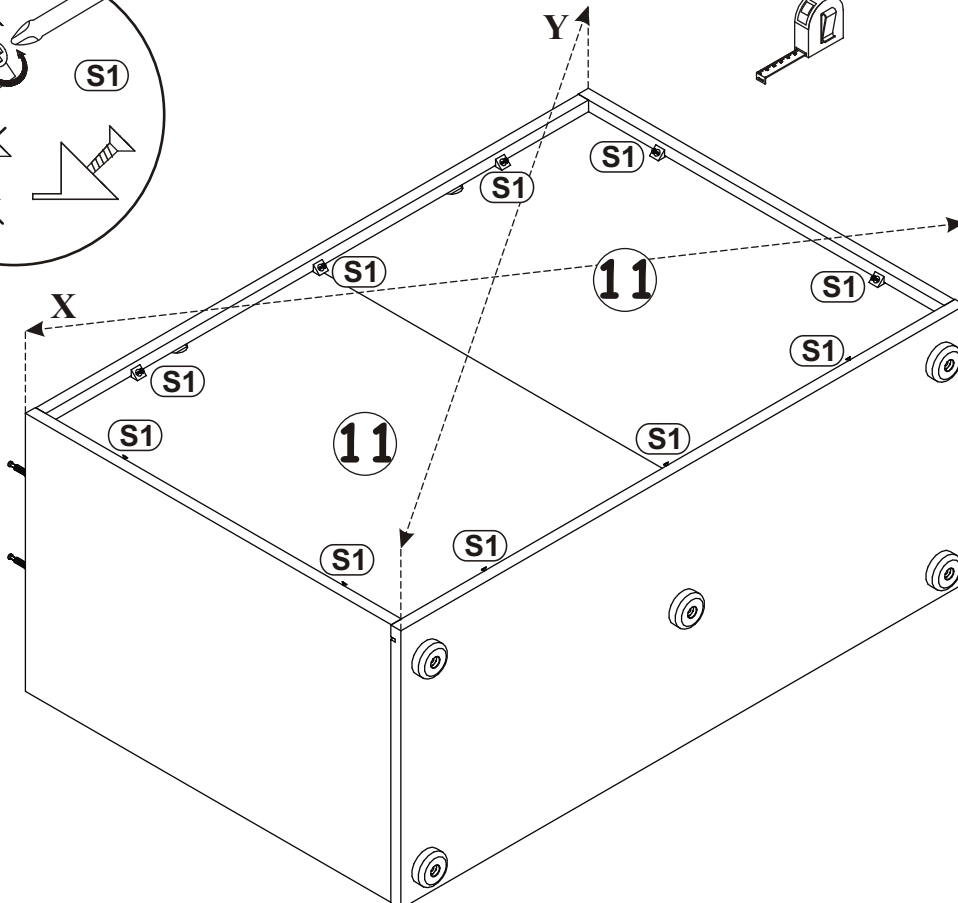
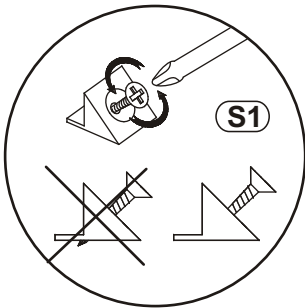
G5	
x4	



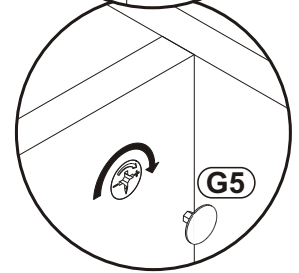
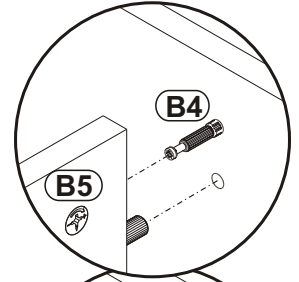
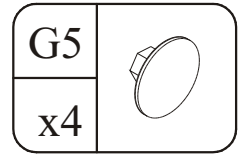
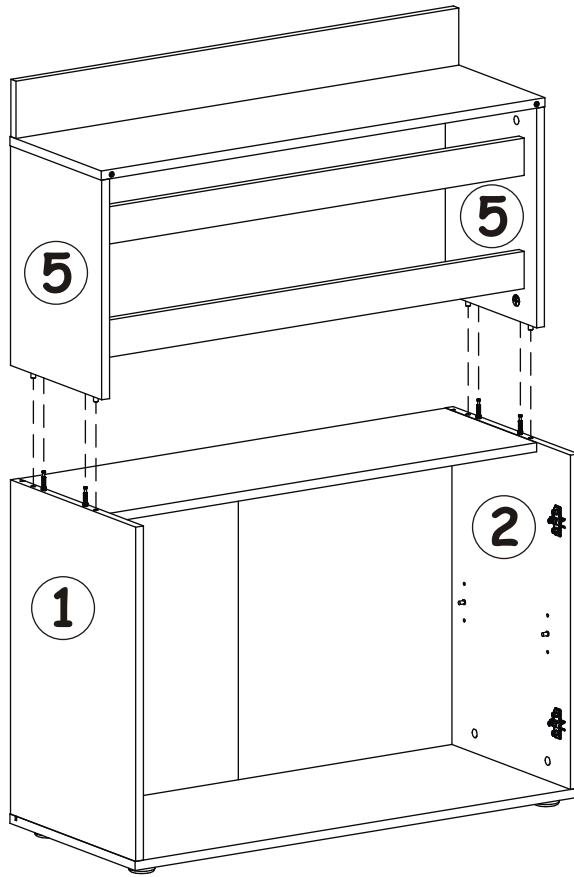
13

$X=Y$   $90^\circ$

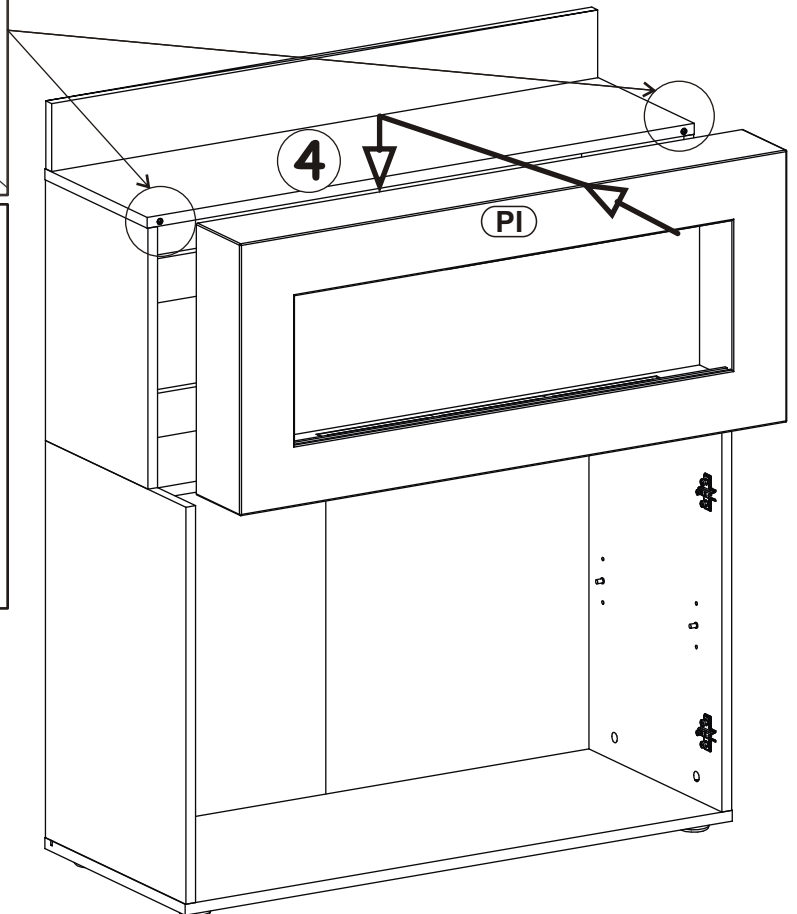
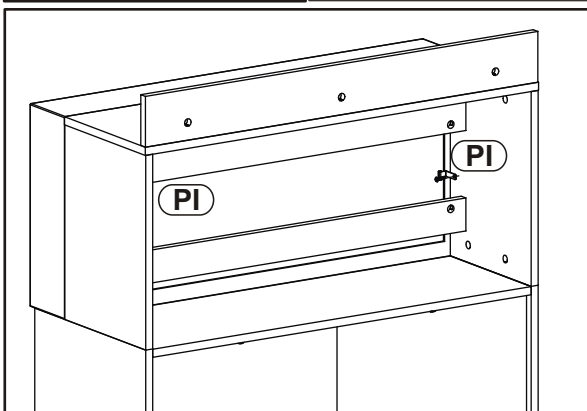
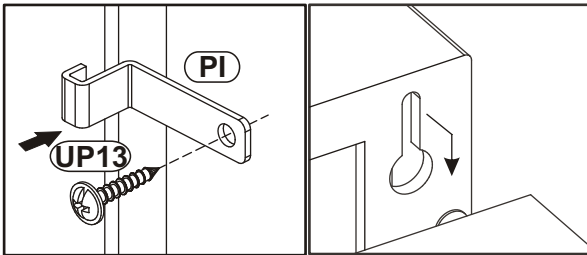
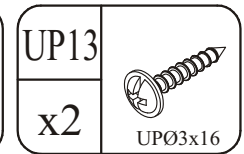
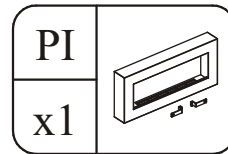
S1	
x10	



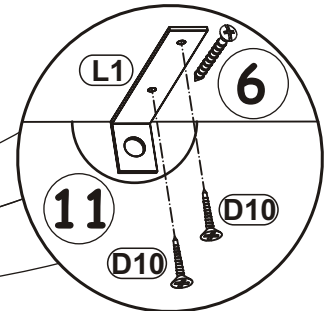
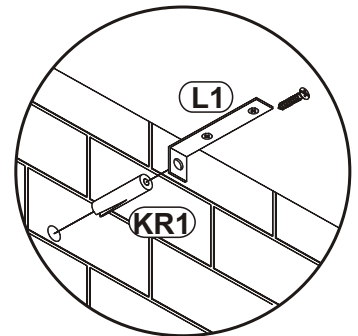
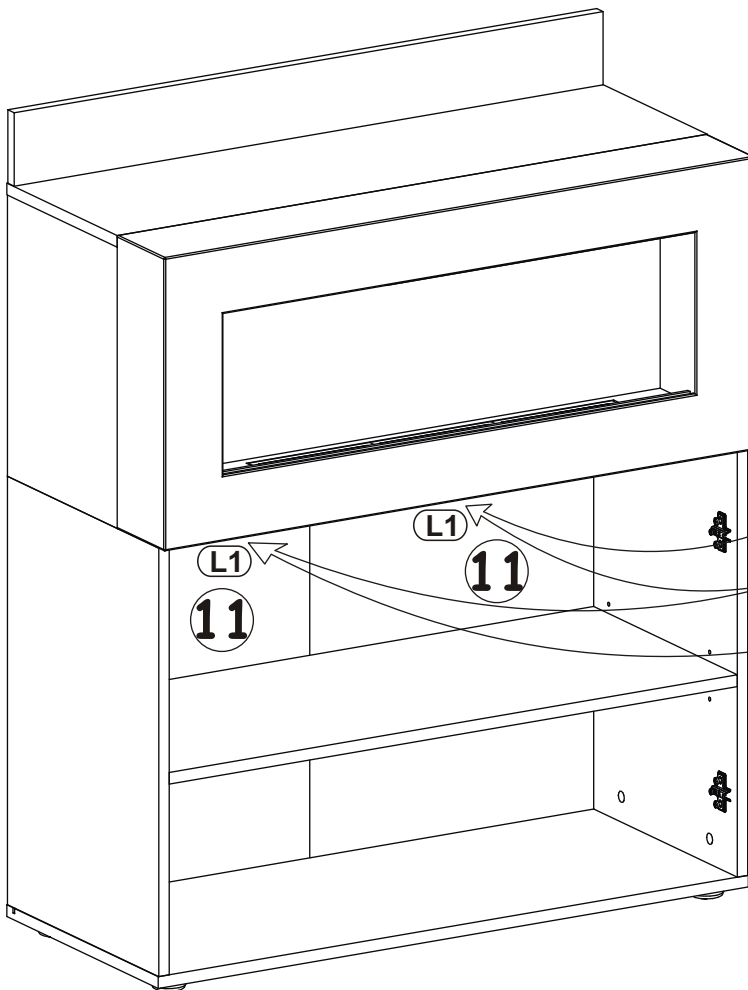
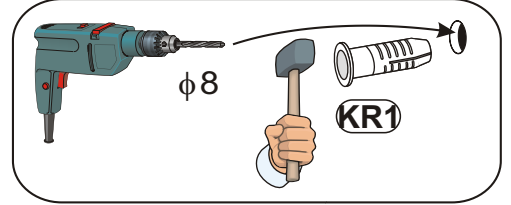
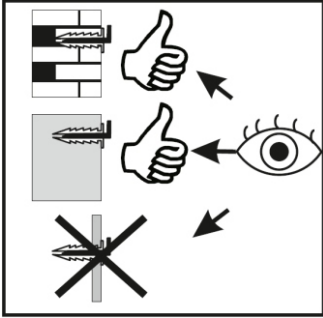
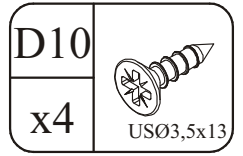
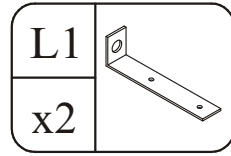
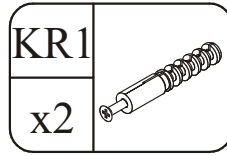
14



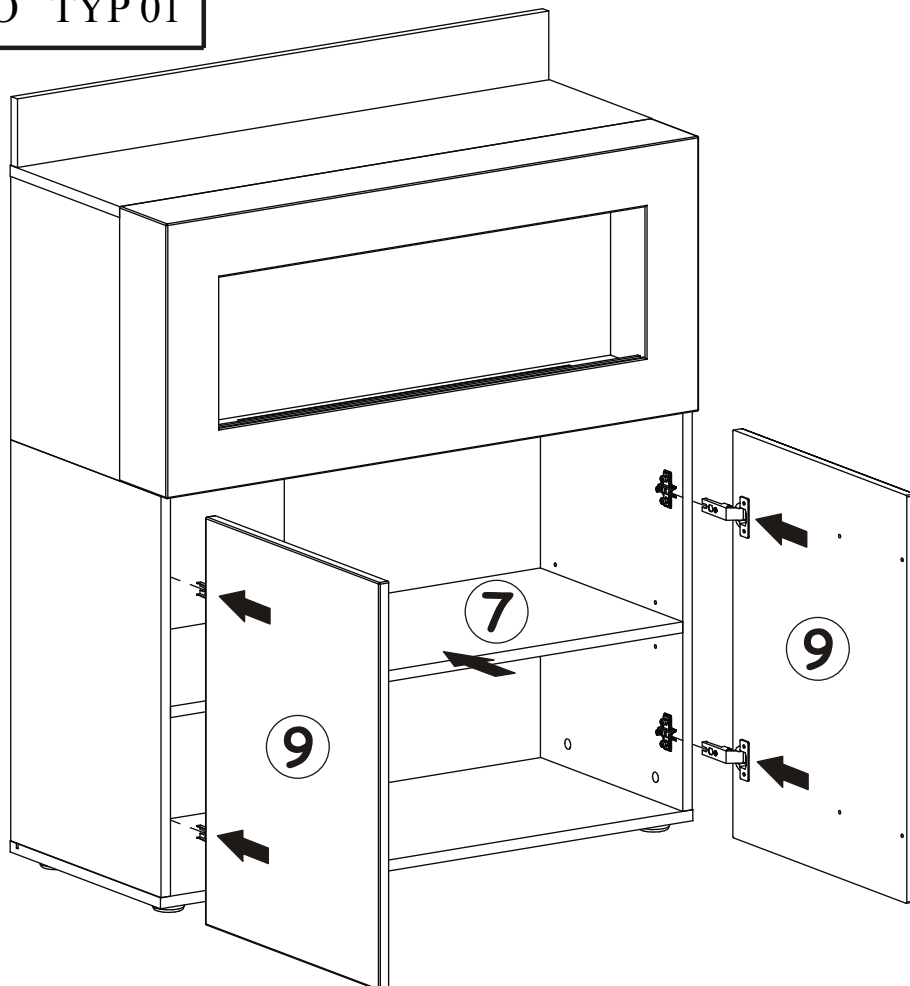
15



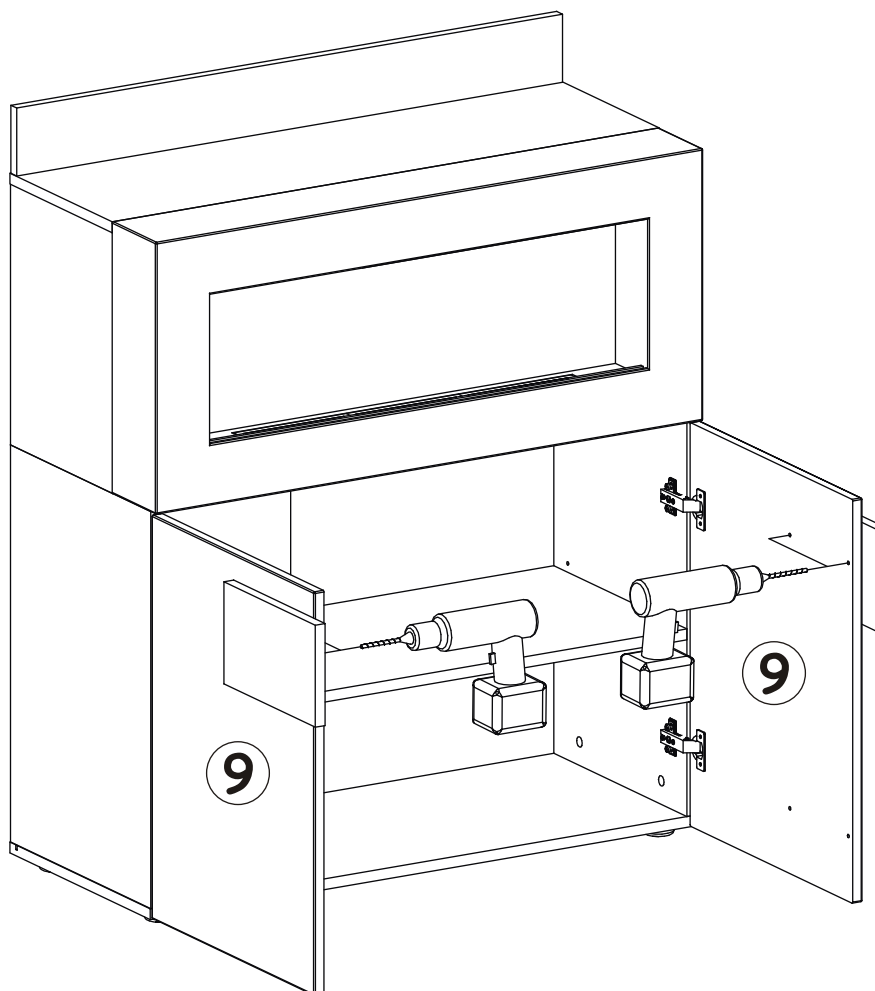
16



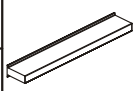
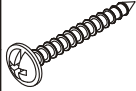


17

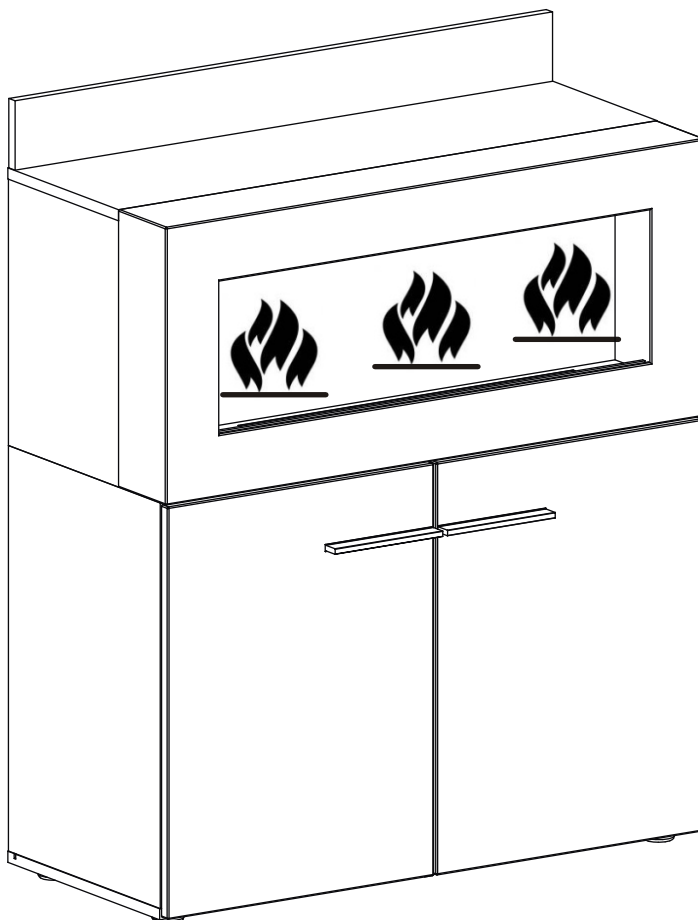
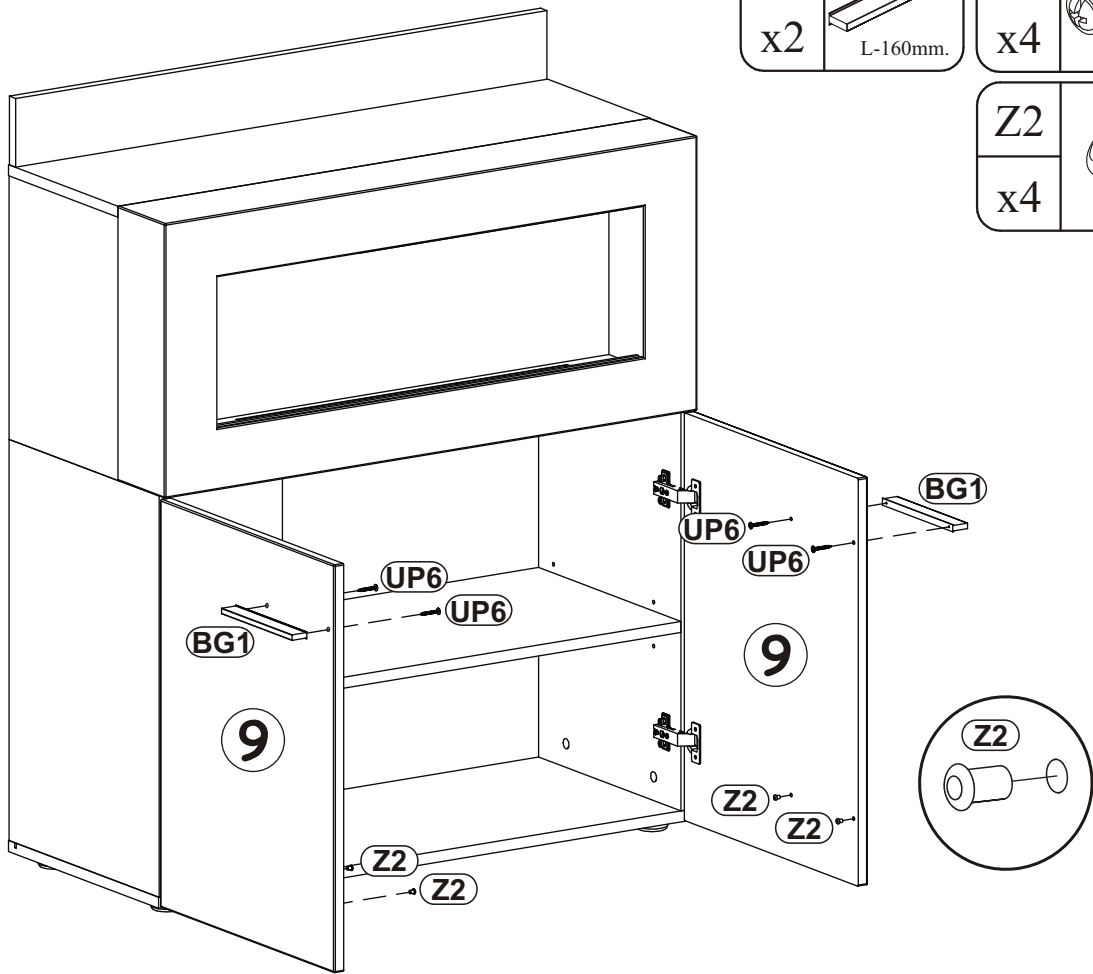


18

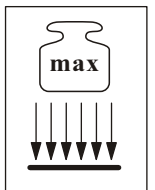
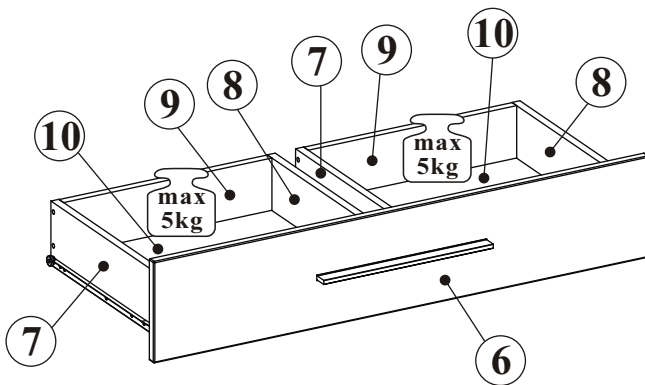
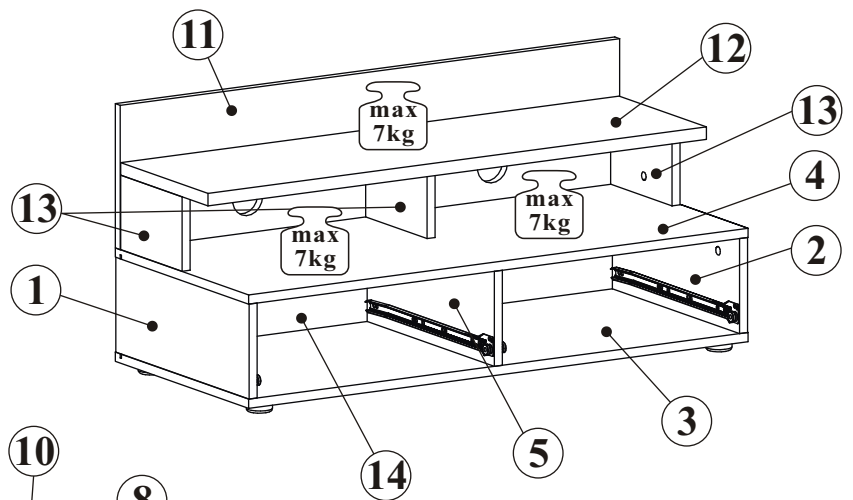
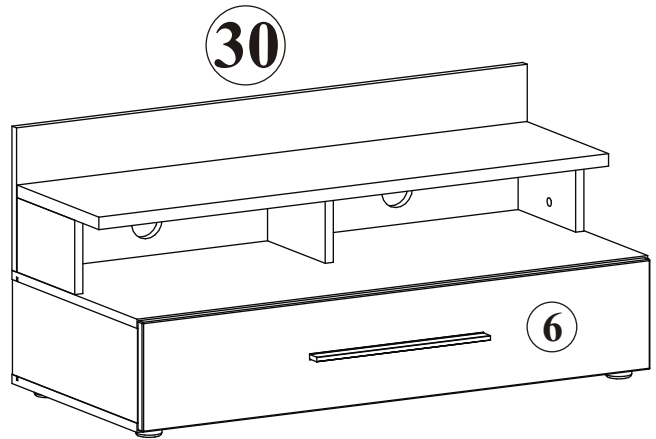
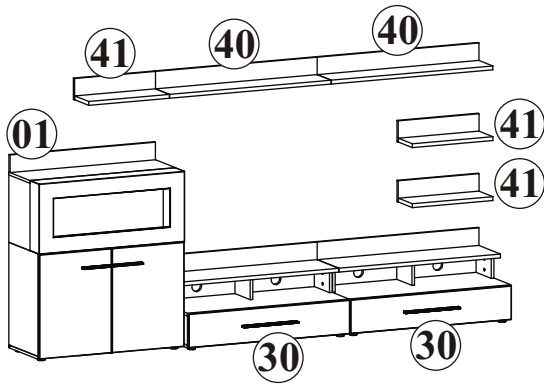


19

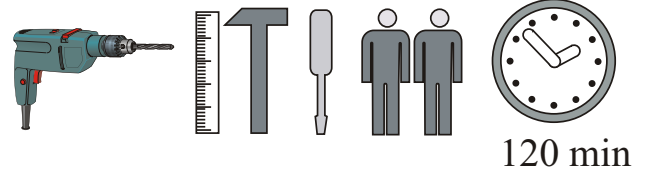
BG1		UP6	
x2	L-160mm.	x4	UPØ4x30
Z2			Ø5
x4			



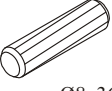

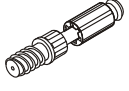



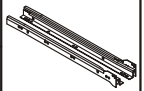







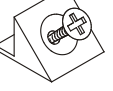

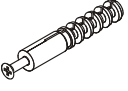
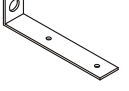

# CAMINO TYP 30

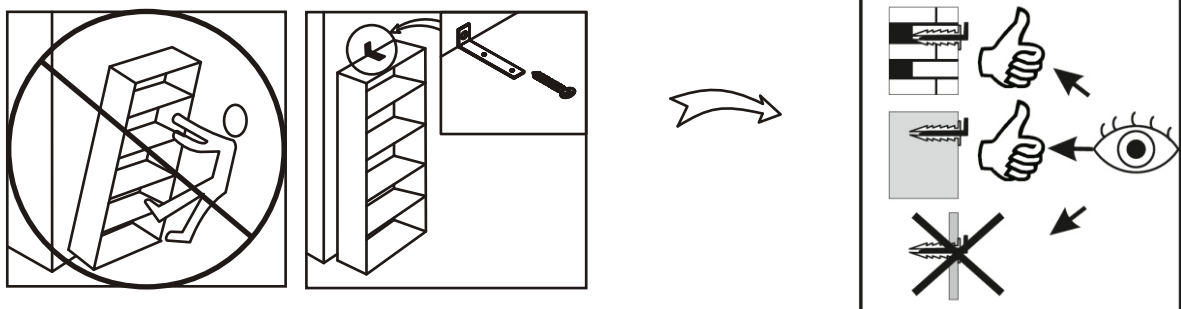
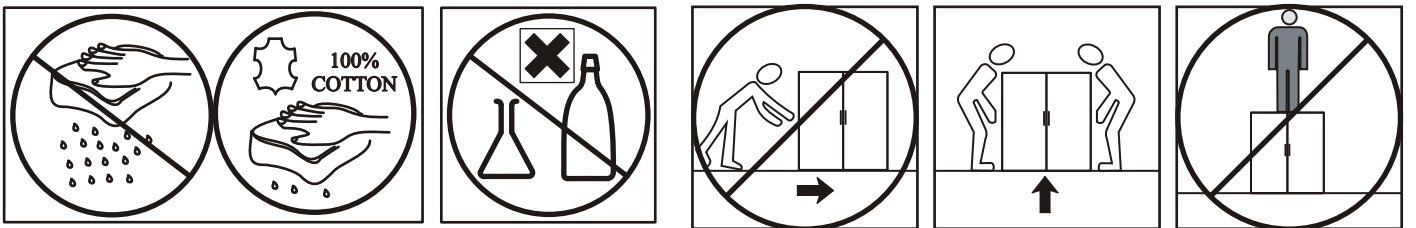
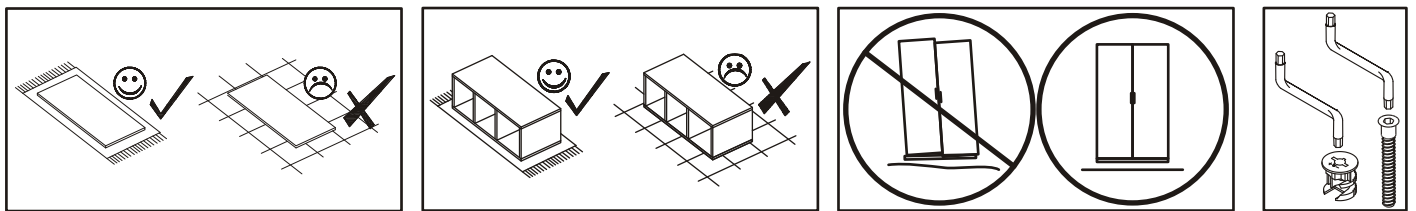
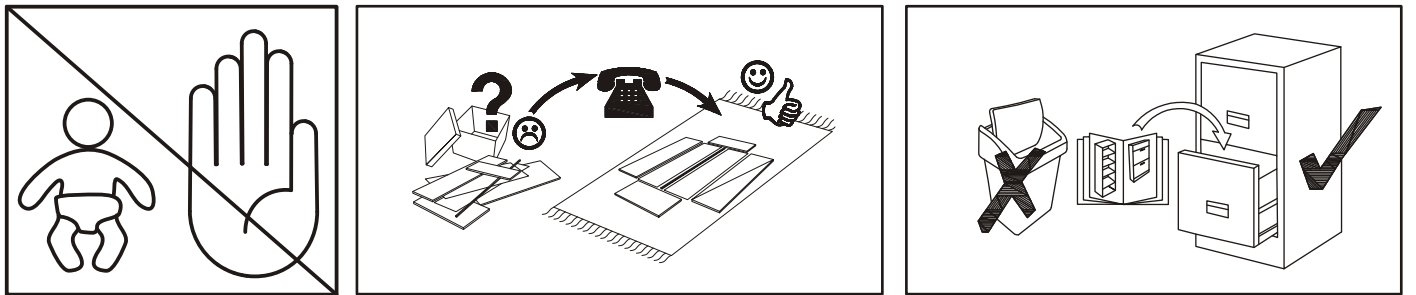
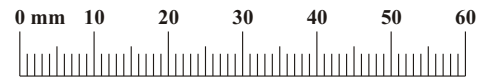


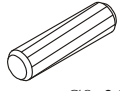

NO	Dim.		Col.-No	Qty
1	166	434	1	1
2	166	434	1	1
3	1000	434	1	1
4	1000	434	1	1
5	166	414	1	1
6	994	192	1	1
7	400	120	1	2
8	400	120	1	2
9	418	100	1	2
10	404	430	1	2
11	1000	252	1	1
12	998	284	1	1
13	130	200	1	3
14	978	178	1	1



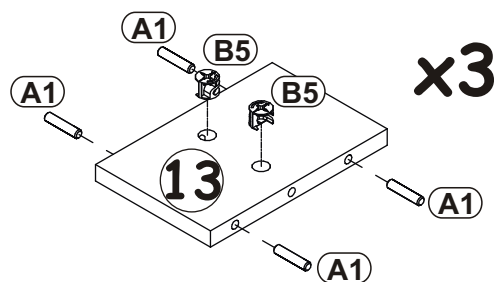
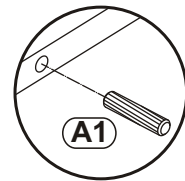
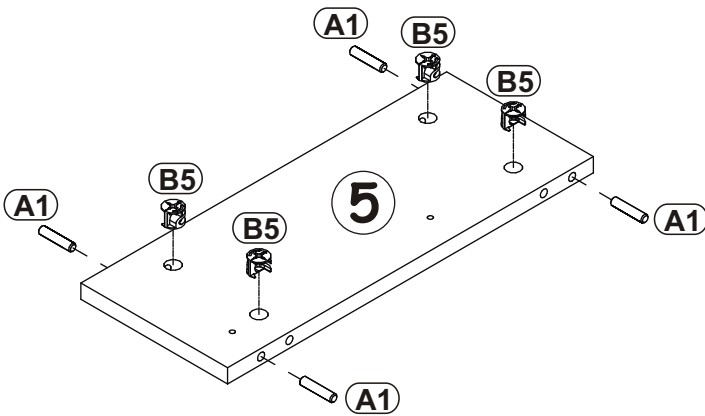
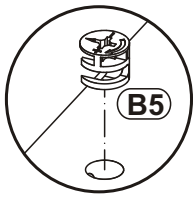
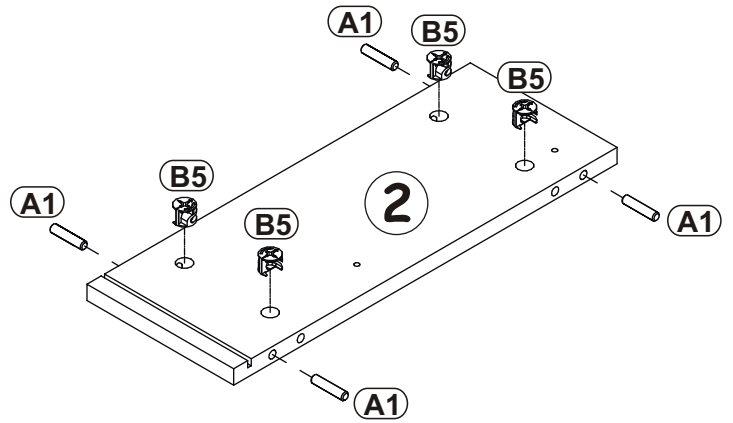
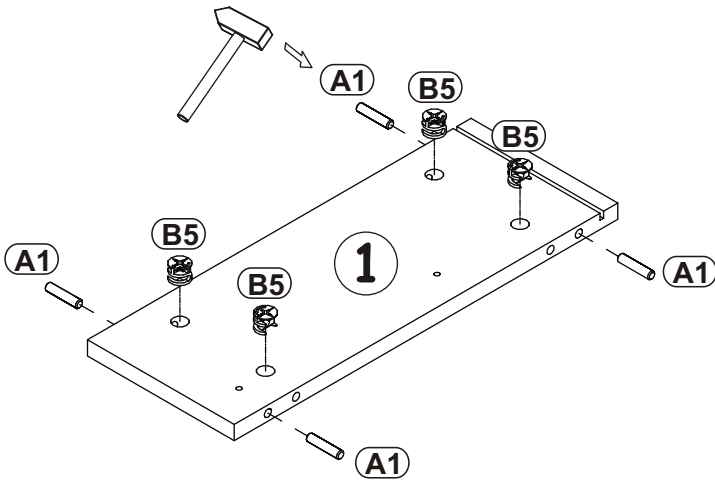
# CAMINO TYP 30

A1 x40  Ø8x36	B5 x26  Ø15x12	B4 x26 	G5 x26 	B11 x15  Ø7x50	G4 x15 
H5 x2  L-300	D10 x10  USØ3,5x13	D27 x8  ESØ6x8	UP13 x8  UPØ3x16	BG1 x1  L-320mm.	UP6 x3  UPØ4x30
I11 x5  Ø45, h=15	D11 x5  USØ3,5x25	S1 x8 	C1 x2 	KR1 x1 	L1 x1 
G2 x1 					



A1		B5	
x24		Ø8x36	

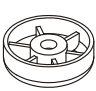
1




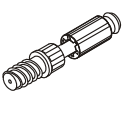


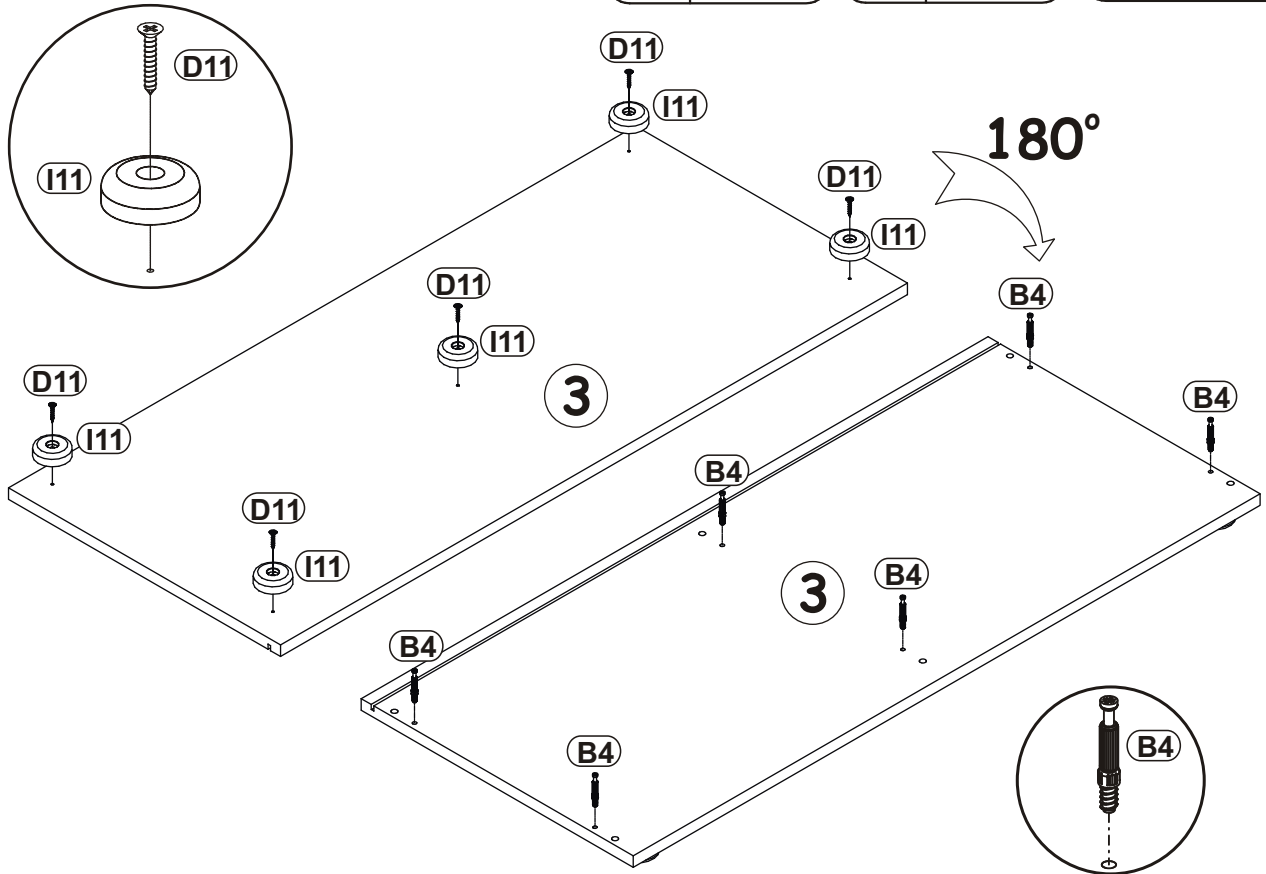
# CAMINO TYP 30

## 2

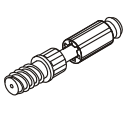
I11	
x5	Ø45, h=15

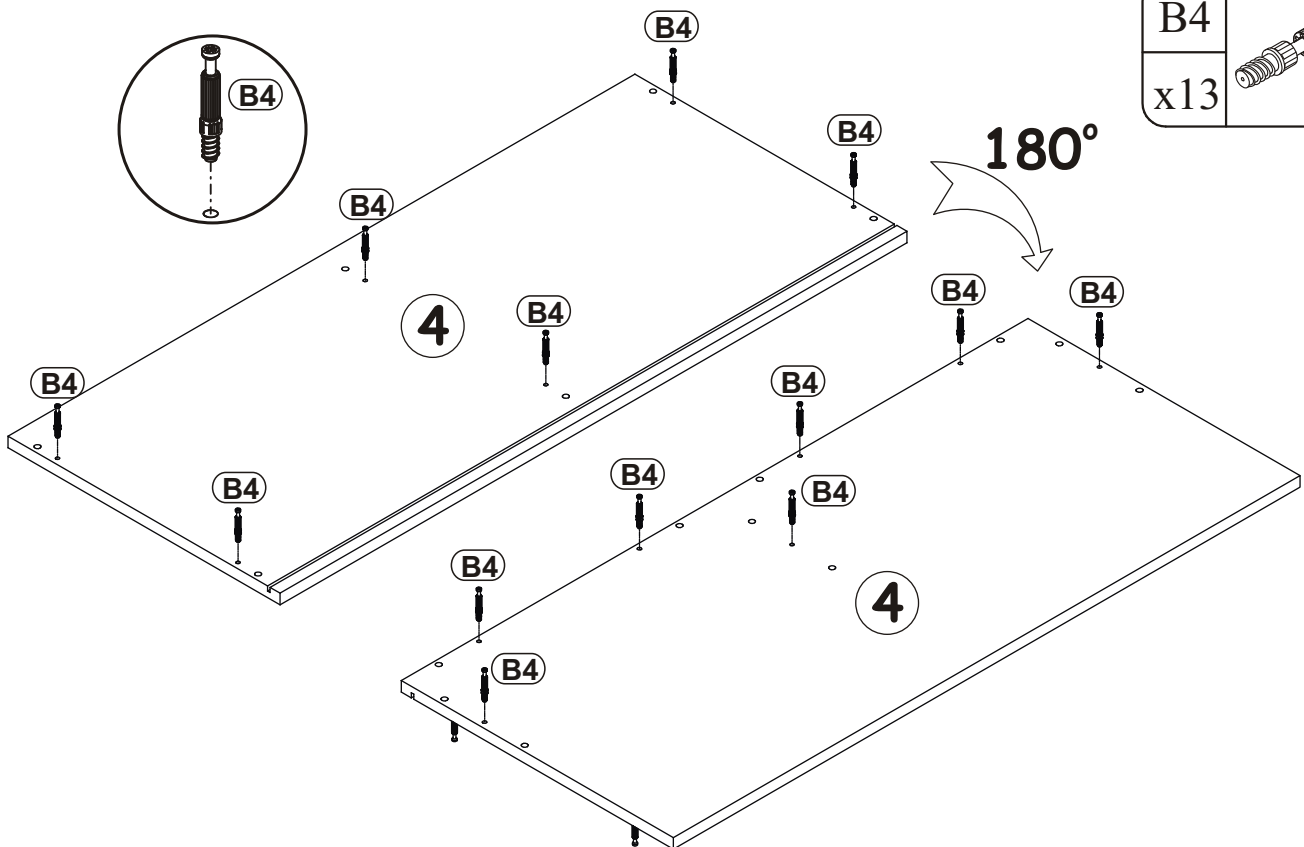
D11	
x5	USØ3,5x25

B4	
x6	



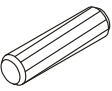

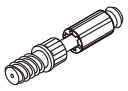
## 3

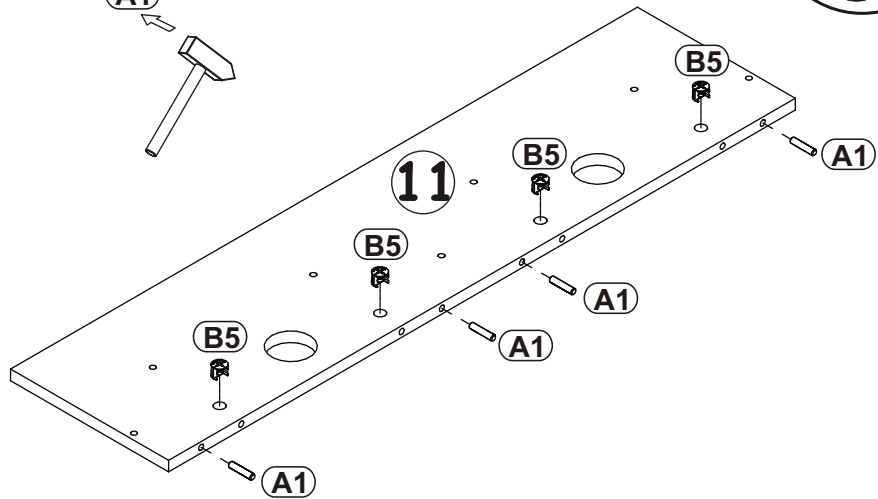
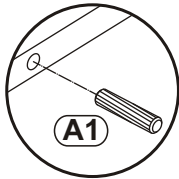
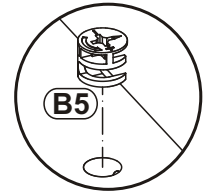
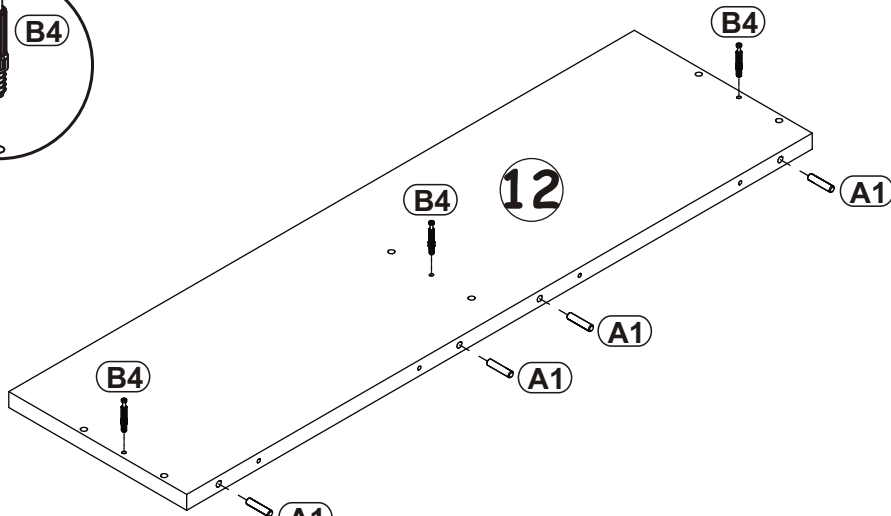
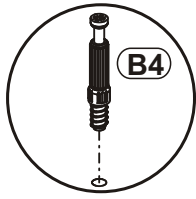
B4	
x13	



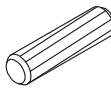
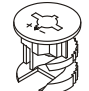
CAMINO TYP 30

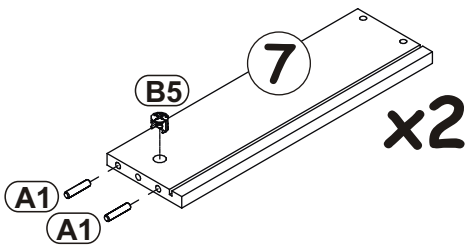
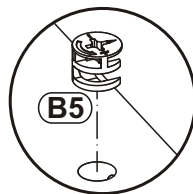
4

A1		B5		B4	
x8	Ø8x36	x4	Ø15x12	x3	

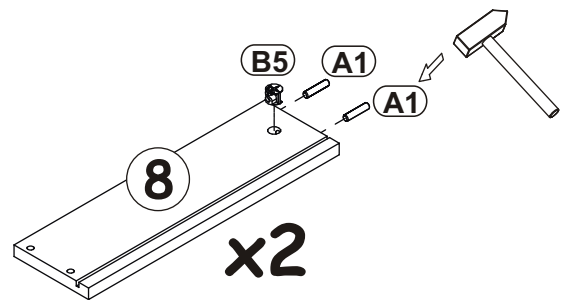
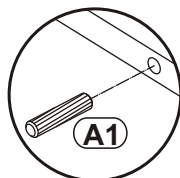


5

A1		B5	
x8	Ø8x36	x4	Ø15x12

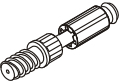


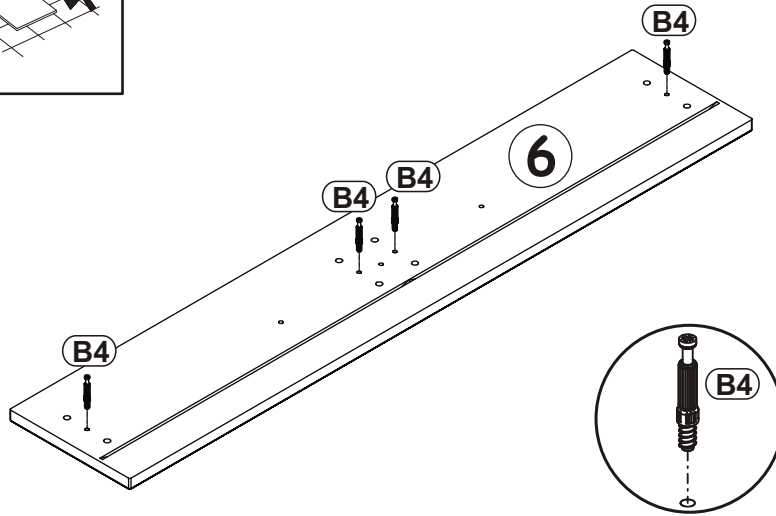
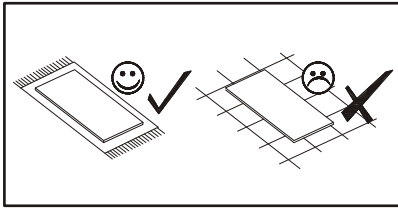
x2



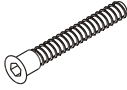

x2

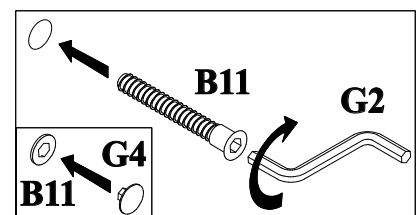
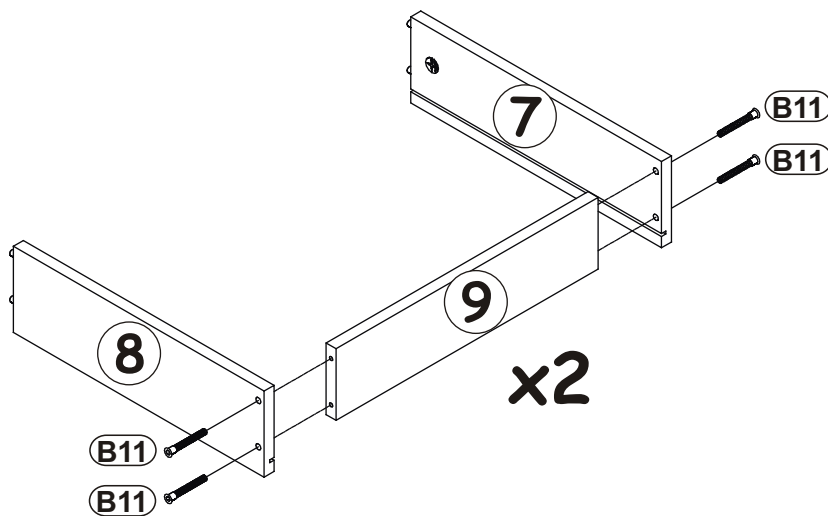
6

B4	
x4	



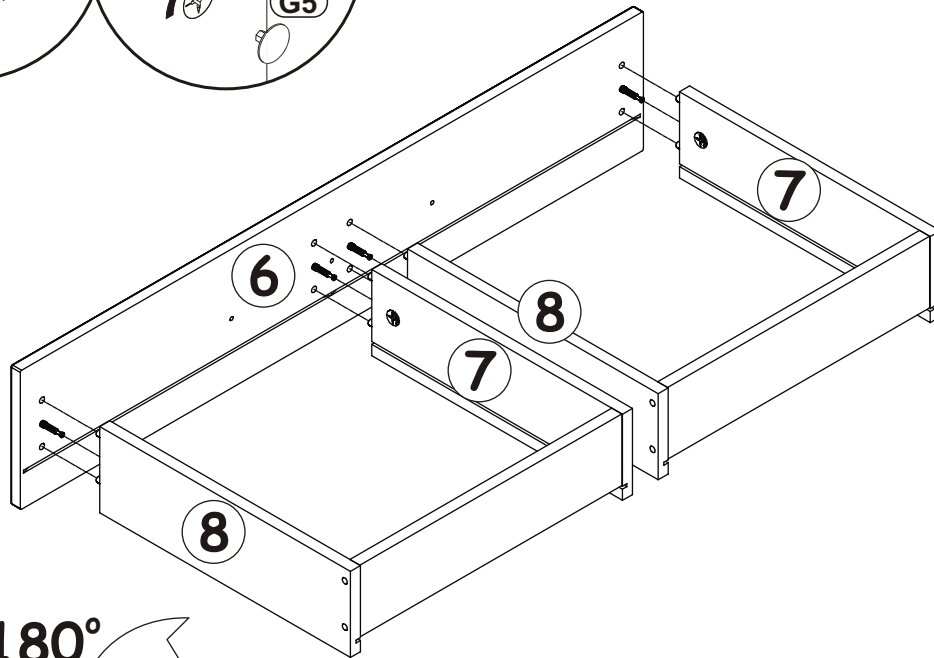
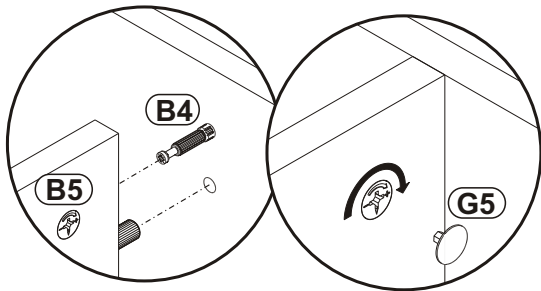
7

B11		G4	
x8	Ø7x50	x8	



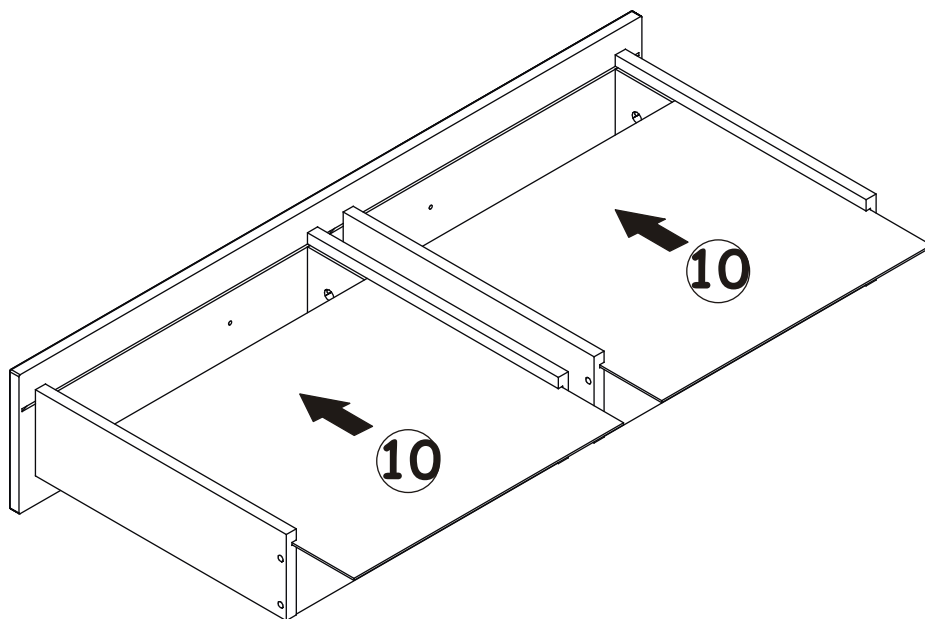


8



180°

9

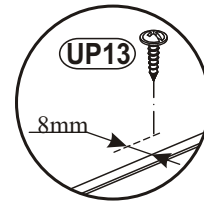
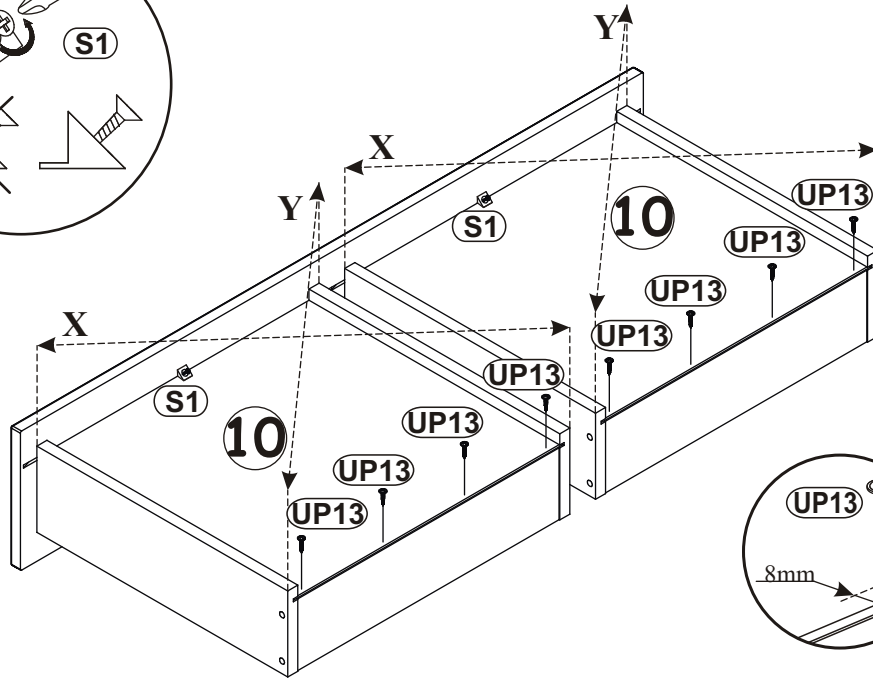
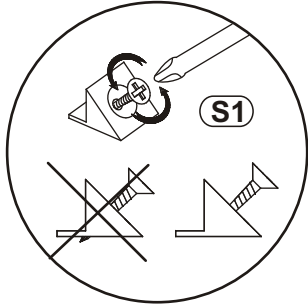


CAMINO TYP 30

10

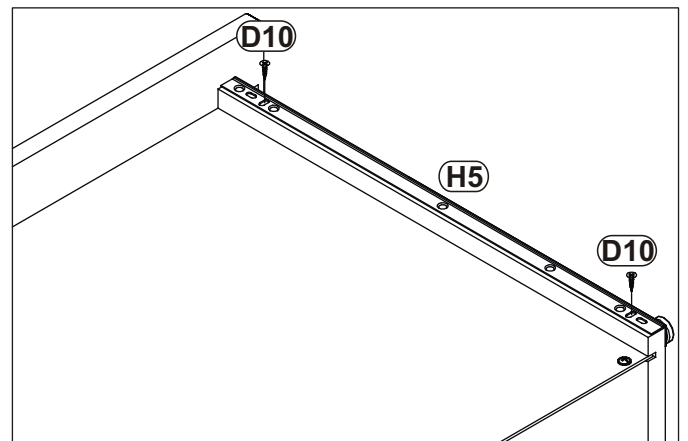
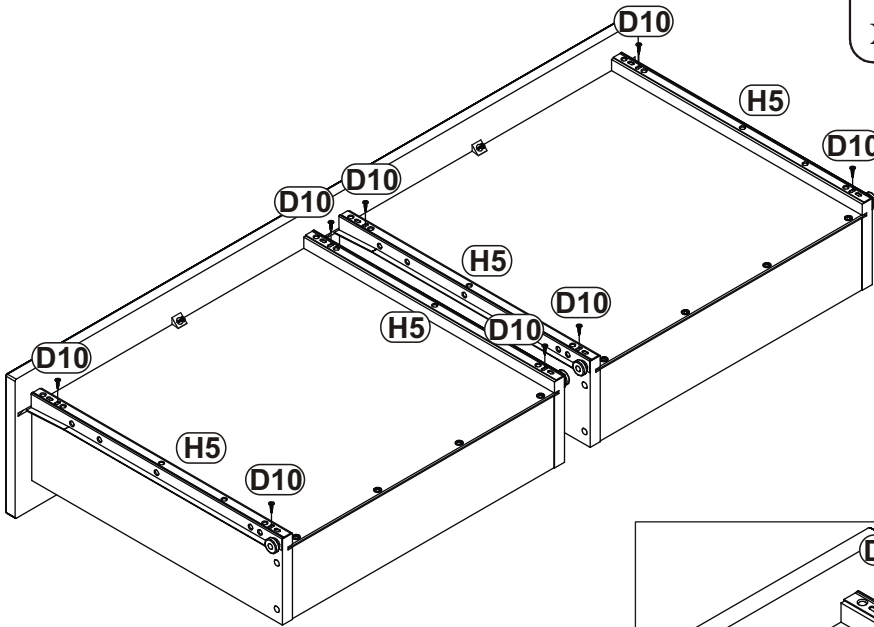


S1		UP13	
x2		x8	UPØ3x16




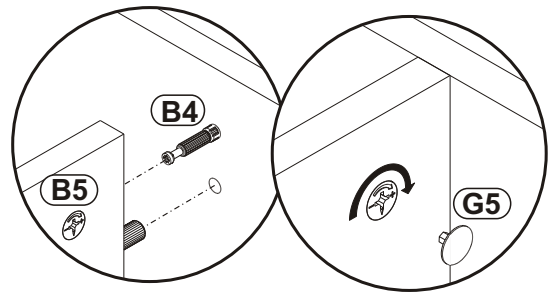
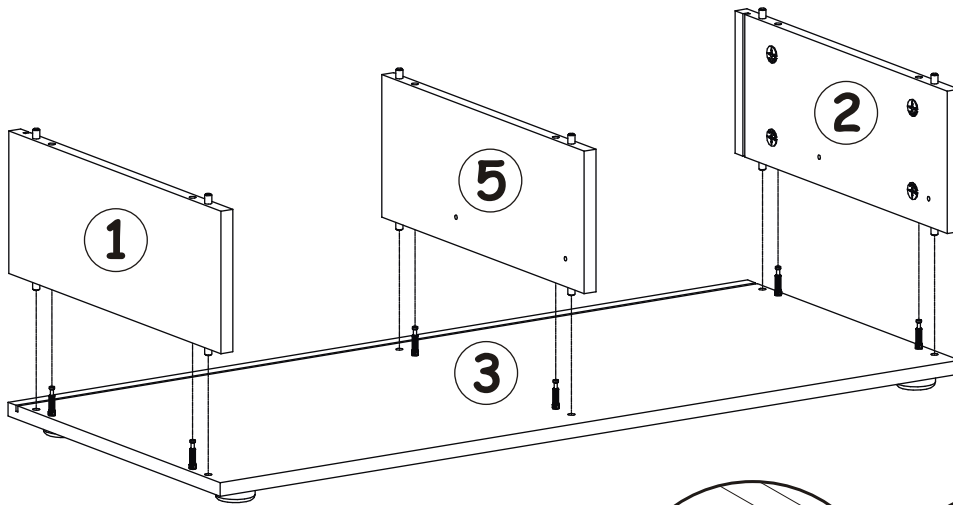
11

H5		D10	
x2	L-400	x8	USØ3,5x13




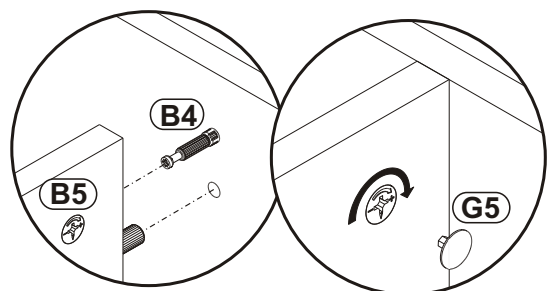
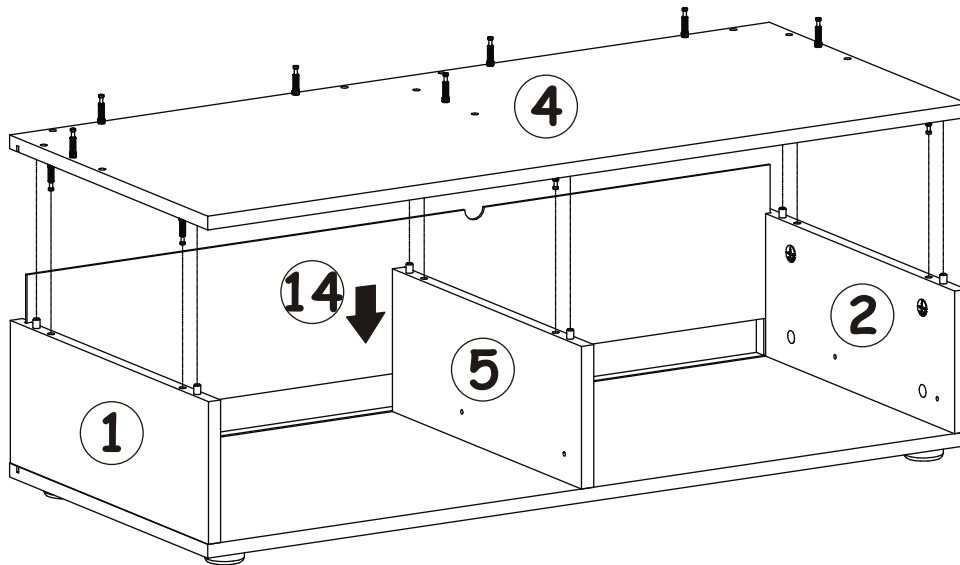
12

G5	
x6	



13

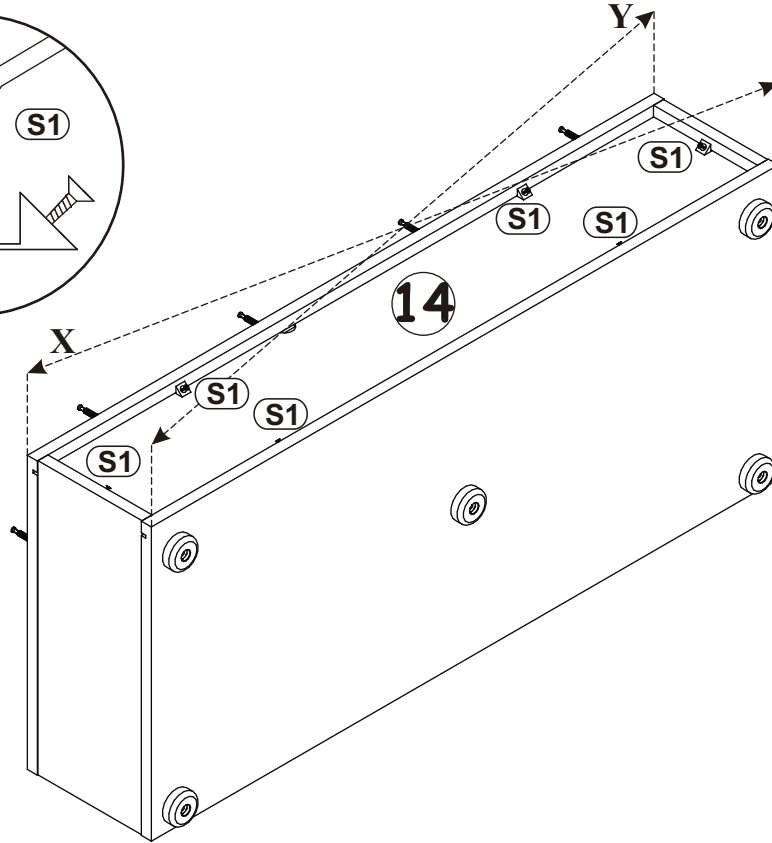
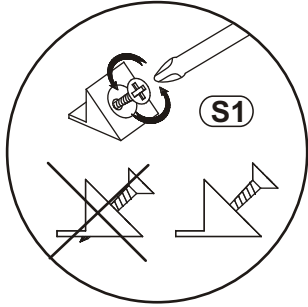
G5	
x6	



14



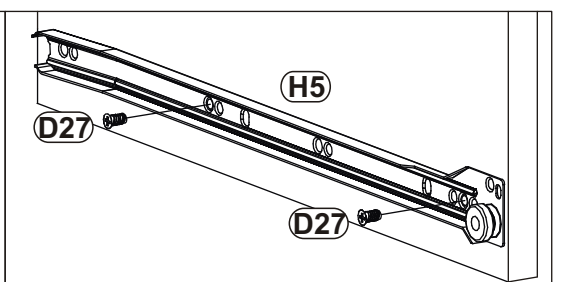
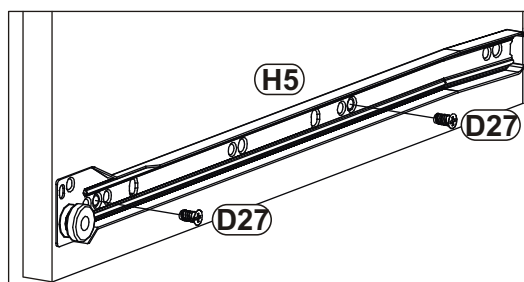
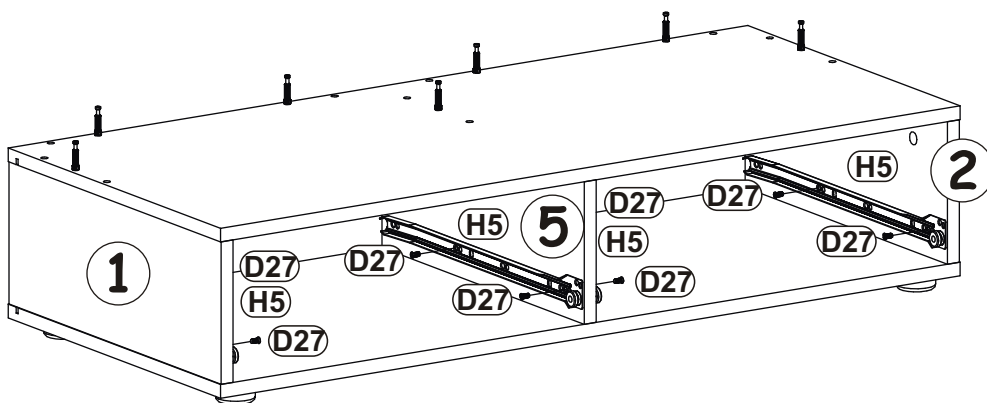
S1	
x6	




15

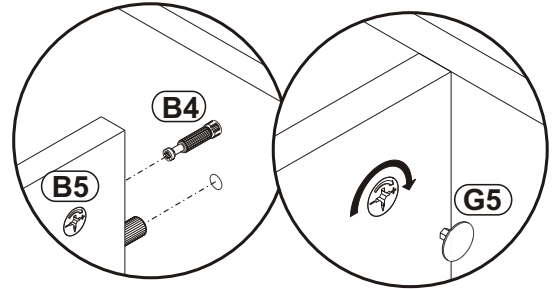
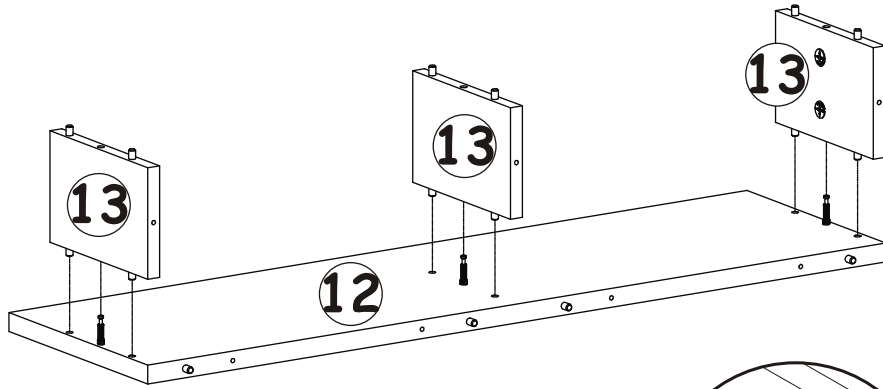
H5	
x2	L-400

D27	
x8	ESØ6x8

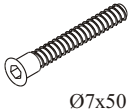



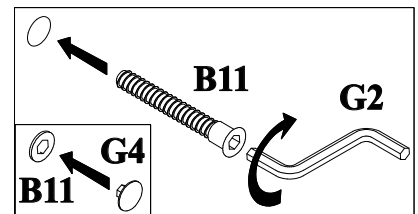
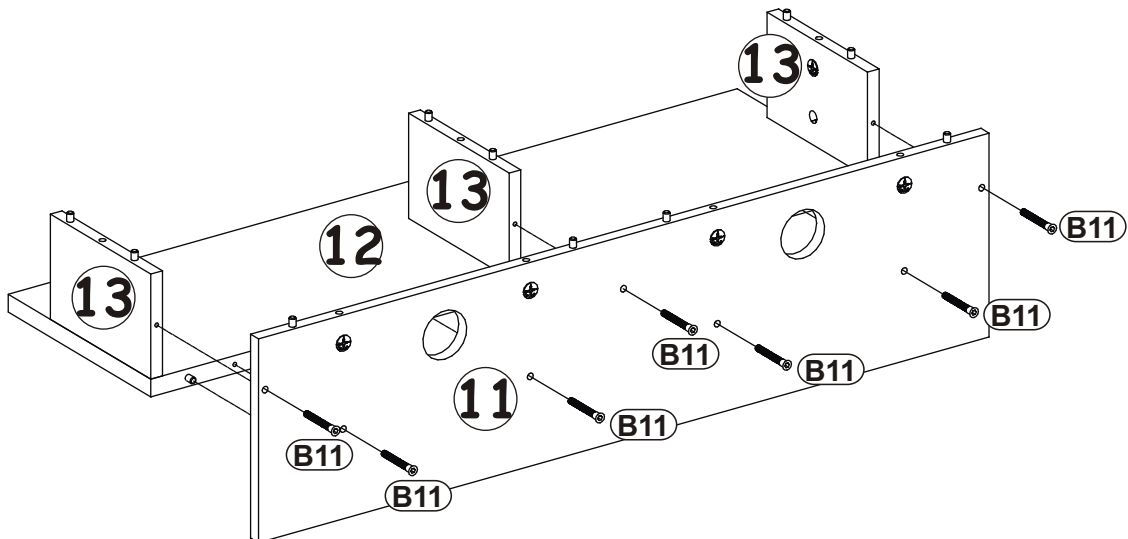
16

G5	
x3	



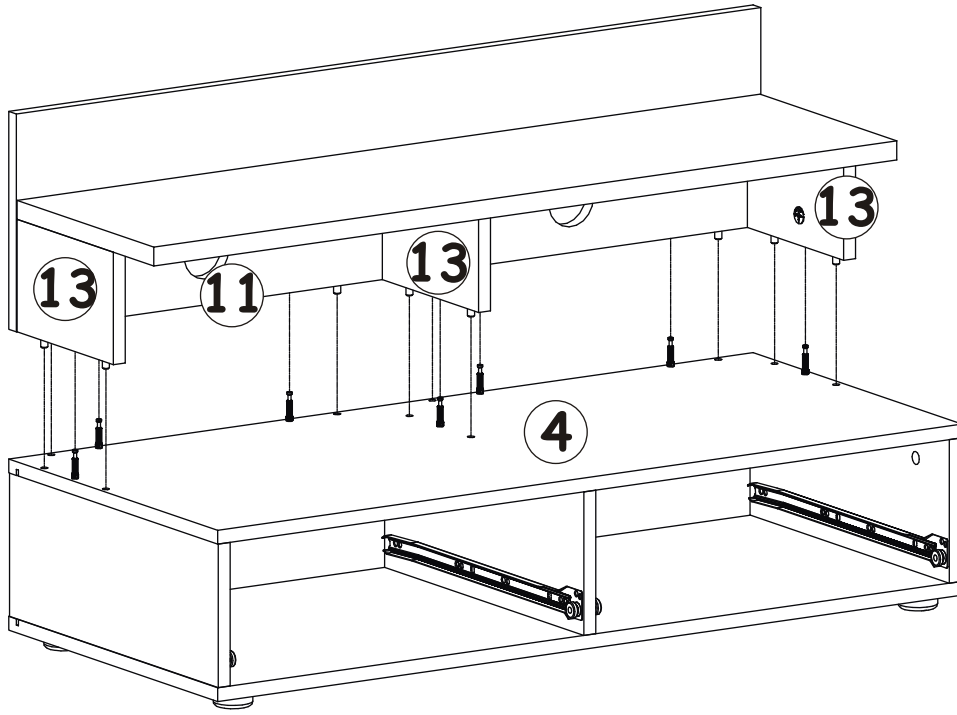
17

B11		G4	
x7	Ø7x50	x7	

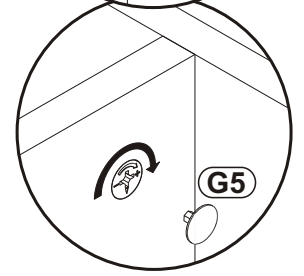
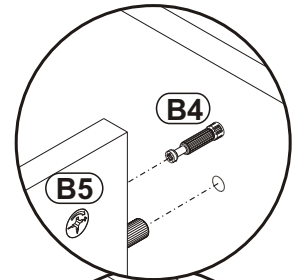




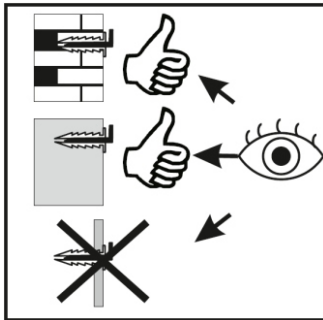
18



G5	
x7	



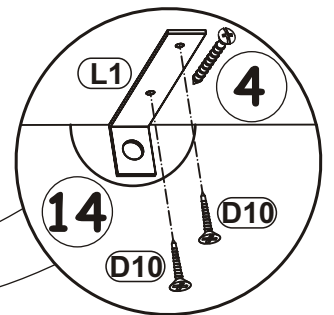
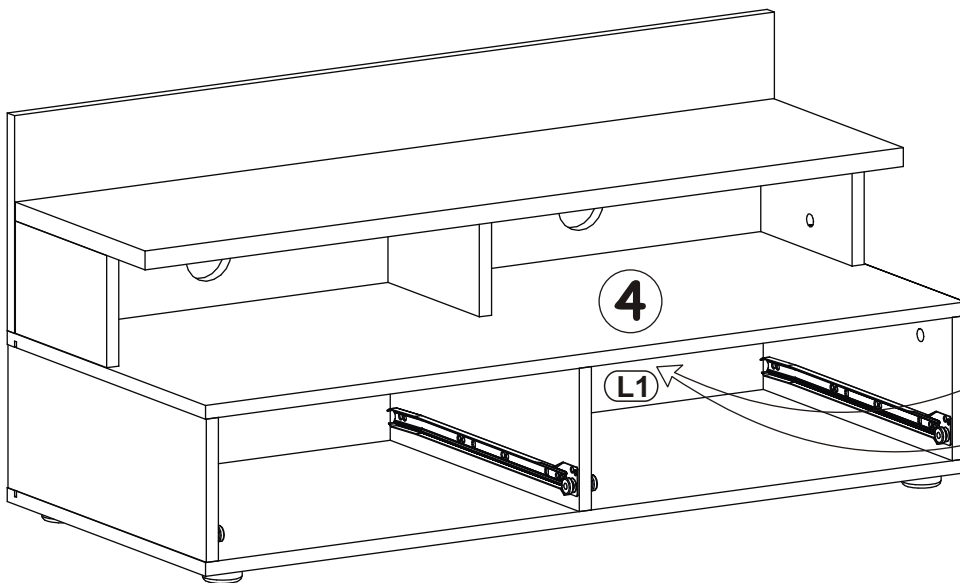
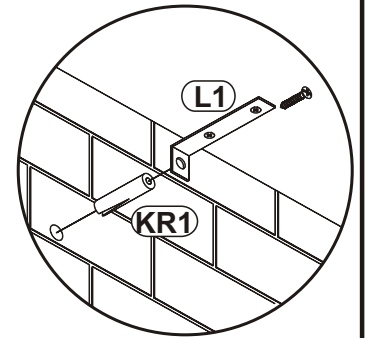
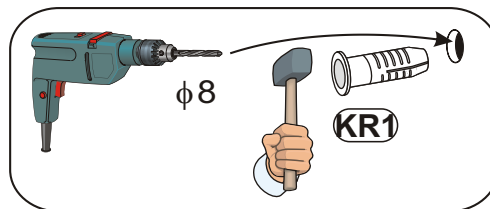
19




KR1	
x1	

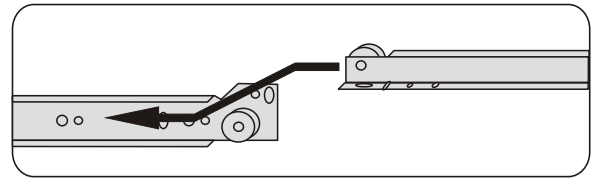
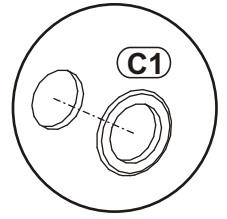
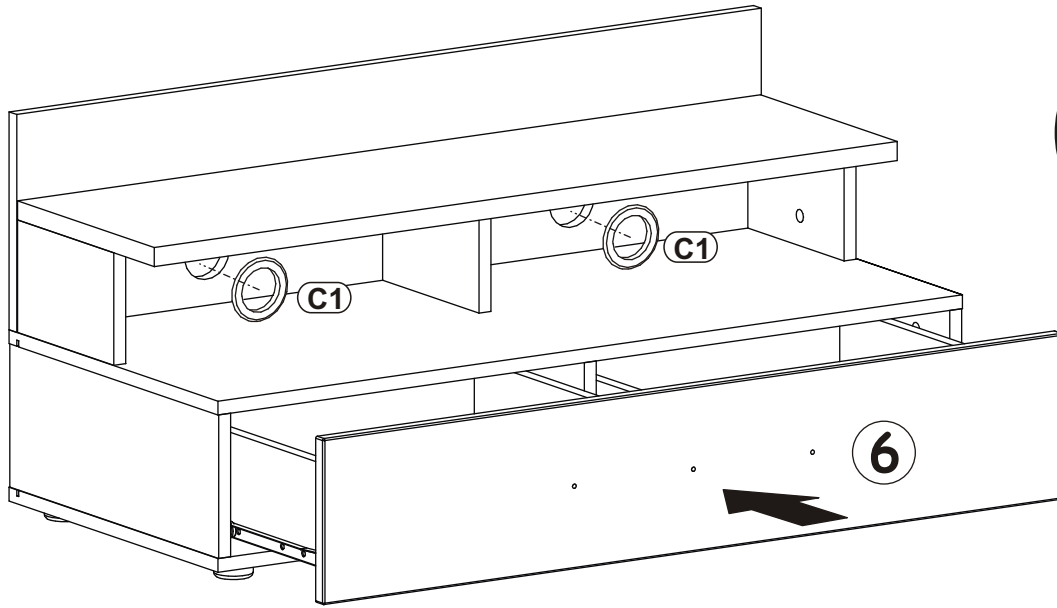
L1	
x1	

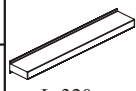
D10	
x2	USØ3,5x13

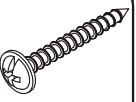


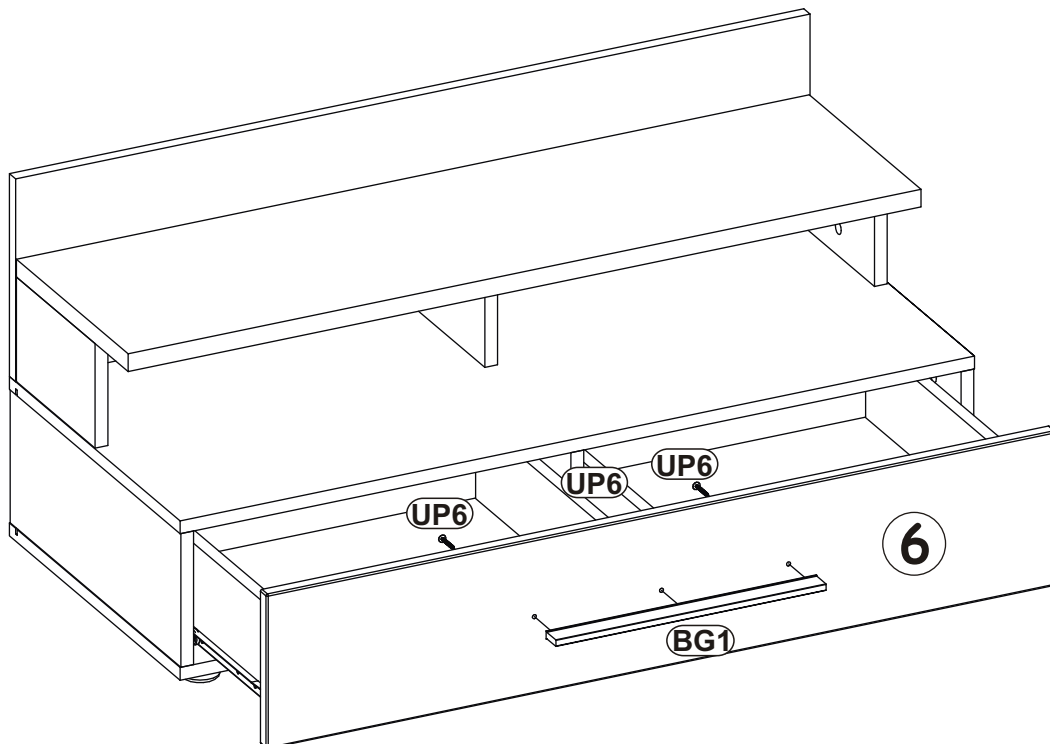
20

C1	
x2	

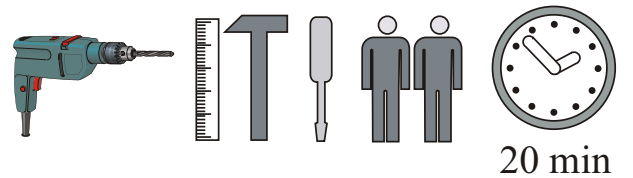
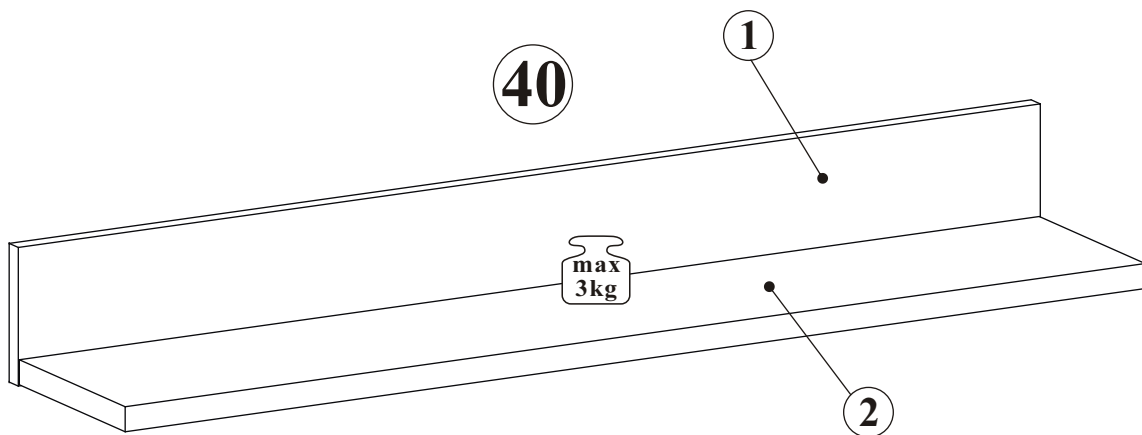
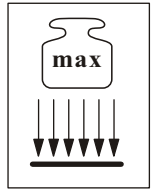
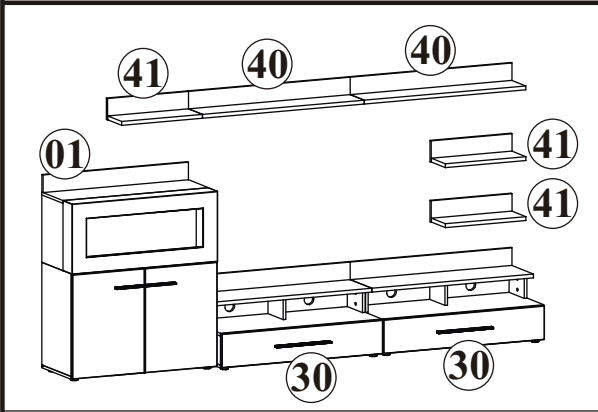


BG1	
x1	L-320mm.

UP6	
x3	UPØ4x30



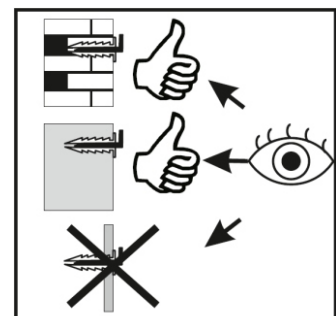
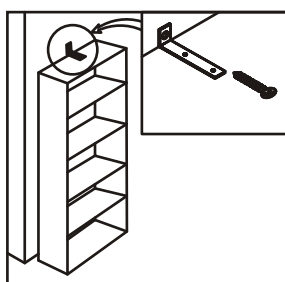
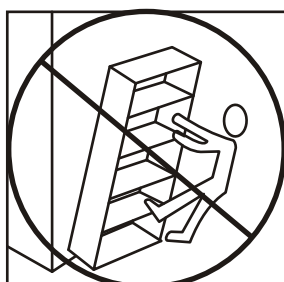
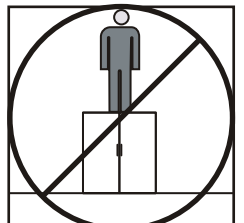
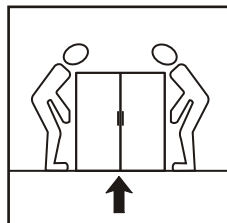
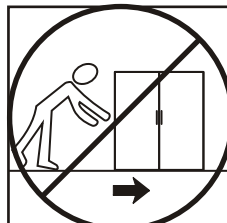
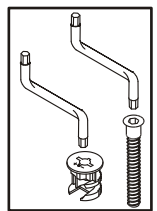
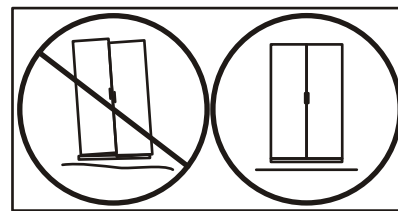
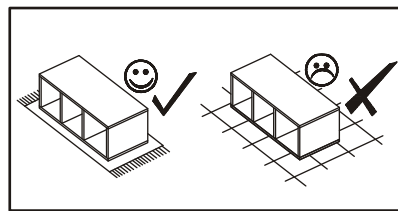
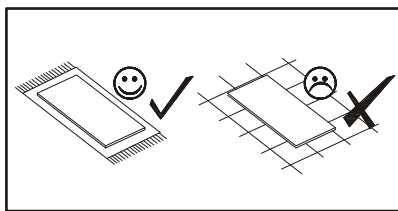
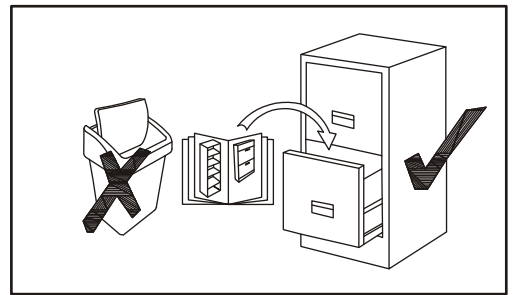
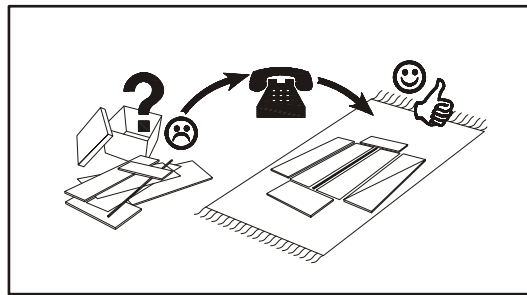
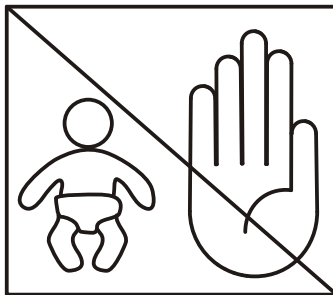
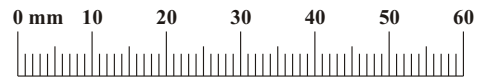
# CAMINO TYP 40



NO	Dim.		Col.-No	Qty
1	1000	122	1	1
2	998	184	1	1

# CAMINO TYP 40

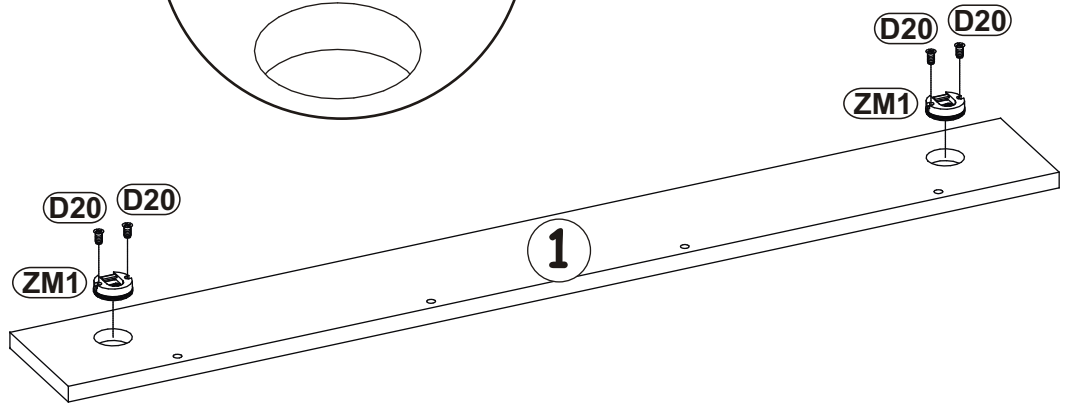
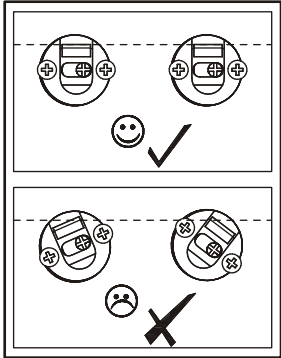
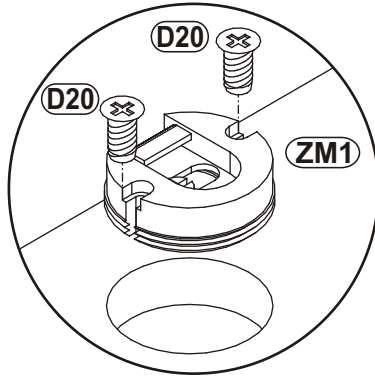
A1 x3 Ø8x36	B11 x4 Ø7x50	G4 x4	ZM1 x2	D20 x4 ESØ6x9,5	KR2 x2
G2 x1					



# CAMINO TYP 40

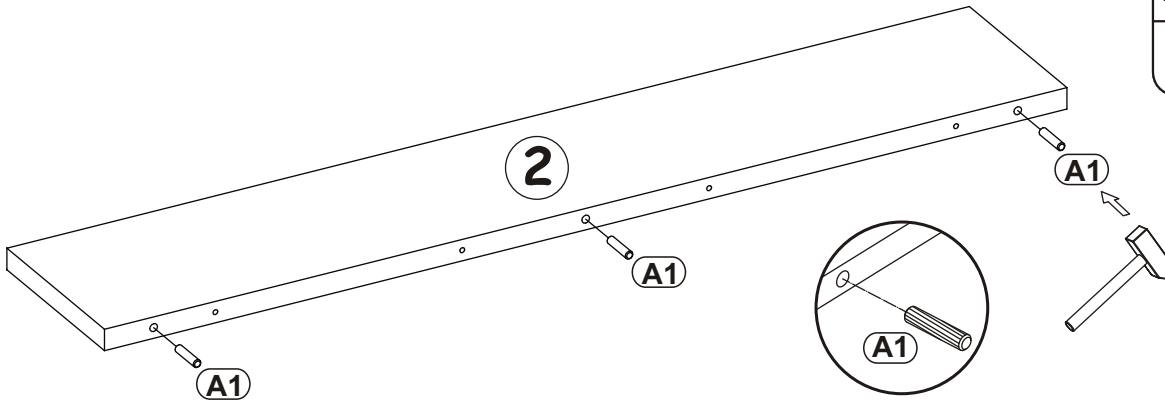
1

ZM1		D20	
x2		x4	ESØ6x9,5



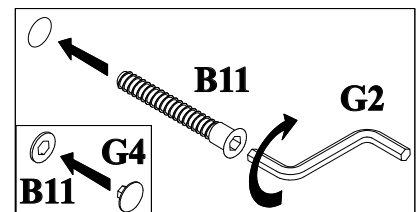
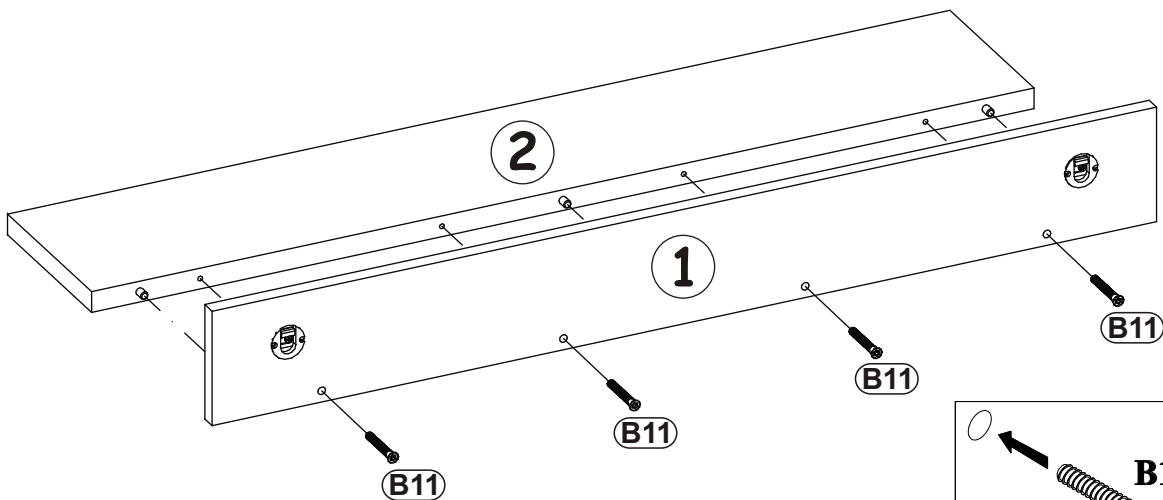
2

A1	
x3	ø8x36

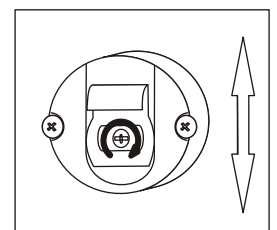
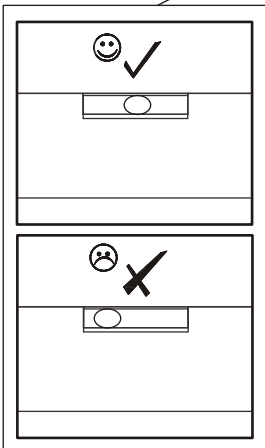
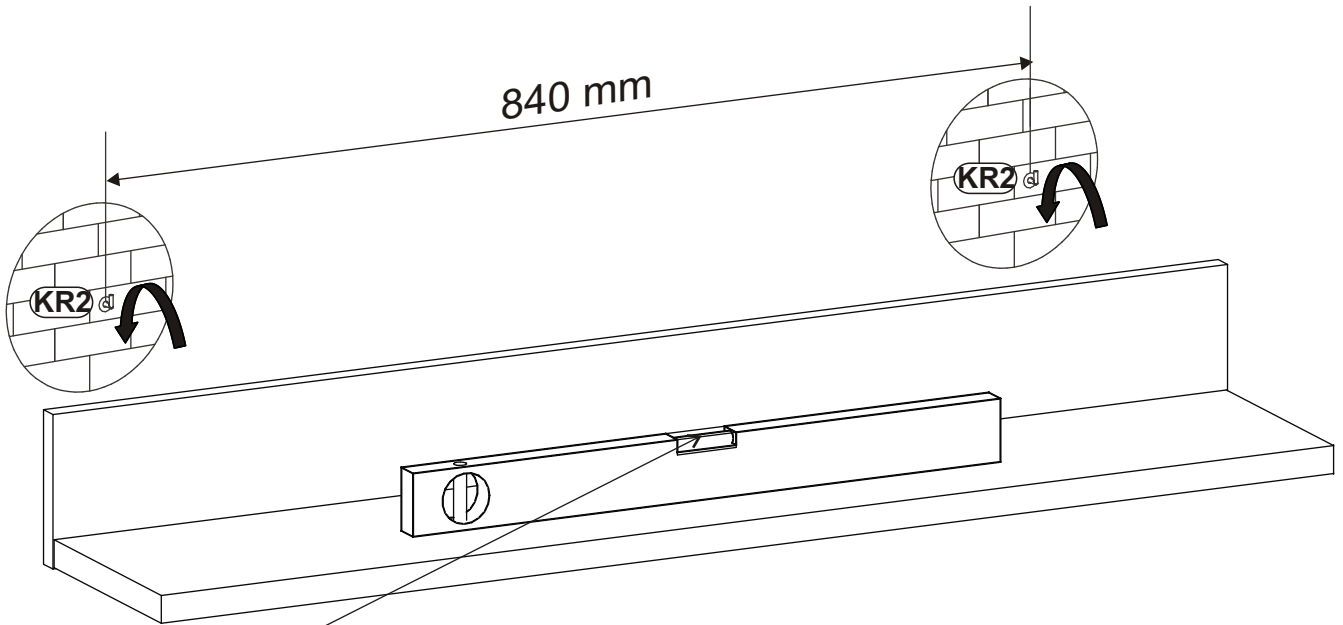
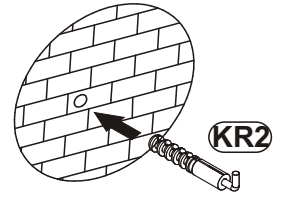
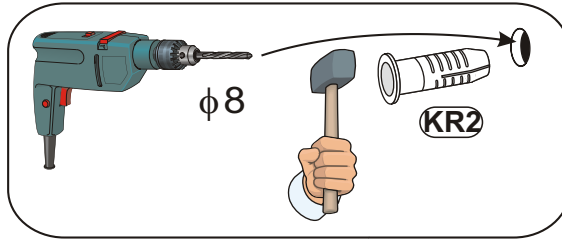
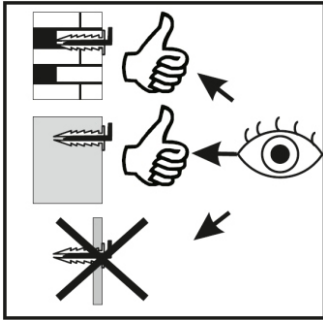
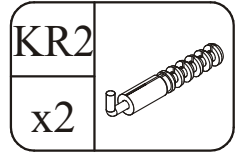


3

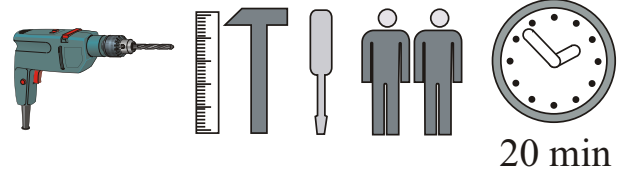
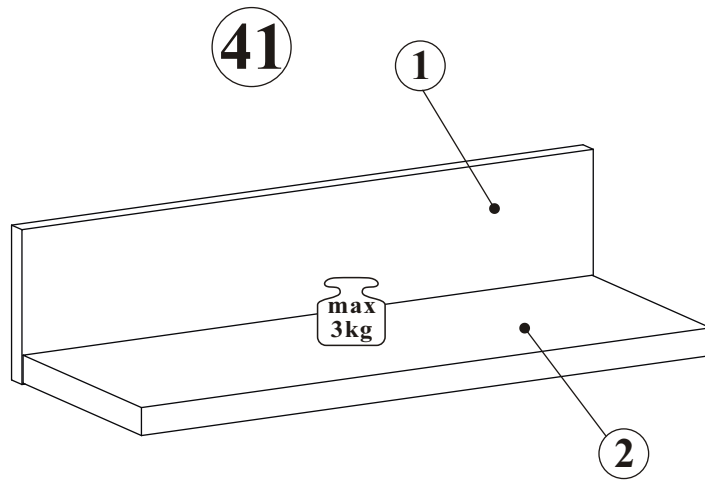
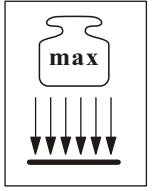
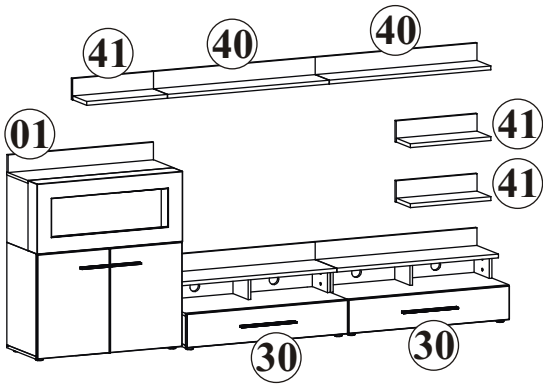
B11		G4	
x4	Ø7x50	x4	



4



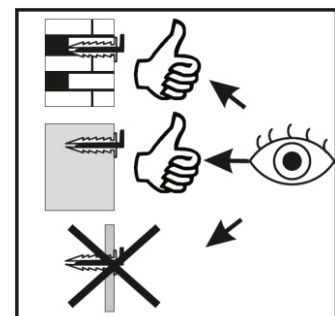
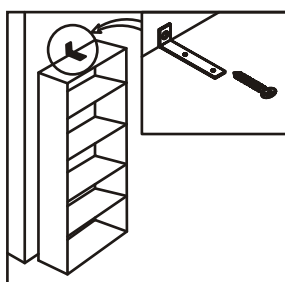
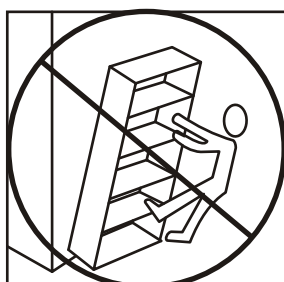
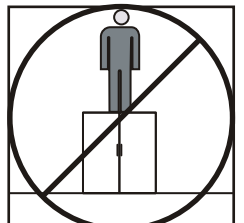
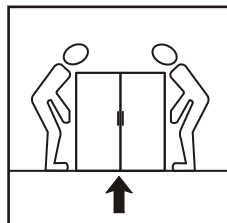
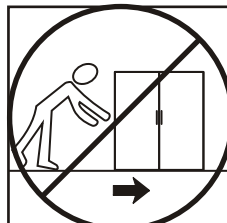
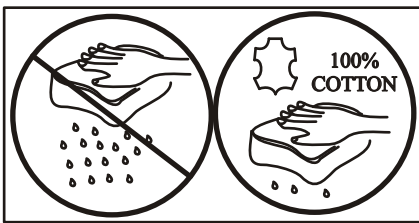
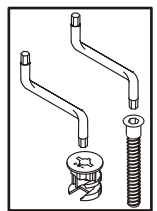
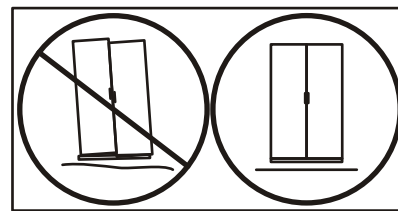
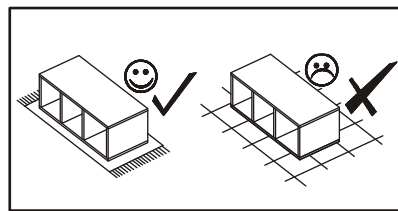
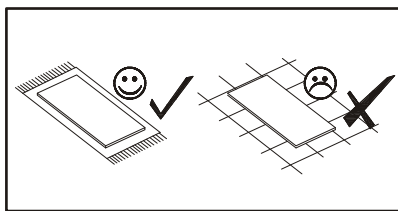
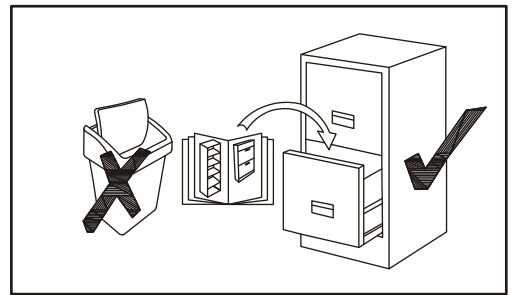
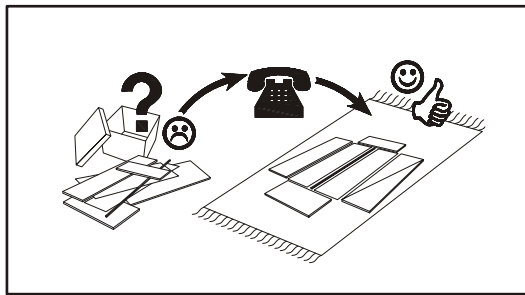
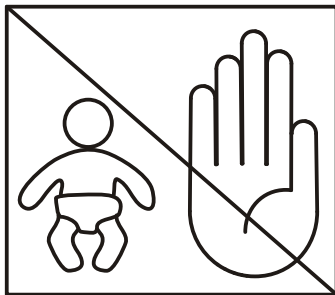
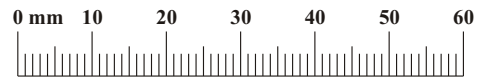
# CAMINO TYP 41



NO	Dim.		Col.-No	Qty
1	500	122	1	1
2	498	184	1	1

# CAMINO TYP 41

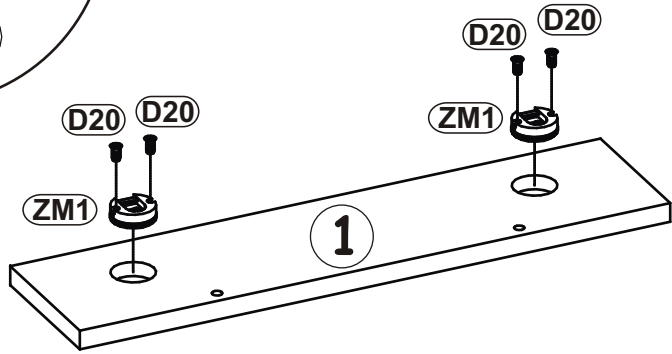
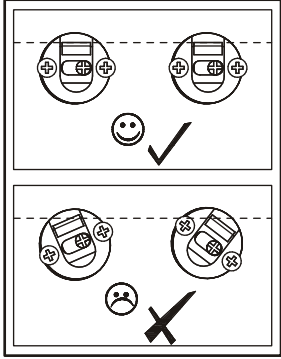
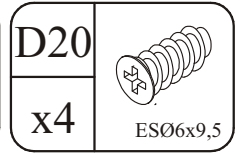
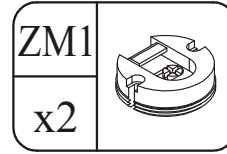
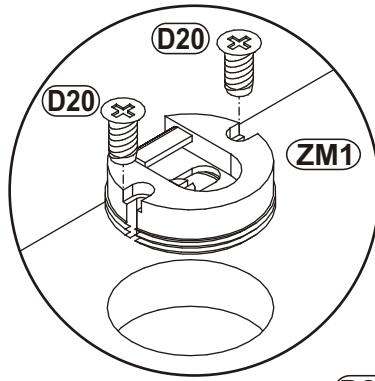
A1 x2 Ø8x36	B11 x2 Ø7x50	G4 x2	ZM1 x2	D20 x4 ESØ6x9,5	KR2 x2
G2 x1					



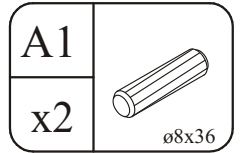
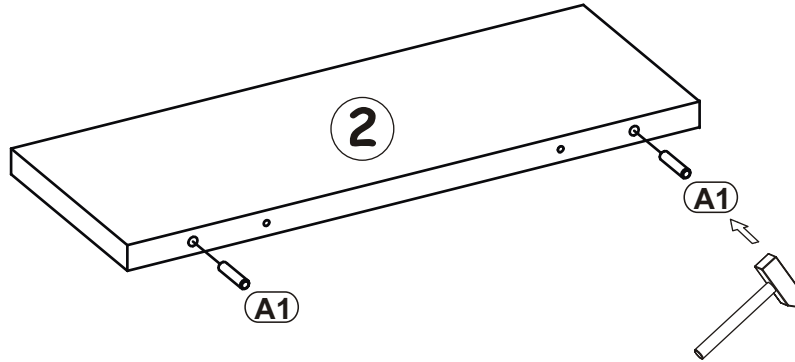
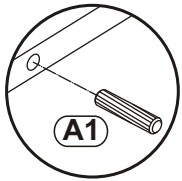


CAMINO TYP 41

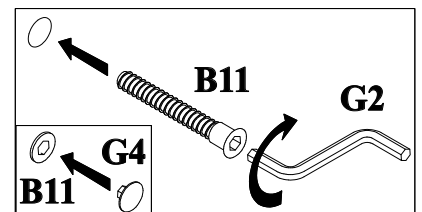
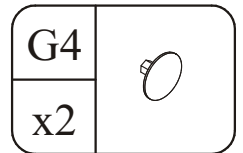
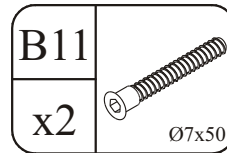
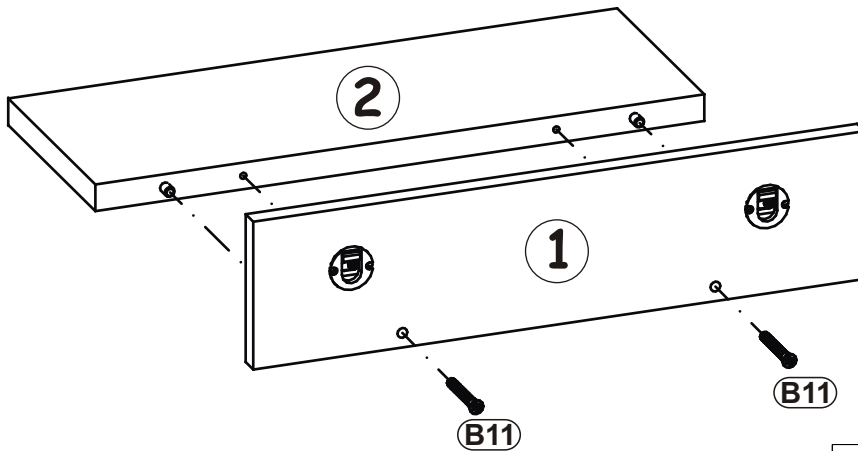
1



2



3



4

