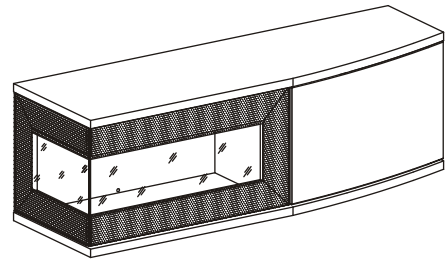
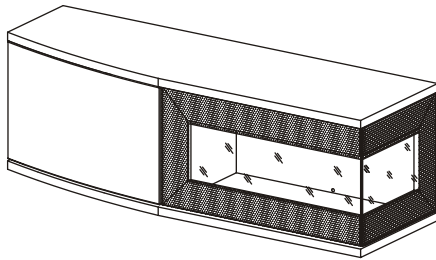
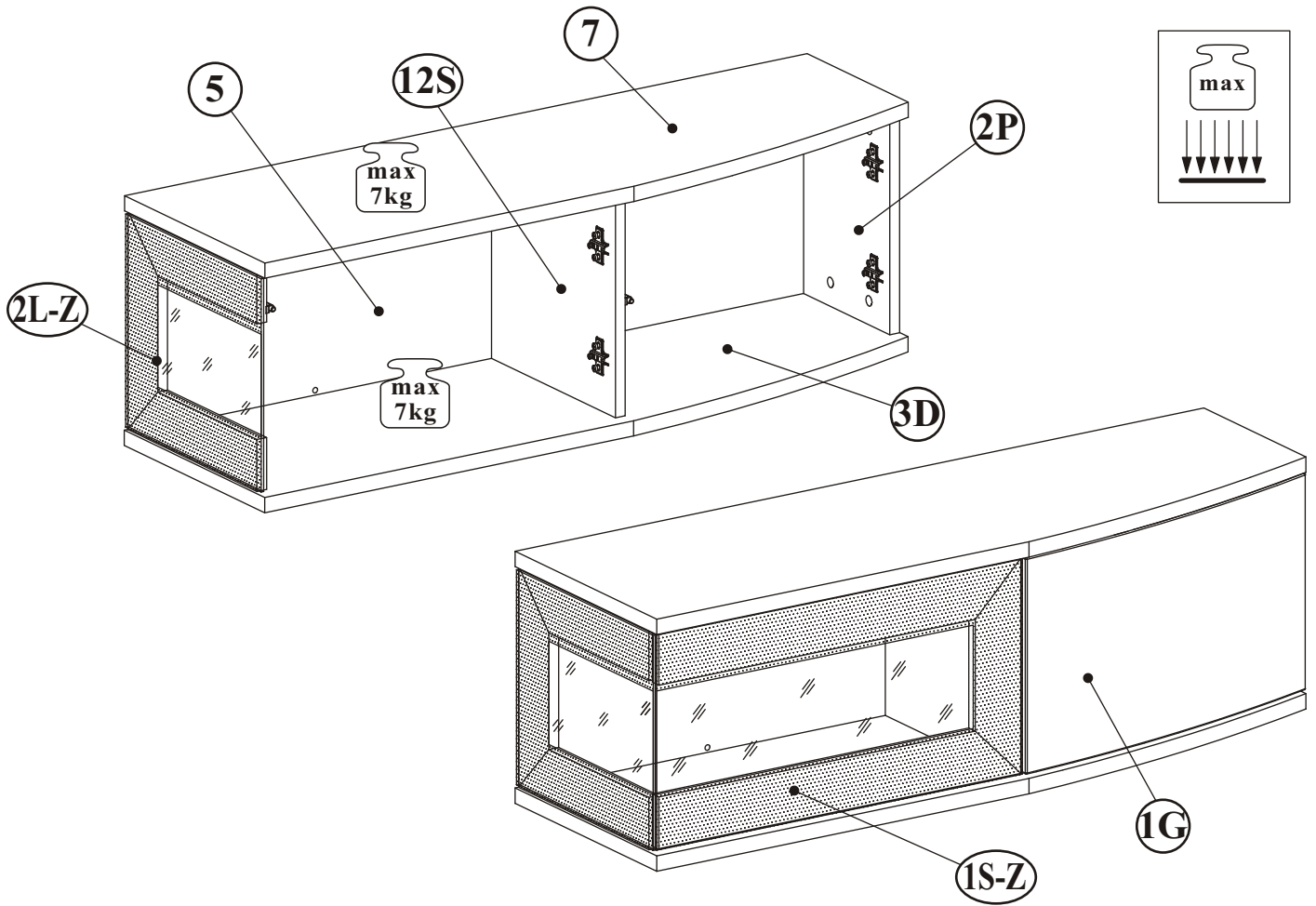
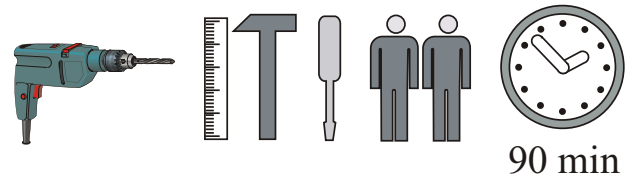


SONIC TYP-20



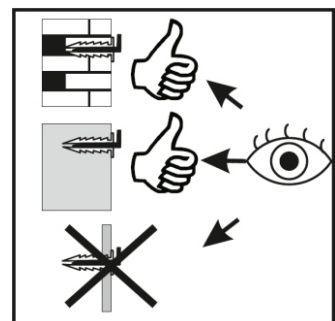
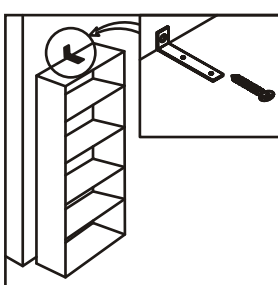
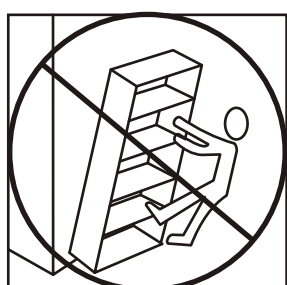
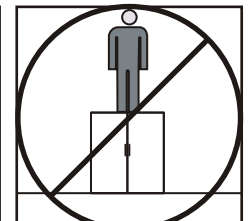
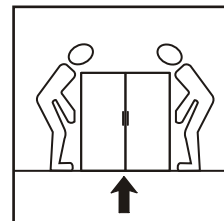
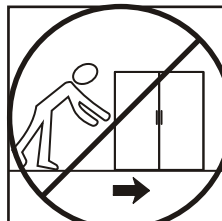
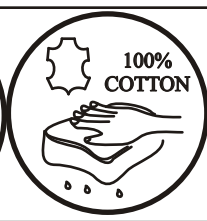
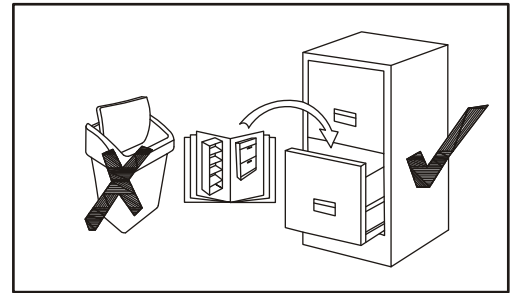
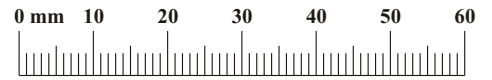
| NO | Dim. | | Col.-No | Qty |
|------|------|-----|---------|-----|
| 1G | 523 | 310 | 1 | 1 |
| 1S-Z | 590 | 310 | 1 | 1 |
| 2L-Z | 339 | 317 | 1 | 1 |
| 12S | 317 | 309 | 1 | 1 |
| 2P | 317 | 231 | 1 | 1 |
| 3D | 1121 | 350 | 1 | 1 |
| 5 | 1083 | 317 | 1 | 1 |
| 7 | 1121 | 350 | 1 | 1 |



90 min

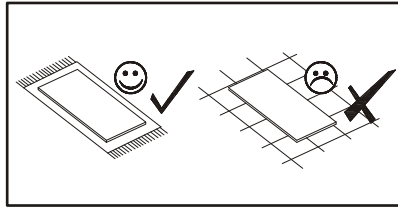
SONIC TYP-20

| | | | | | | | | | | | |
|--------------------|--|-------------------------|--|-------------------------|--|--------------------|--|-------------------|--|-------------------------|--|
| ZM1 x3 | | KR2 x3 | | D20 x6 ESØ6,3x9,5 | | A1 x20 Ø8x36 | | B4 x12 | | B5 x12 ø15x12 | |
| G5 x12 | | E21 x2 Ø35 H=0 | | E23 x2 Ø35 H=8 | | E2 x4 H=0 | | T2 x2 20x14 | | D10 x12 USØ3,5x13 | |
| B11 x1 Ø7x50 | | G4 x1 | | Z4 x1 Ø8 | | G2 x1 | | | | | |



SONIC TYP-20

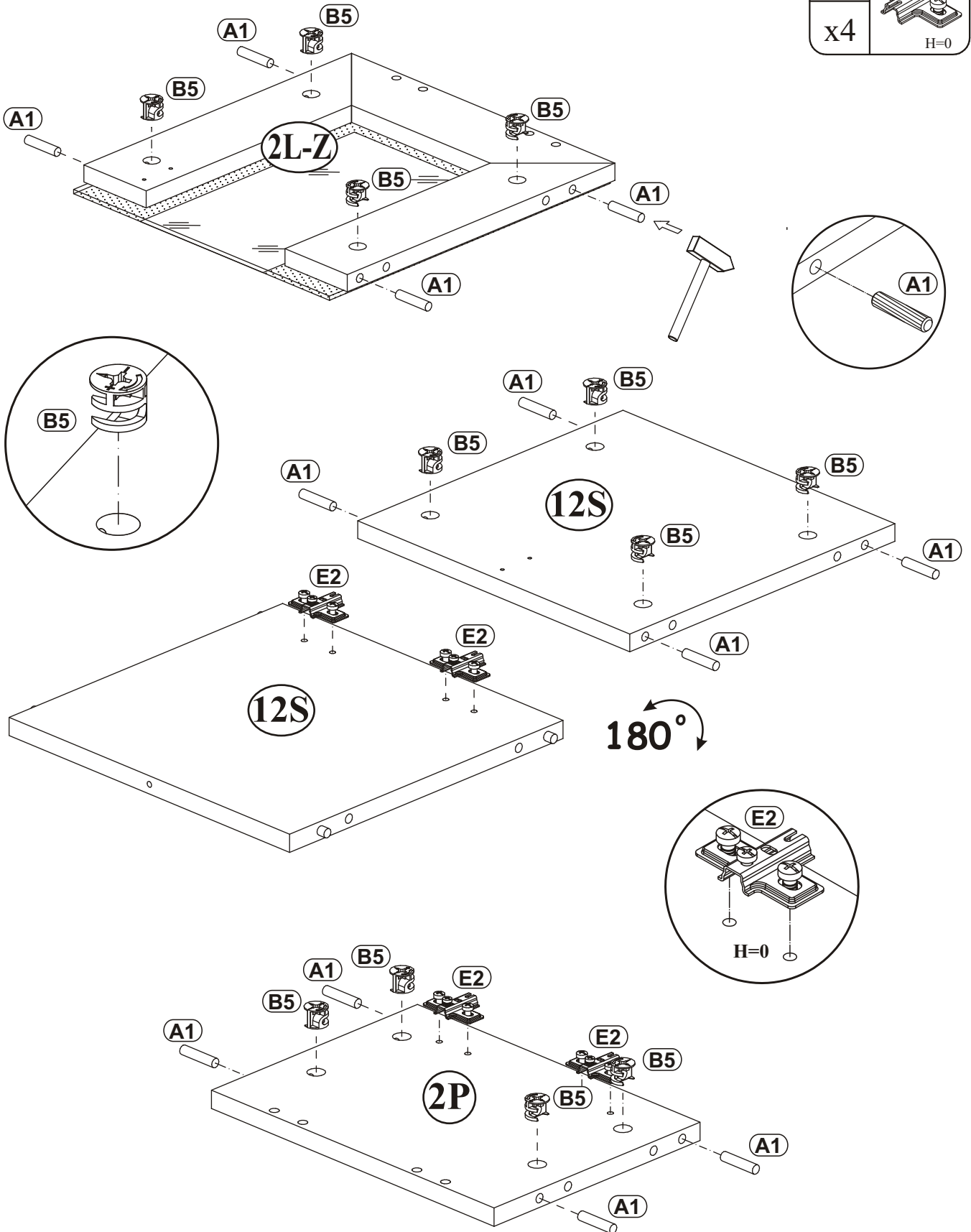
1

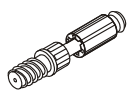


| | |
|-----|--------|
| B5 | |
| x12 | ø15x12 |

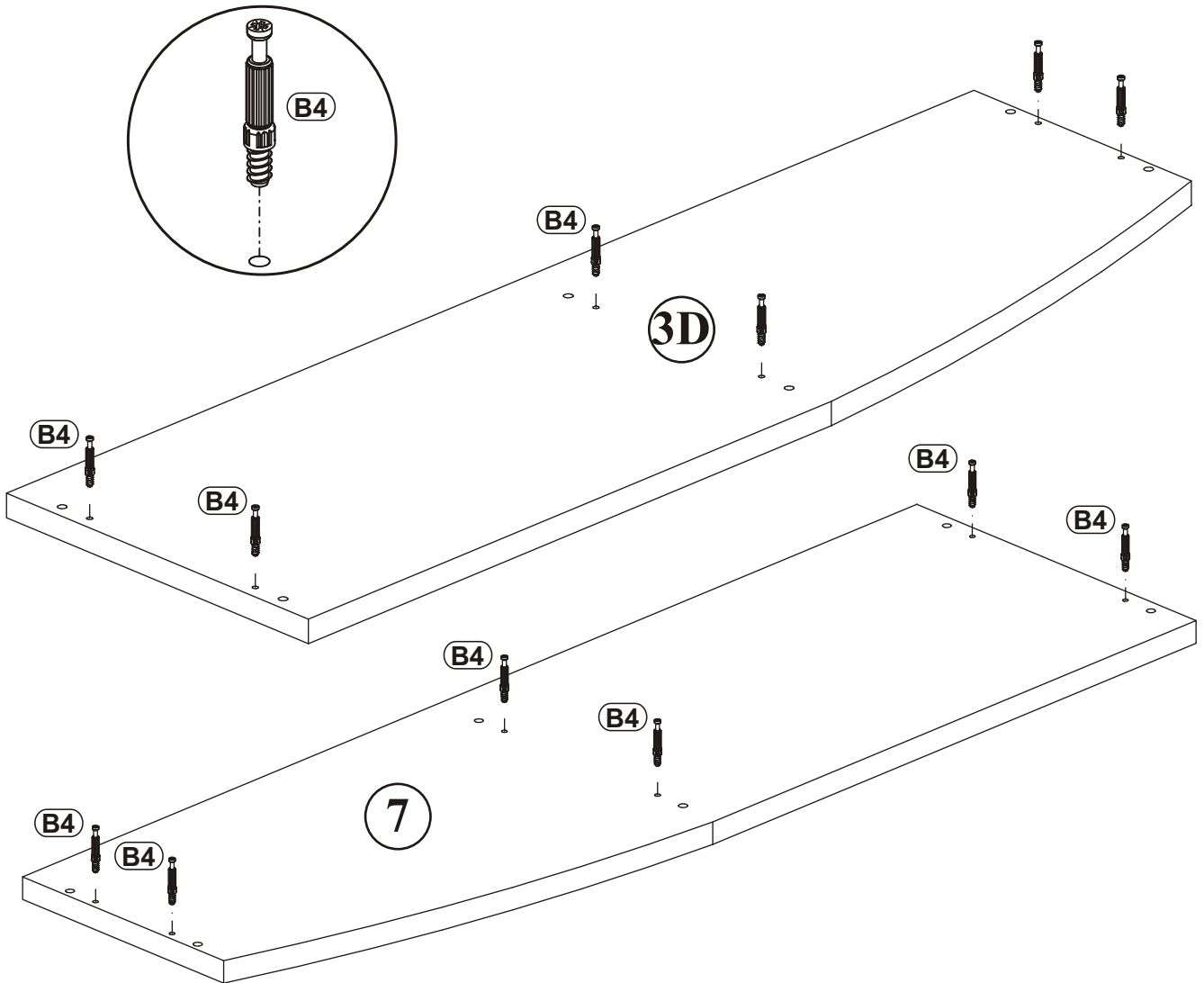
| | |
|-----|-------|
| A1 | |
| x12 | ø8x36 |

| | |
|----|-----|
| E2 | |
| x4 | H=0 |

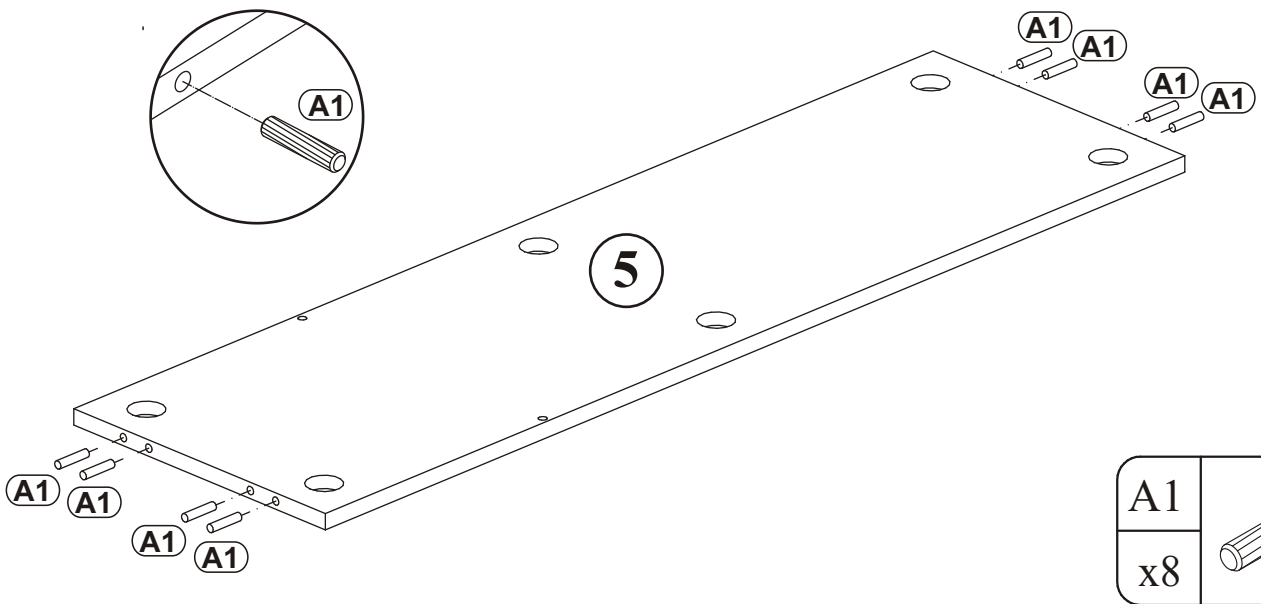


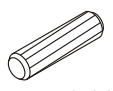
| | |
|-----|---|
| B4 |  |
| x12 | |

2



3

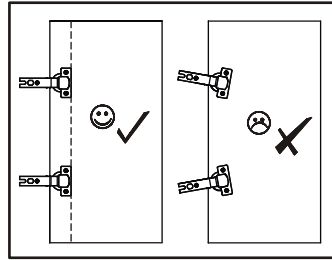



| | |
|----|---|
| A1 |  |
| x8 | |

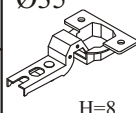
ø8x36

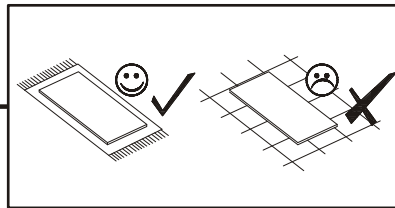
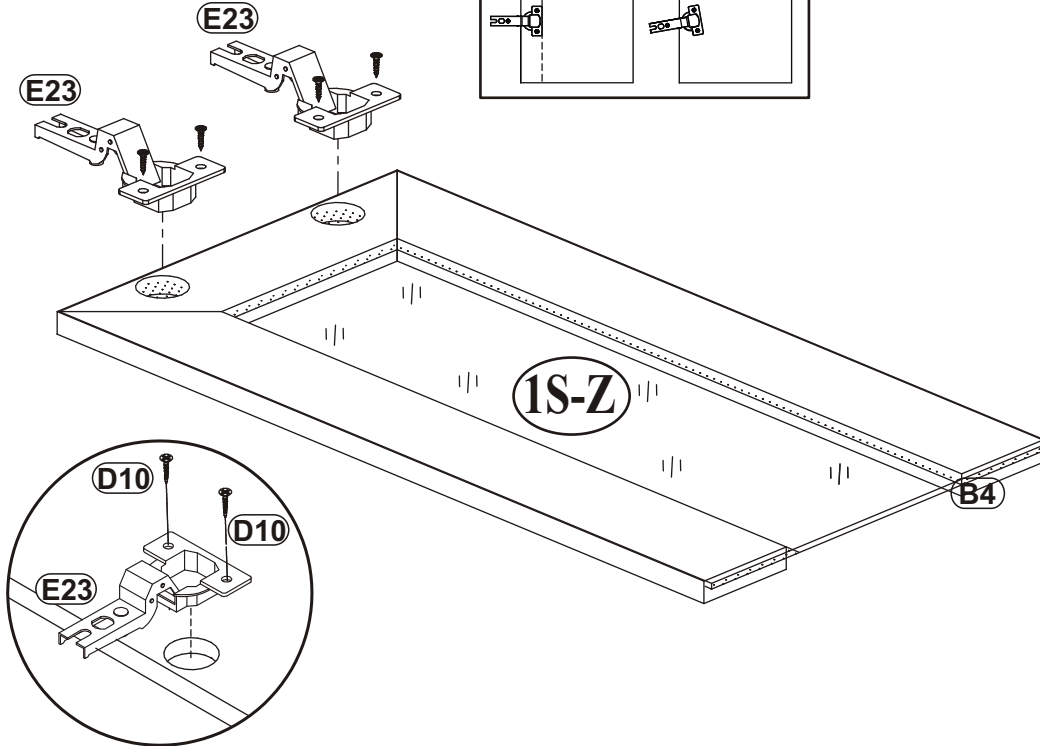
SONIC TYP-20

4




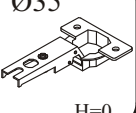
| | |
|-----|---|
| D10 |  |
| x4 | USØ3,5x13 |

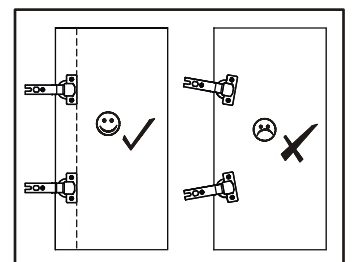
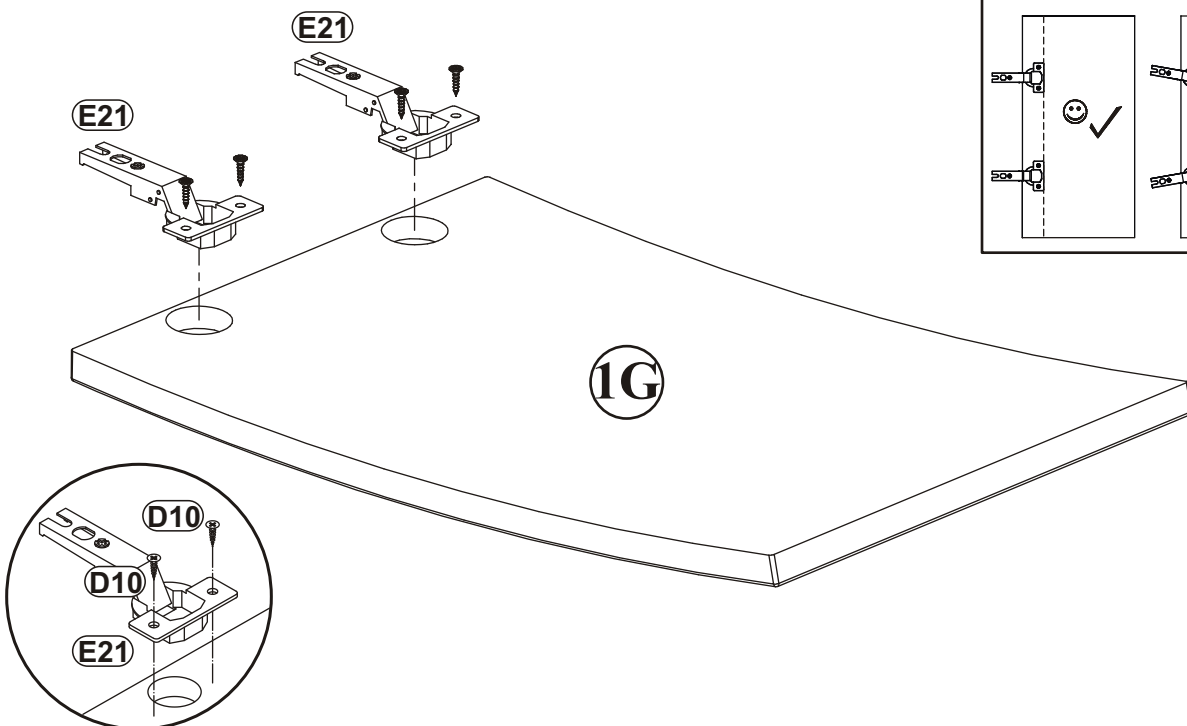
| | |
|-----|---|
| E23 | Ø35 |
| x2 |  |
| | H=8 |



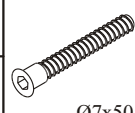

5

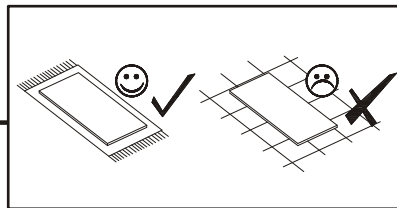
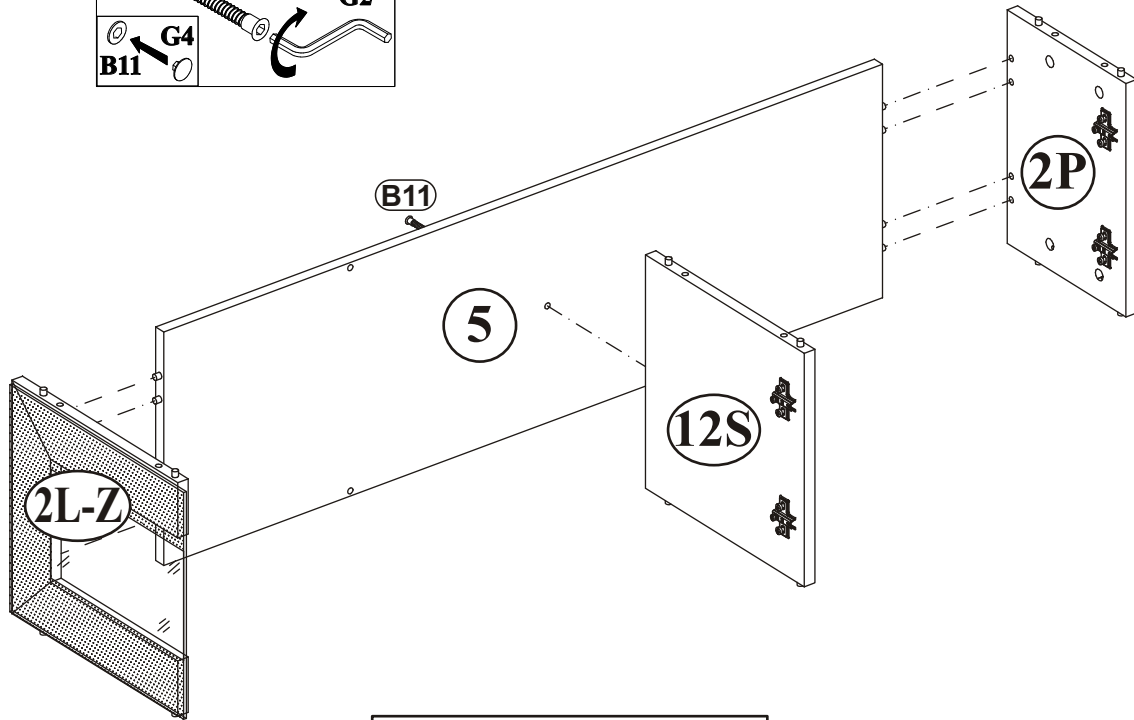
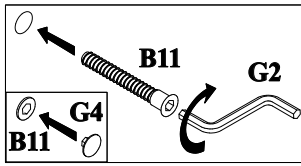
| | |
|-----|---|
| D10 |  |
| x4 | USØ3,5x13 |

| | |
|-----|---|
| E21 | Ø35 |
| x2 |  |
| | H=0 |




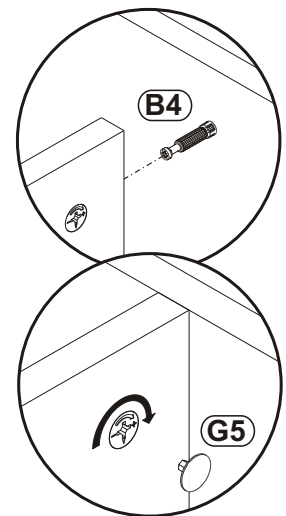
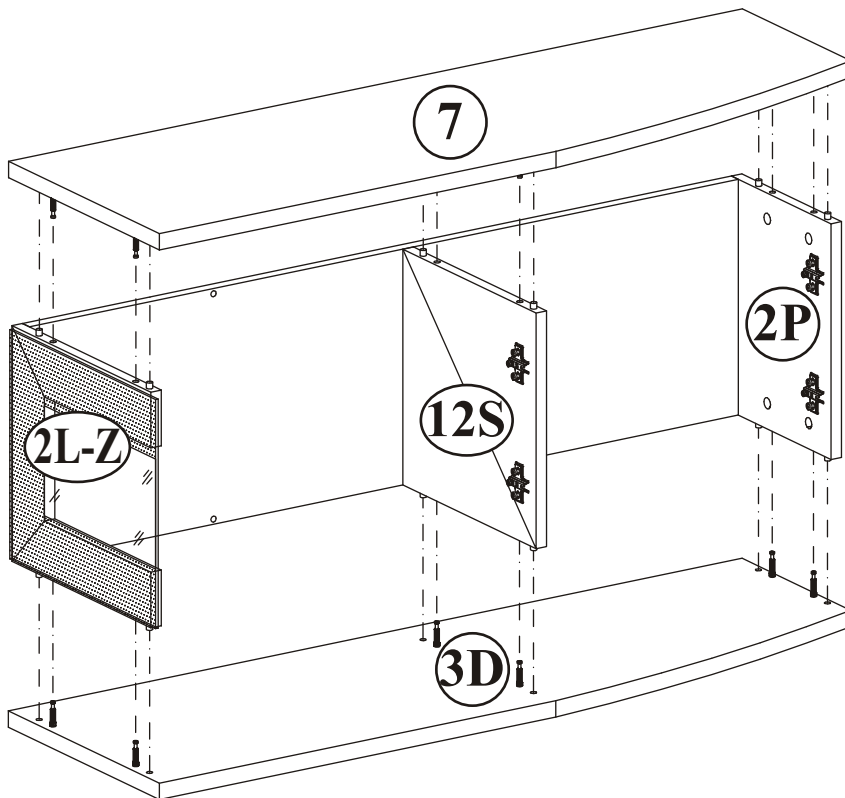
6

| | | | |
|-----|---|----|---|
| B11 |  | G4 |  |
| x1 | Ø7x50 | x1 | |

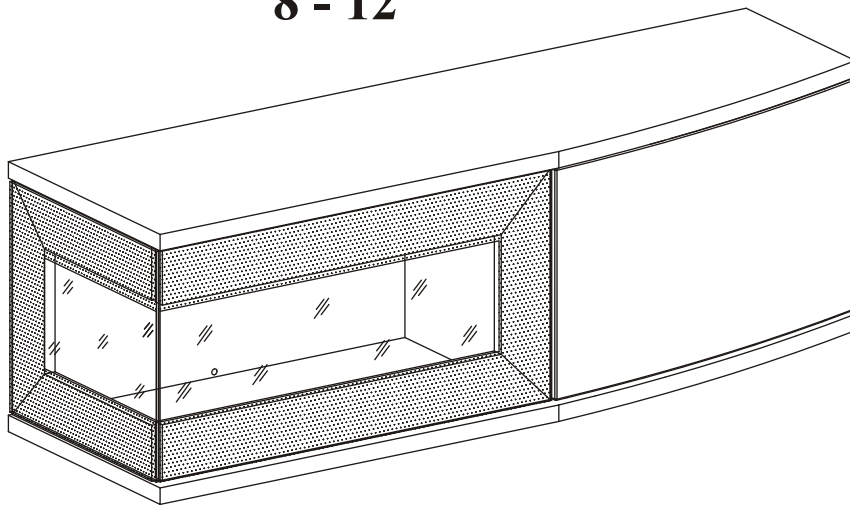


7

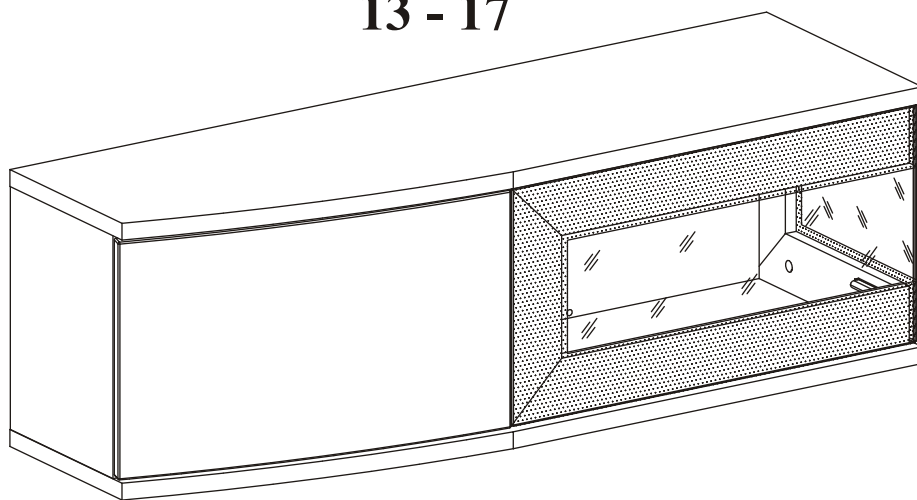
| | |
|-----|---|
| G5 |  |
| x12 | |



8 - 12

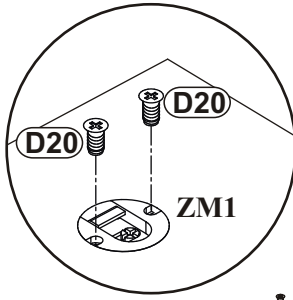
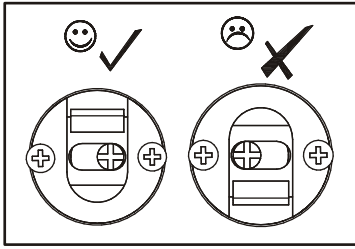


13 - 17

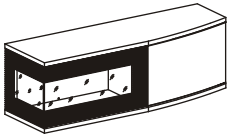
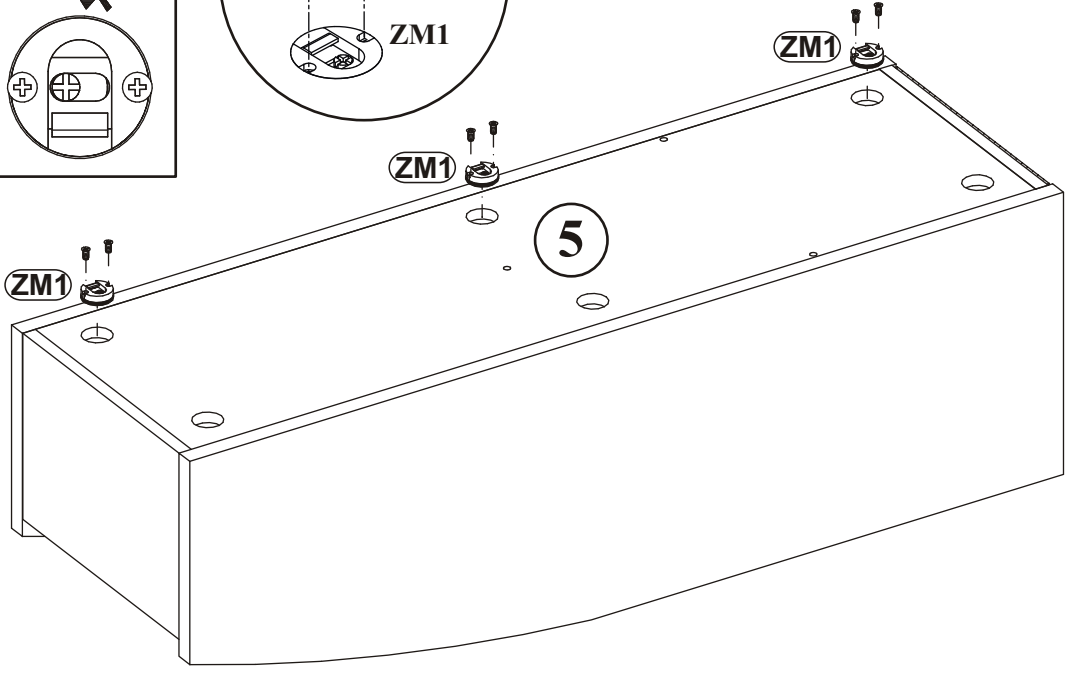


SONIC TYP-20

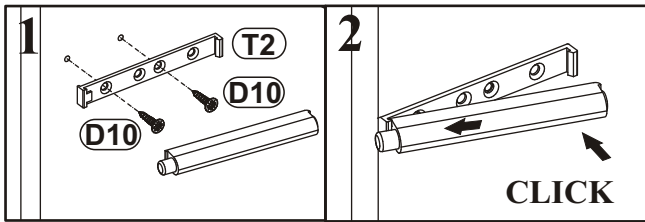
8



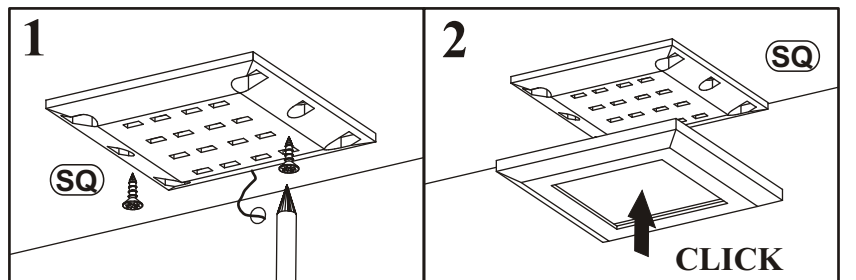
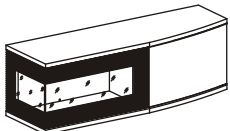
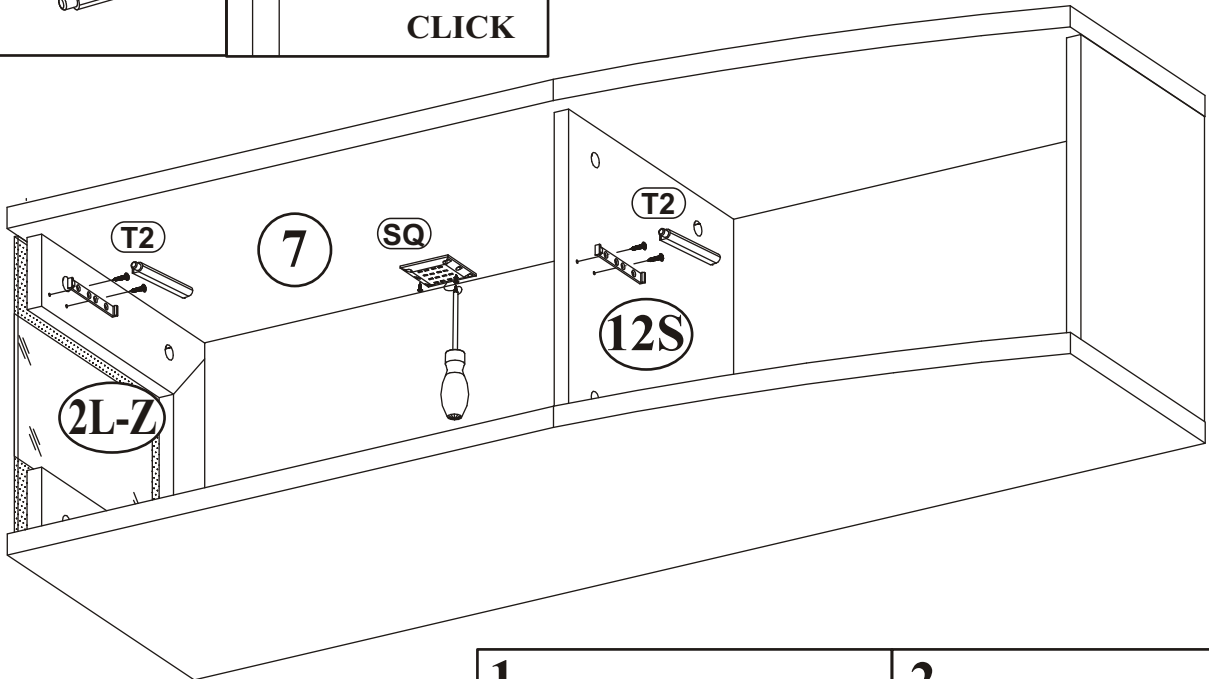
| | | | |
|-----|--|-----|------------|
| ZM1 | | D20 | |
| x3 | | x6 | ESØ6,3x9,5 |



9

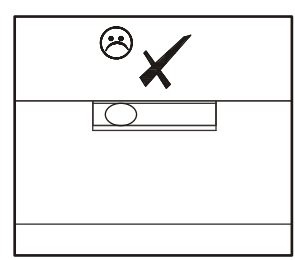
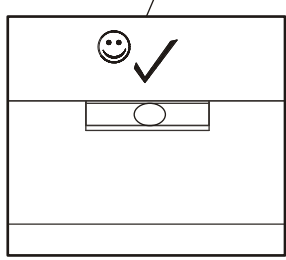
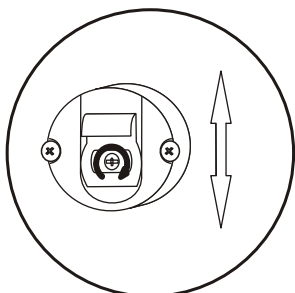
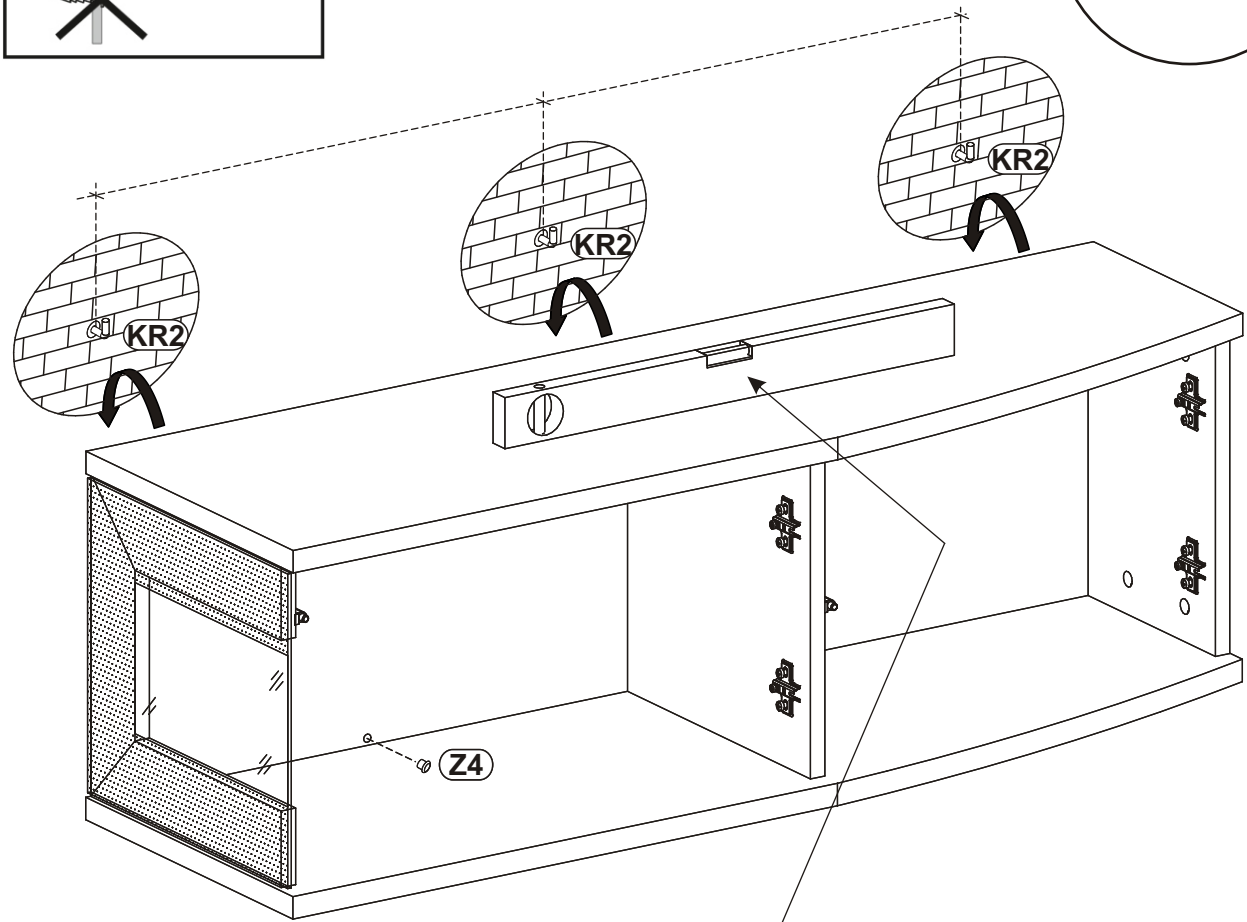
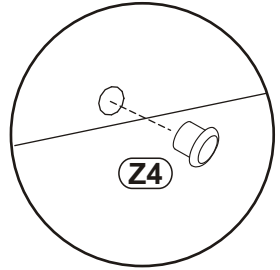
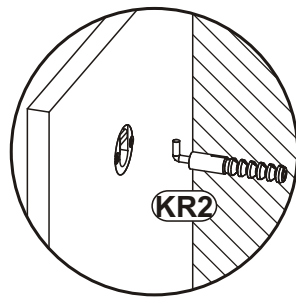
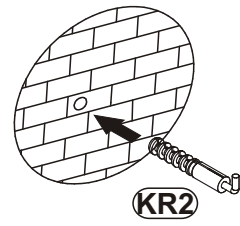
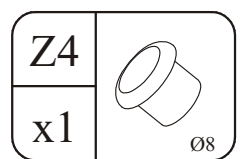
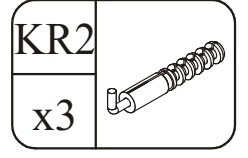
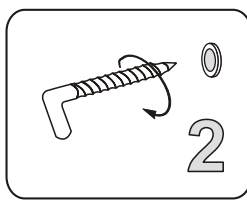
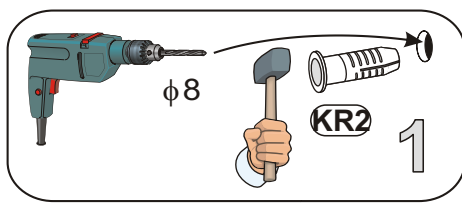
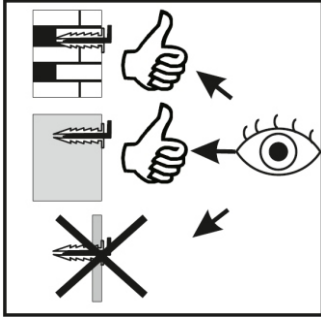
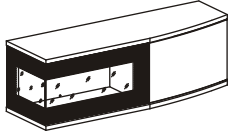


| | | | | | |
|----|--|----|------------|-----|-----------|
| SQ | | T2 | | D10 | |
| x1 | | x2 | + 20x14 | x4 | USØ3,5x13 |

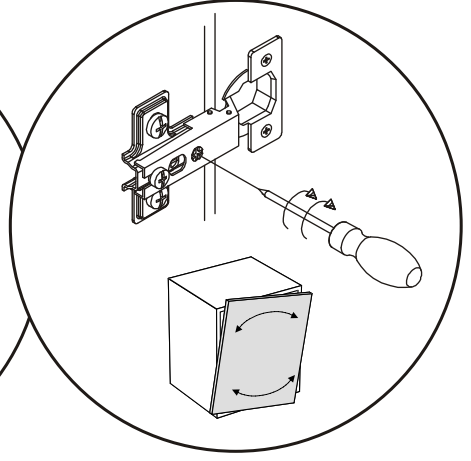
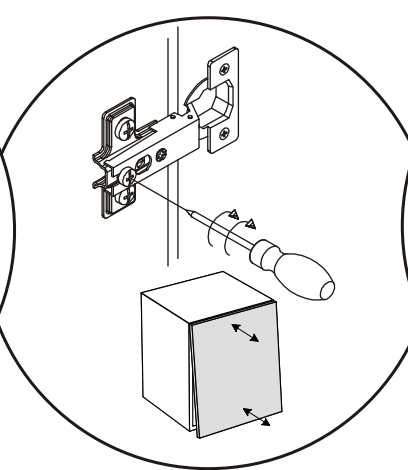
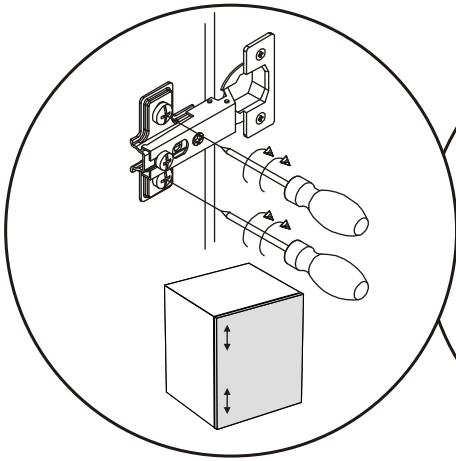
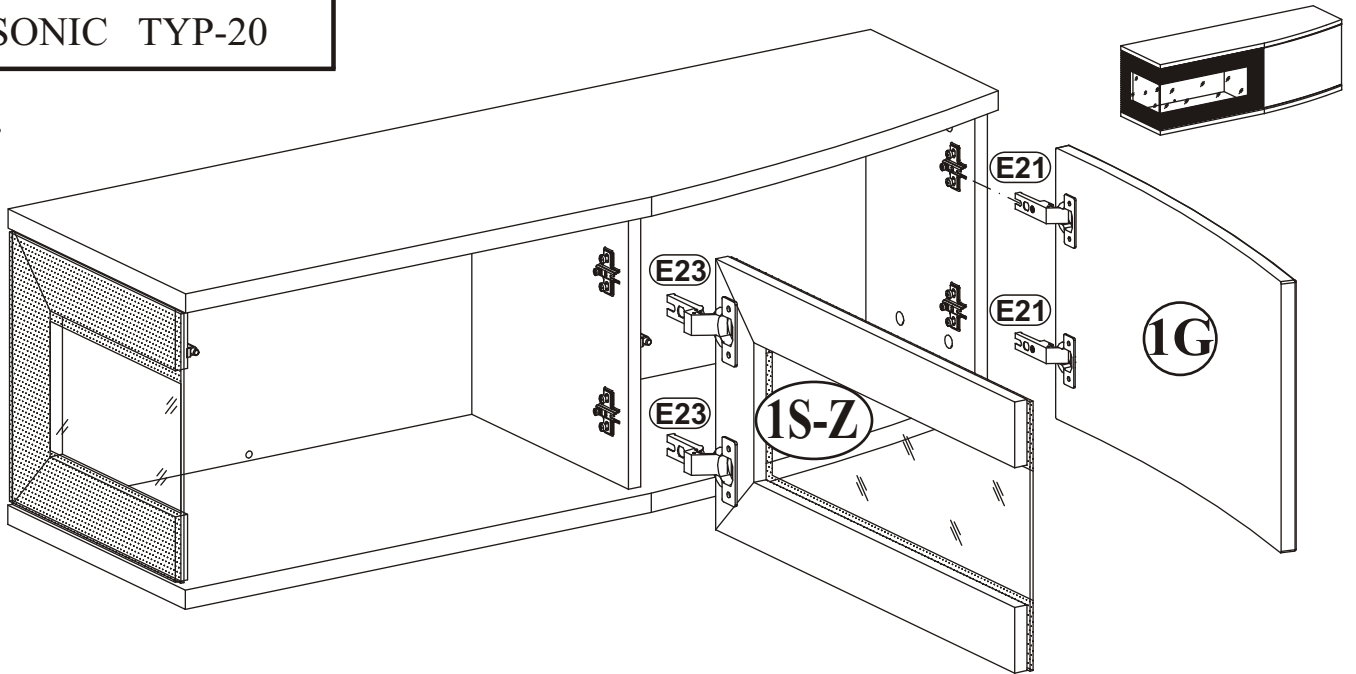


SONIC TYP-20

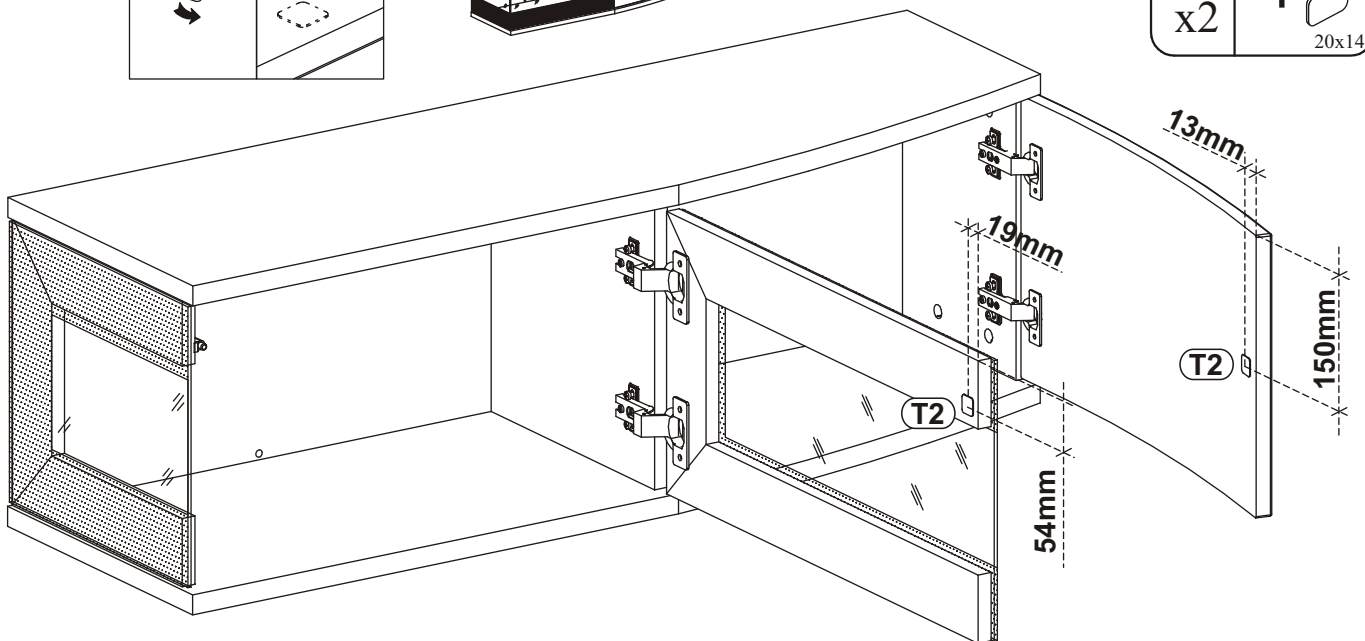
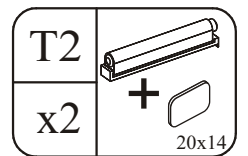
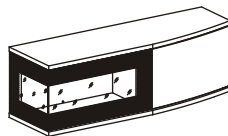
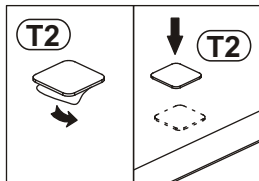
10



11

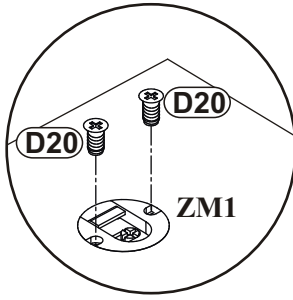
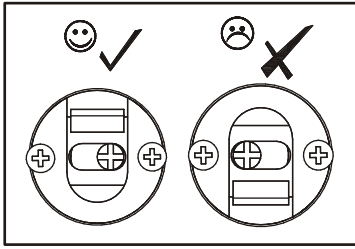


12

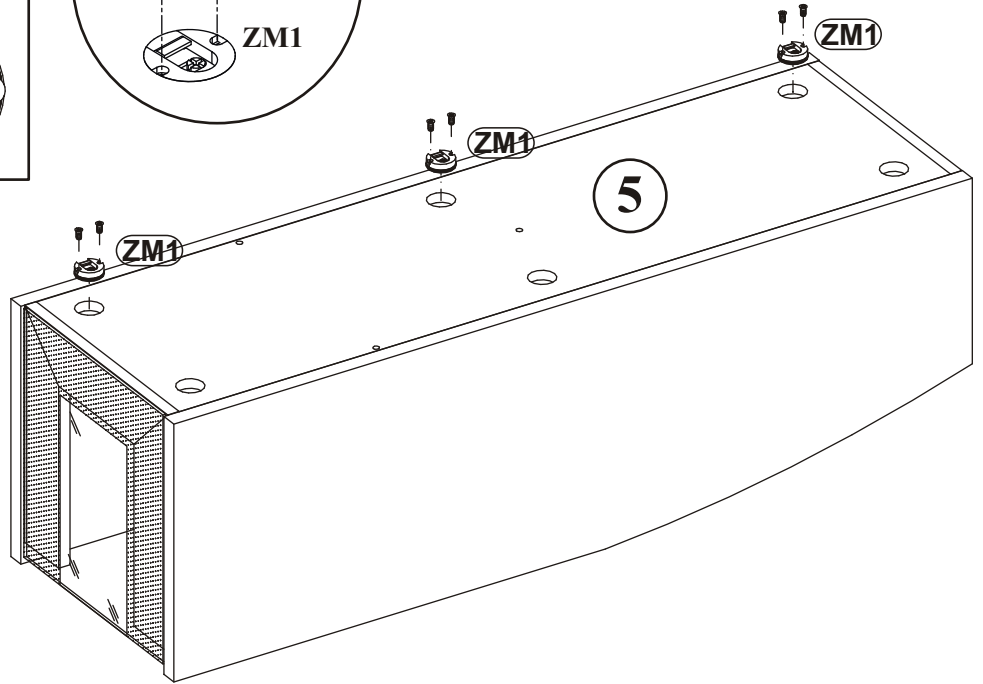
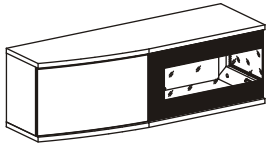


SONIC TYP-20

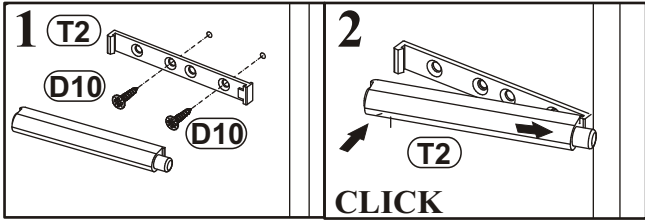
13



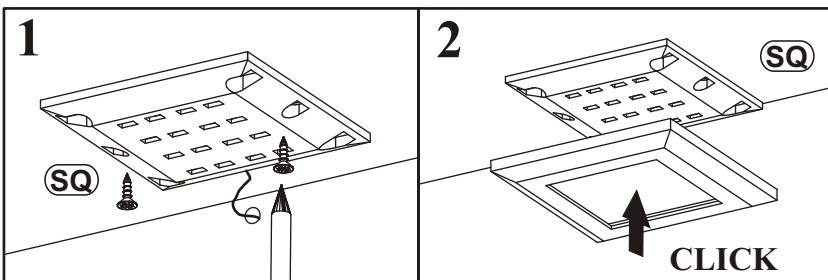
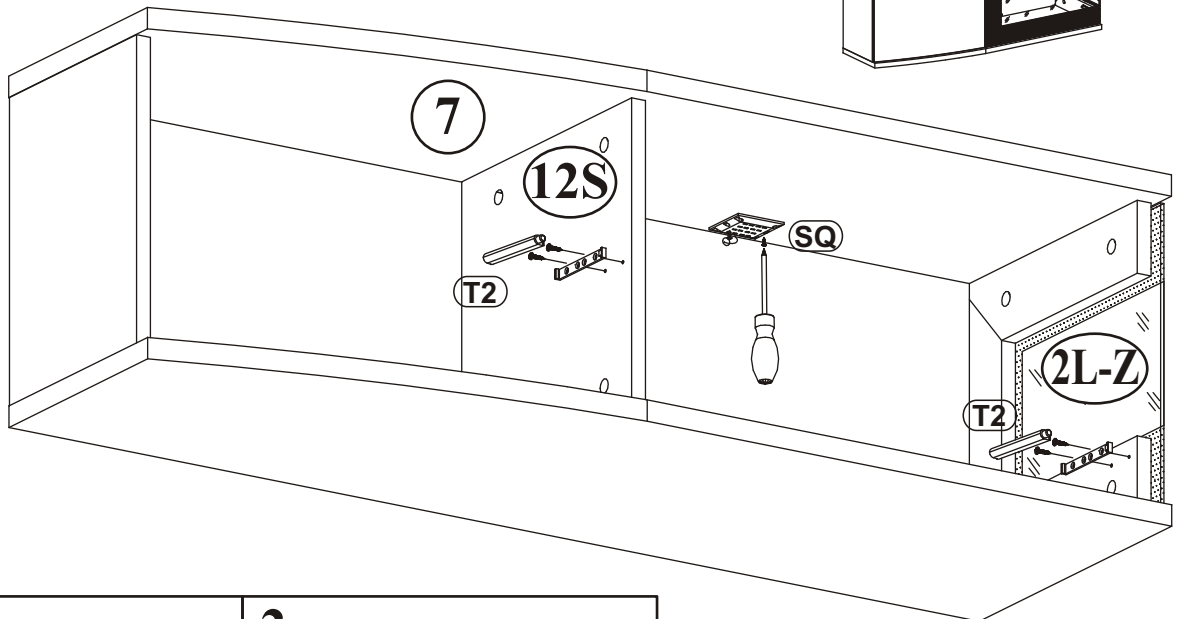
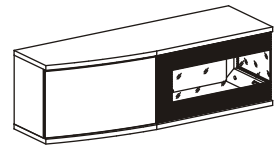
| | | | |
|-----|--|-----|------------|
| ZM1 | | D20 | |
| x3 | | x6 | ESØ6,3x9,5 |



14

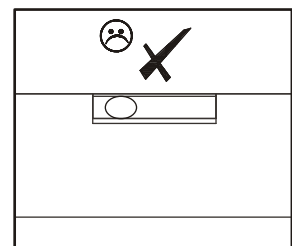
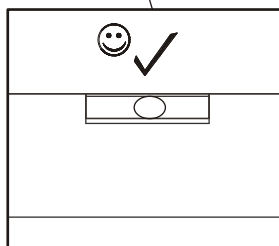
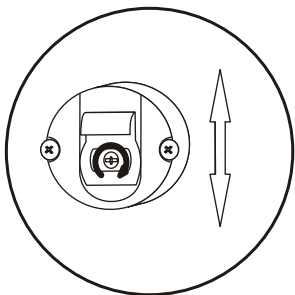
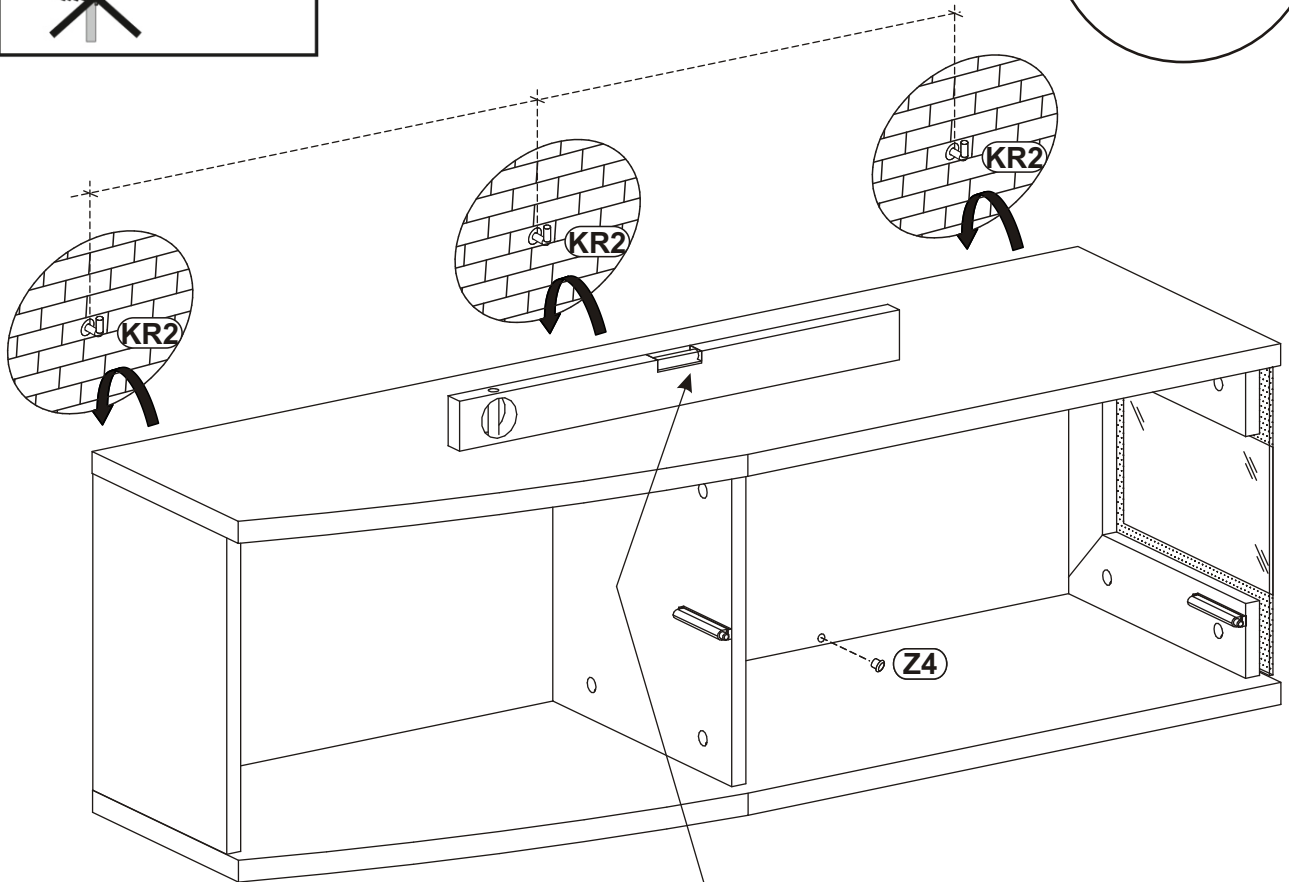
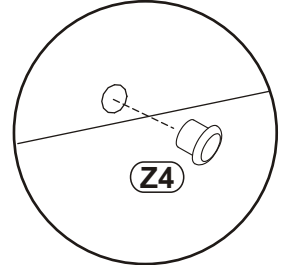
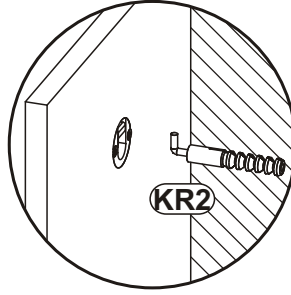
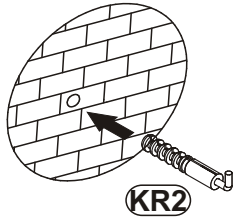
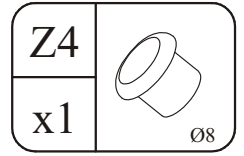
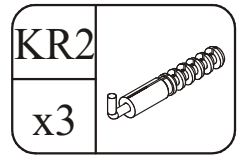
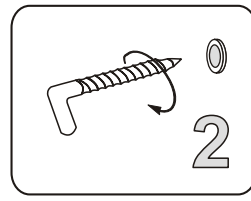
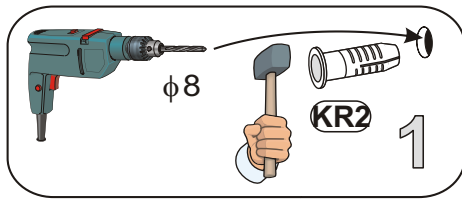
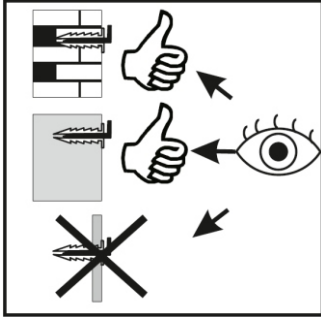
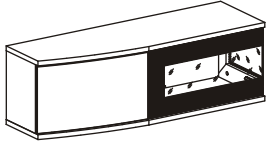


| | | | | | |
|----|--|----|-------|-----|-----------|
| SQ | | T2 | | D10 | |
| x1 | | x2 | 20x14 | x4 | USØ3,5x13 |

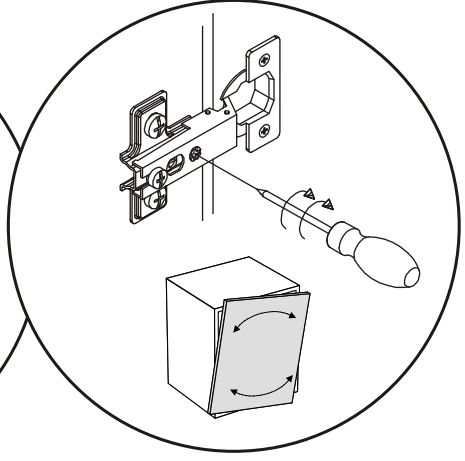
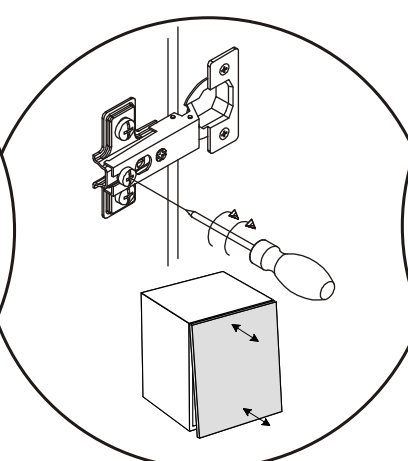
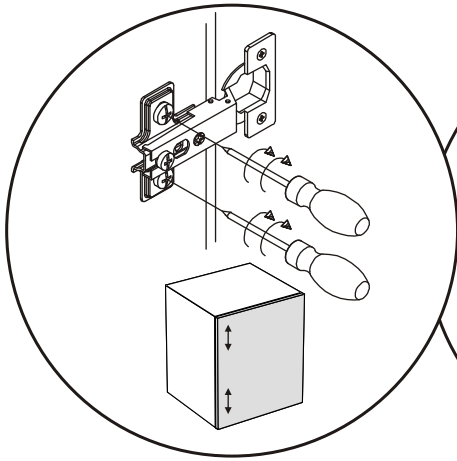
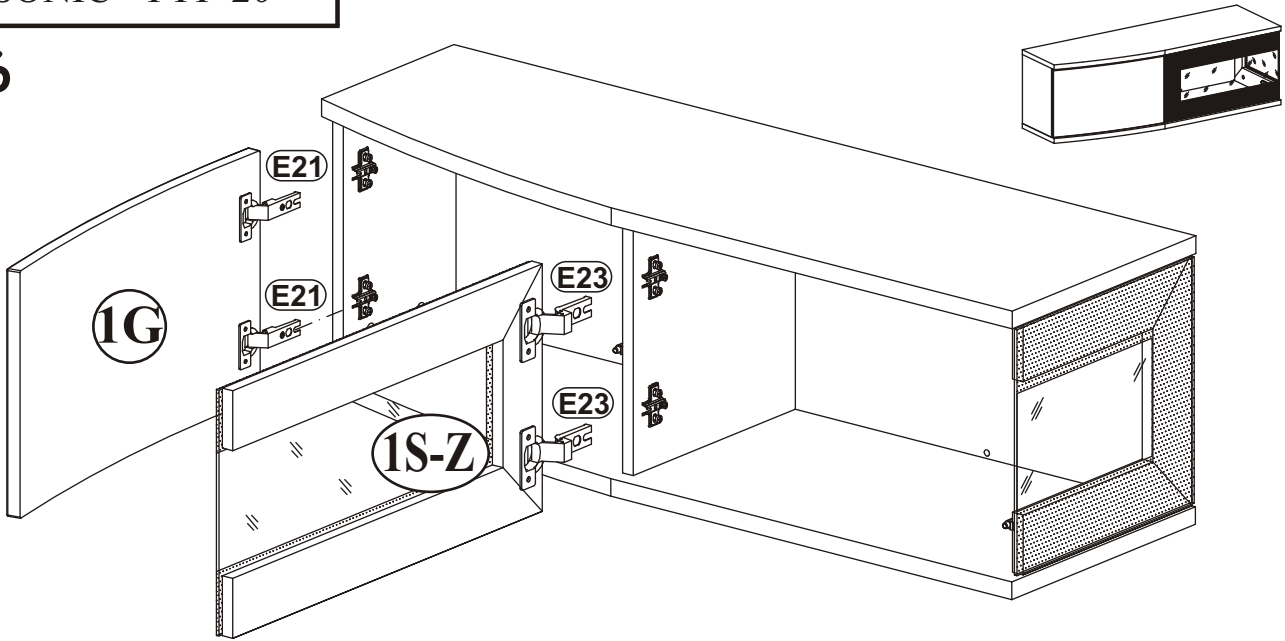


SONIC TYP-20

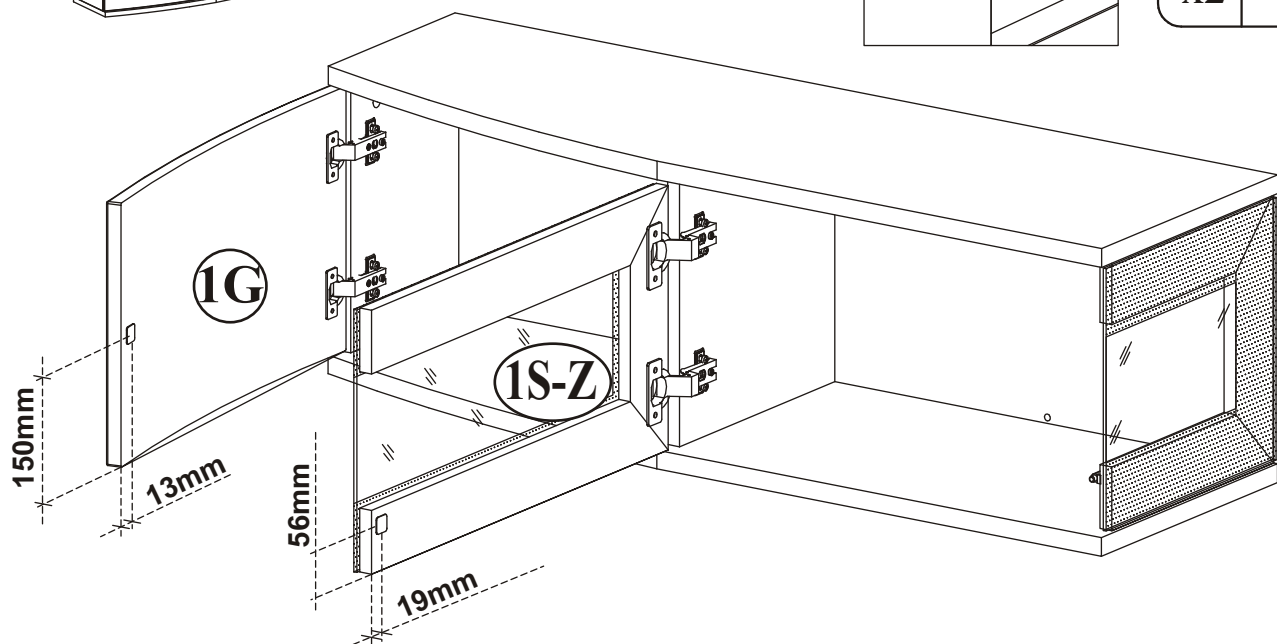
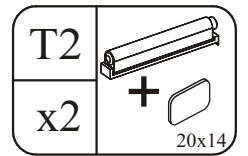
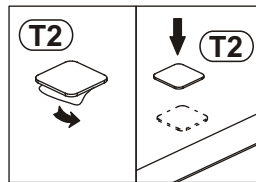
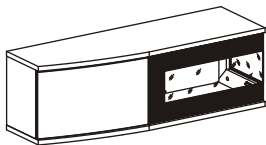
15



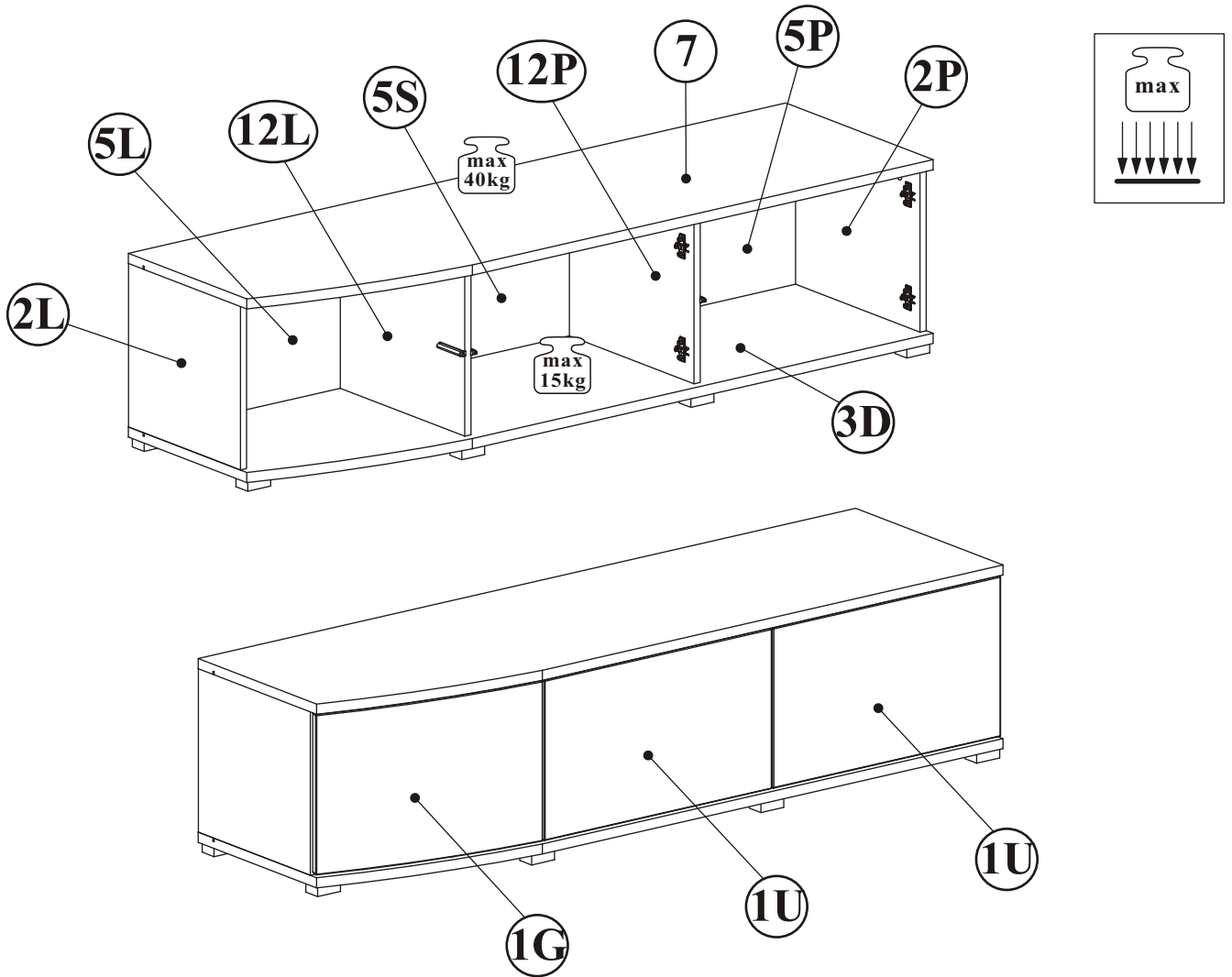
16



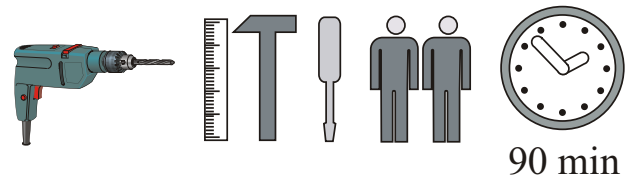
17



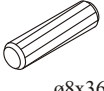
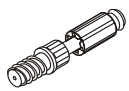
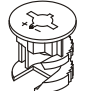

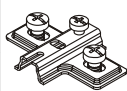
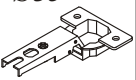
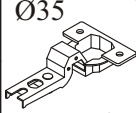
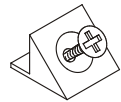

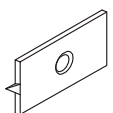
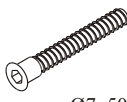

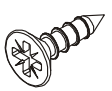


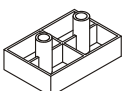
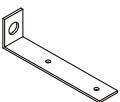


SONIC TYP-31

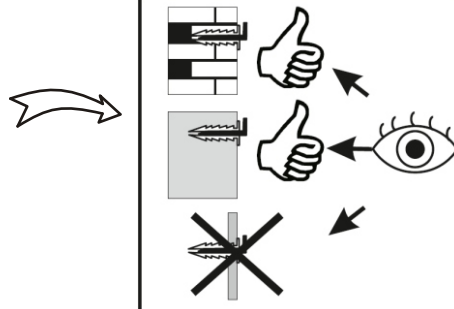
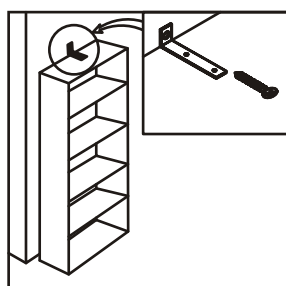
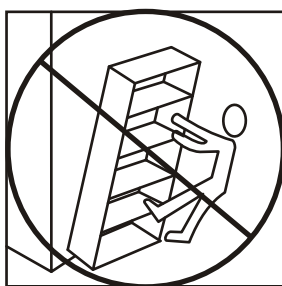
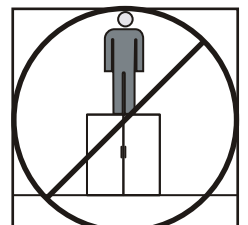
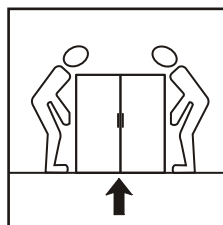
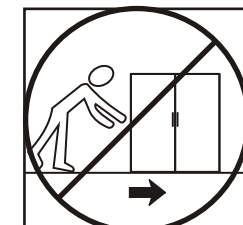
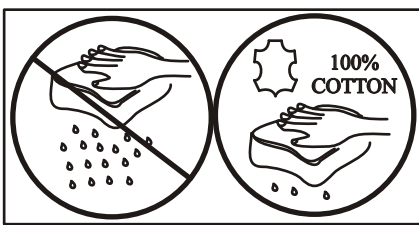
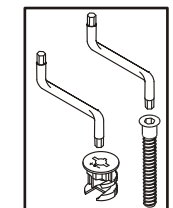
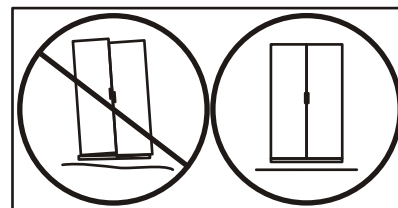
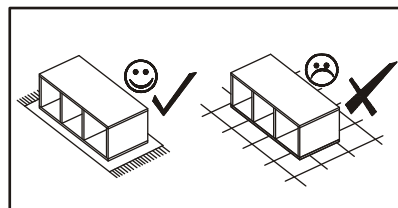
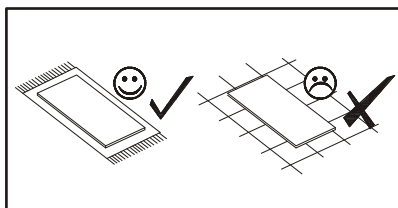
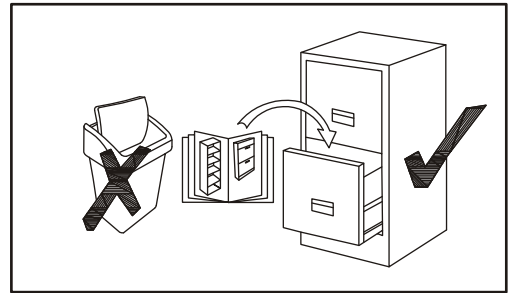
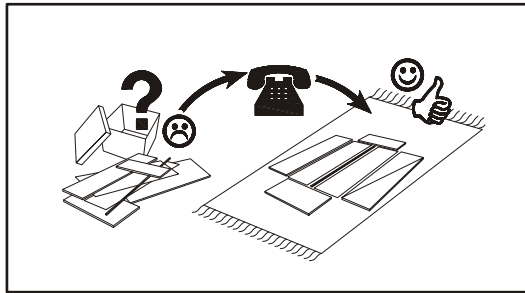
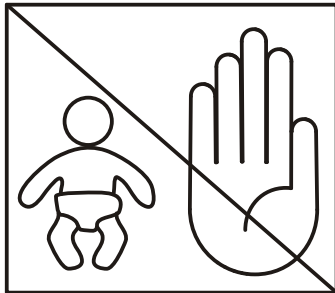
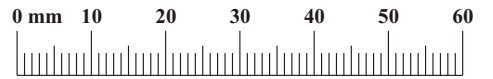


| NO | Dim. | | Col.-No | Qty |
|-----|------|-----|---------|-----|
| 1G | 523 | 348 | 1 | 1 |
| 1U | 596 | 348 | 1 | 2 |
| 2L | 355 | 380 | 2 | 1 |
| 2P | 355 | 477 | 2 | 1 |
| 12L | 355 | 423 | 2 | 1 |
| 12P | 355 | 423 | 2 | 1 |
| 3D | 1721 | 500 | 2 | 1 |
| 5L | 367 | 510 | 1 | 1 |
| 5S | 367 | 600 | 1 | 1 |
| 5P | 367 | 590 | 2 | 1 |
| 7 | 1721 | 500 | 1 | 1 |



SONIC TYP-31

| | | | | | |
|--|--|--|---|---|--|
| A1 x16  ø8x36 | B4 x8  | B5 x8  ø15x12 | G5 x8  | E2 x6  H=0 | E21 x4  Ø35 H=0 |
| E23 x2  Ø35 H=8 | S1 x14  | UP13 x4  UPØ3x16 | G16 x4  | B11 x8  Ø7x50 | G4 x8  |
| D10 x20  USØ3,5x13 | T2 x3  +  20x14 | ST6 x8  | L1 x1  | KR1 x1  | G2 x1  |



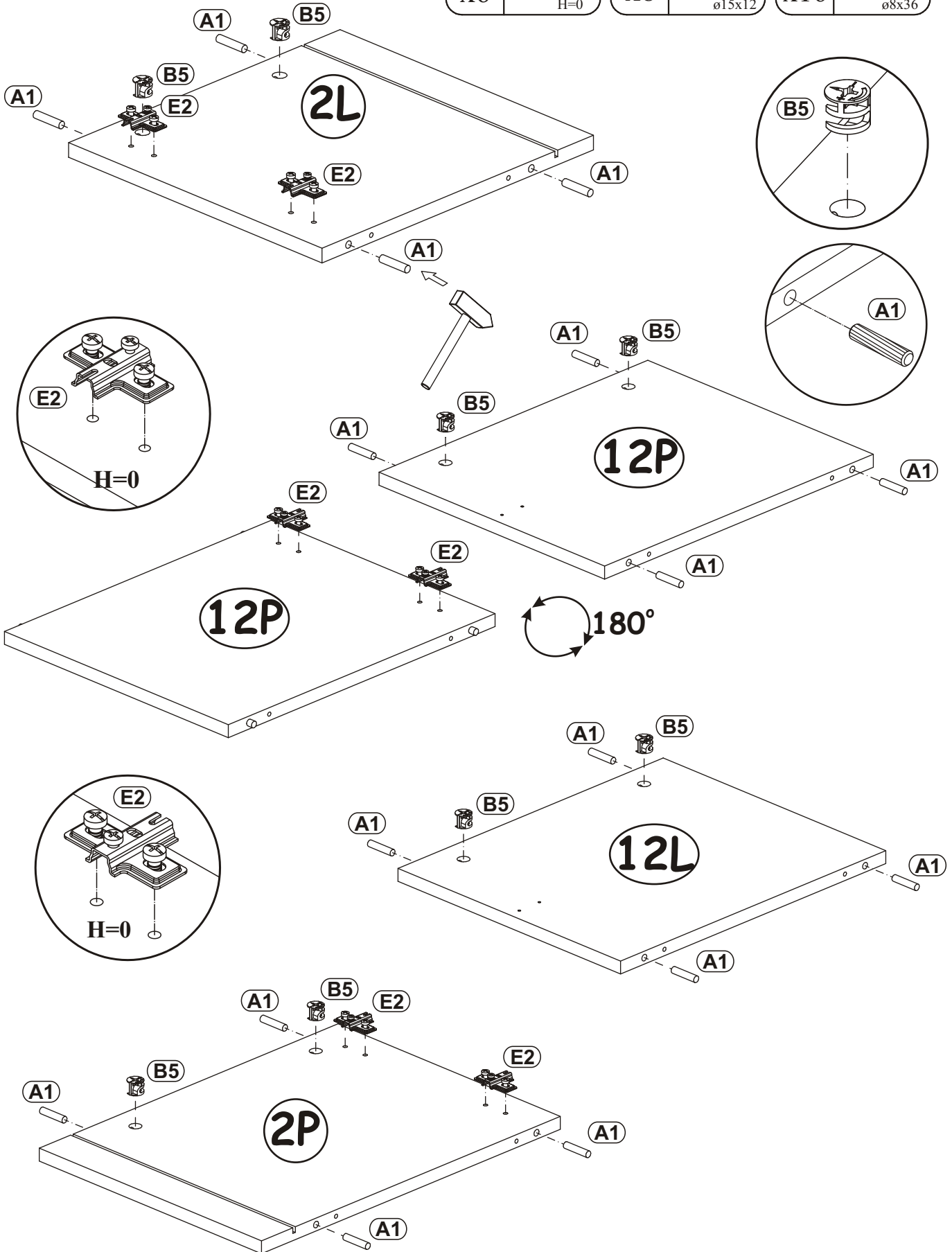
SONIC TYP-31

1

| | |
|----|-----|
| E2 | |
| x6 | H=0 |

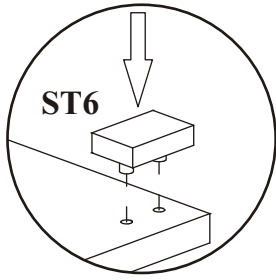
| | |
|----|--------|
| B5 | |
| x8 | ø15x12 |

| | |
|-----|-------|
| A1 | |
| x16 | ø8x36 |



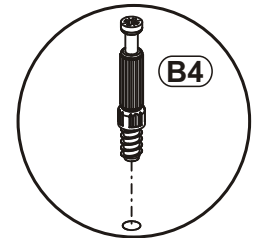
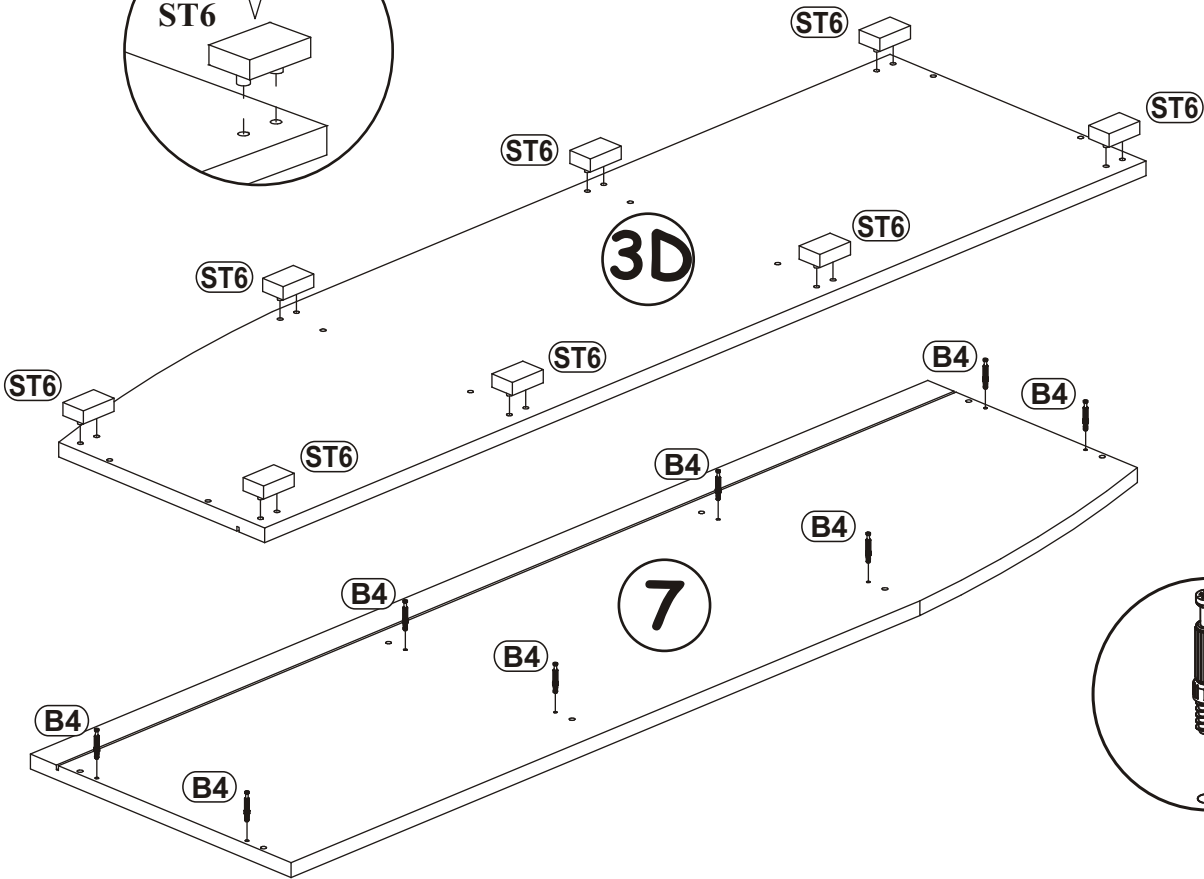
SONIC TYP-31

2

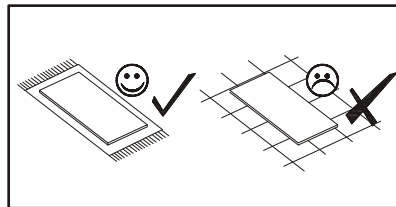
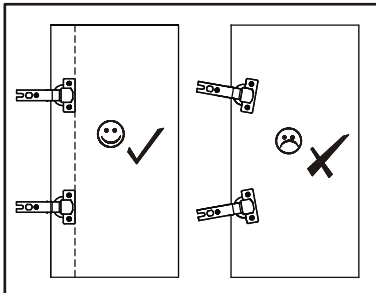


| | |
|-----|--|
| ST6 | |
| x8 | |

| | |
|----|--|
| B4 | |
| x8 | |

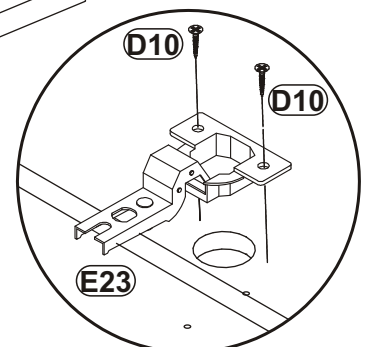
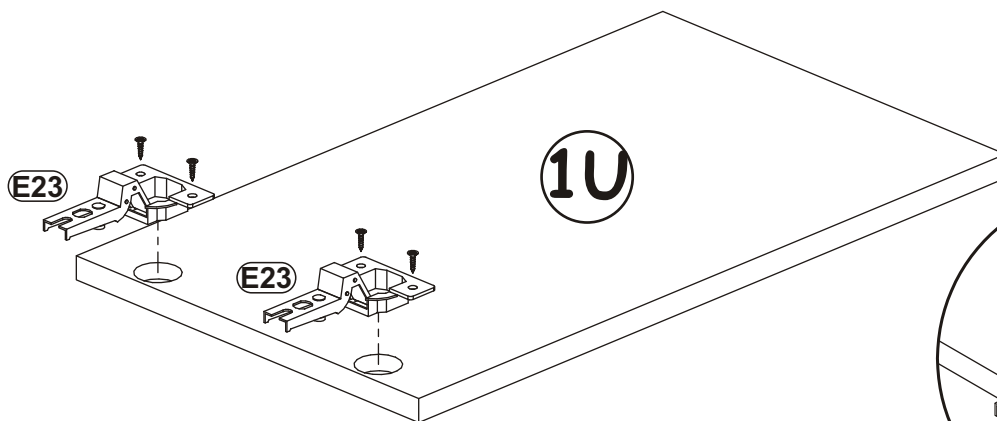


3



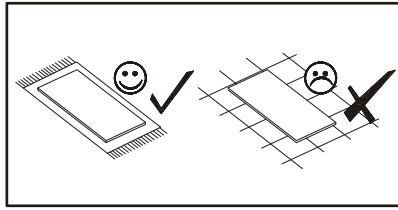
| | |
|-----|-----|
| E23 | Ø35 |
| x2 | |
| | H=8 |


| | |
|-----|-----------|
| D10 | |
| x4 | USØ3,5x13 |

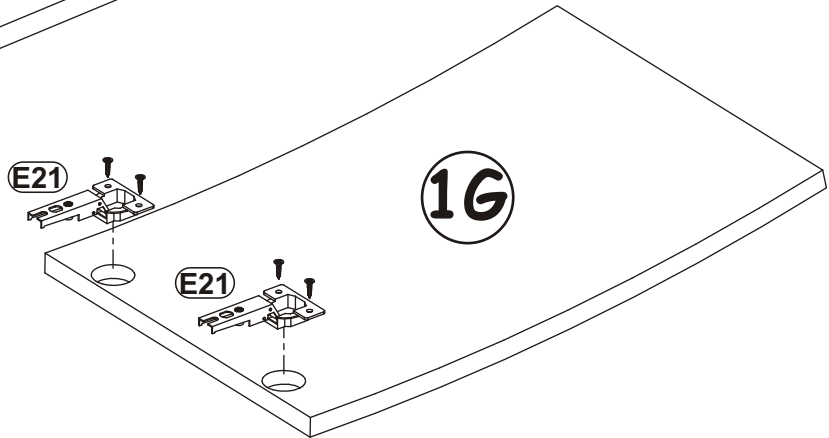
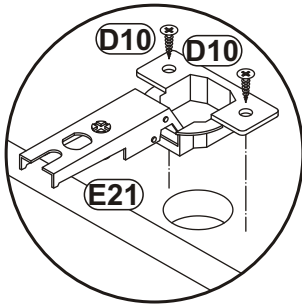
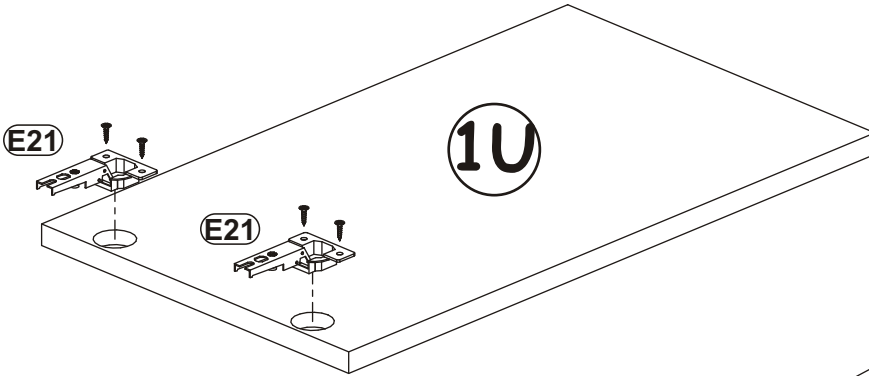
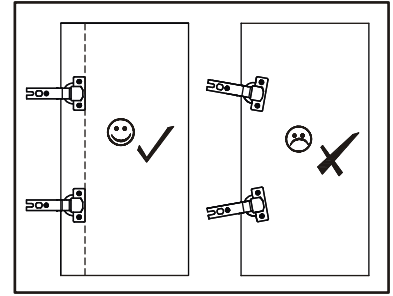


SONIC TYP-31

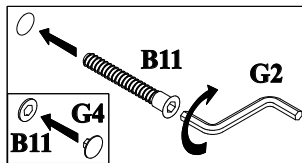
4

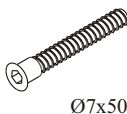



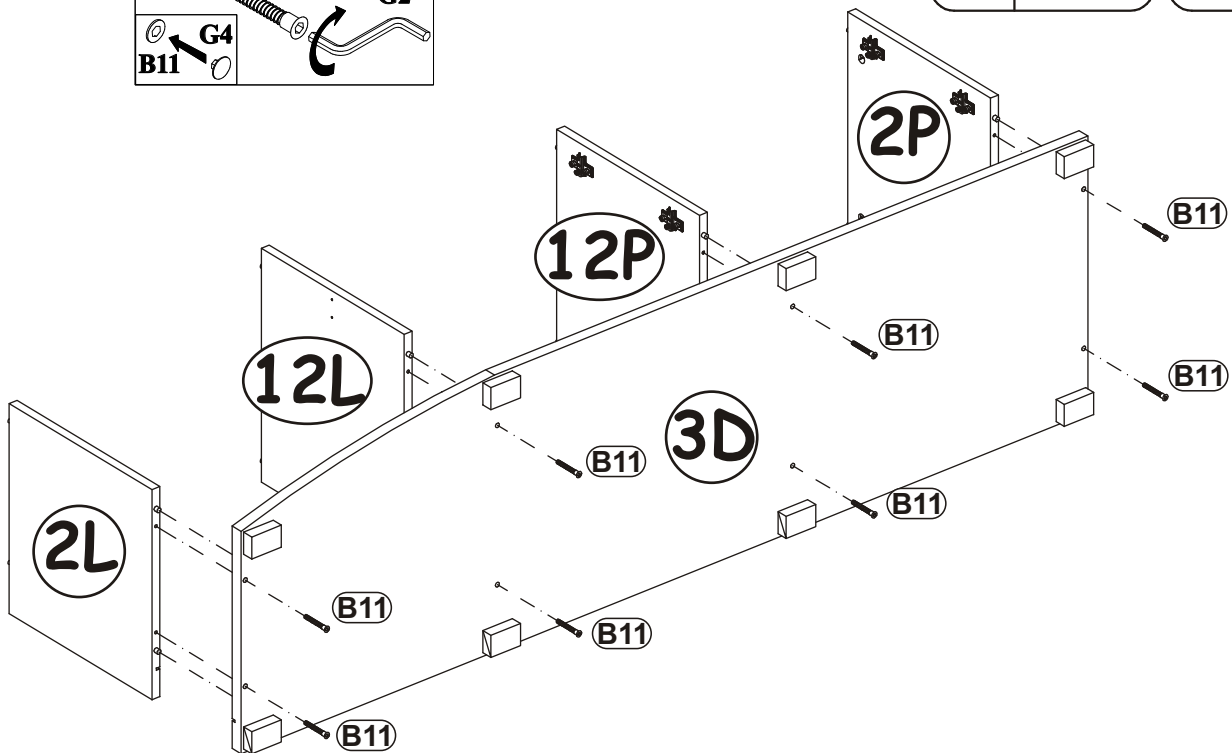
| | | | |
|-----|-----|-----|--|
| E21 | Ø35 | D10 |  USØ3,5x13 |
| x4 | H=0 | x8 | |



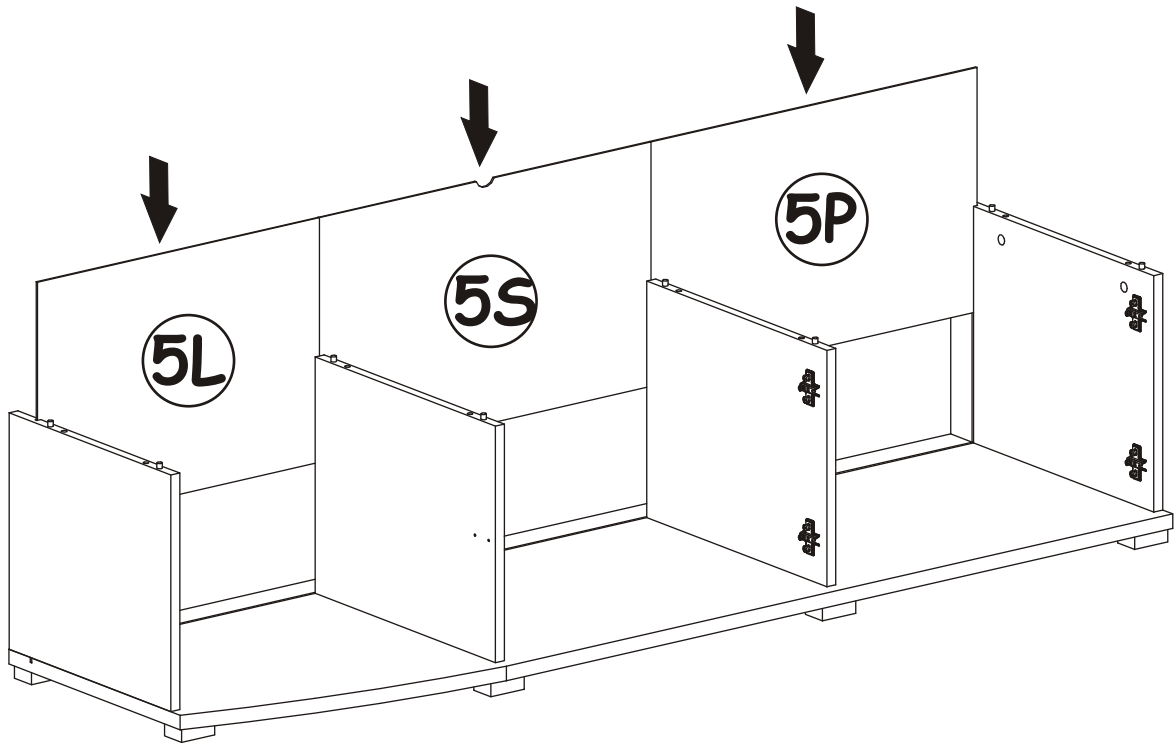
5



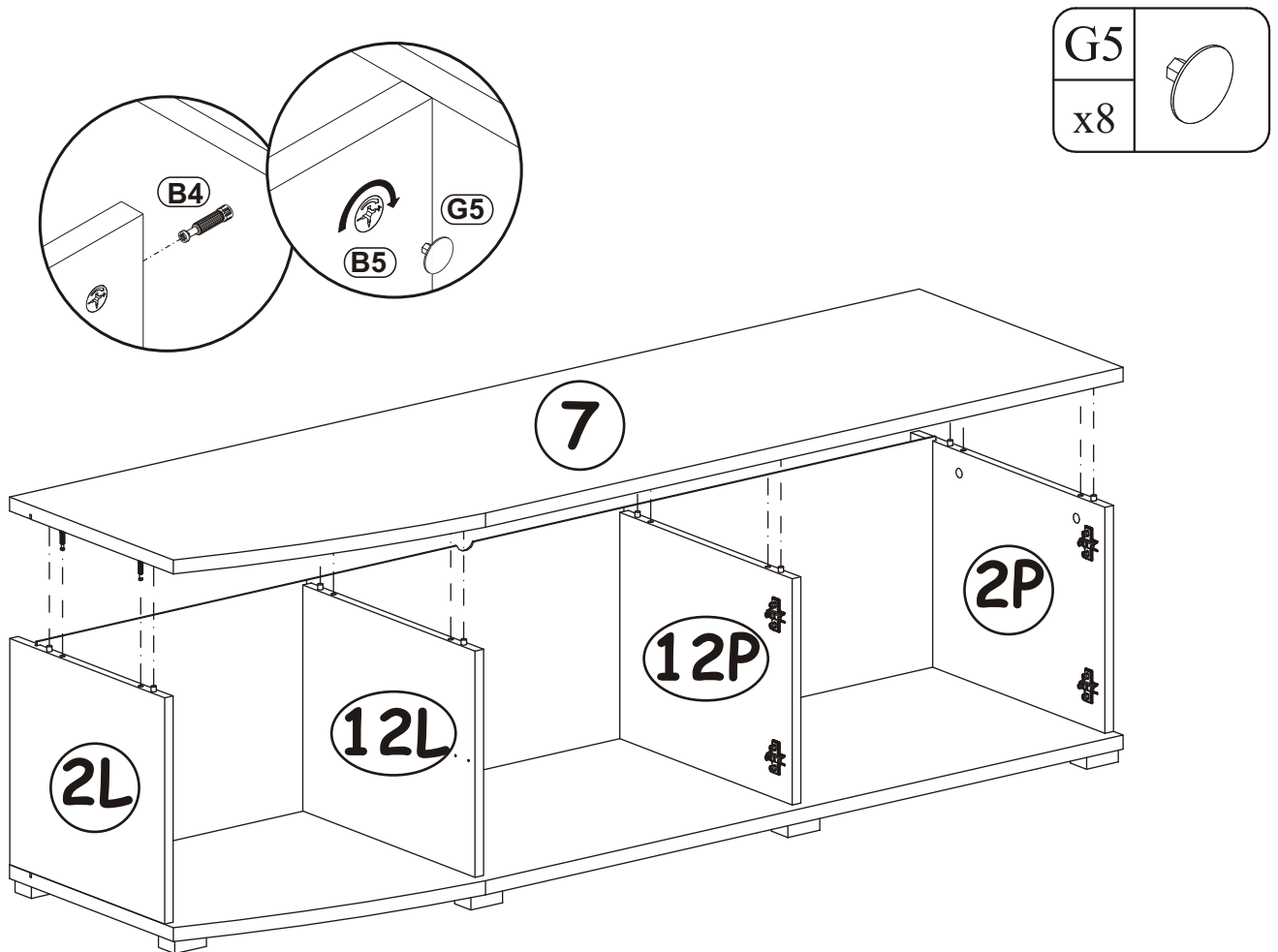
| | | | |
|-----|--|----|---|
| B11 |  Ø7x50 | G4 |  |
| x8 | | x8 | |



6

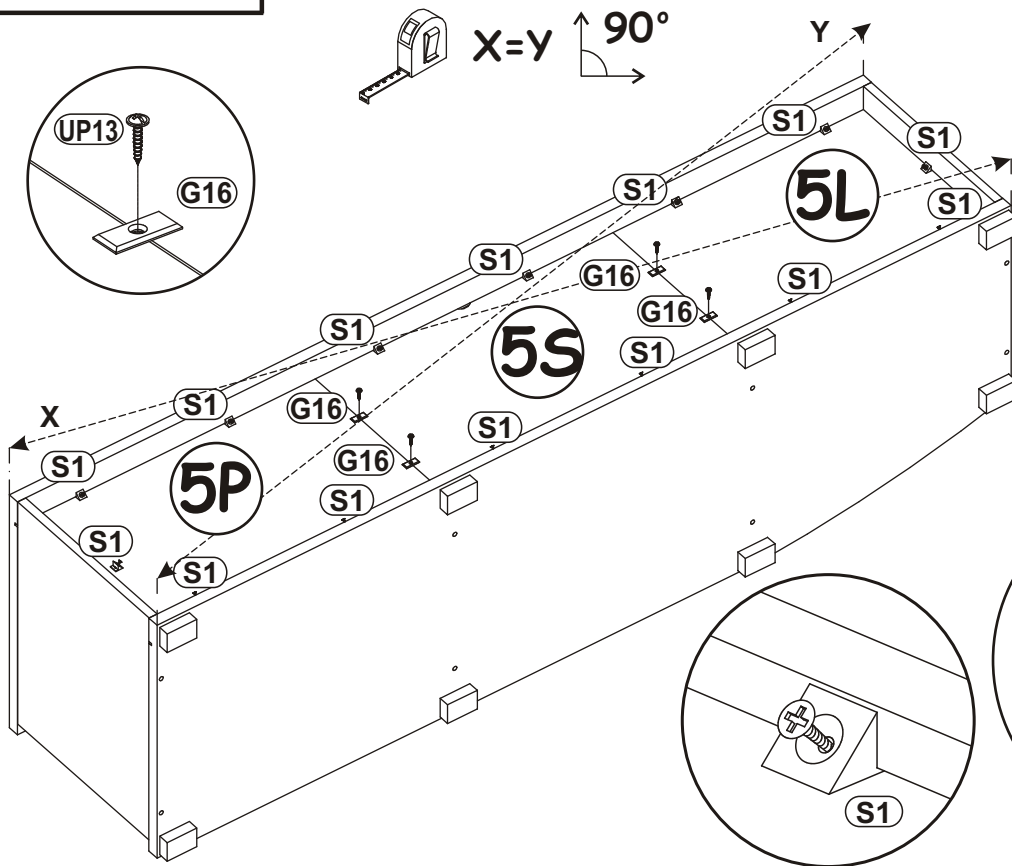


7



SONIC TYP-31

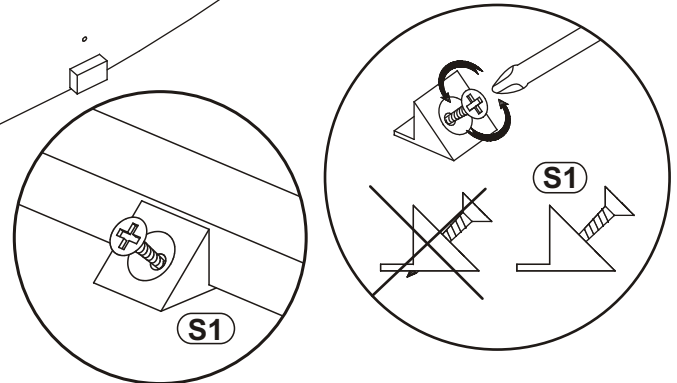
8



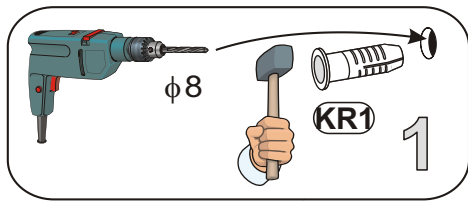
| | |
|------|---------|
| UP13 | |
| x4 | UPØ3x16 |

| | |
|-----|--|
| S1 | |
| x14 | |

| | |
|-----|--|
| G16 | |
| x4 | |



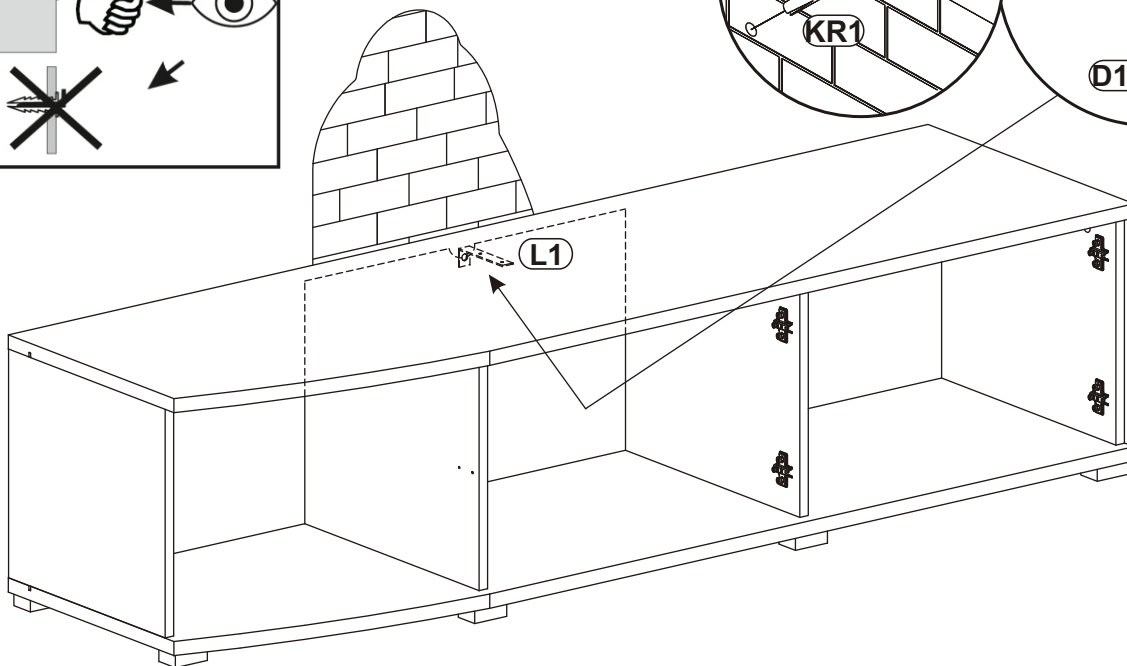
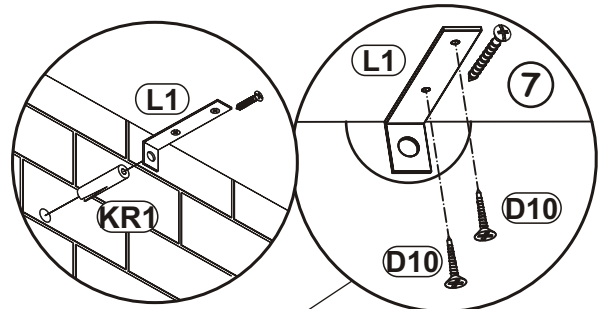
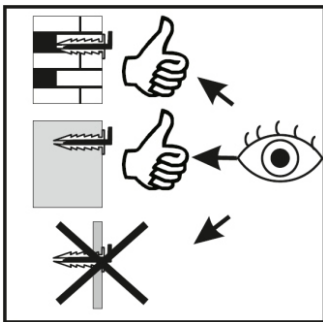
9






| | |
|-----|-----------|
| D10 | |
| x2 | USØ3,5x13 |

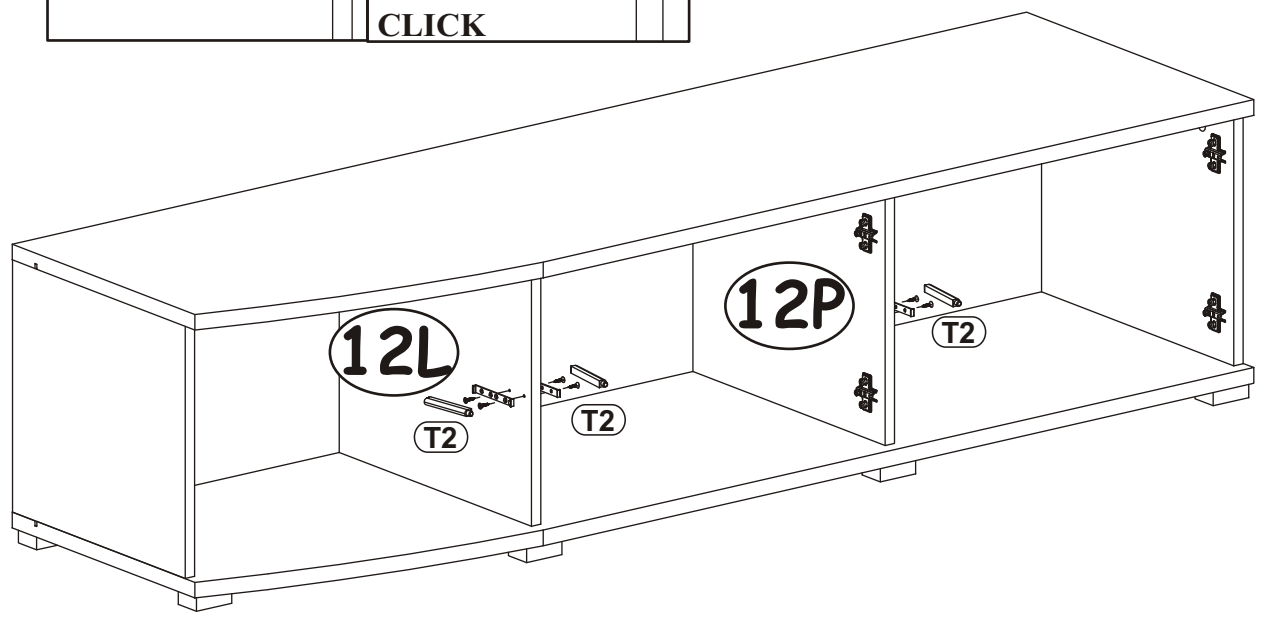
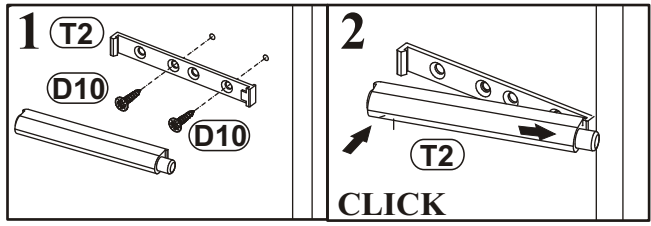
| | |
|----|--|
| L1 | |
| x1 | |

| | |
|-----|--|
| KR1 | |
| x1 | |

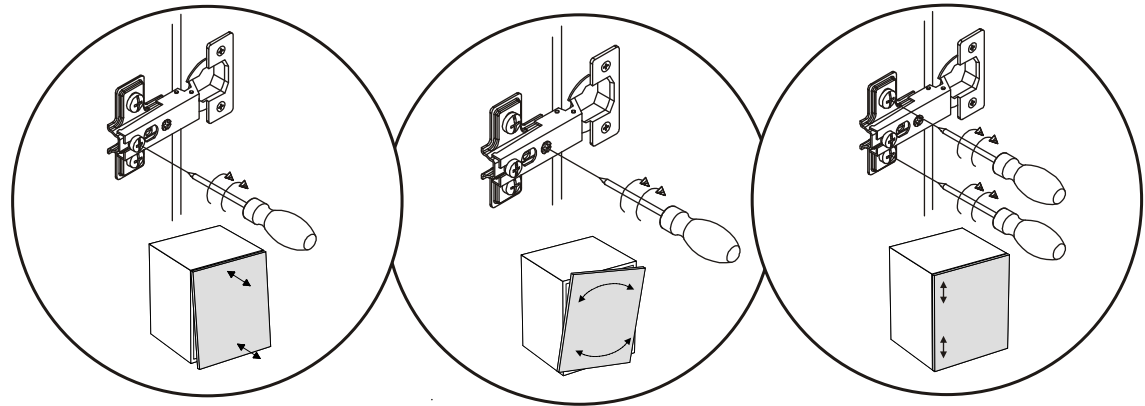
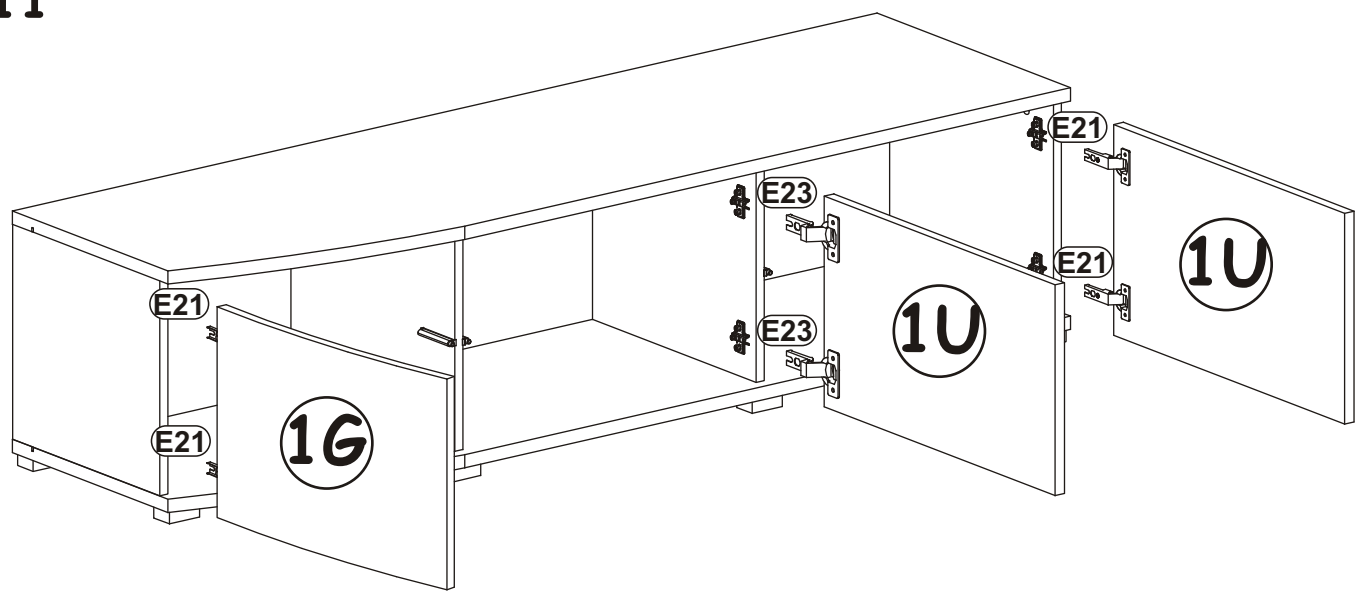


| | | | |
|-----|---|----|--|
| D10 |  | T2 |  |
| x6 | USØ3,5x13 | x3 | +  20x14 |

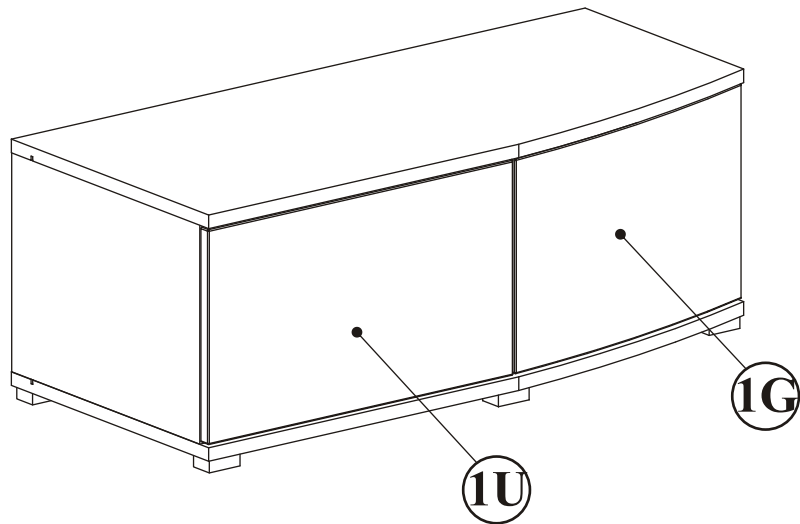
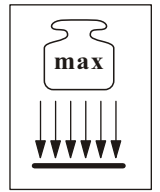
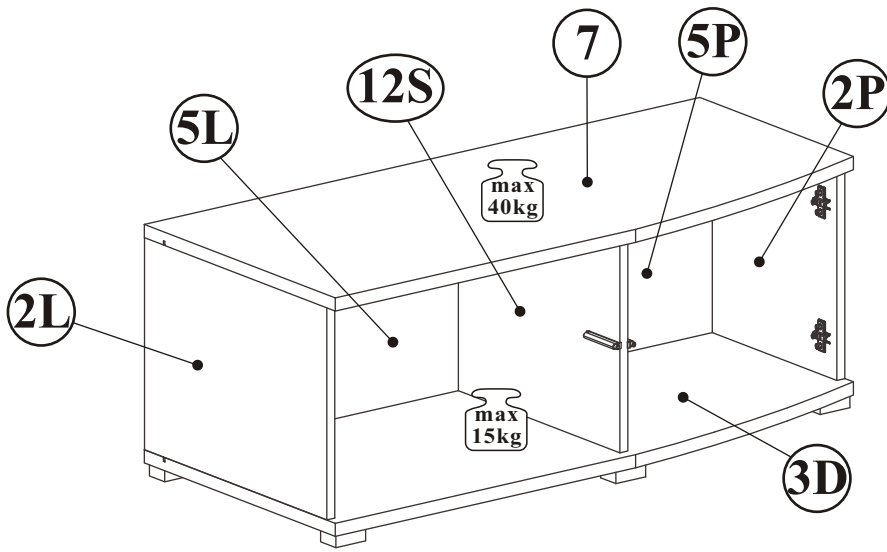
10



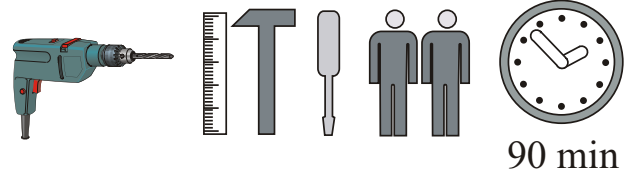
11



SONIC TYP-32

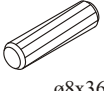
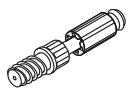


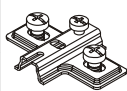
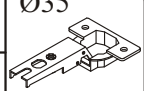
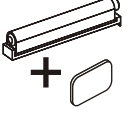
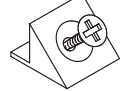

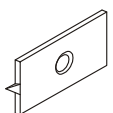



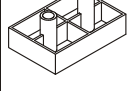
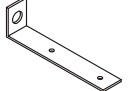
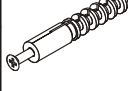



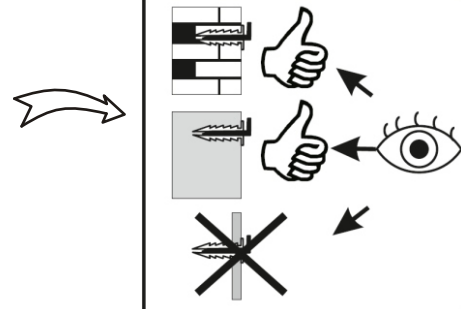
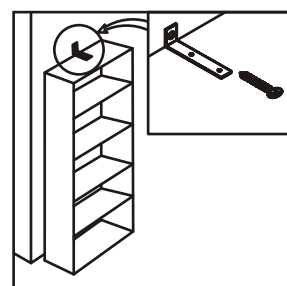
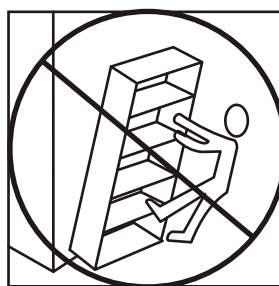
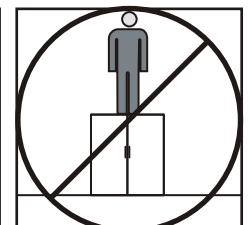
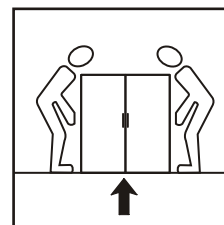
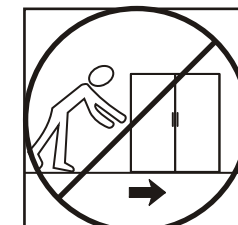
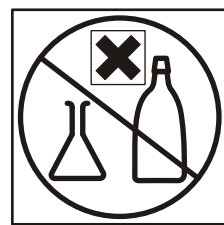
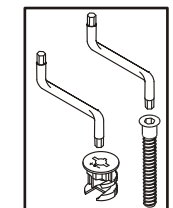
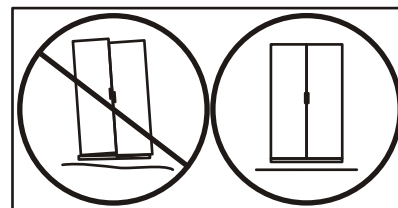
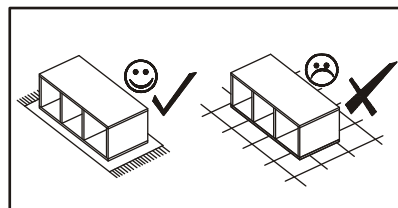
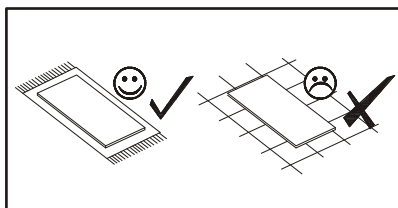
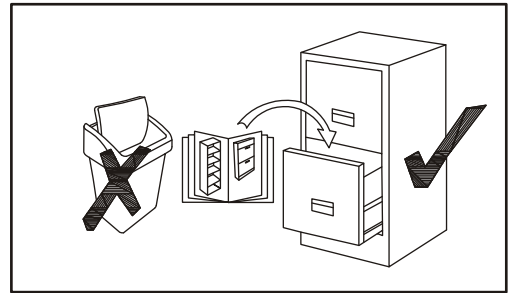
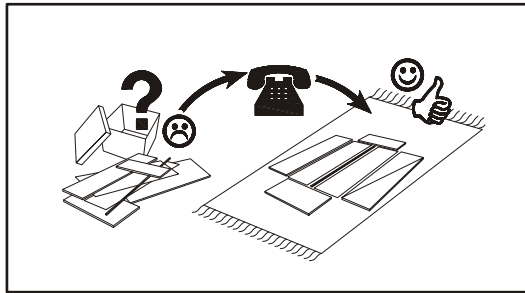
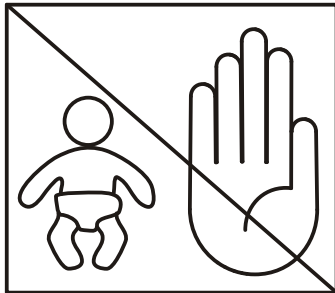
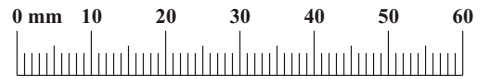
| NO | Dim. | | Col.-No | Qty |
|-----|------|-----|---------|-----|
| 1G | 523 | 348 | 1 | 1 |
| 1U | 596 | 348 | 1 | 1 |
| 2L | 355 | 477 | 1 | 1 |
| 2P | 355 | 380 | 1 | 1 |
| 12S | 355 | 423 | 1 | 1 |
| 3D | 1121 | 500 | 1 | 1 |
| 5L | 367 | 590 | 1 | 1 |
| 5P | 367 | 510 | 1 | 1 |
| 7 | 1121 | 500 | 1 | 1 |



90 min

SONIC TYP-32

| | | | | | |
|--|--|--|---|---|--|
| A1 x12  ø8x36 | B4 x6  | B5 x6  ø15x12 | G5 x6  | E2 x4  H=0 | E21 x4  Ø35 H=0 |
| T2 x2  20x14 | S1 x10  | UP13 x2  UPØ3x16 | G16 x2  | B11 x6  Ø7x50 | G4 x6  |
| D10 x14  USØ3,5x13 | ST6 x6  | L1 x1  | KR1 x1  | G2 x1  | |

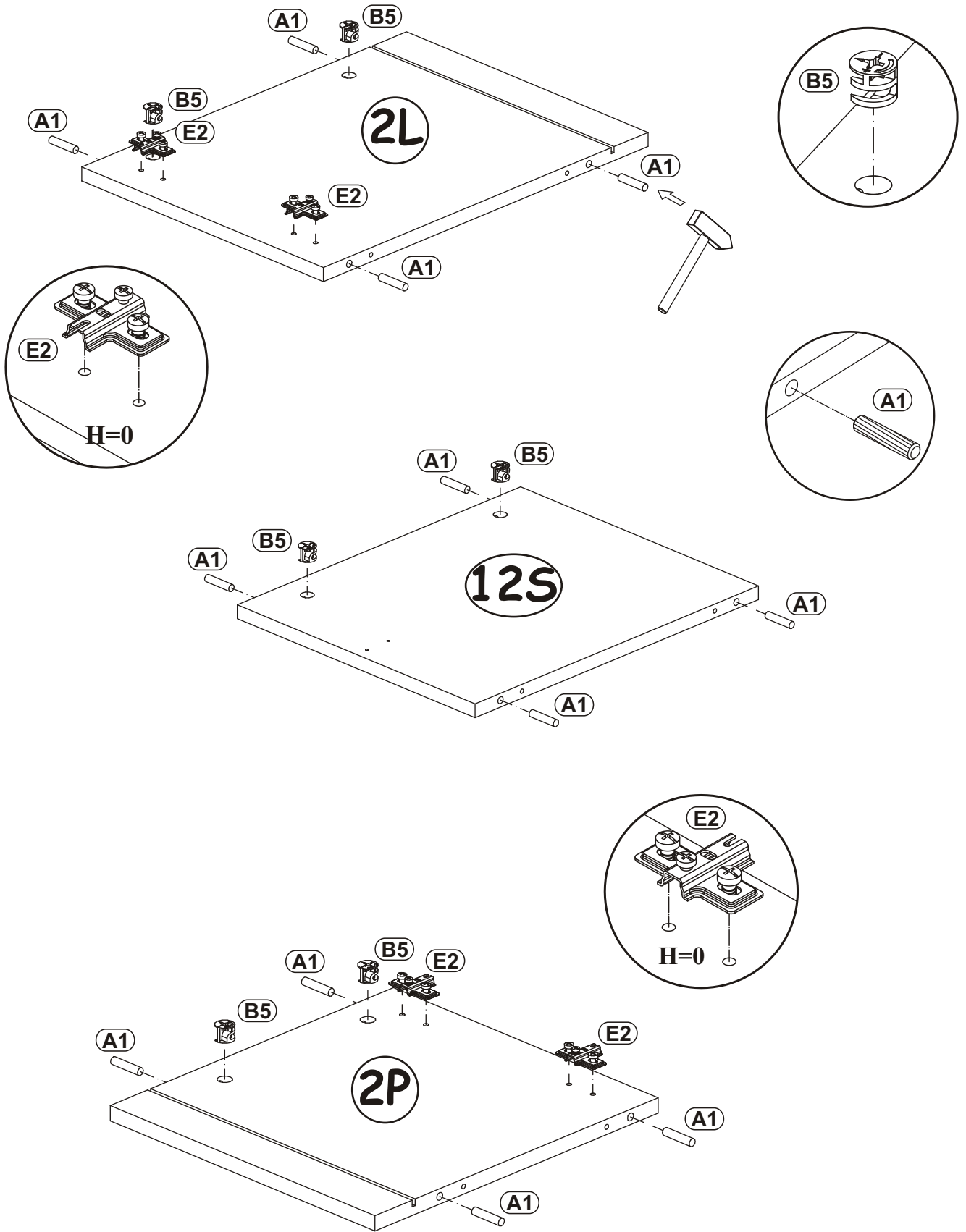


1

| | |
|----|-----|
| E2 | |
| x4 | H=0 |

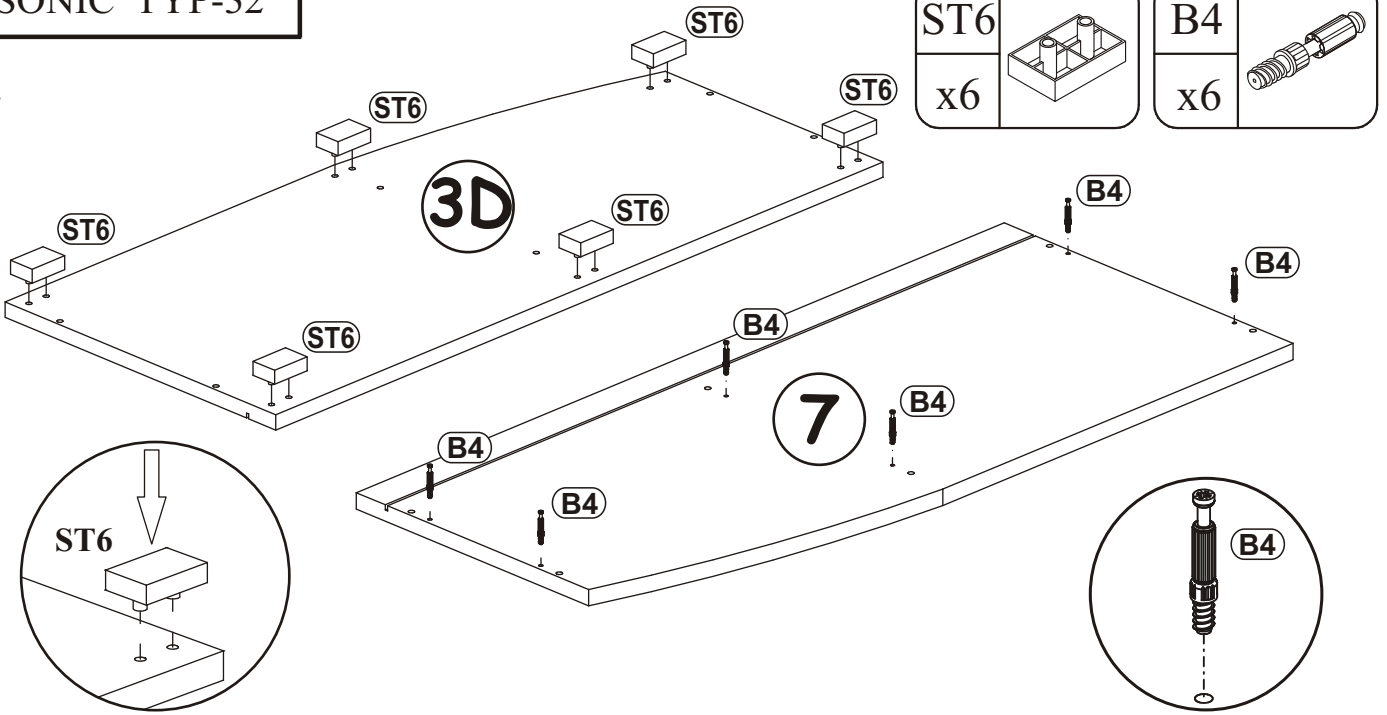
| | |
|----|--------|
| B5 | |
| x6 | ø15x12 |

| | |
|-----|-------|
| A1 | |
| x12 | ø8x36 |

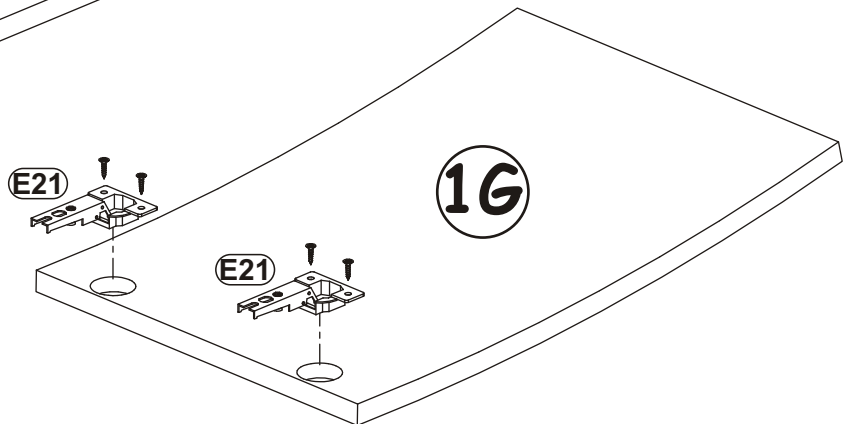
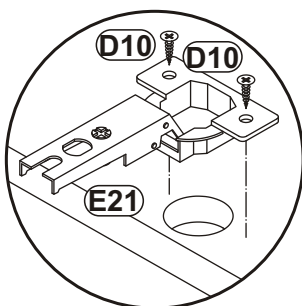
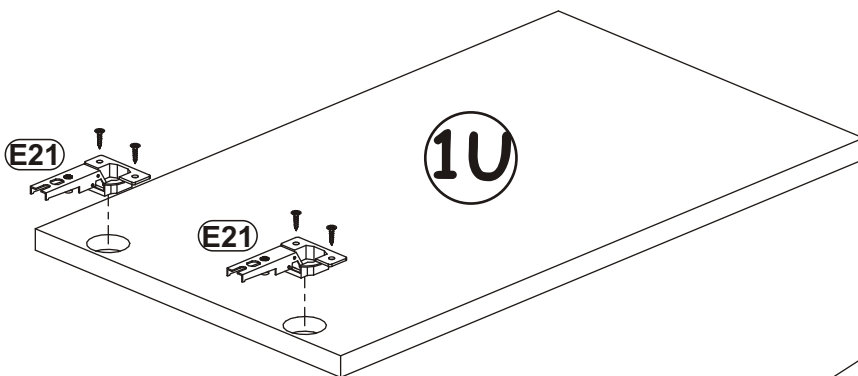
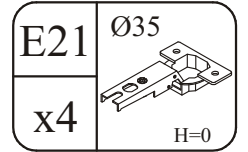
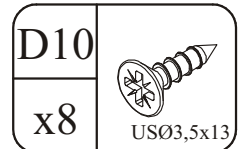
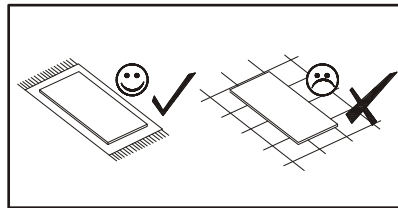
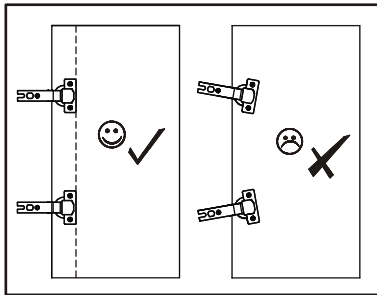


SONIC TYP-32

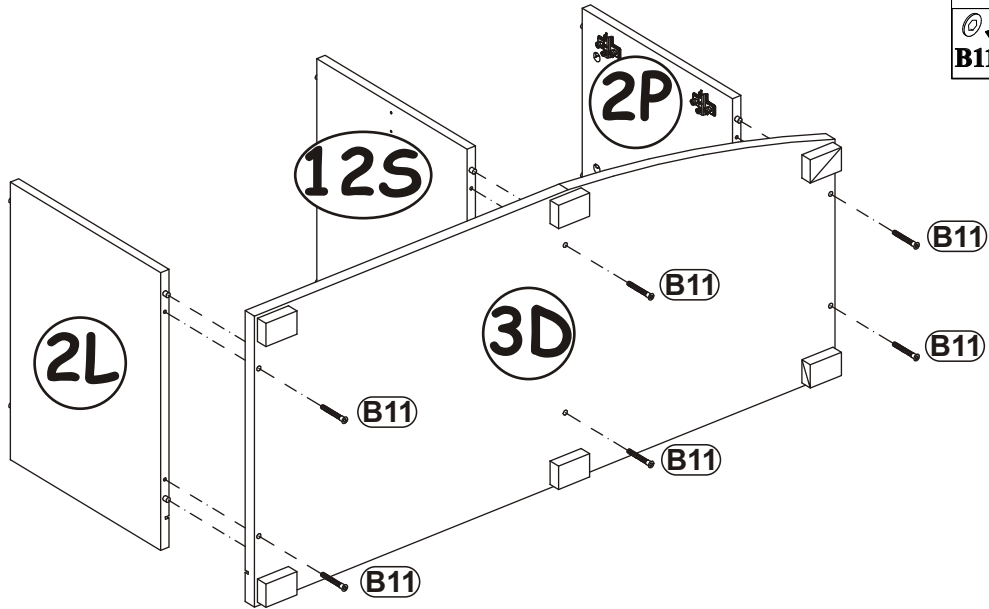
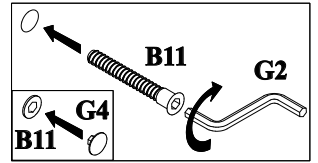
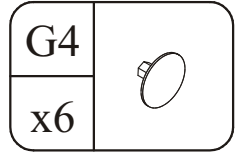
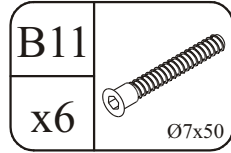
2



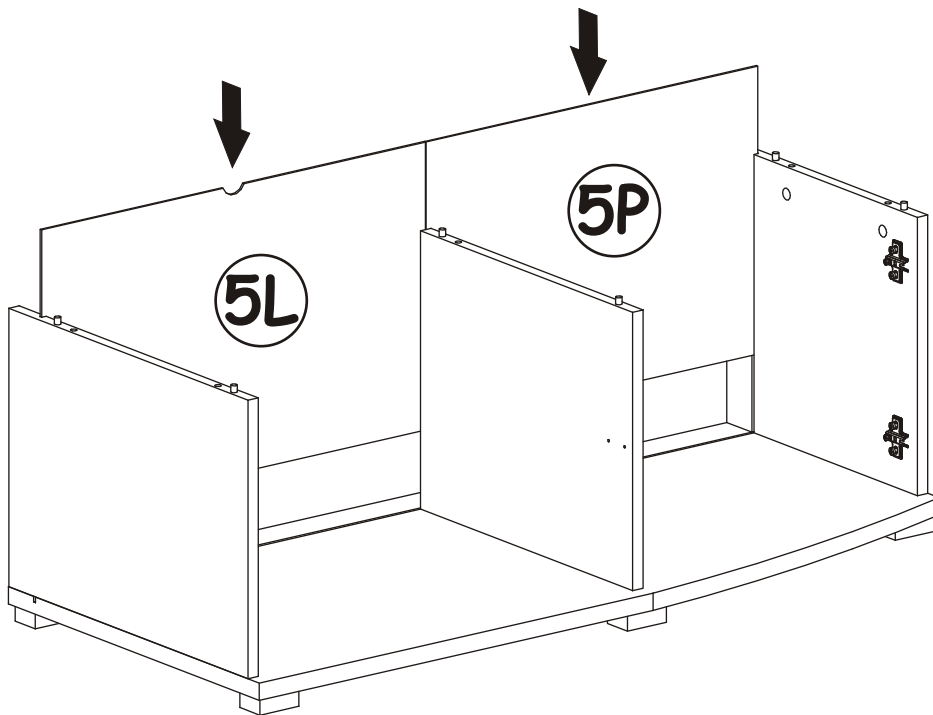
3



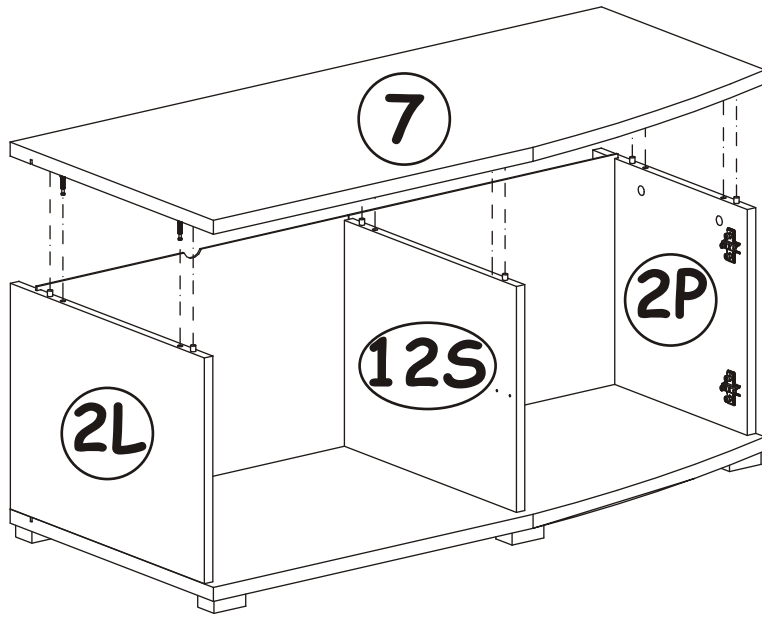
4



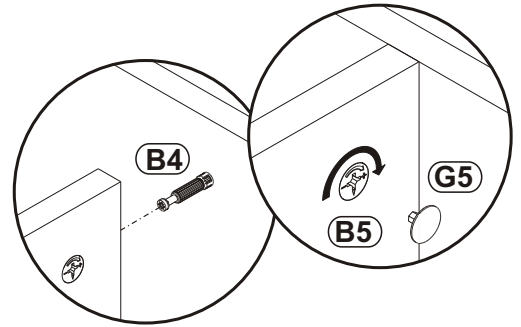
5



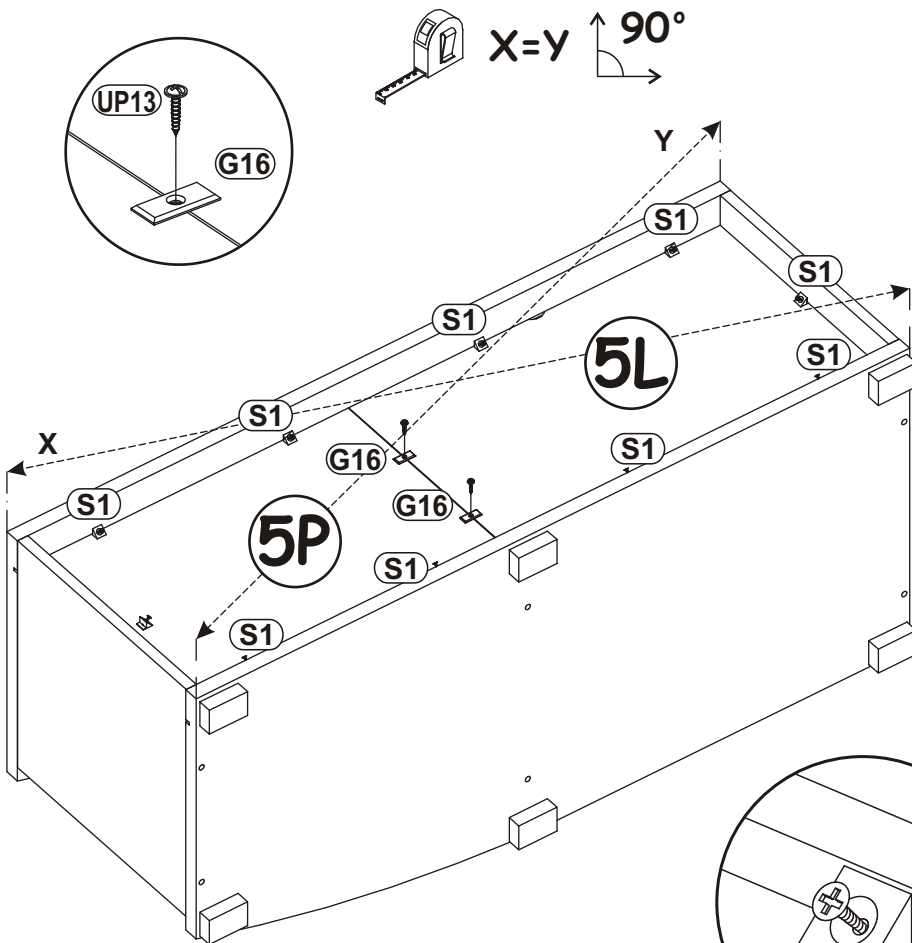
6



| | |
|----|--|
| G5 | |
| x6 | |



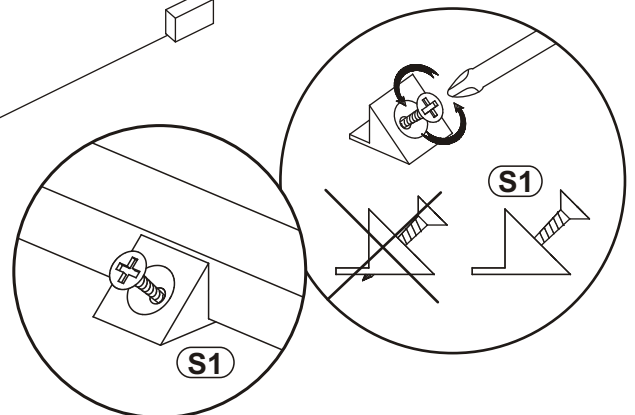
7



| | |
|------|---------|
| UP13 | |
| x2 | UPØ3x16 |

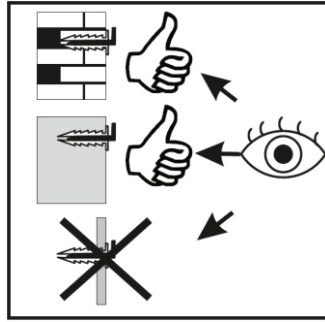
| | |
|-----|--|
| S1 | |
| x10 | |

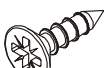
| | |
|-----|--|
| G16 | |
| x2 | |

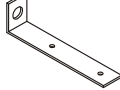


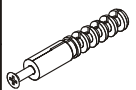
SONIC TYP-32

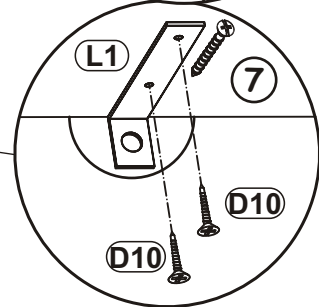
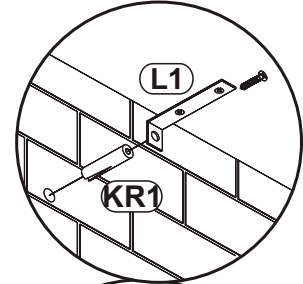
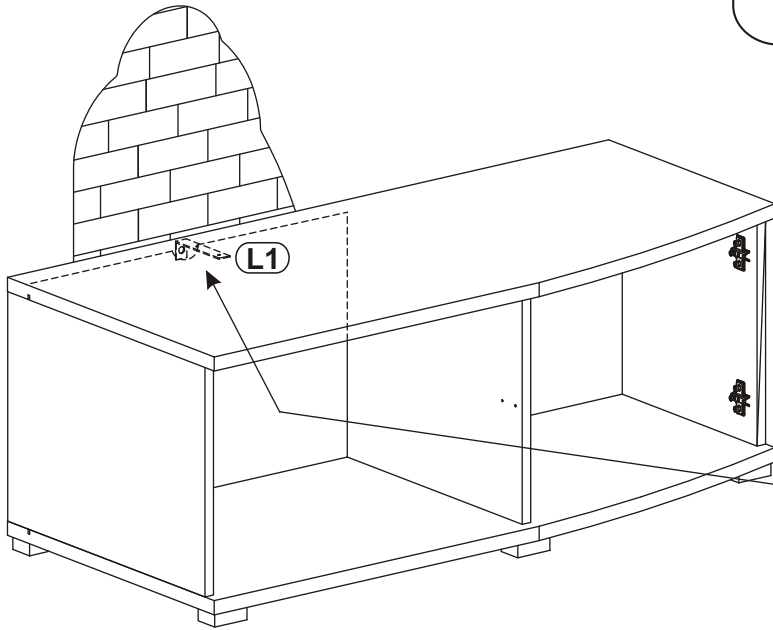
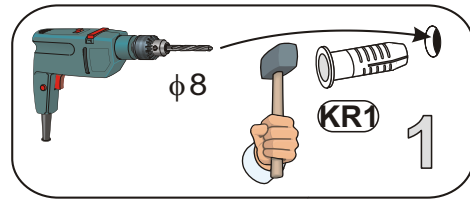
8



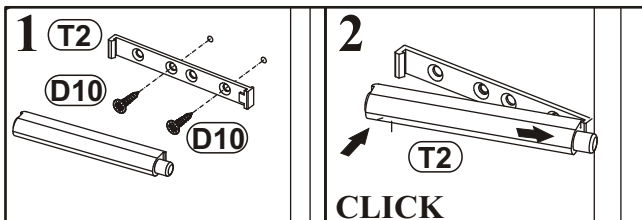
| | |
|-----|--|
| D10 |  |
| x2 | USØ3,5x13 |

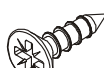
| | |
|----|---|
| L1 |  |
| x1 | |


| | |
|-----|---|
| KR1 |  |
| x1 | |

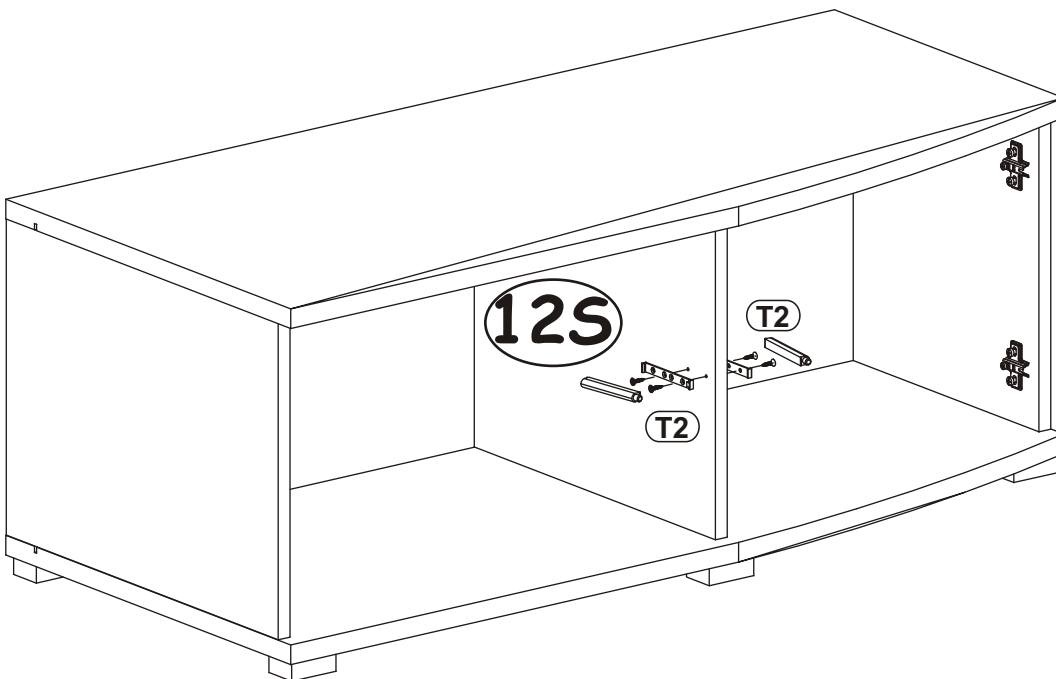


9

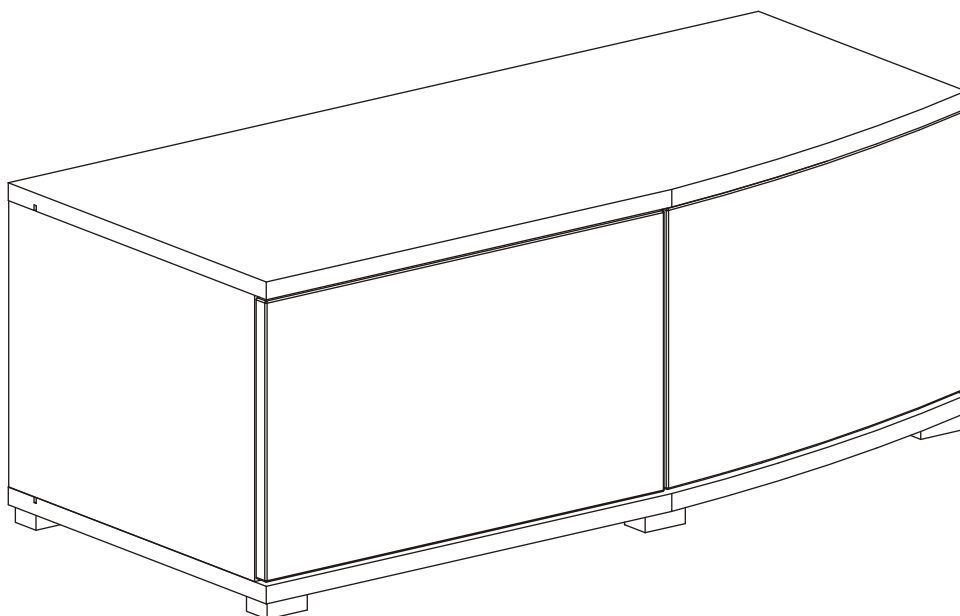
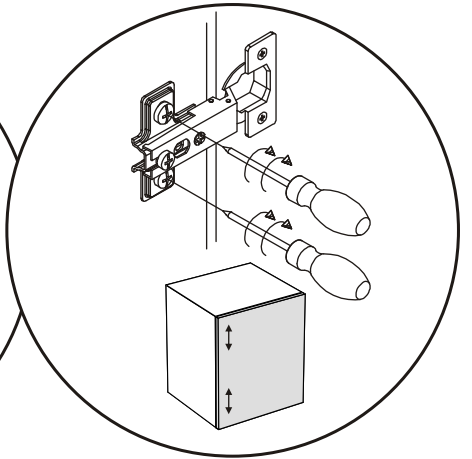
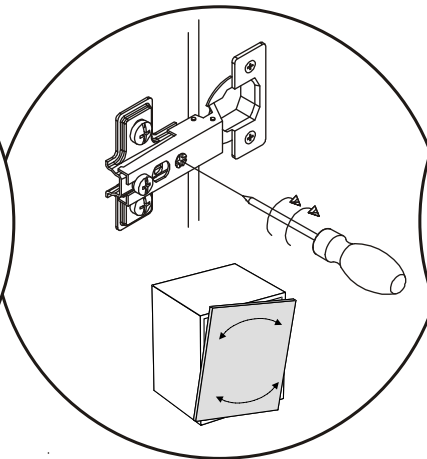
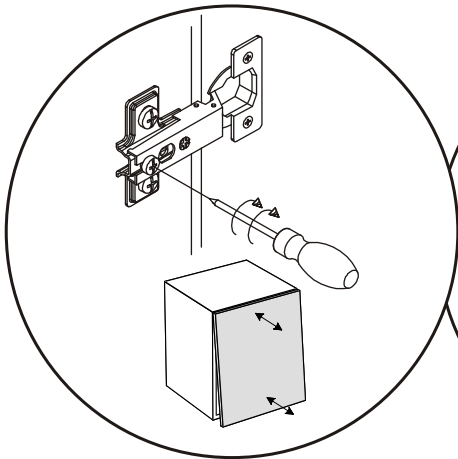
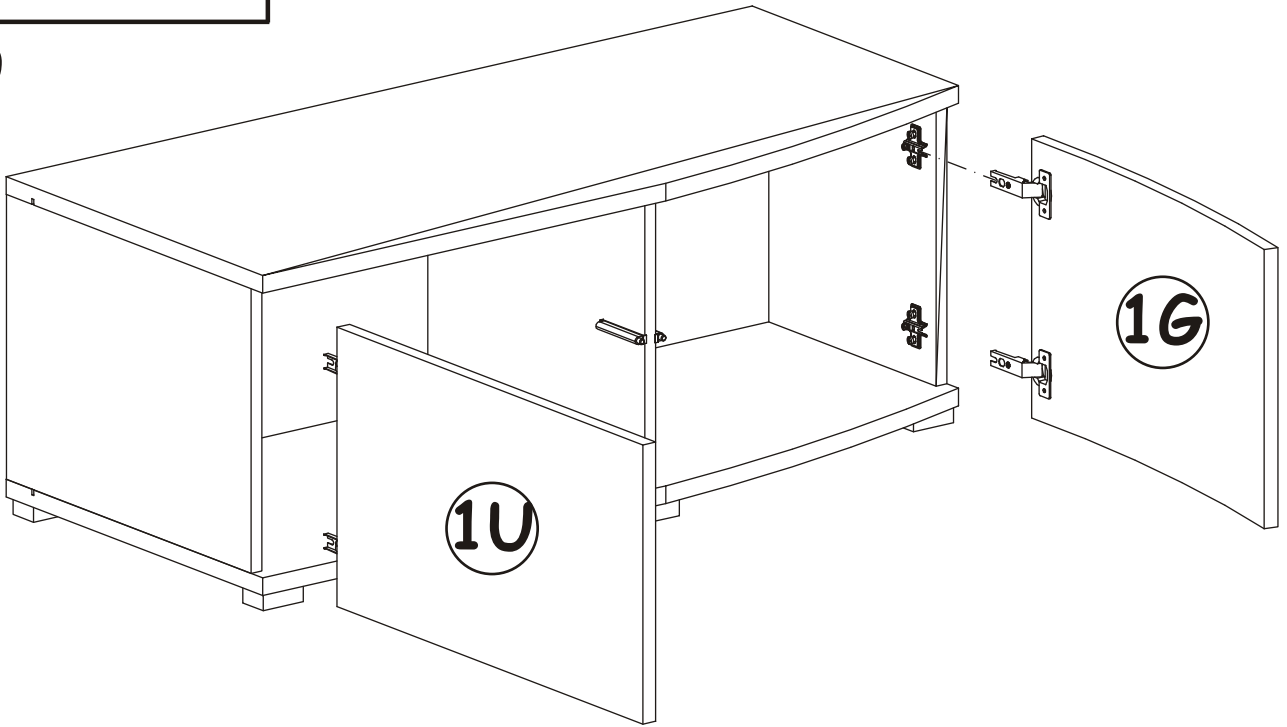


| | |
|-----|---|
| D10 |  |
| x4 | USØ3,5x13 |

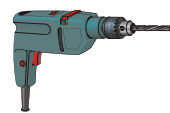
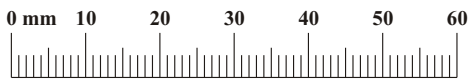
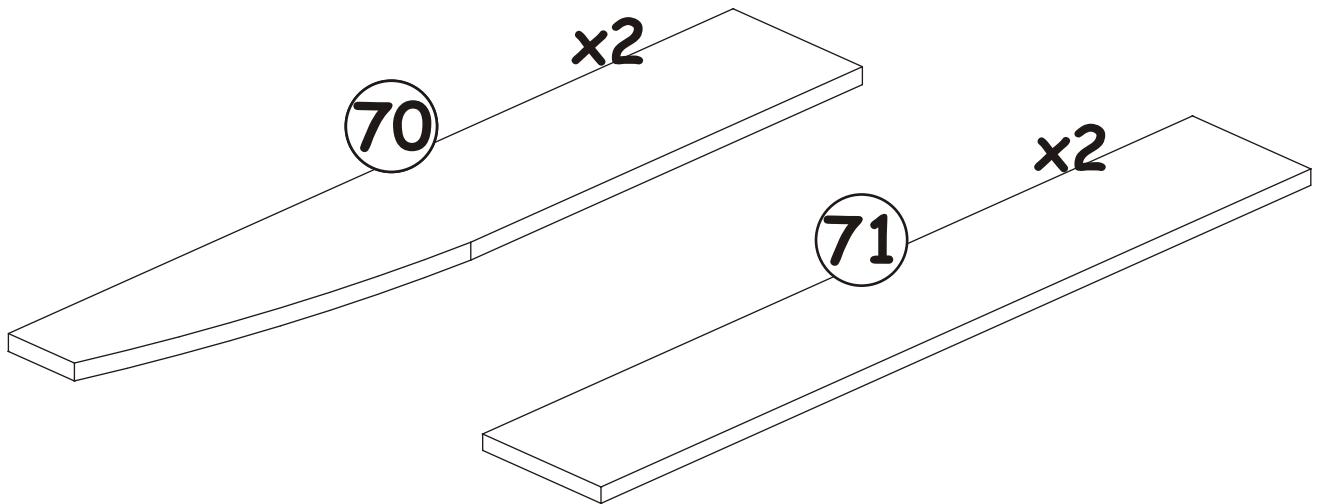
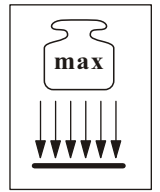
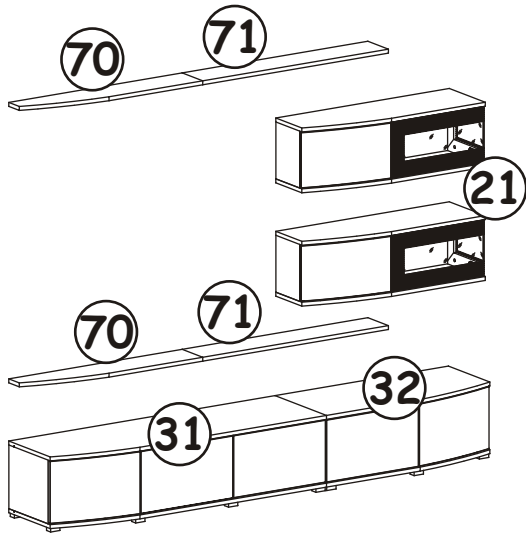
| | |
|----|---|
| T2 |  |
| x2 | + 20x14 |



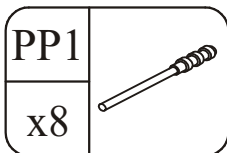
10

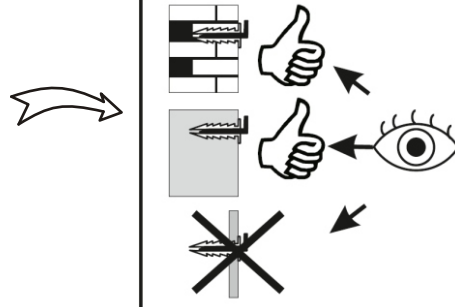
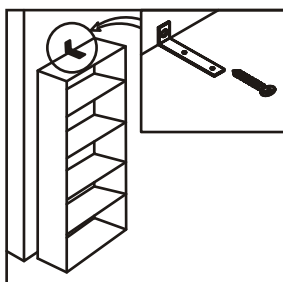
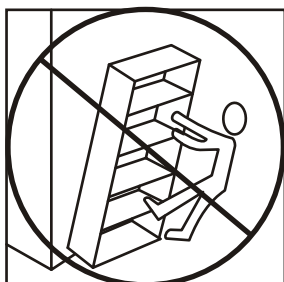
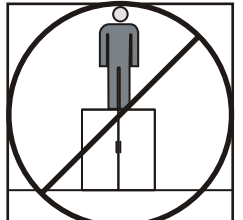
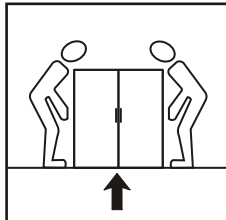
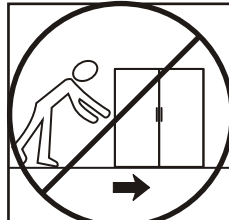
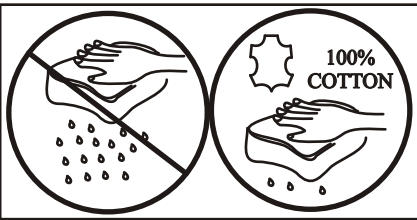
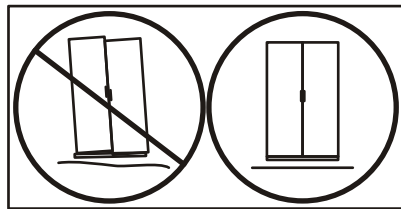
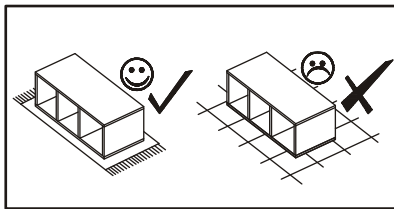
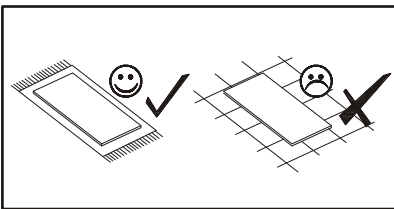
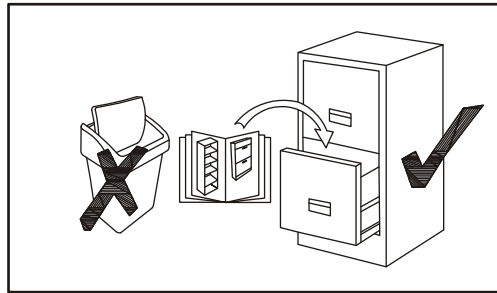
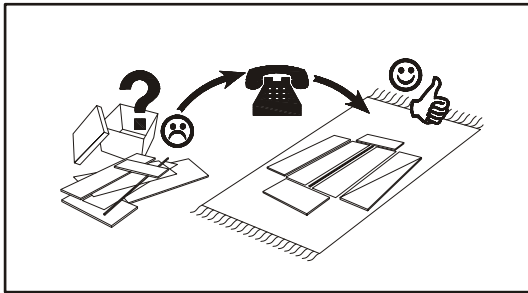
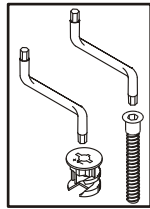
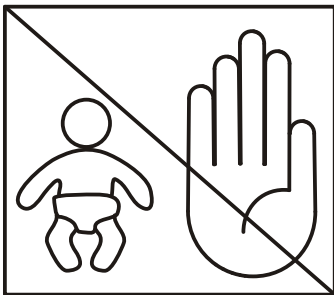


SONIC TYP-70 / 71



60 min





SONIC TYP-70/71

1

