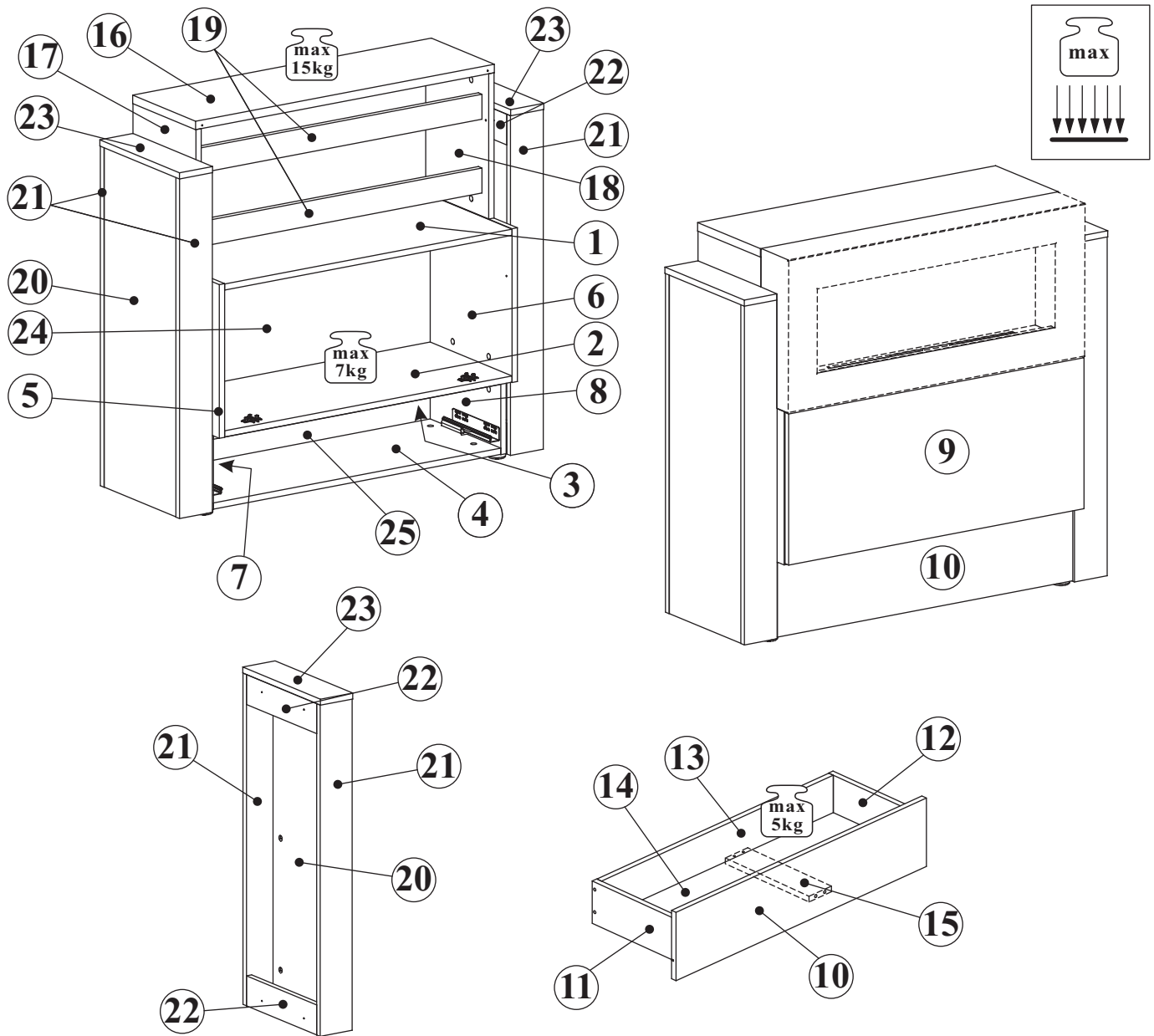
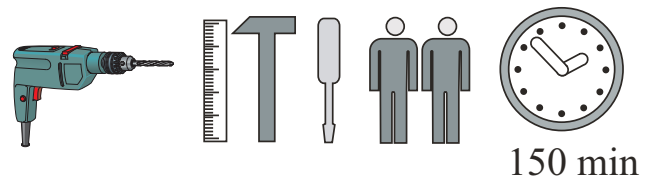


QUEENS 20_QN TYP-01



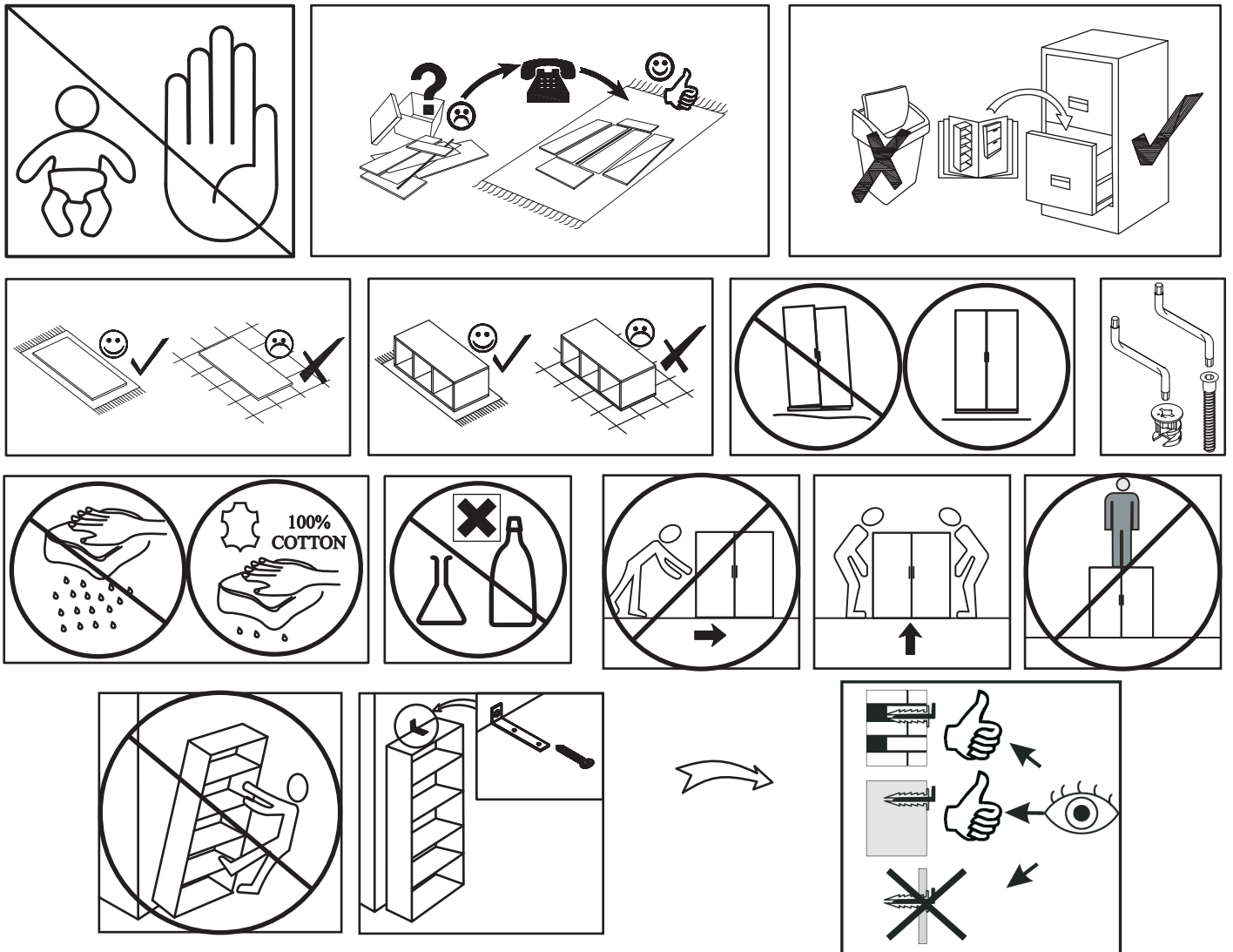
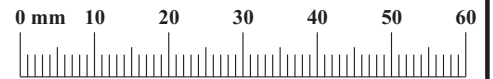
NO	Dim.		Col-No	Qty
7	200	334	16	1
8	200	334	16	1
4	867	334	16	1
3	867	334	16	1
25	879	178	3	1
10	893	194	16	1
11	300	120	16	1
12	300	120	16	1
13	827	106	16	1
14	304	839	3	1
15	299	80	16	1
20	884	320	16	1
21	884	99	16	1
22	320	80	16	1
23	354	100	16	1

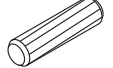
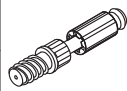
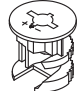


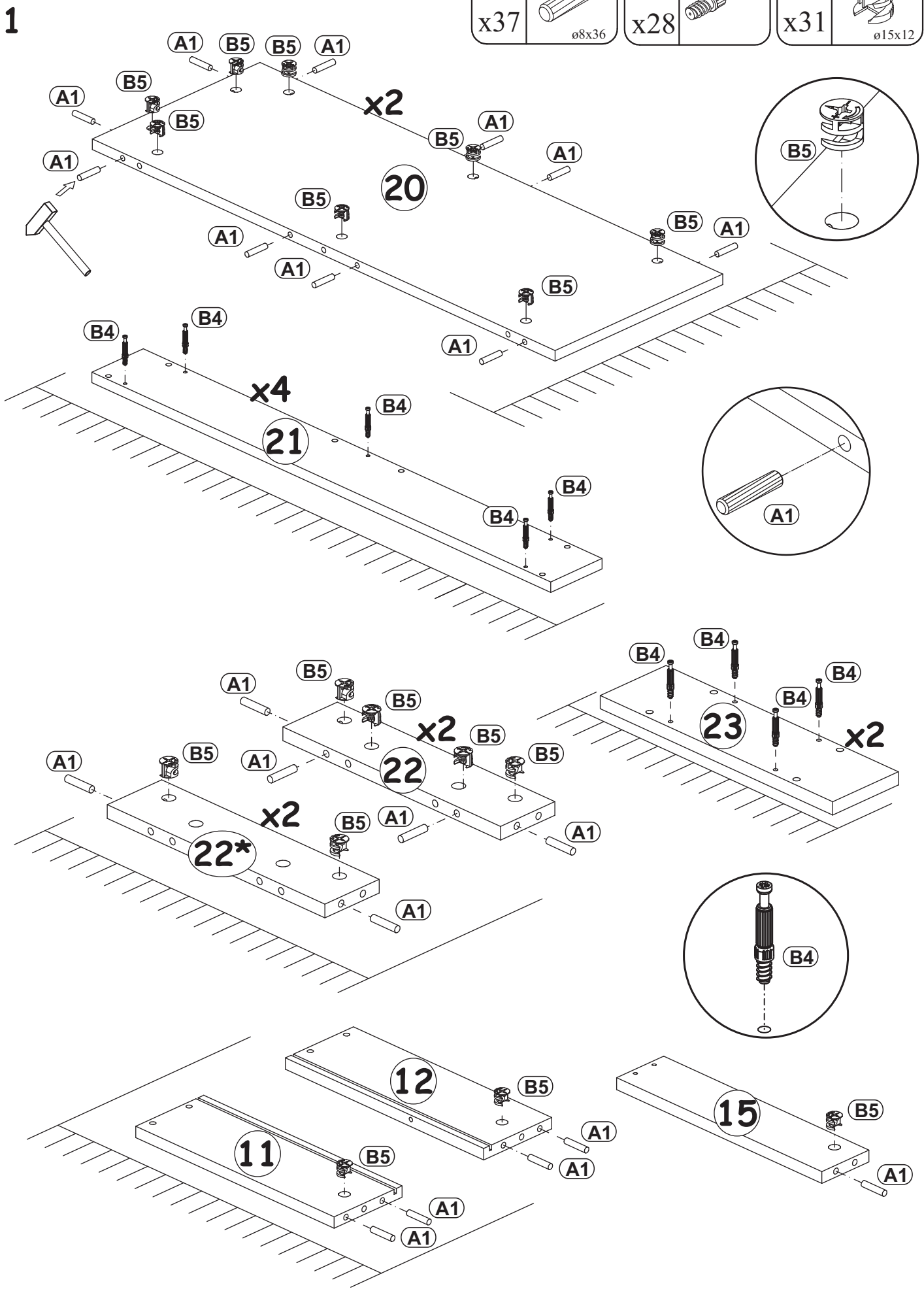
NO	Dim.		Col-No	Qty
9	893	394	16	2
5	400	384	16	2
6	400	384	16	2
2	867	384	16	2
1	867	384	16	2
24	879	378	3	2
17	378	280	16	2
18	378	280	16	2
19	867	65	16	2
16	901	280	22	2

QUEENS 20_QN TYP-01

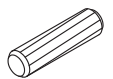
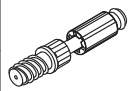
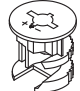
A1 x65 ø8x36	B4 x59	B6 x4 Ø7x76	B5 x67 ø15x12	G5 x67	QU x1 L-300mm
E21 x2 Ø35 H=0	E2 x2 H=0	D10 x22 USØ3,5x13	B11 x4 Ø7x50	G4 x4	UP6 x12 UPØ4x30
S1 x16	BO1 x2	UP13 x8 UPØ3x16	I11 x4 Ø45, h=15	UP11 x4 UPØ4x20	L1 x1
D20 x4 ESØ6,3x9,5	KR1 x1	T2 x1 20x14	G2 x1		

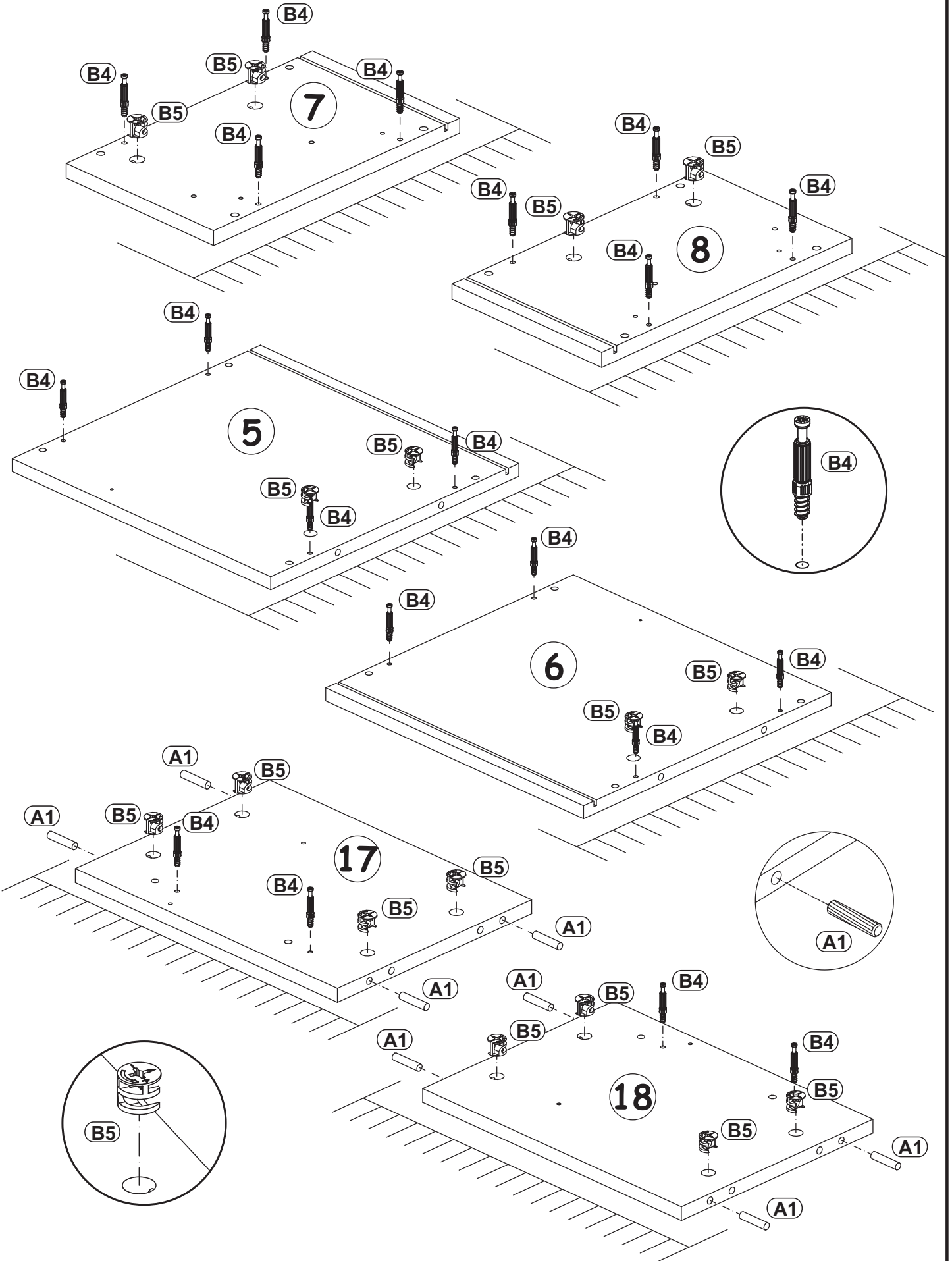


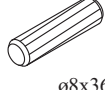
A1		B4		B5	
x37	ø8x36	x28		x31	ø15x12

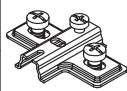



2

A1		B4		B5	
x8	ø8x36	x20		x16	ø15x12

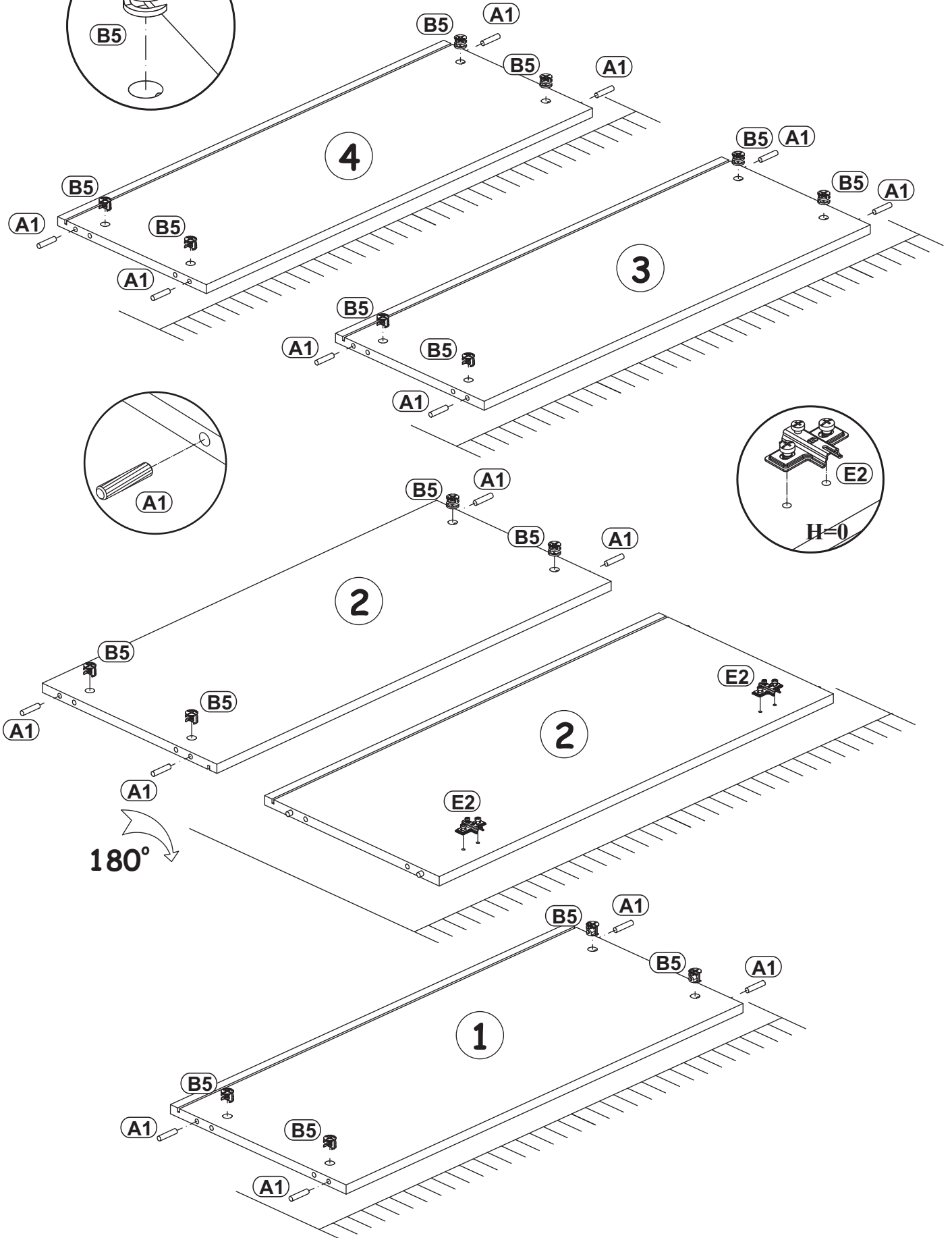
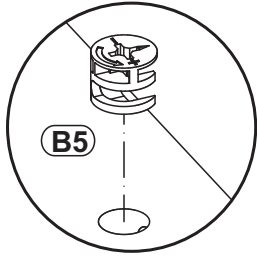


A1	
x16	ø8x36

E2	
x2	H=0

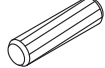
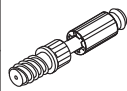

B5	
x16	ø15x12

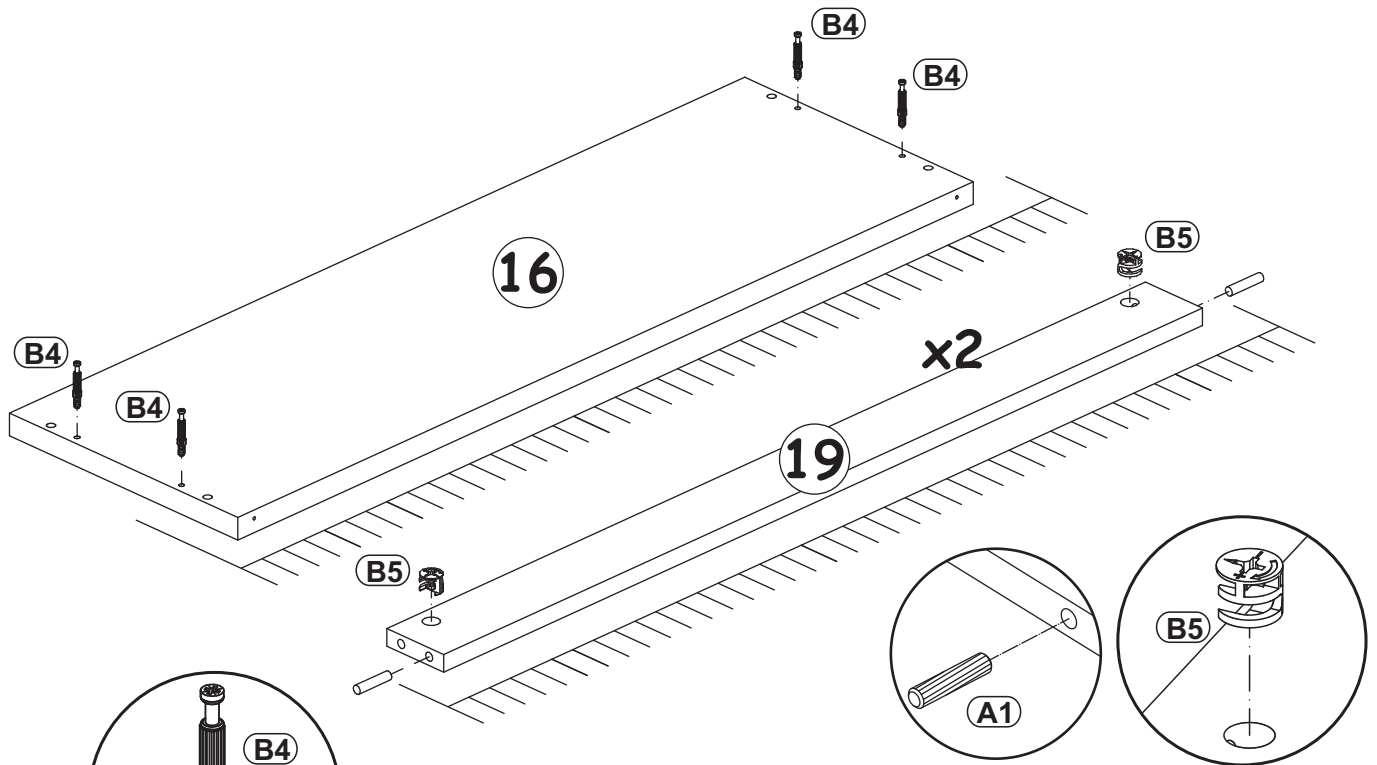
3



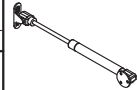
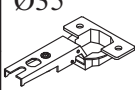

180°

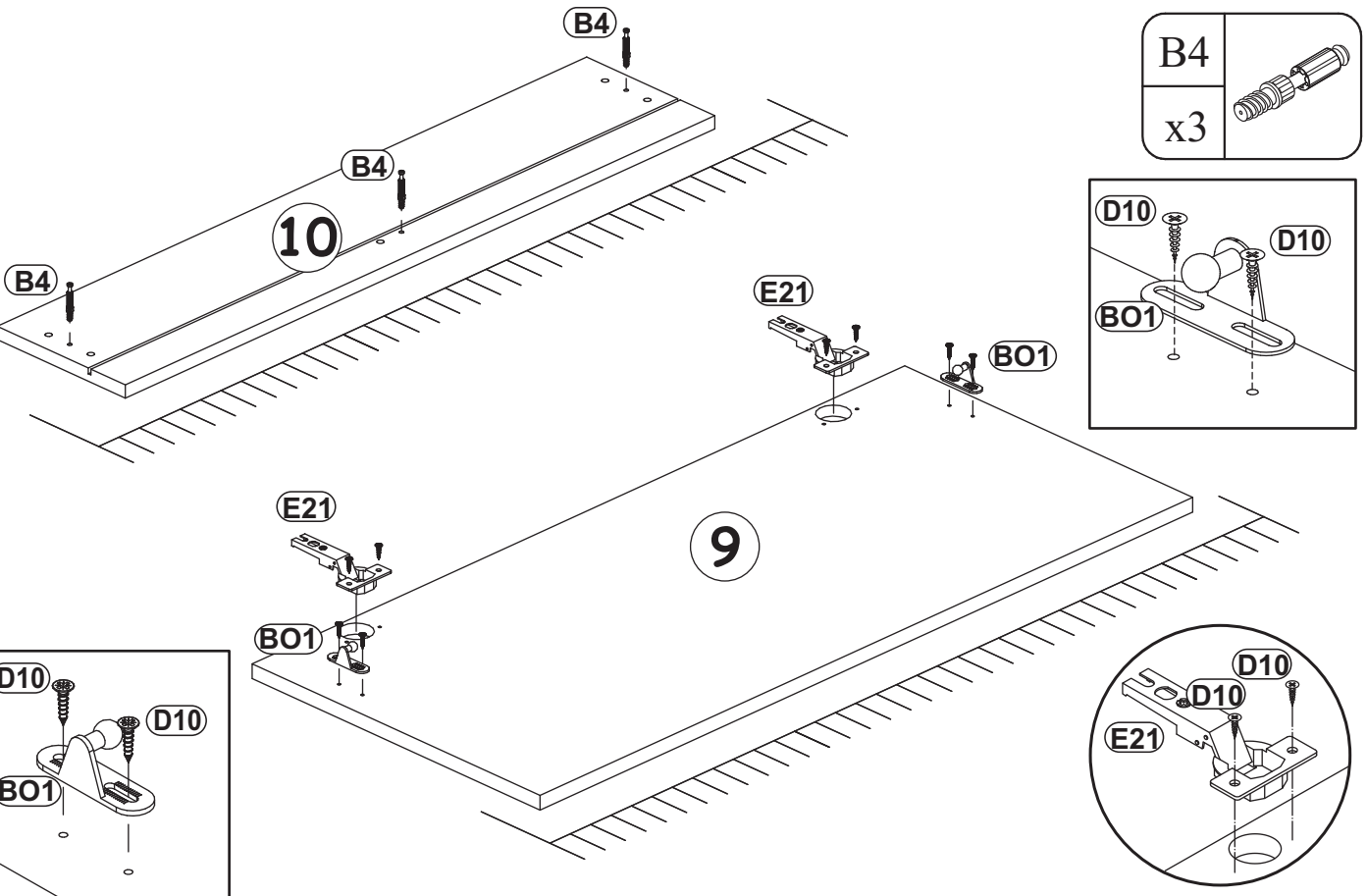
4

A1		B4		B5	
x4	ø8x36	x4		x4	ø15x12





5


BO1		E21		D10	
x2		x2	Ø35 H=0	x8	USØ3,5x13

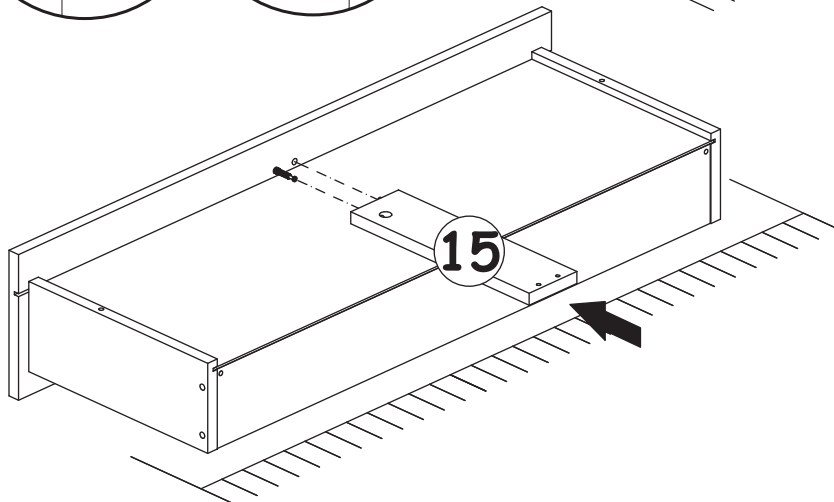
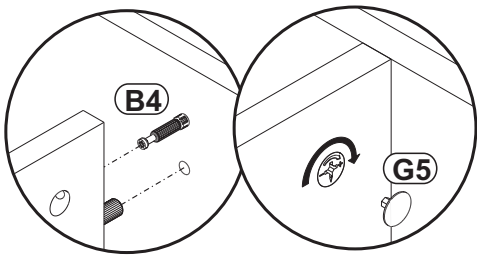
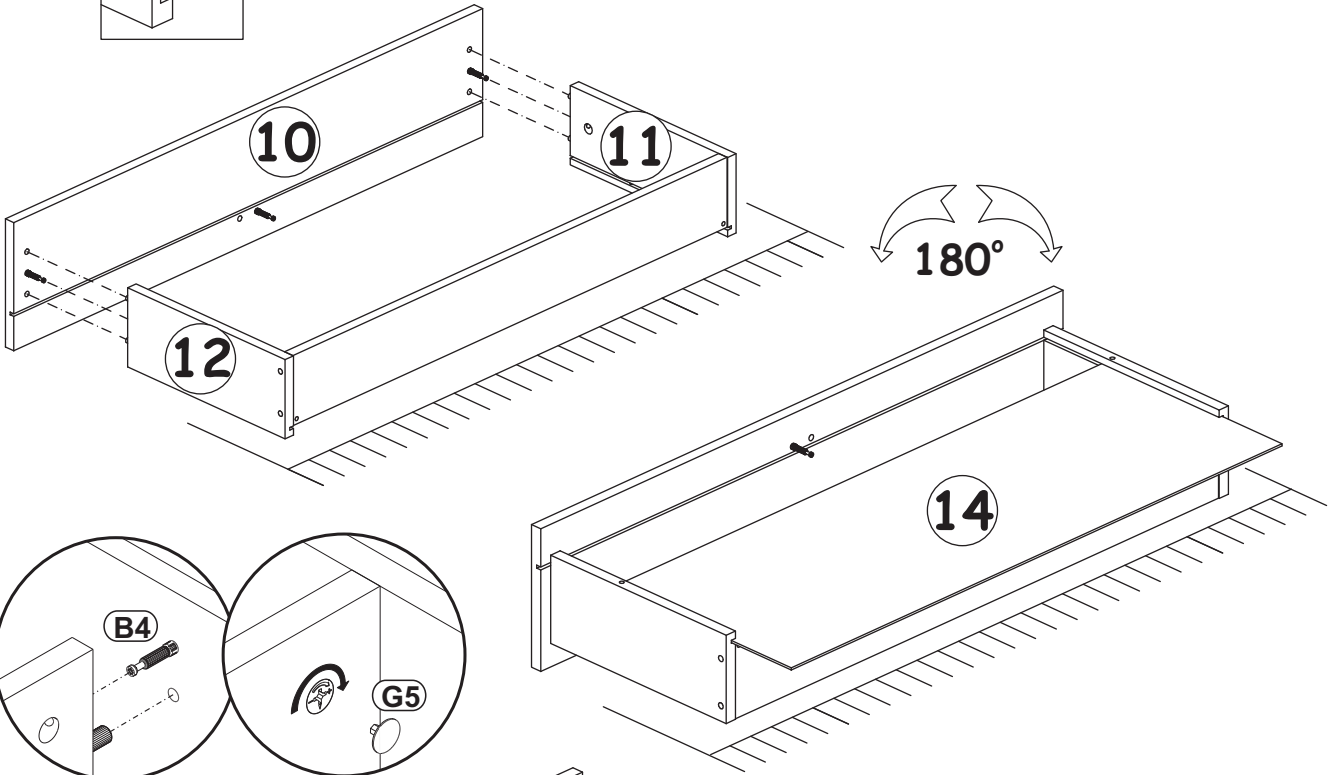
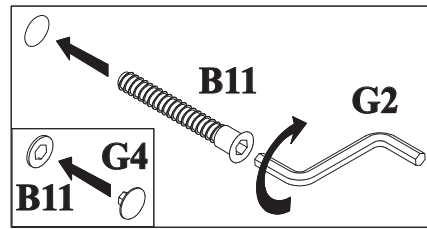
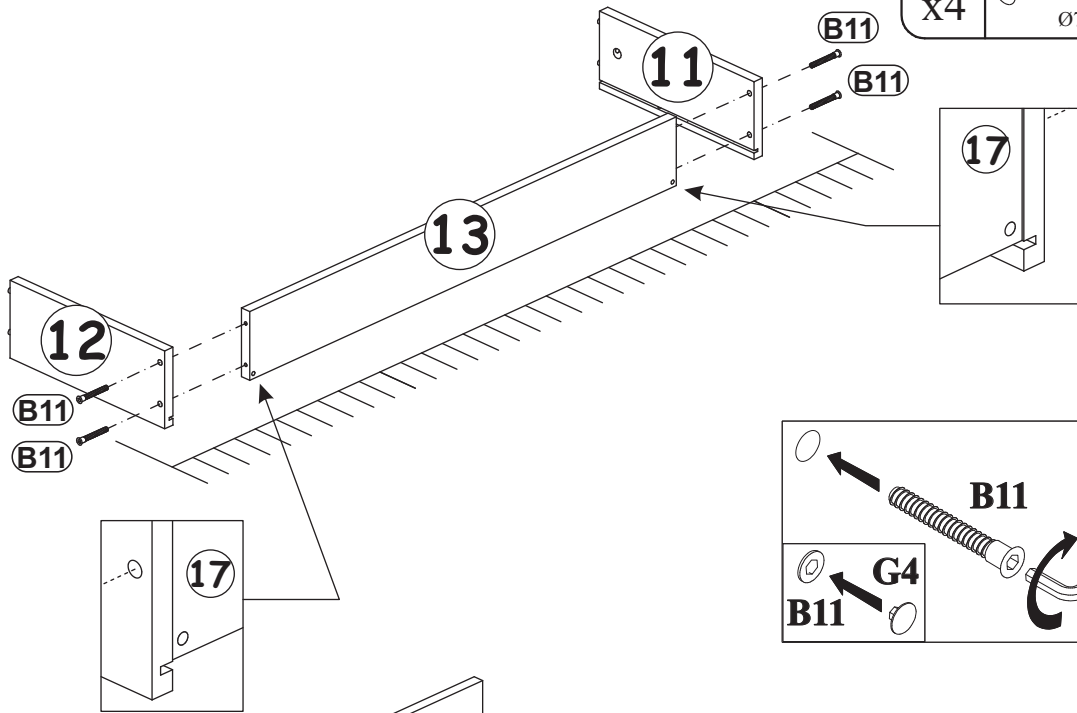


6

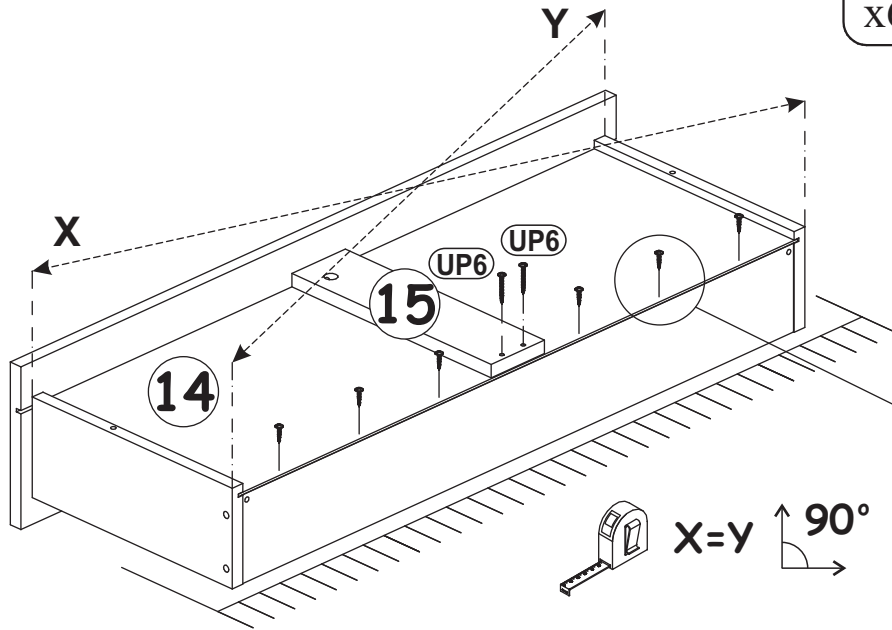
B11	
x4	Ø7x50

G4	
x4	

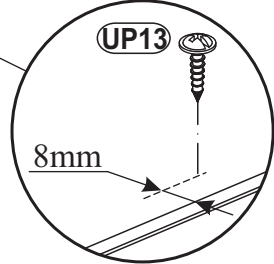
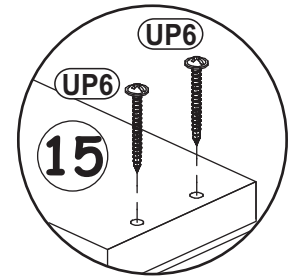
G5	
x3	



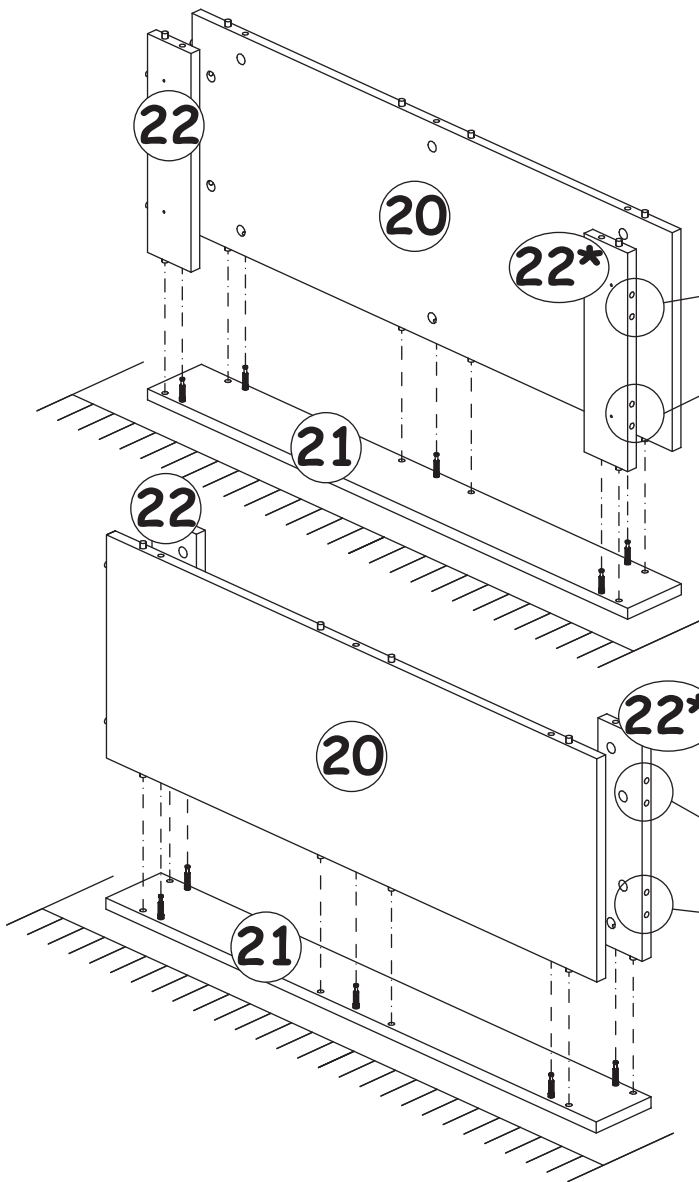
7



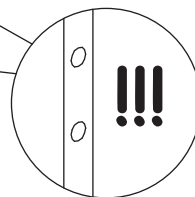
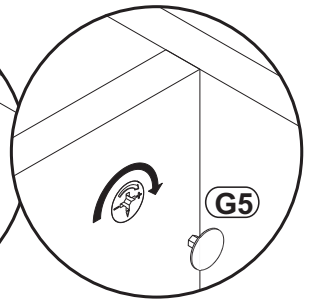
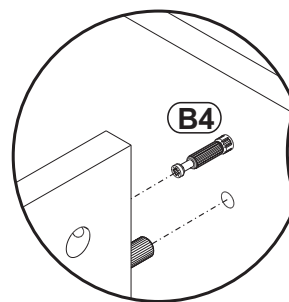
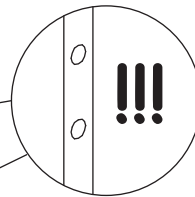
UP13		UP6	
x6	UP03x16	x2	UP04x30




8



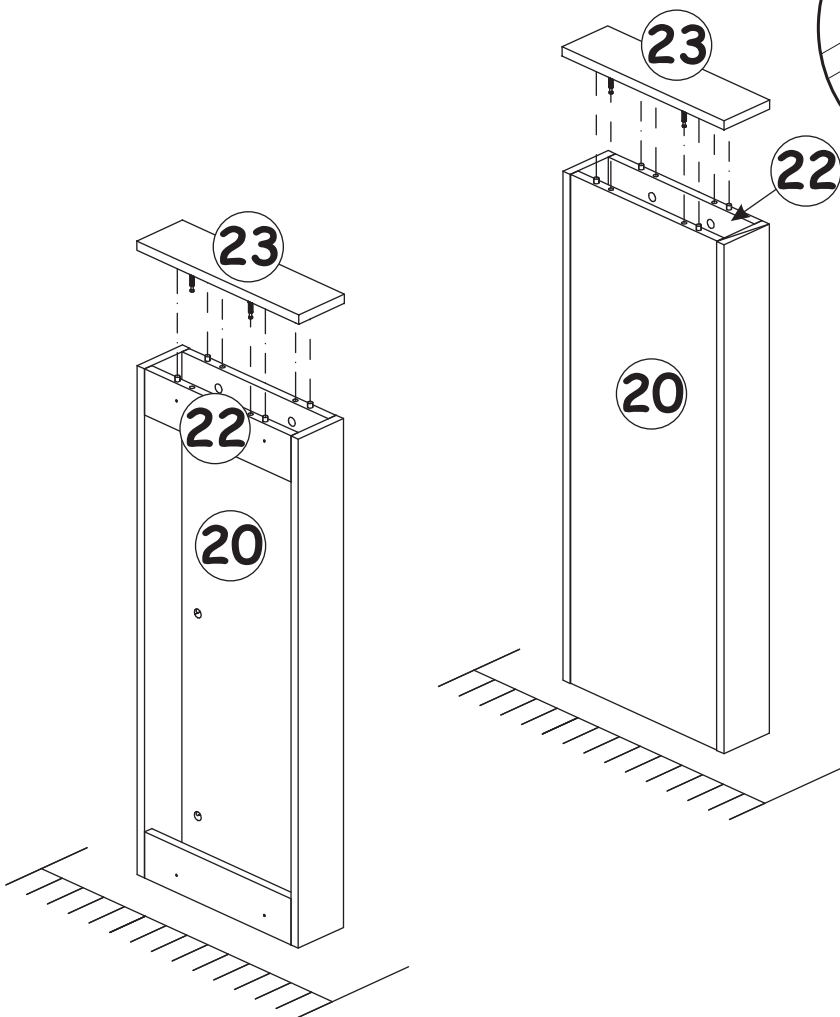
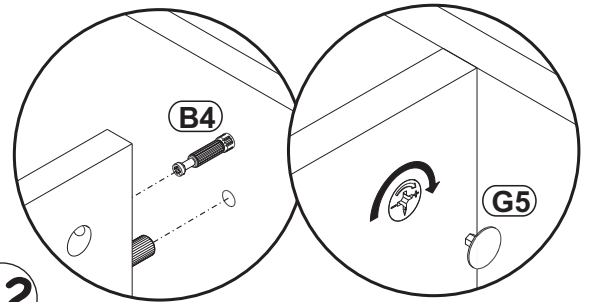
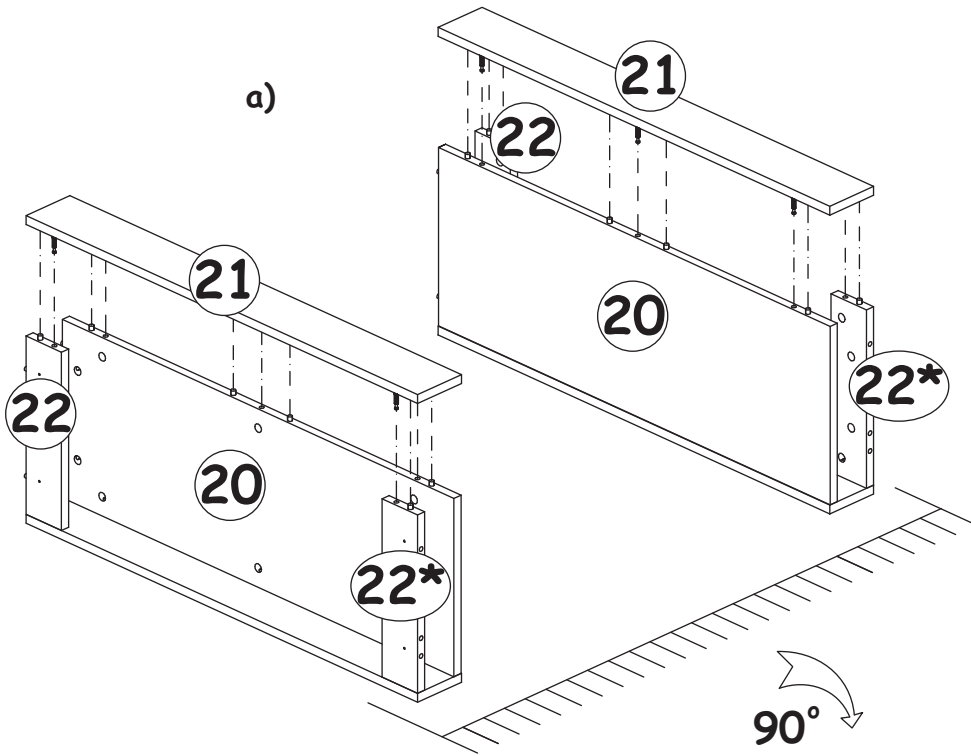
G5	
x10	




G5	
x10	

9

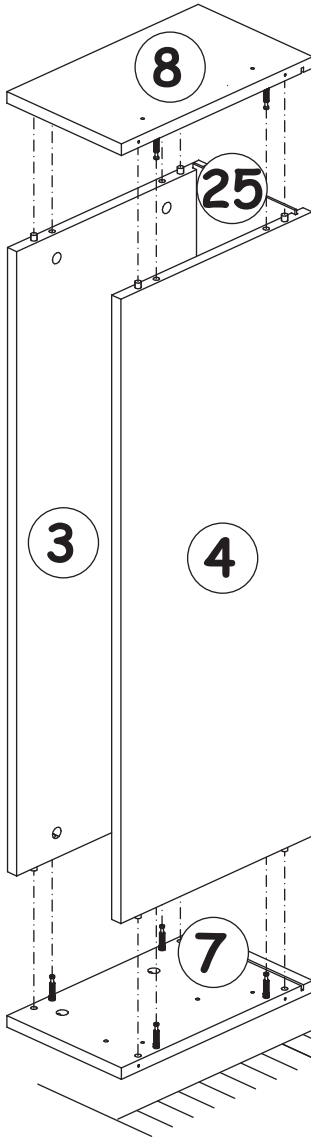
a)



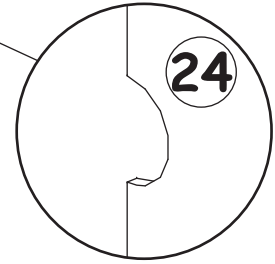
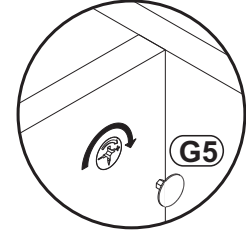
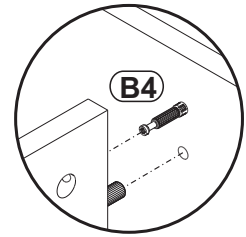
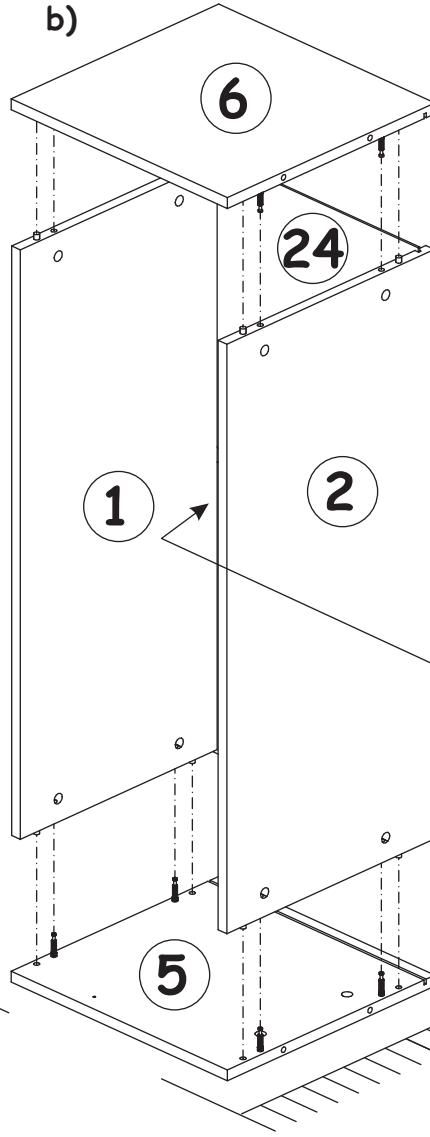
10

G5	
x16	

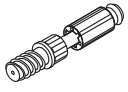
a)

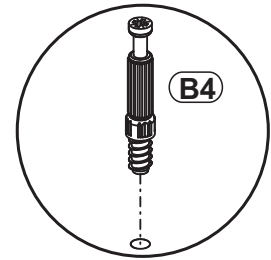
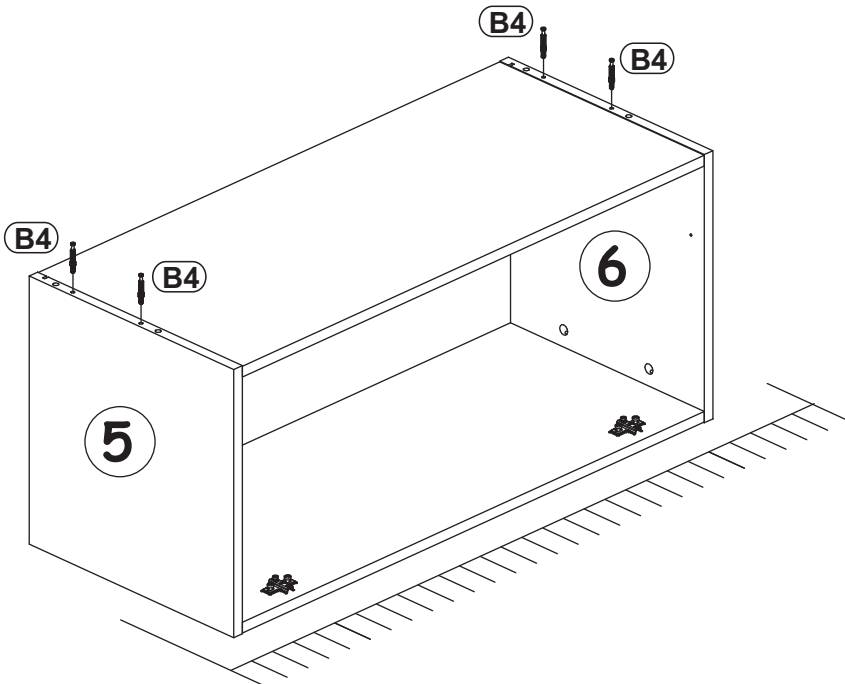


b)



11

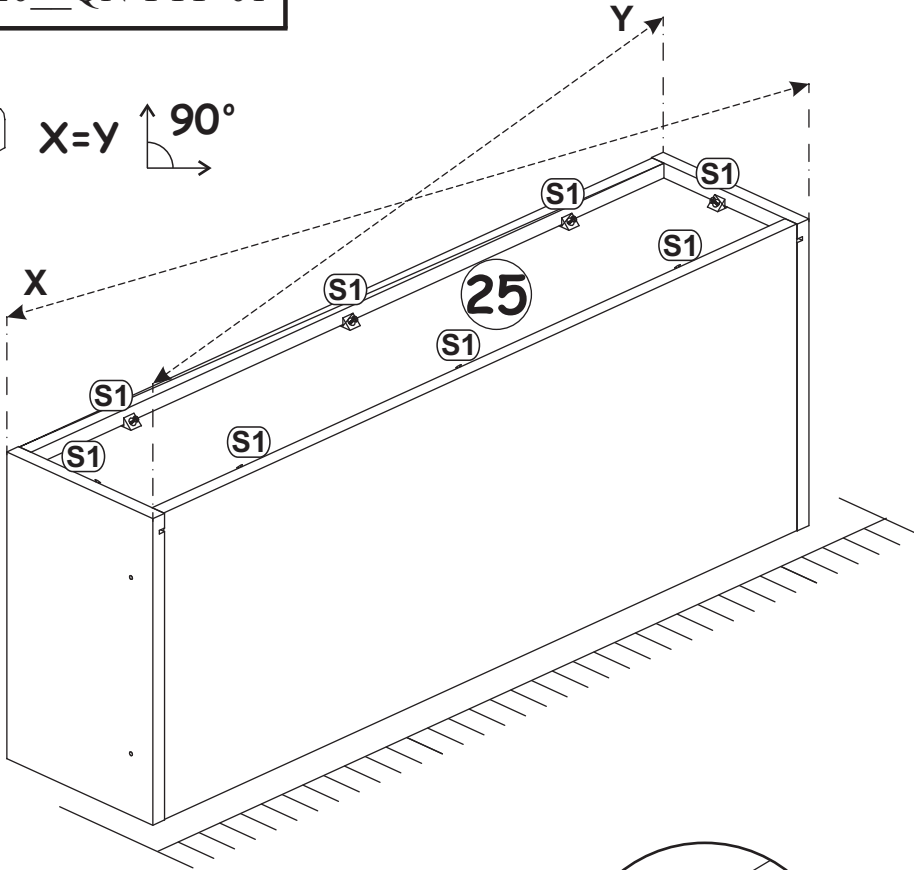
B4	
x4	



12



X=y 90°

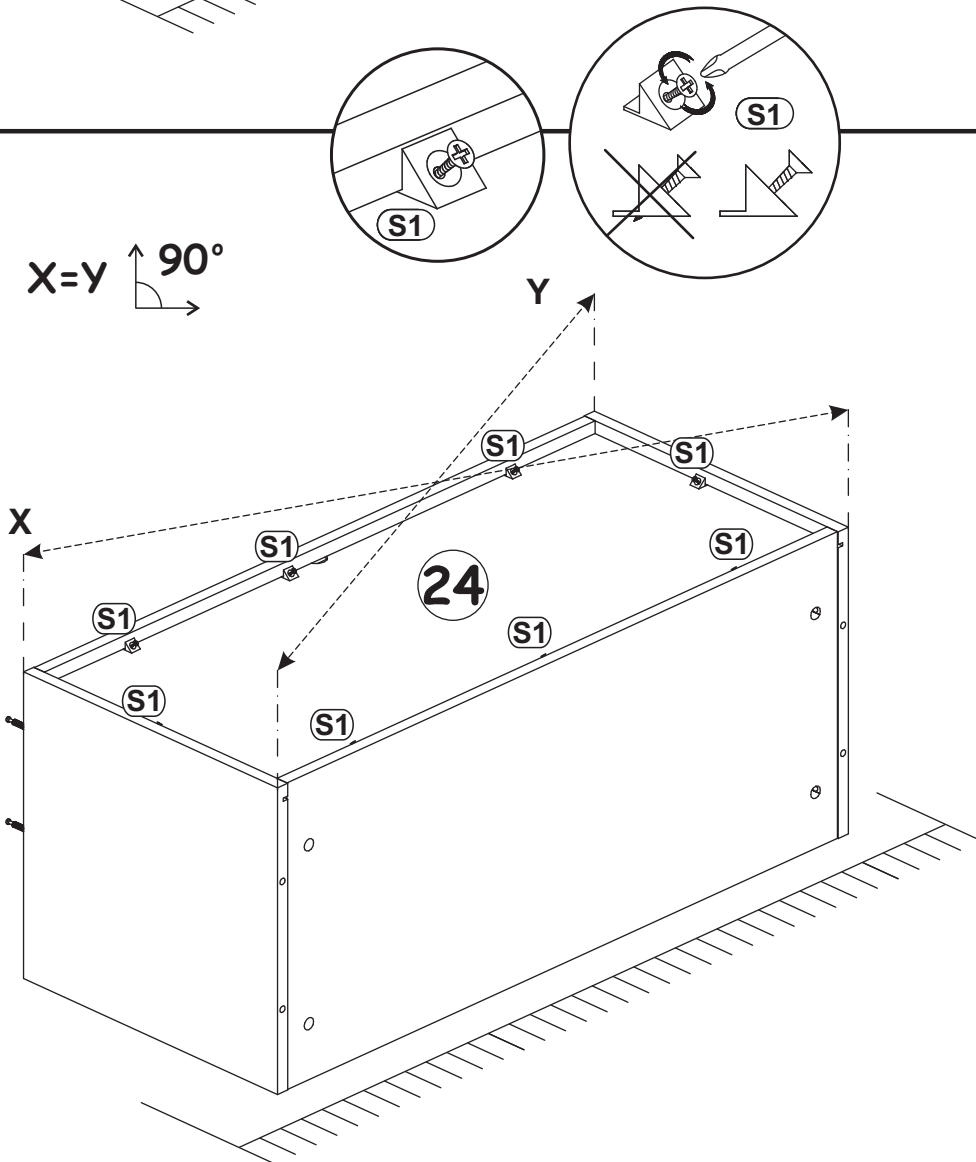


S1	
x8	

13

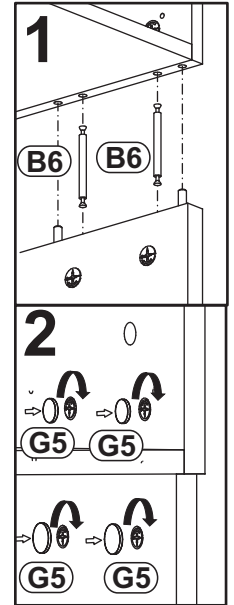
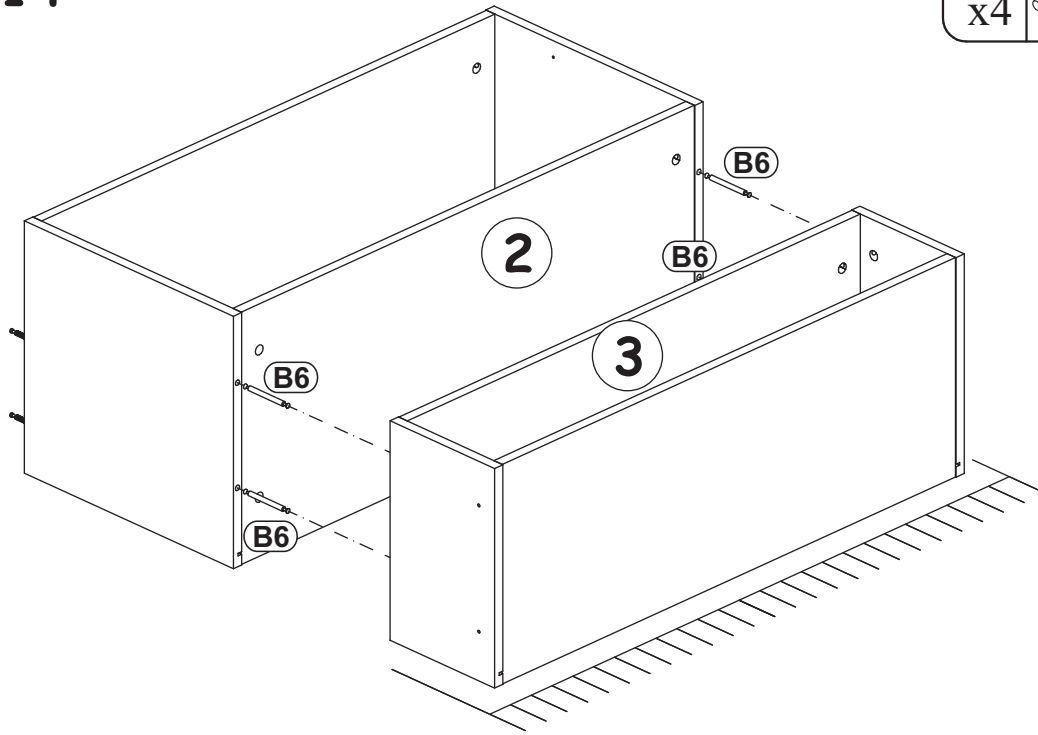
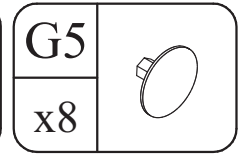
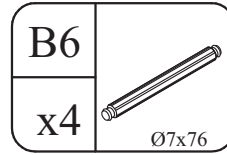


X=y 90°

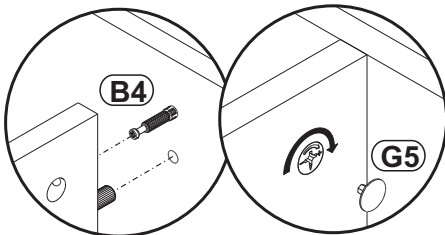
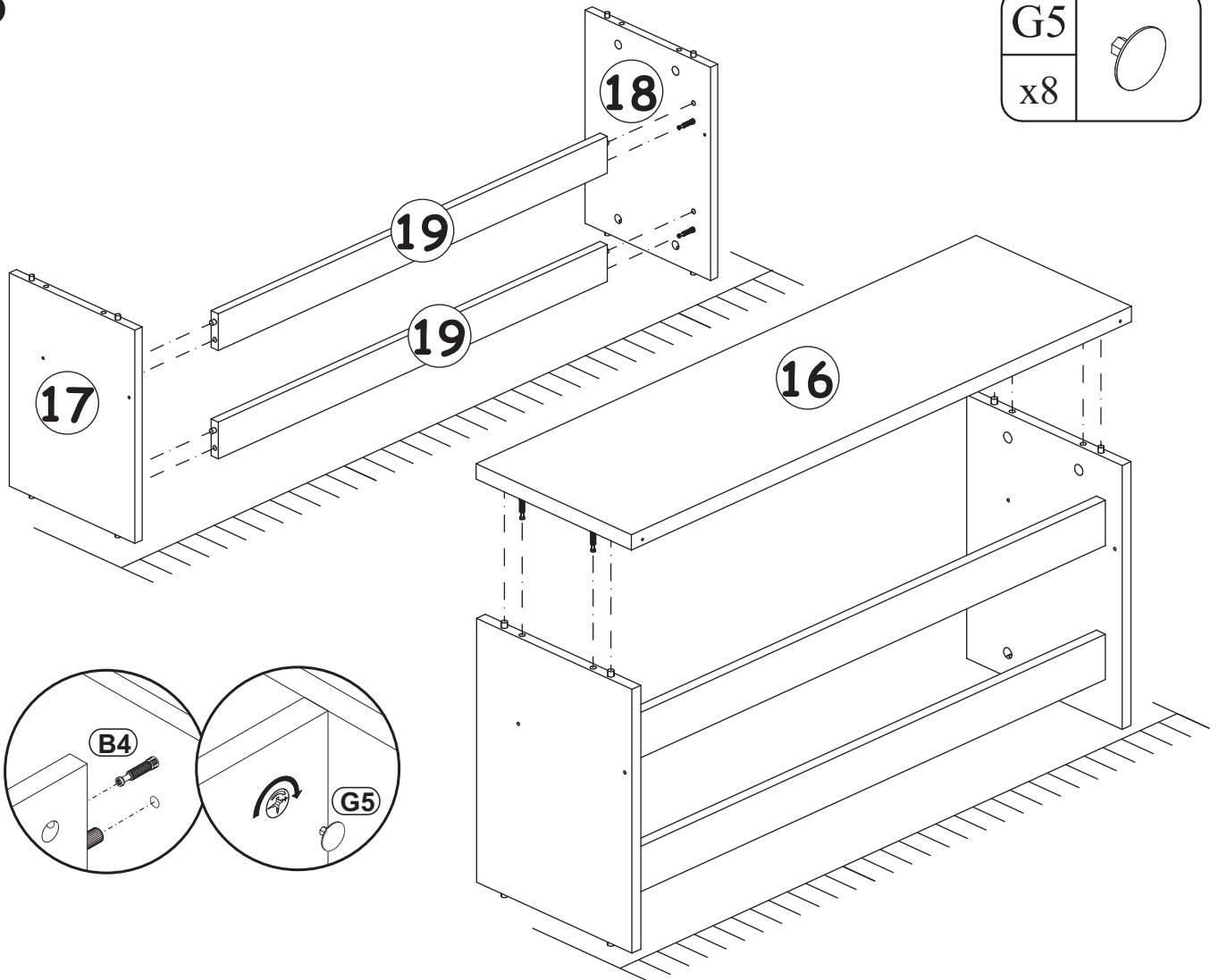
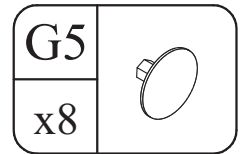


S1	
x8	

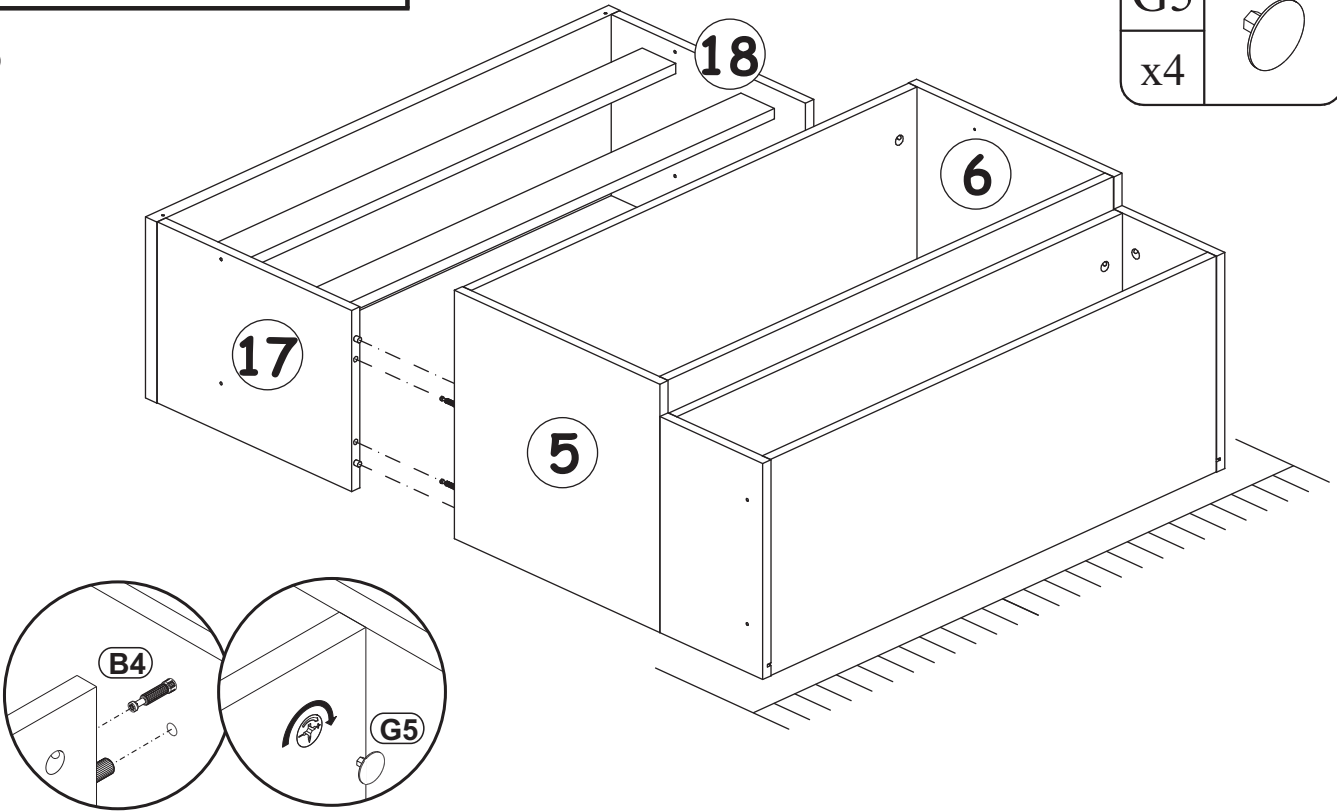
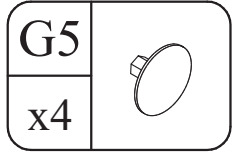
14



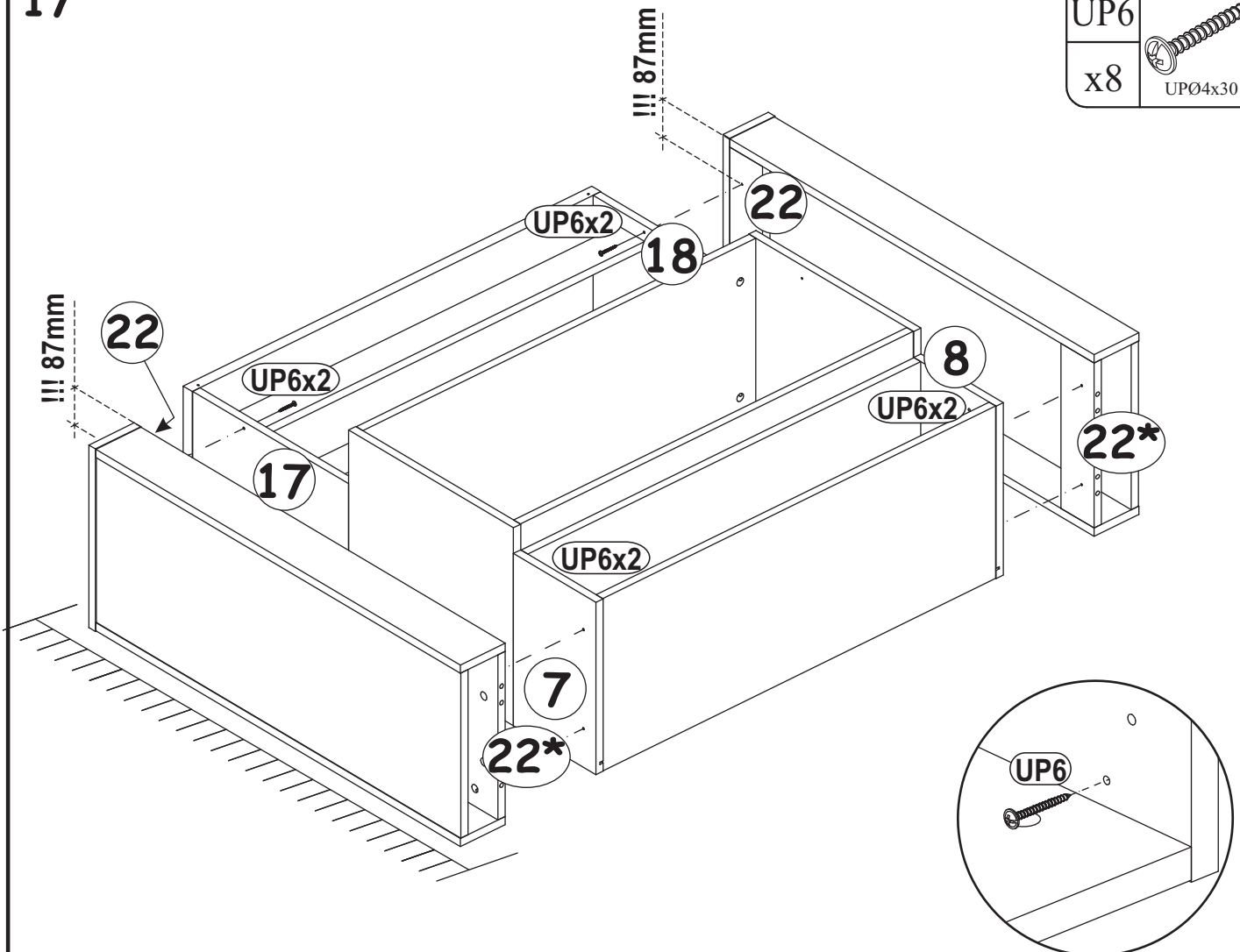
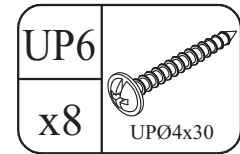
15



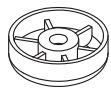
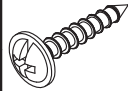
16

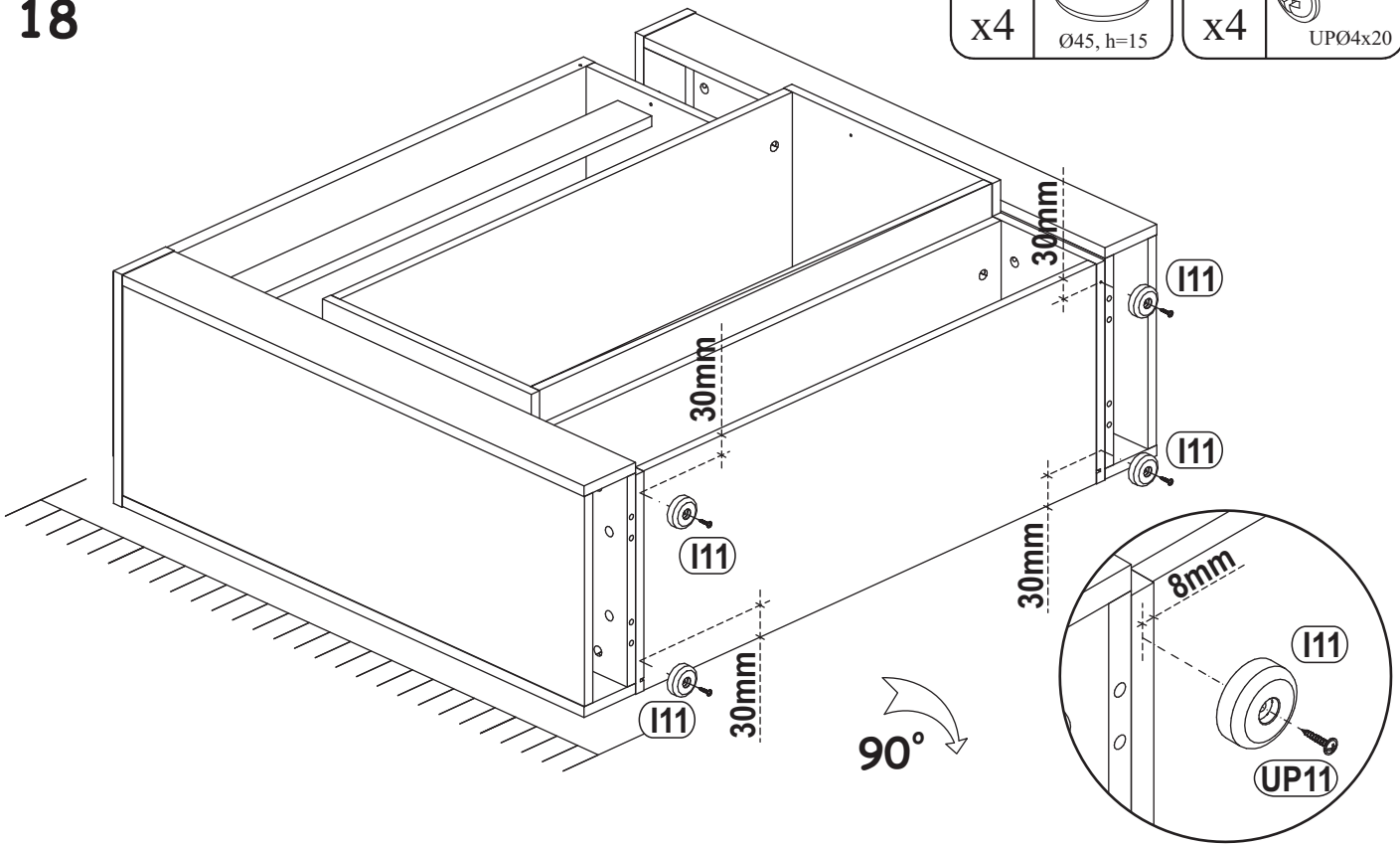


17

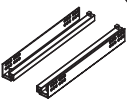




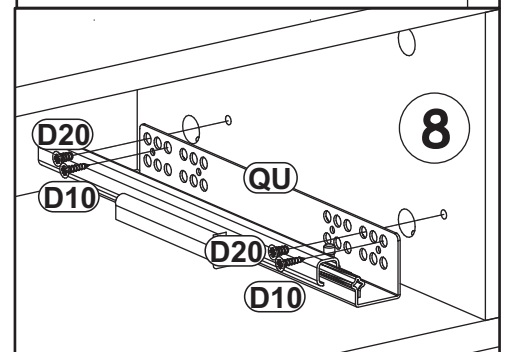
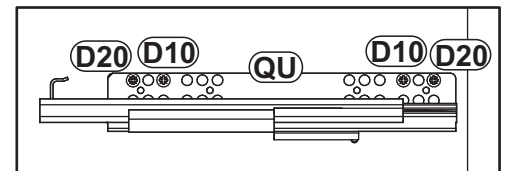
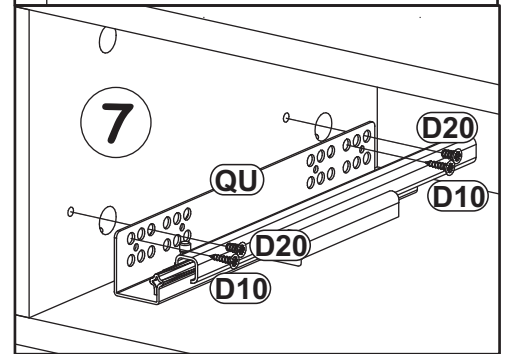
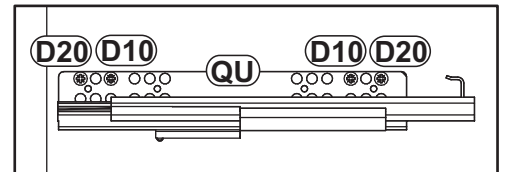
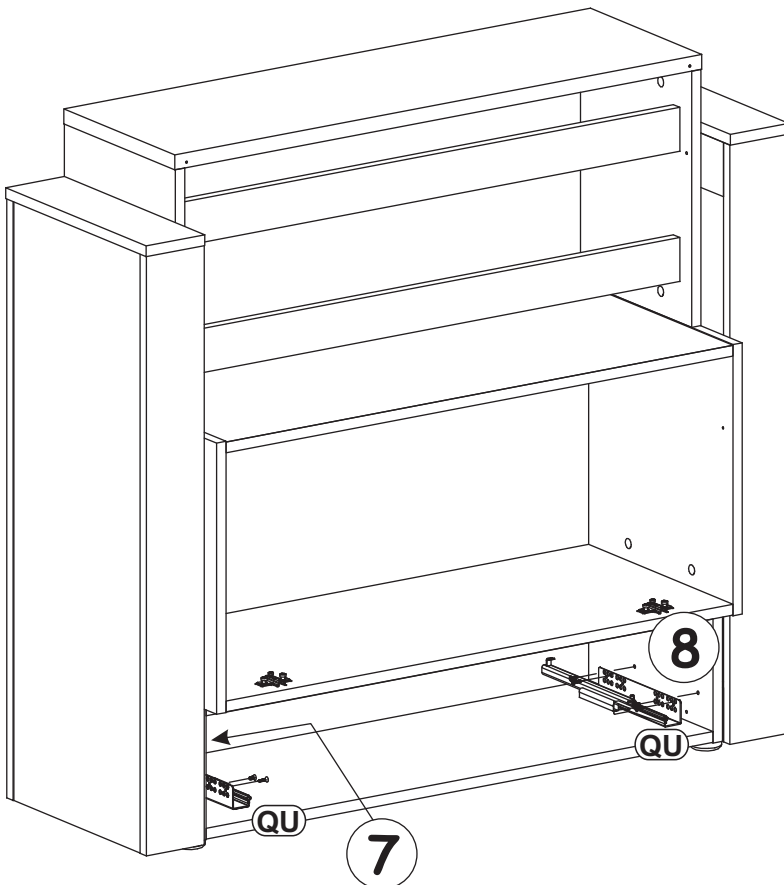
18

I11		UP11	
x4	Ø45, h=15	x4	UPØ4x20

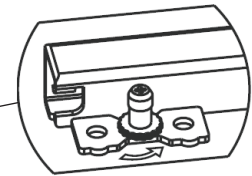
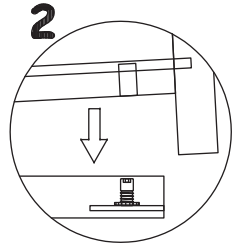
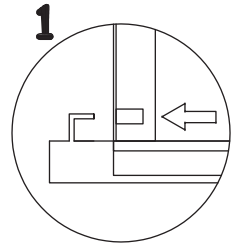
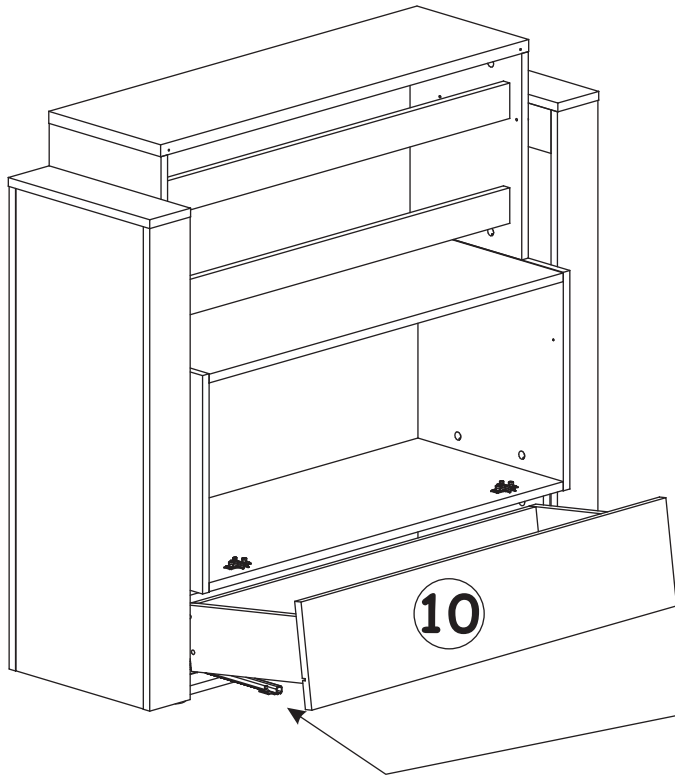


19

QU		D10		D20	
x1	L-300mm	x4	USØ3,5x13	x4	ESØ6,3x9,5

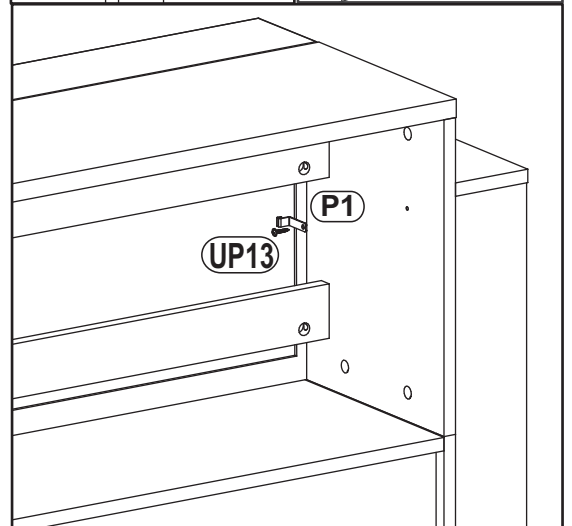
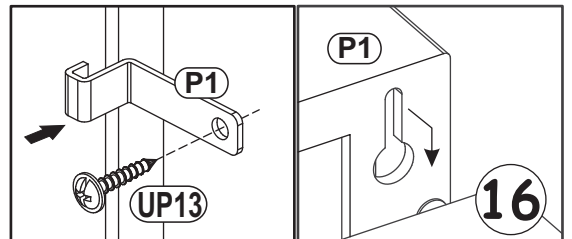
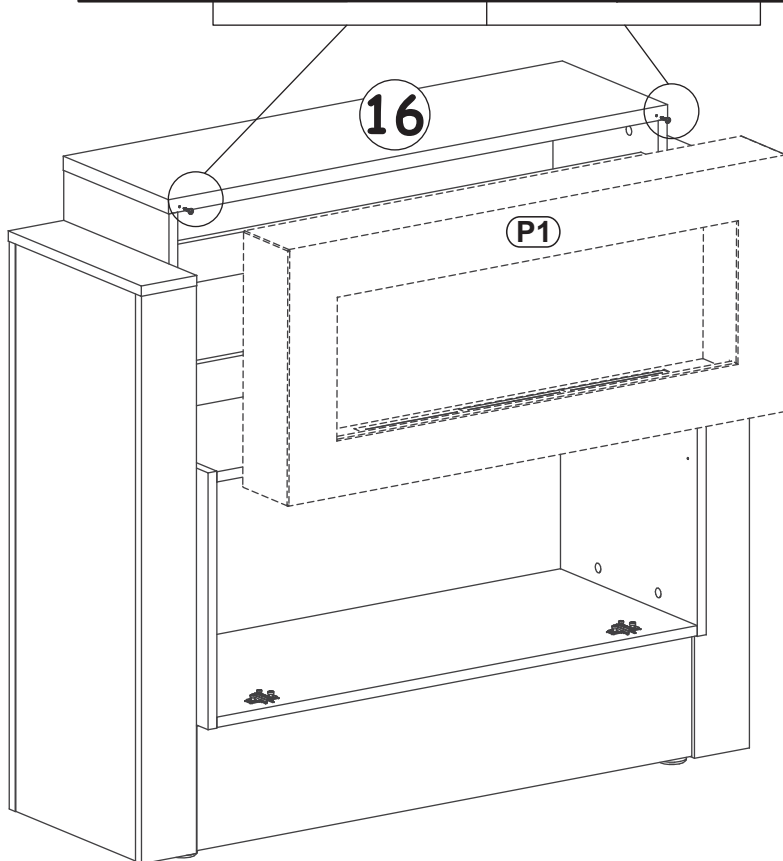
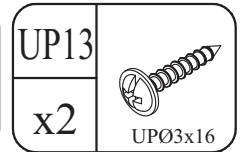
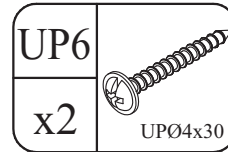
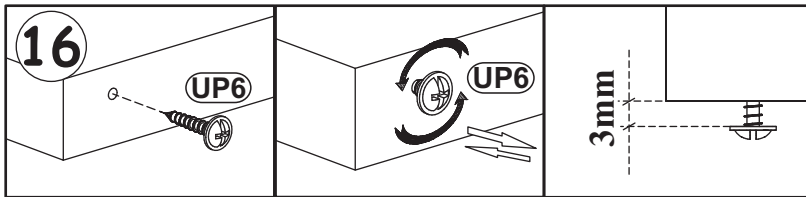


20

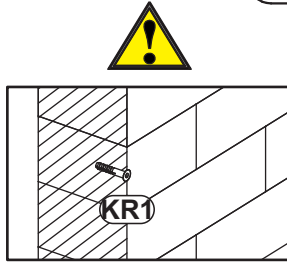
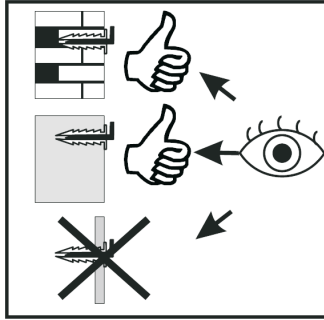


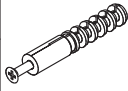
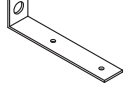

↑ +4 mm

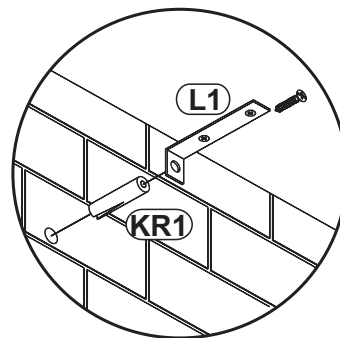
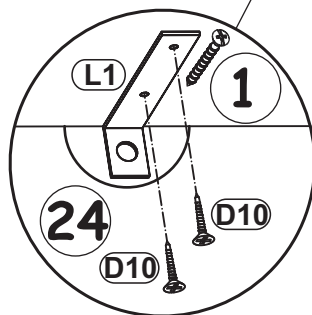
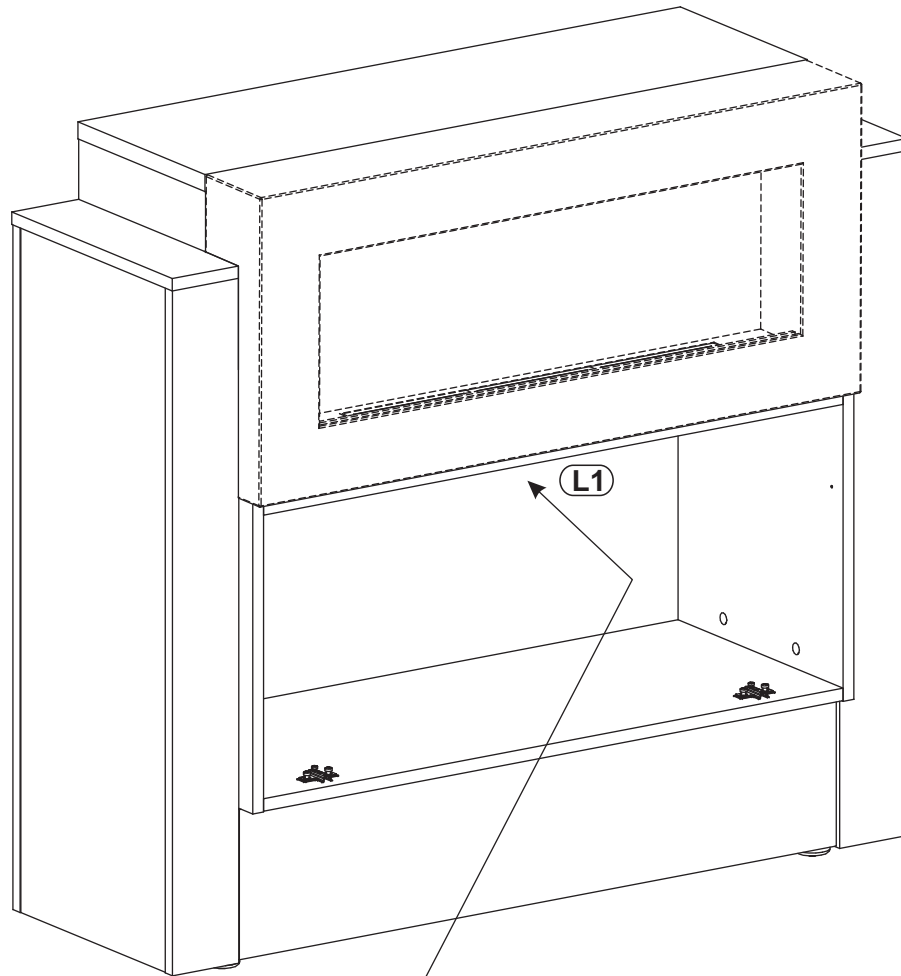
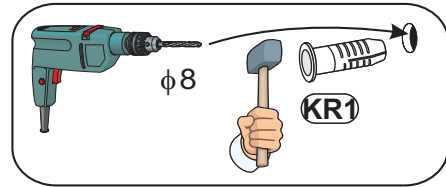
21




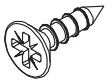
22

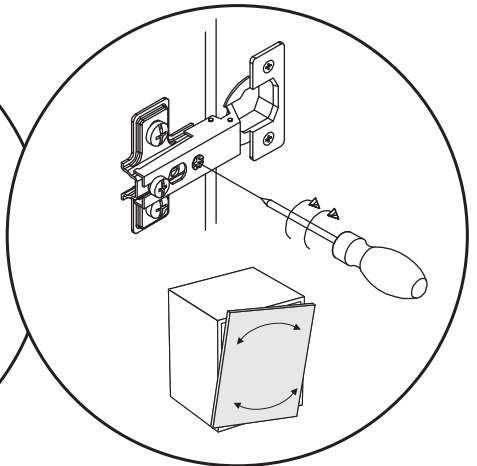
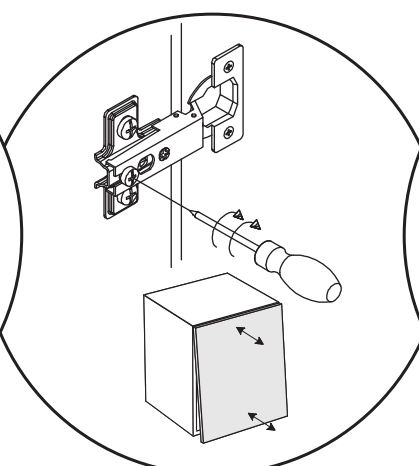
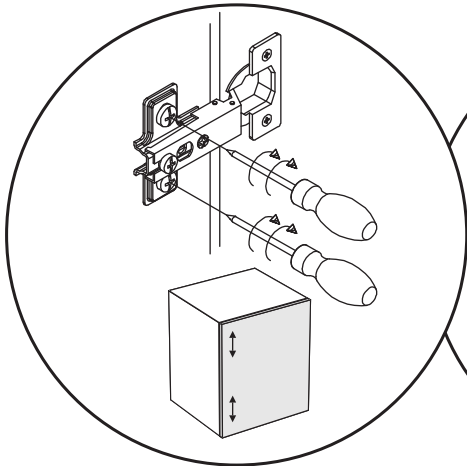
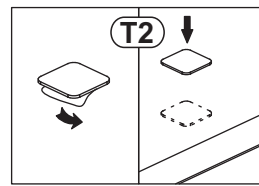
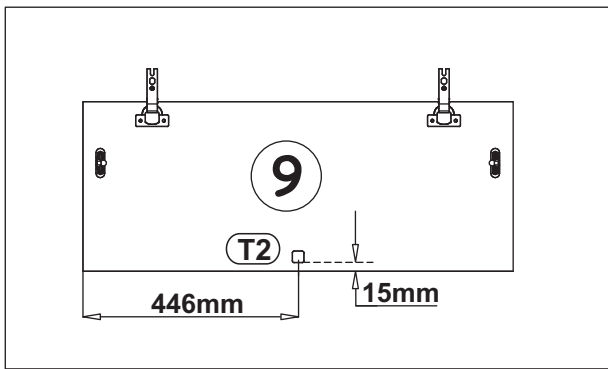
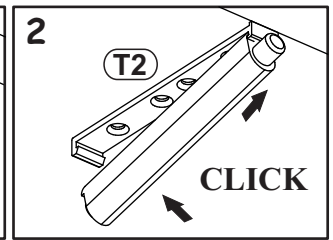
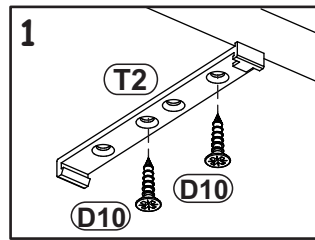
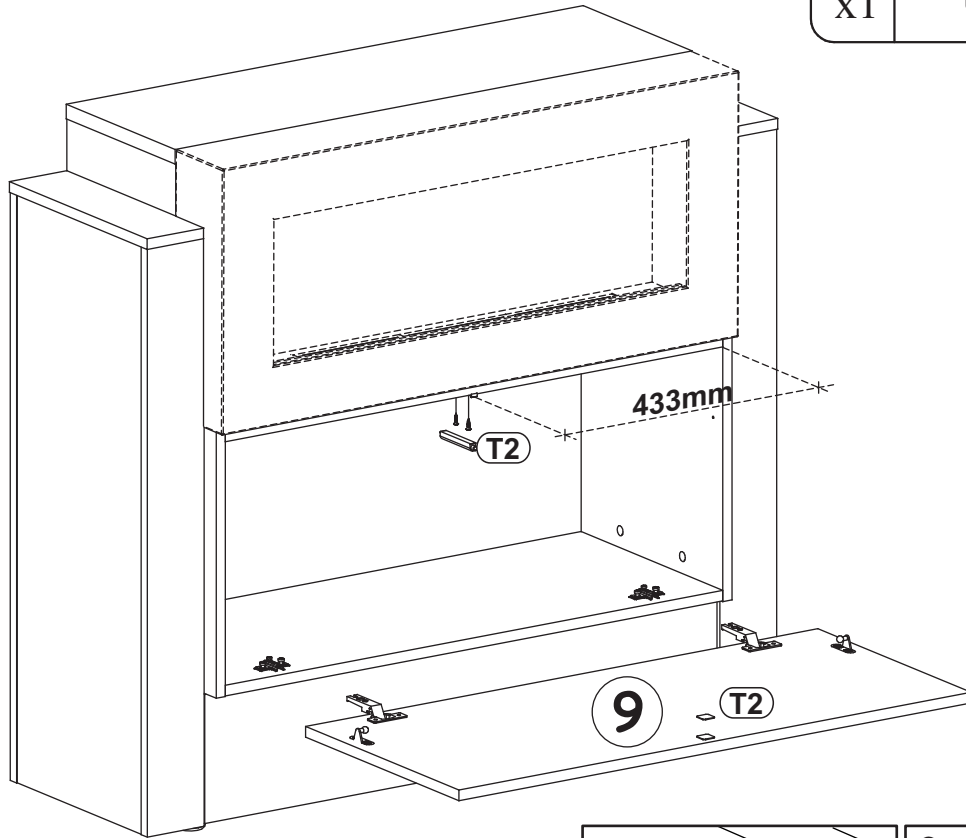


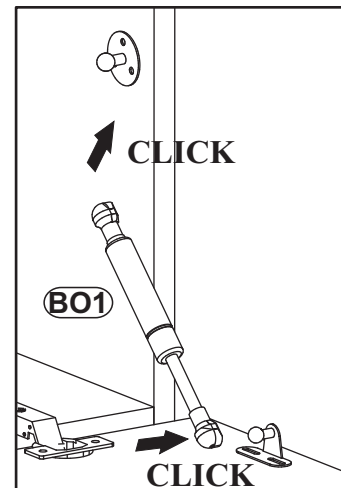
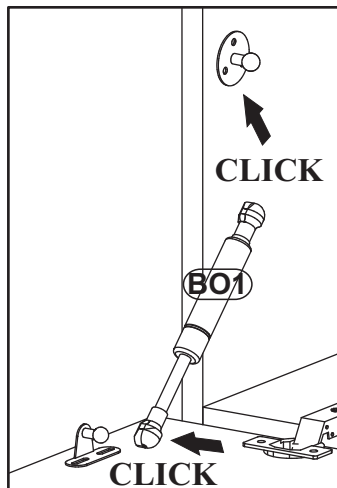
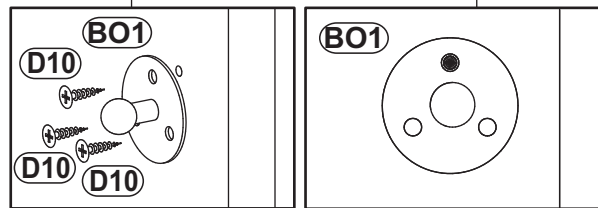
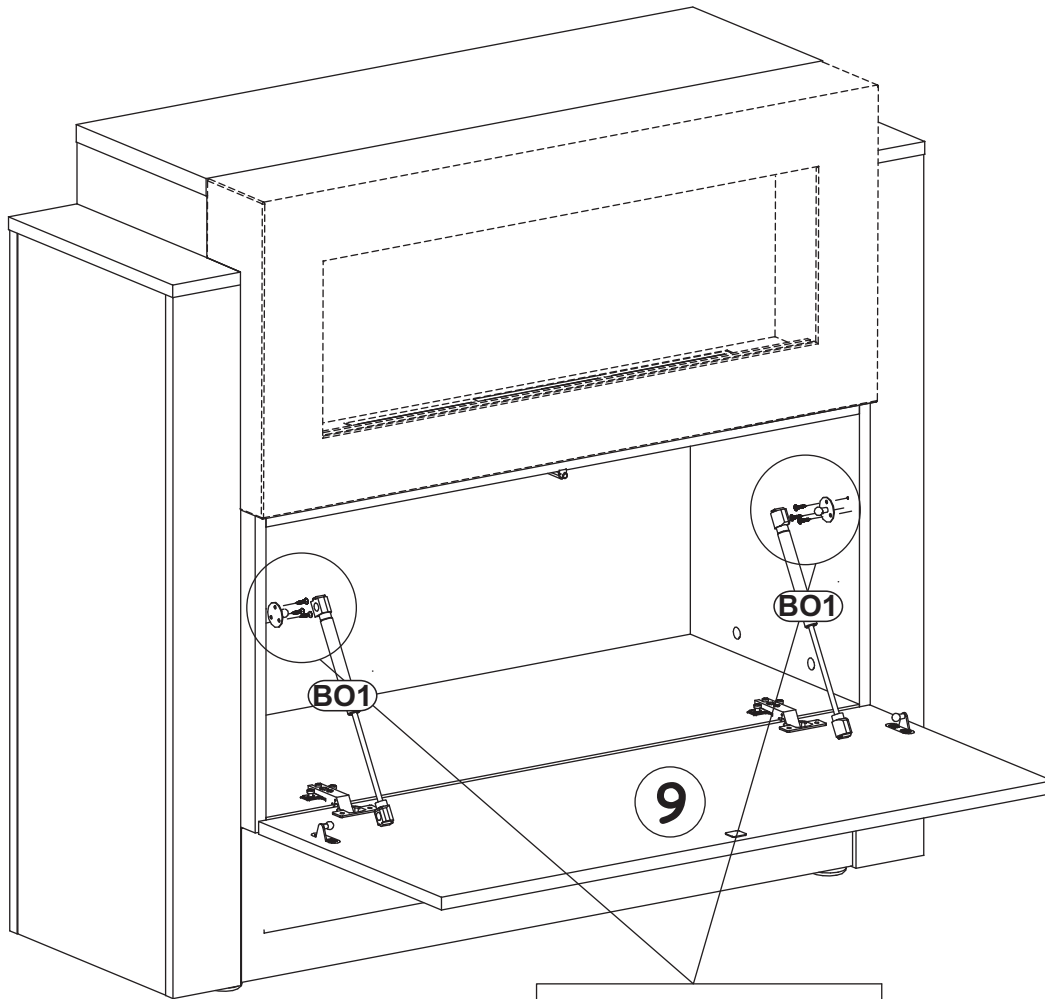
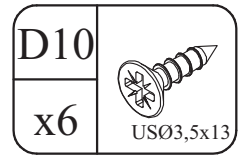
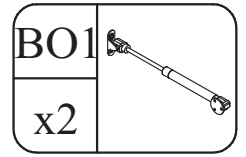
KR1		L1		D10	
x1		x1		x2	USØ3,5x13



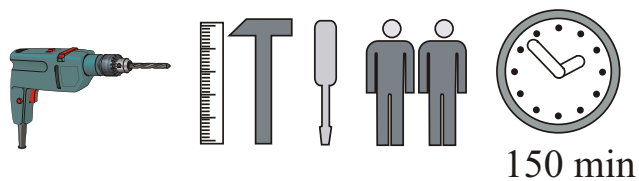
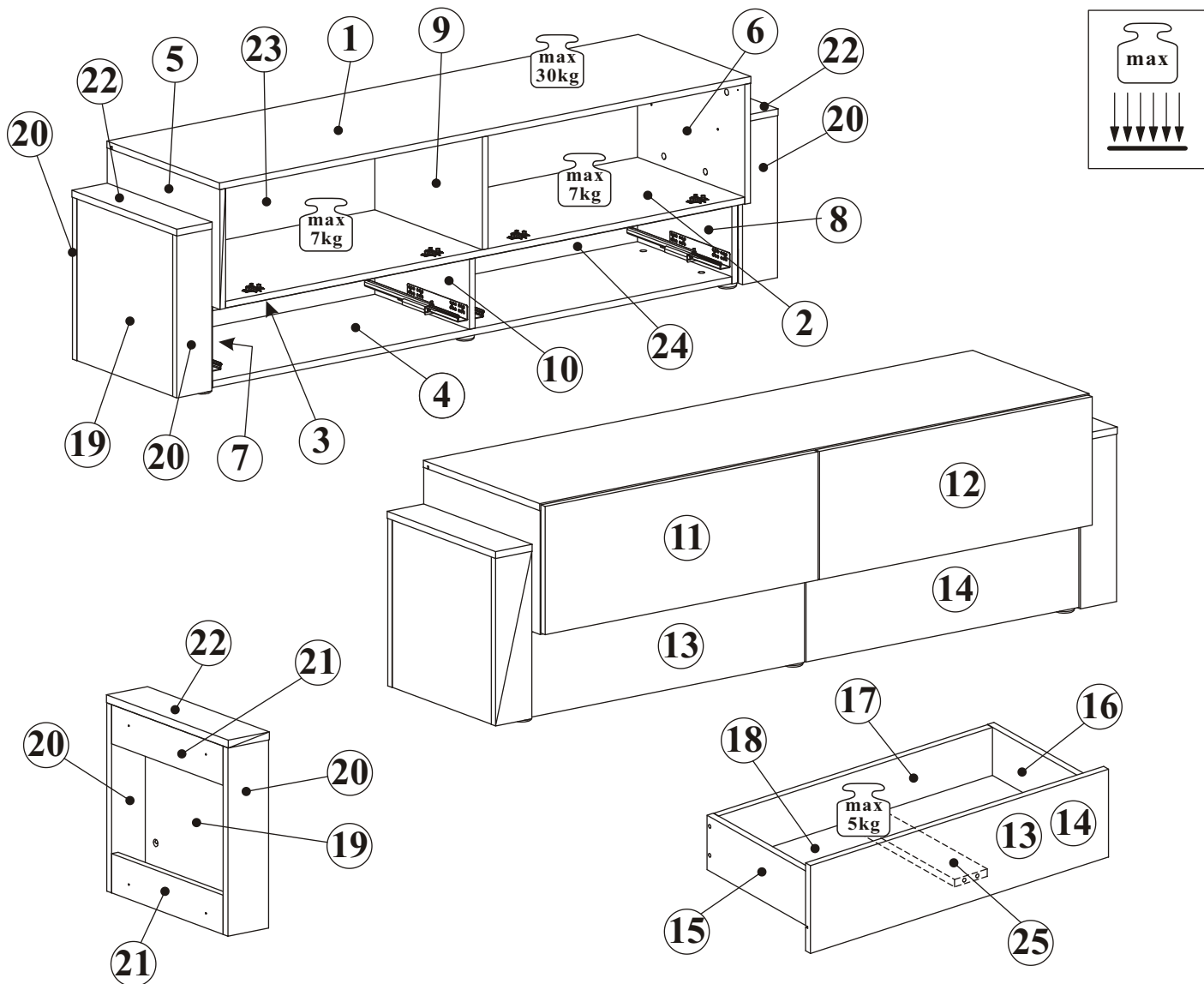
23

T2		D10	
x1	+ 20x14	x2	USØ3,5x13





QUEENS 20_QN RTV TYP-30



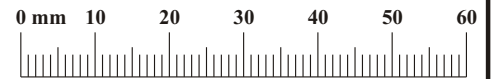
150 min

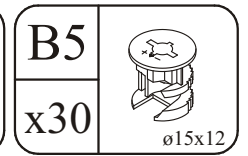
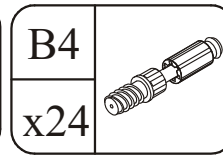
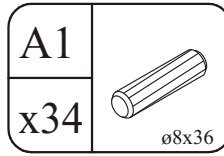
NO	Dim.			Col-No	Qty
7	384	200	16	3	1
8	384	200	16	3	1
10	364	166	16	3	1
4	1468	384	16	3	1
3	1468	384	16	3	1
24	1480	178	3	3	1
13	746	194	16	3	1
14	746	194	16	3	1
25	349	80	16	3	2
19	384	370	16	3	2
20	384	99	16	3	4
21	370	80	16	3	4
22	404	100	16	3	2

NO	Dim.			Col-No	Qty
11	746	294	16	4	1
12	746	294	16	4	1
5	434	284	16	4	1
6	434	284	16	4	1
9	414	267	16	4	1
2	1468	434	16	4	1
23	1480	279	3	4	1
1	1502	434	16	4	1
15	350	120	16	4	2
16	350	120	16	4	2
17	685	106	16	4	2
18	354	698	3	4	2

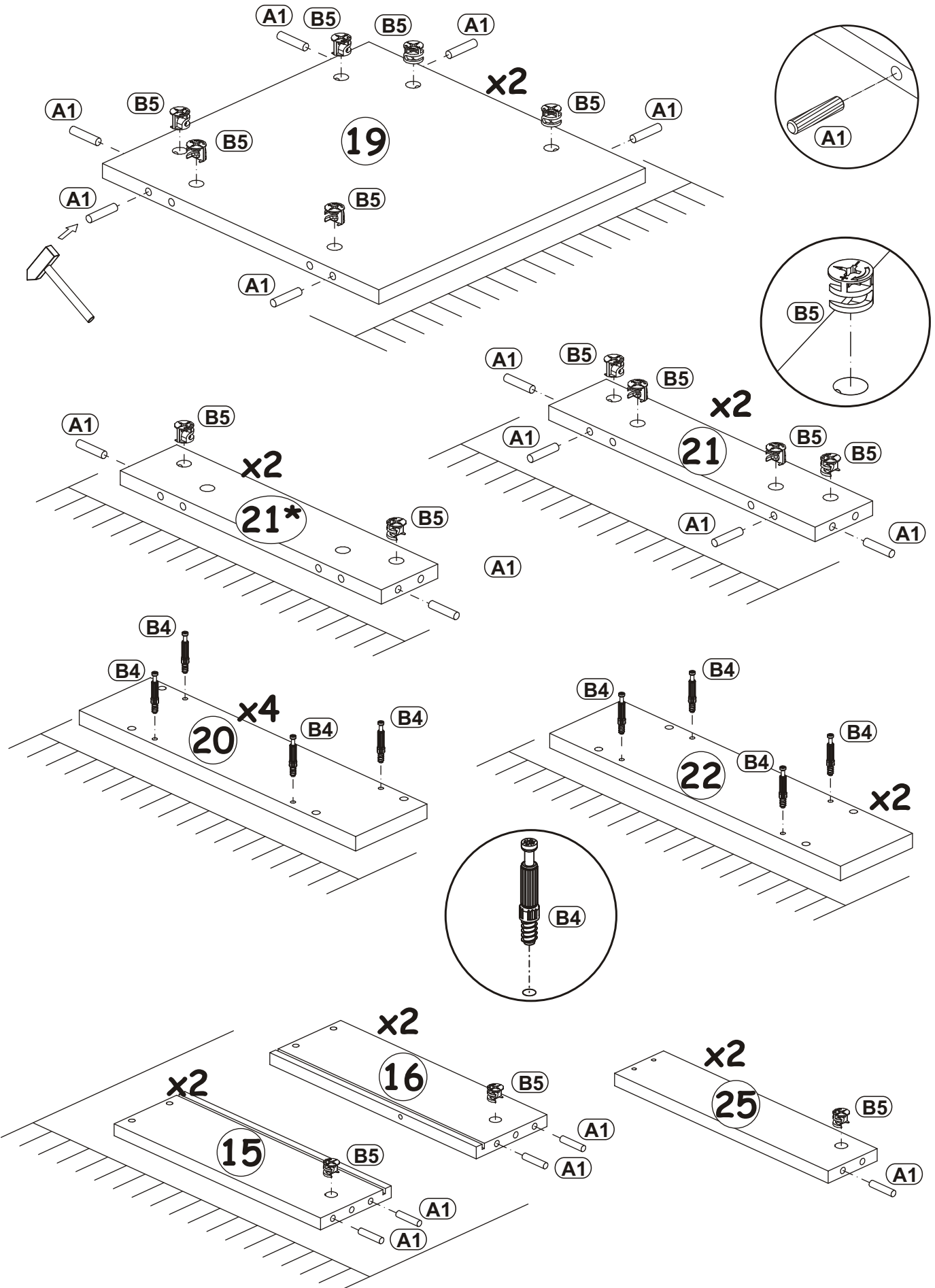
QUEENS 20_QN TYP-30

A1 x58 ø8x36	B4 x54	B6 x4 Ø7x76	B5 x62 ø15x12	G5 x62	QU x2 L-350mm
E21 x4 Ø35 H=0	E2 x4 H=0	D10 x34 USØ3,5x13	B11 x8 Ø7x50	G4 x8	UP6 x12 UPØ4x30
S1 x24	BO1 x2	UP13 x15 UPØ3x16	I11 x6 Ø45, h=15	UP11 x6 UPØ4x20	L1 x2
D20 x8 ESØ6,3x9,5	KR1 x2	T2 x2 + 20x14	G2 x1		

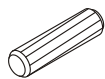


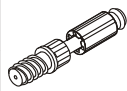



1

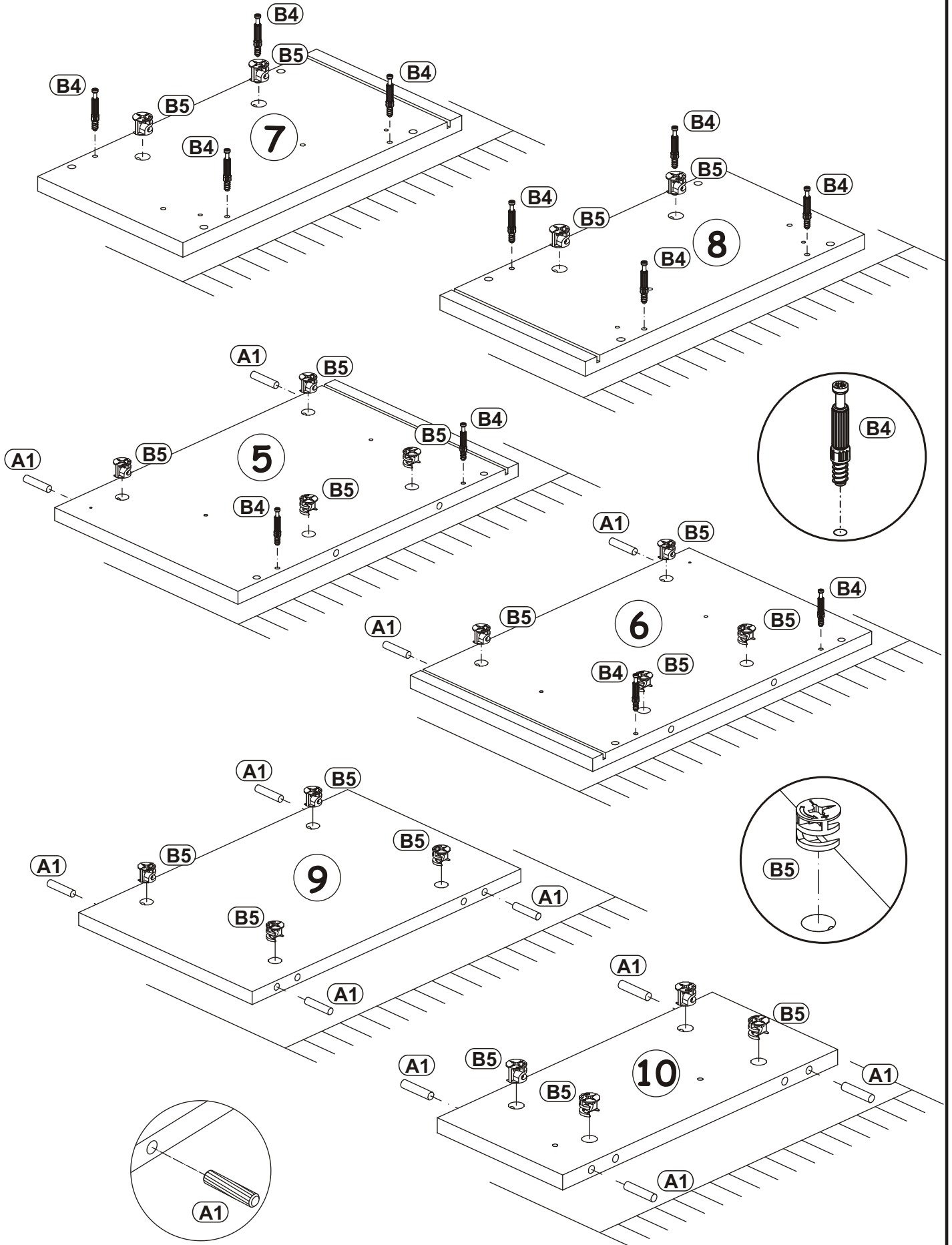


2

A1	
x12	ø8x36

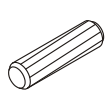
B4	
x12	

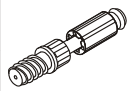
B5	
x20	ø15x12




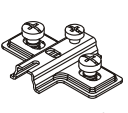
QUEENS 20_QN TYP-30

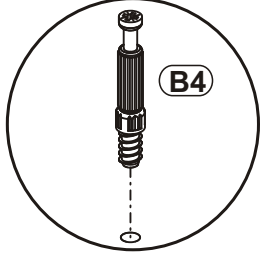
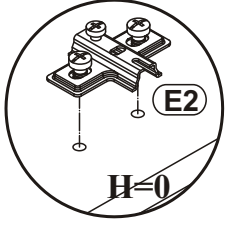
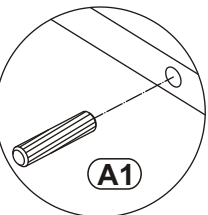
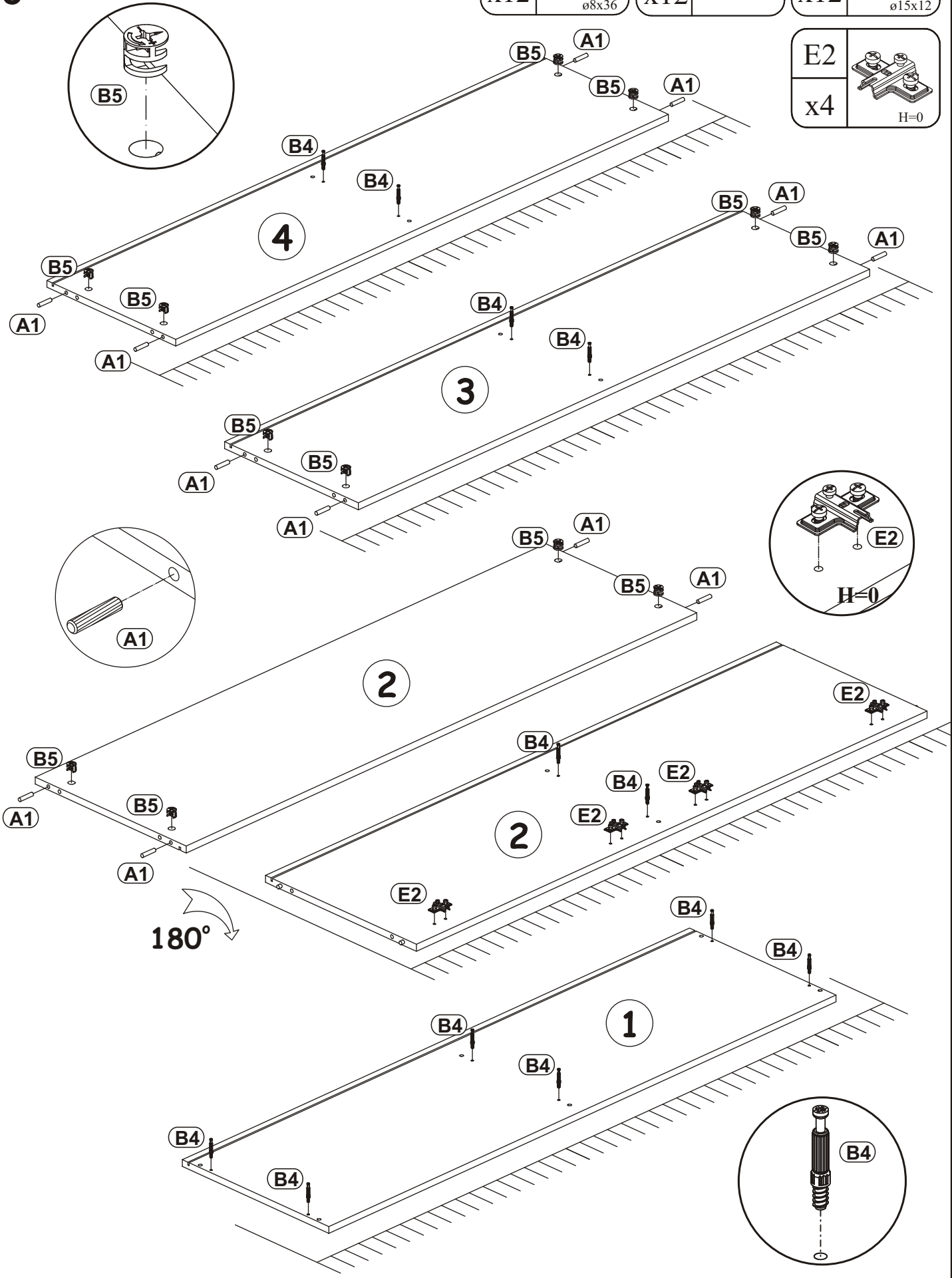
3

A1	
x12	ø8x36

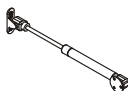
B4	
x12	

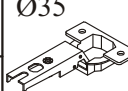
B5	
x12	ø15x12


E2	
x4	H=0

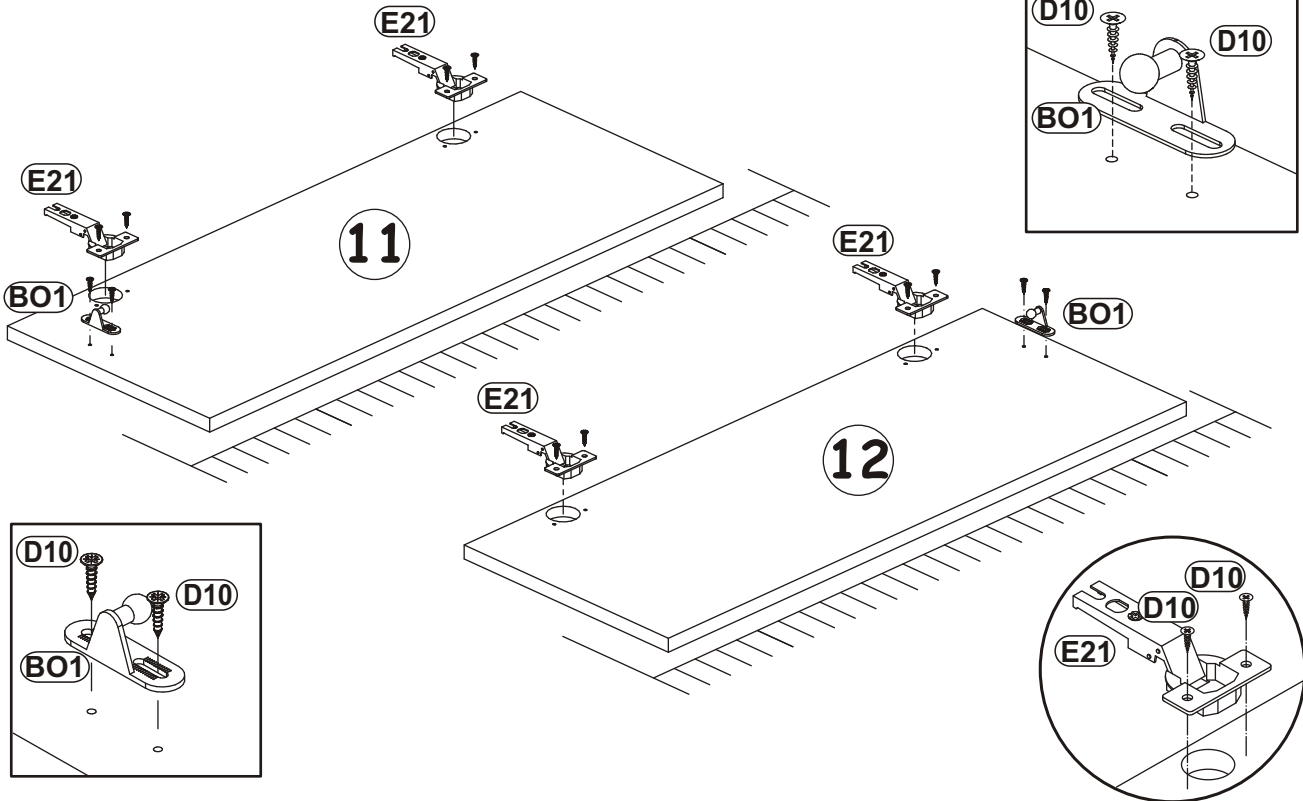


4

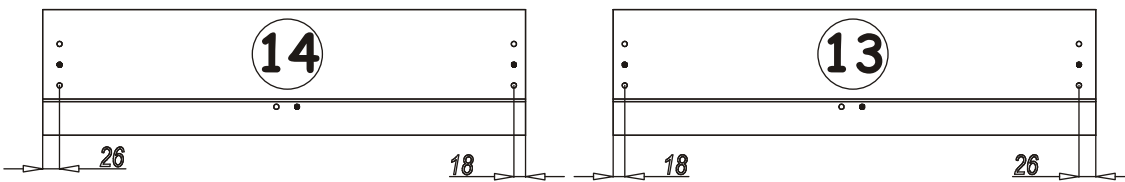
BO1	
x2	

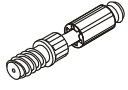
E21	
x4	Ø35 H=0

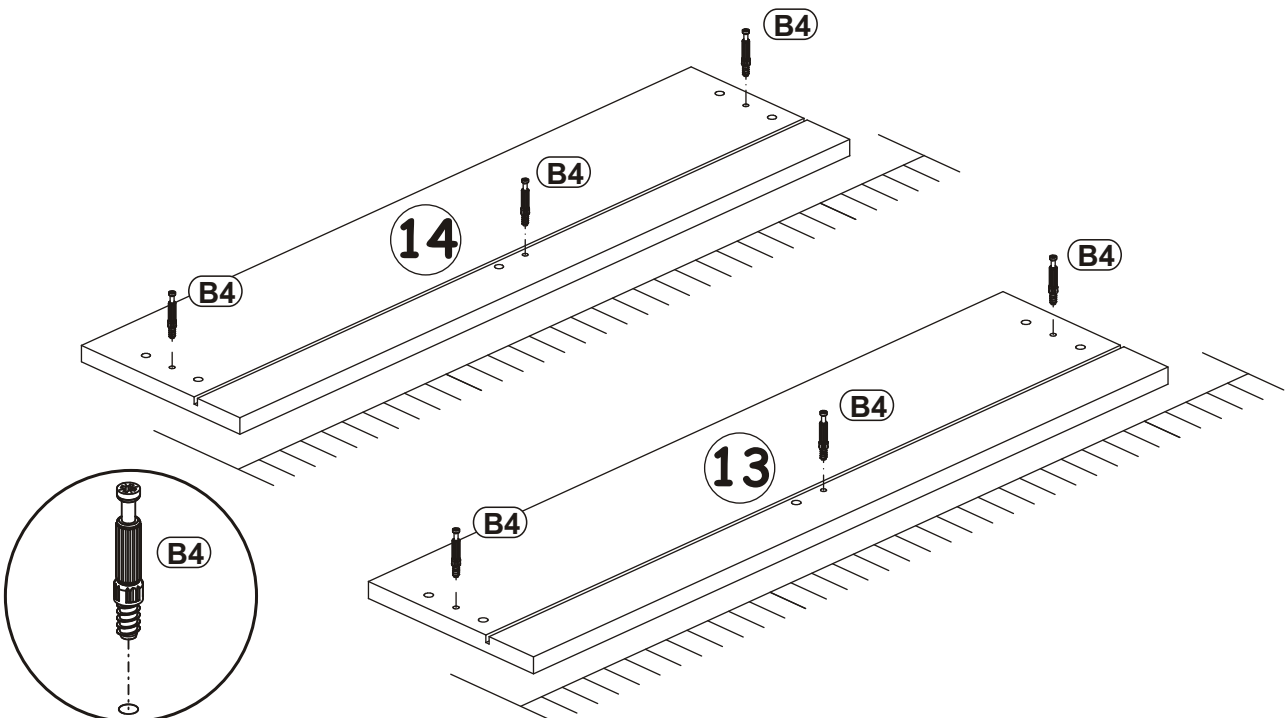
D10	
x12	USØ3,5x13





5




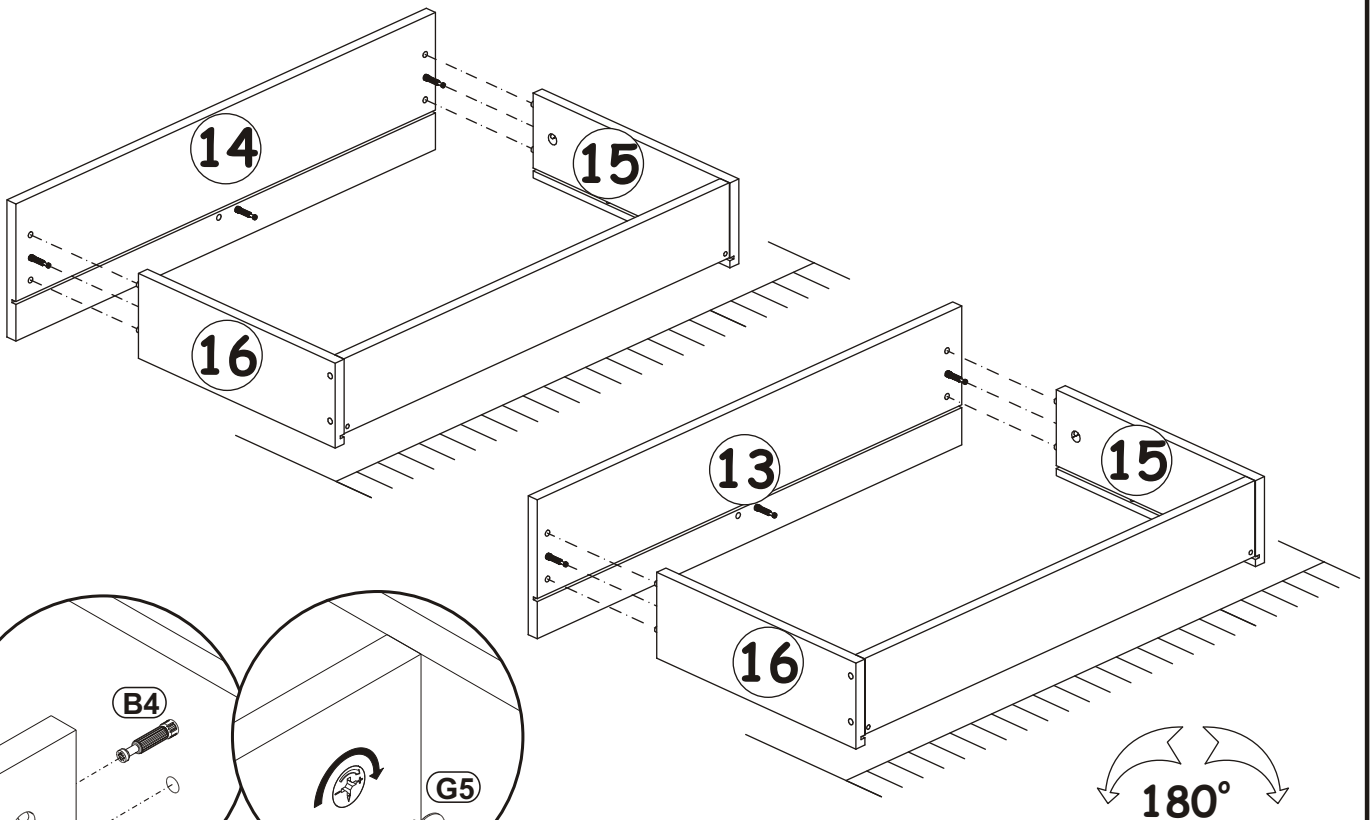
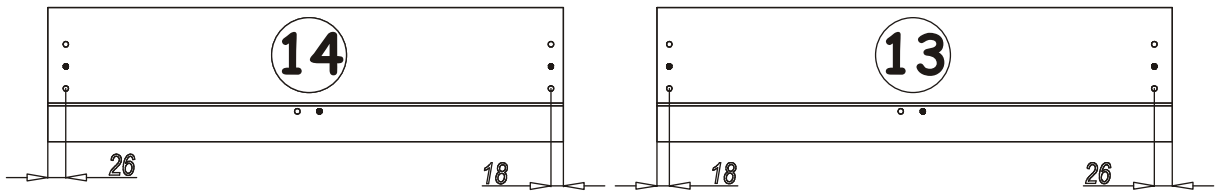
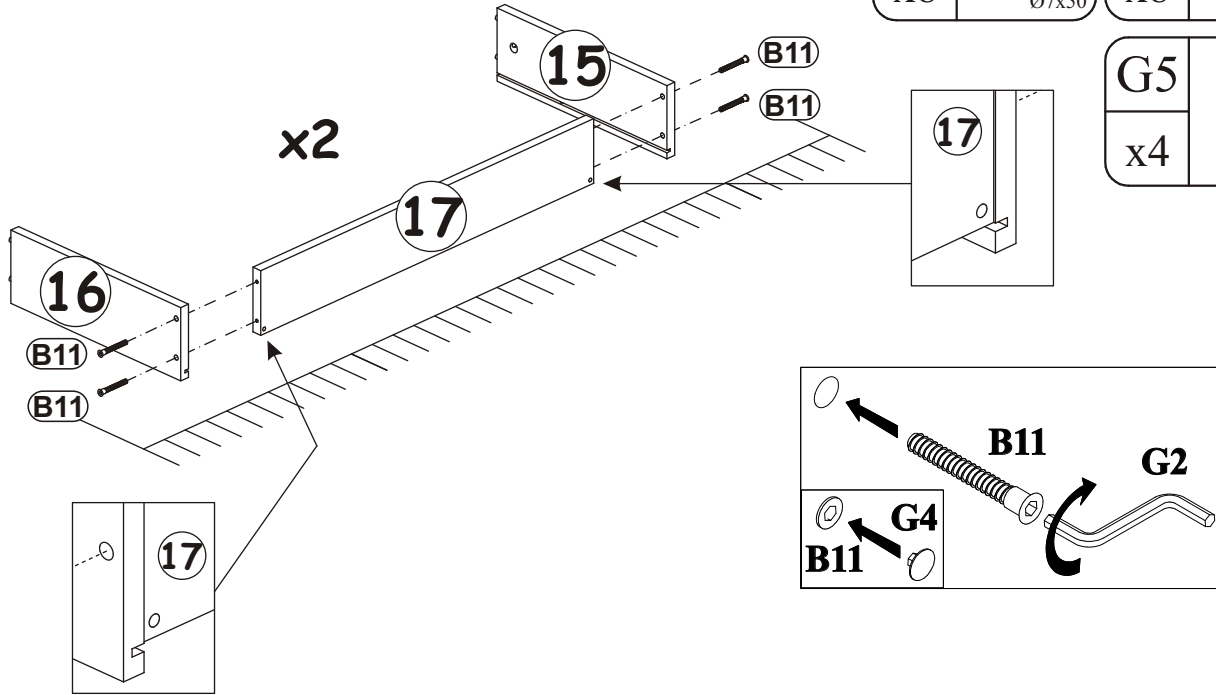
B4	
x6	




6


B11		G4	
x8	Ø7x50	x8	


G5	
x4	

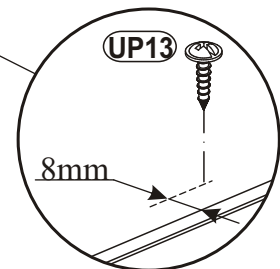
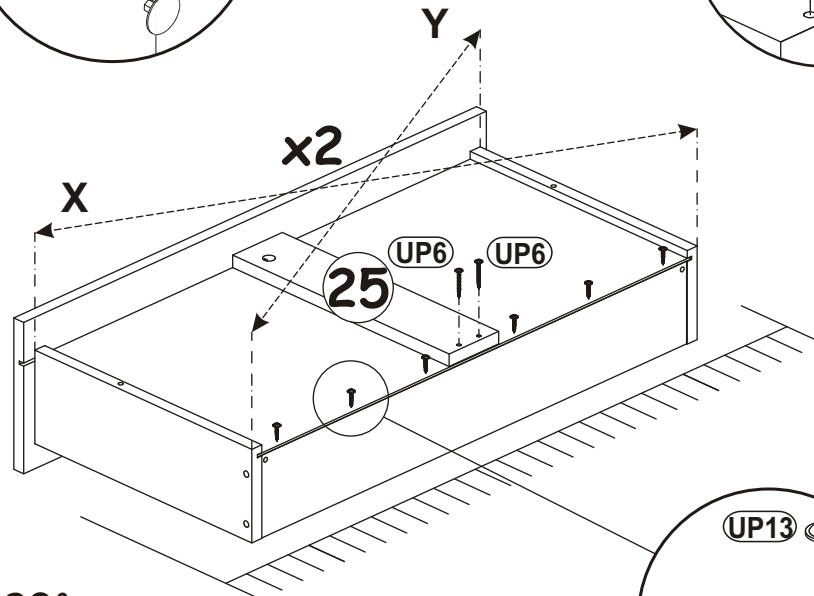
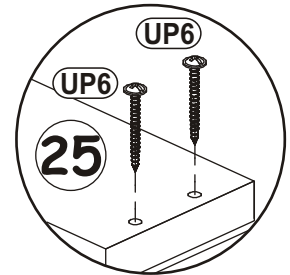
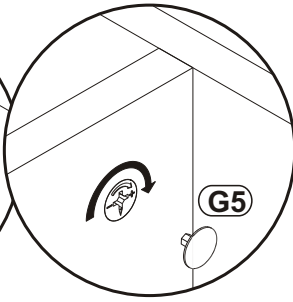
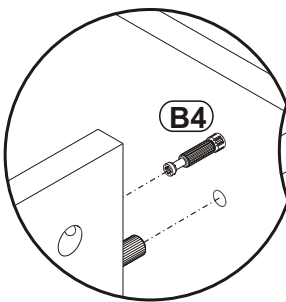
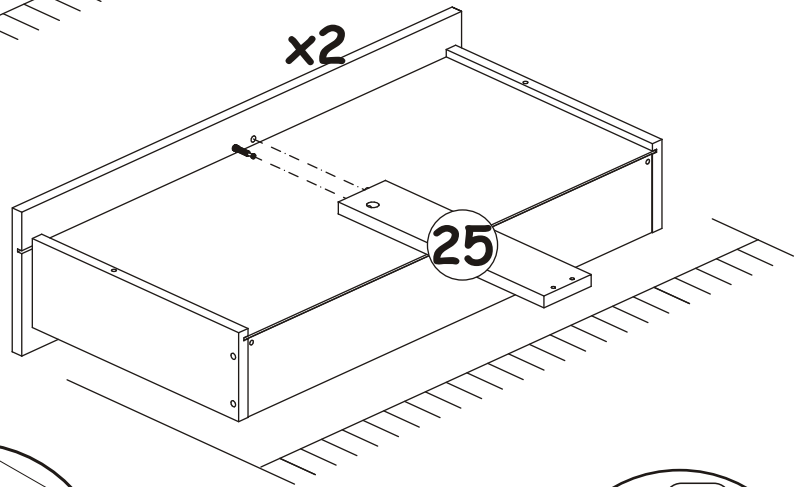
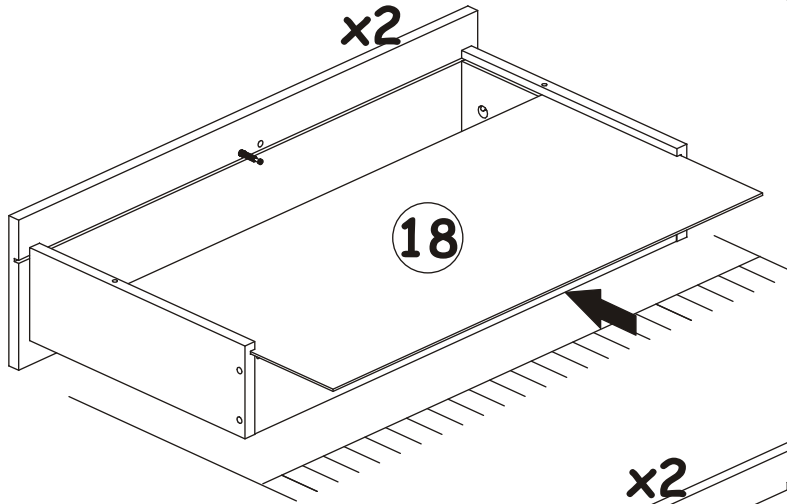


7

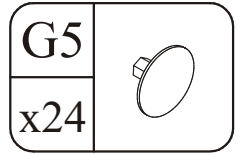
UP13	
x12	UP03x16

UP6	
x4	UP04x30

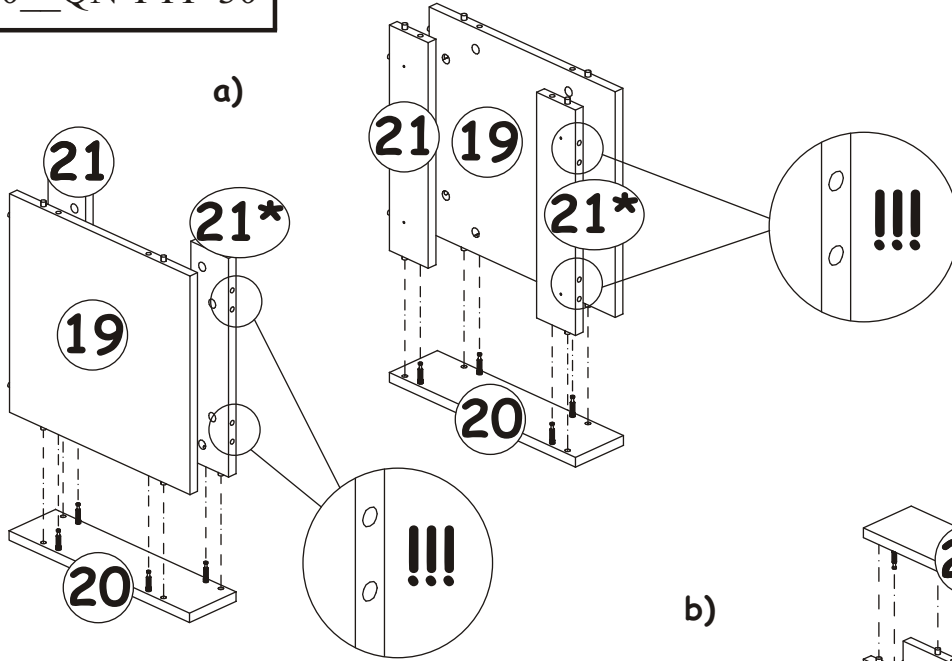
G5	
x2	



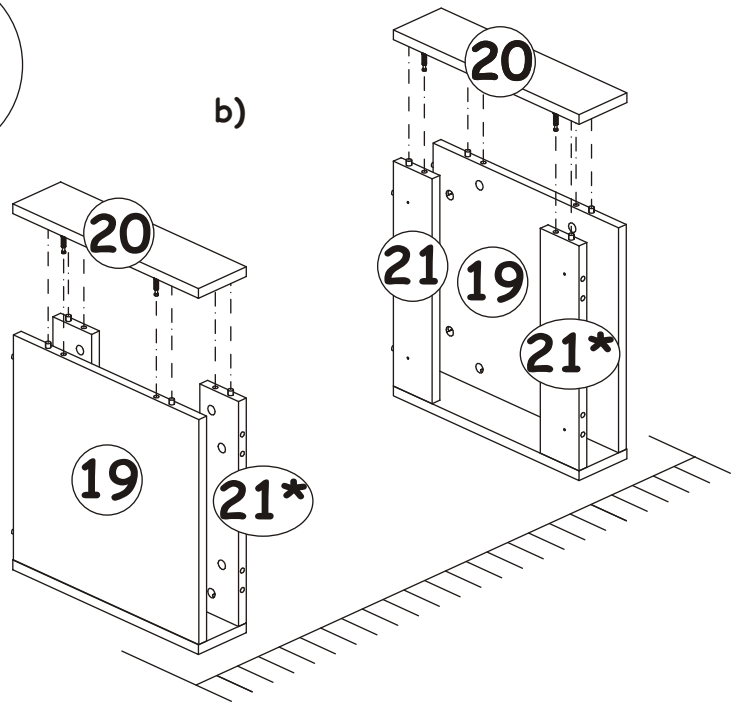
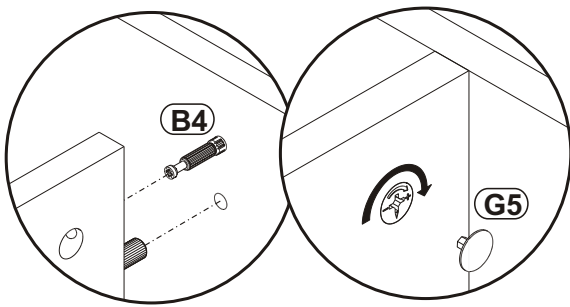
8



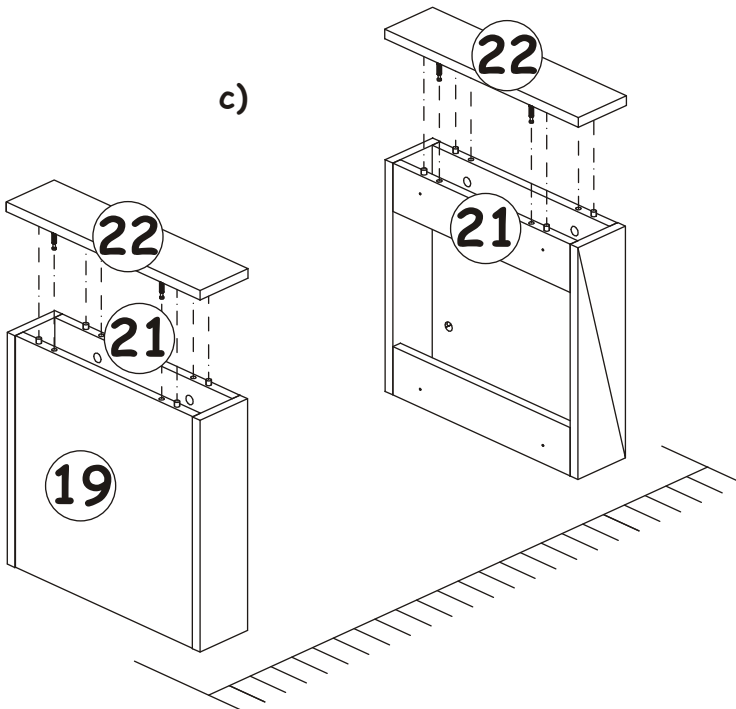
a)



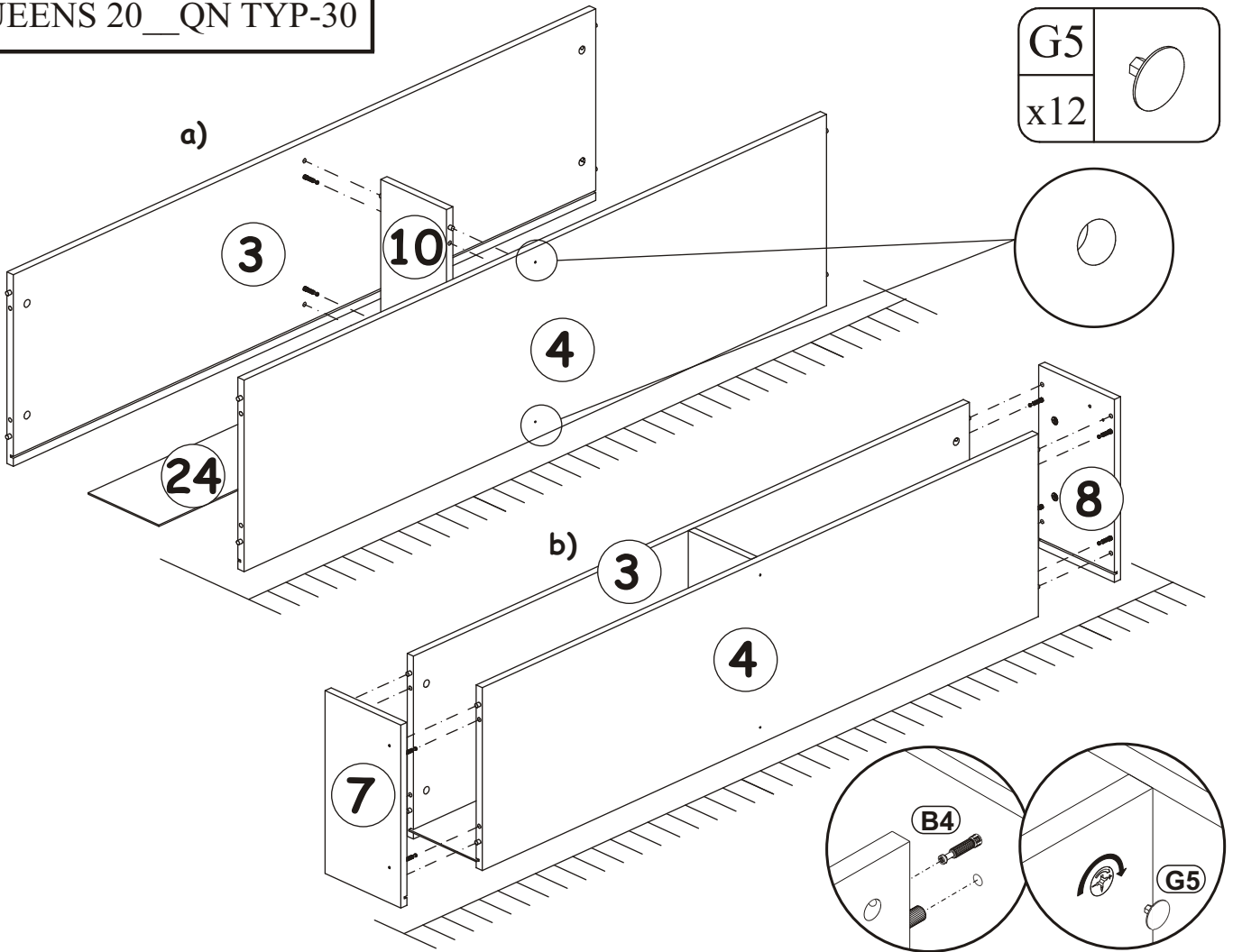
b)



c)

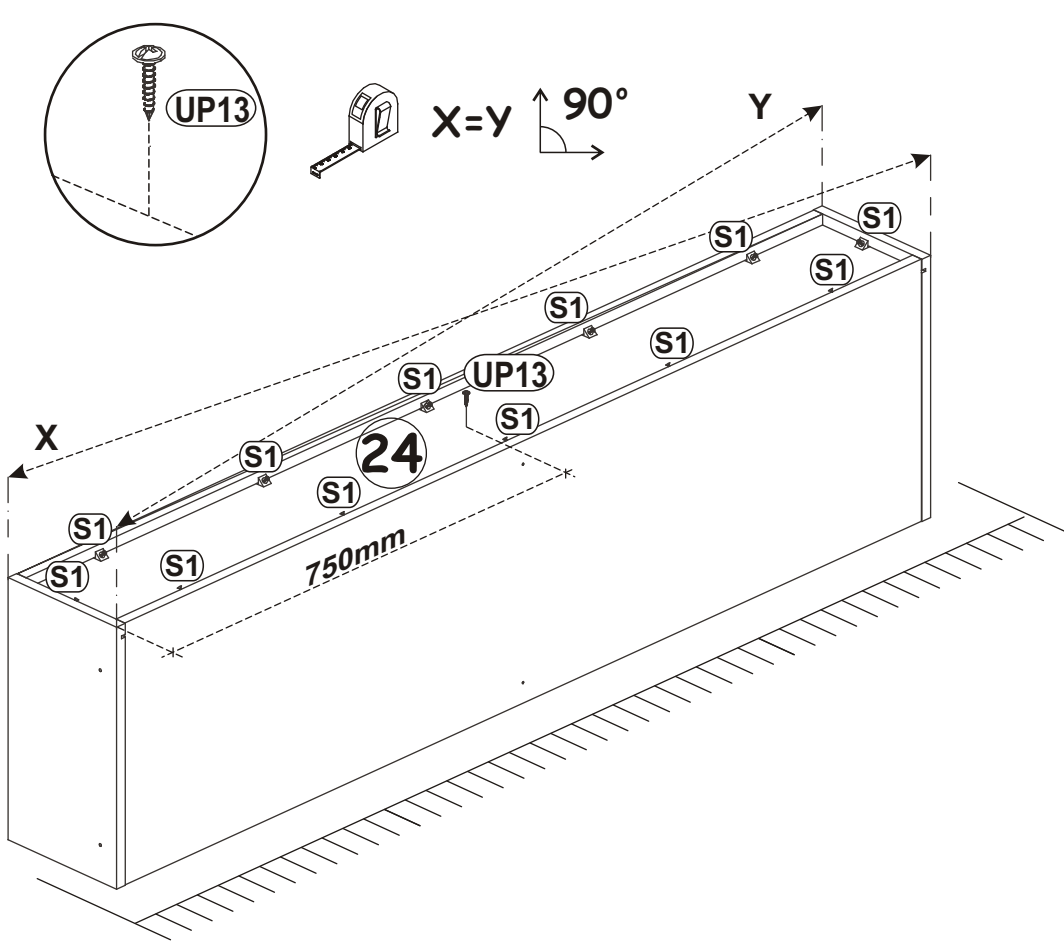


9



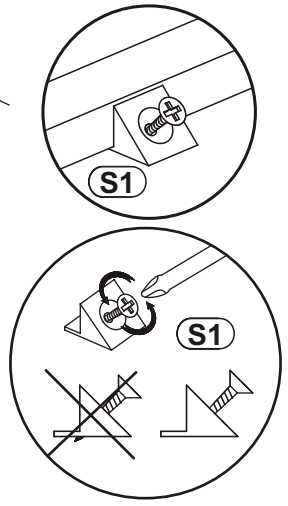
G5	
x12	

10

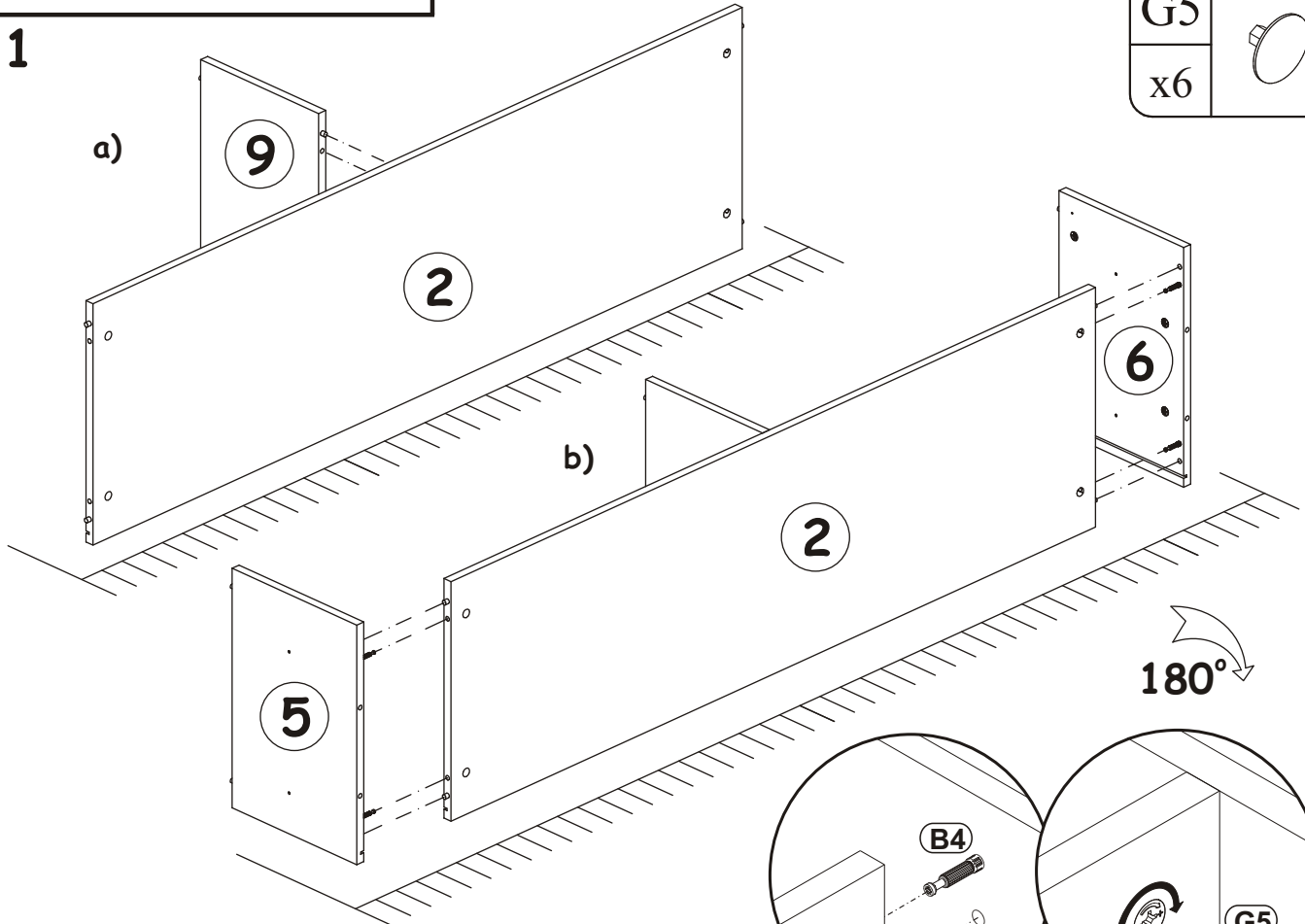
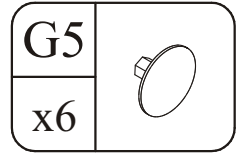


UP13	
x1	UPØ3x16

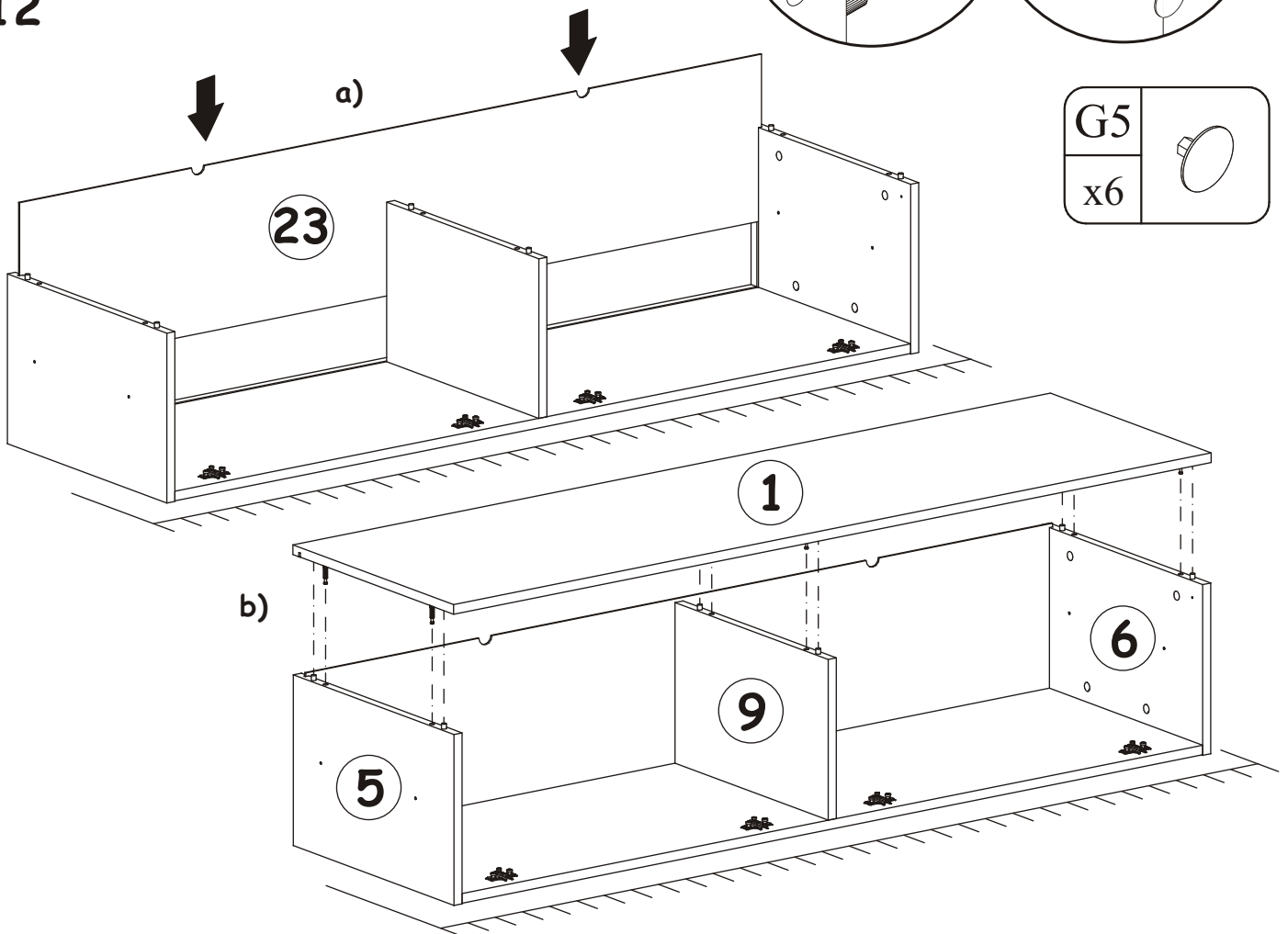
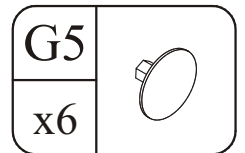
S1	
x12	



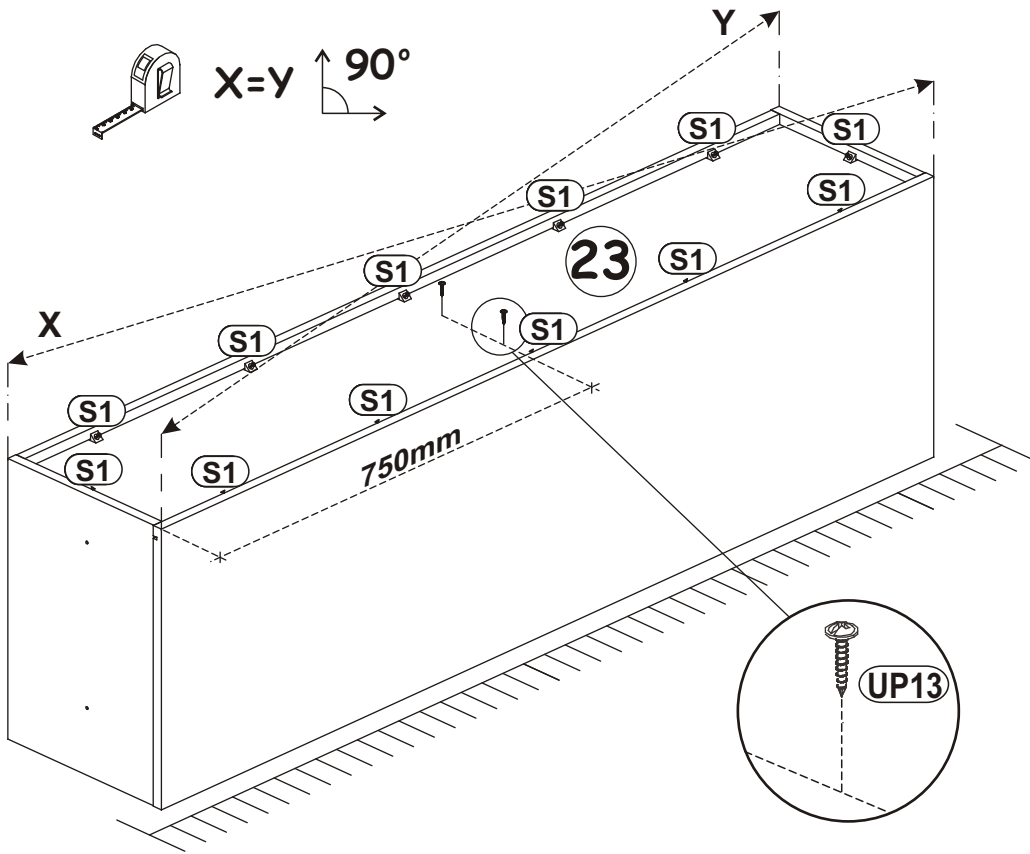
11



12

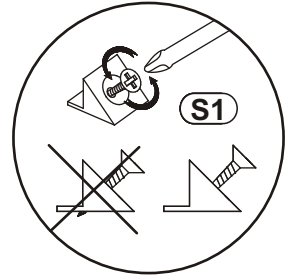
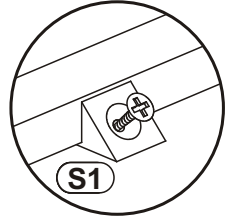


13



UP13	
x2	UPØ3x16

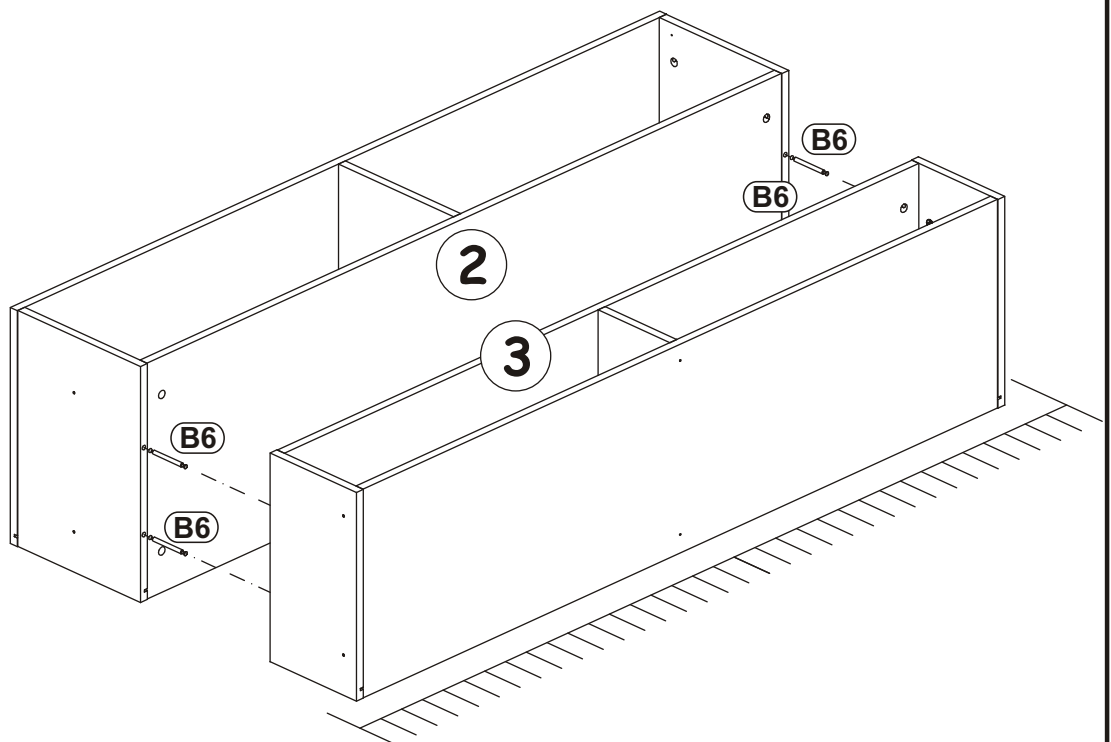
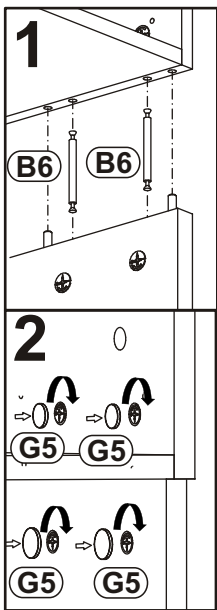
S1	
x12	




14

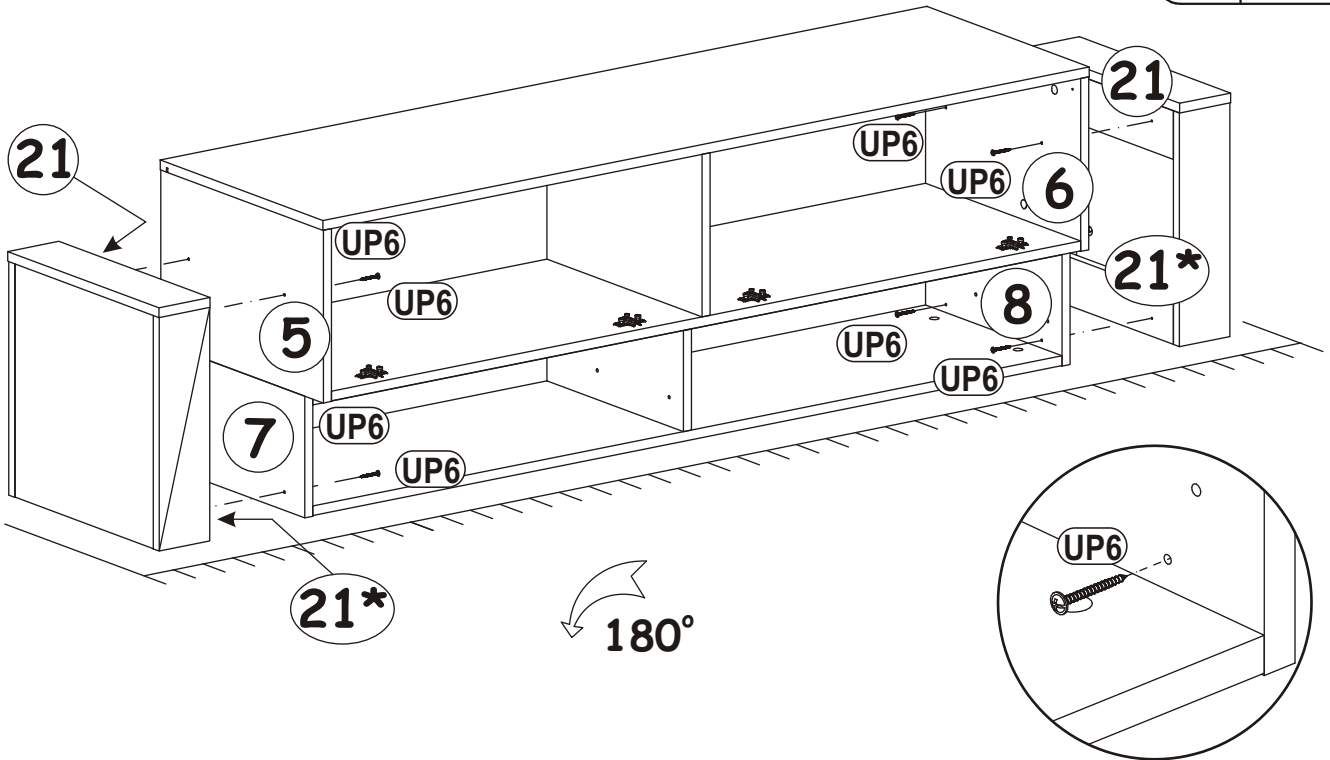
B6	
x4	Ø7x76

G5	
x8	





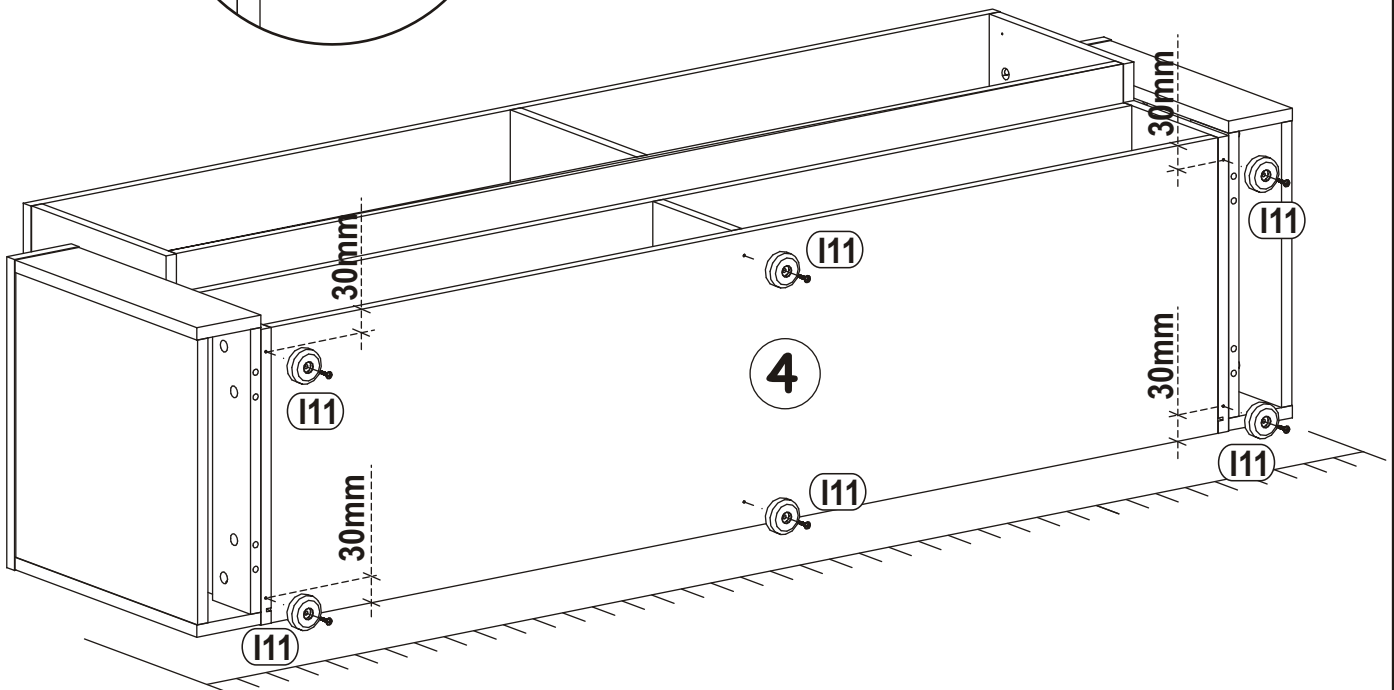
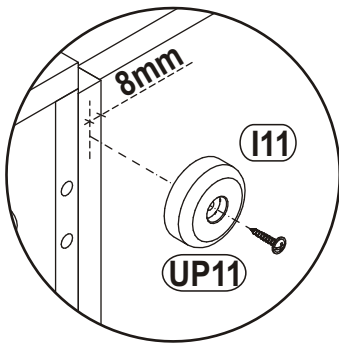
15

UP6	
x8	UPØ4x30

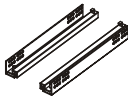
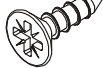
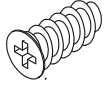


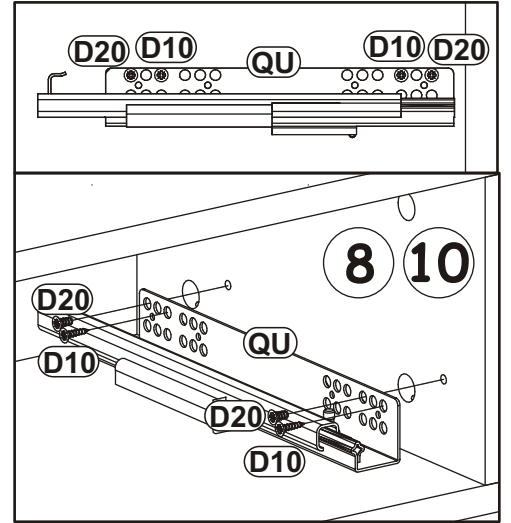
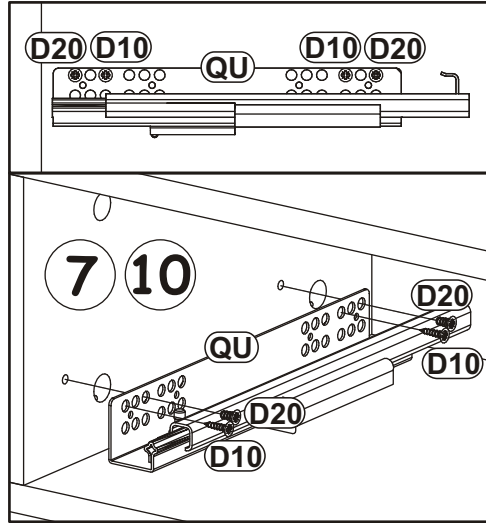
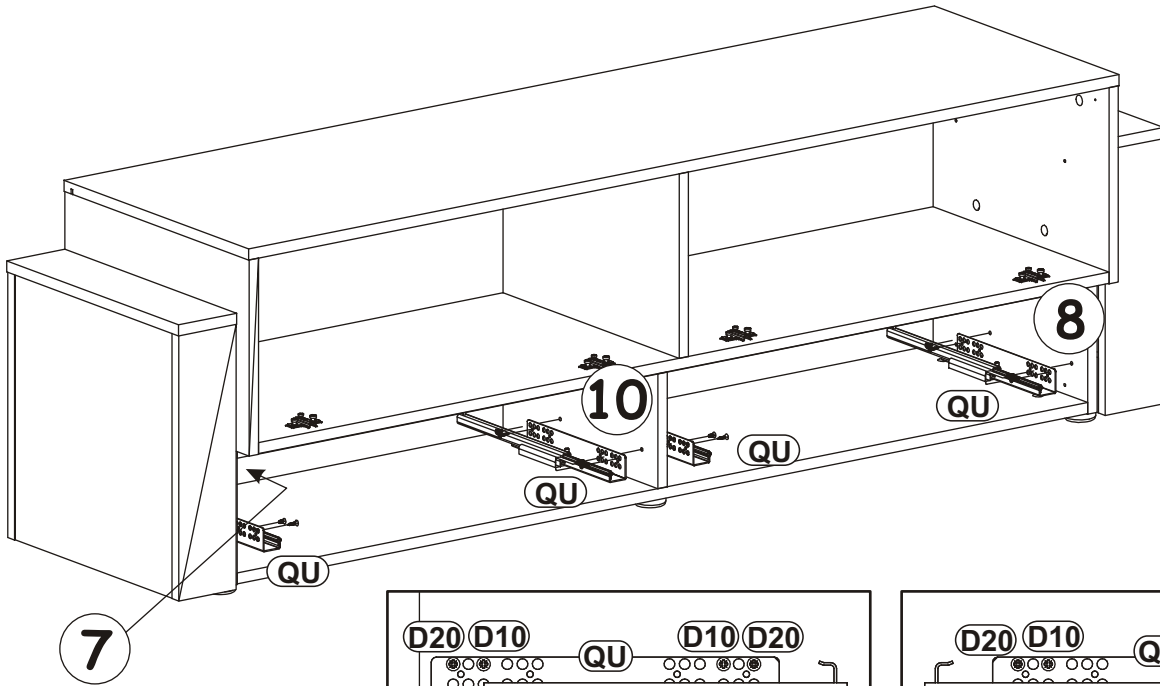
16

I11		UP11	
x6	Ø45, h=15	x6	UPØ4x20

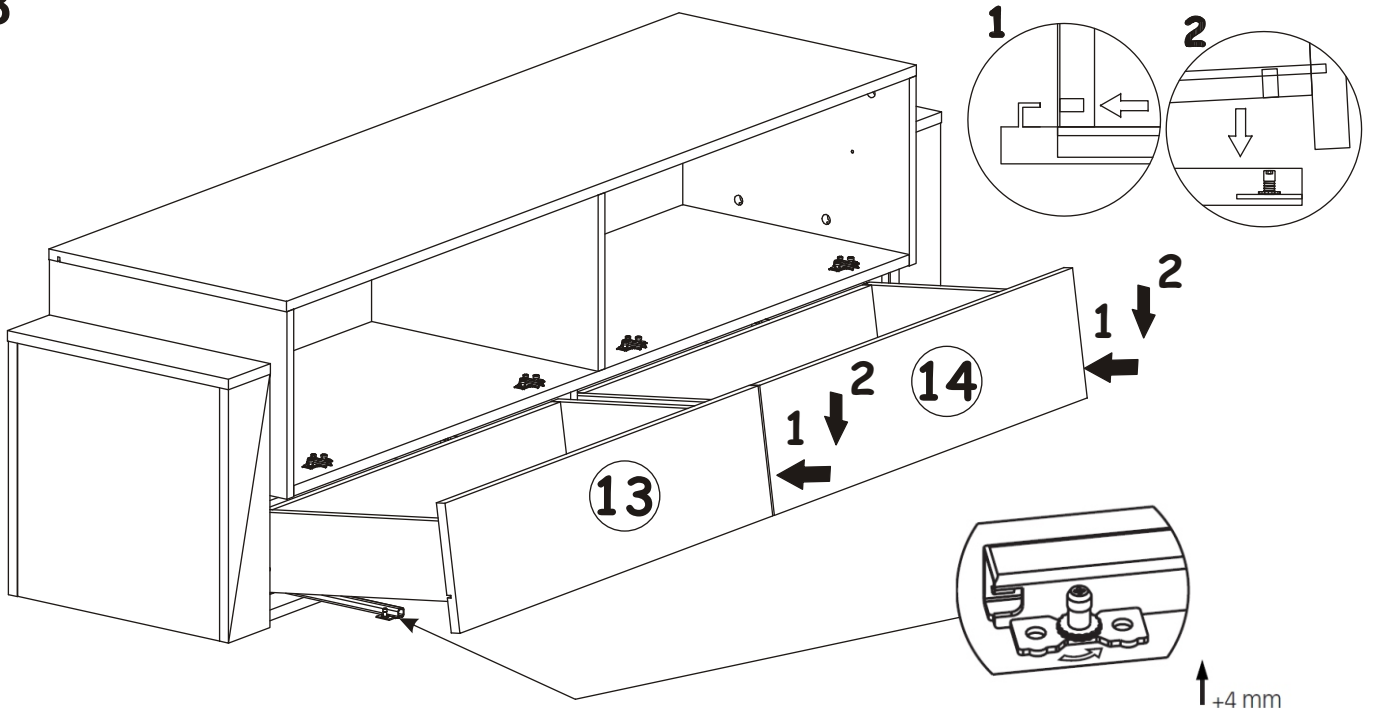


17

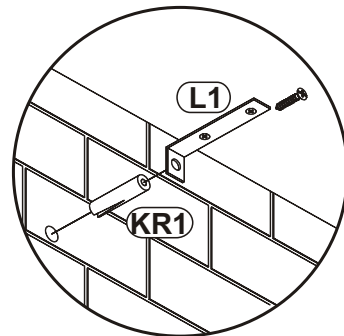
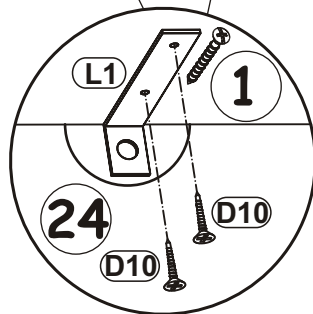
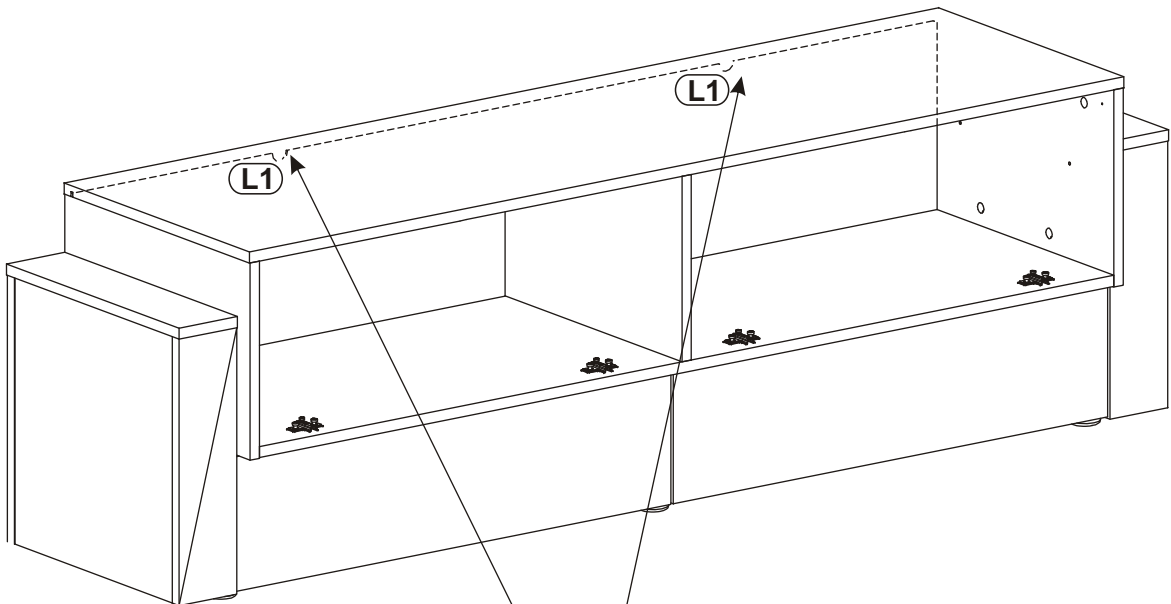
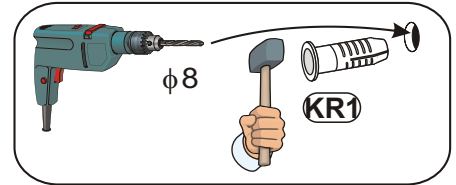
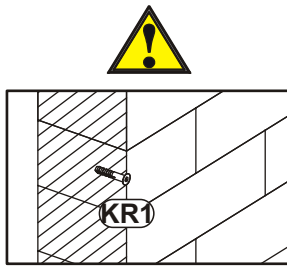
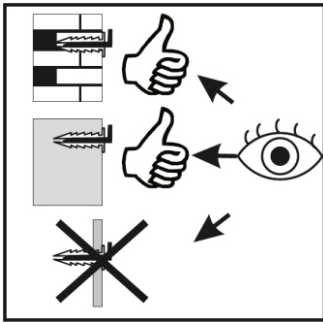
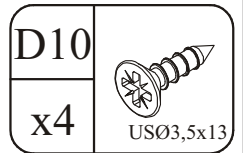
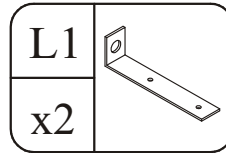
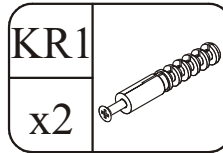
QU		D10		D20	
x2	L-350mm	x8	USØ3,5x13	x8	ESØ6,3x9,5





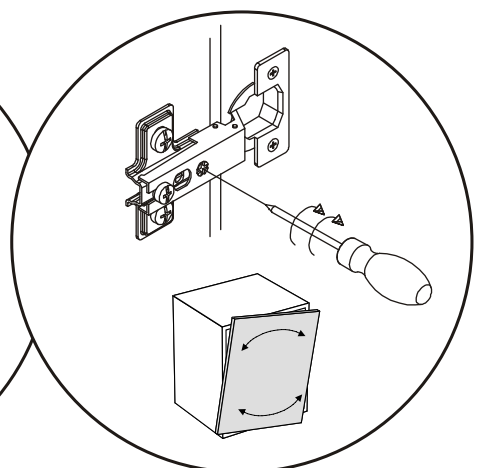
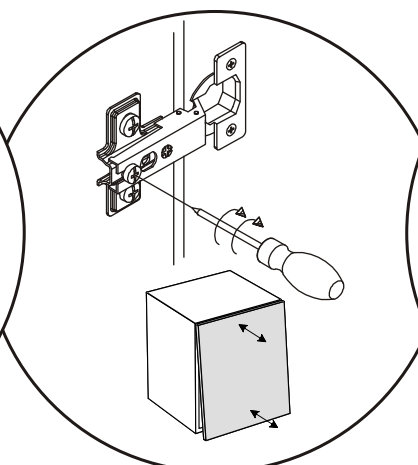
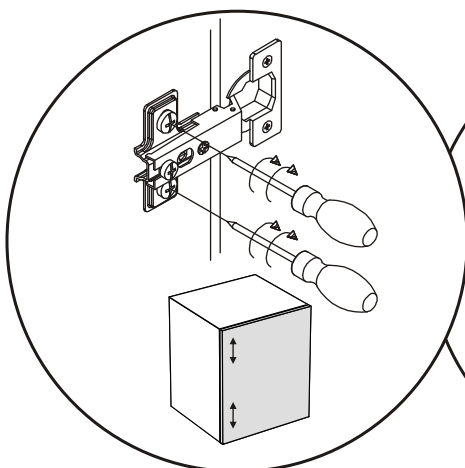
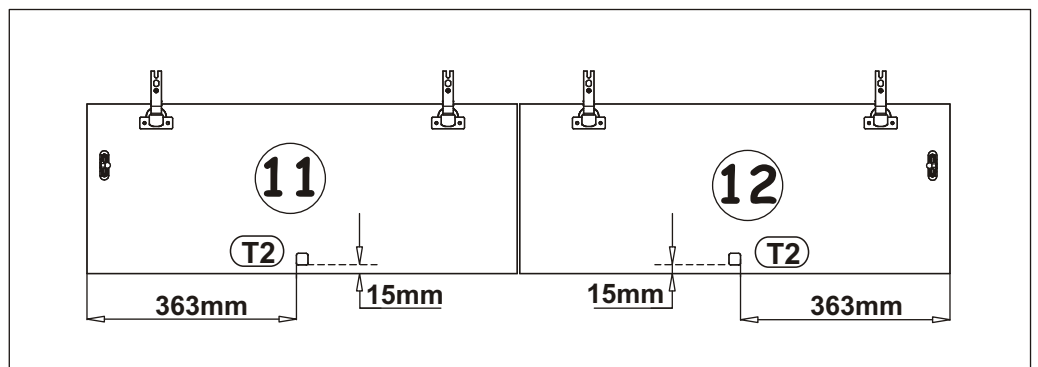
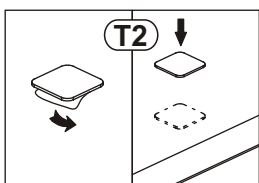
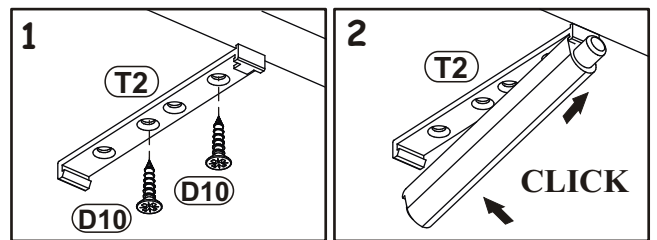
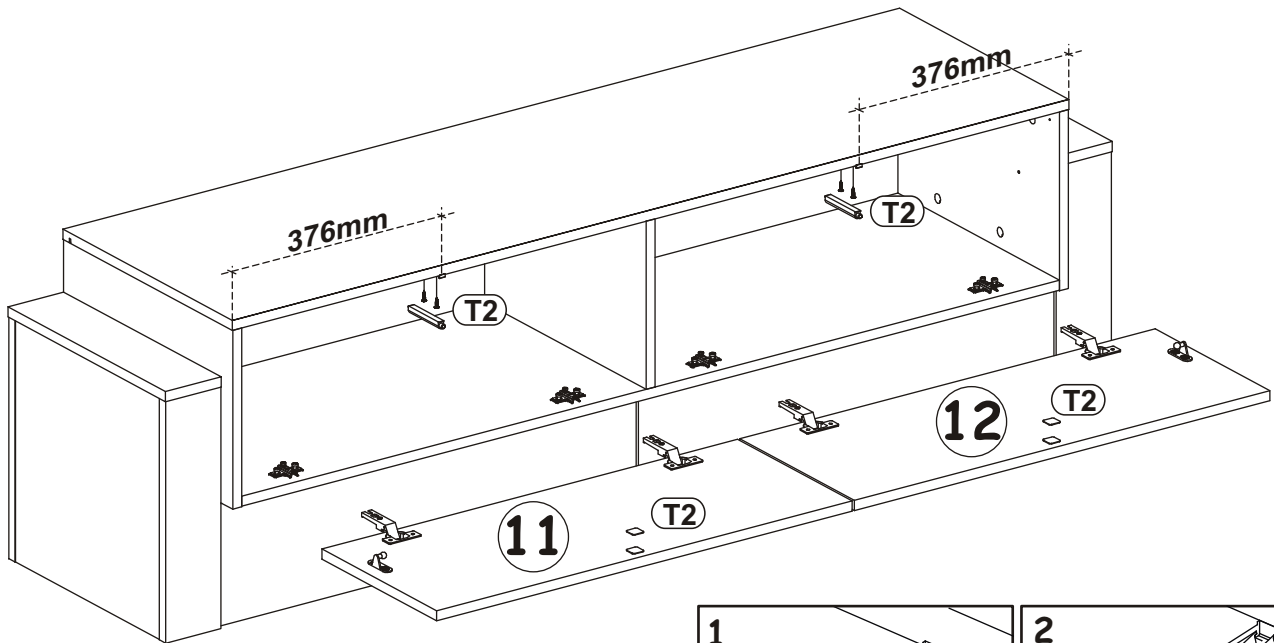
18



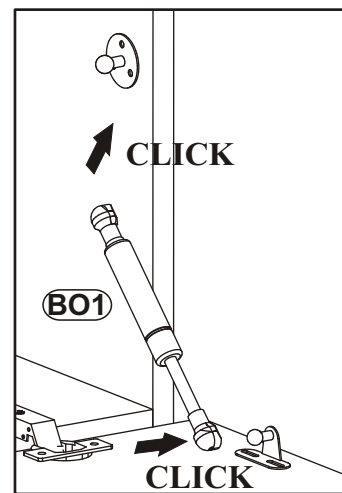
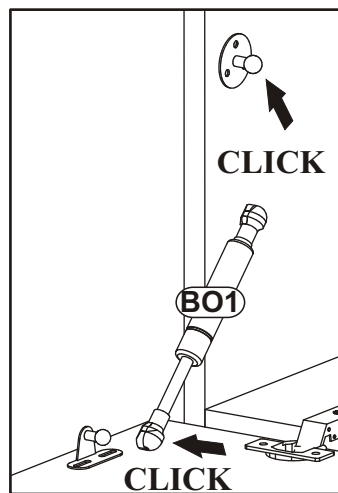
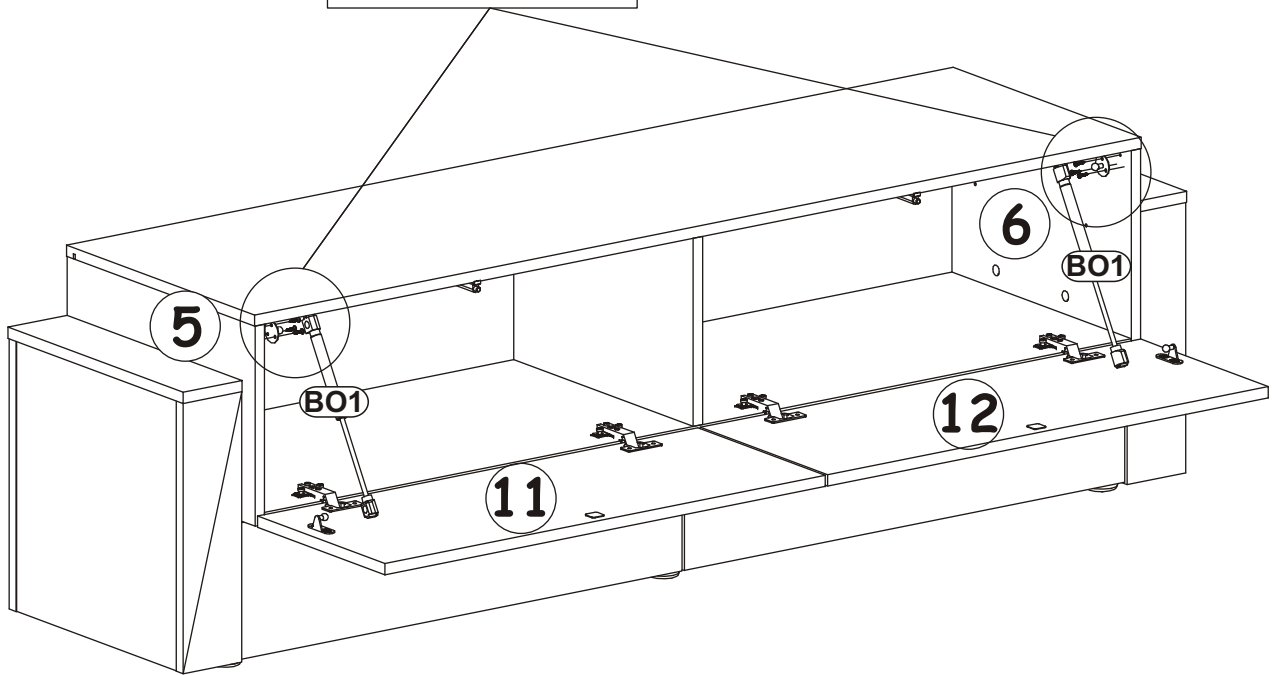
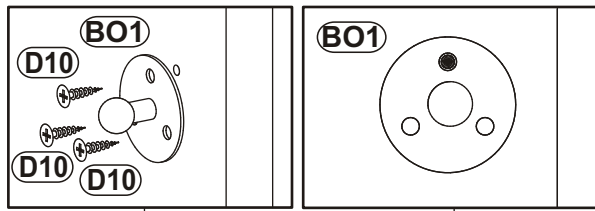
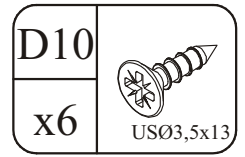
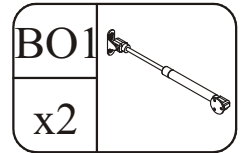
19



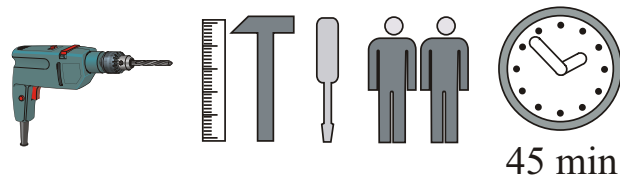
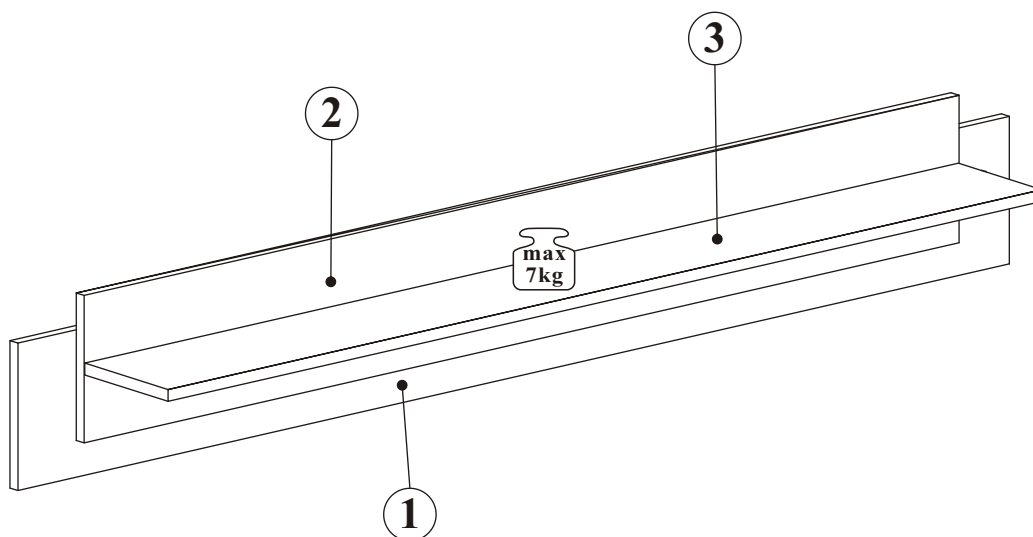
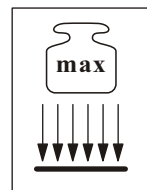
T2		D10	
x2	+ 20x14	x4	USØ3,5x13



21

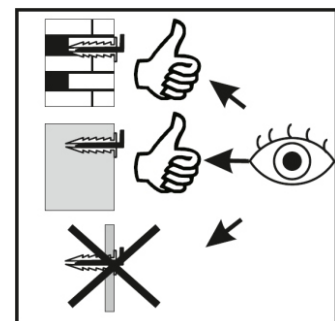
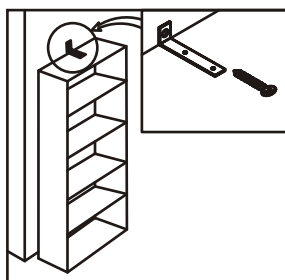
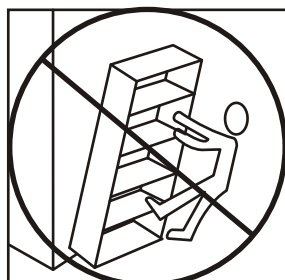
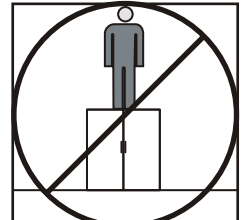
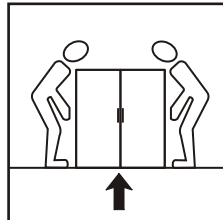
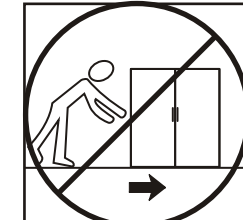
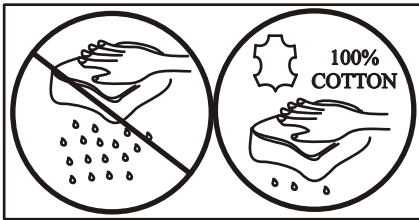
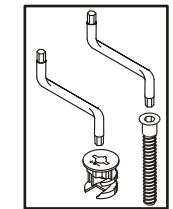
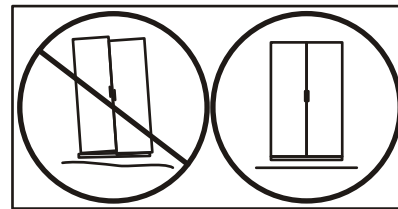
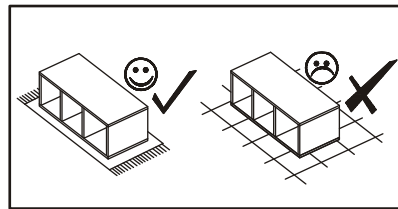
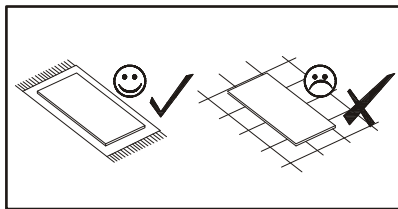
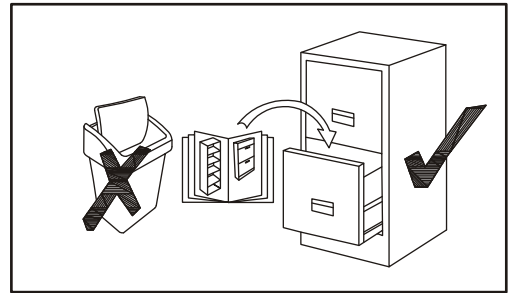
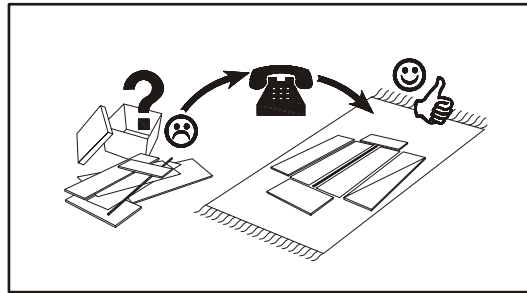
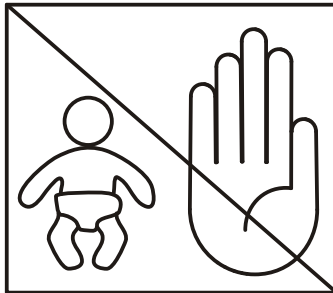
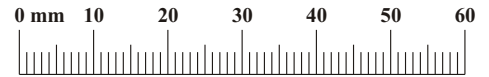
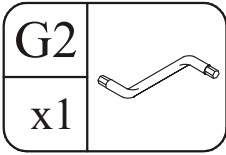
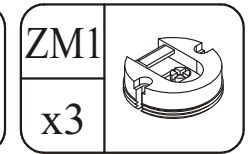
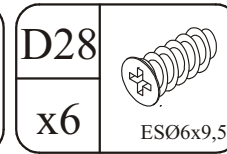
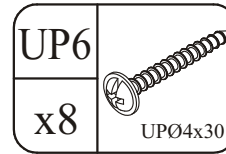
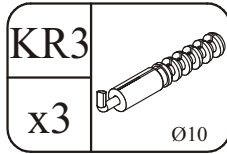
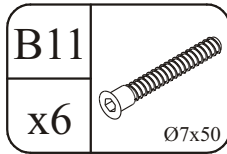
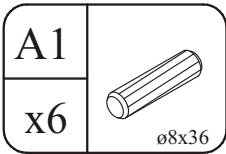


QUEENS 20_QN PÓLKA TYP-70

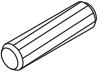


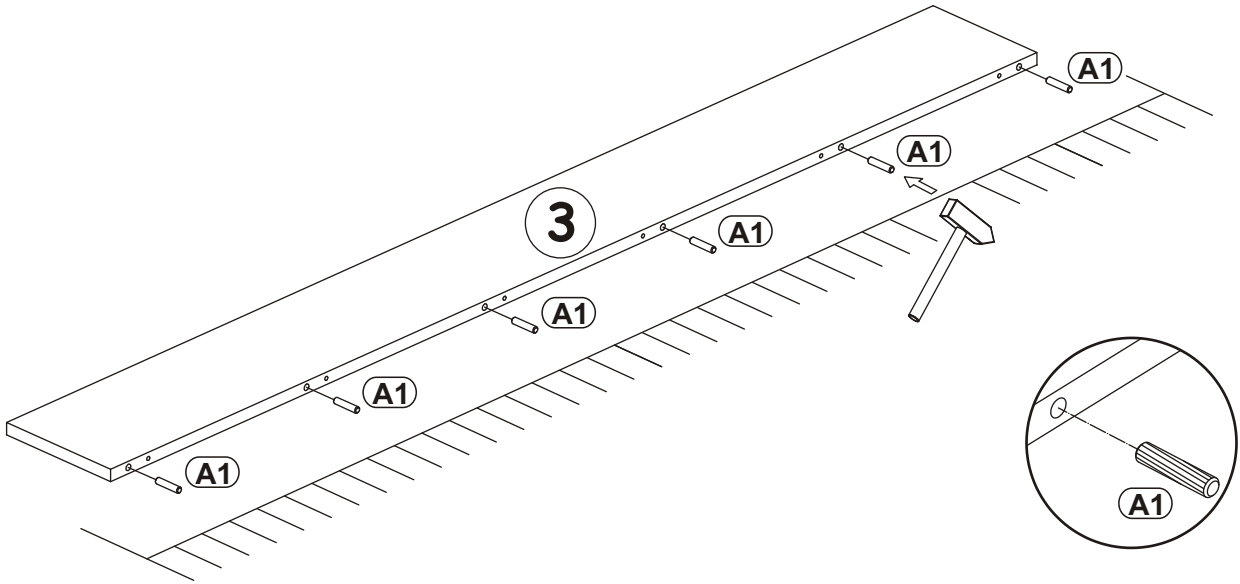
NO	Dim.			Col-No	Qty
1	1700	200	16	5	1
2	1500	200	16	5	1
3	1498	168	16	5	1

QUEENS 20_QN TYP-70

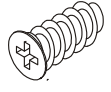


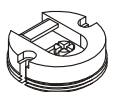
1

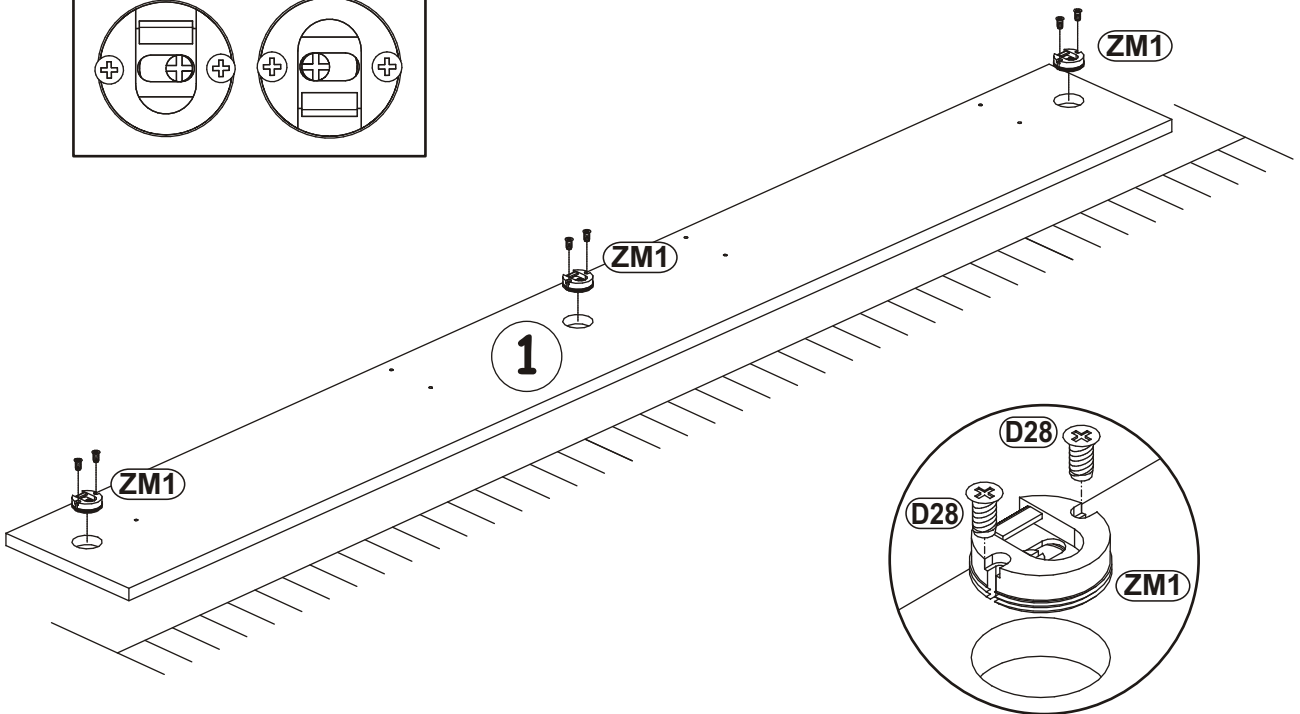
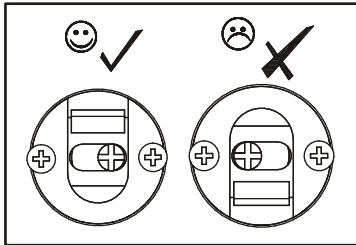
A1	
x6	ø8x36



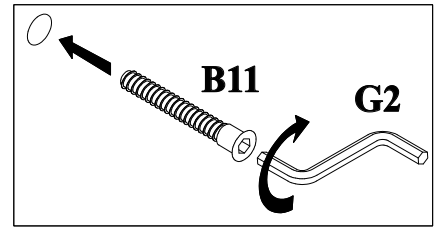
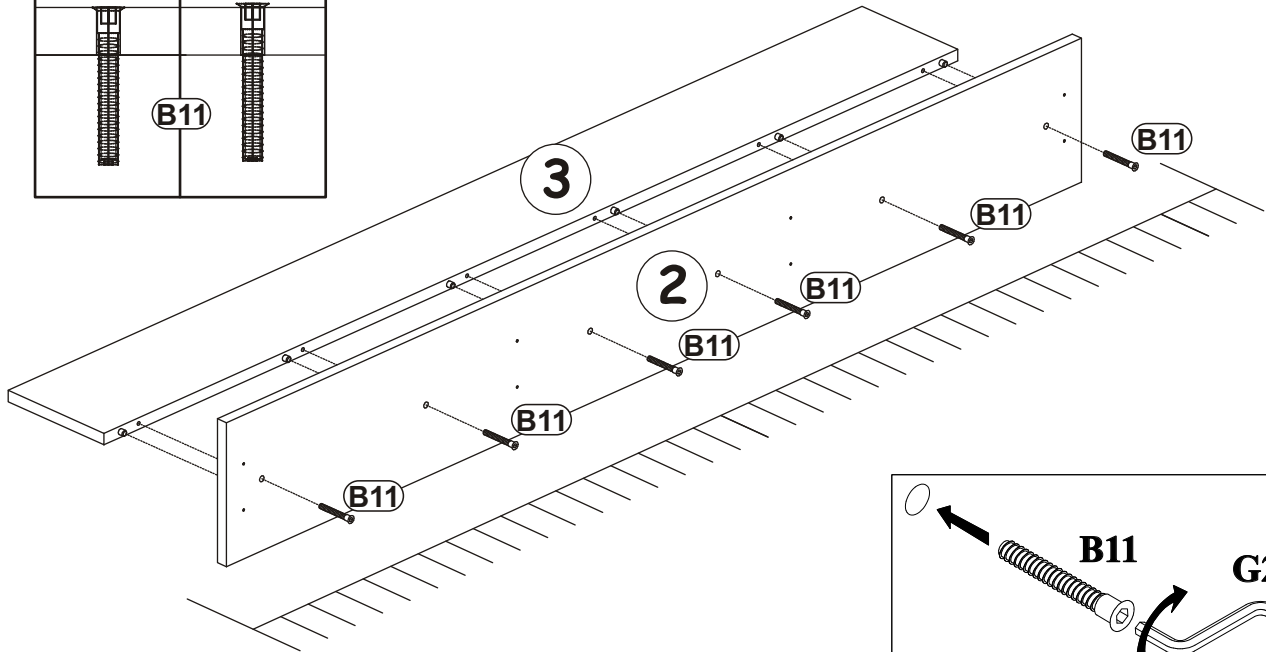
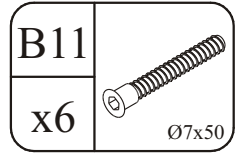
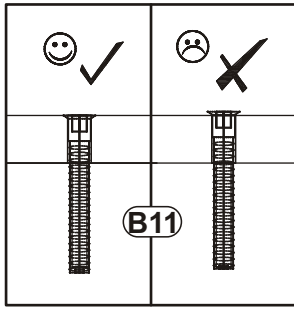
2

D28	
x6	ESØ6x9,5

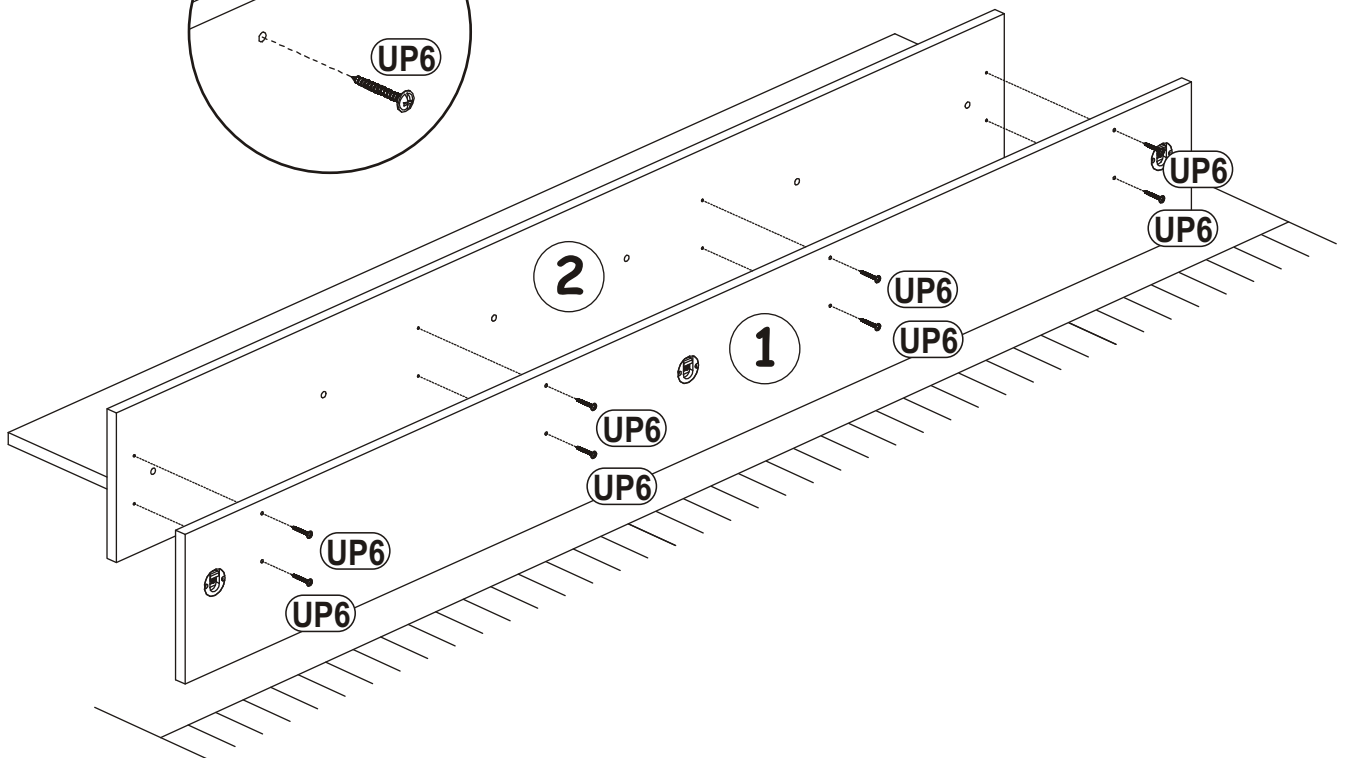
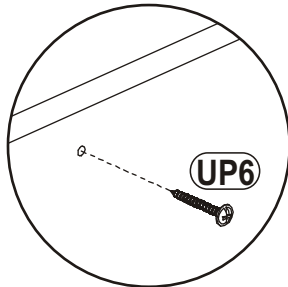
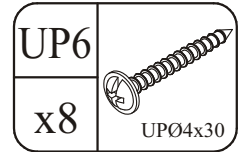
ZM1	
x3	



3



4



5

