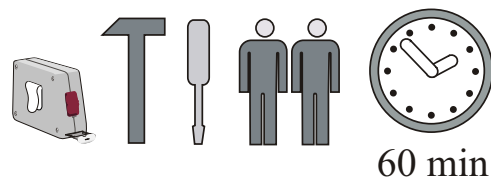
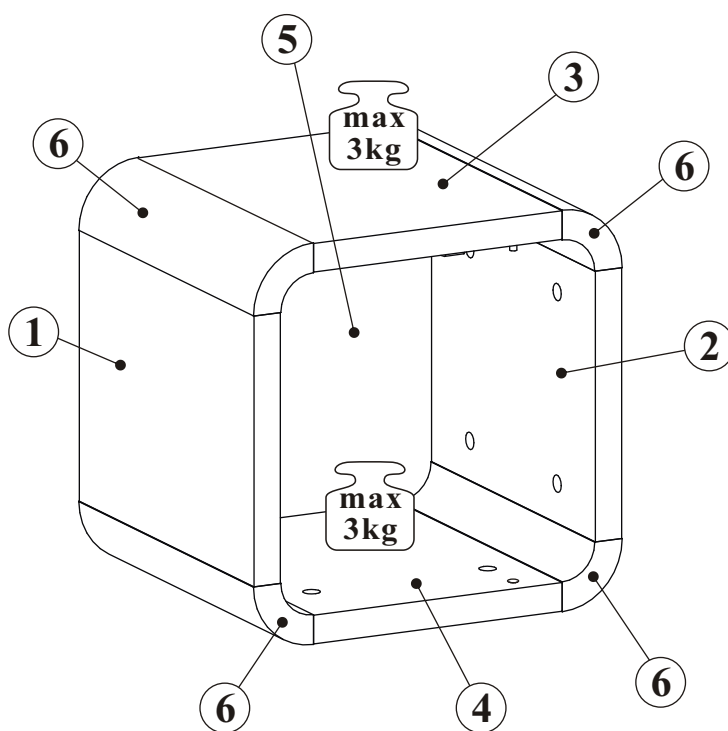
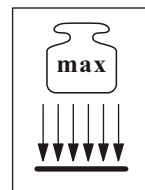
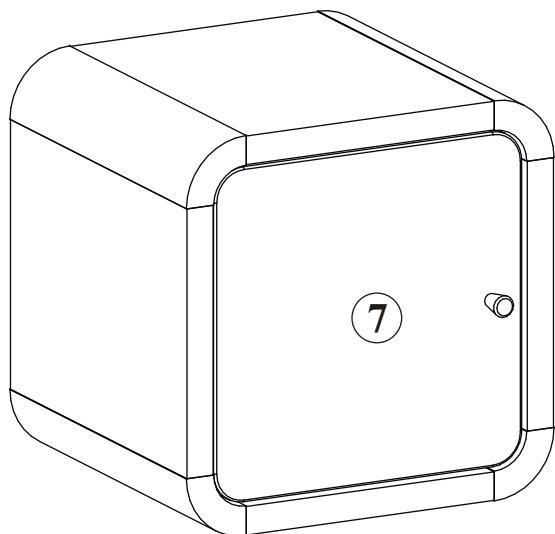


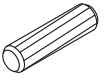
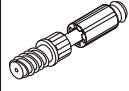
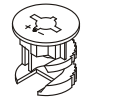

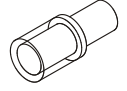
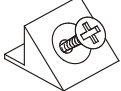
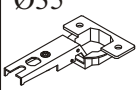
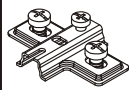
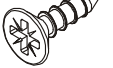
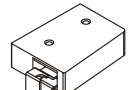

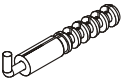




# WALLY TYP 05

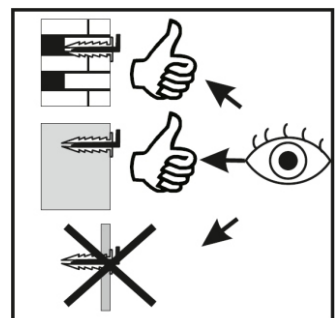
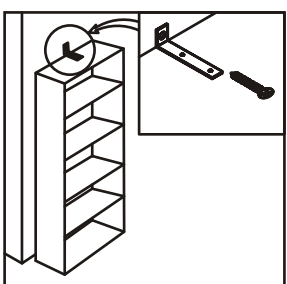
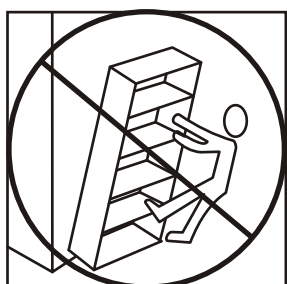
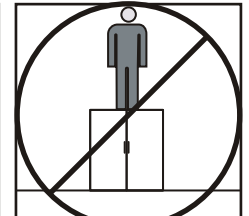
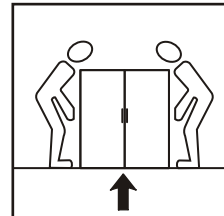
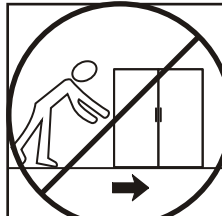
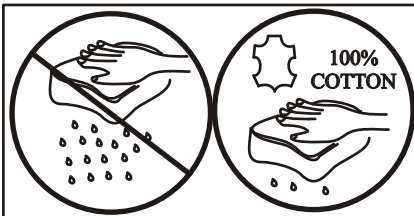
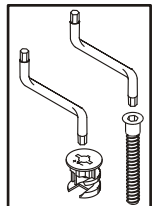
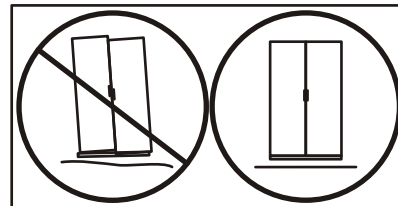
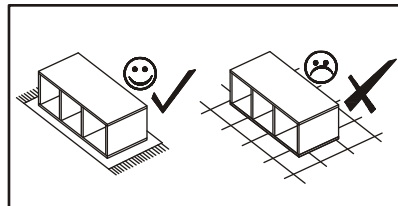
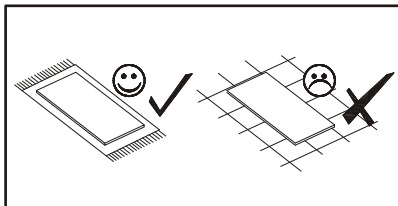
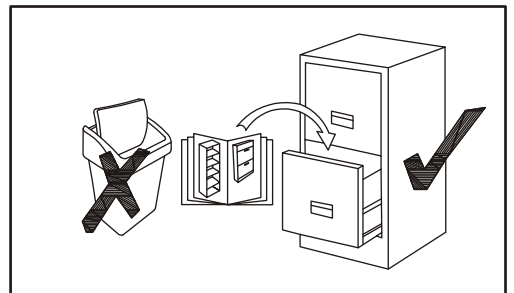
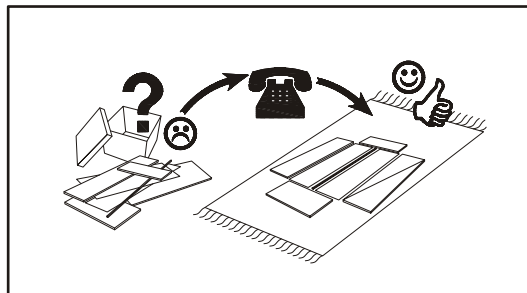
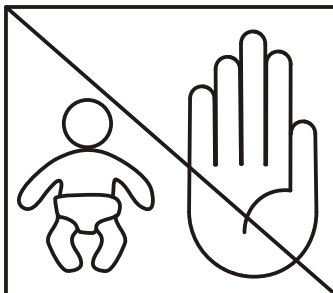
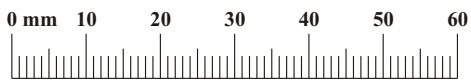


60 min

NO	Dim.			Col.-No	Qty
1	236	320	25	1	1
2	236	320	25	1	1
3	236	320	25	1	1
4	236	320	25	1	1
5	311	311	3	1	1
6	320	80,4	35	1	4
7	293	293	16	1	1


# WALLY TYP 05

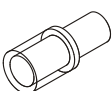
A1 x16  ø8x36	B4 x16 	B16 x16  Ø15x16	G5 x16 	G20 x1 	S1 x4 
E21 x2 Ø35 H=0 	E2 x2 H=0 	D10 x4 USØ3,5x13 	ZR1 x2 	D6 x4 USØ3,5x30 	KR2 x2 
P15 x1 	UP6 x1 UPØ4x30 	Z2 x1 Ø5 	G2 x1 		



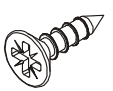
# WALLY TYP 05


## 1

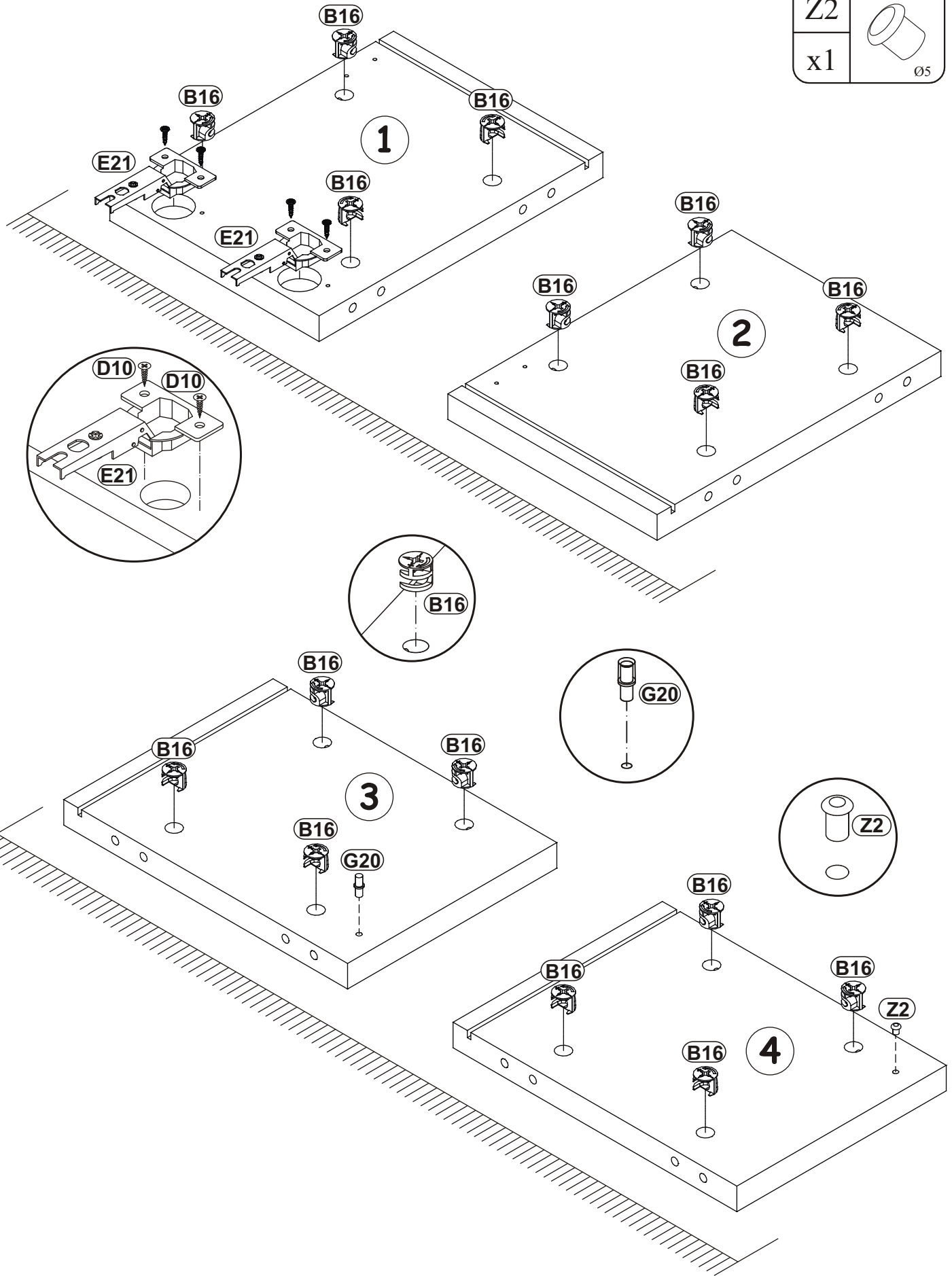
B16	
x16	Ø15x16

G20	
x1	

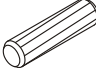
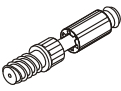
E21	Ø35
x2	H=0

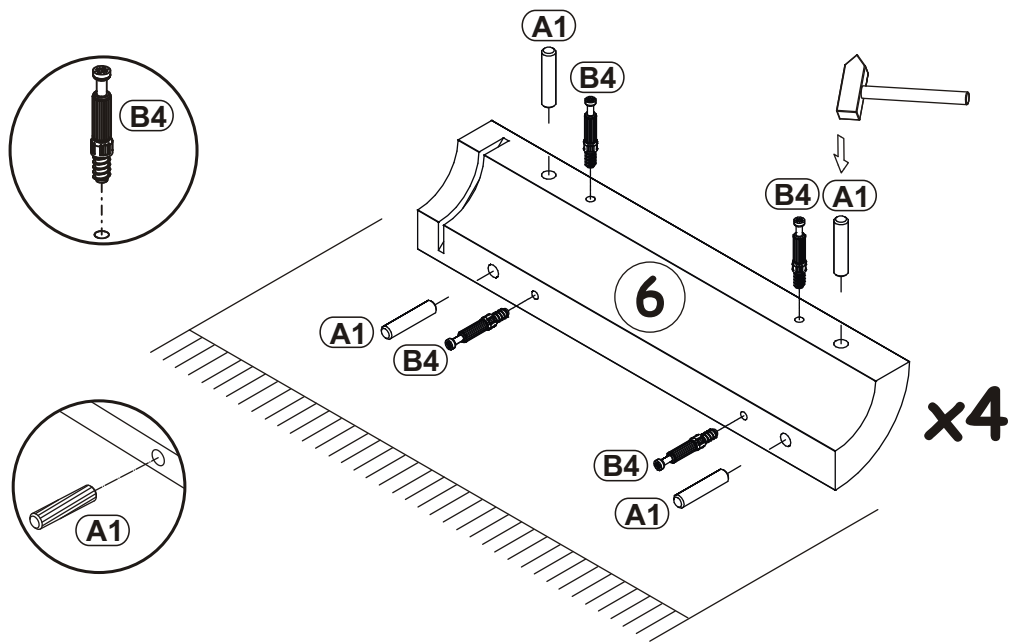
D10	
x4	USØ3,5x13

Z2	
x1	Ø5

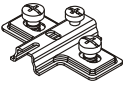


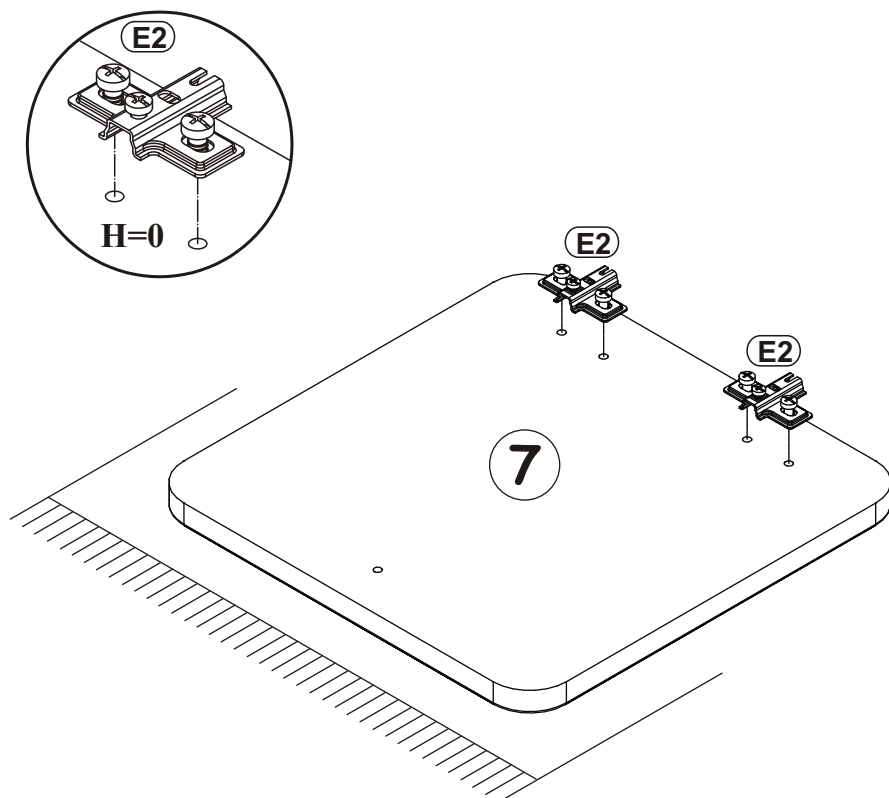
2

A1		B4	
x16	ø8x36	x16	

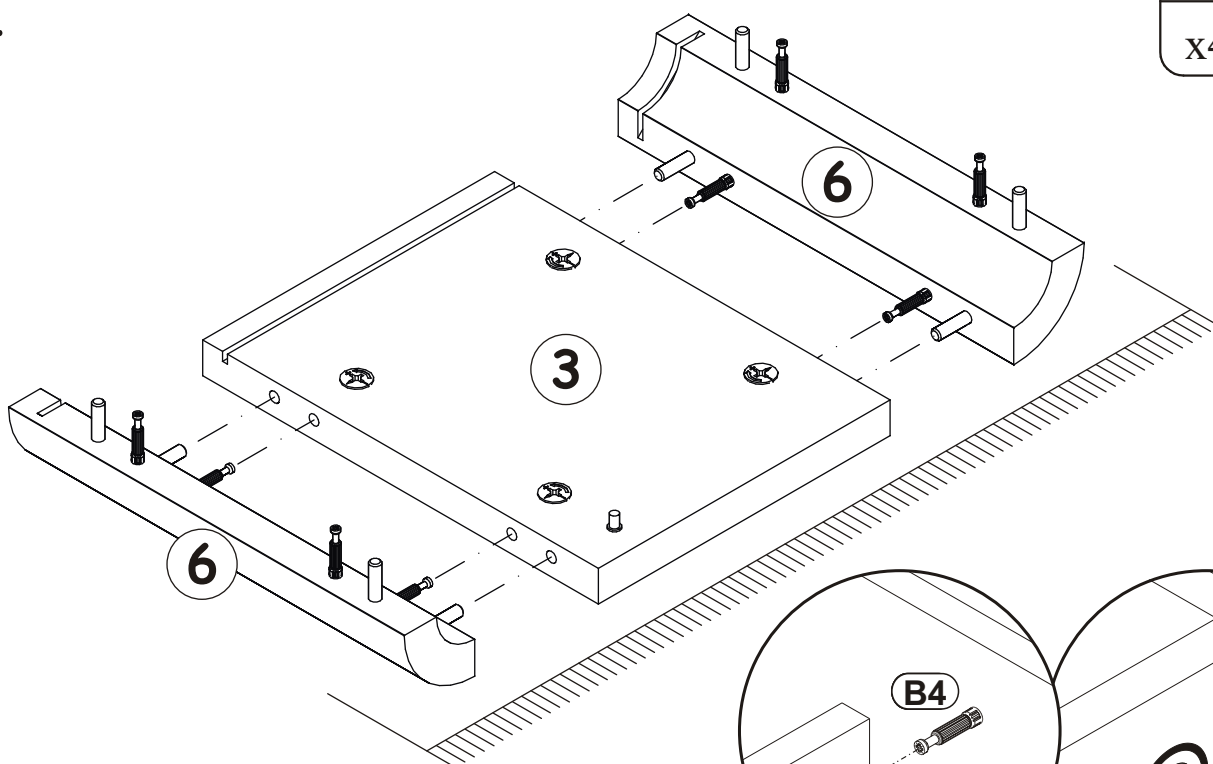



3

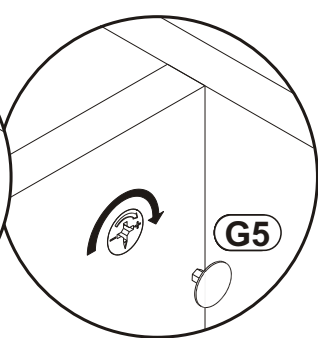
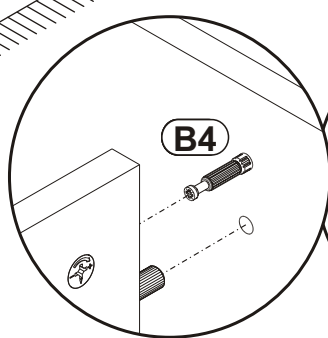
E2	
x2	H=0



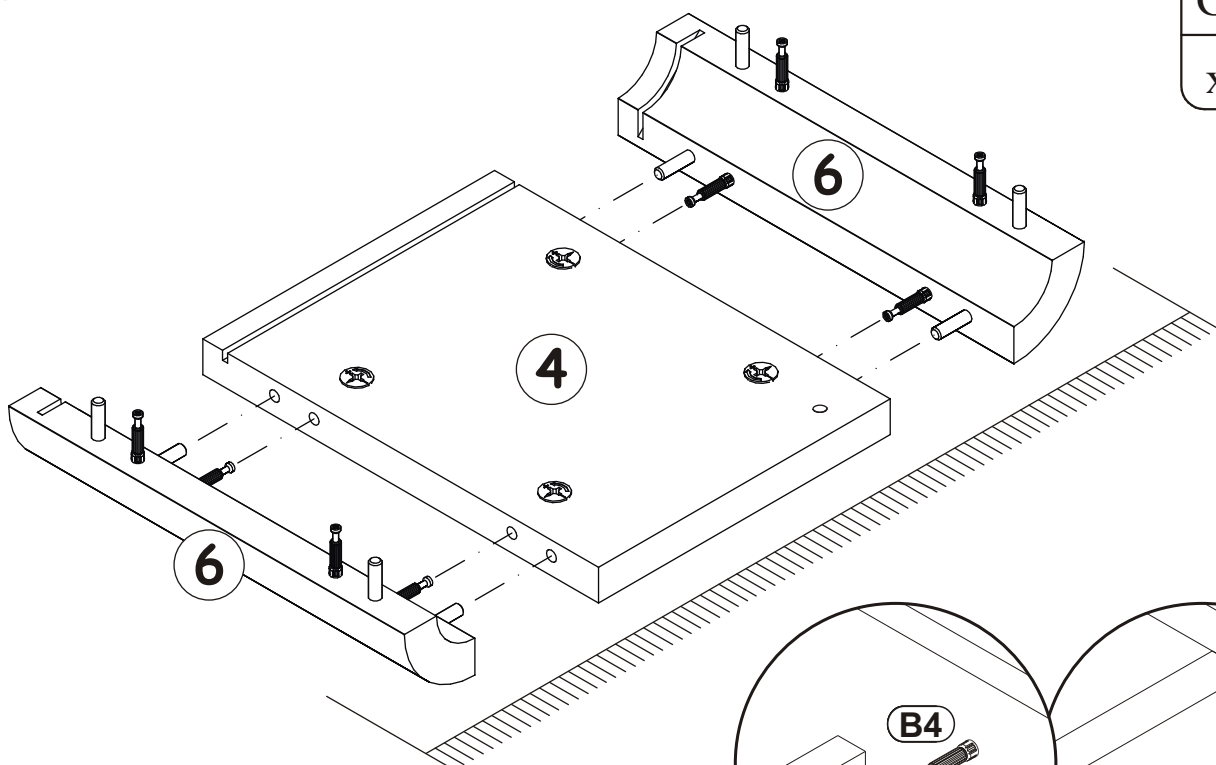
4

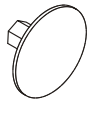


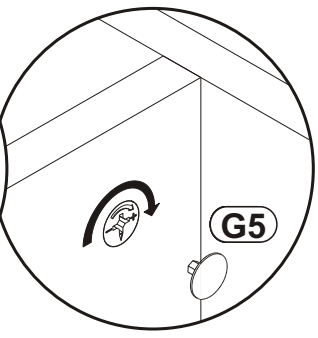
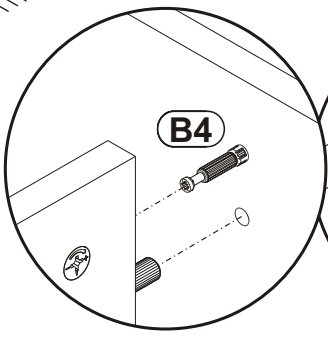
G5	
x4	



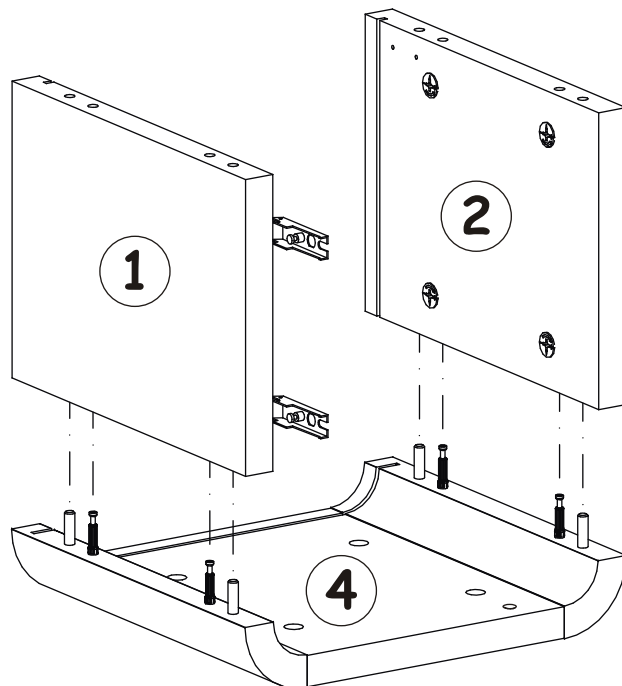
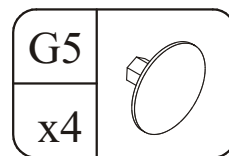
5



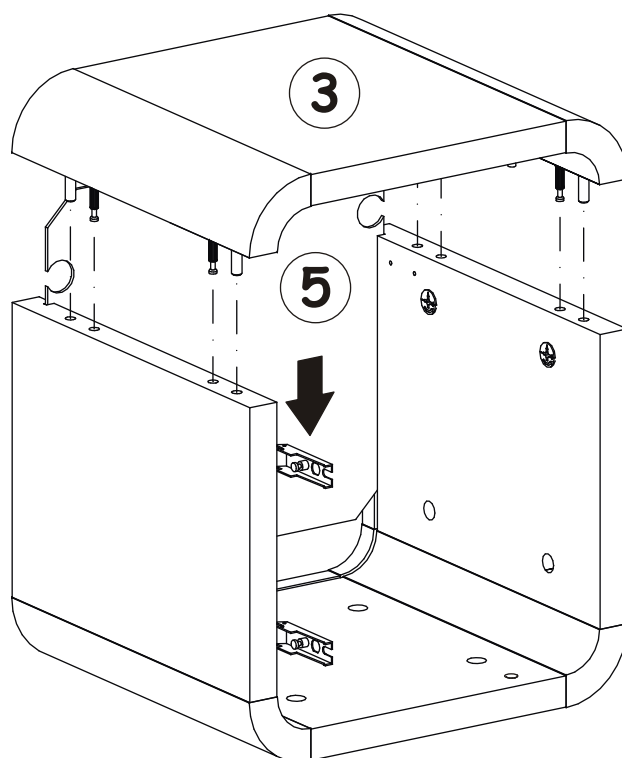
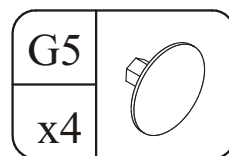
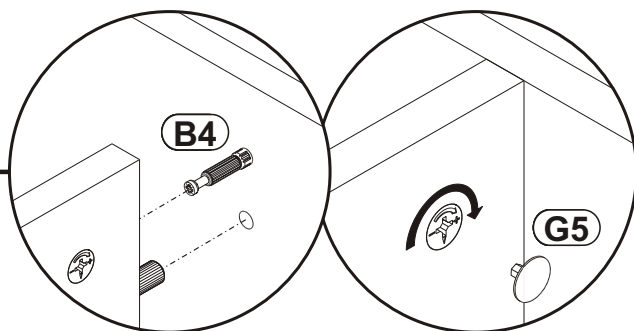
G5	
x4	



6

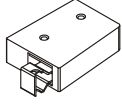
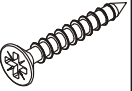


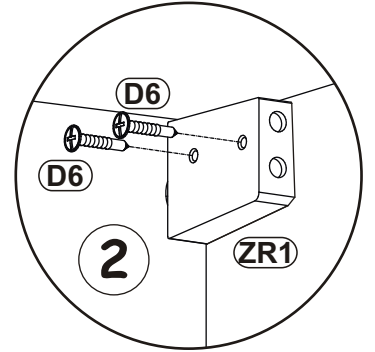
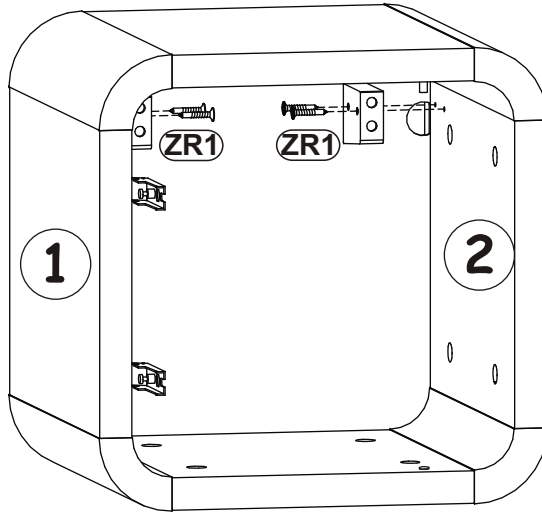
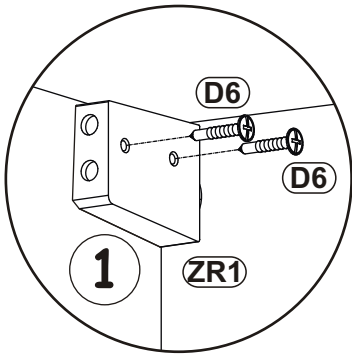
7



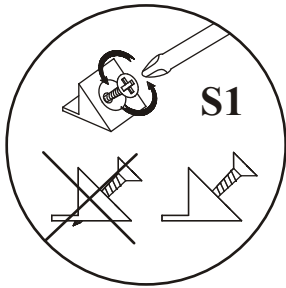
WALLY TYP 05

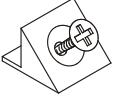
8

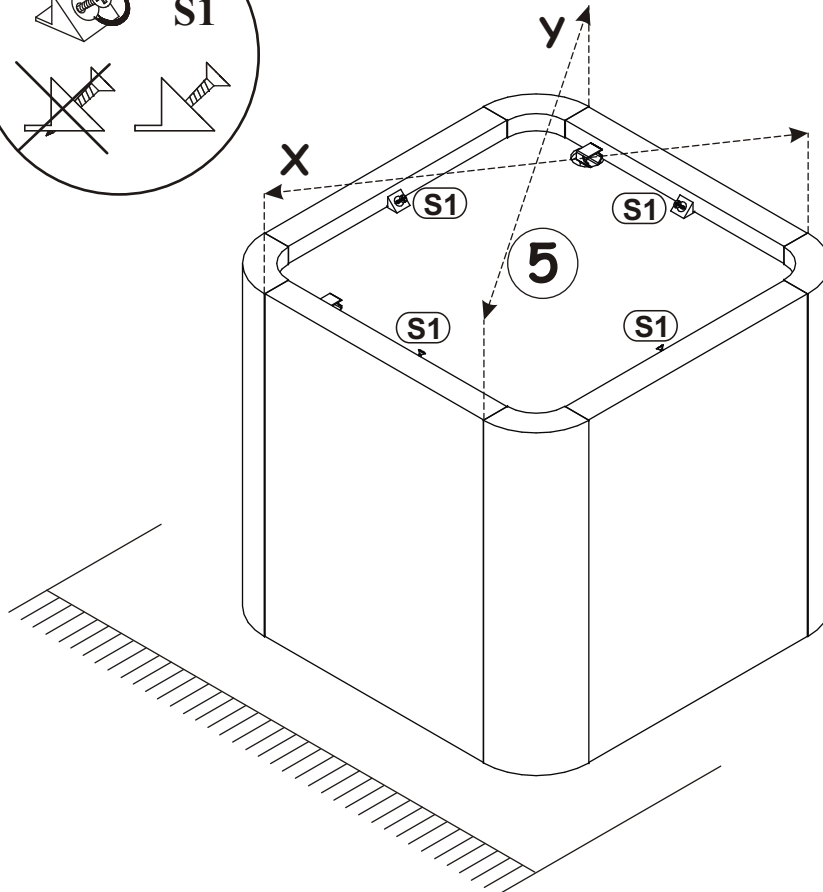
ZR1		D6	
x2		x4	USØ3,5x30



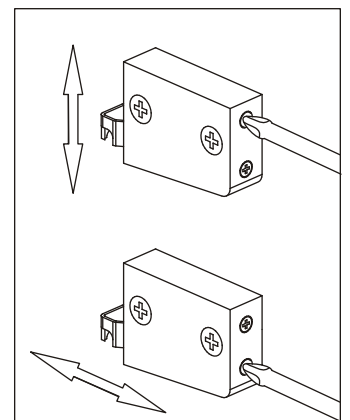
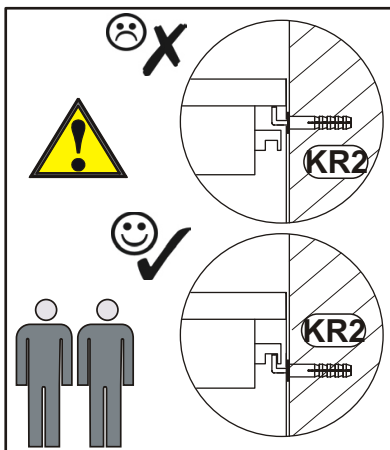
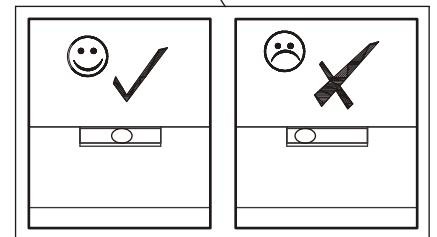
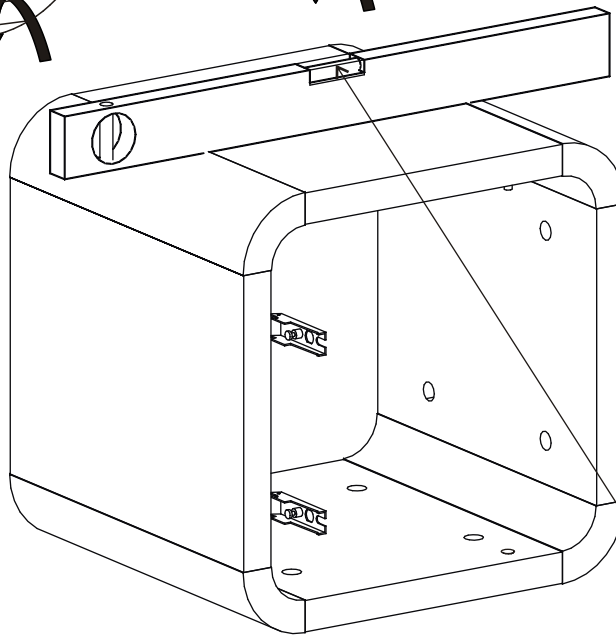
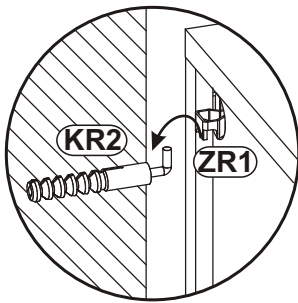
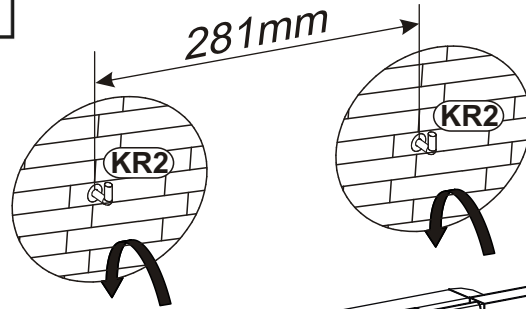
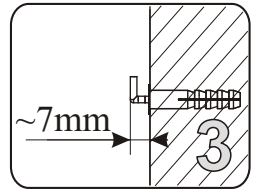
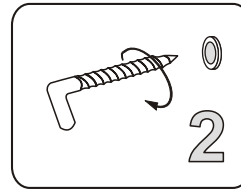
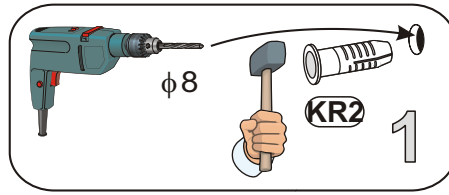
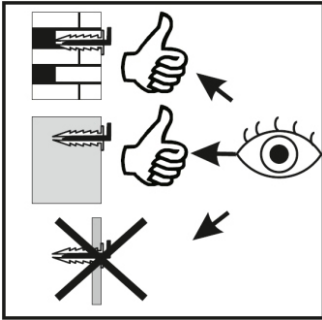
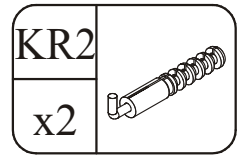
9



S1	
x4	

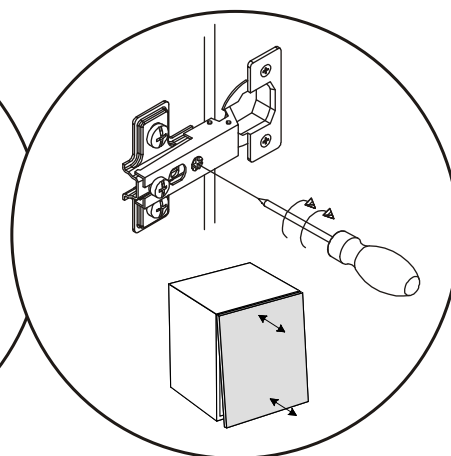
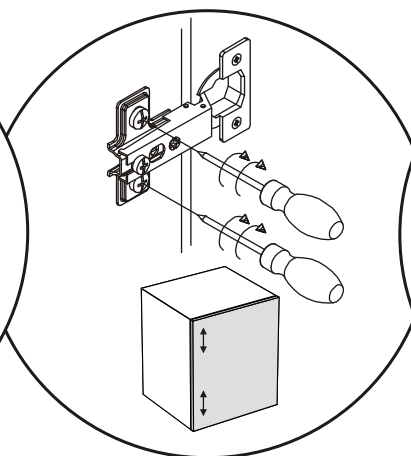
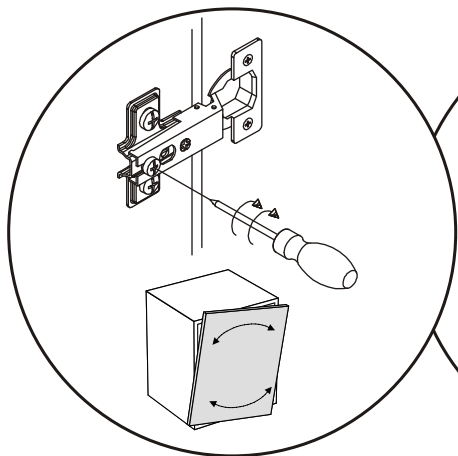
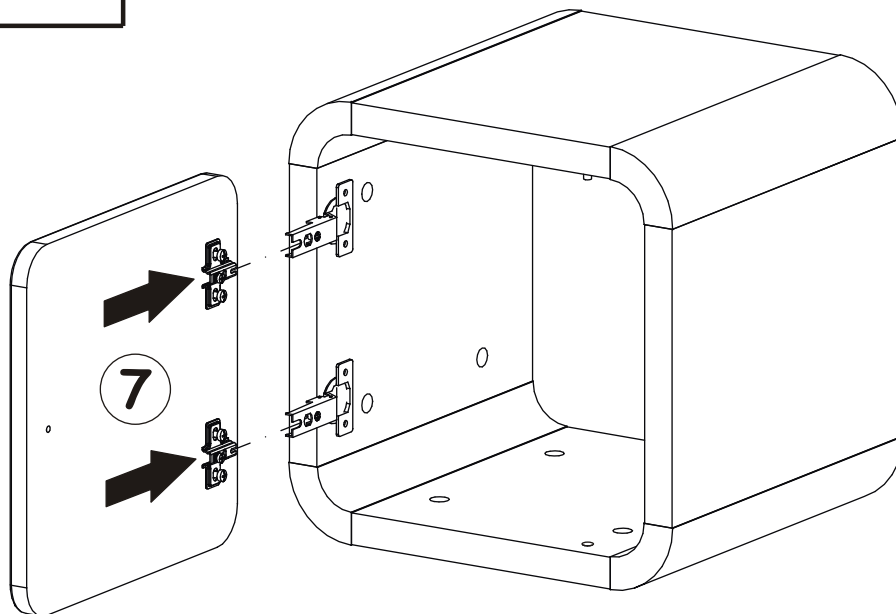


10





11



12

