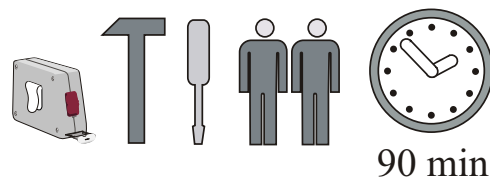
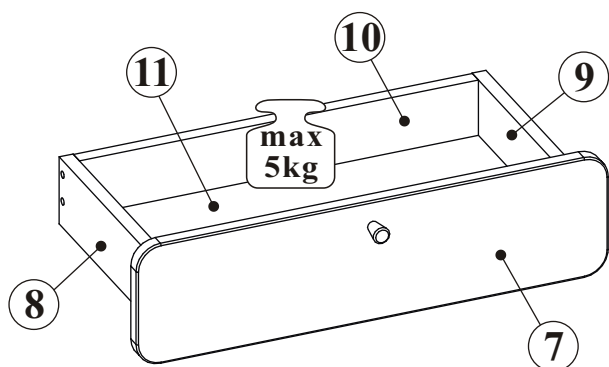
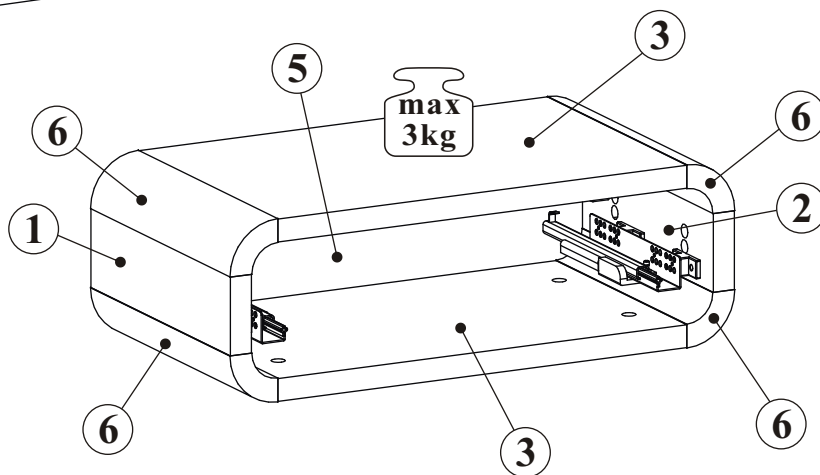
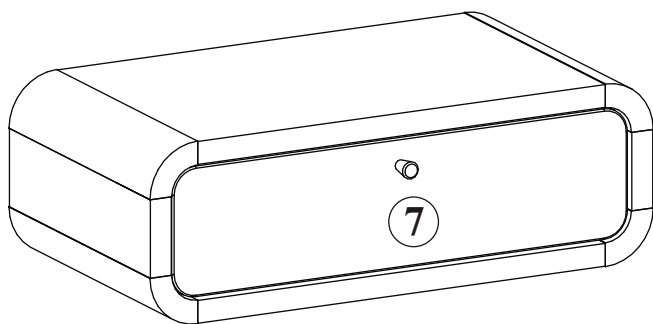
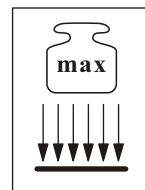
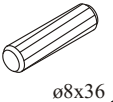
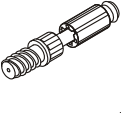


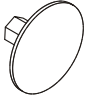


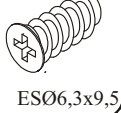
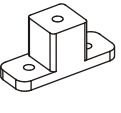



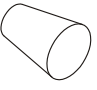

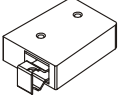

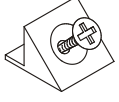




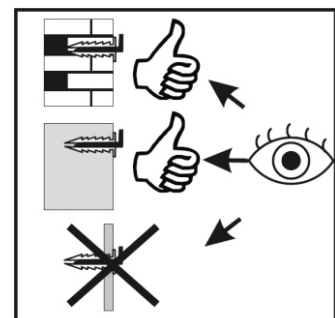
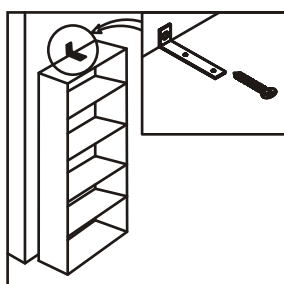
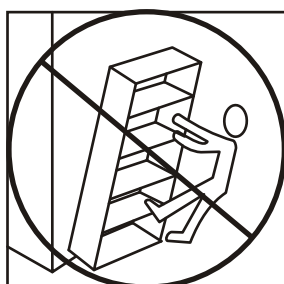
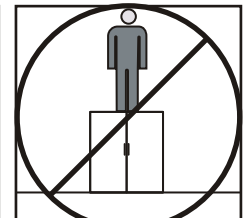
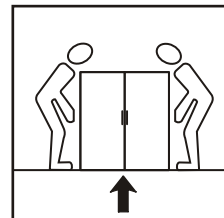
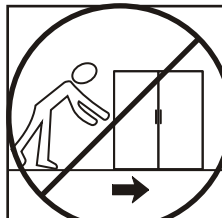
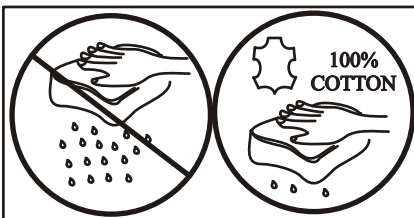
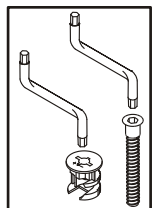
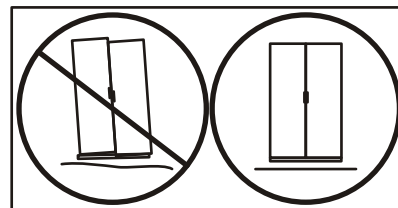
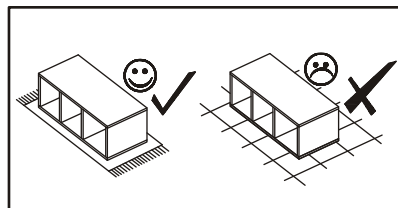
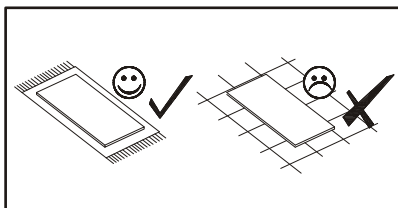
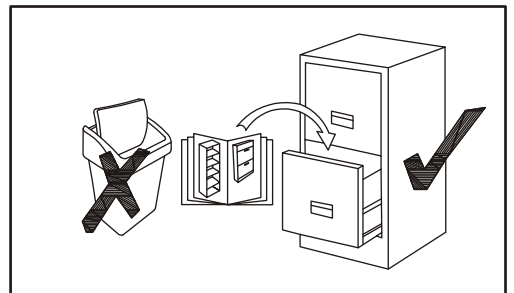
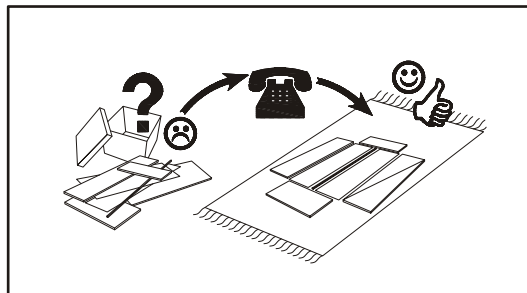
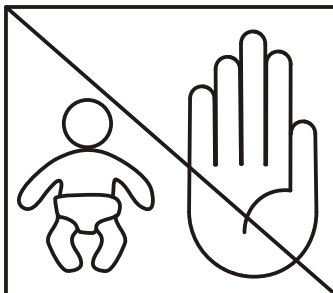
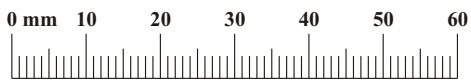
WALLY TYP 04



NO	Dim.			Col.-No	Qty
1	86	320	25	1	1
2	86	320	25	1	1
3	486	320	25	1	2
5	561	161	3	1	1
6	320	80,4	35	1	4
7	543	143	16	1	1
8	250	80	16	1	1
9	250	80	16	1	1
10	459	66	16	1	1
11	254	471	3	1	1

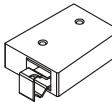
WALLY TYP 04


A1 x18  ø8x36	B4 x18 	B16 x16  Ø15x16	B5 x2  Ø15x12	G5 x18 	UP13 x4  UPØ3x16
QU x1  L-250	D20 x4  ESØ6,3x9,5	H1 x4 	EK6 x8  EKØ6,3x13	B11 x4  Ø7x50	G4 x4 
P15 x1 	UP6 x1  UPØ4x30	ZR1 x2 	D6 x4  USØ3,5x30	S1 x5 	KR2 x2 
G2 x1 					






WALLY TYP 04

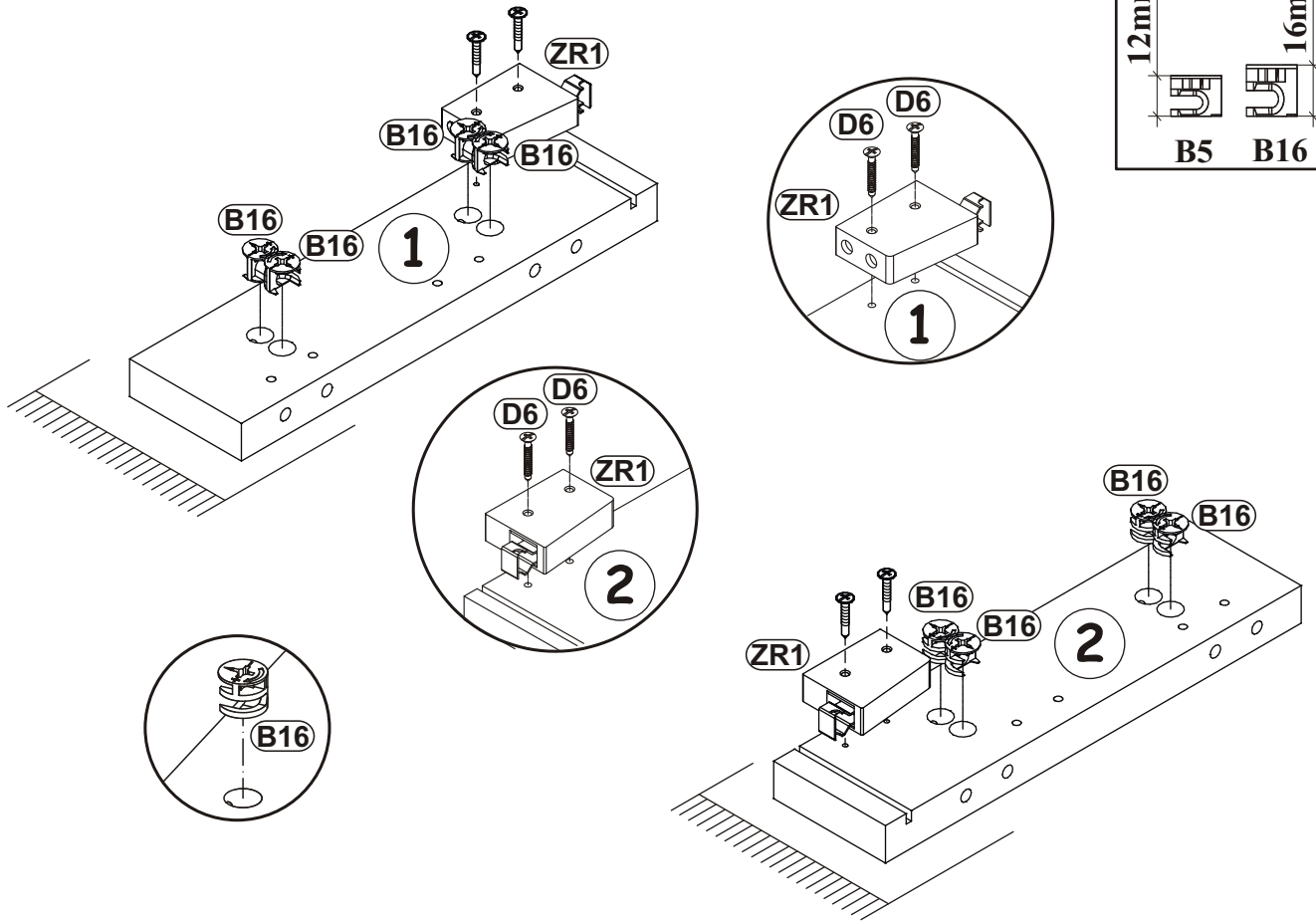
1

ZR1	
x2	

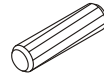
D6	
x4	USØ3,5x30

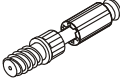
B16	
x8	Ø15x16

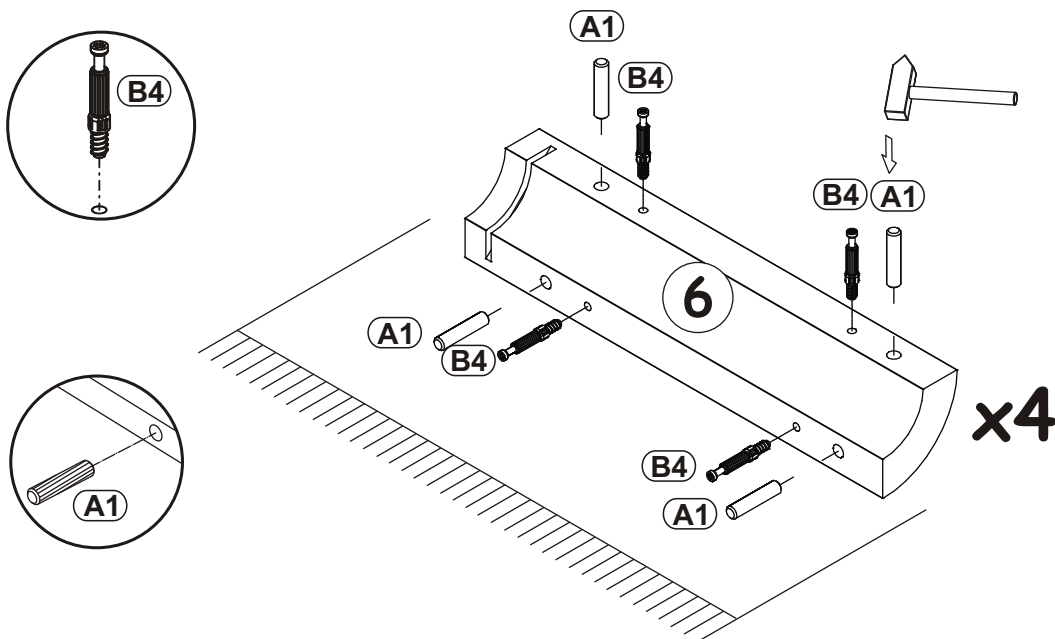
12mm		16mm	
	B5		B16



2

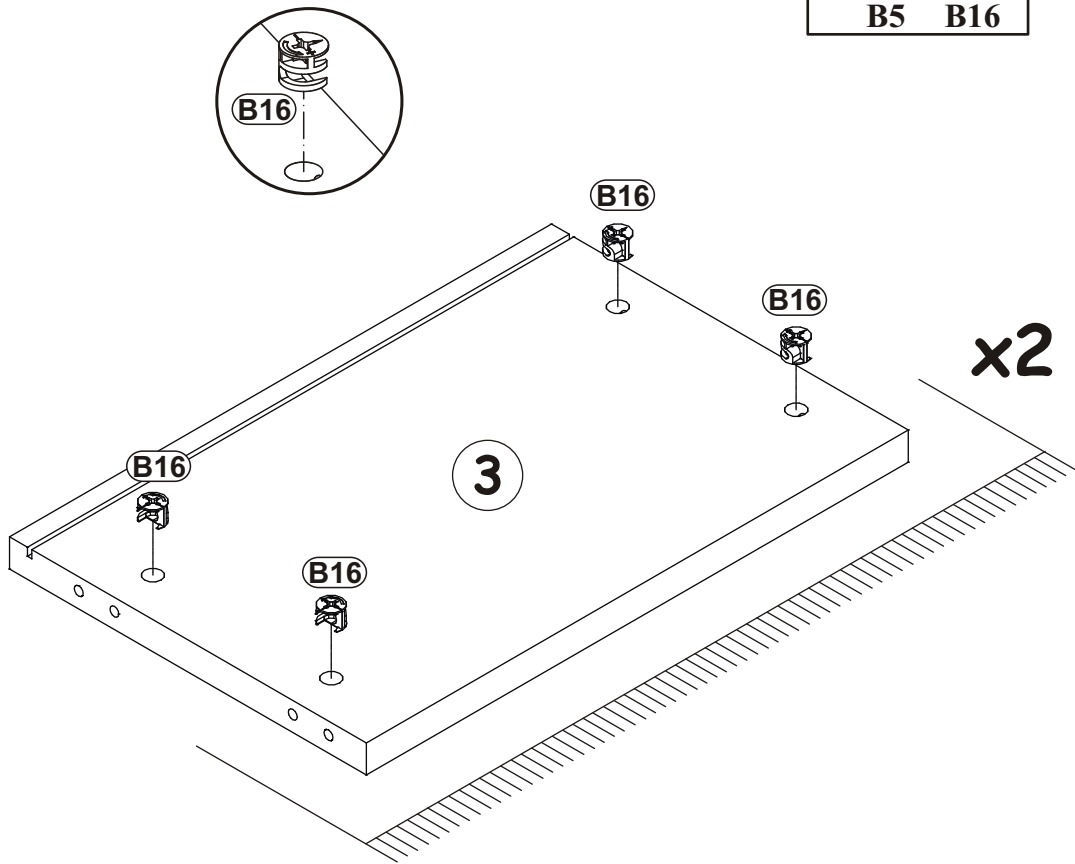
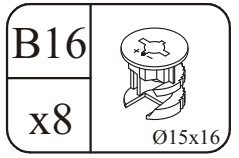
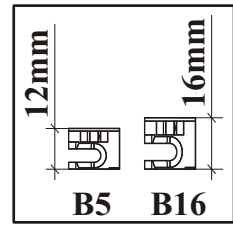
A1	
x16	ø8x36

B4	
x16	

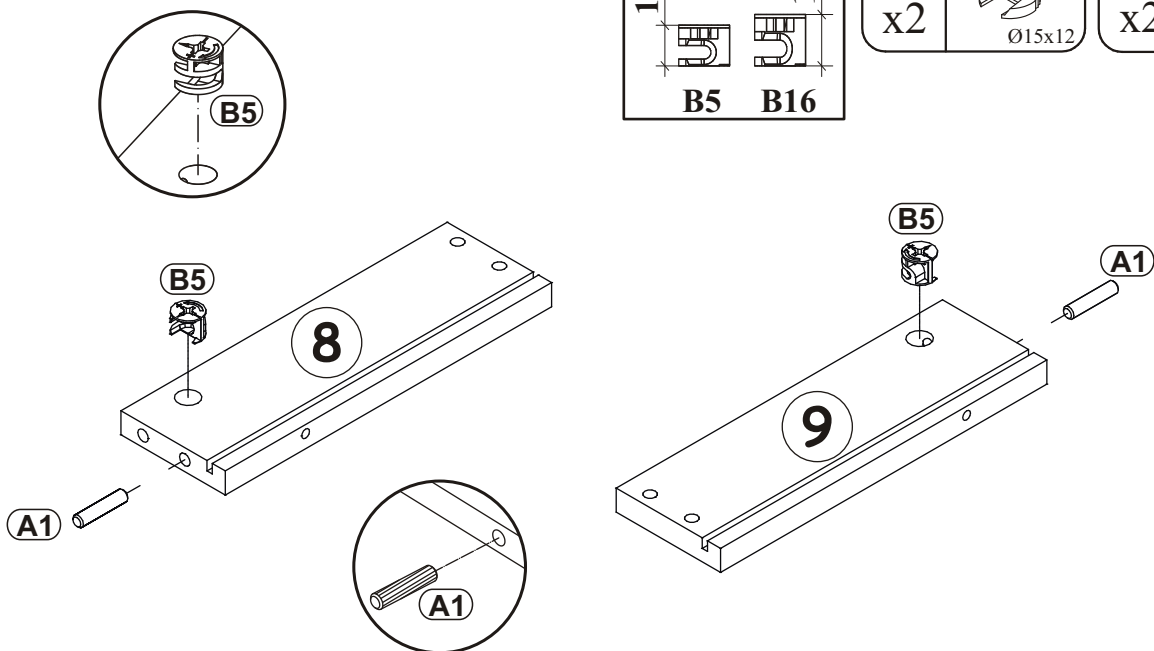
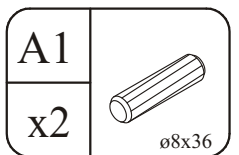
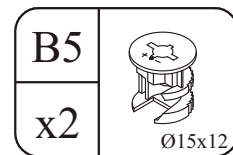
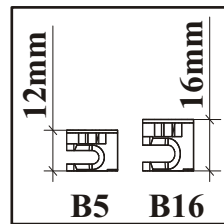


WALLY TYP 04

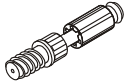
3

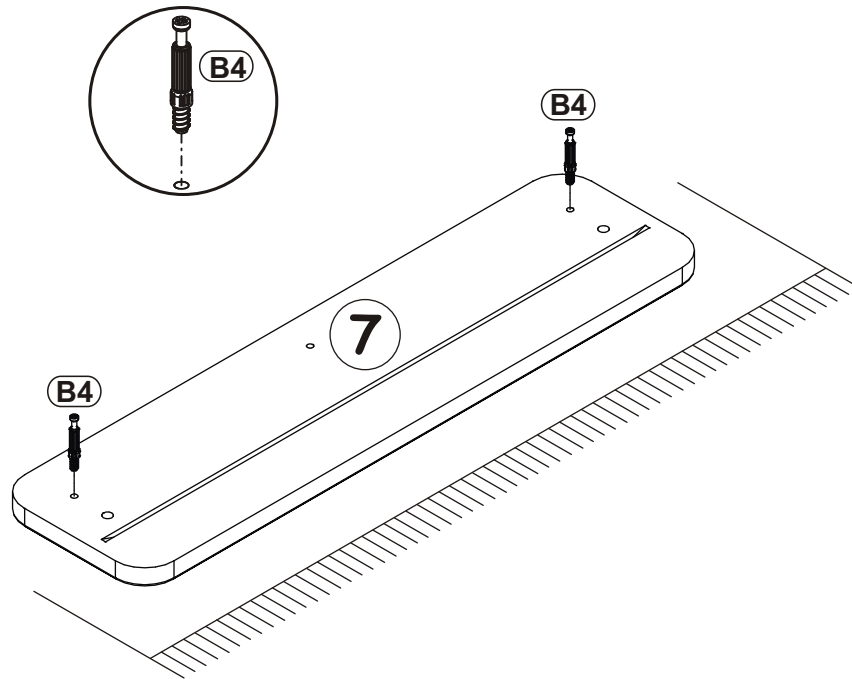


4

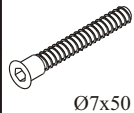



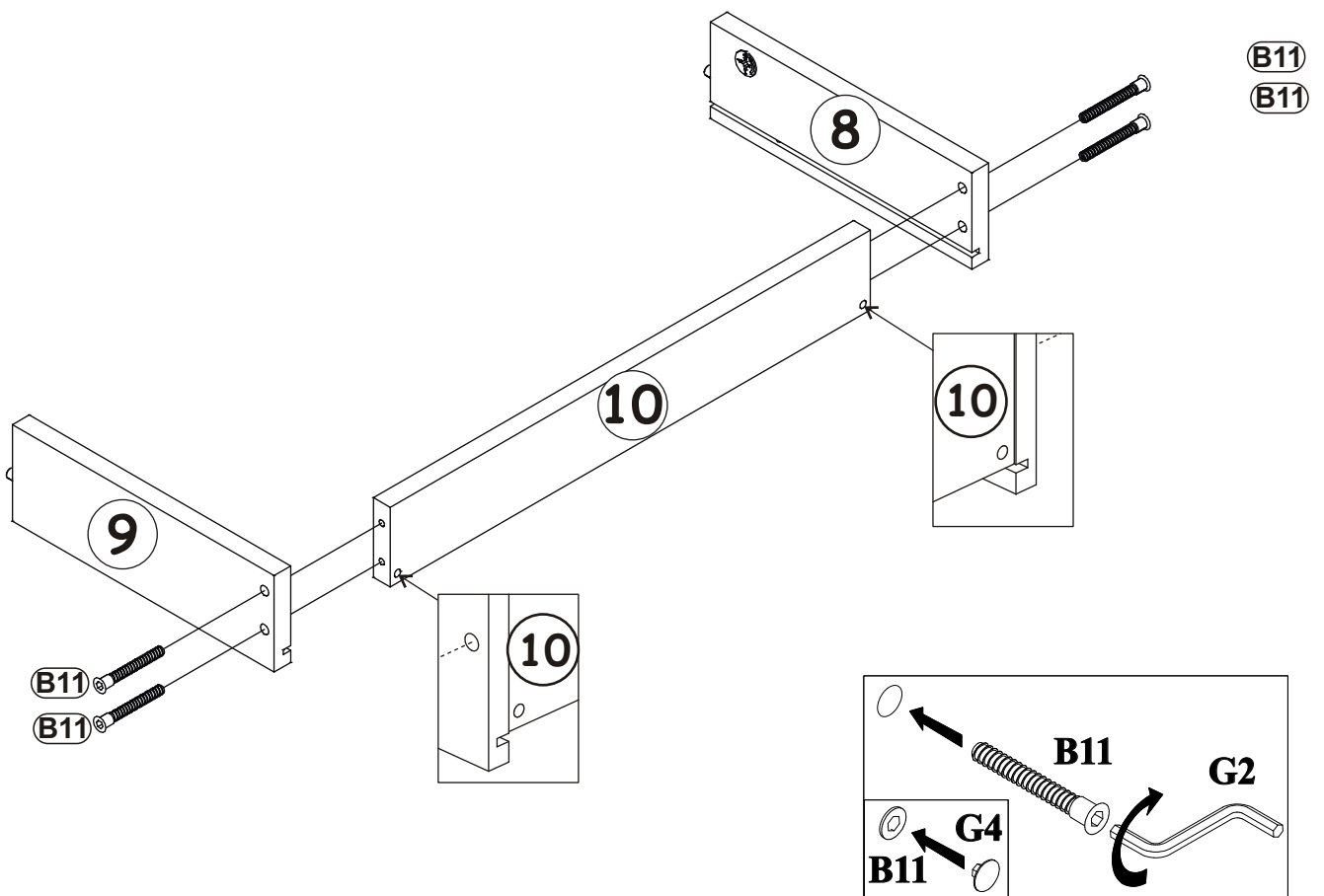
5


B4	
x2	



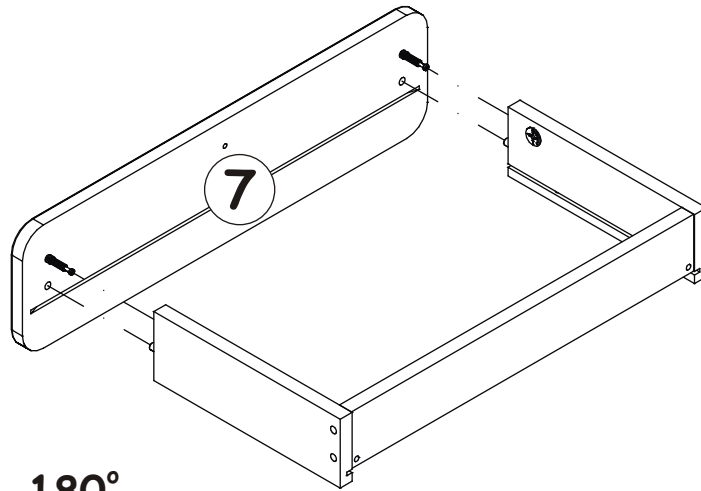
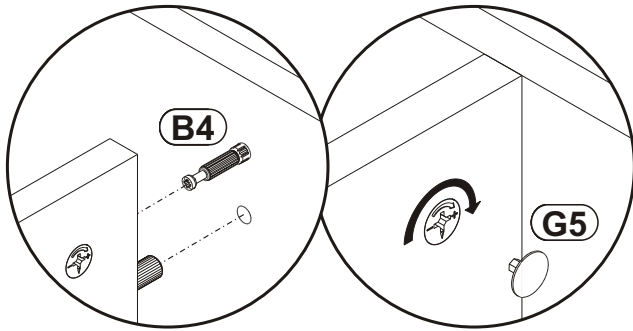
6

B11		G4	
x4	Ø7x50	x4	



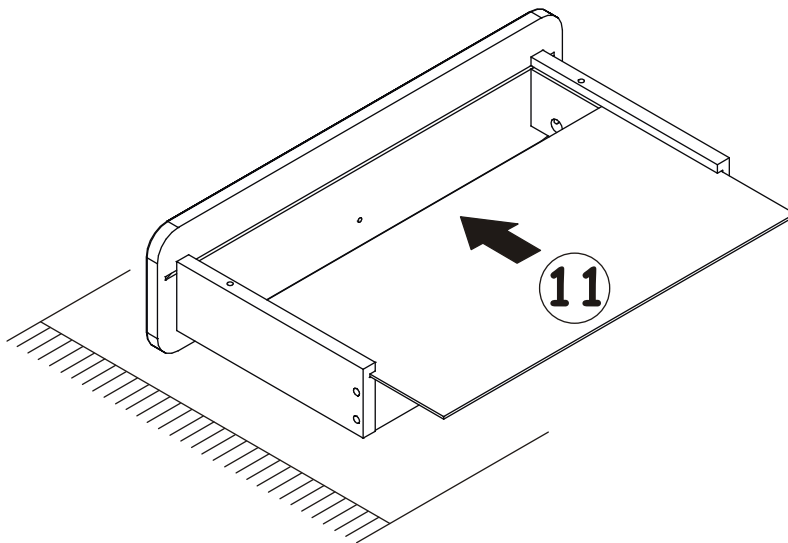
G5	
x2	

7



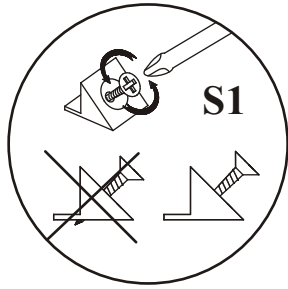
180°

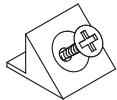
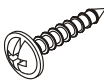
8



WALLY TYP 04

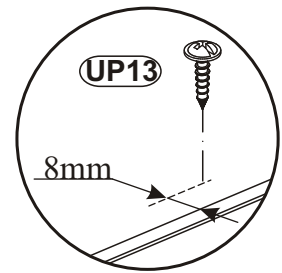
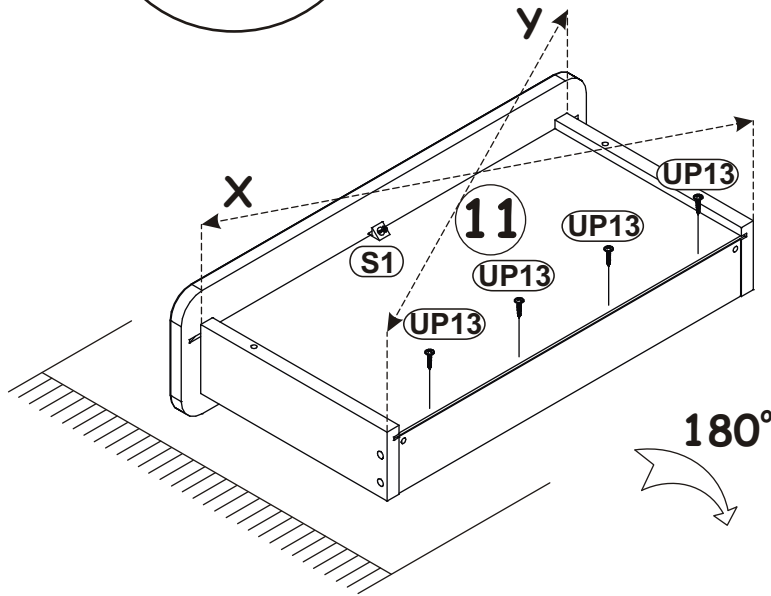
9





S1		UP13	
x1		x4	UP03x16

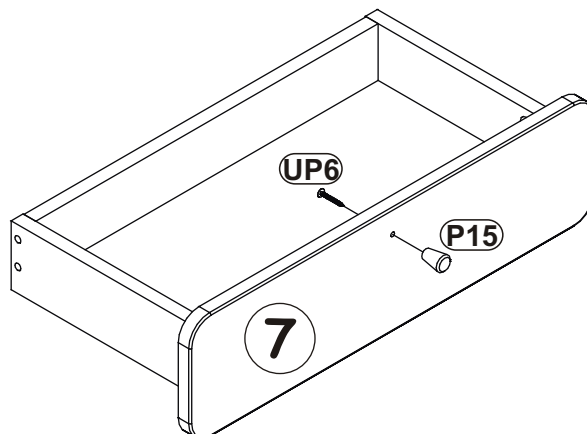



$X=Y$ $\uparrow 90^\circ$



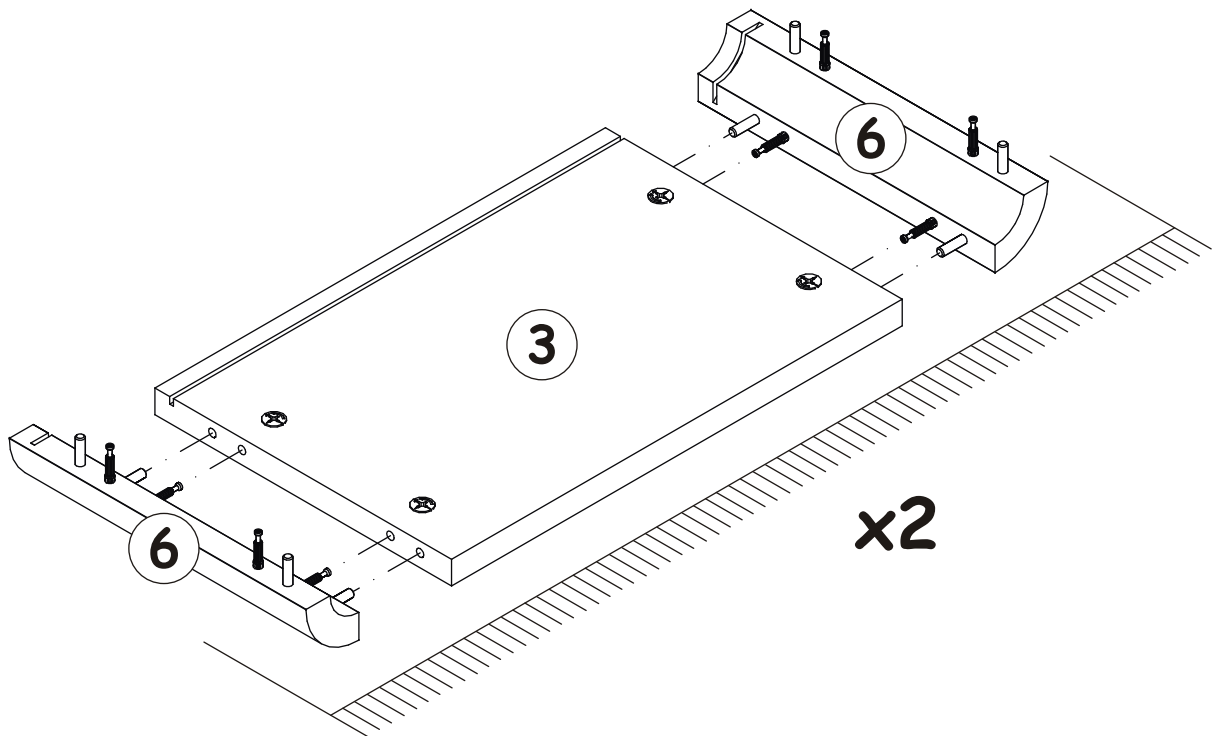
10

P15		UP6	
x1		x1	UP04x30

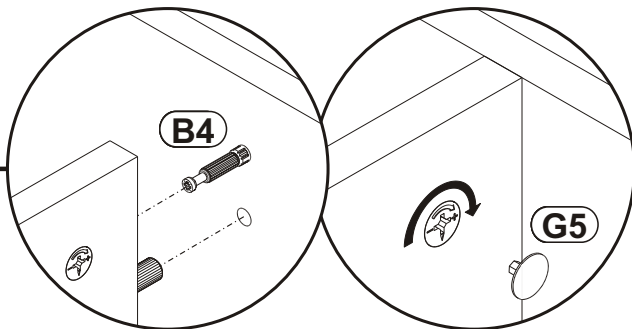


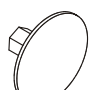
G5	
x8	

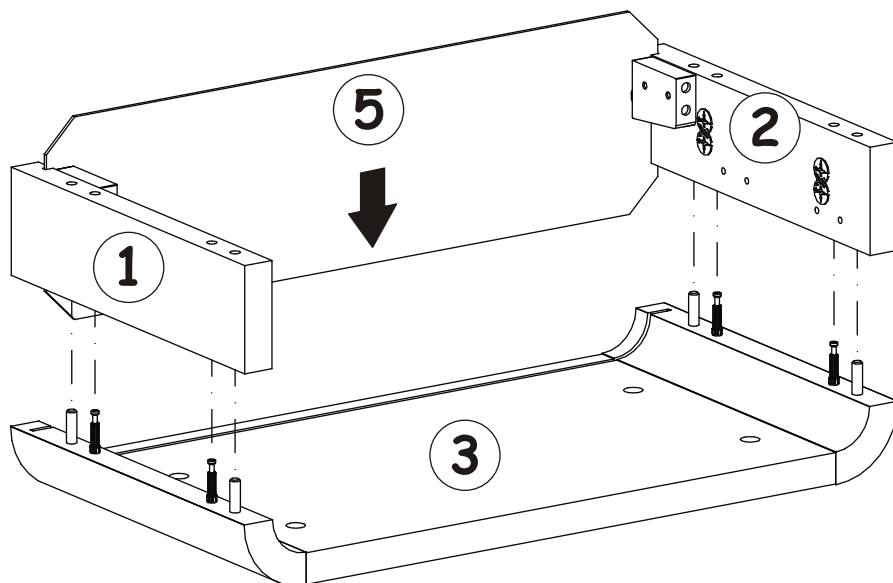
11



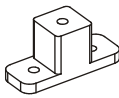
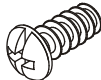
12

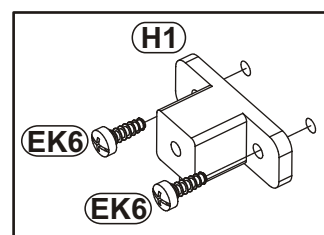
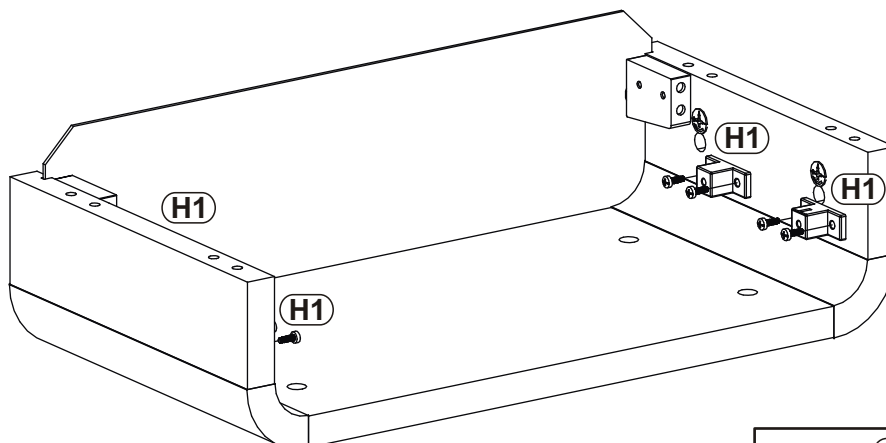


G5	
x4	


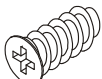


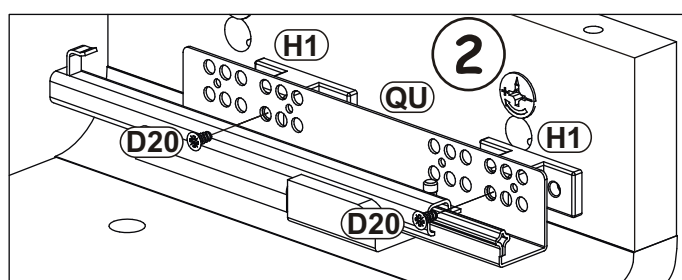
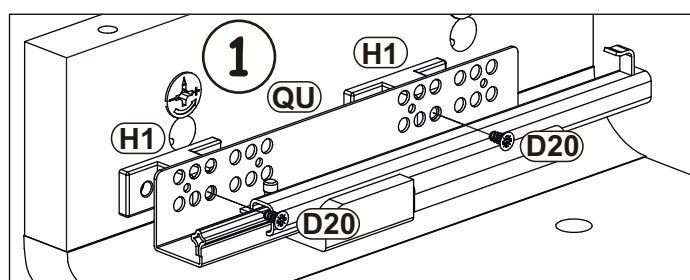
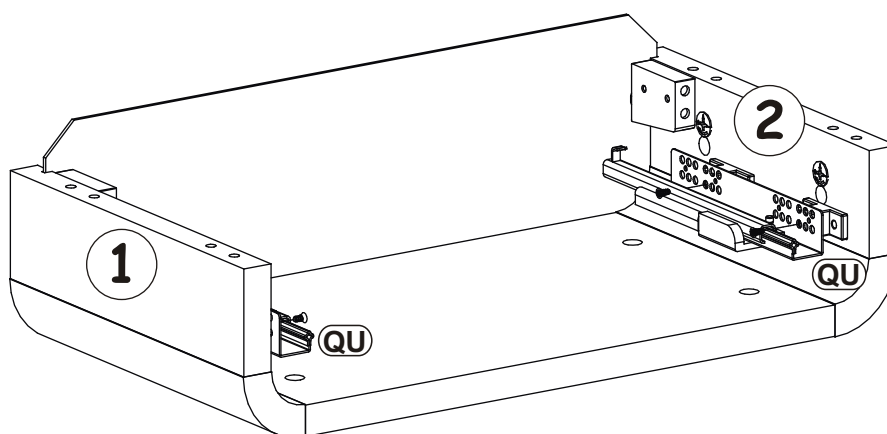
13

H1		EK6	
x4		x8	EKØ6,3x13

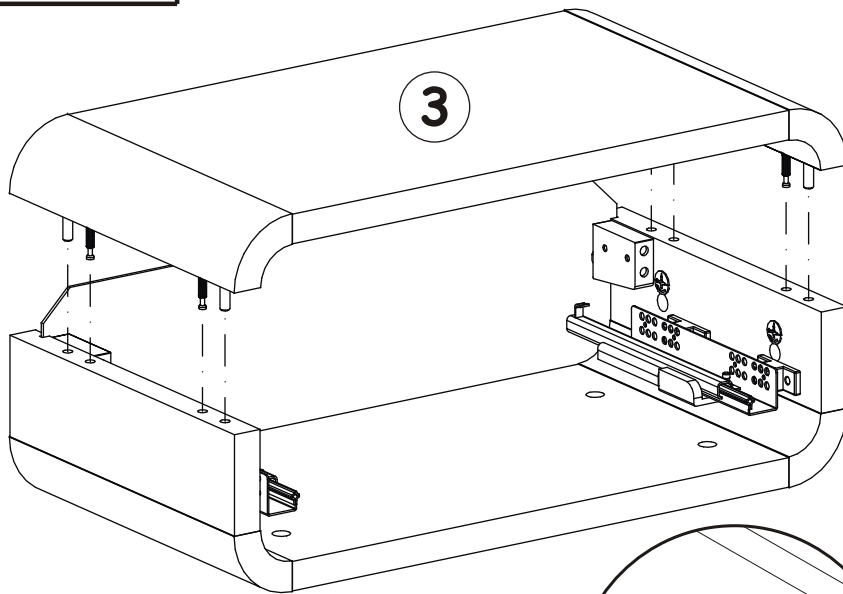


14

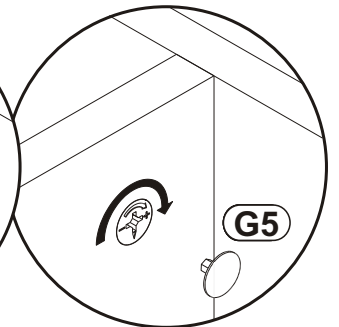
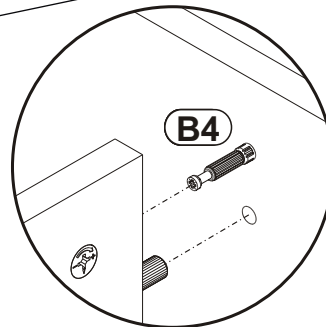
QU		D20	
x1	L-250	x4	ESØ6,3x9,5



15

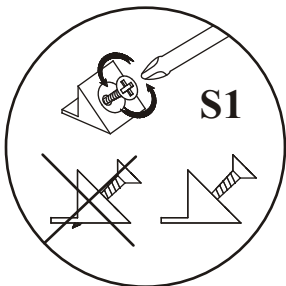


90°

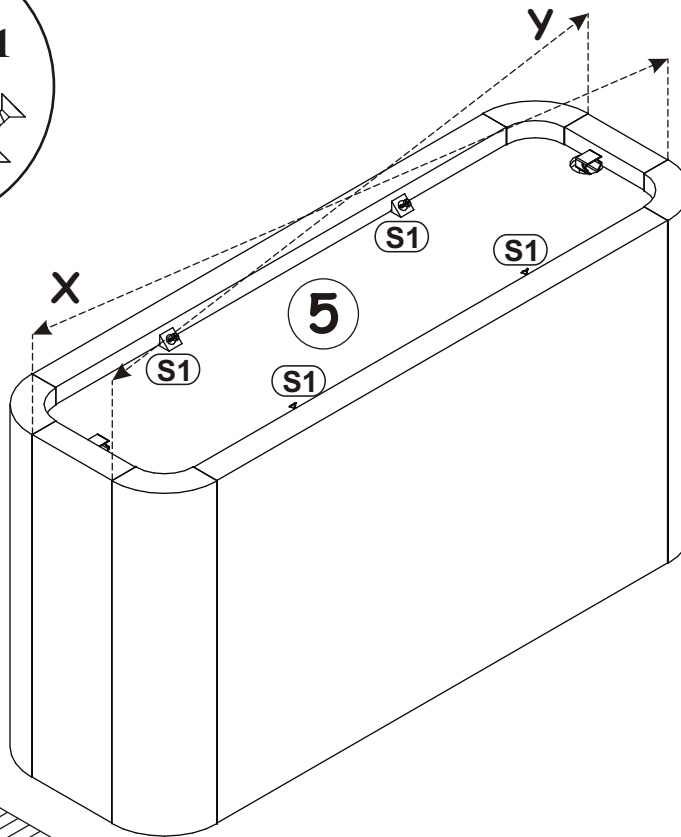


G5	
x4	

16

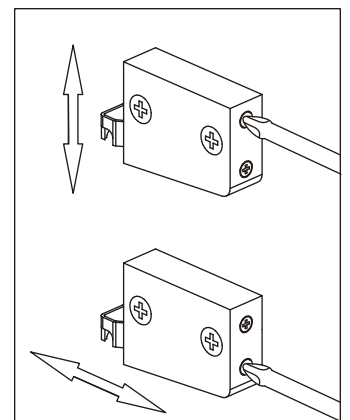
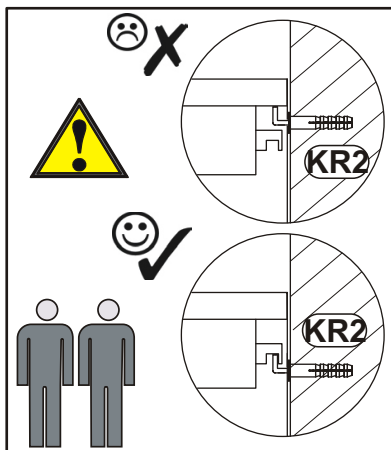
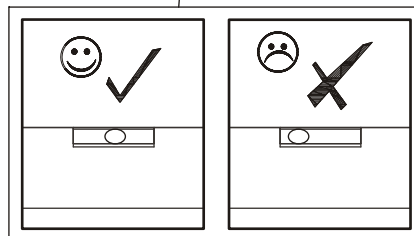
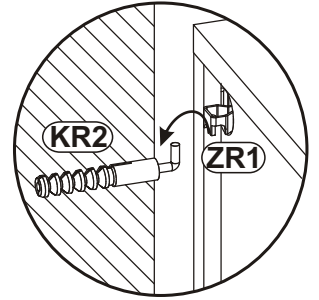
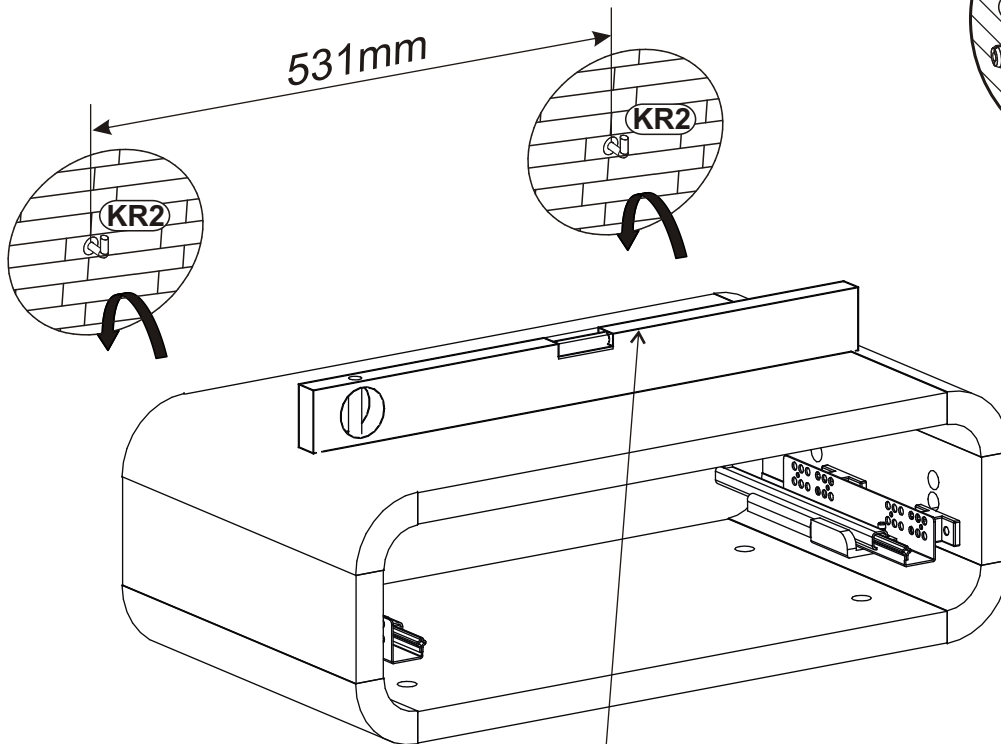
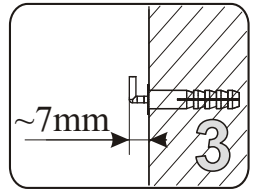
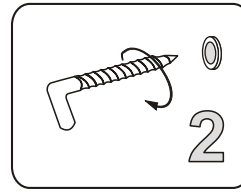
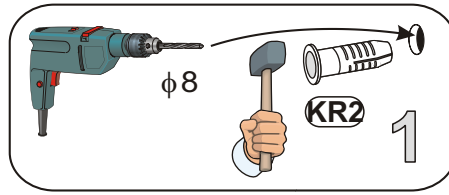
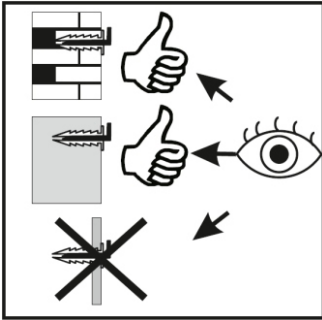
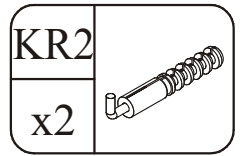


$X=Y$ 90°



S1	
x4	

17



18

