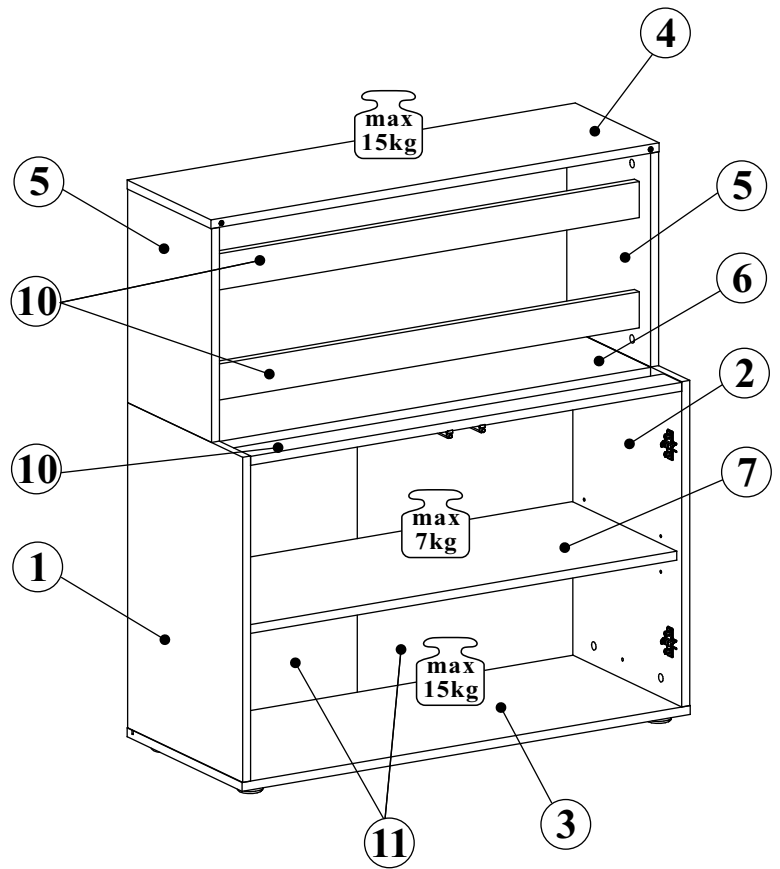
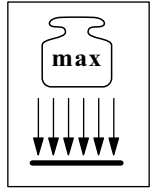
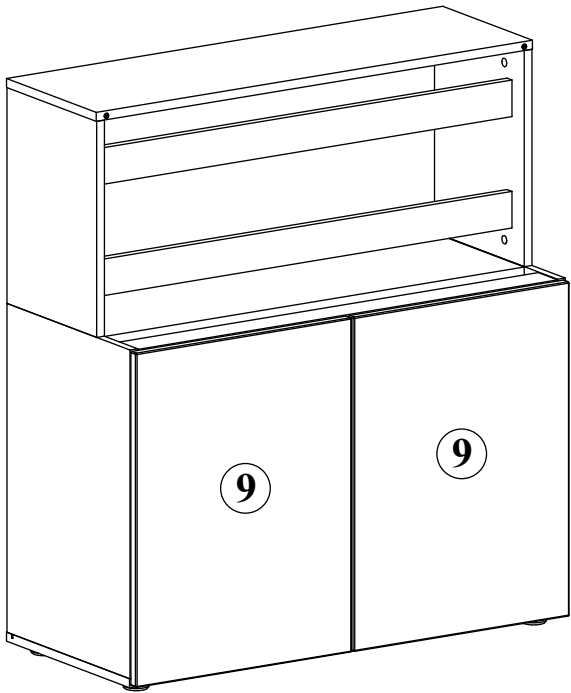
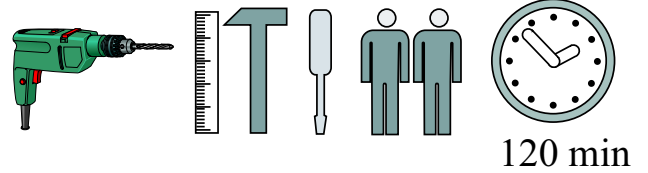


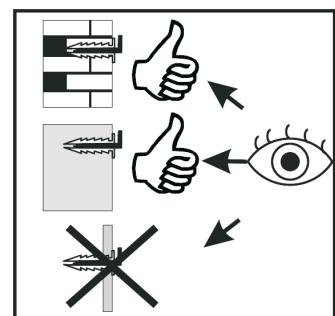
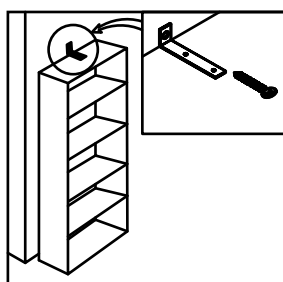
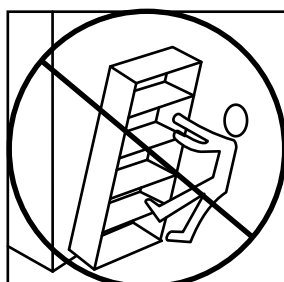
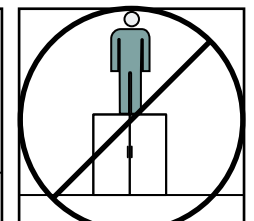
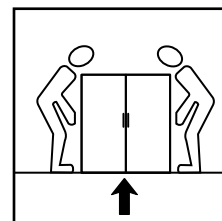
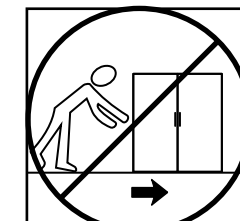
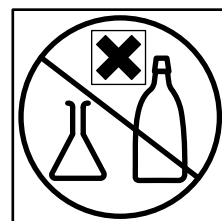
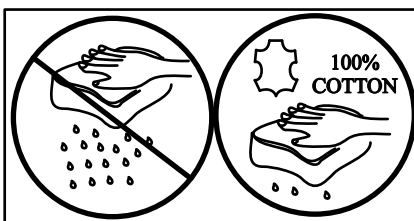
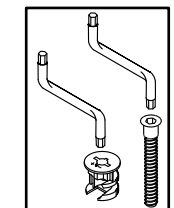
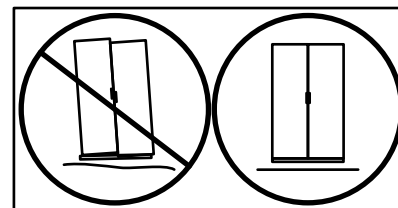
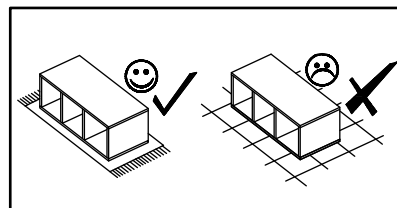
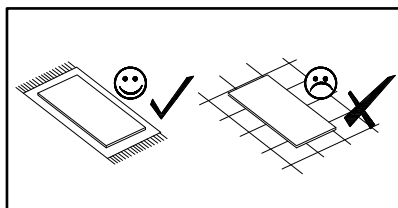
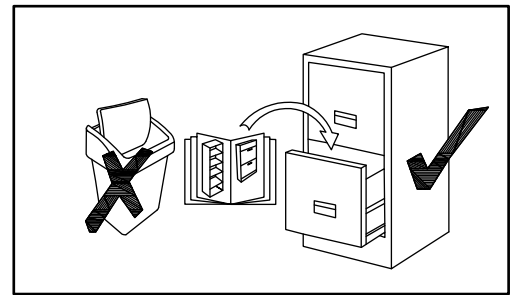
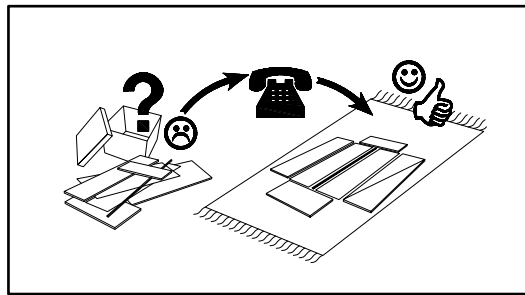
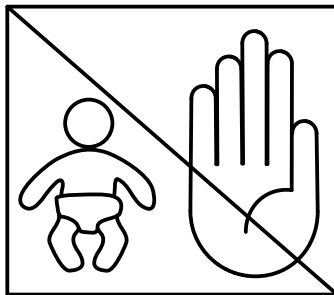
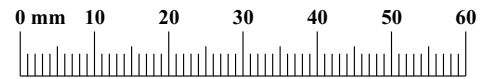
CAMINO III 29_CCS-U



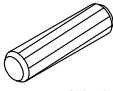

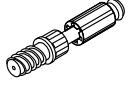
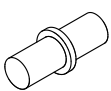
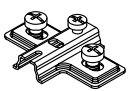
| NO | Dim. | | | Col.-No | Qty |
|----|------|-----|----|---------|-----|
| 1 | 584 | 384 | 16 | 1 | 1 |
| 2 | 584 | 384 | 16 | 1 | 1 |
| 3 | 900 | 384 | 16 | 1 | 1 |
| 4 | 900 | 280 | 16 | 1 | 1 |
| 5 | 384 | 280 | 16 | 1 | 2 |
| 6 | 866 | 280 | 16 | 1 | 1 |
| 7 | 866 | 354 | 16 | 1 | 1 |
| 9 | 445 | 594 | 16 | 1 | 2 |
| 10 | 866 | 65 | 16 | 1 | 3 |
| 11 | 579 | 439 | 3 | 1 | 2 |

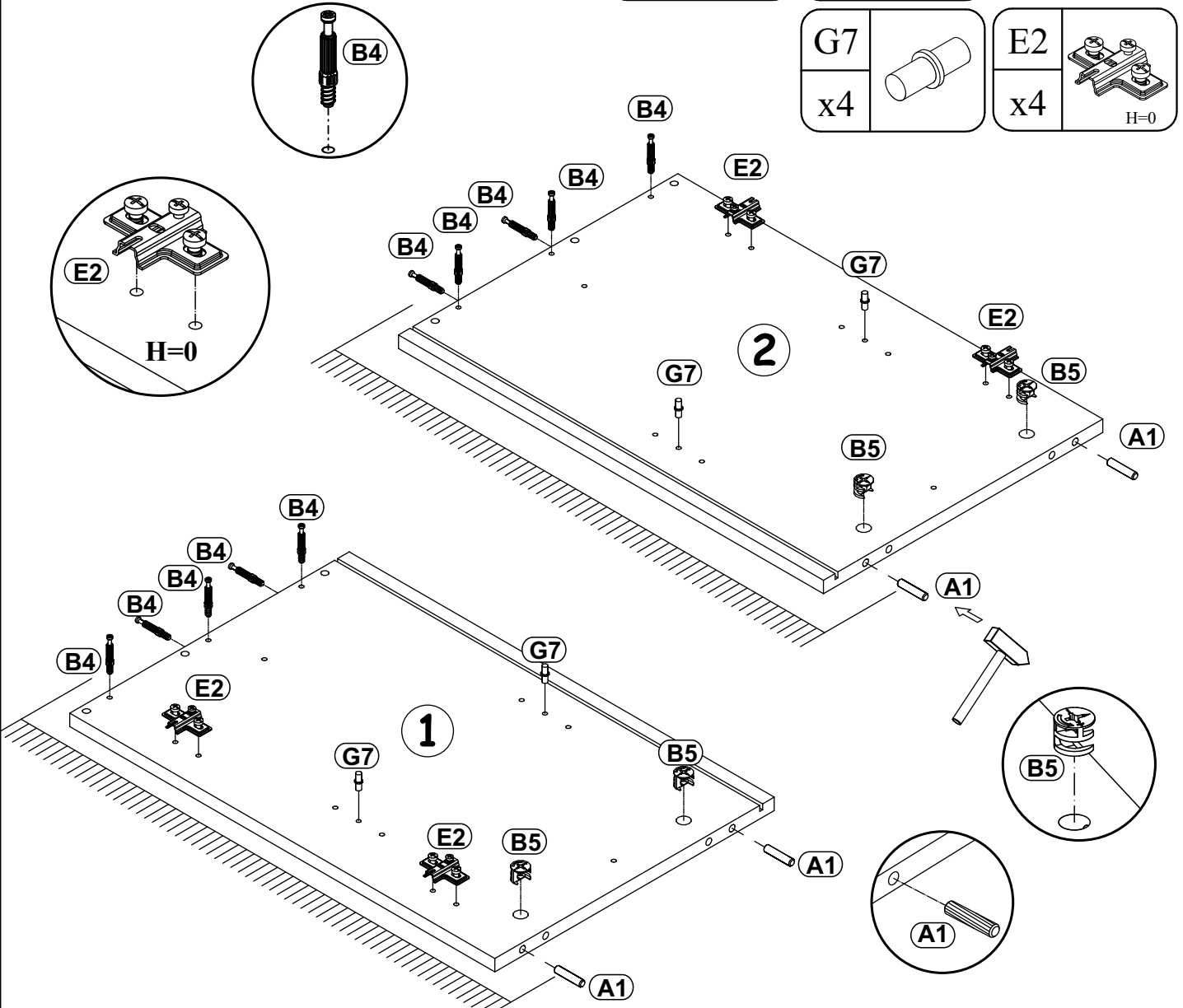


| | | | | | |
|-------------------------|---------------------|-------------------------|------------------------|-----------------------|-----------|
| A1 X22 Ø8x36 | B5 x22 Ø15x12 | B4 x22 | G5 x22 | G7 x4 | OD1 x2 |
| E21 x4 Ø35 H=0 | E2 x4 H=0 | D10 X12 USØ3,5x13 | I11 x5 Ø45, h=15 | UP11 x5 UPØ4x20 | S1 x12 |
| UP6 x6 UPØ4x30 | KR1 x2 | L1 x2 | G2 x1 | | |

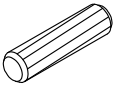
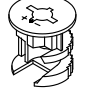
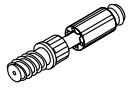


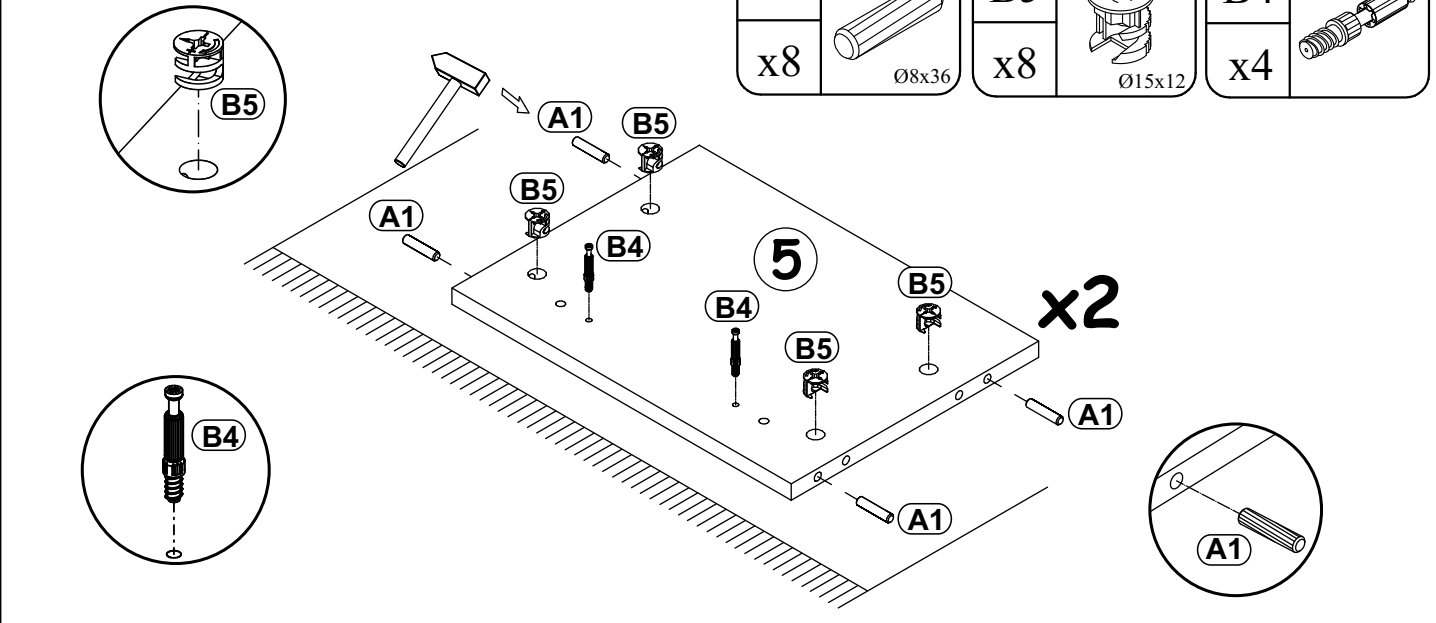
1


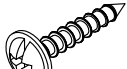
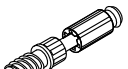
| | | | | | |
|----------|---|----------|---|-----------|---|
| A1 x4 |  Ø8x36 | B5 x4 |  Ø15x12 | B4 x10 |  |
| G7 x4 |  | E2 x4 |  H=0 | | |



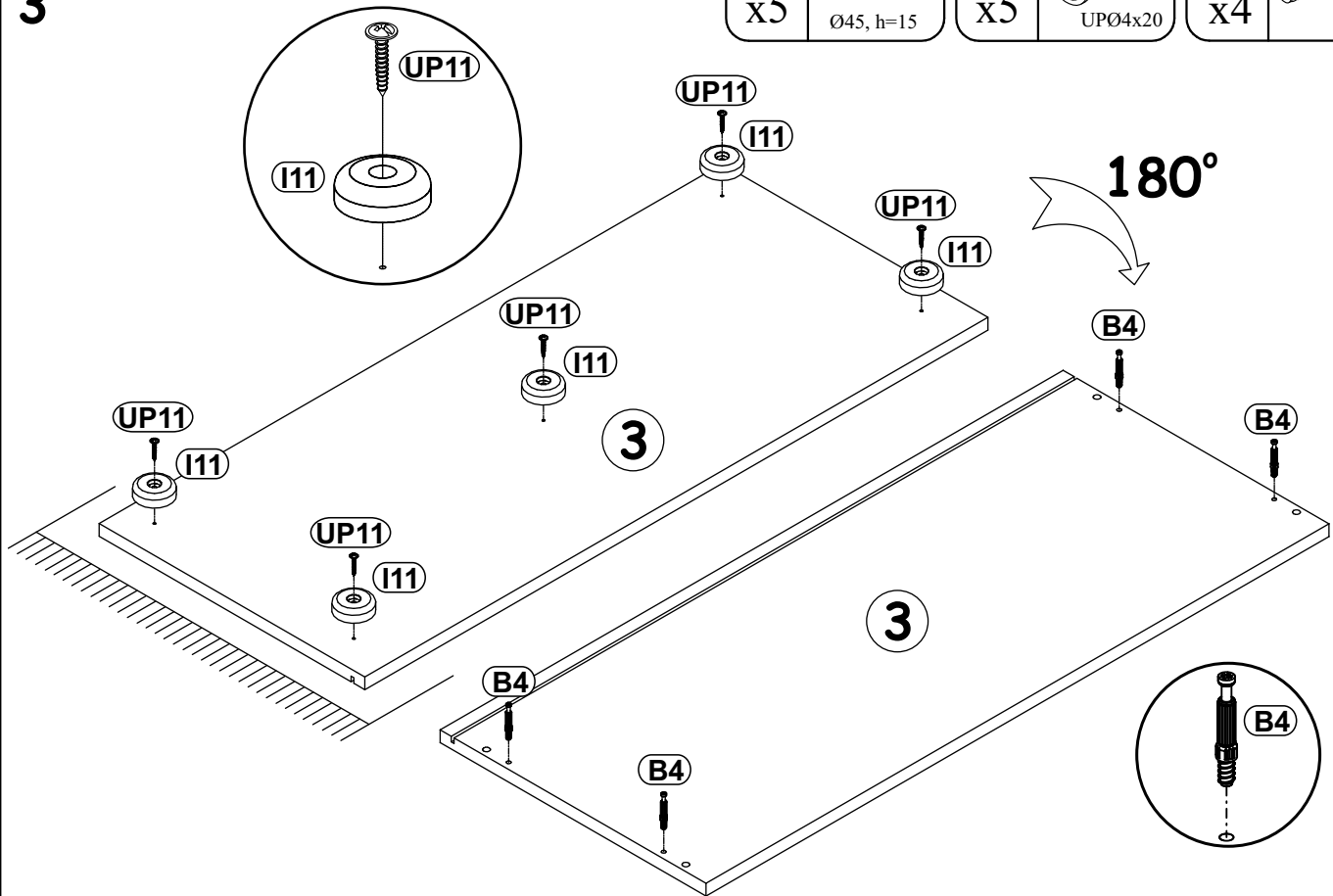
2

| | | | | | |
|----------|---|----------|---|----------|---|
| A1 x8 |  Ø8x36 | B5 x8 |  Ø15x12 | B4 x4 |  |
|----------|---|----------|---|----------|---|

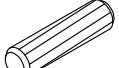

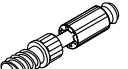


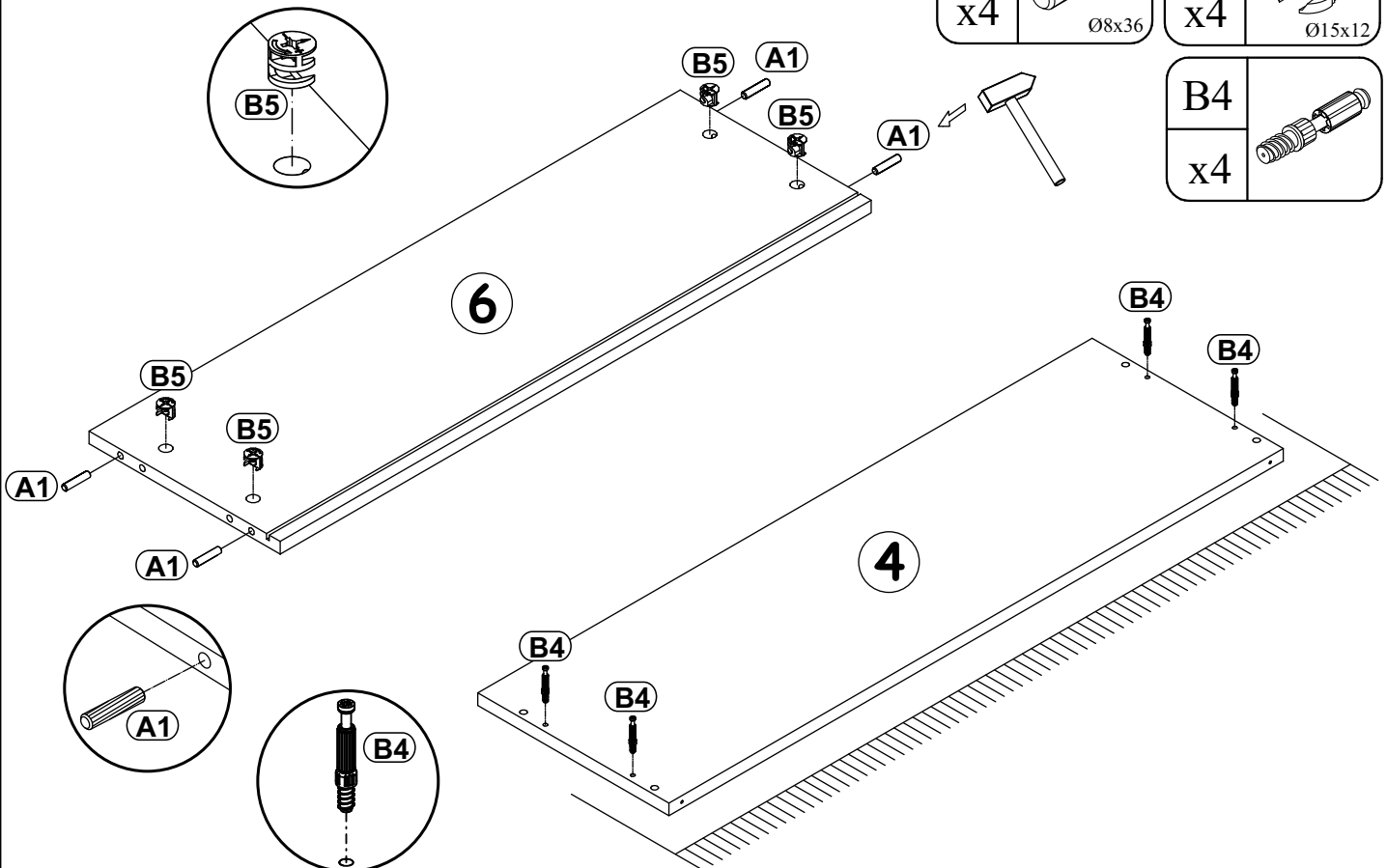
| | | | | | |
|-----|--|------|---|----|---|
| I11 |  | UP11 |  | B4 |  |
| x5 | Ø45, h=15 | x5 | UPØ4x20 | x4 | |

3

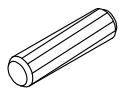
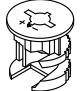


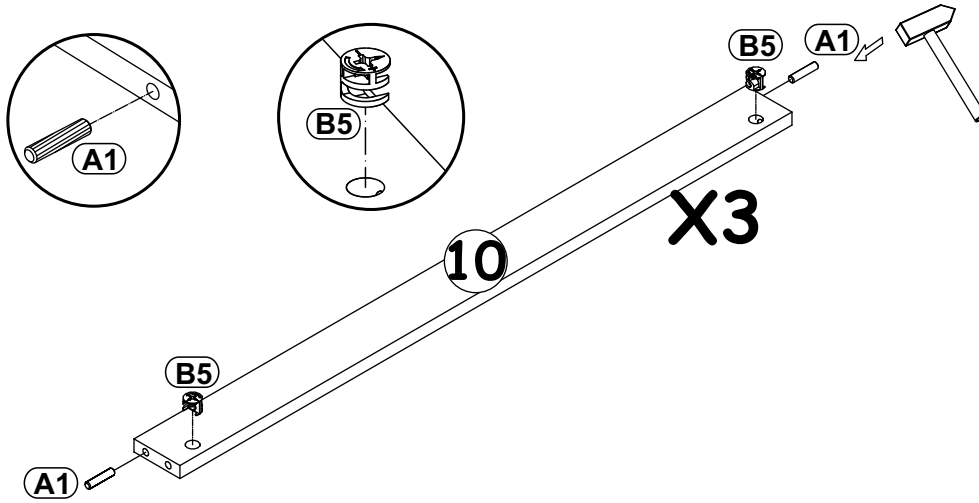
4

| | | | |
|----|---|----|---|
| A1 |  | B5 |  |
| x4 | Ø8x36 | x4 | Ø15x12 |
| | | B4 |  |
| | | x4 | |

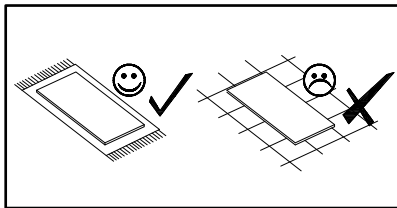


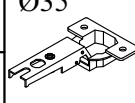

5

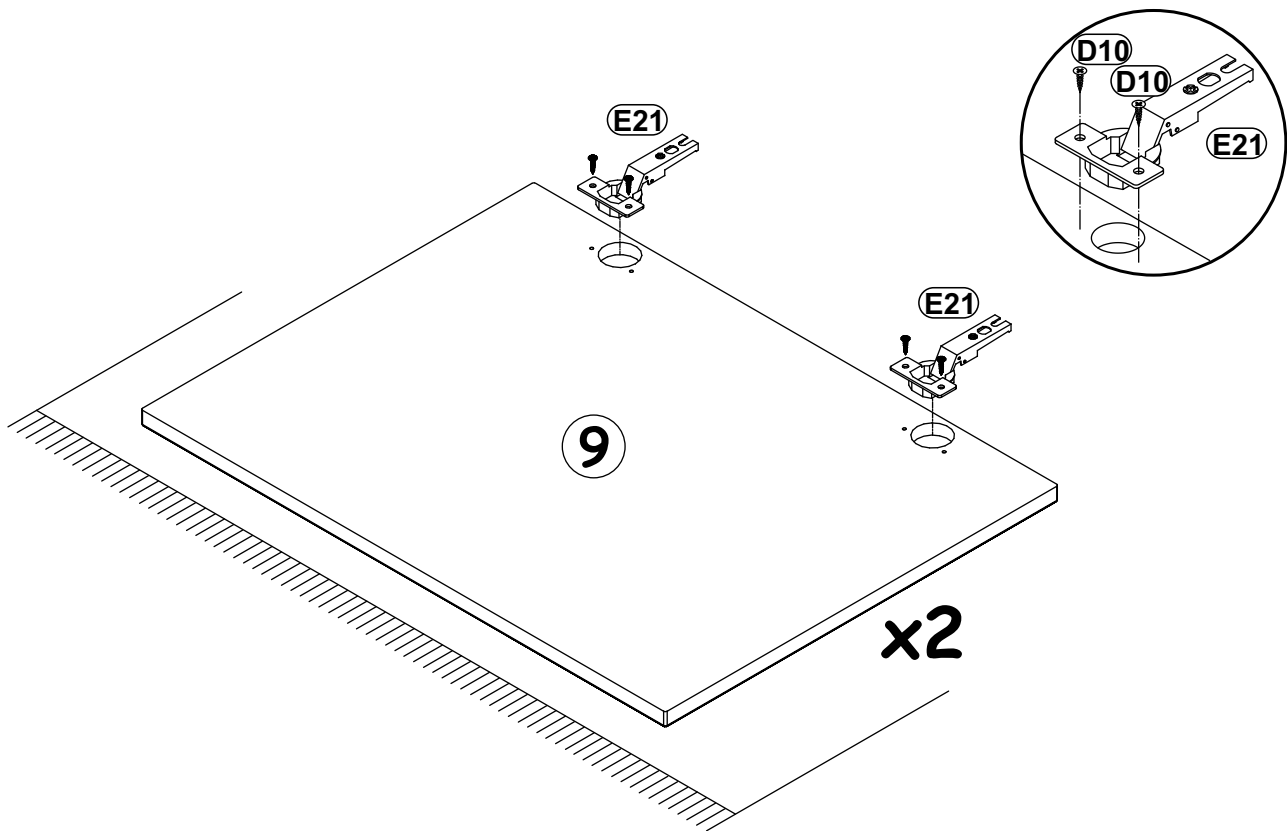
| | | | |
|----|---|----|---|
| A1 |  | B5 |  |
| x6 | Ø8x36 | x6 | Ø15x12 |




6

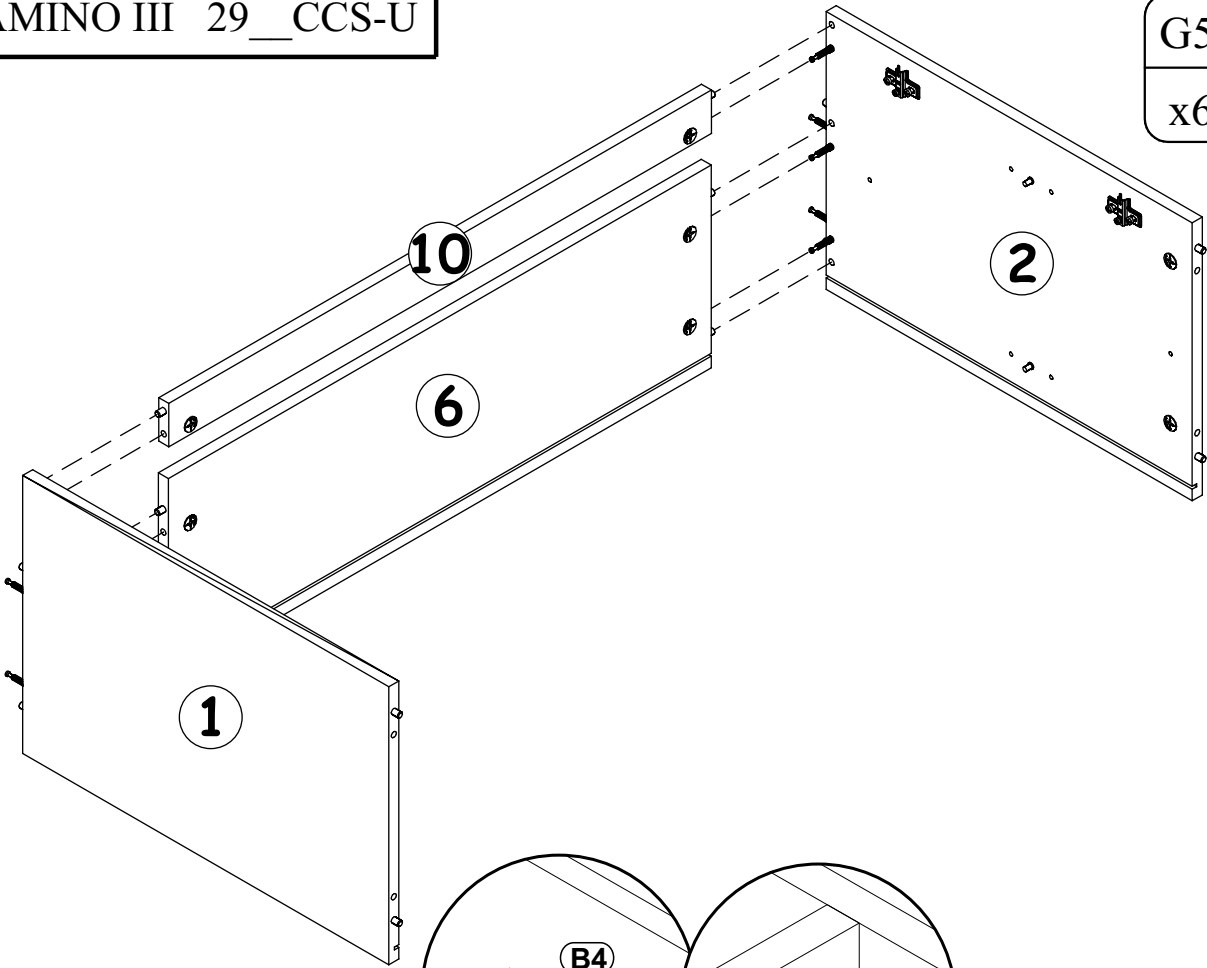


| | | | |
|-----|---|-----|---|
| E21 |  | D10 |  |
| x4 | Ø35 H=0 | x8 | USØ3,5x13 |




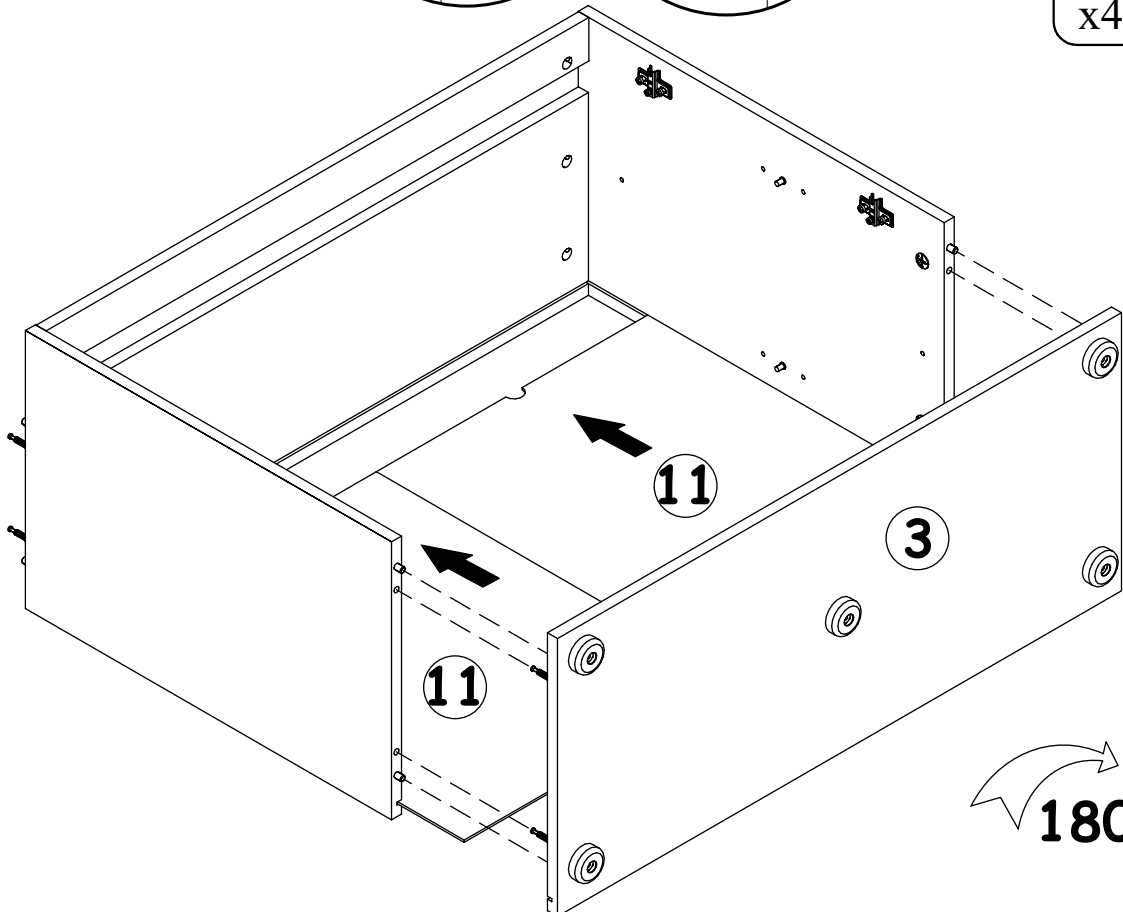
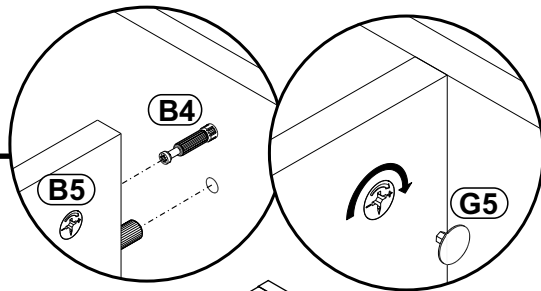
7

| | |
|----|---|
| G5 |  |
| x6 | |

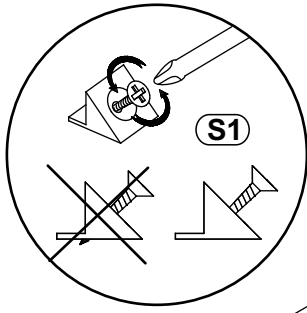


8

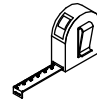
| | |
|----|---|
| G5 |  |
| x4 | |



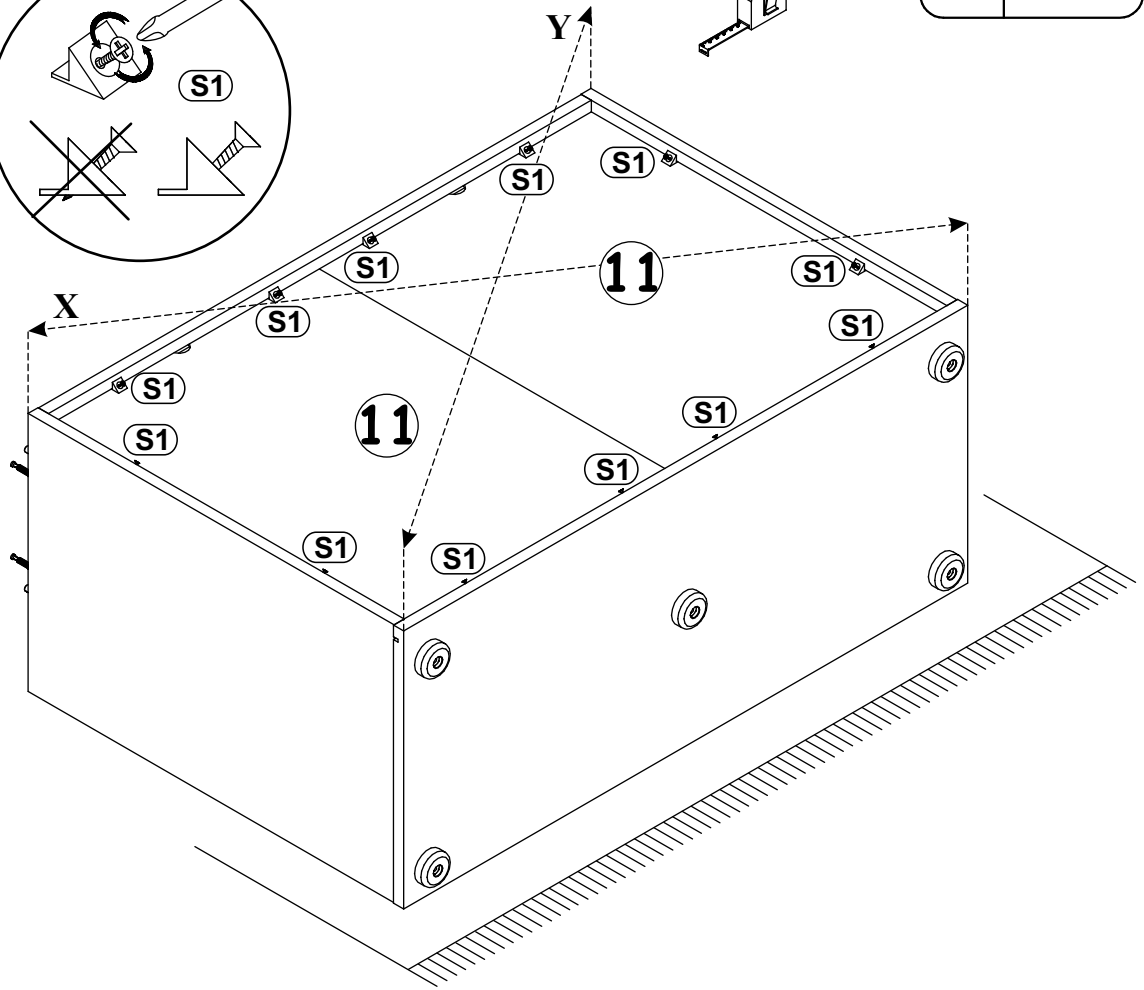
9



$X=y$ 90°

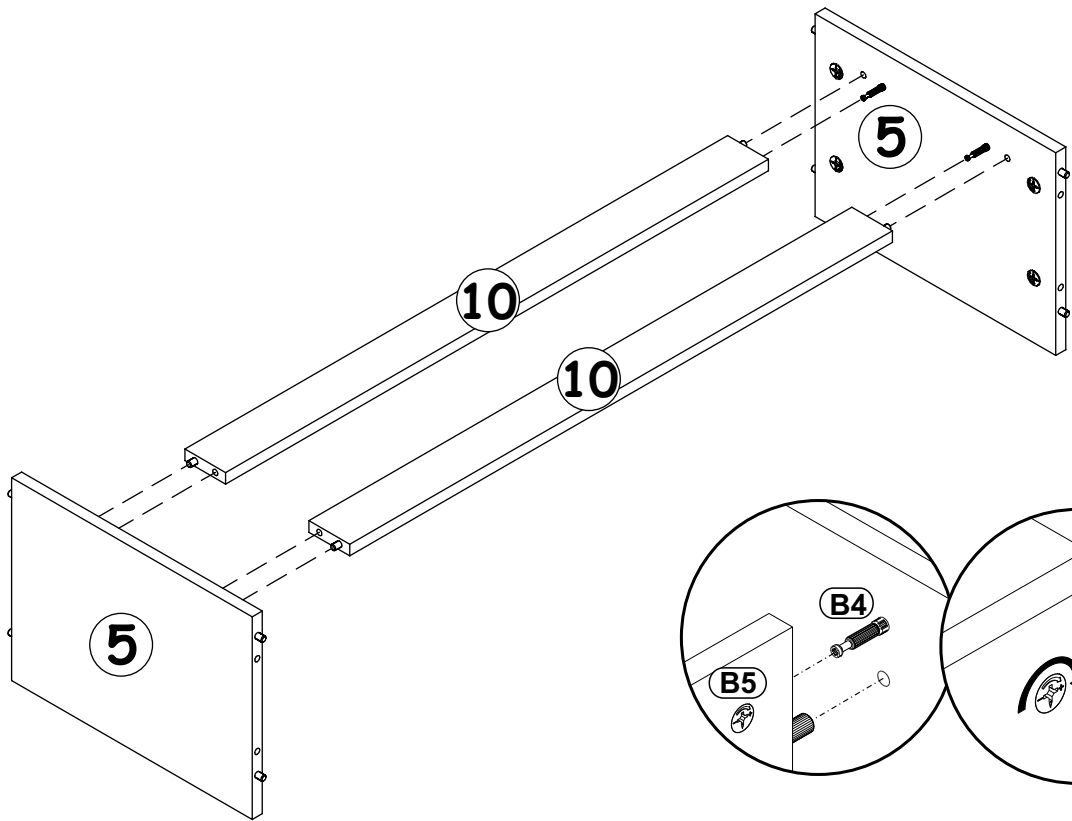


| | |
|-----|--|
| S1 | |
| x12 | |

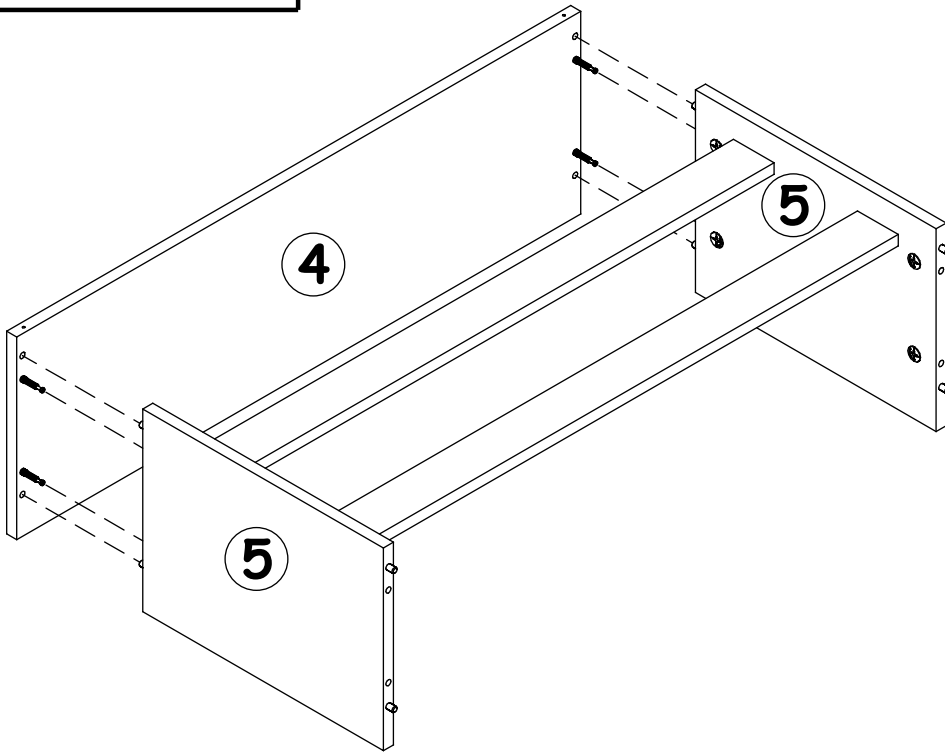



10

| | |
|----|--|
| G5 | |
| x4 | |

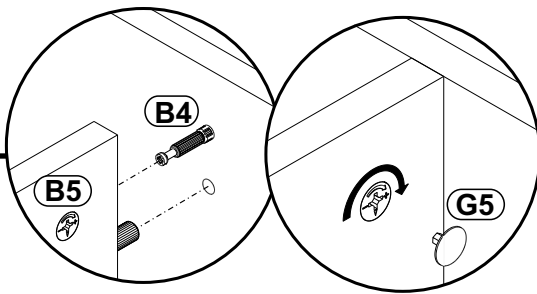



11




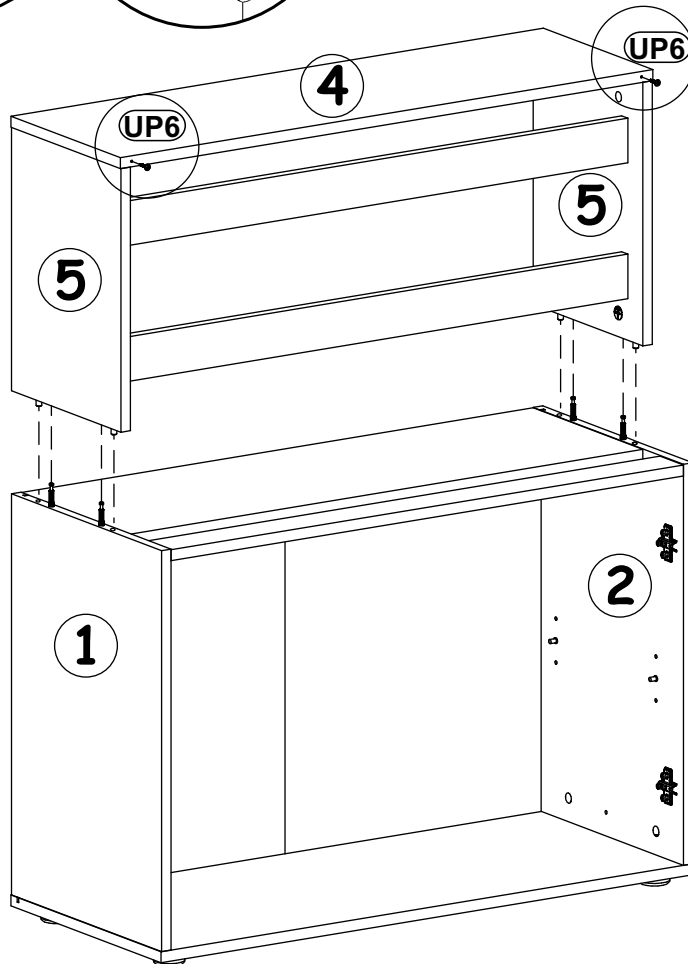
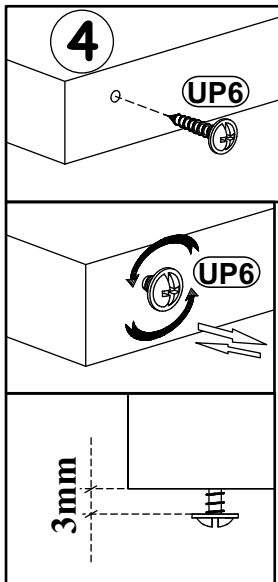
| | |
|----|---|
| G5 |  |
| x4 | |

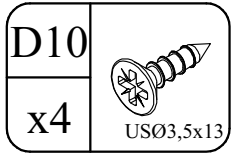
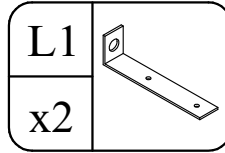
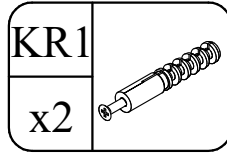
12



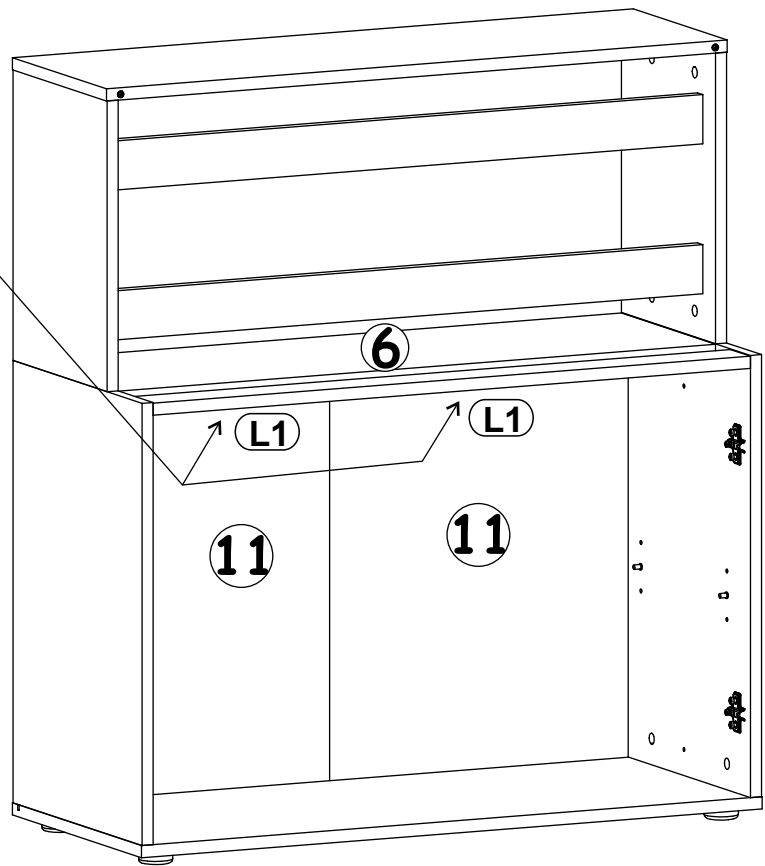
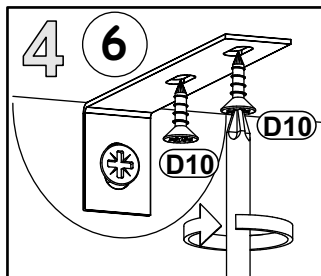
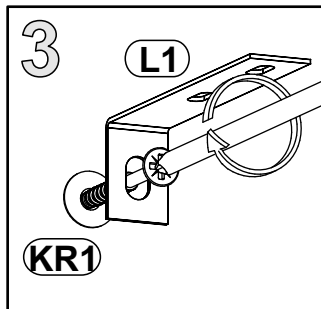
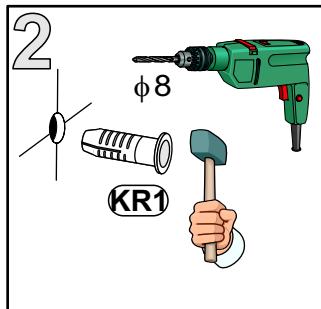
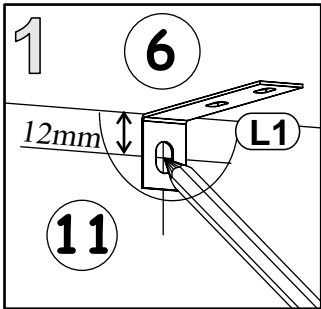
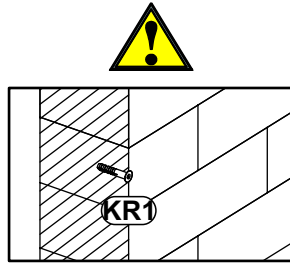
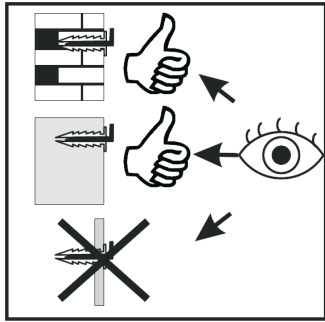
| | |
|-----|---|
| UP6 |  |
| x2 | UPØ4x30 |

| | |
|----|---|
| G5 |  |
| x4 | |

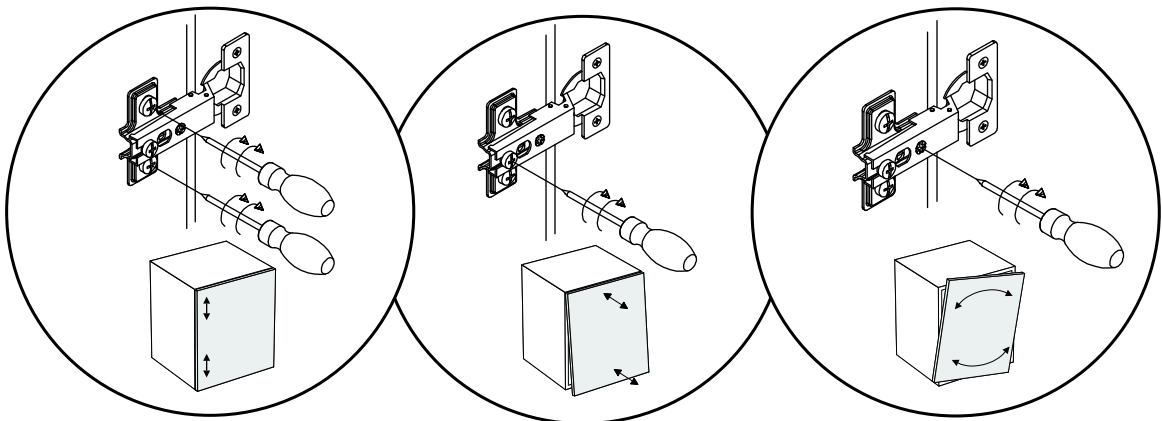
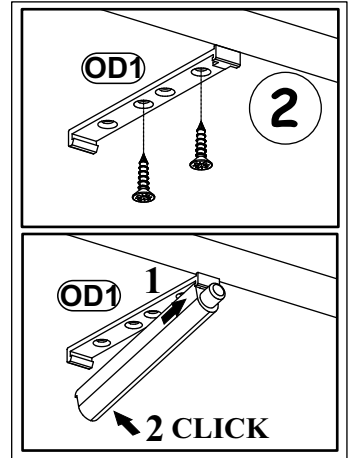
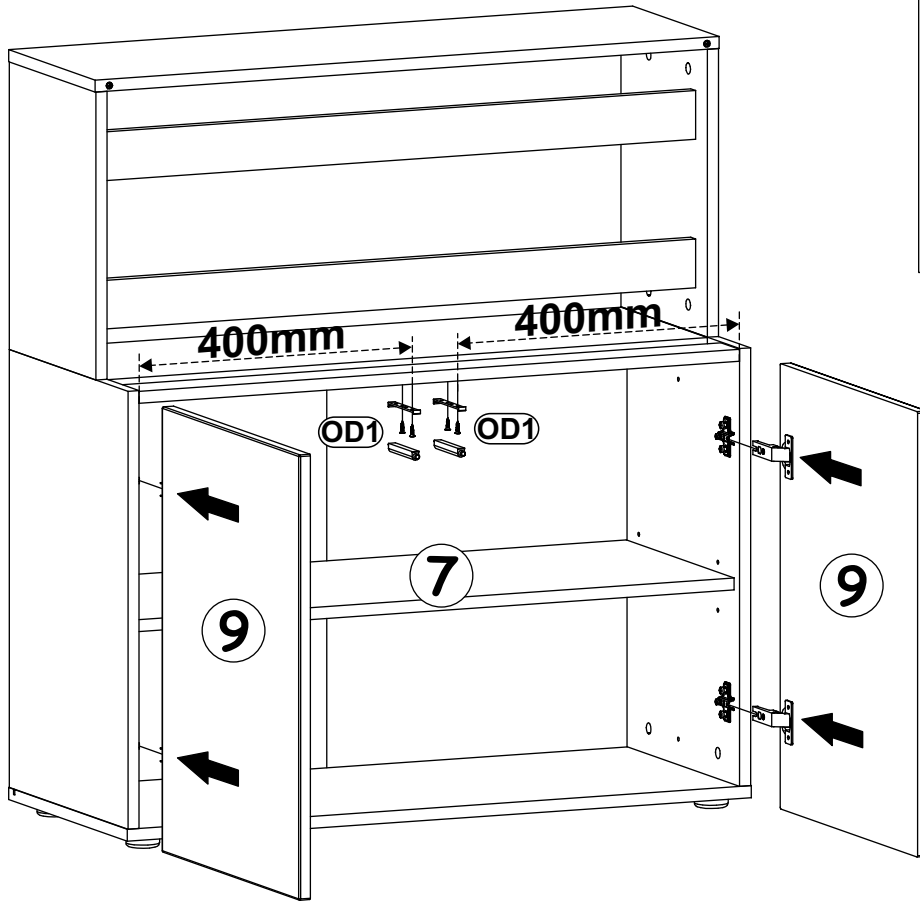
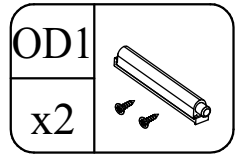


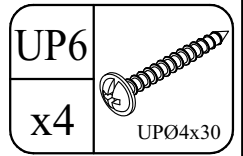


13



14





15

29__CCS-A

29__CCS-A

