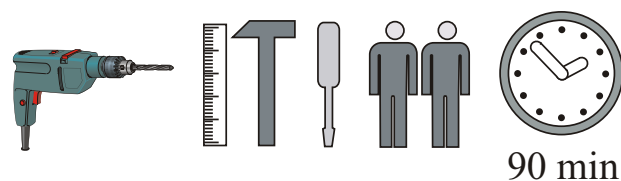
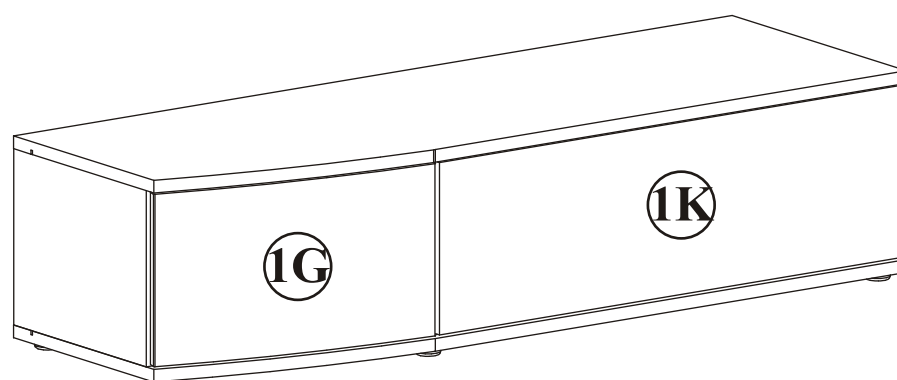
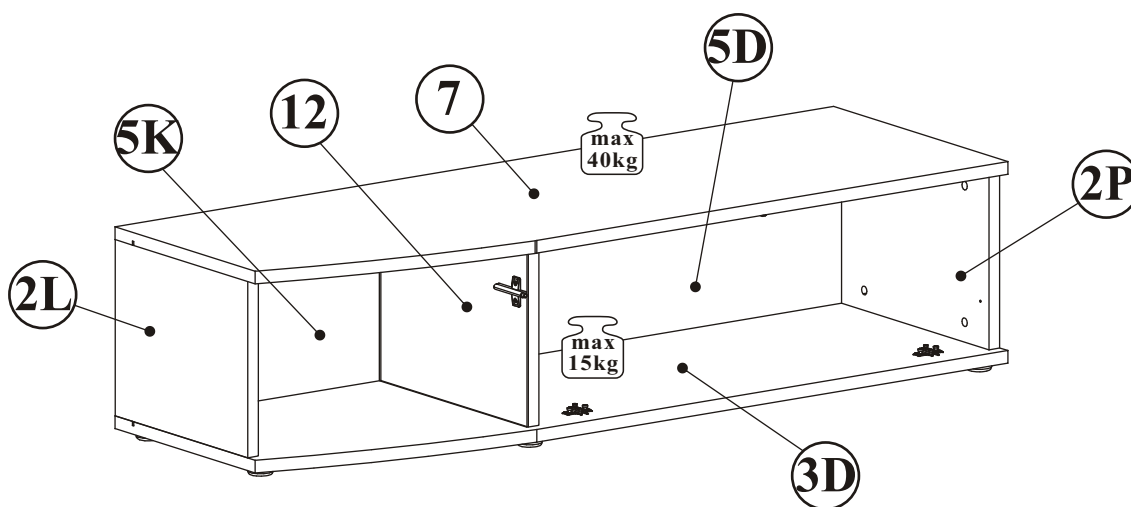
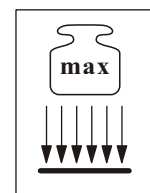


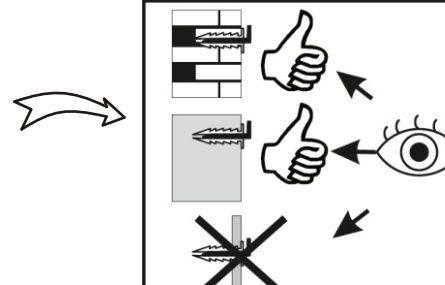
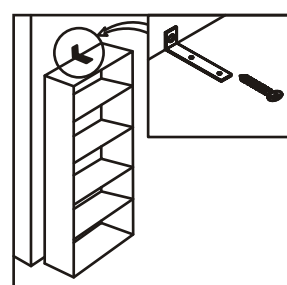
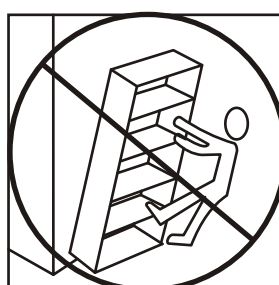
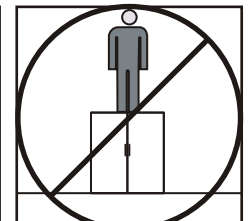
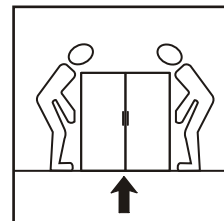
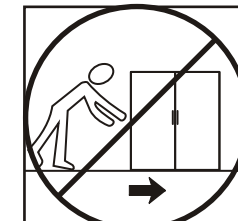
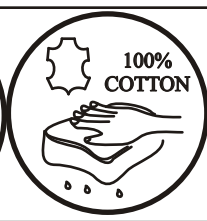
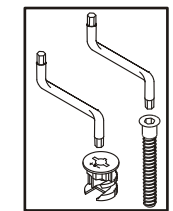
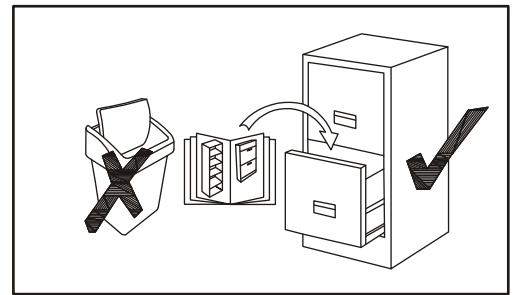
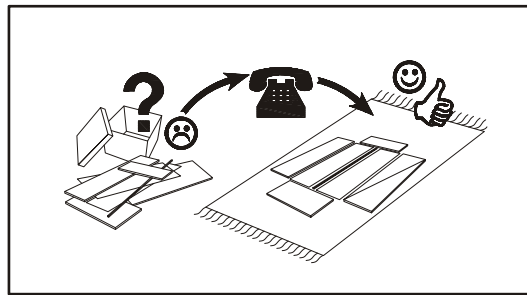
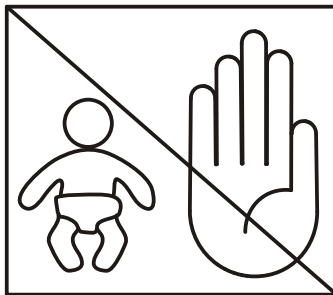
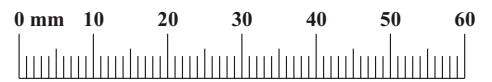
# MANHATAN TYP-31



NO	Dim.			Col-No	Qty
2L	306	380	22	1/6	1
2P	306	477	22	1/6	1
12	306	423	22	1/6	1
3D	1501	500	22	1/6	1
5D	318	957	3	1/6	1
5K	318	510	3	1/6	1
7	1501	500	22	1/6	1
1G	523	299	18	3/6	1
1K	970	299	19	3/6	1

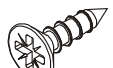
# MANHATAN TYP-31

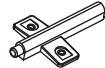
A1 x12 ø8x36	B4 x12	B16 x12 Ø15x16	G5 x12	E2 x2 H=0	E21 x2 Ø35 H=0
UP11 x6 UPØ4x20	I11 x6 Ø45, h=15	UP13 x2 UPØ3x16	G16 x2	L1 x1	KR1 x1
D10 x18 USØ3,5x13	S1 x12	E4 x2 H=2	E25 x2 Ø35 H=16	BO1 x2	G2 x1
T3 x2					





MANHATAN TYP-31

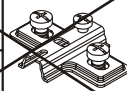
1

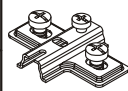
D10	
x2	US03,5x13

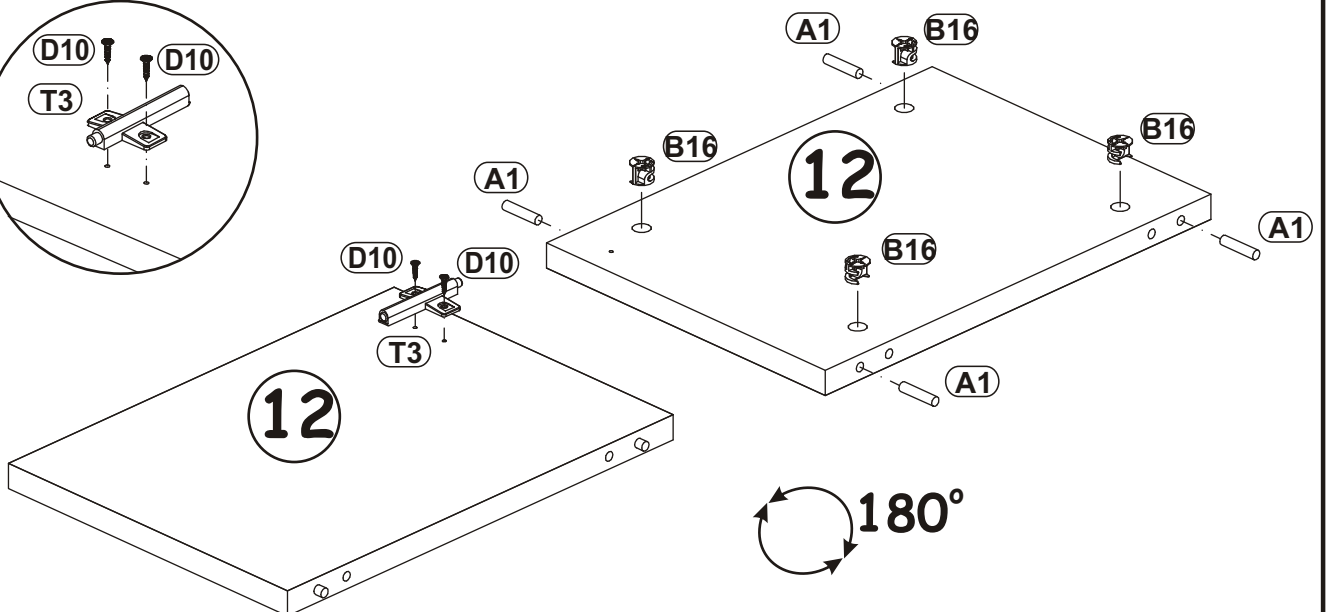
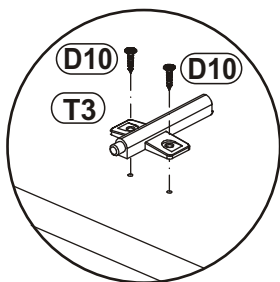
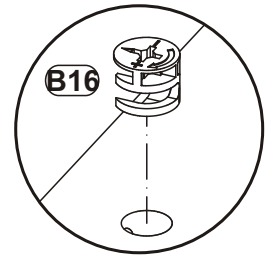
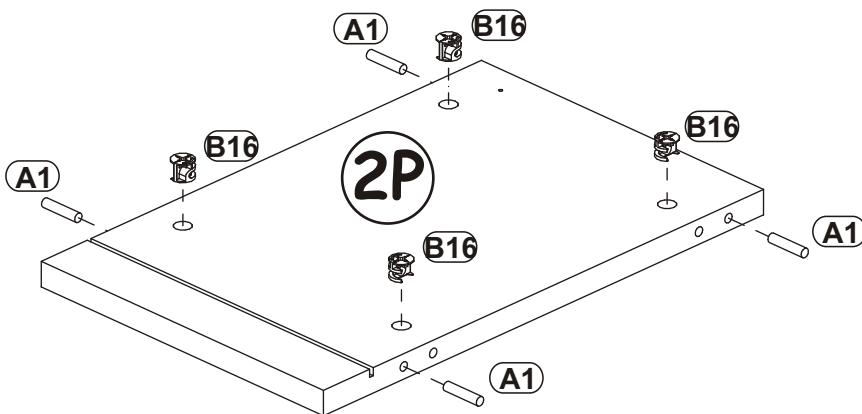
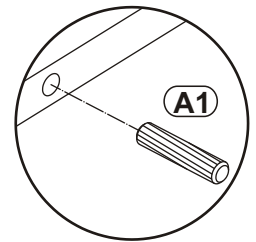
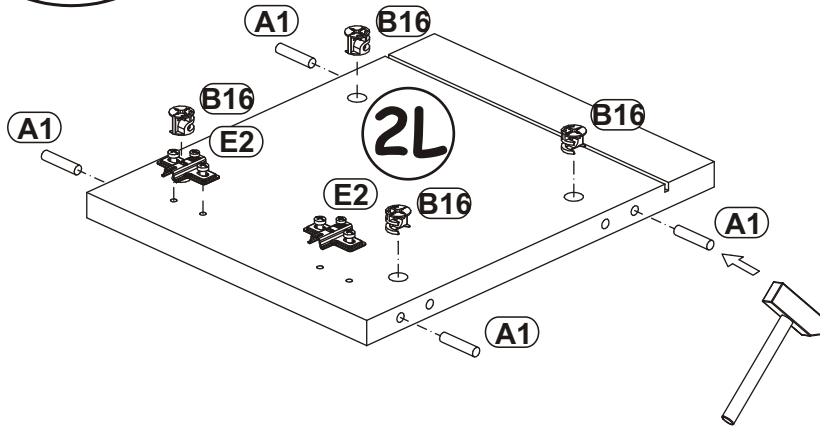
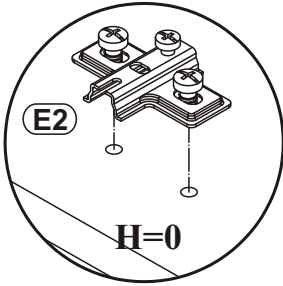
T3	
x1	

B16	
x12	Ø15x16

A1	
x12	ø8x36

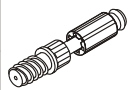

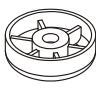
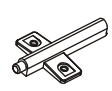
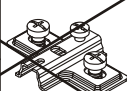
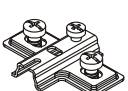

<del>E4</del>	<del></del>
<del>x2</del>	<del>H=2</del>

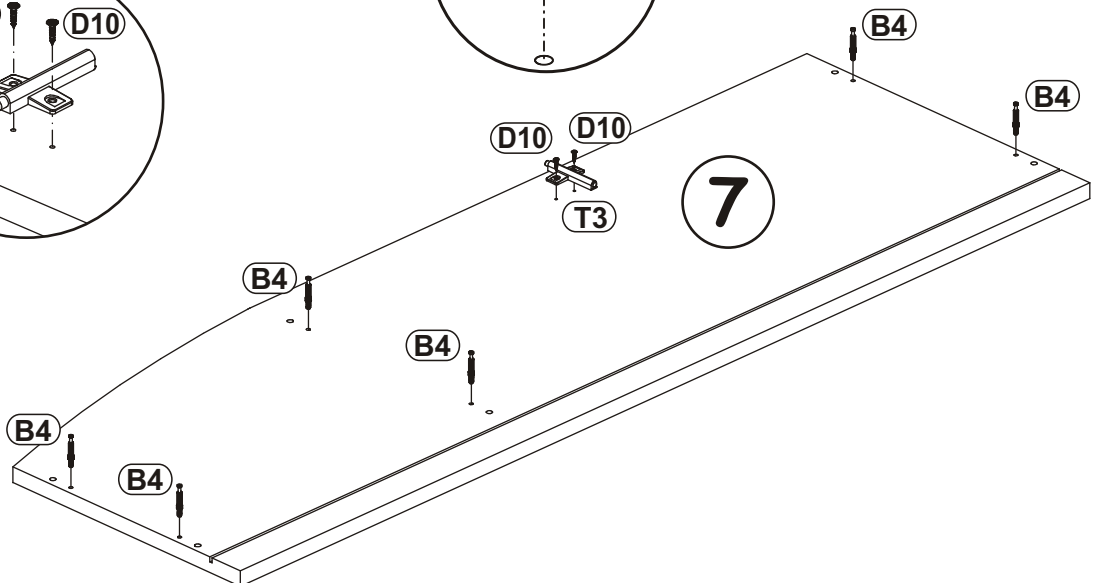
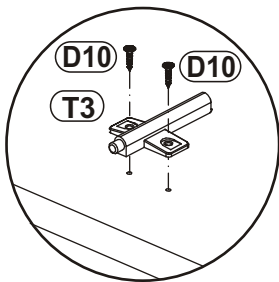
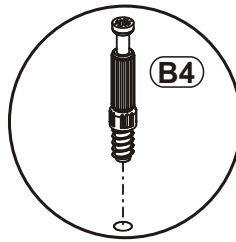
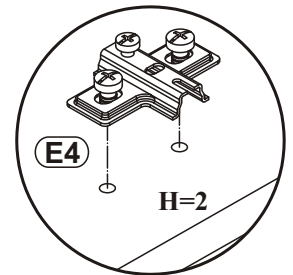
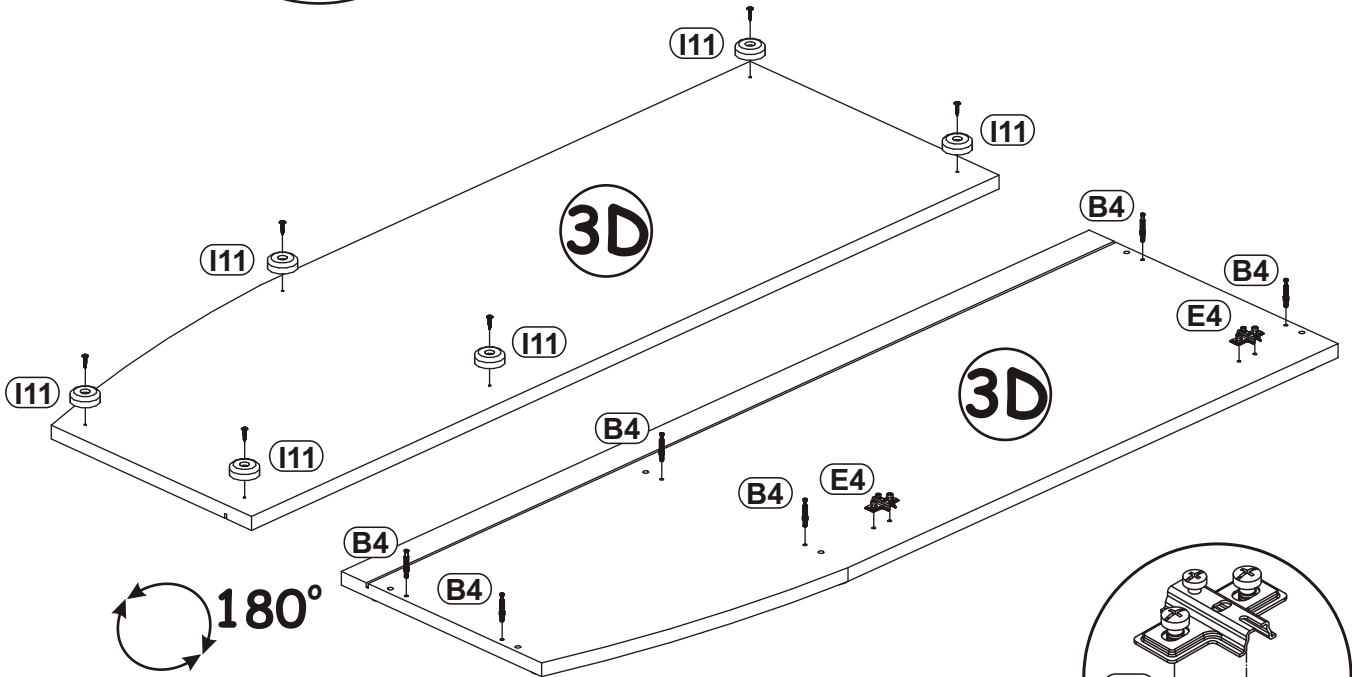
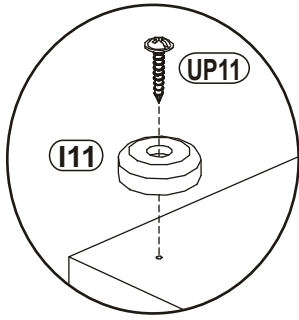
E2	
x2	H=0



MANHATAN TYP-31

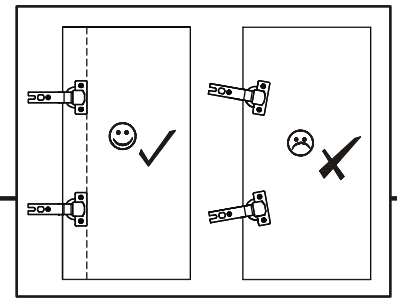
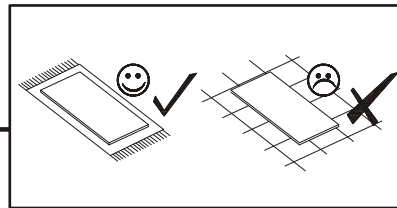
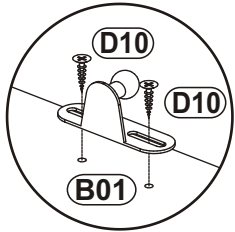
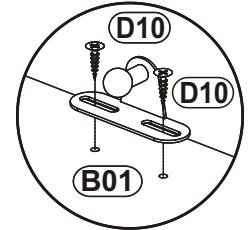
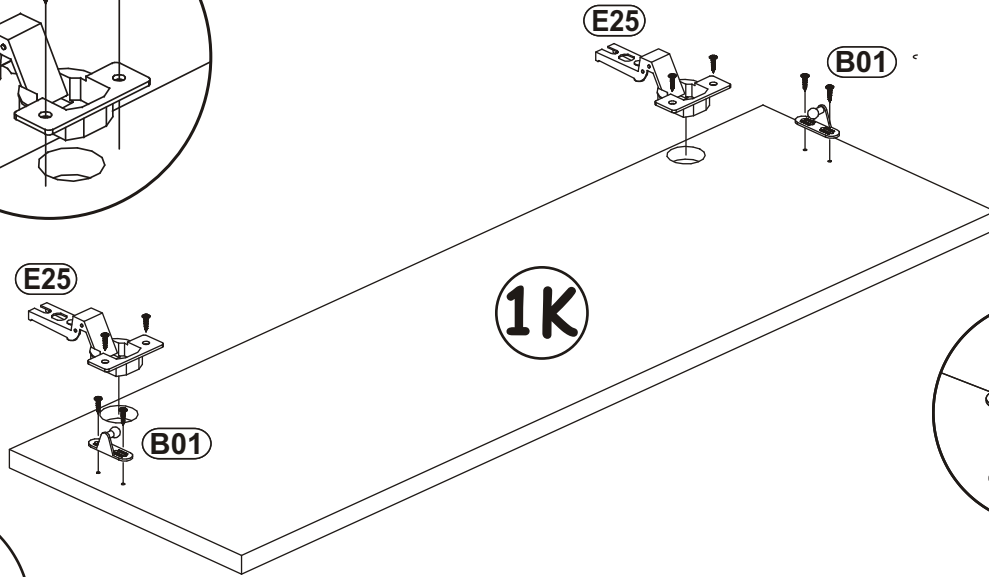
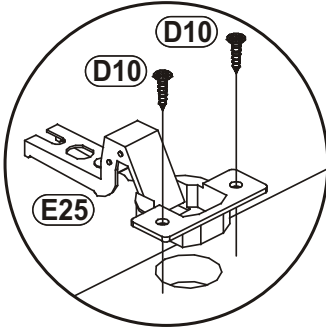
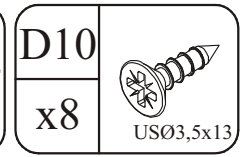
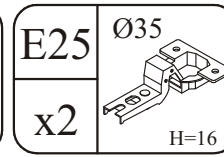
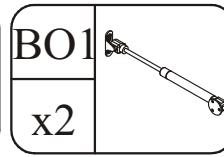
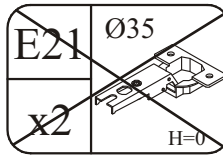
2

B4		UP11		I11	
x12		x6	UPØ4x20	x8	Ø45, h=15
T3		E2		E4	
x1		x2	H=0	x2	H=2
		D10			
		x2	USØ3,5x13		

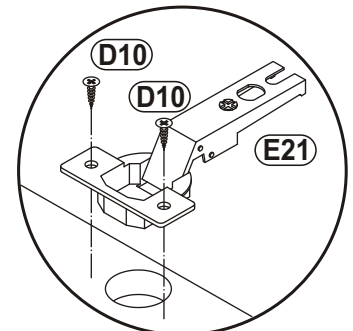
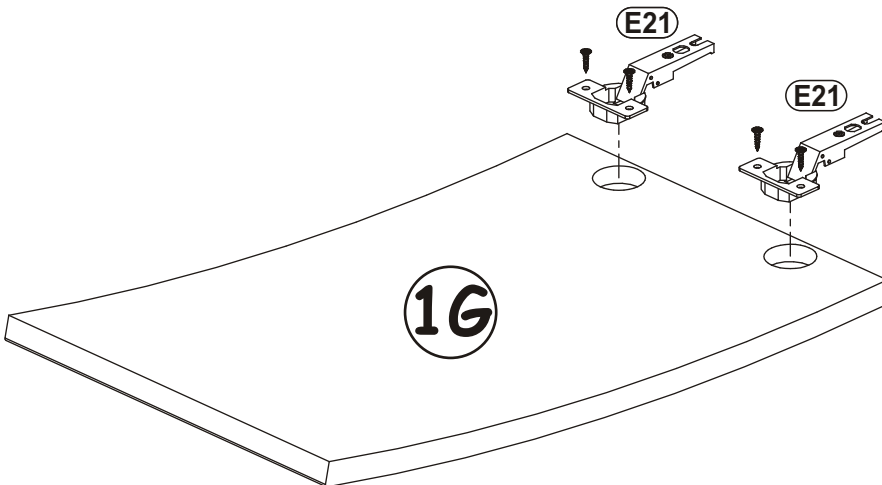
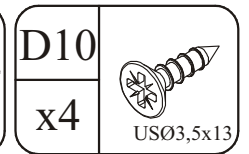
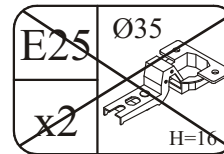
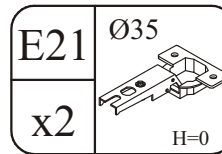


MANHATAN TYP-31


3

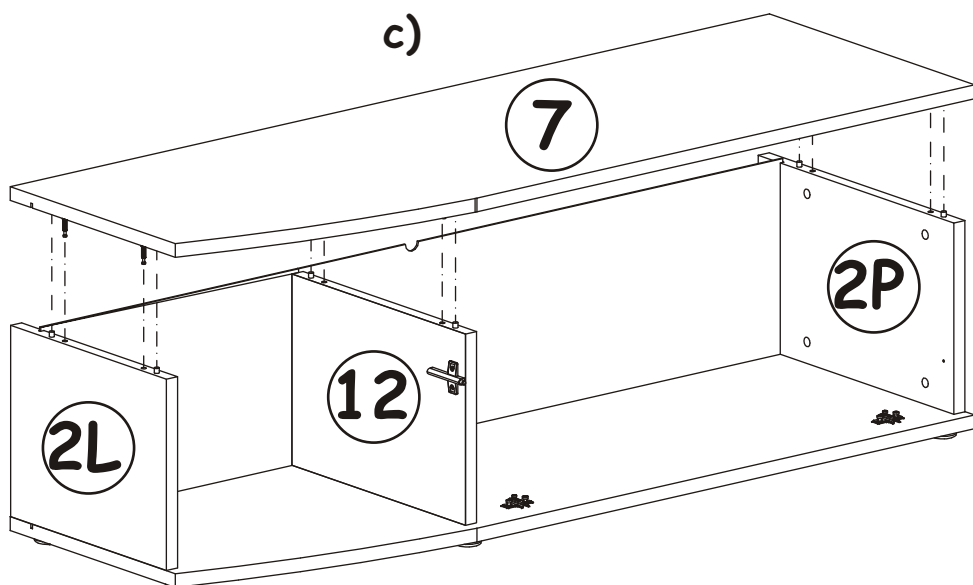
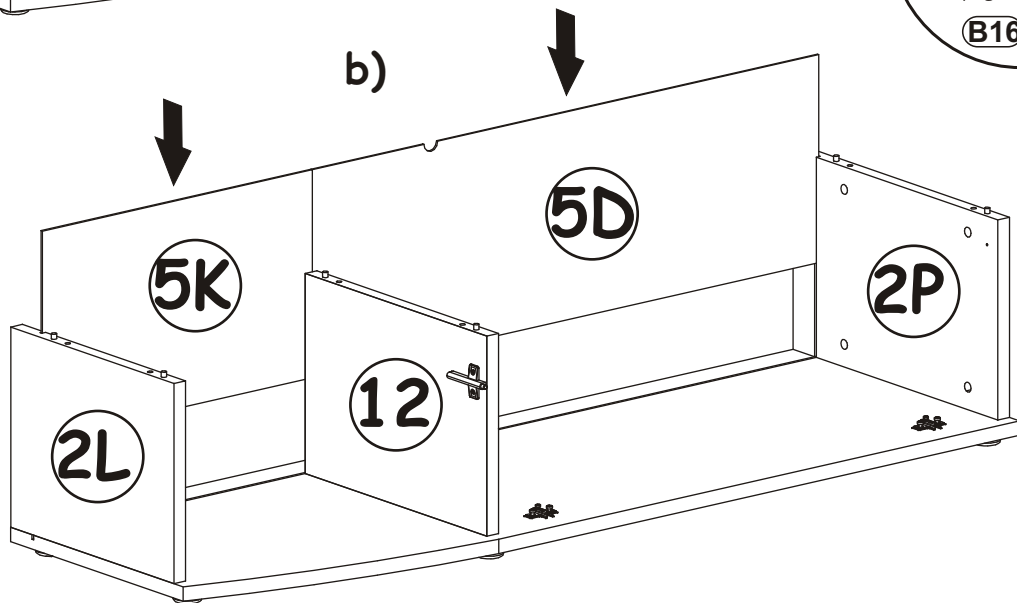
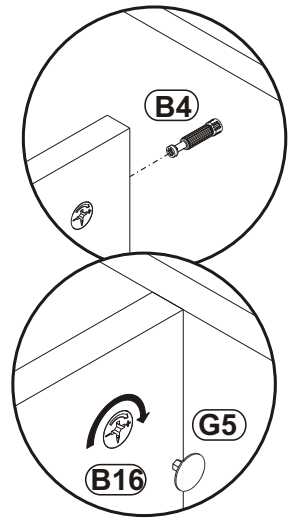
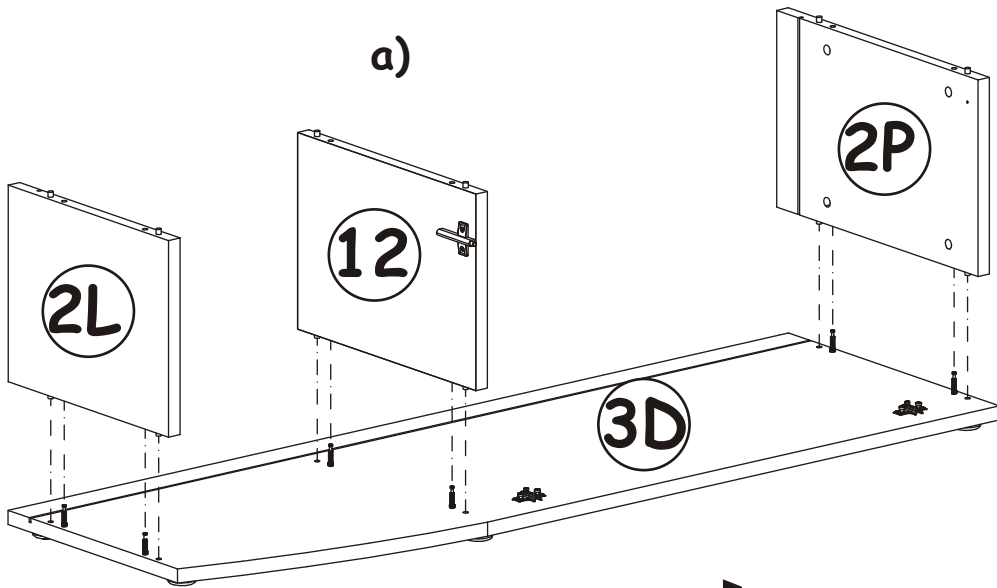


4



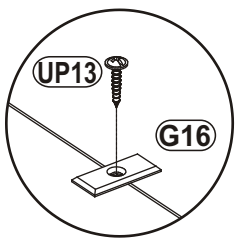
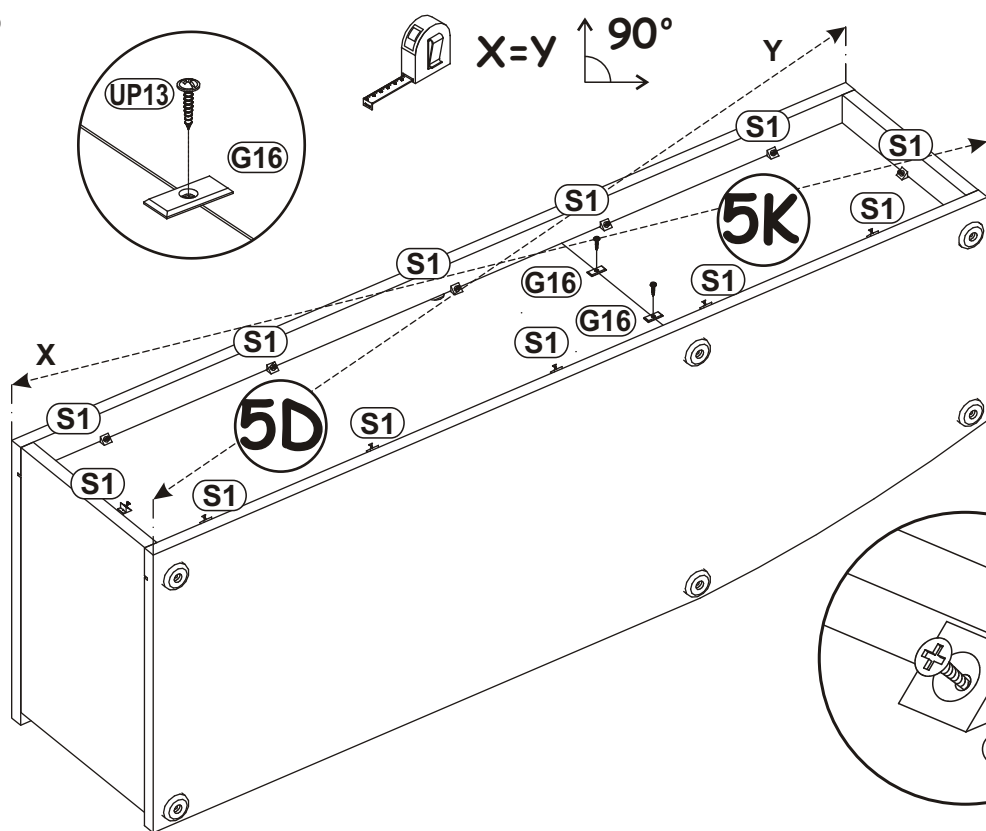
5

G5	
x12	



MANHATAN TYP-31

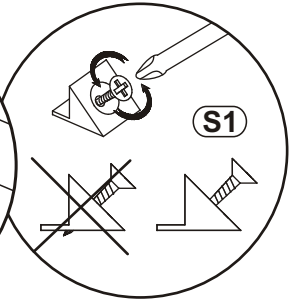
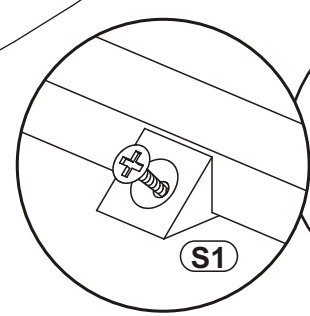
6



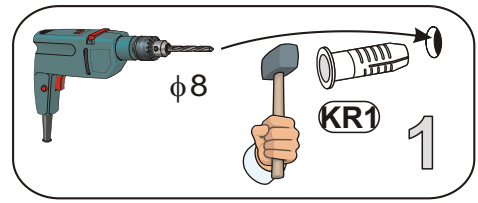
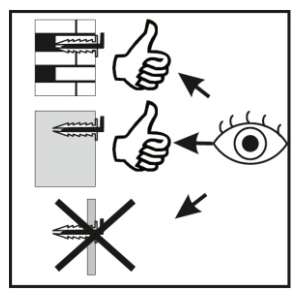
UP13	
x2	UPØ3x16

S1	
x12	

G16	
x2	



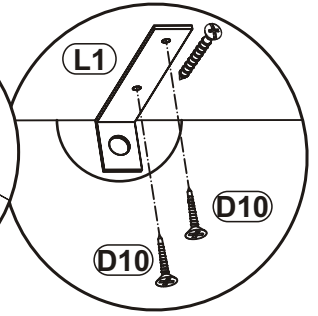
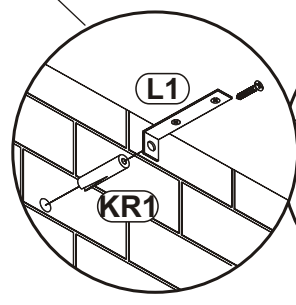
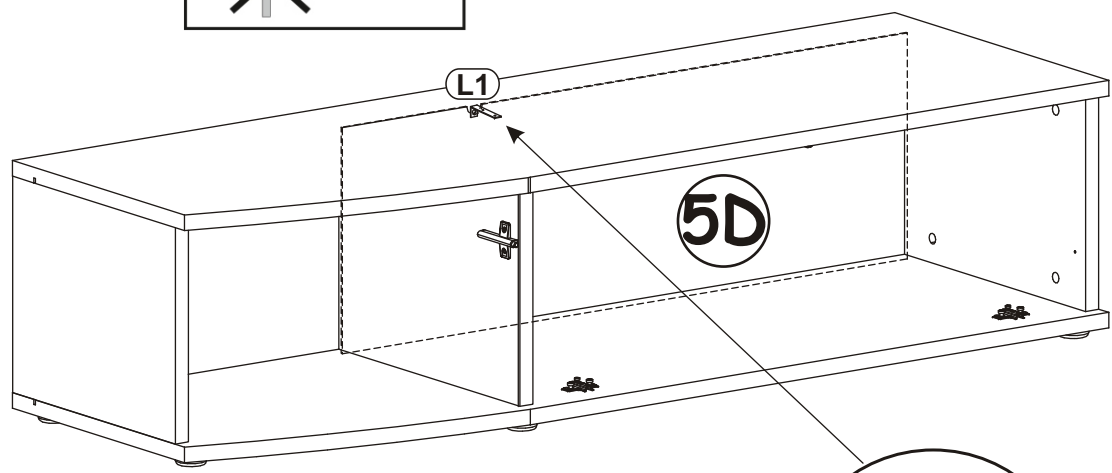
7



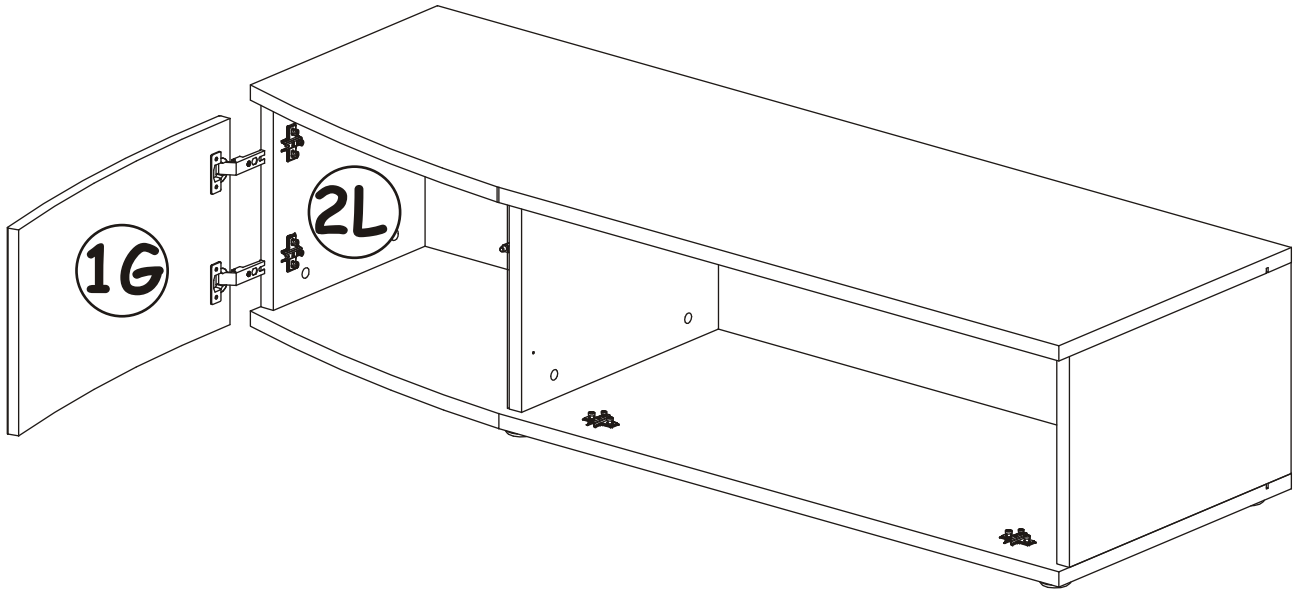
KR1	
x1	

D10	
x2	USØ3,5x13

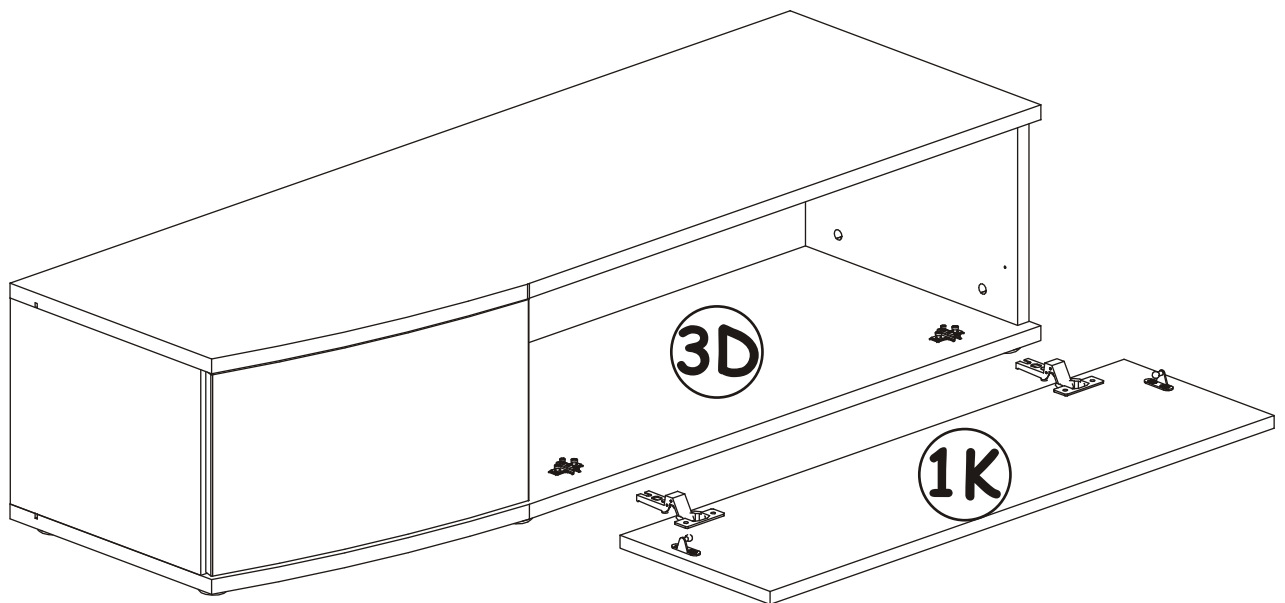
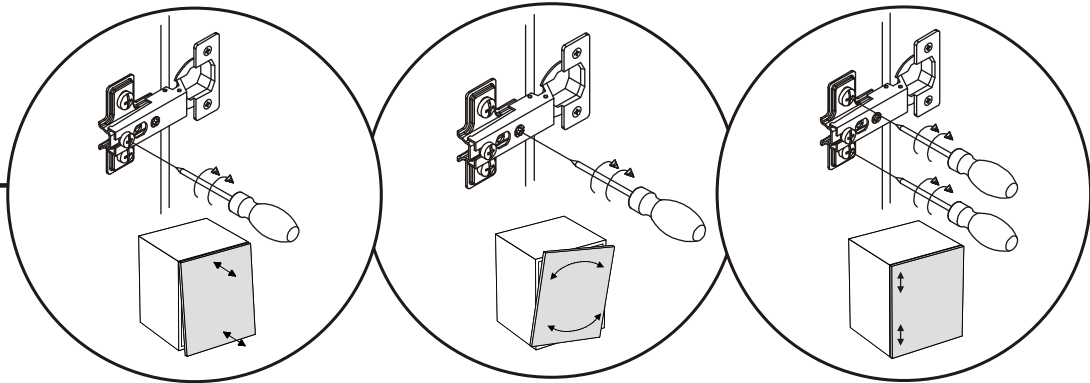
L1	
x1	



8

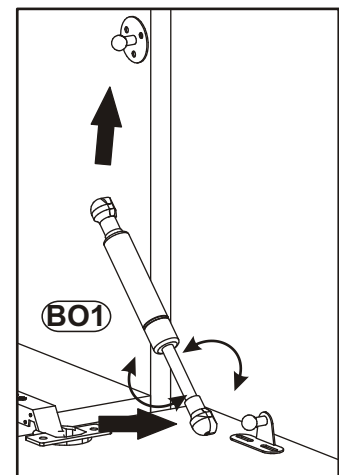
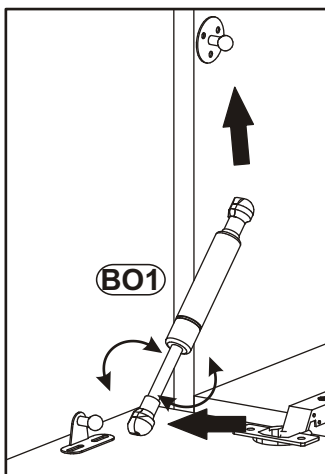
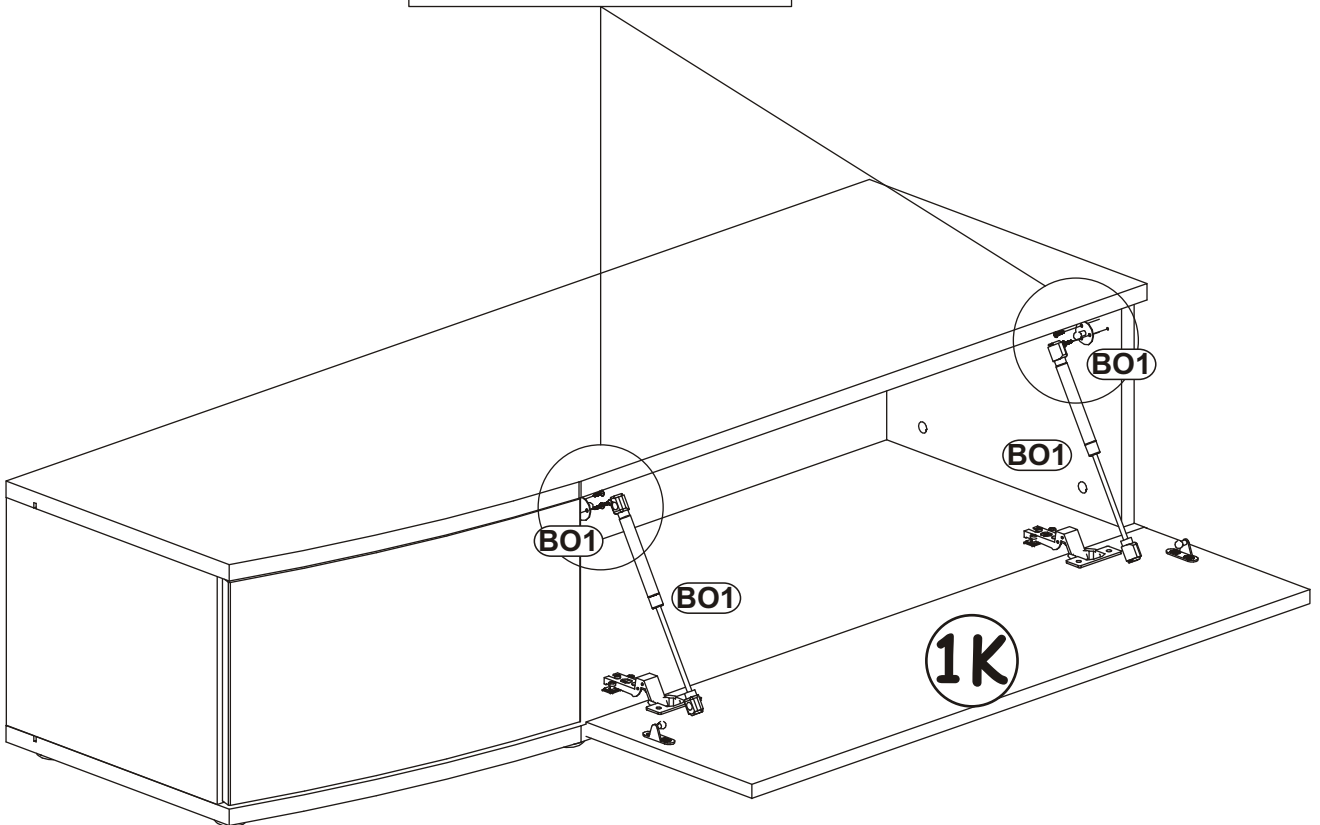
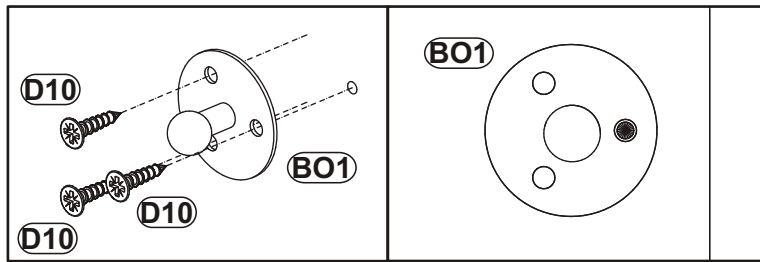
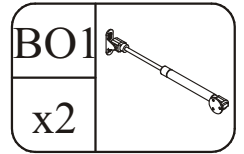


9

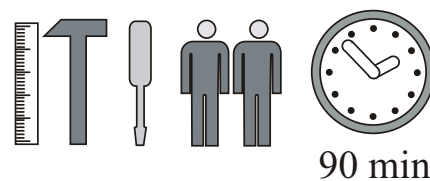
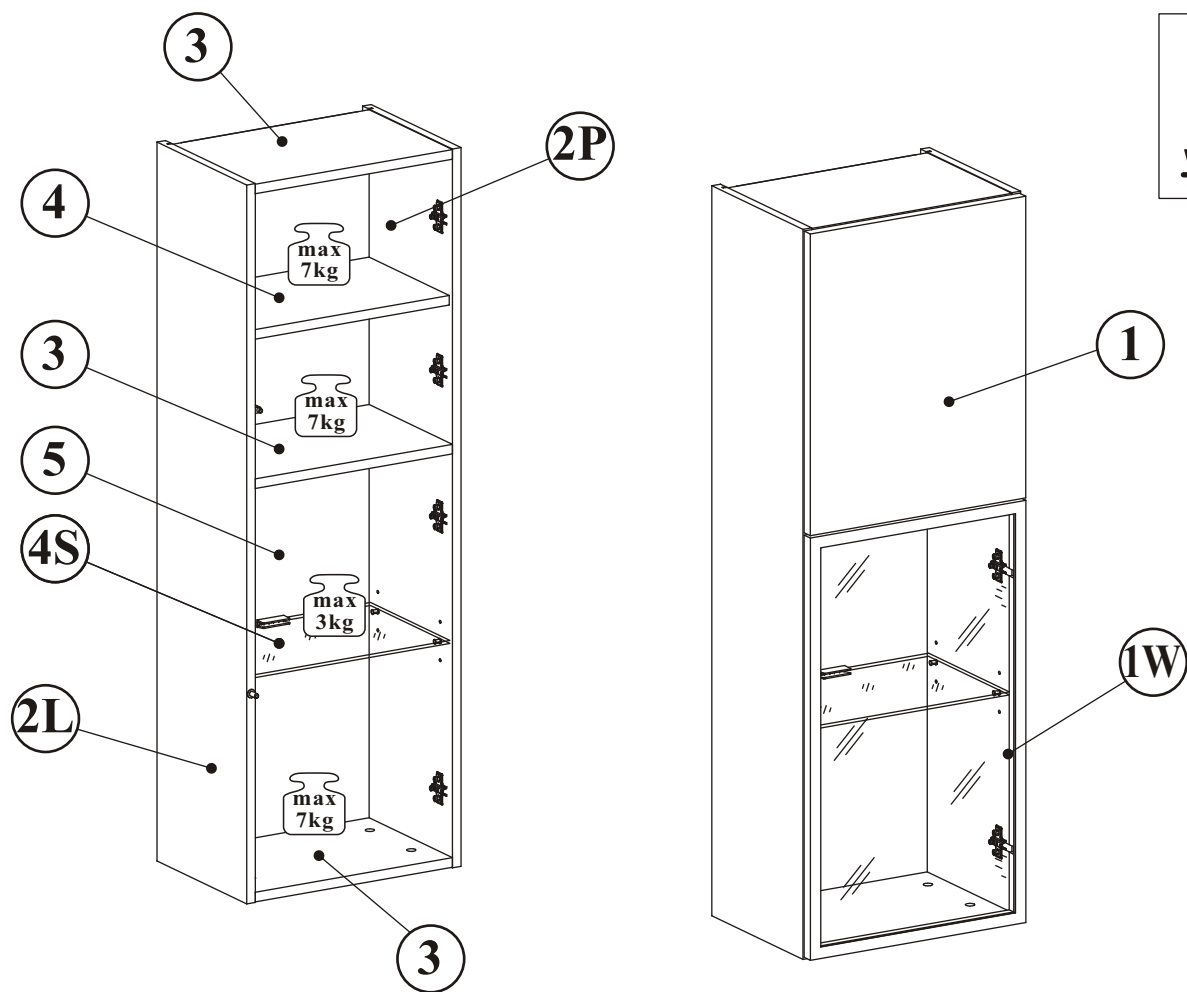




10



# MANHATAN TYP-20

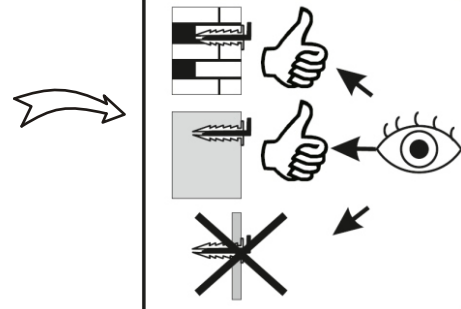
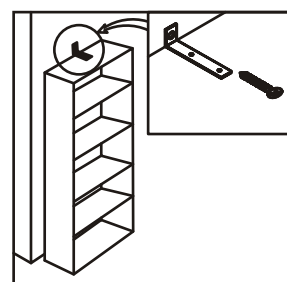
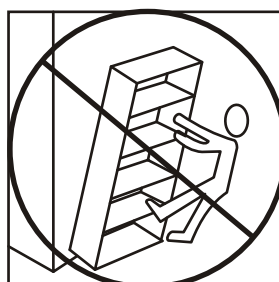
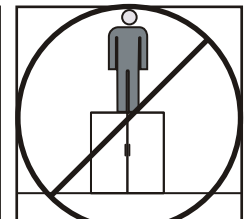
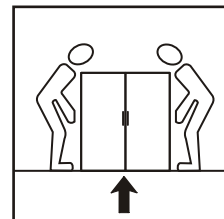
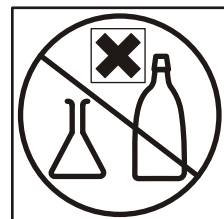
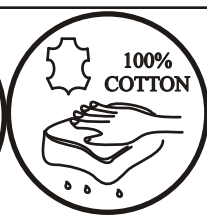
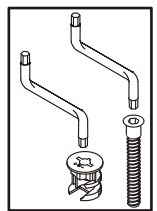
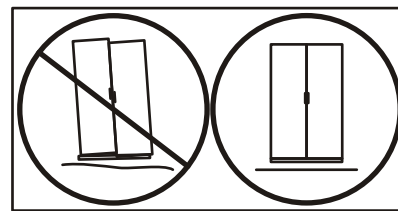
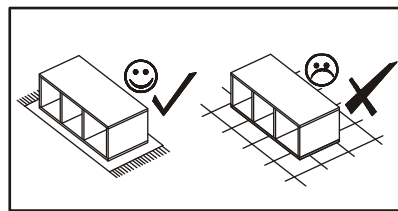
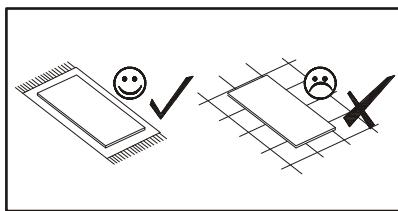
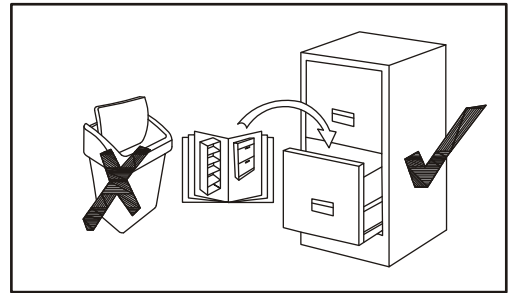
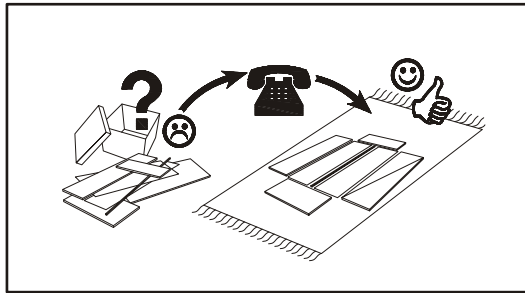
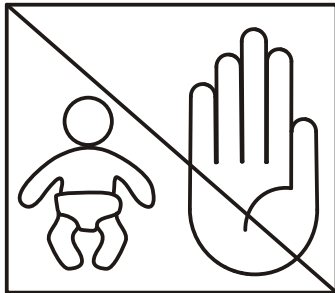
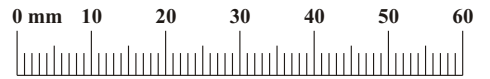


NO	Dim.			Col-No	Qty
1W	396	694	19	4/6	1
1	396	496	19	4/6	1
2L	1200	277	16	4/6	1
2P	1200	277	16	4/6	1
3	368	257	16	4/6	3
4	368	247	16	4/6	1
4S	366	245	5	4/6	1
5	1195	380	3	4/6	1



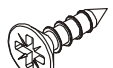
# MANHATAN TYP-20

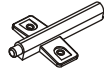
A1 x12 ø8x36	B4 x12	B5 x12 Ø15x12	G5 x12	E2 x2 H=0	E21 x2 Ø35 H=0
E30 x2 H=0	E4 x2 H=2	UP13 x9 UPØ3x16	D10 x6 USØ3,5x13	T3 x1	S1 x8
ZX1 x1	ZXP x1	G20 x4	KR3 x2 Ø10	G7 x4	G2 x1
LED x1 x1	OG x1				

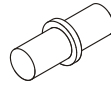


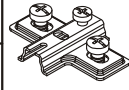
# MANHATAN TYP-20

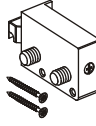
1

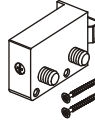
D10	
x2	USØ3,5x13

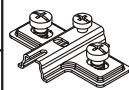
T3	
x1	

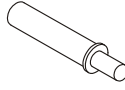
G7	
x4	

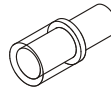
E4	
x2	H=2

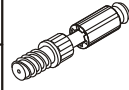
ZXL	
x1	

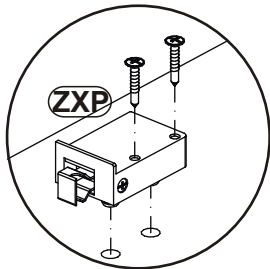
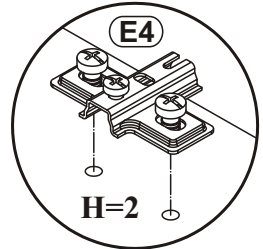
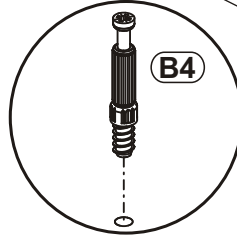
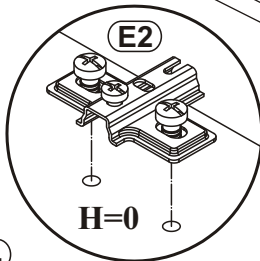
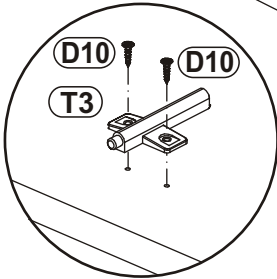
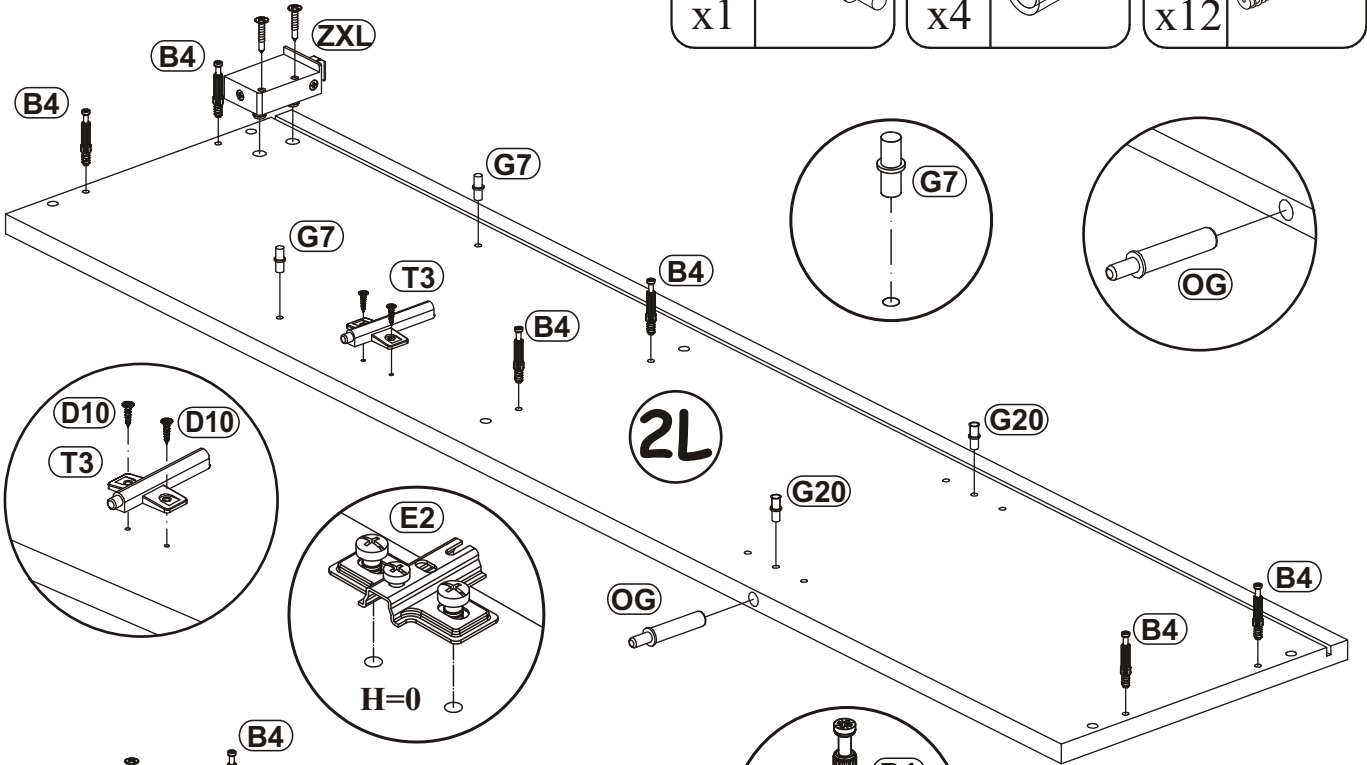
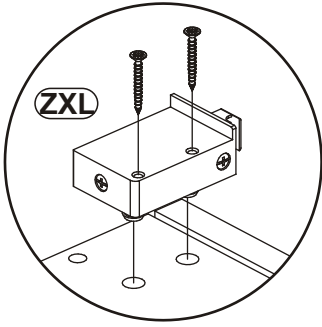
ZXP	
x1	

E2	
x2	H=0

OG	
x1	

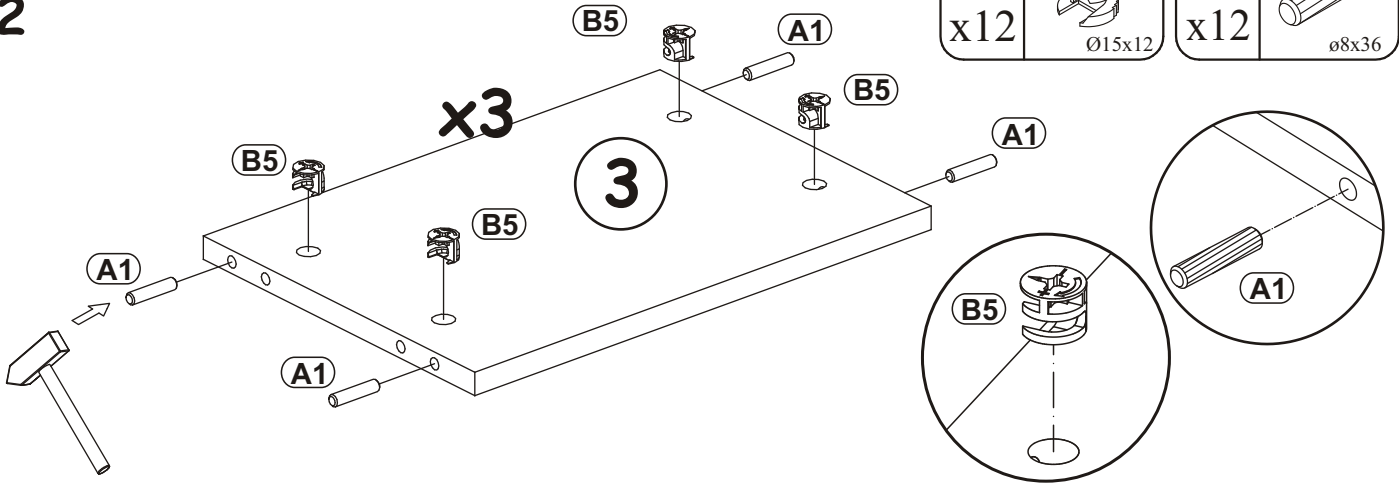
G20	
x4	

B4	
x12	

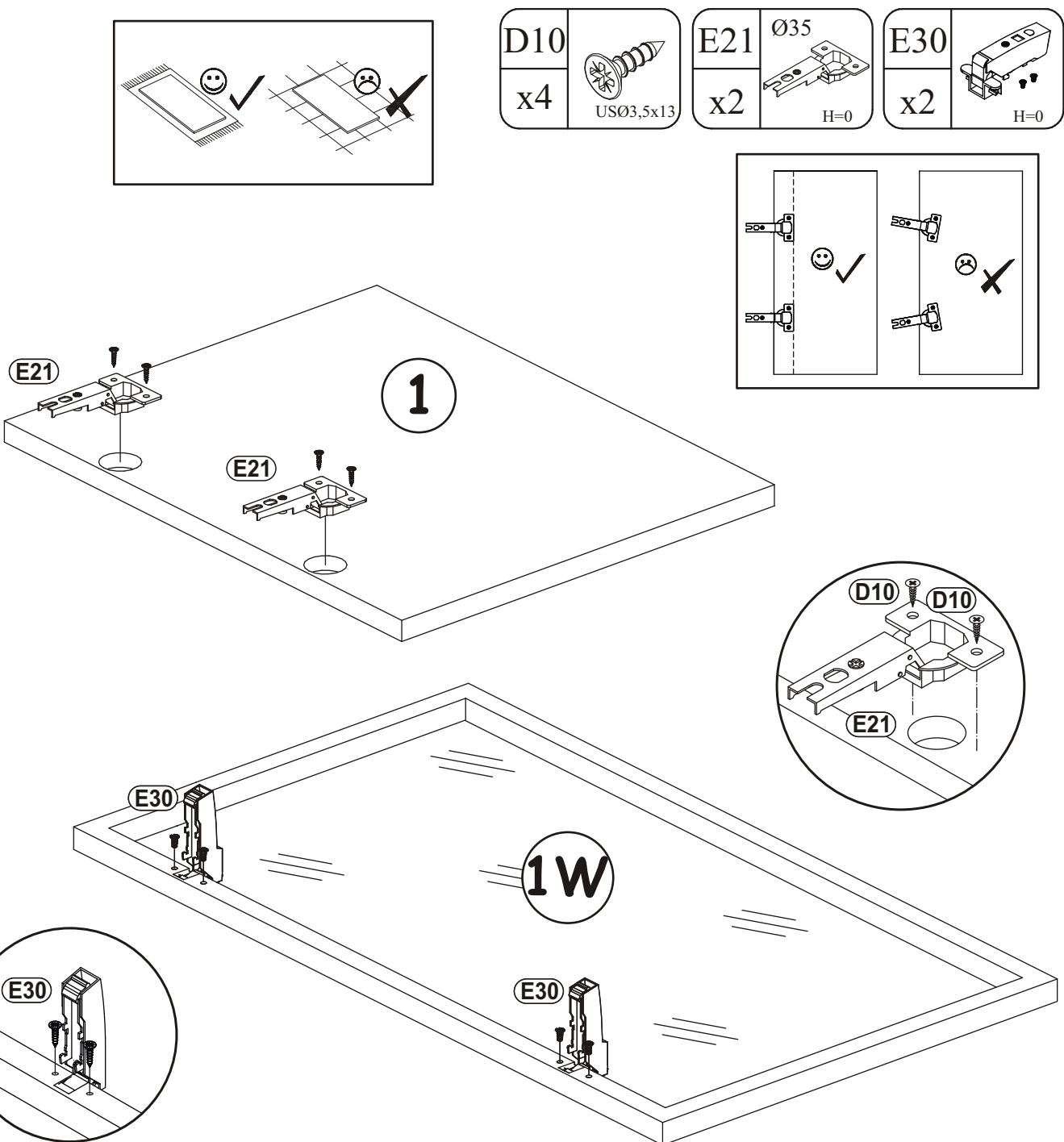


MANHATAN TYP-20

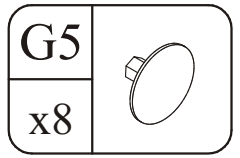
2



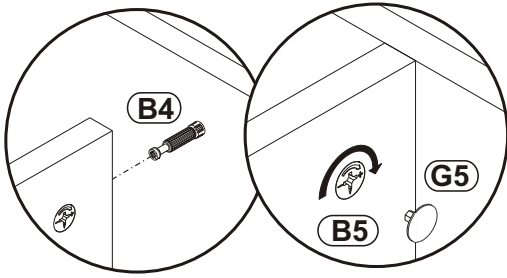
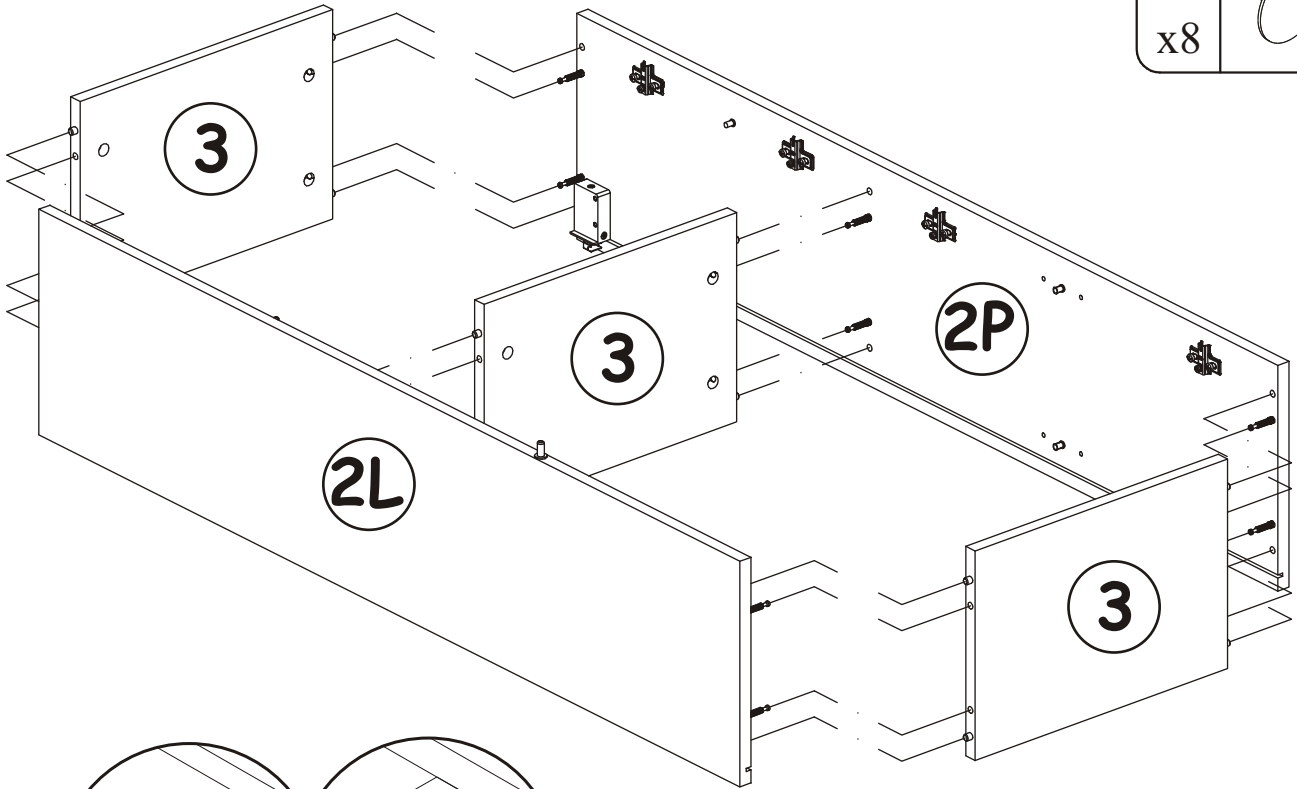
3



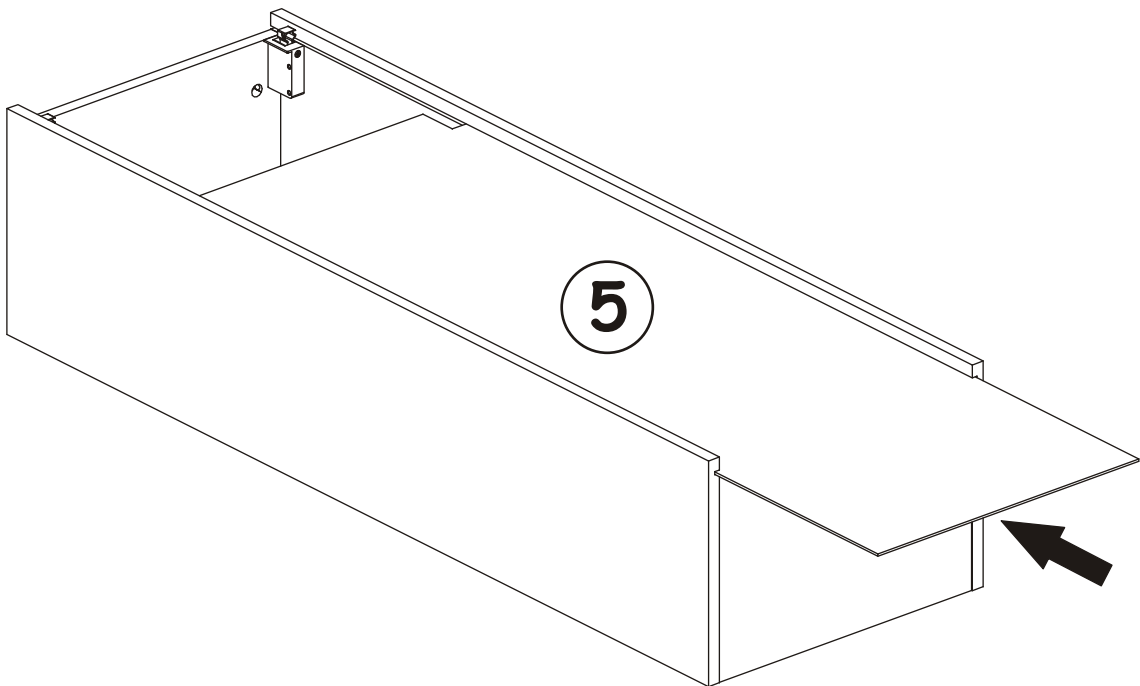
MANHATAN TYP-20




4

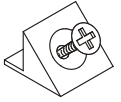


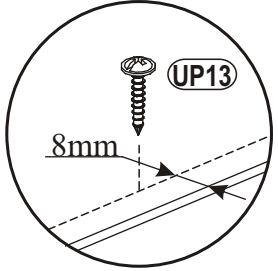
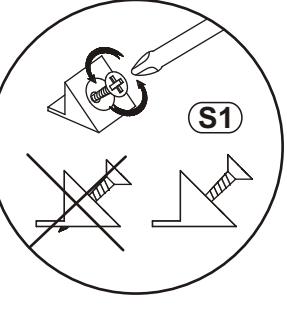
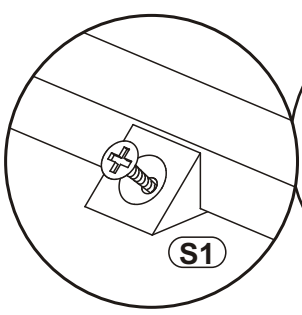
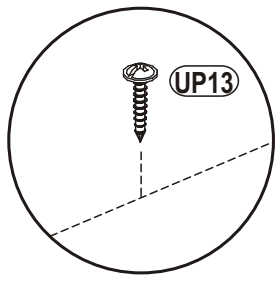
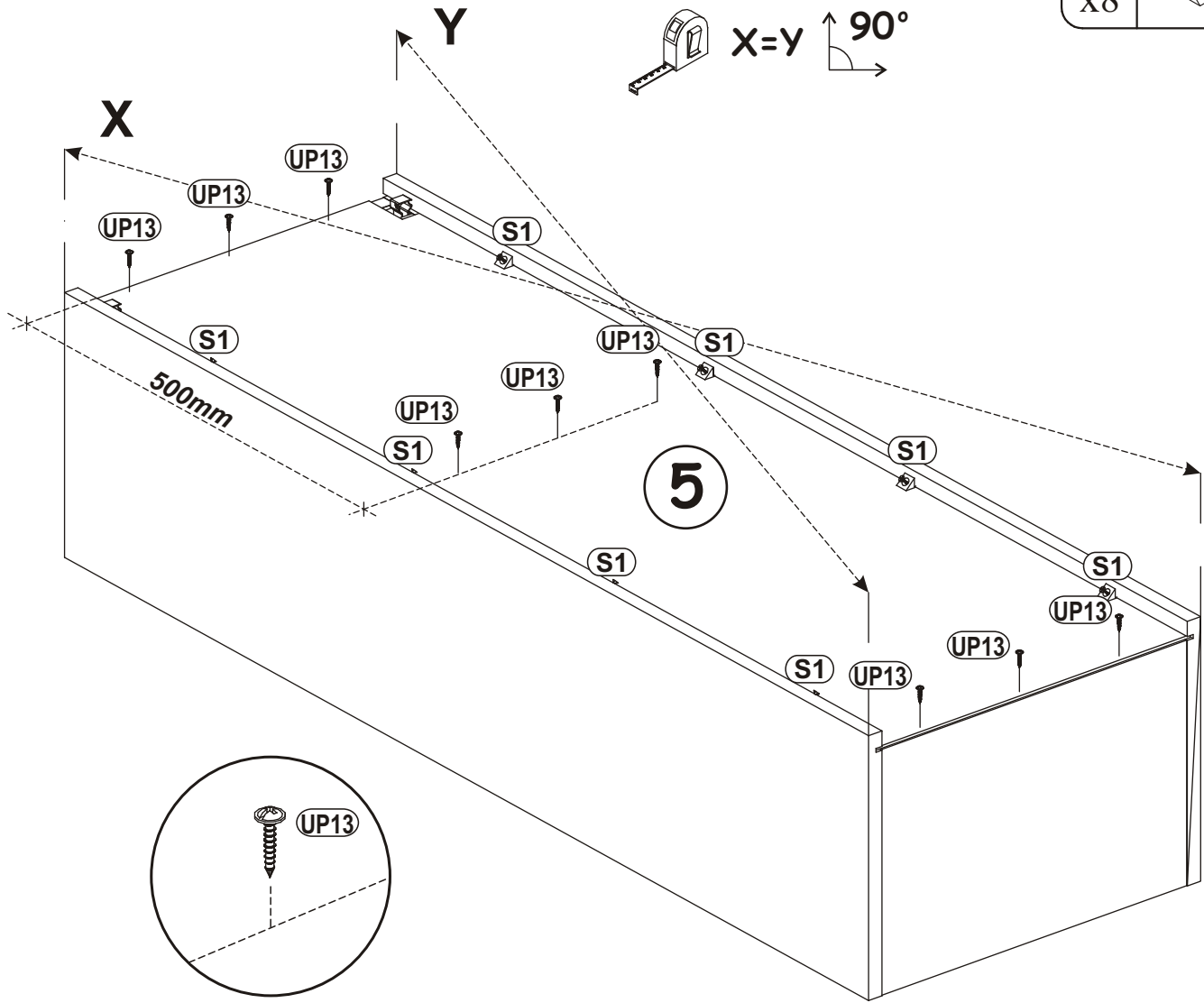
5



6

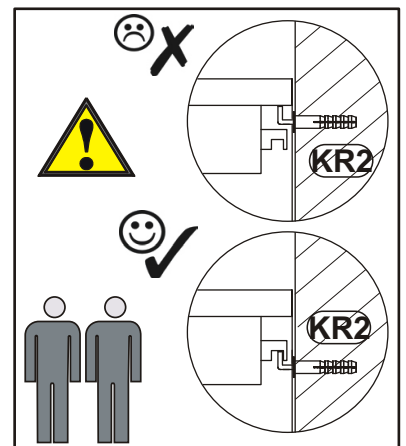
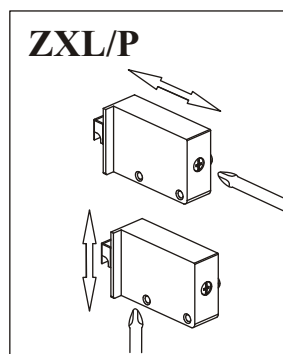
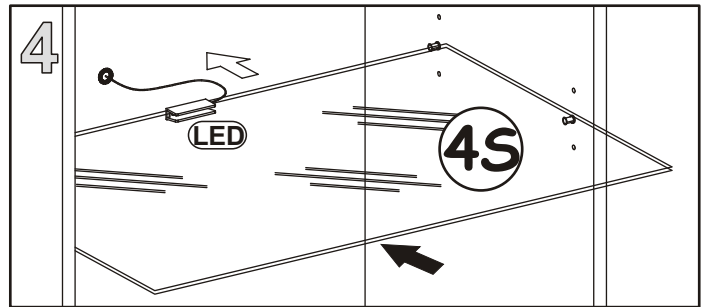
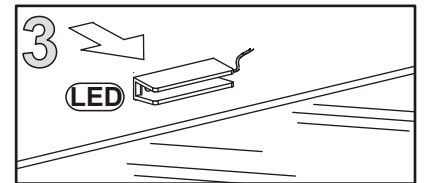
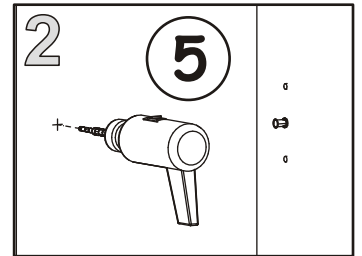
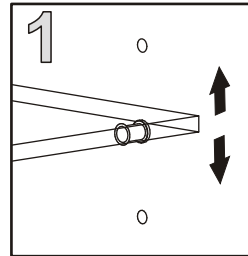
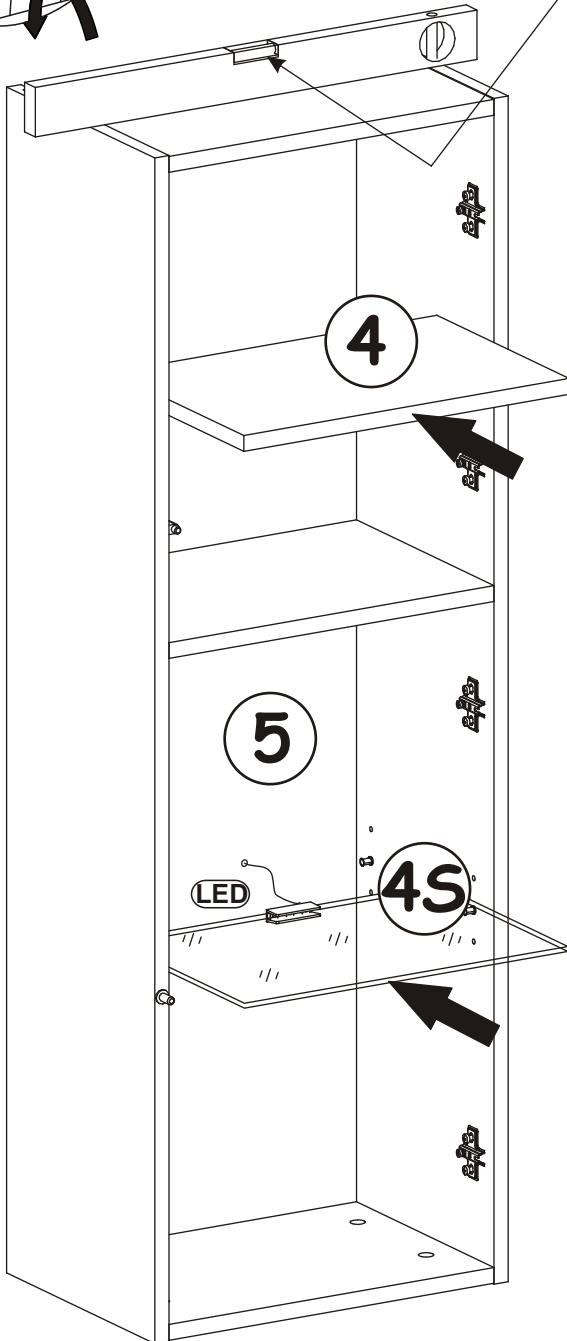
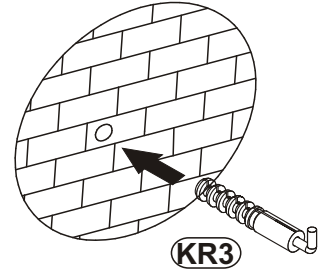
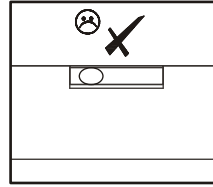
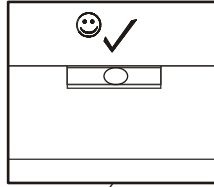
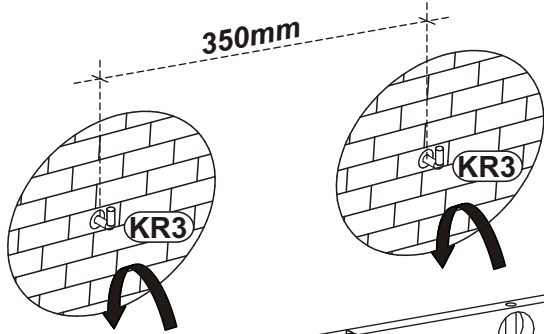
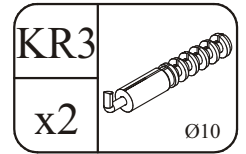
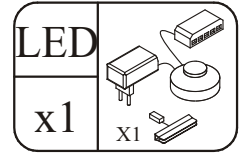
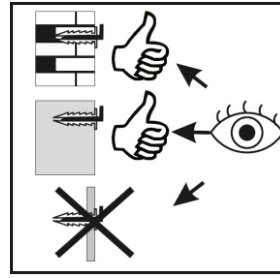
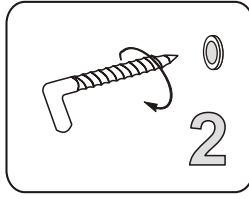
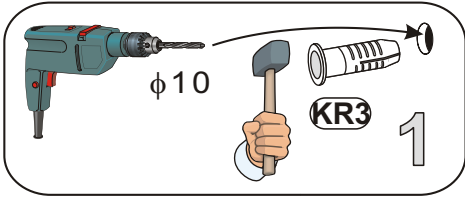
UP13	
x9	UPØ3x16

S1	
x8	



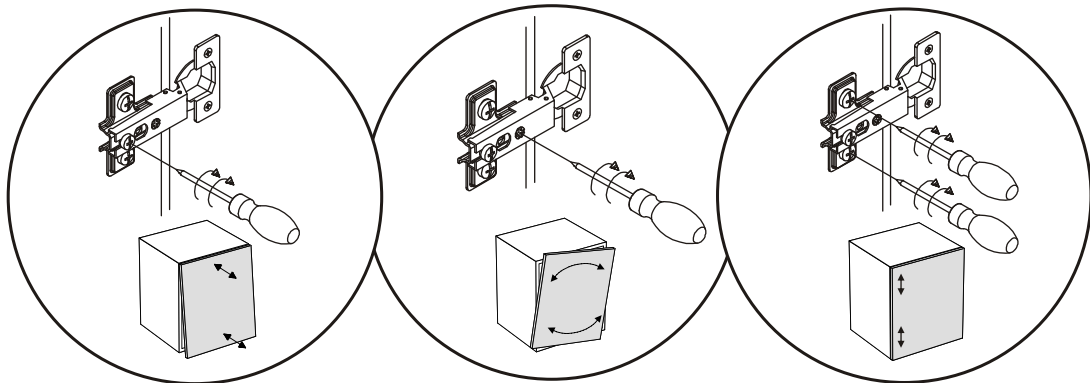
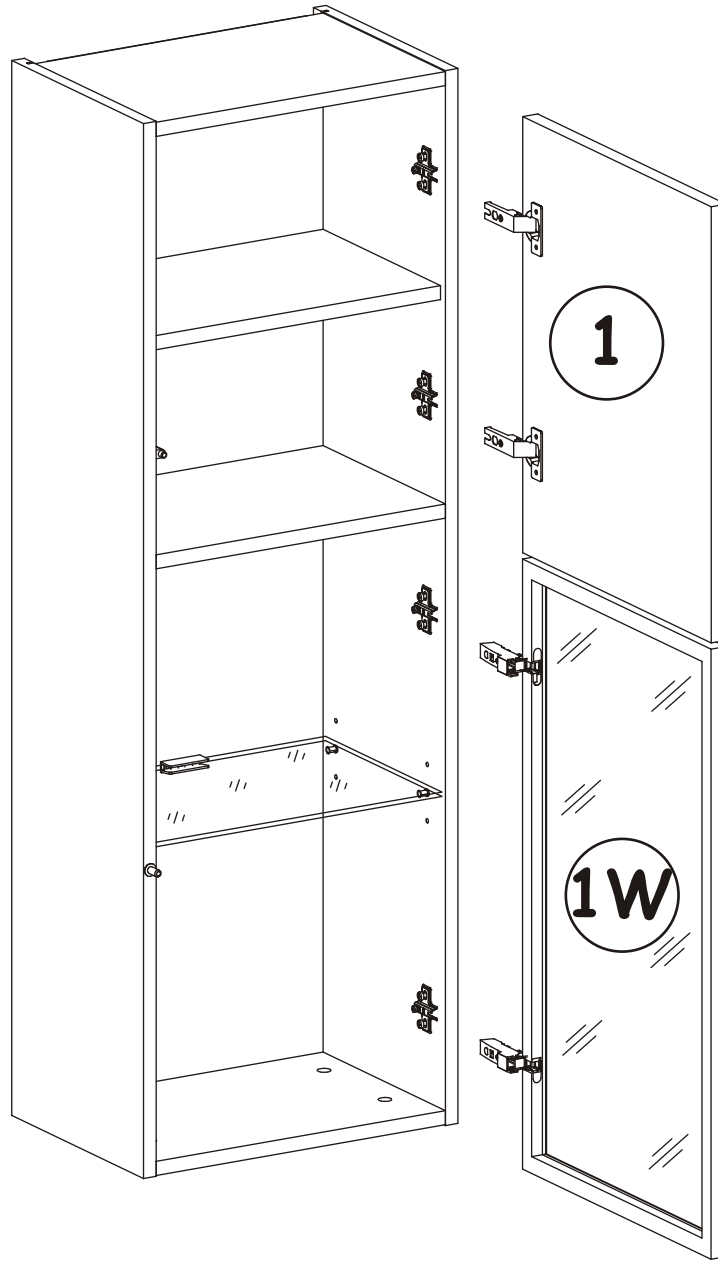
MANHATAN TYP-20

7

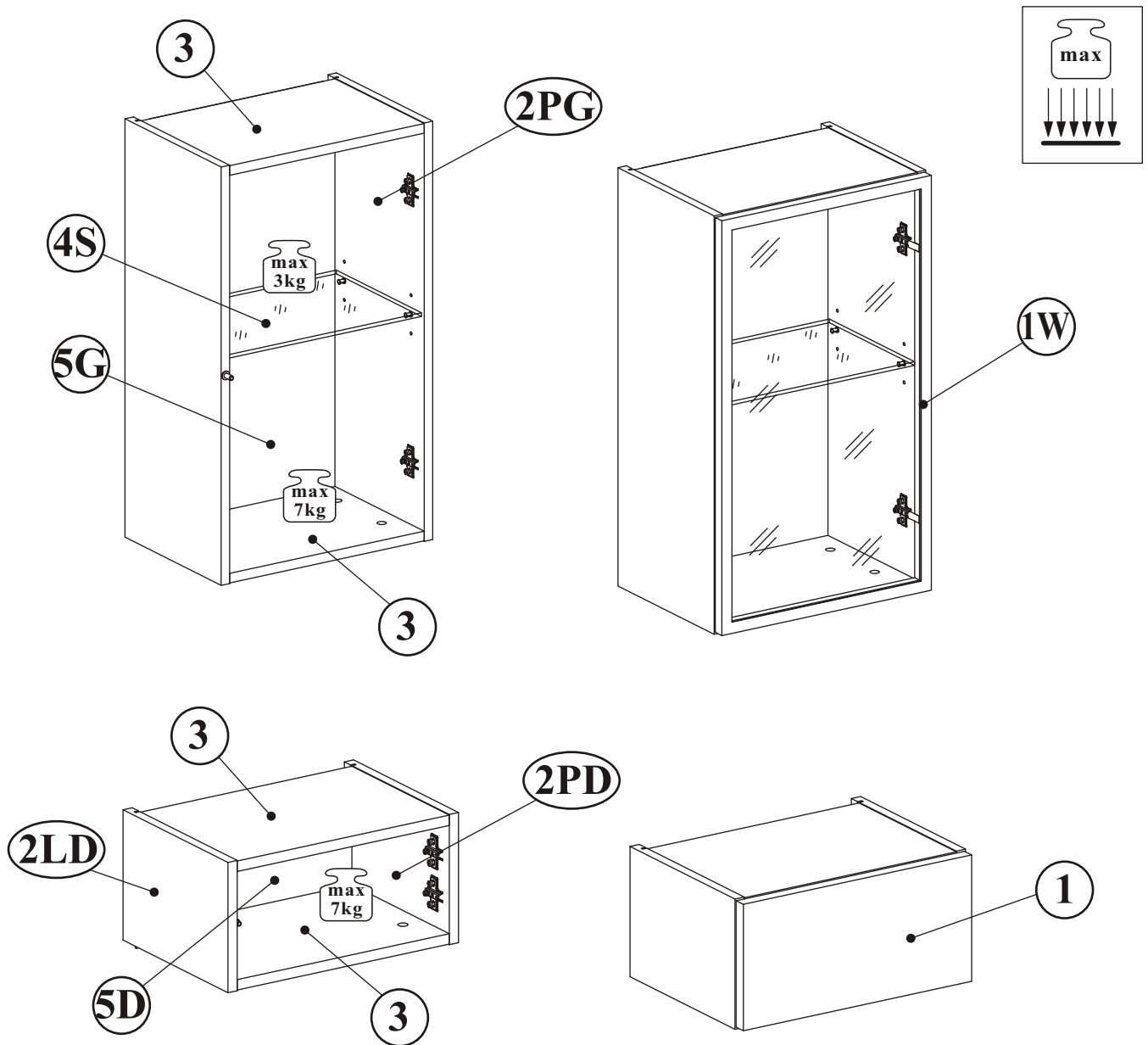




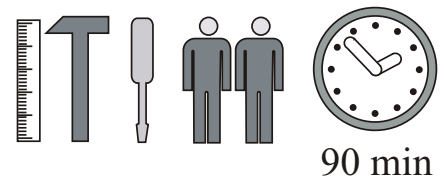
8



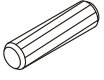
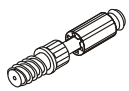


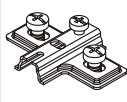
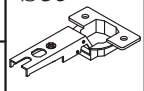
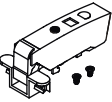
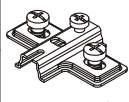


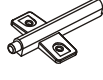
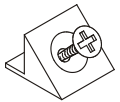
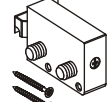
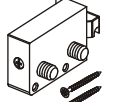
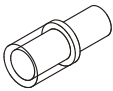
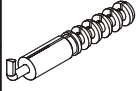
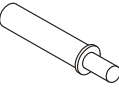

# MANHATAN TYP-21

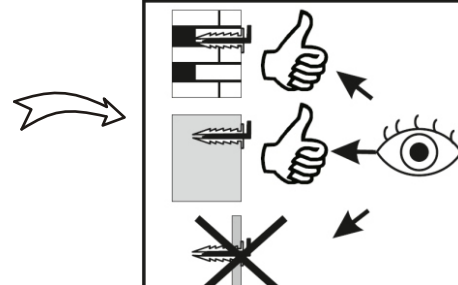
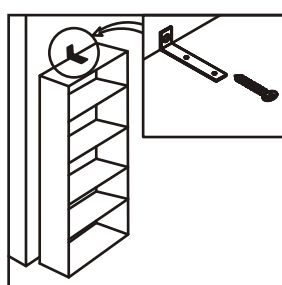
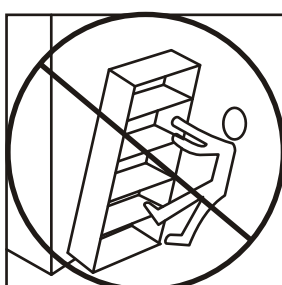
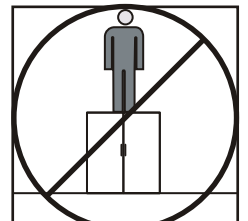
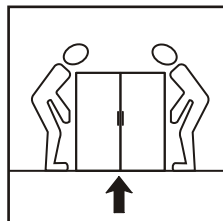
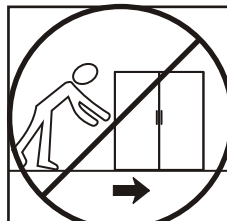
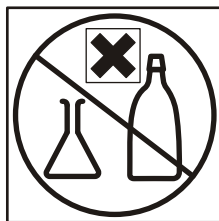
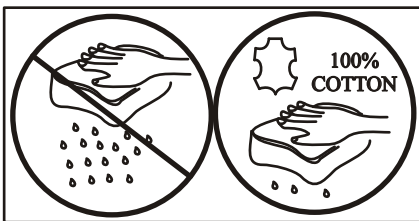
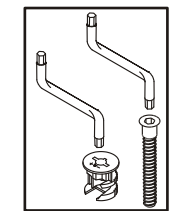
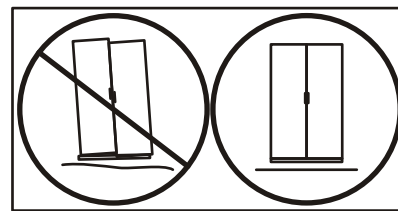
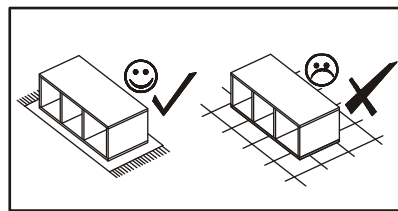
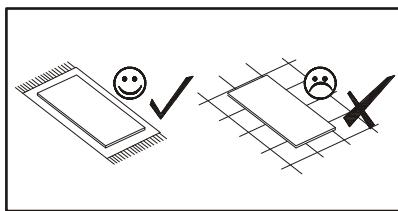
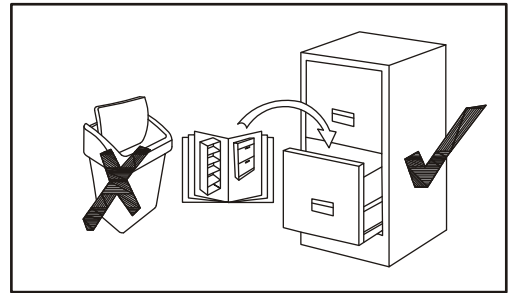
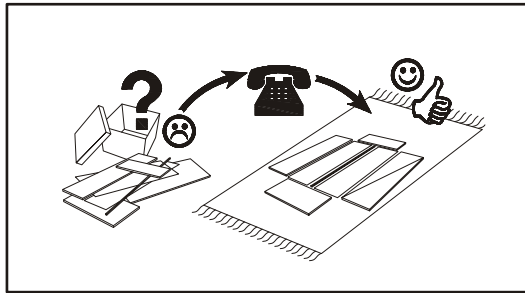
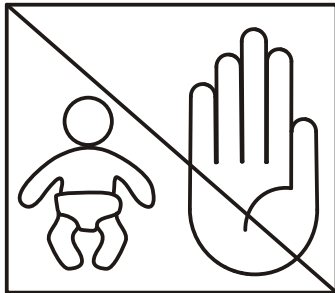
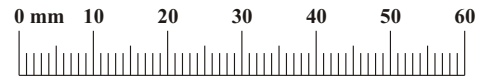


NO	Dim.			Col-No	Qty
1W	396	694	19	5/6	1
1	396	194	19	5/6	1
2LG	700	277	16	5/6	1
2PG	700	277	16	5/6	1
2LD	200	277	16	5/6	1
2PD	200	277	16	5/6	1
3	368	257	16	5/6	4
4S	366	245	5	5/6	1
5G	695	380	3	5/6	1
5D	195	380	3	5/6	1



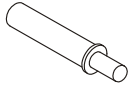
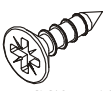
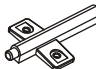
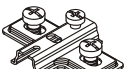
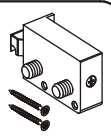
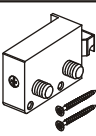
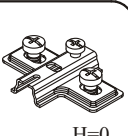
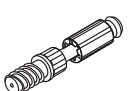
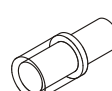
# MANHATAN TYP-21

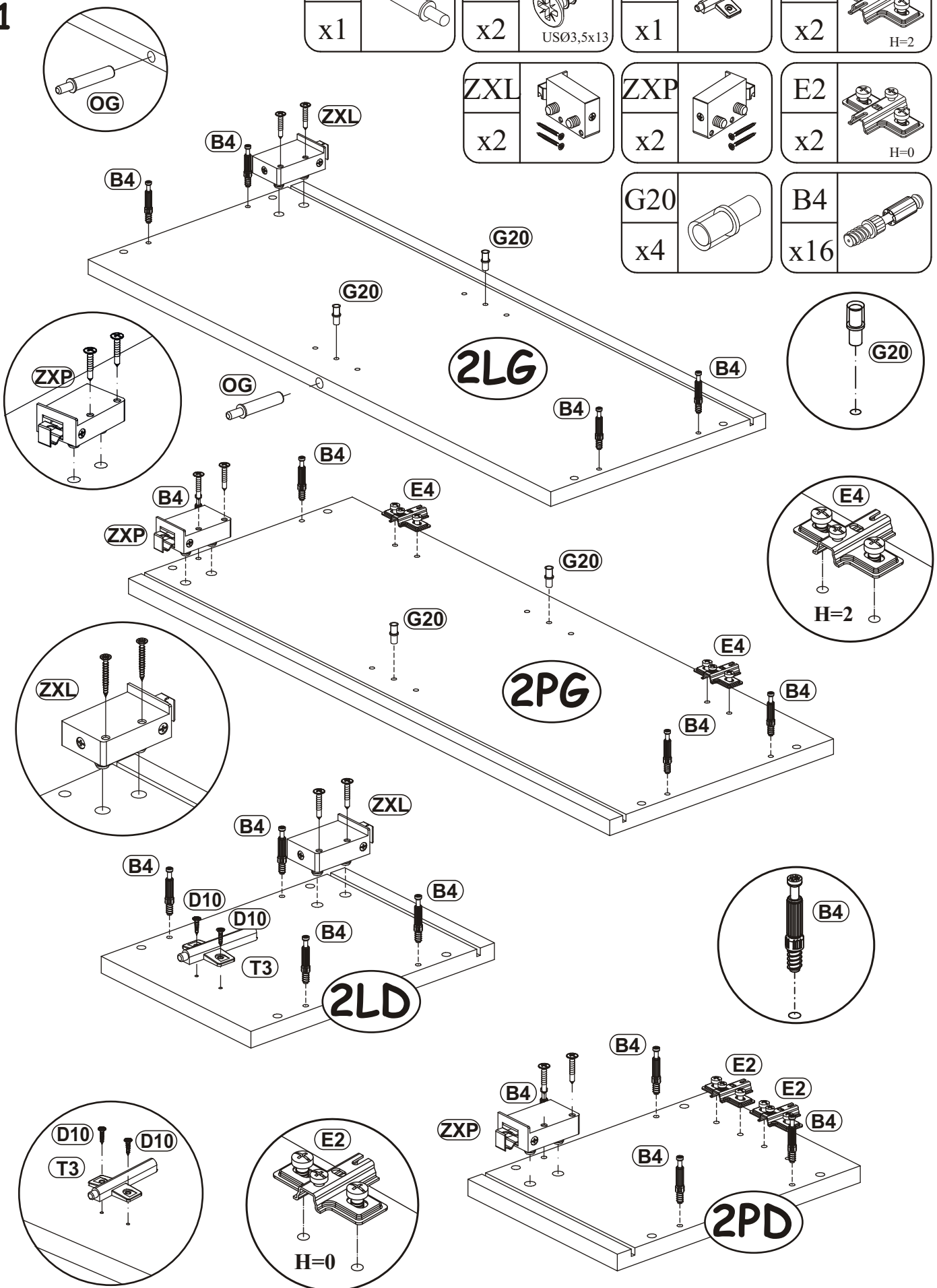
A1 x16  ø8x36	B4 x16 	B5 x16  Ø15x12	G5 x16 	E2 x2  H=0	E21 x2  Ø35 H=0
E30 x2  H=0	E4 x2  H=2	UP13 x12  UPØ3x16	D10 x6  USØ3,5x13	T3 x1 	S1 x8 
ZXL x2 	ZXP x2 	G20 x4 	KR3 x4  Ø10	OG x1 	G2 x1 



# MANHATAN TYP-21

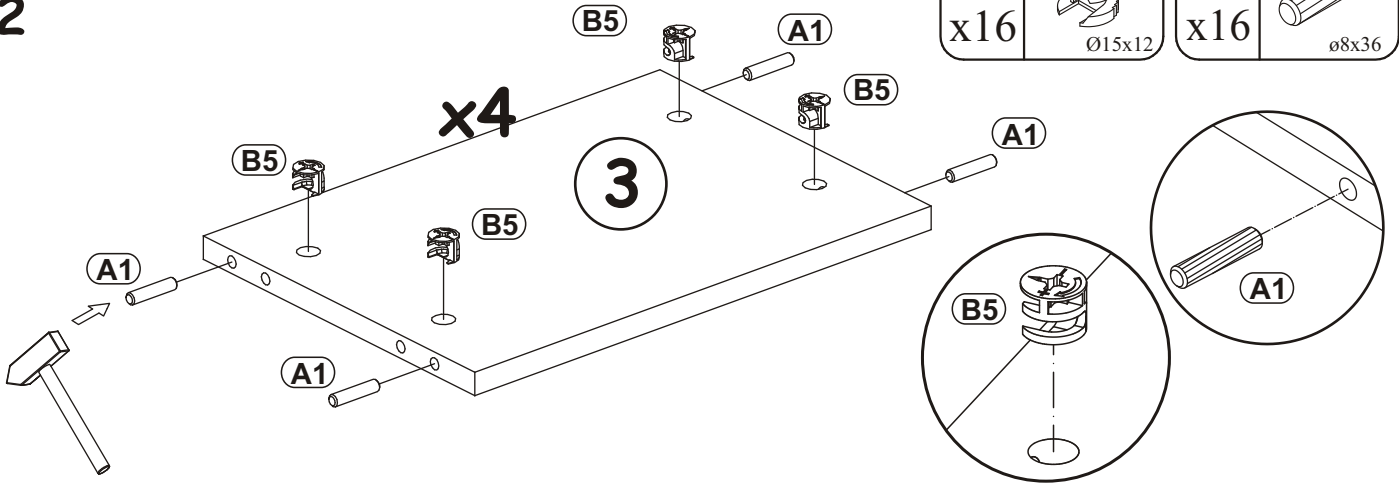
1


OG x1		D10 x2	 USØ3,5x13	T3 x1		E4 x2	 H=2
ZXL x2		ZXP x2		E2 x2	 H=0	B4 x16	
G20 x4							

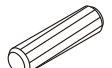


MANHATAN TYP-21

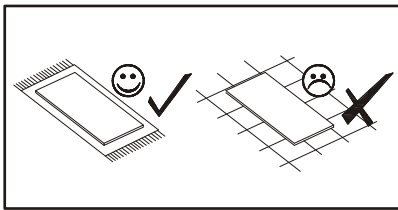
2




B5	
x16	Ø15x12

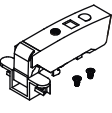
A1	
x16	ø8x36

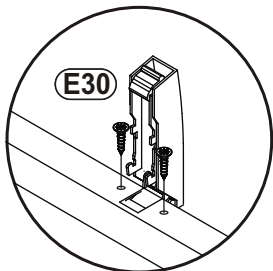
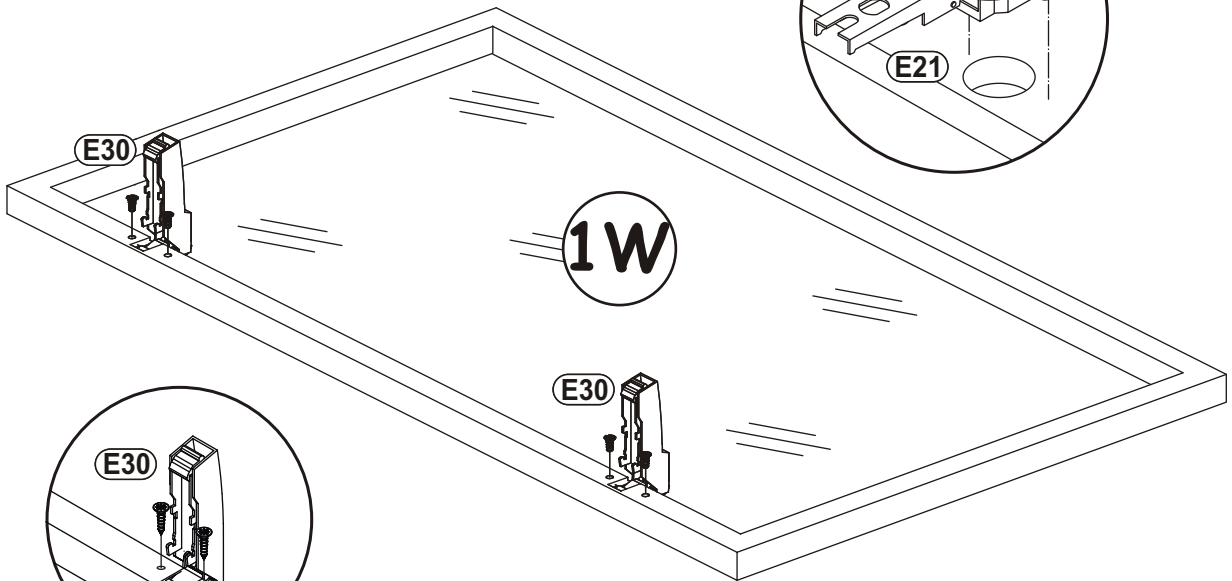
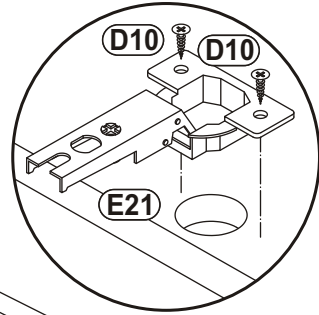
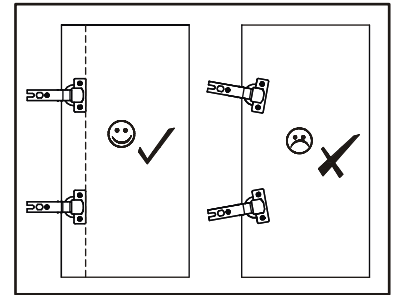
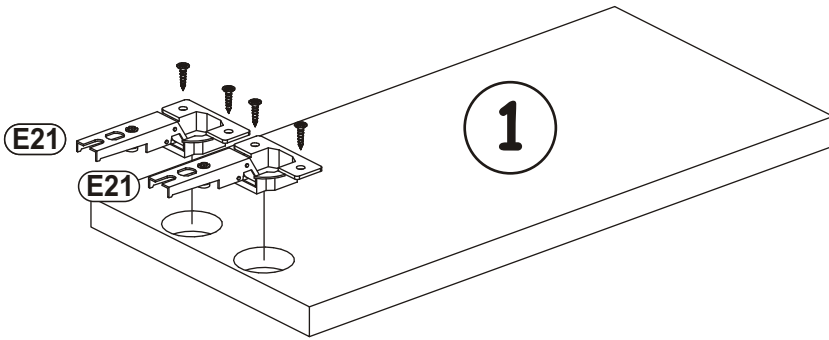
3



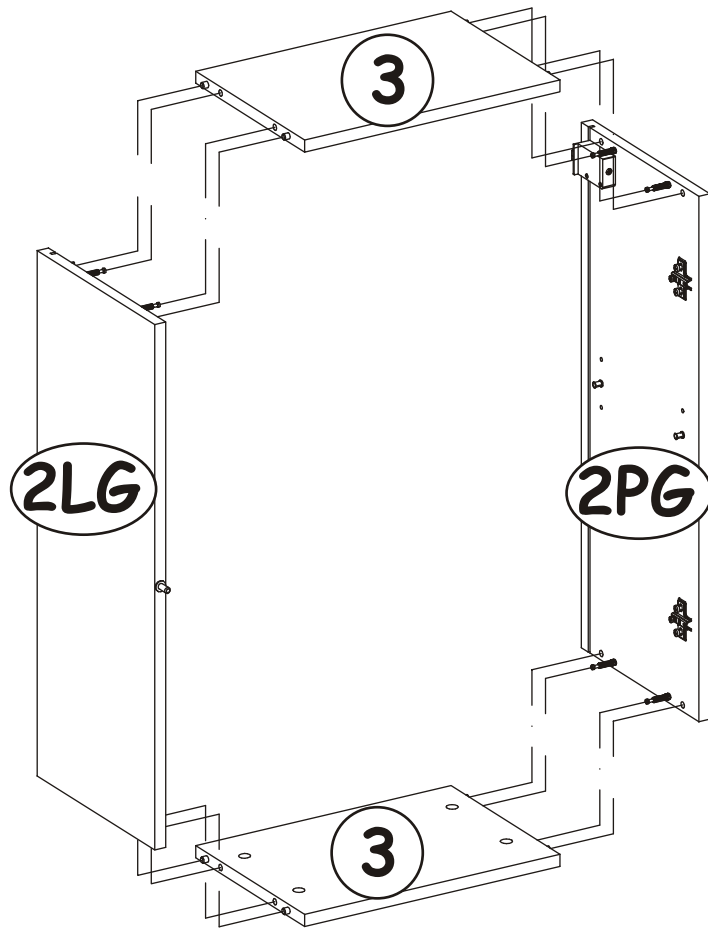
D10	
x4	USØ3,5x13


E21	Ø35
x2	H=0

E30	
x2	H=0

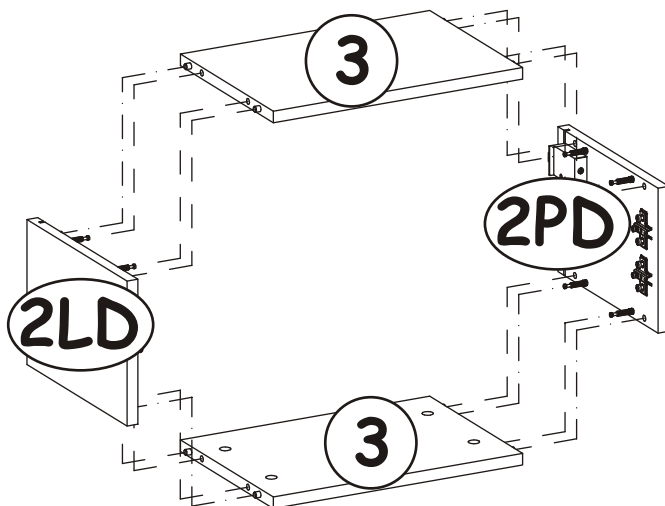
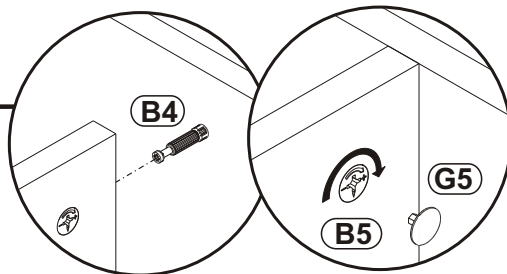



4



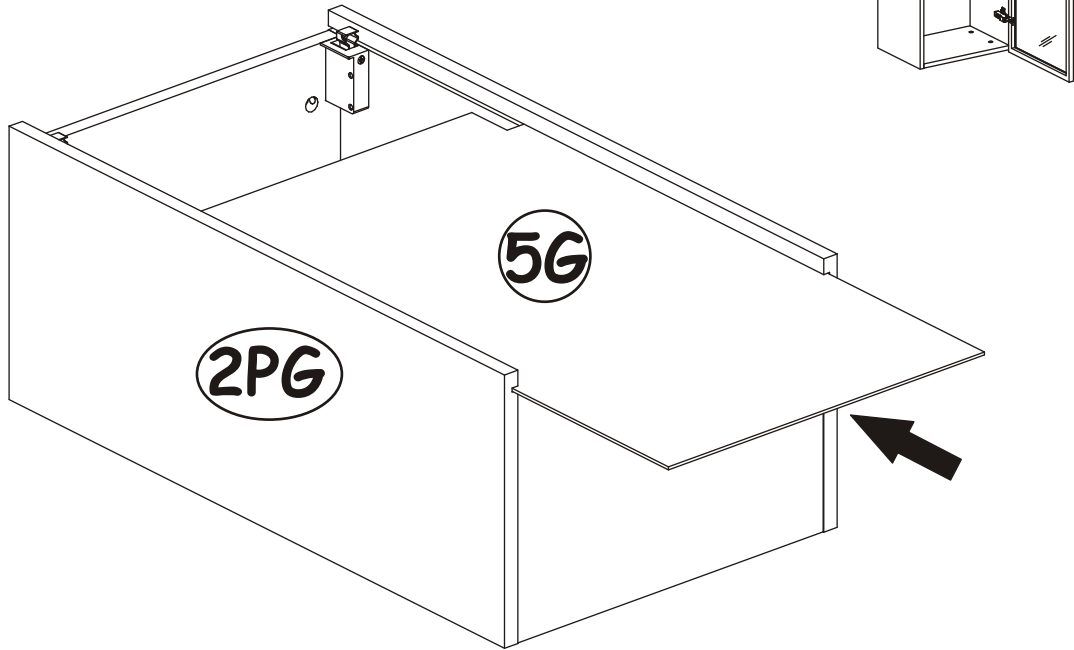
G5	
x8	

5

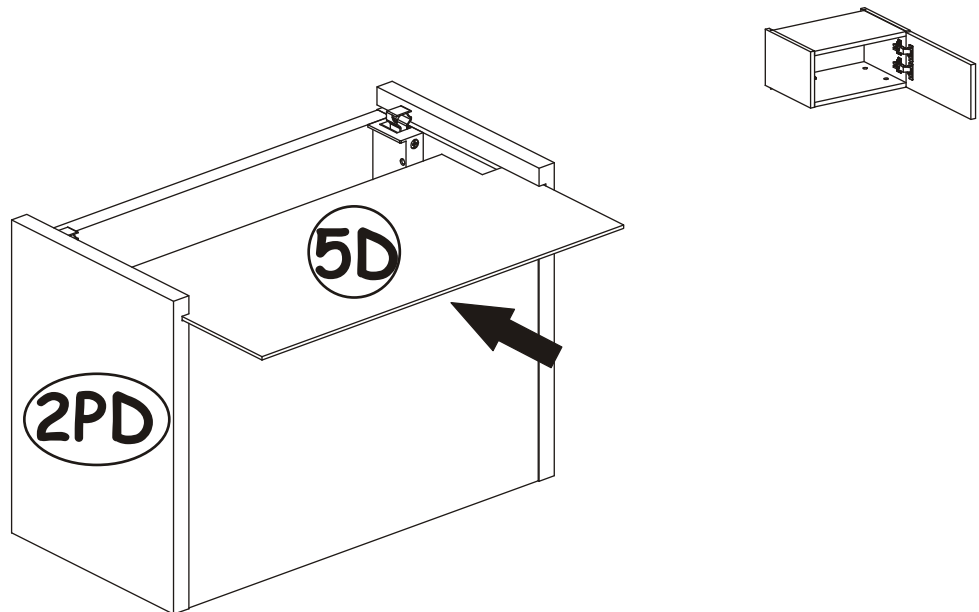


G5	
x8	

6

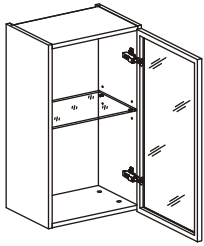
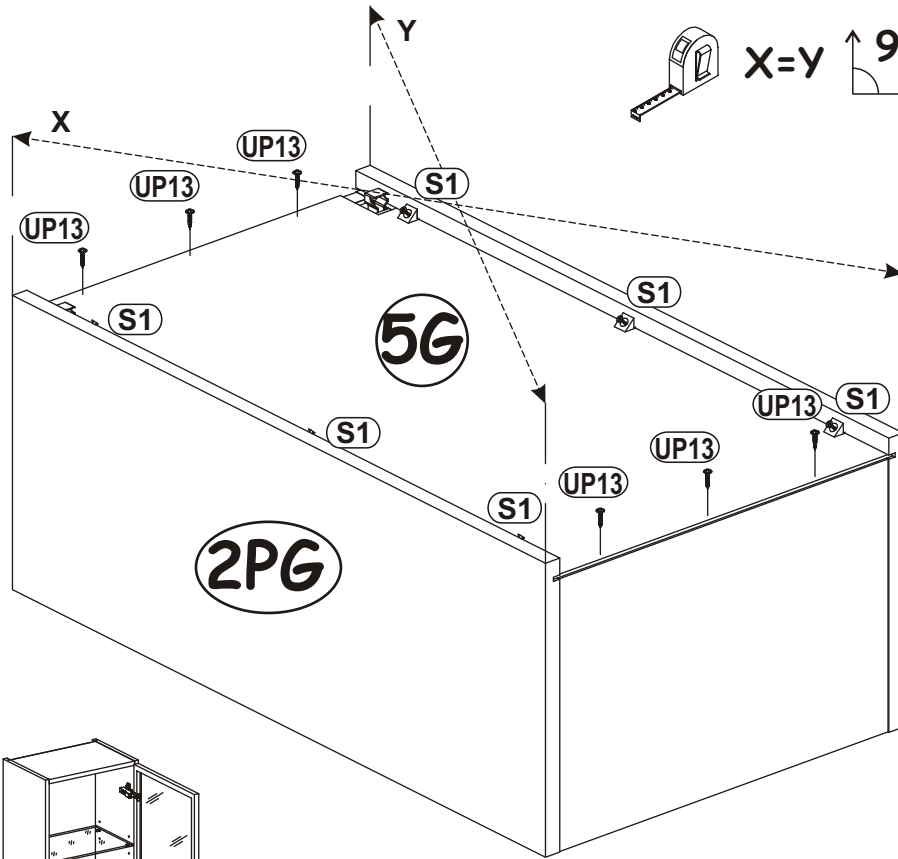



7

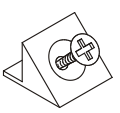


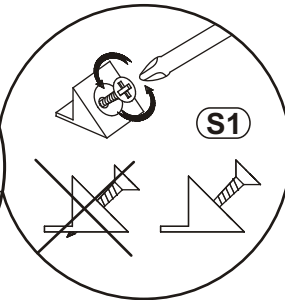
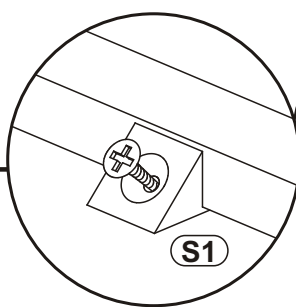
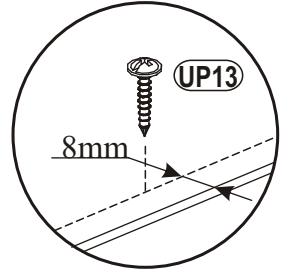
MANHATAN TYP-21

8

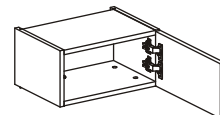
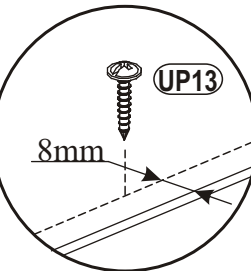
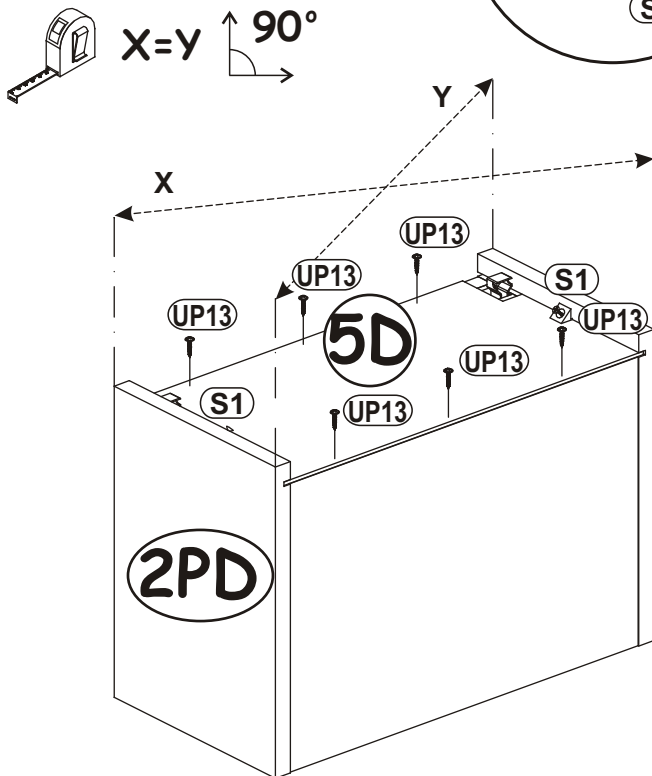



UP13	
x6	UPØ3x16

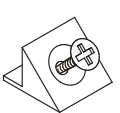
S1	
x6	



9



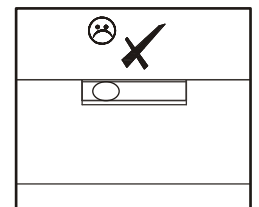
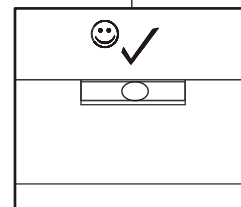
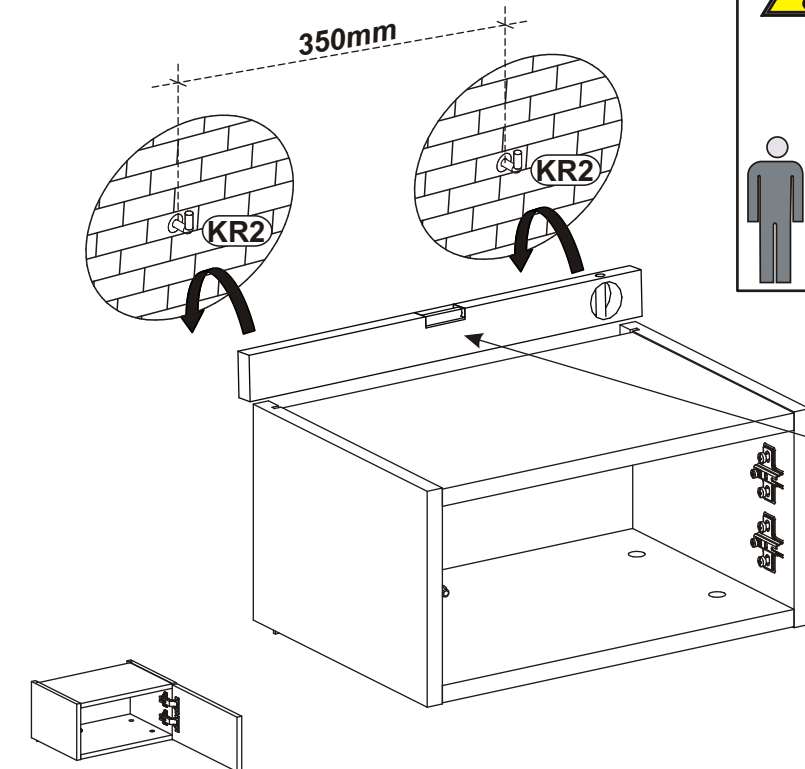
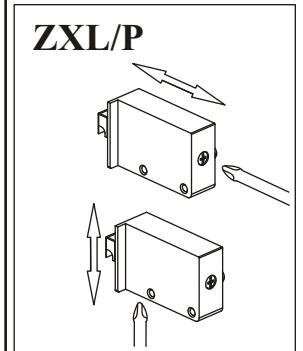
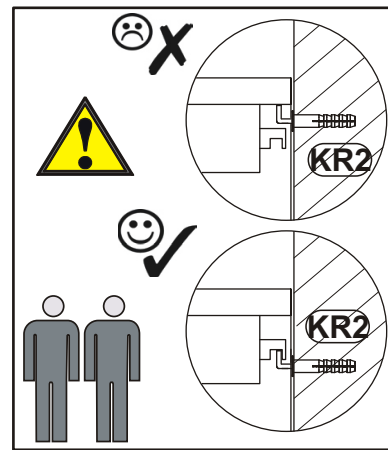
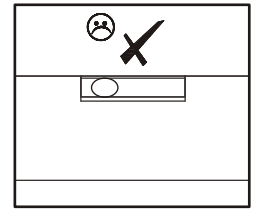
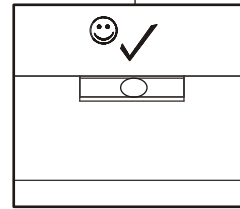
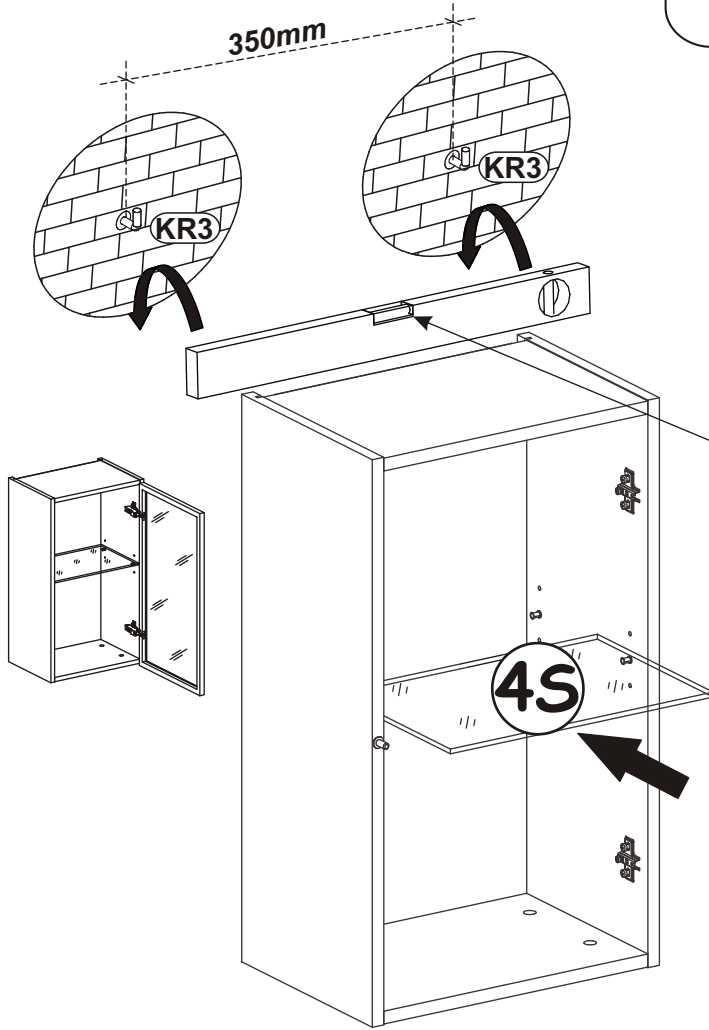
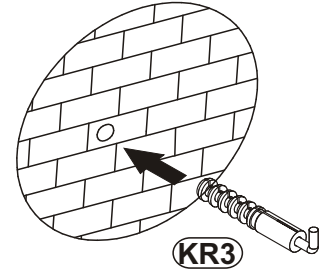
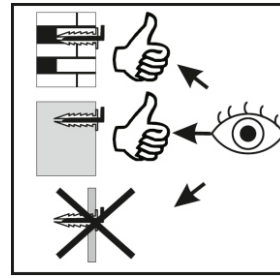
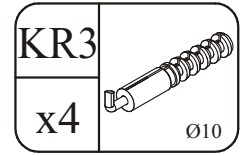
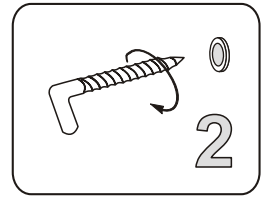
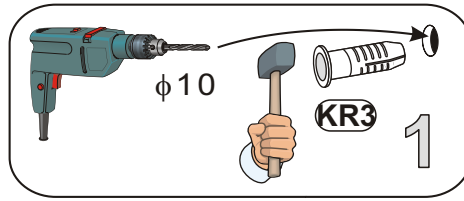
UP13	
x6	UPØ3x16

S1	
x2	

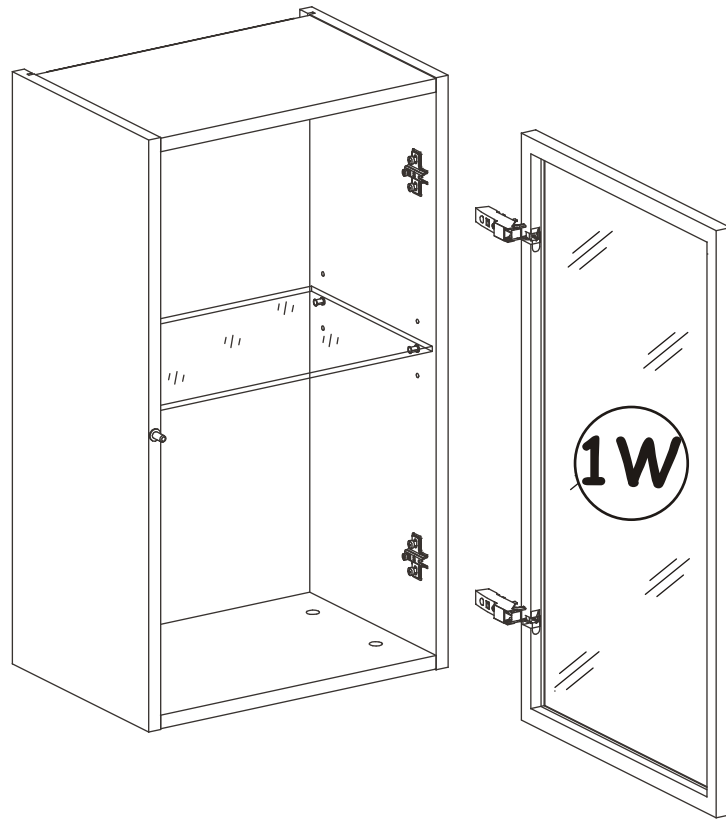


MANHATAN TYP-21

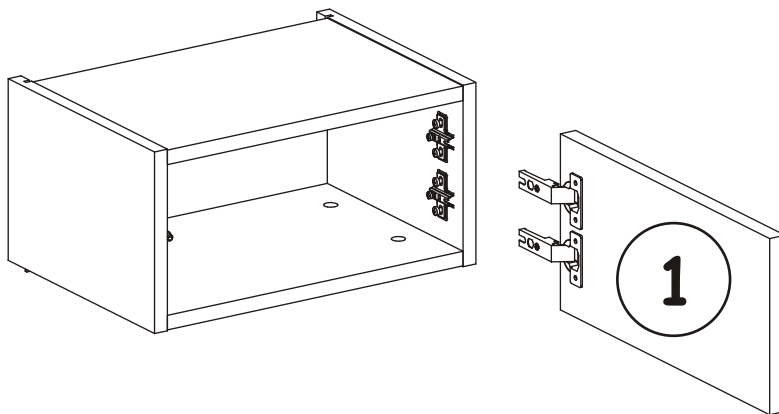
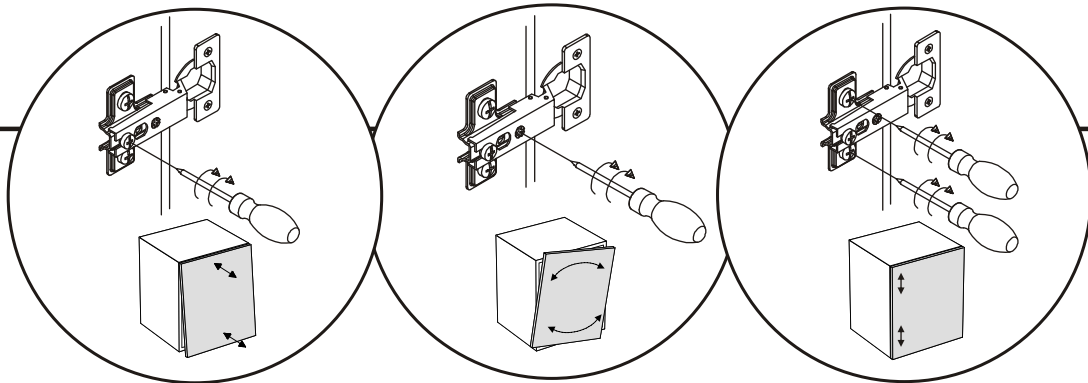
10



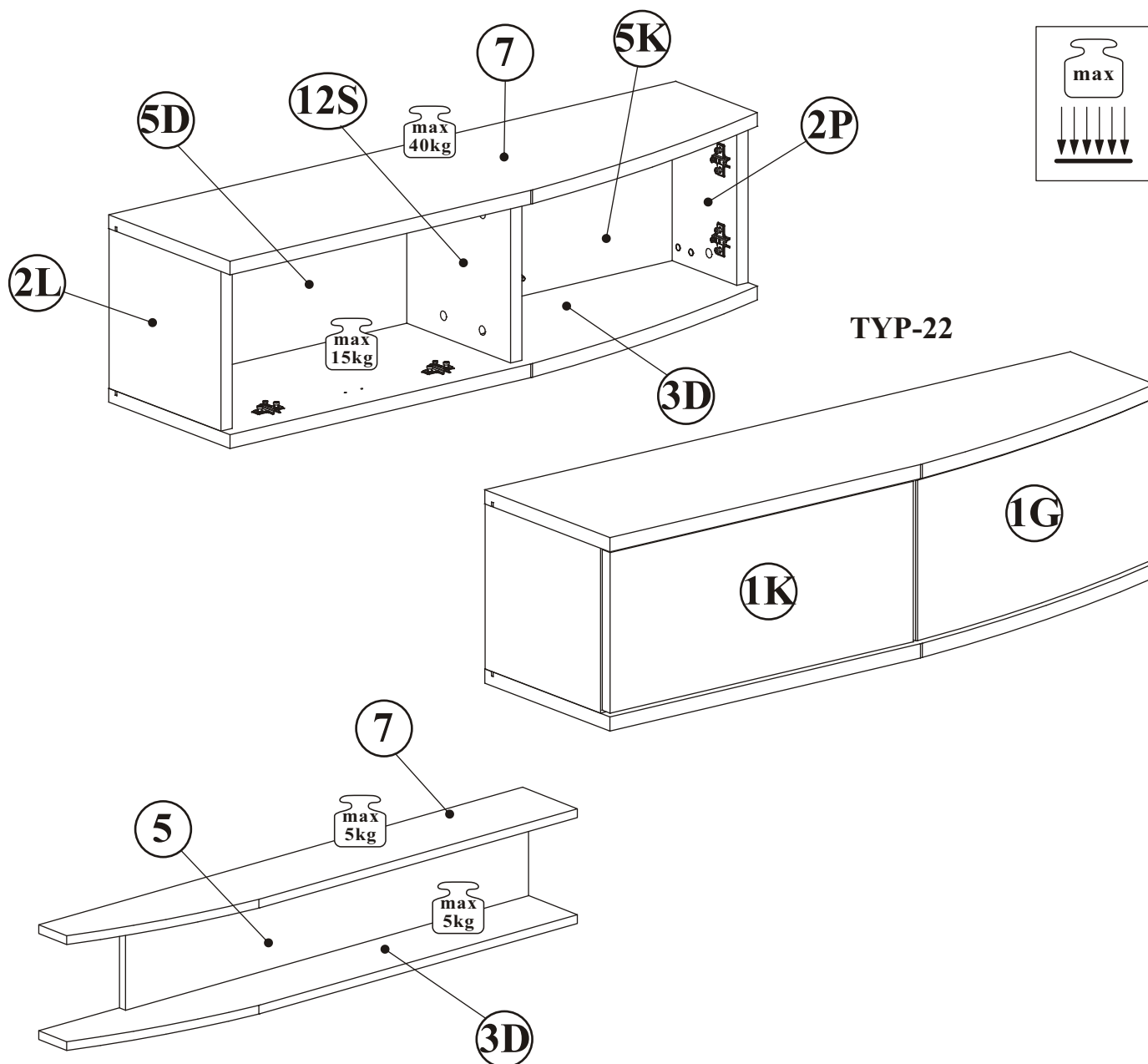
11



12

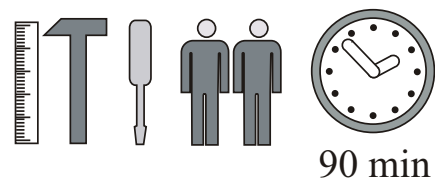


# MANHATAN TYP-22 / 70



## TYP-22

NO	Dim.			Col-No	Qty
1G	523	249	18	6/6	1
1K	570	249	19	6/6	1
2L	256	277	22	6/6	1
2P	256	180	22	6/6	1
12S	256	257	22	6/6	1
3D	1101	300	22	6/6	1
5D	268	557	3	6/6	1
5K	268	510	3	6/6	1
7	1101	300	22	6/6	1

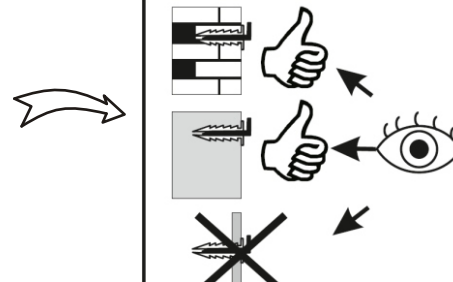
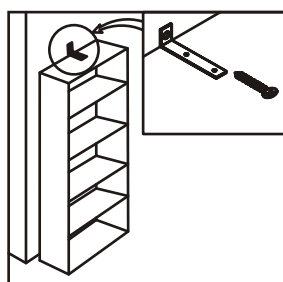
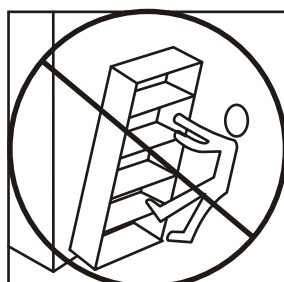
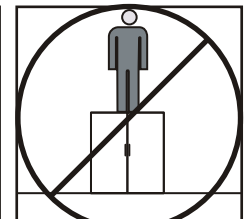
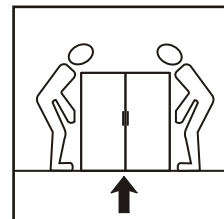
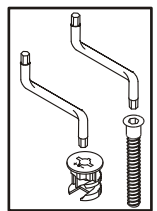
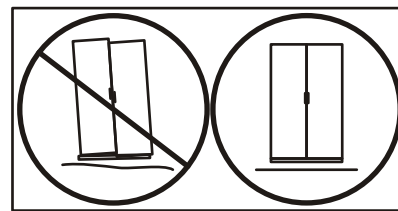
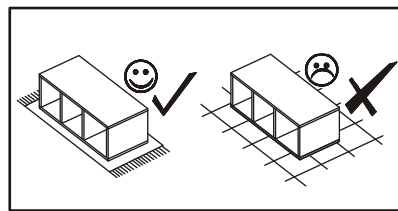
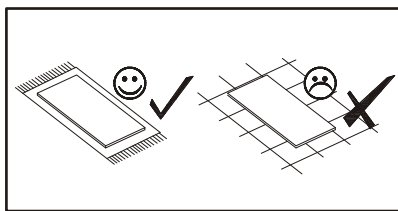
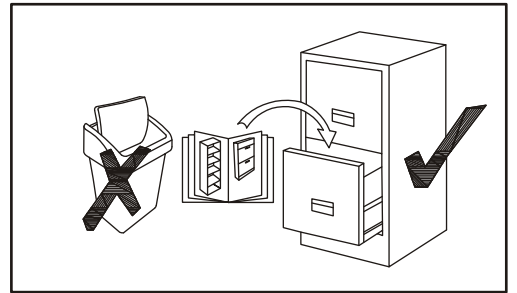
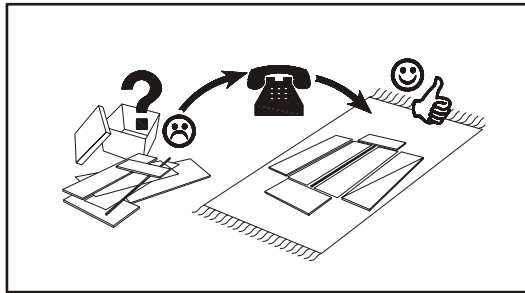
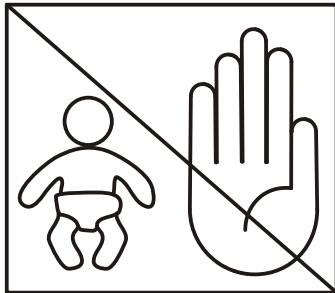
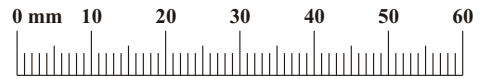


## TYP-70

NO	Dim.			Col-No	Qty
3D	1501	200	22	6/6	1
5	1250	244	22	6/6	1
7	1501	200	22	6/6	1

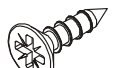
# MANHATAN TYP-22/70

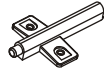
A1 x24 ø8x36	B4 x20	B16 x20 Ø15x16	G5 x20	E2 x2 H=0	E21 x2 Ø35 H=0
ZXL x1	ZXP x2	UP13 x2 UPØ3x16	G16 x2	E4 x2 H=2	E25 x2 Ø35 H=16
D10 x14 USØ3,5x13	S1 x10	T3 x2	BO1 x1	G2 x1	Z5 x6 Ø10
Z2 x4 Ø5	KR3 x6 Ø10	ZM1 x3	D28 x6 ESØ6x9,5		





MANHATAN TYP-22/70


1

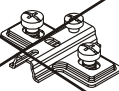
D10	
x2	USØ3,5x13

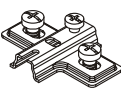
T3	
x1	

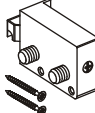
B16	
x10	Ø15x16

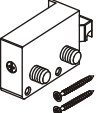
A1	
x12	ø8x36

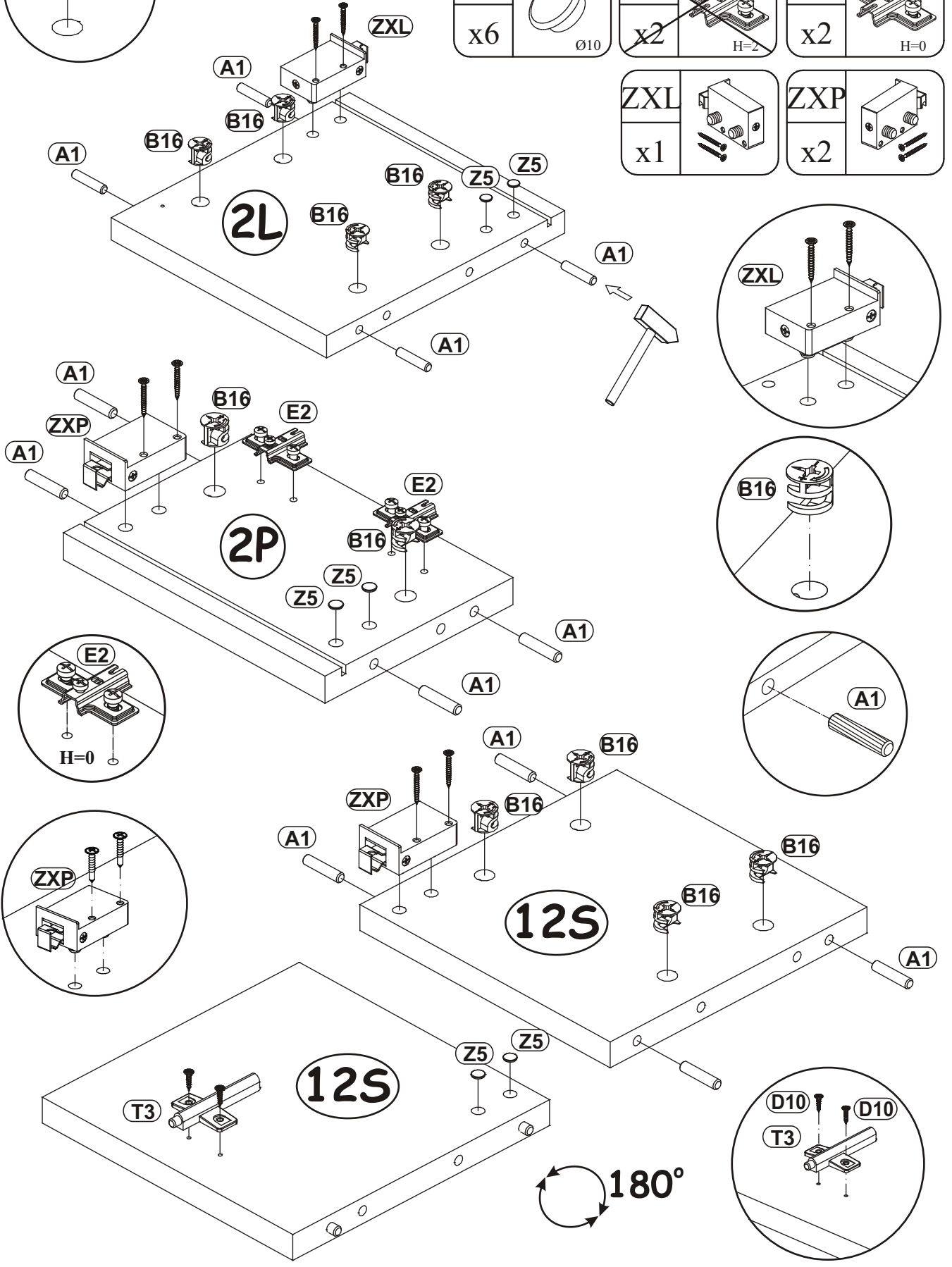
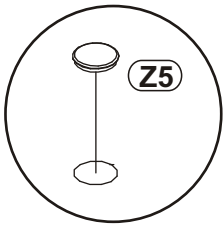
Z5	
x6	Ø10

E4	
x2	H=2

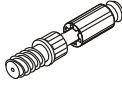
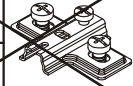
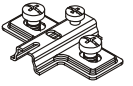

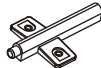

E2	
x2	H=0

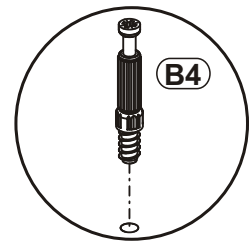
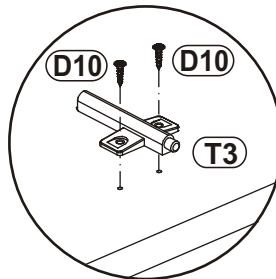
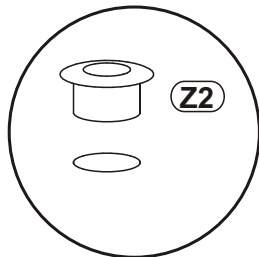
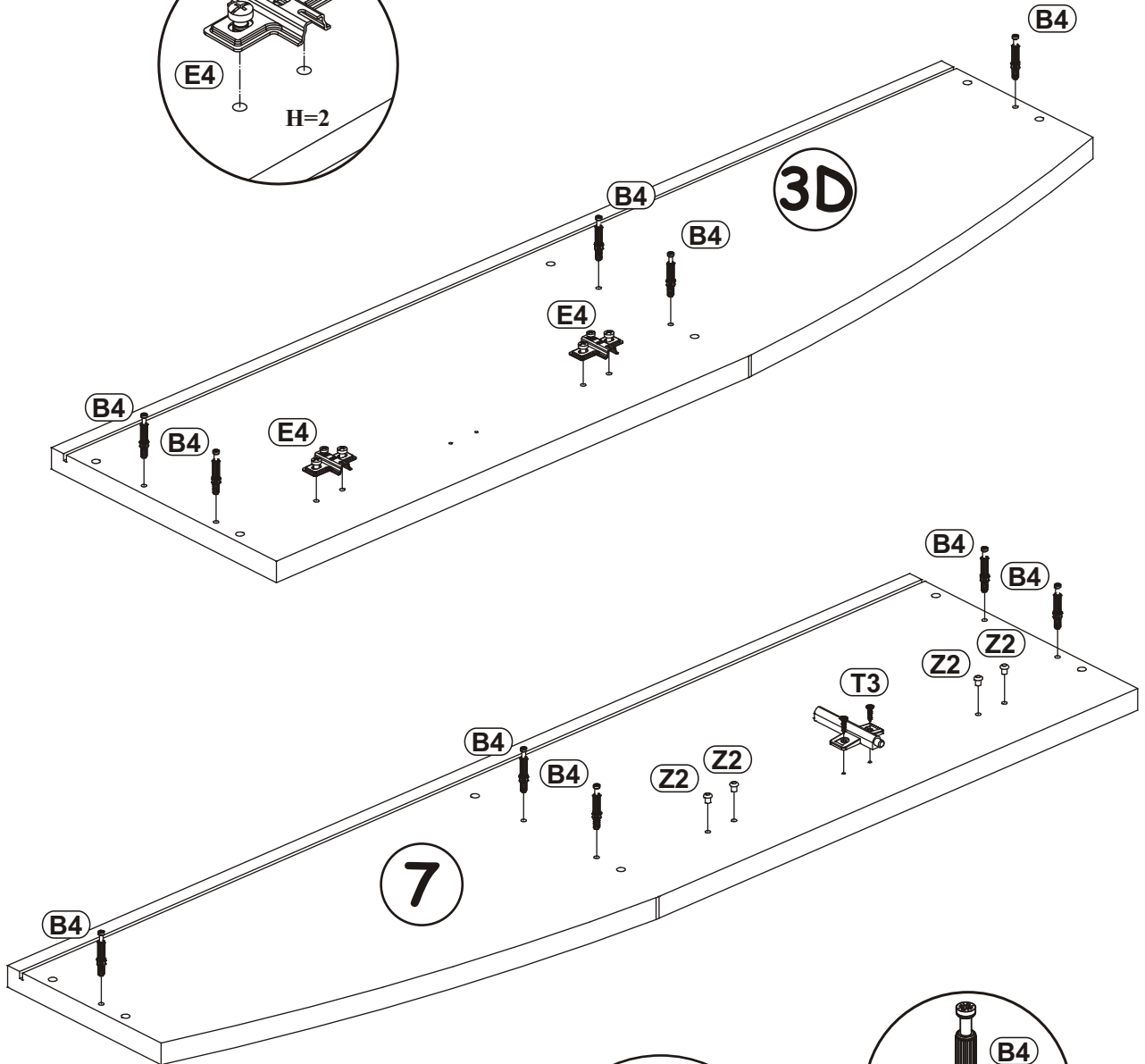
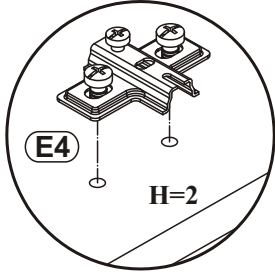
ZXL	
x1	

ZXP	
x2	



2

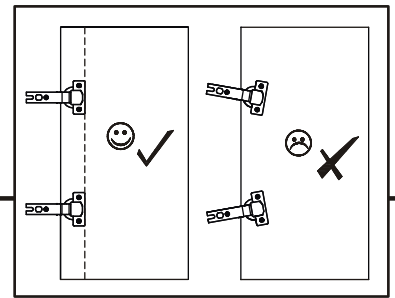
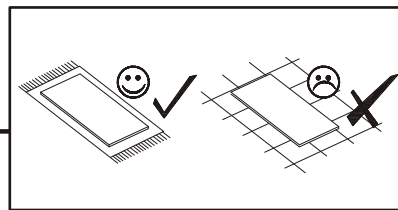
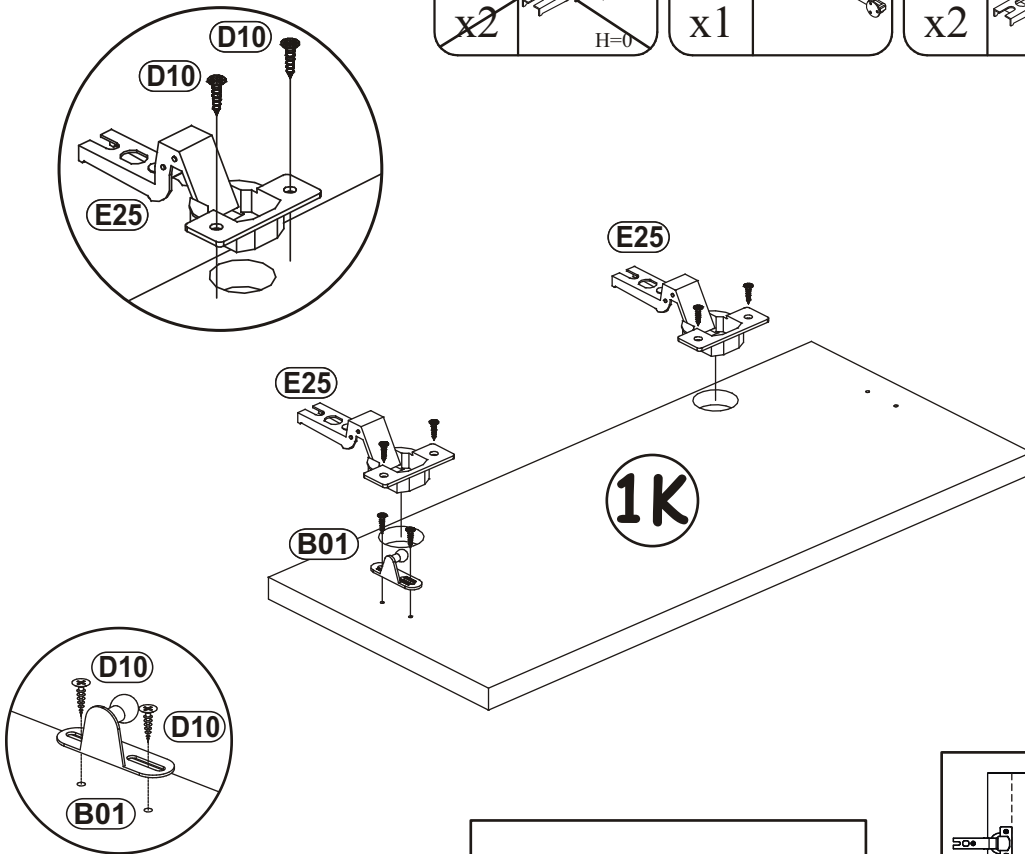
B4 x10		E2 x2 H=0		E4 x2 H=2	
Z2 x4		T3 x1		D10 x2 USØ3,5x13	



MANHATAN TYP-22/70

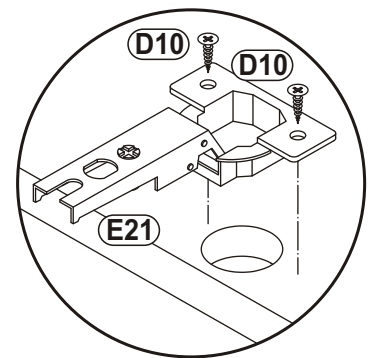
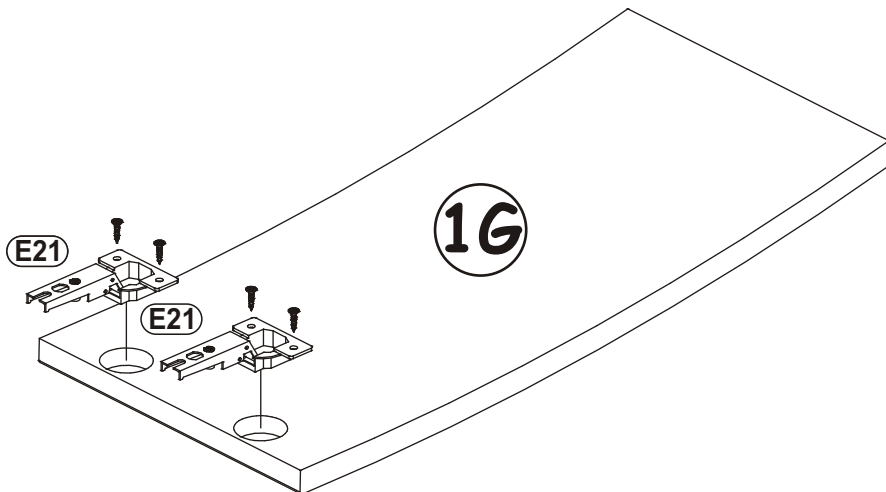
3

<del>E21</del> x2	<del>Ø35</del> H=0	B01 x1	E25 x2	<del>Ø35</del> H=16	D10 x6	USØ3,5x13
----------------------	-----------------------	-----------	-----------	------------------------	-----------	-----------

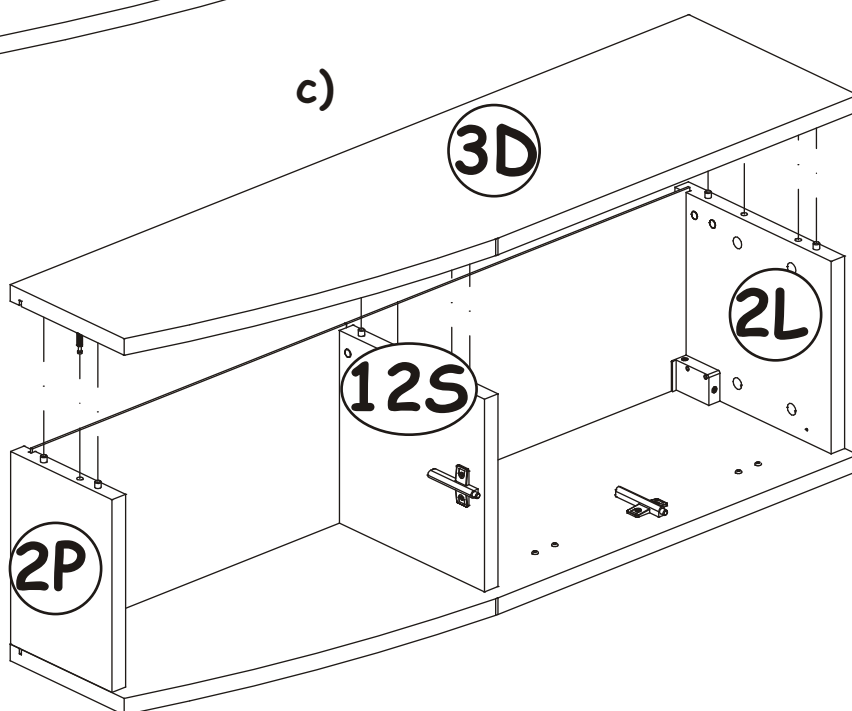
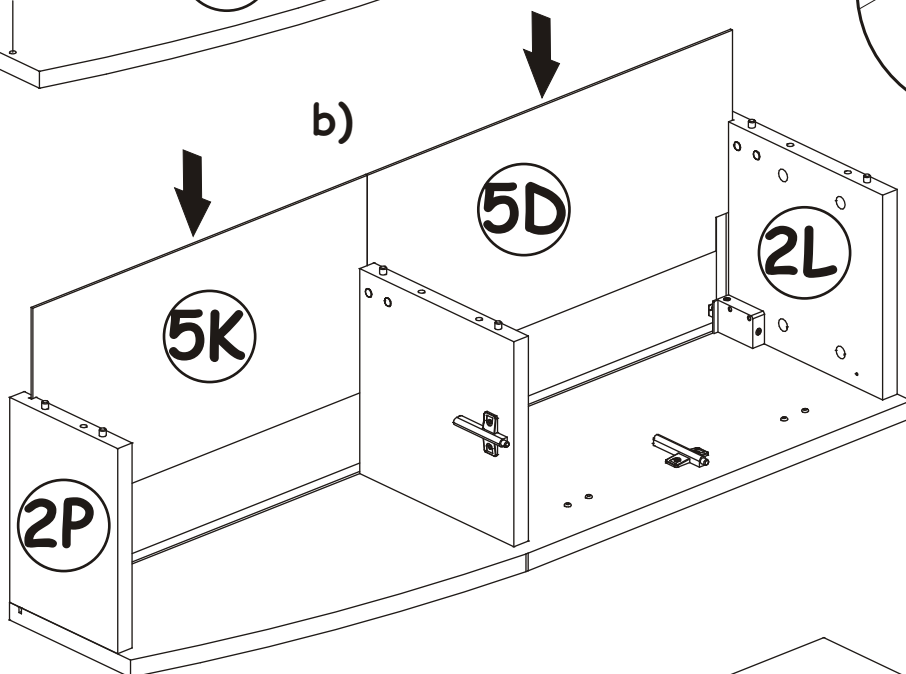
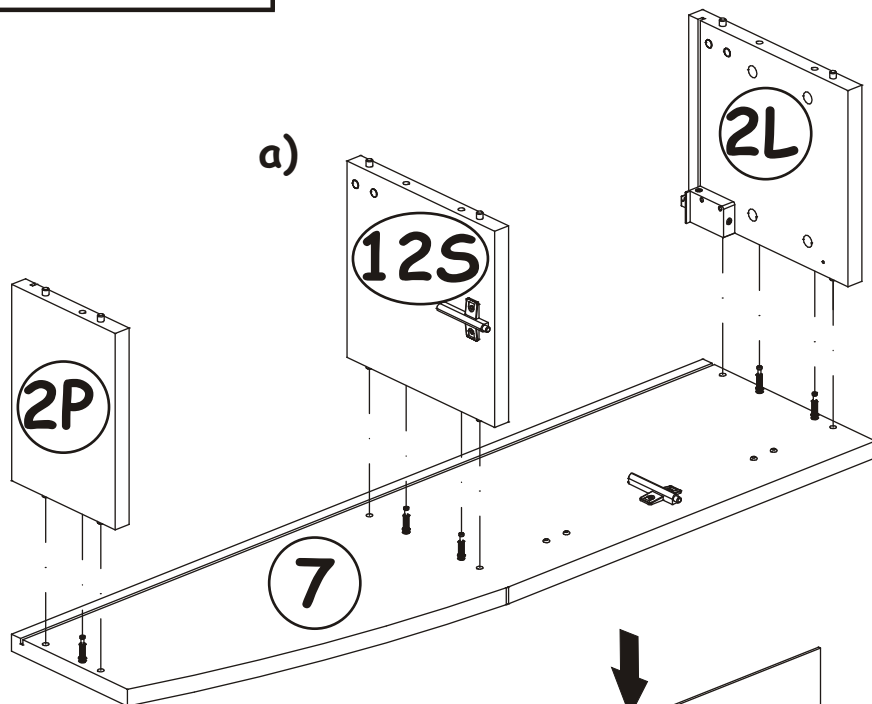
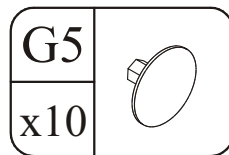


4

E21 x2	Ø35 H=0	<del>E25</del> x2	<del>Ø35</del> H=16	D10 x4	USØ3,5x13
-----------	------------	----------------------	------------------------	-----------	-----------



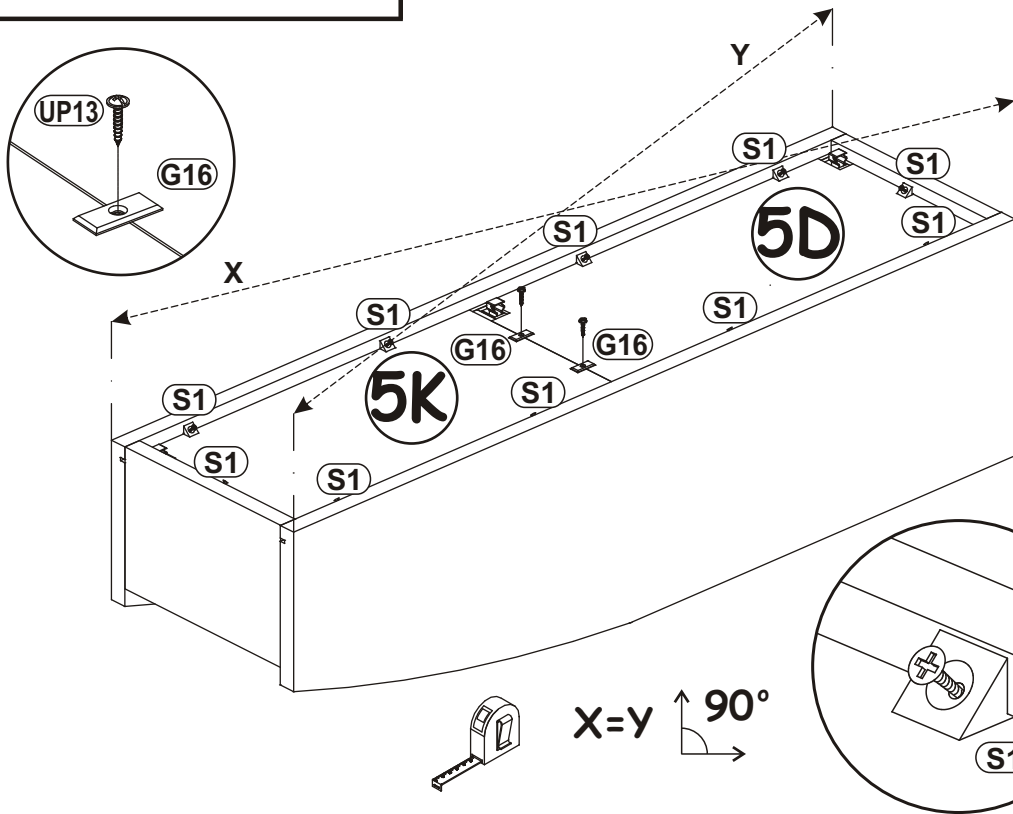
5





MANHATAN TYP-22/70

6



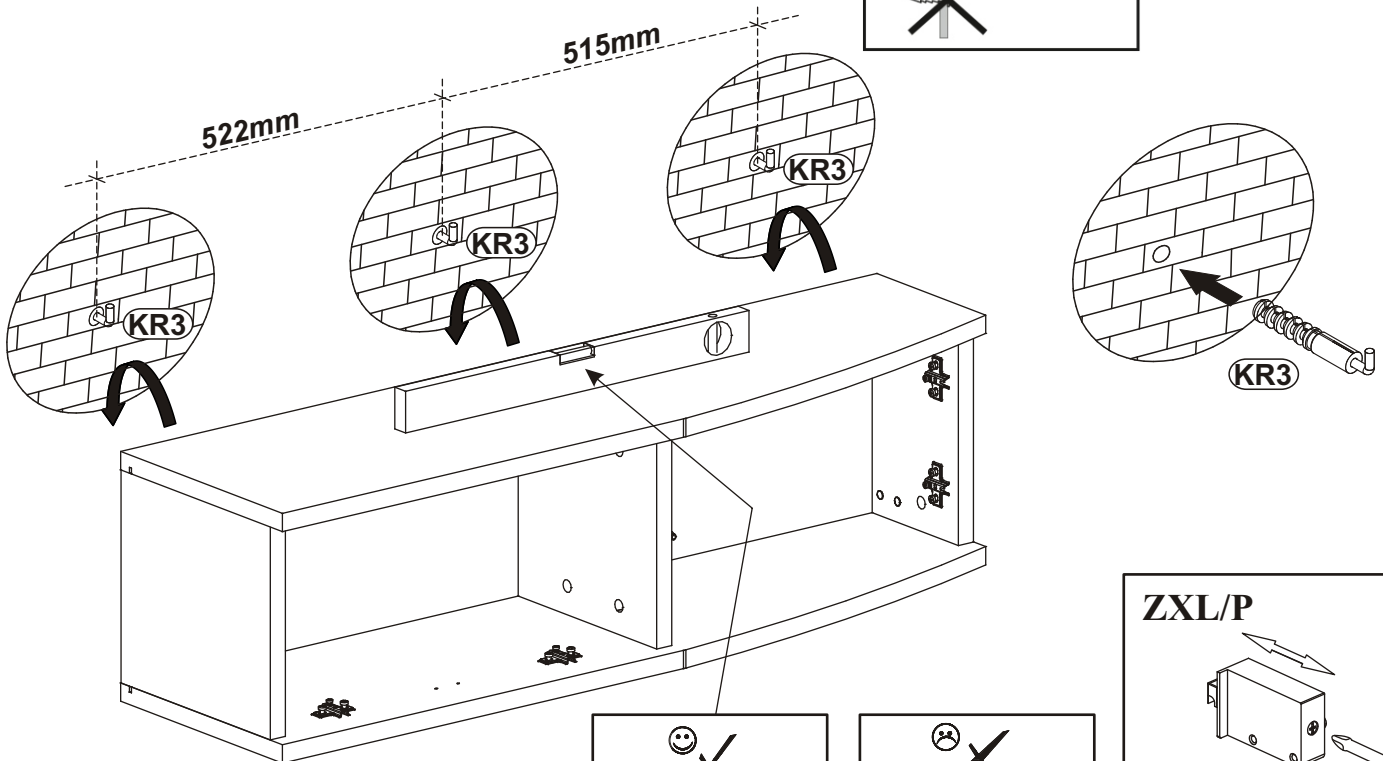
UP13	
x2	UPØ3x16

S1	
x10	

G16	
x2	

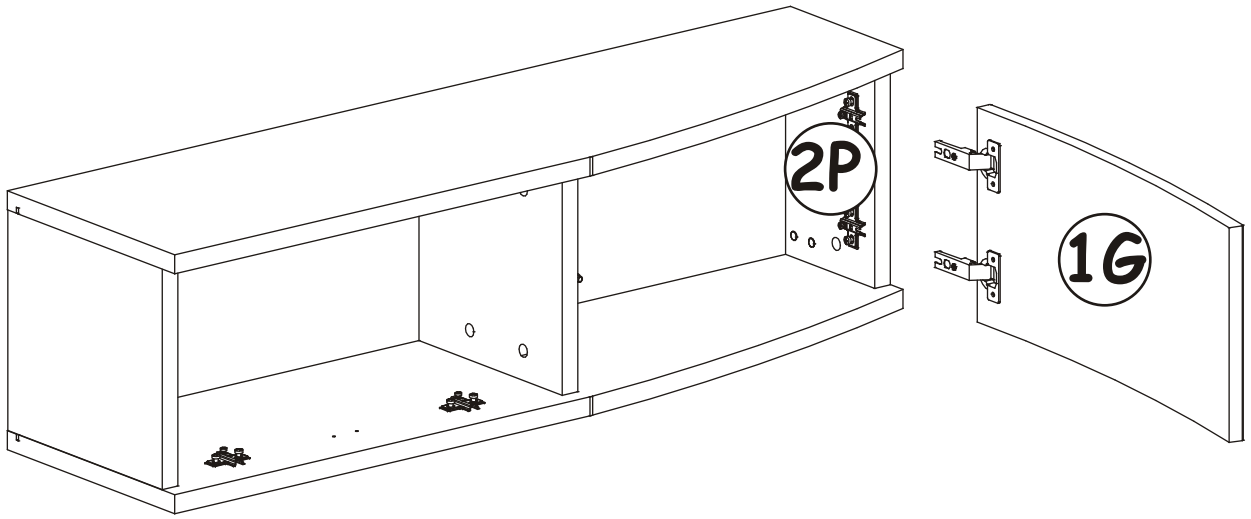
7

KR3	
x3	Ø10

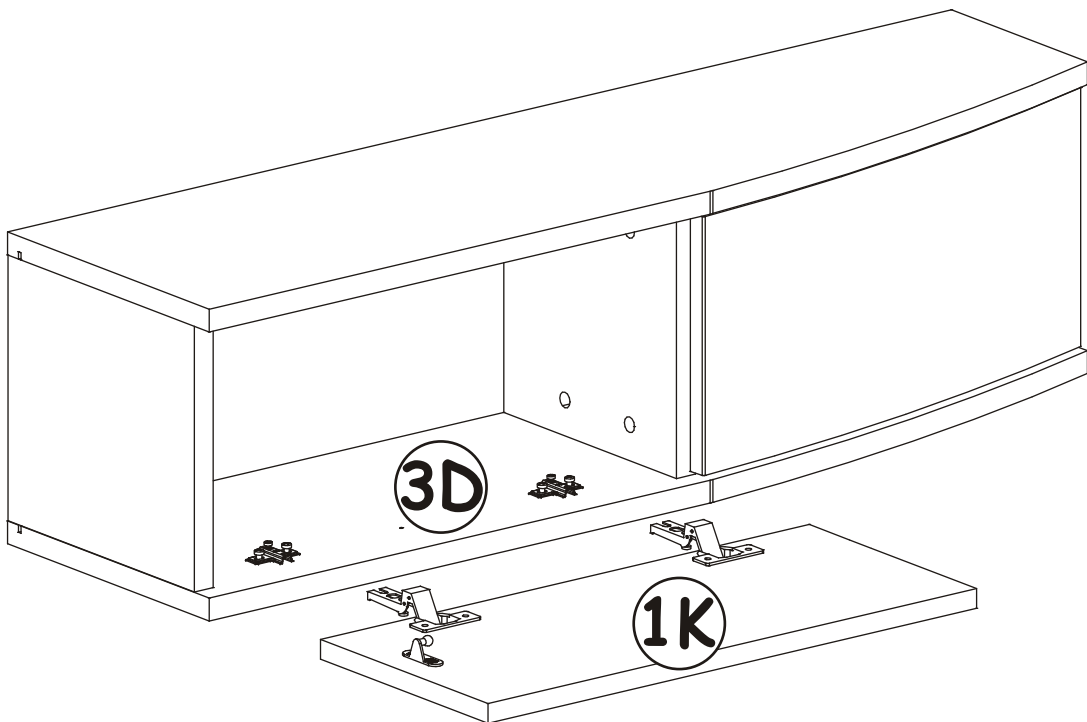
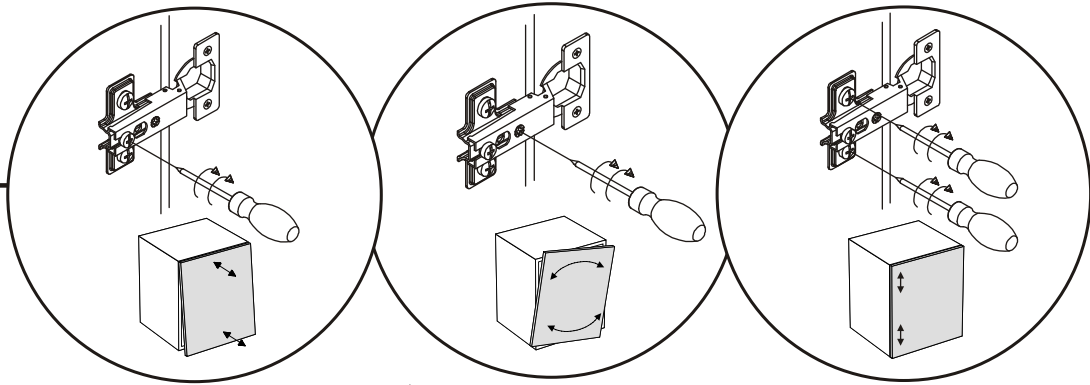


ZXL/P

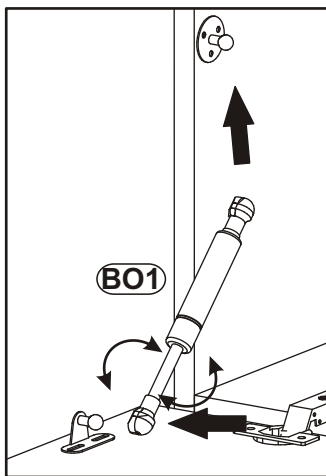
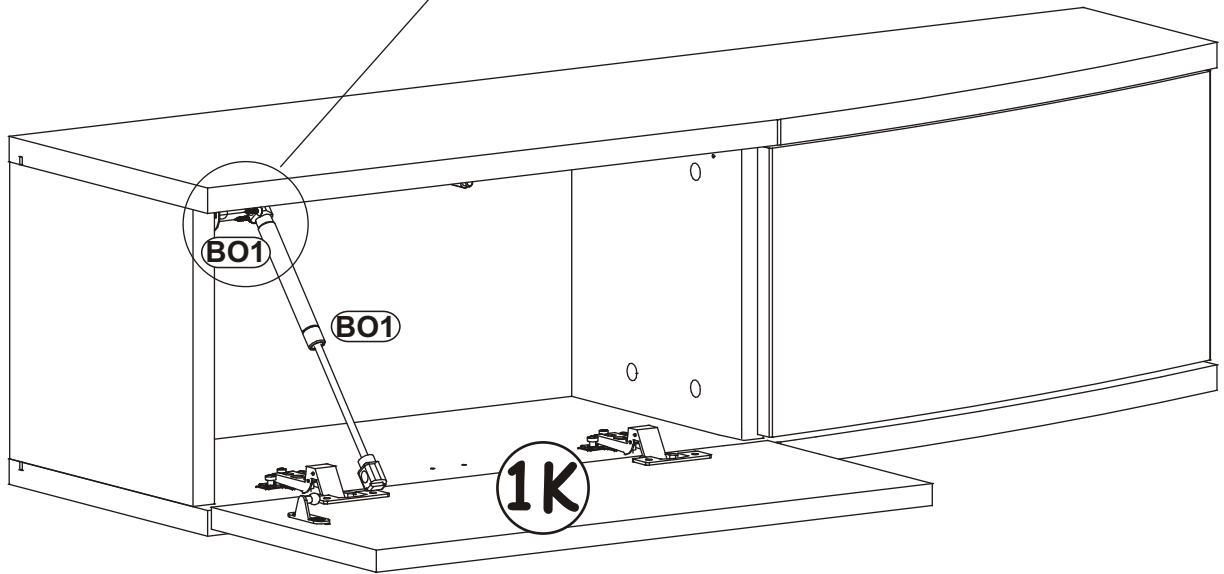
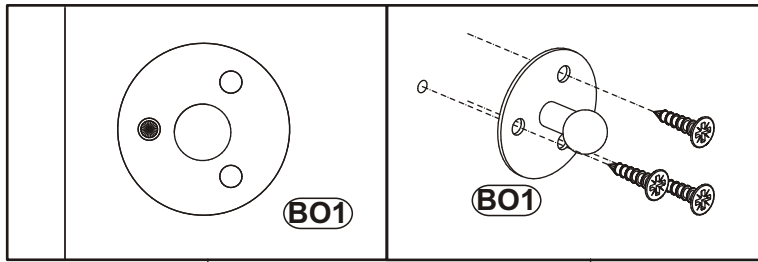
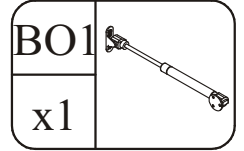
8





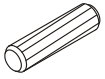

9

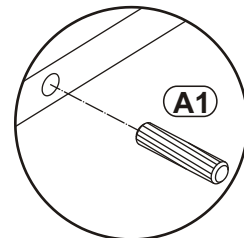
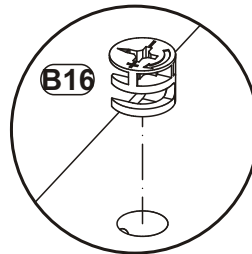
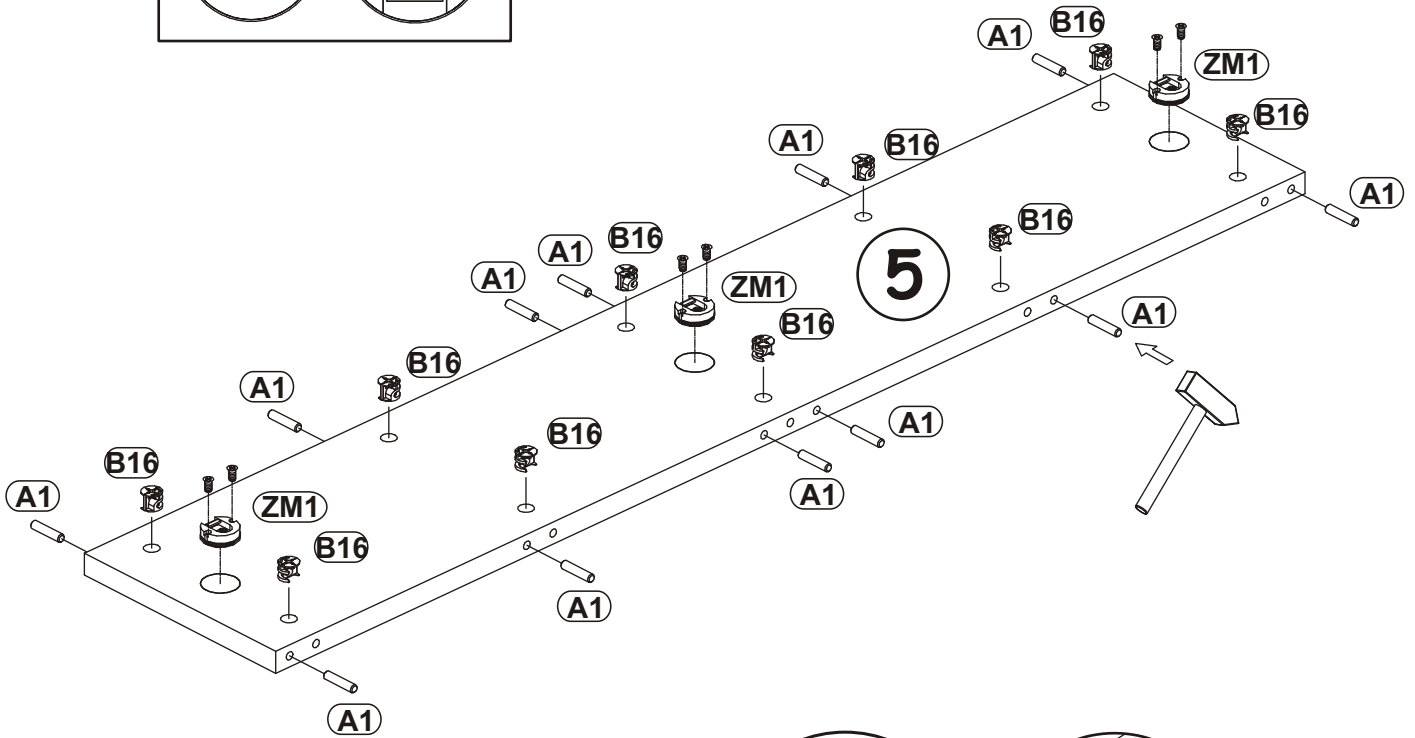
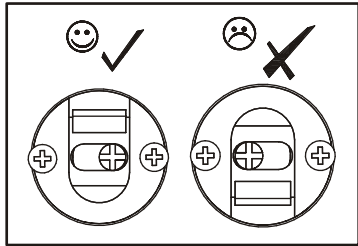
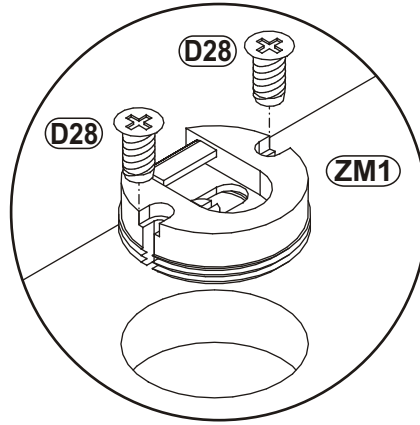
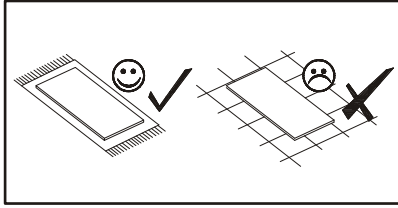


10

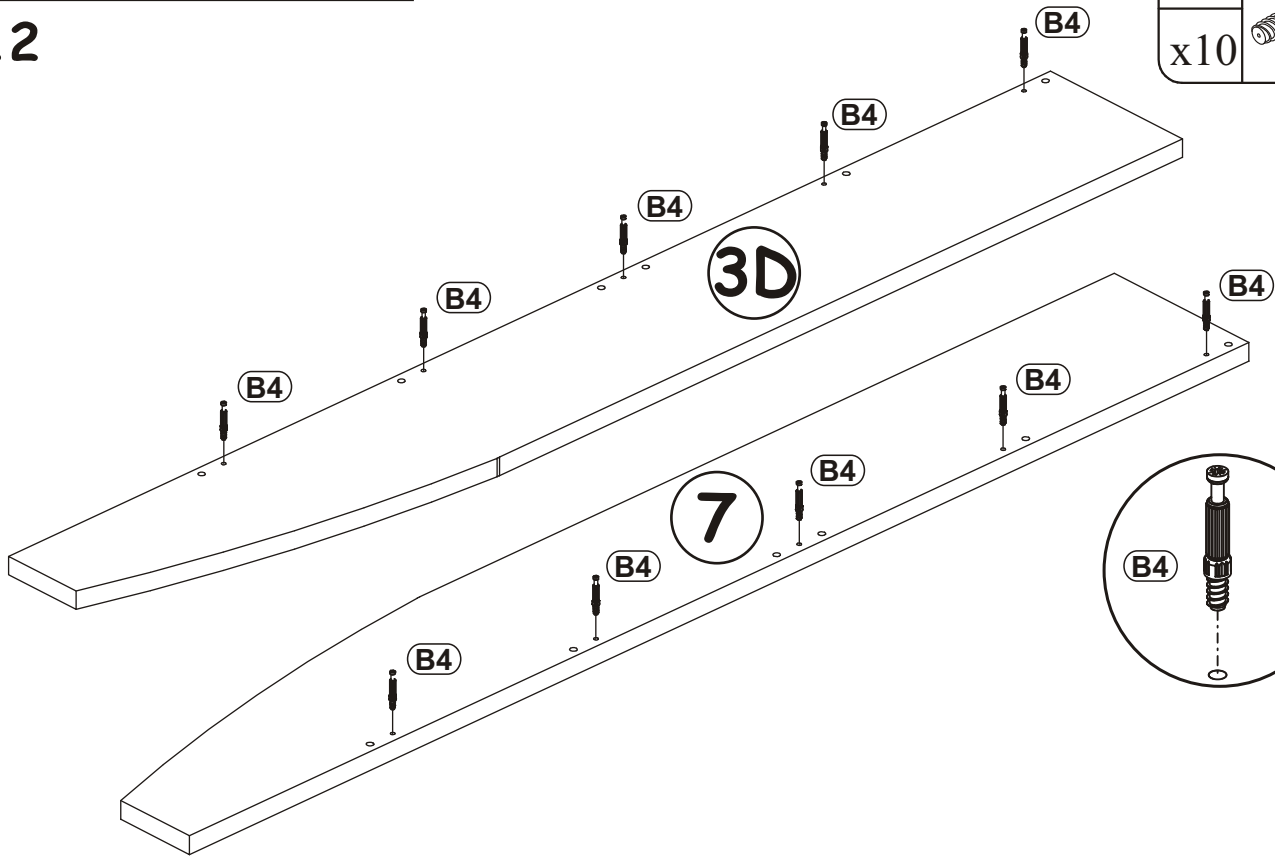
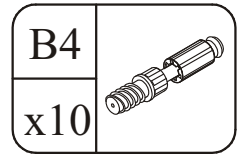


11

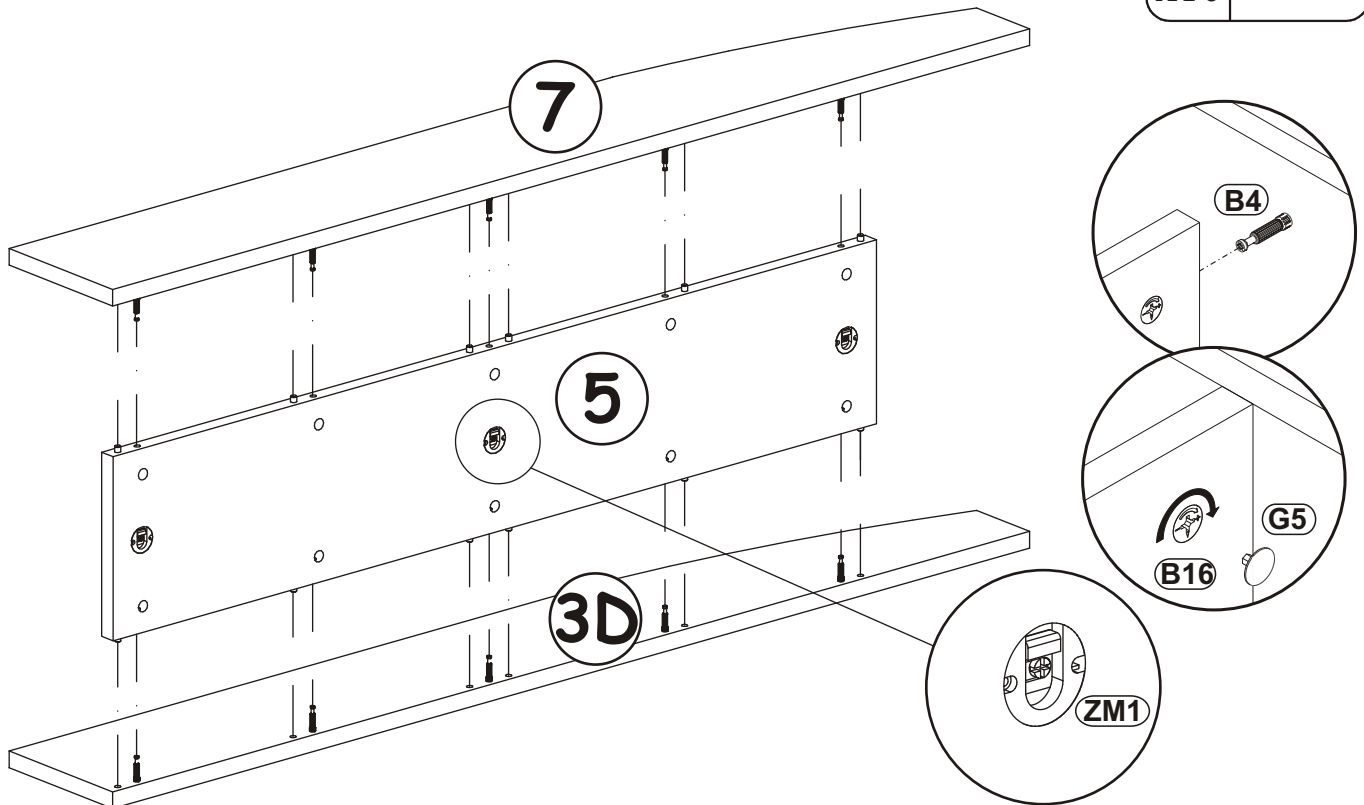
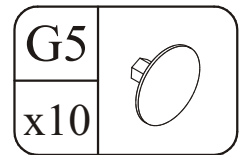
D28		B16		A1	
x6	ESØ6x9,5	x10	Ø15x16	x8	ø8x36
				ZM1	
				x3	



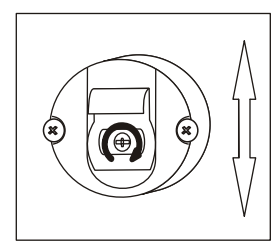
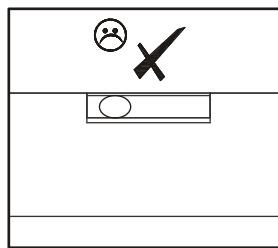
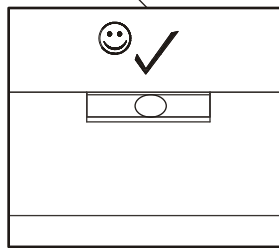
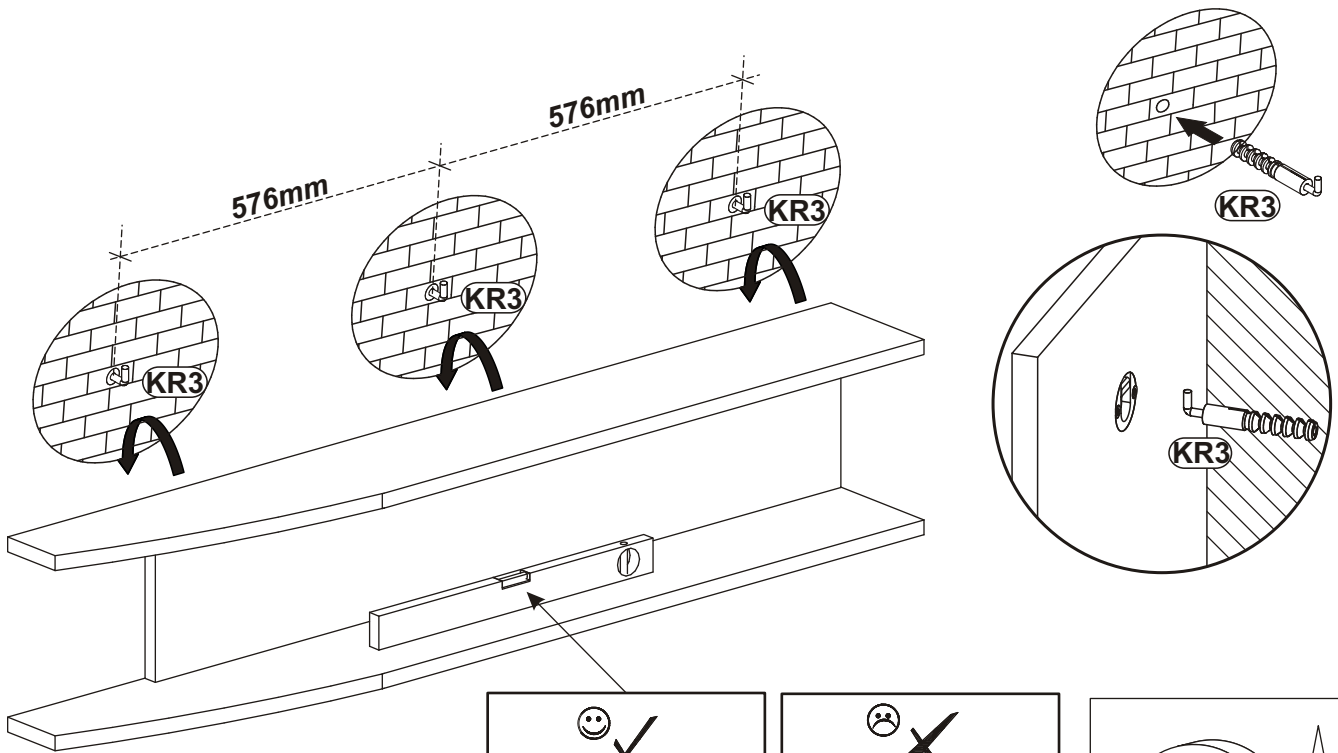
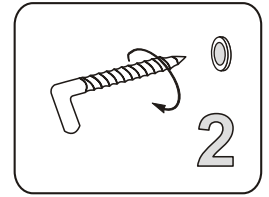
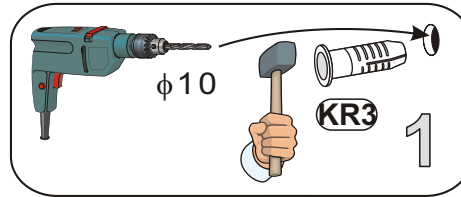
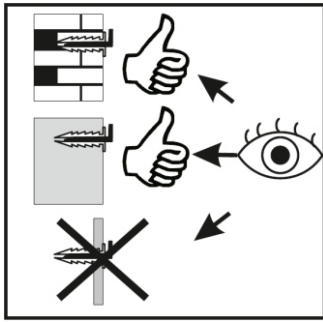
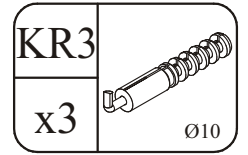
12



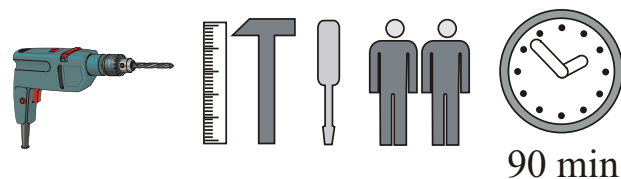
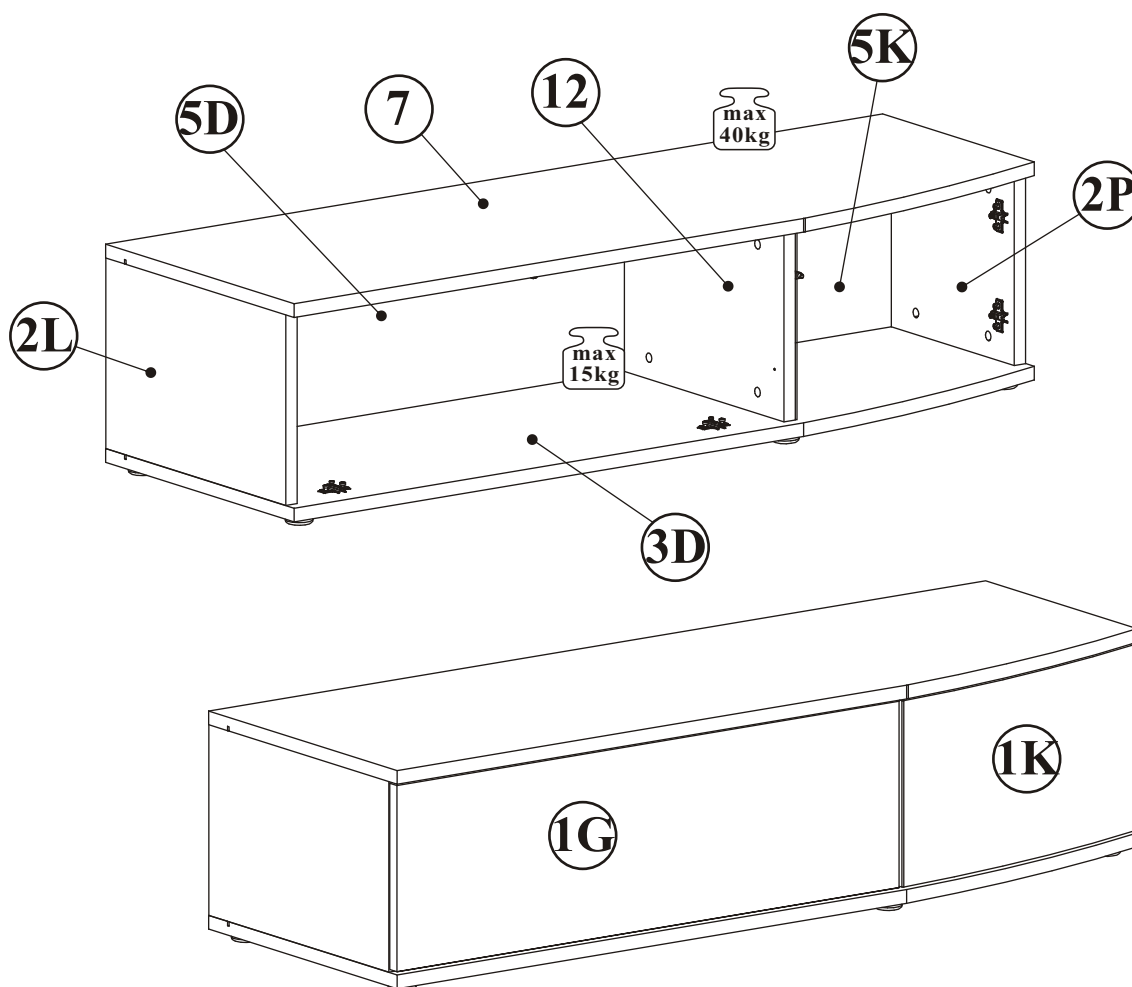
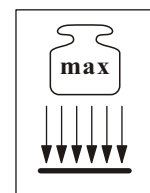
13



14



# MANHATAN TYP-32

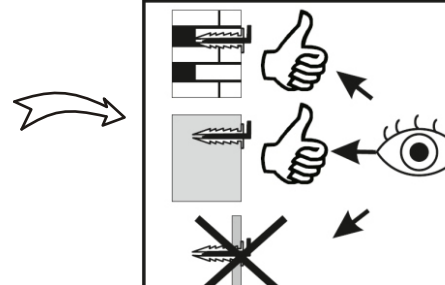
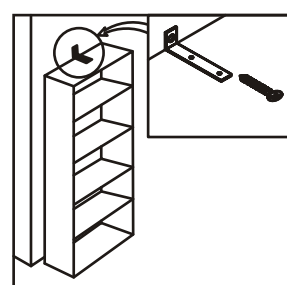
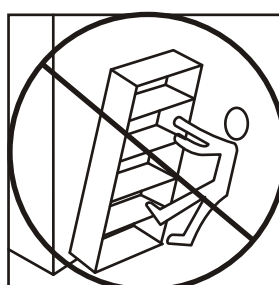
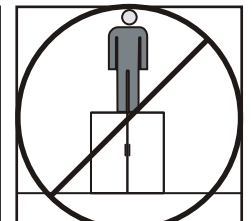
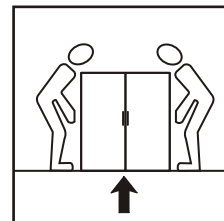
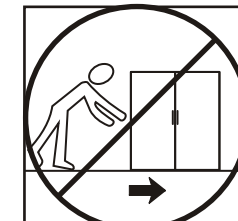
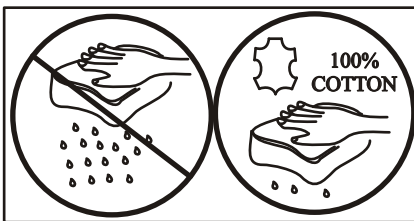
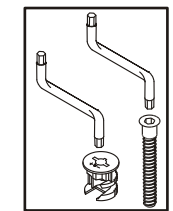
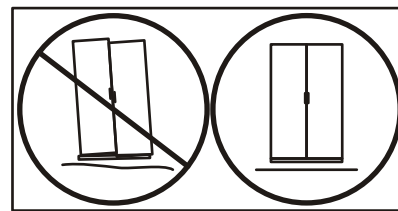
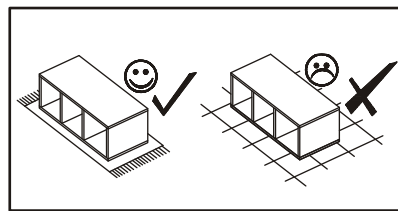
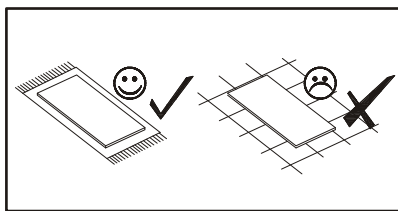
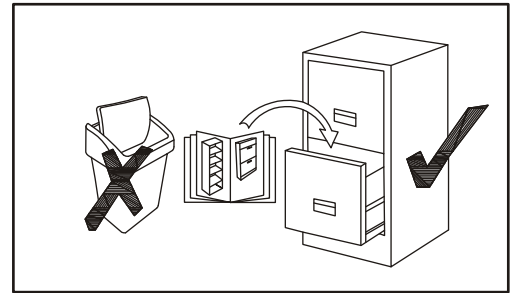
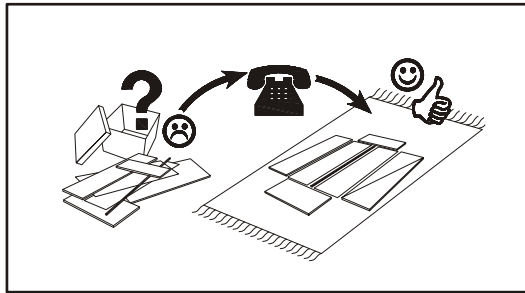
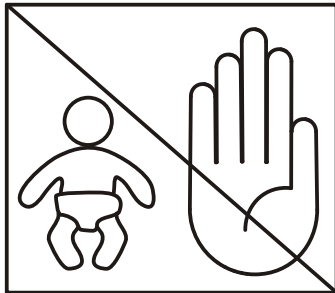
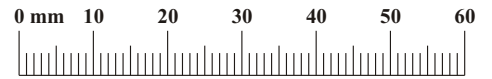


90 min

NO	Dim.			Col-No	Qty
2L	306	477	22	2/6	1
2P	306	380	22	2/6	1
12	306	423	22	2/6	1
3D	1501	500	22	2/6	1
5D	318	957	3	2/6	1
5K	318	510	3	2/6	1
7	1501	500	22	2/6	1
1G	523	299	18	3/6	1
1K	970	299	19	3/6	1

# MANHATAN TYP-32

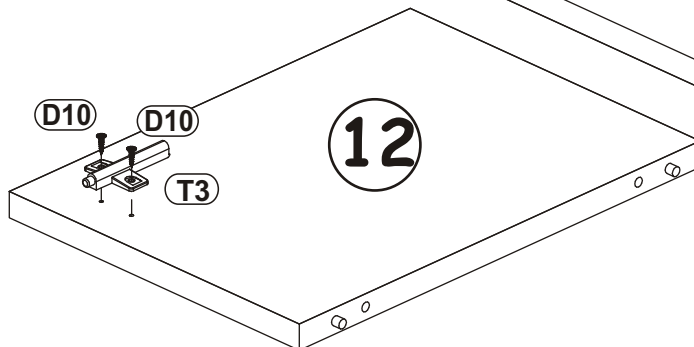
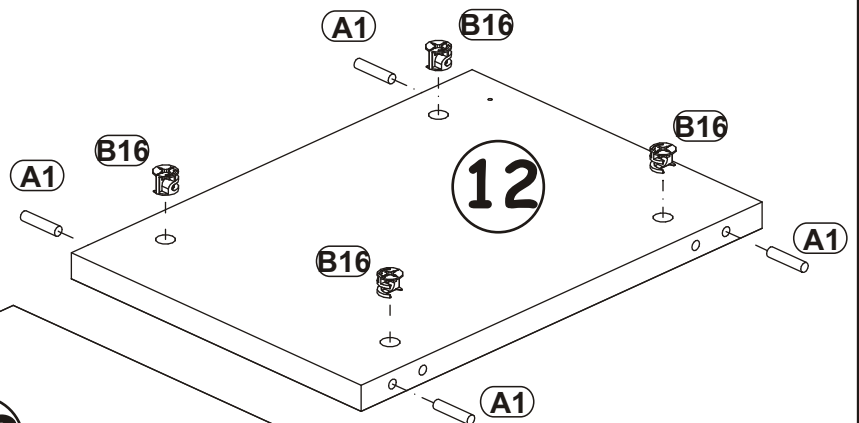
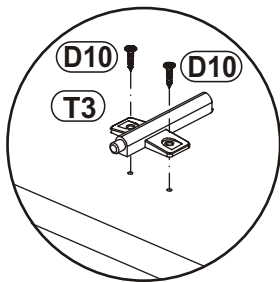
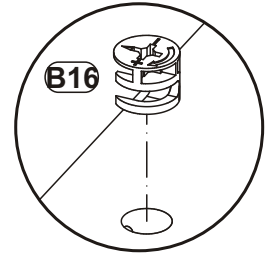
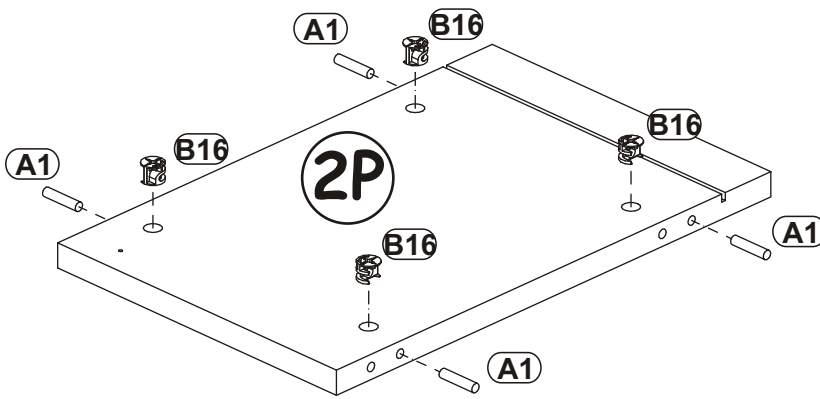
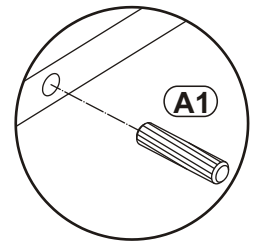
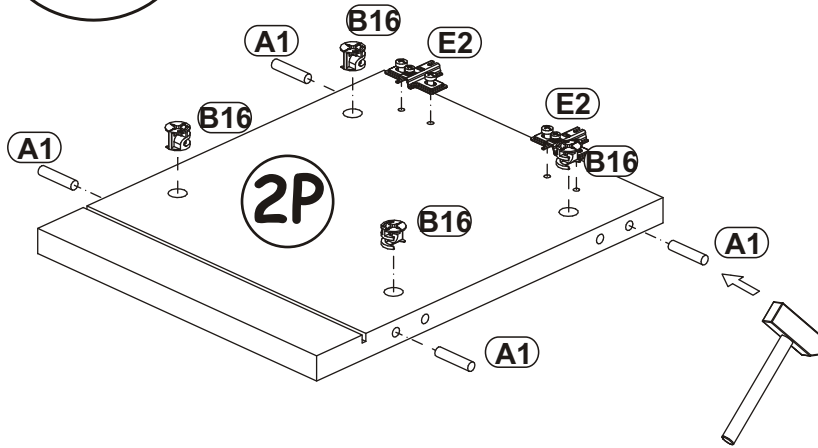
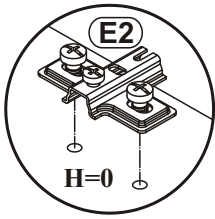
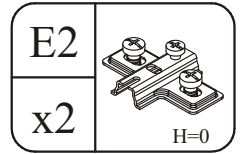
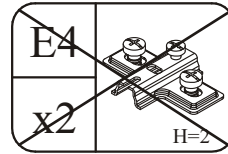
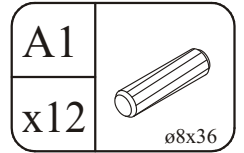
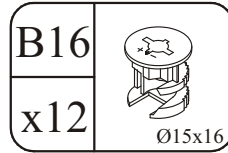
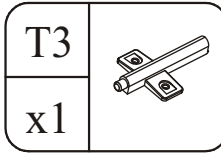
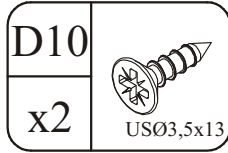
A1 x12 ø8x36	B4 x12	B16 x12 Ø15x16	G5 x12	E2 x2 H=0	E21 x2 Ø35 H=0
UP11 x6 UPØ4x20	I11 x6 Ø45, h=15	UP13 x2 UPØ3x16	G16 x2	L1 x1	KR1 x1
D10 x18 USØ3,5x13	S1 x12	E4 x2 H=2	E25 x2 Ø35 H=16	BO1 x2	G2 x1
T3 x2					





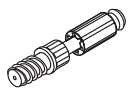
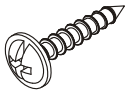
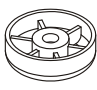
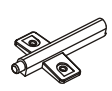
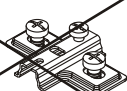
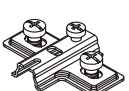

MANHATAN TYP-32

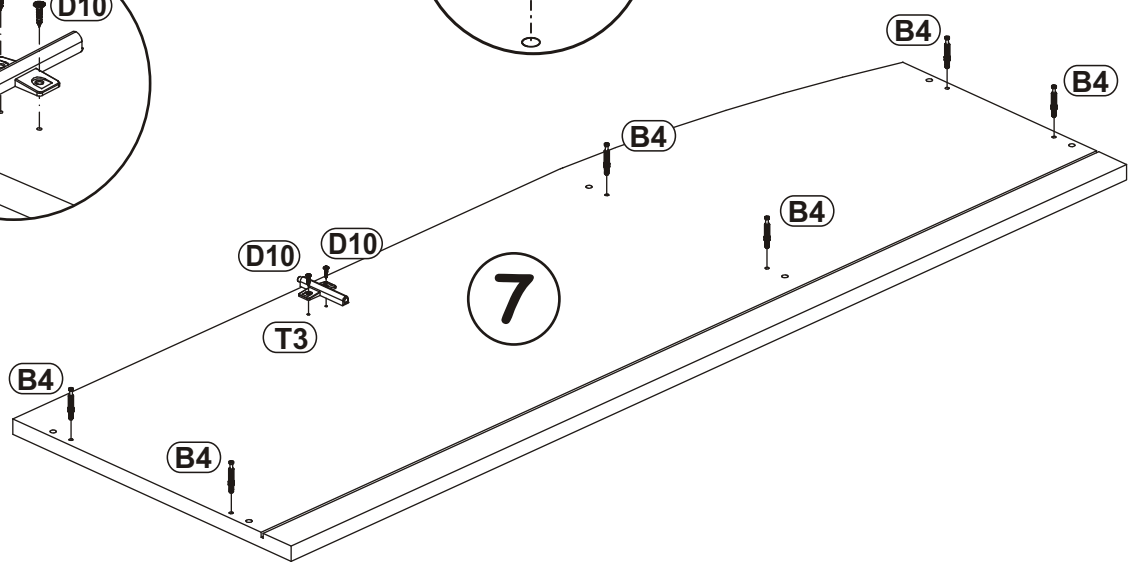
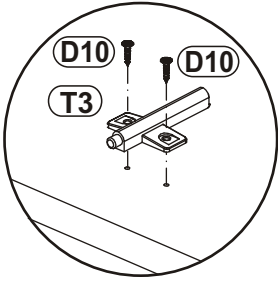
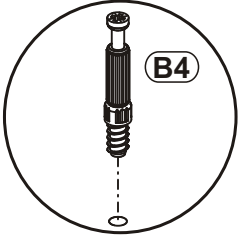
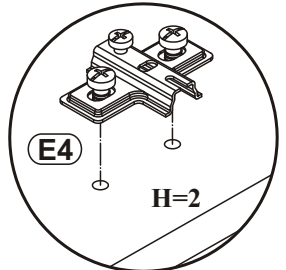
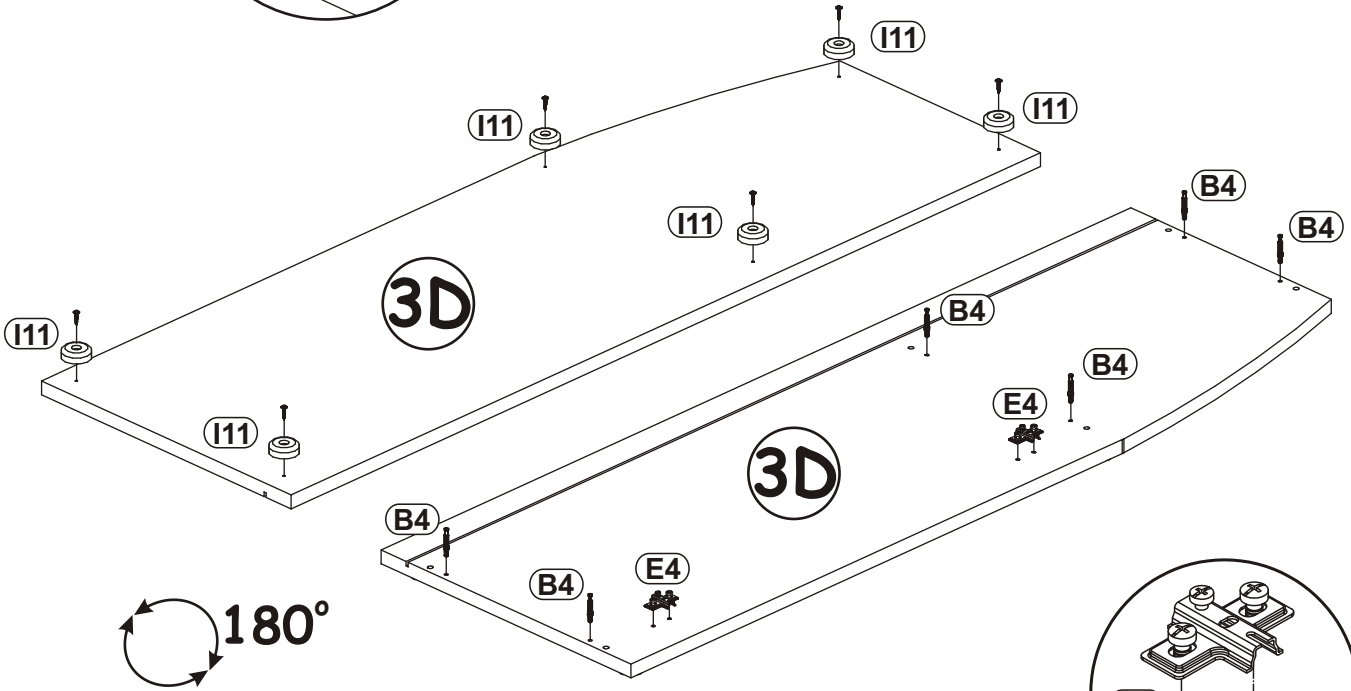
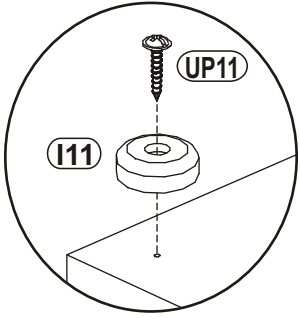
1



MANHATAN TYP-32

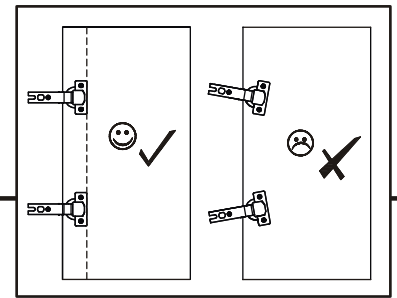
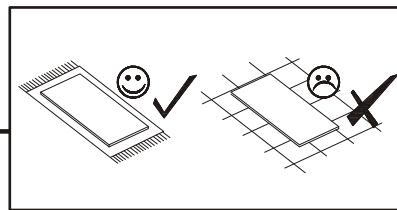
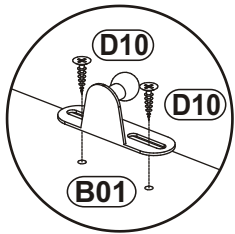
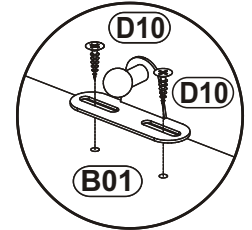
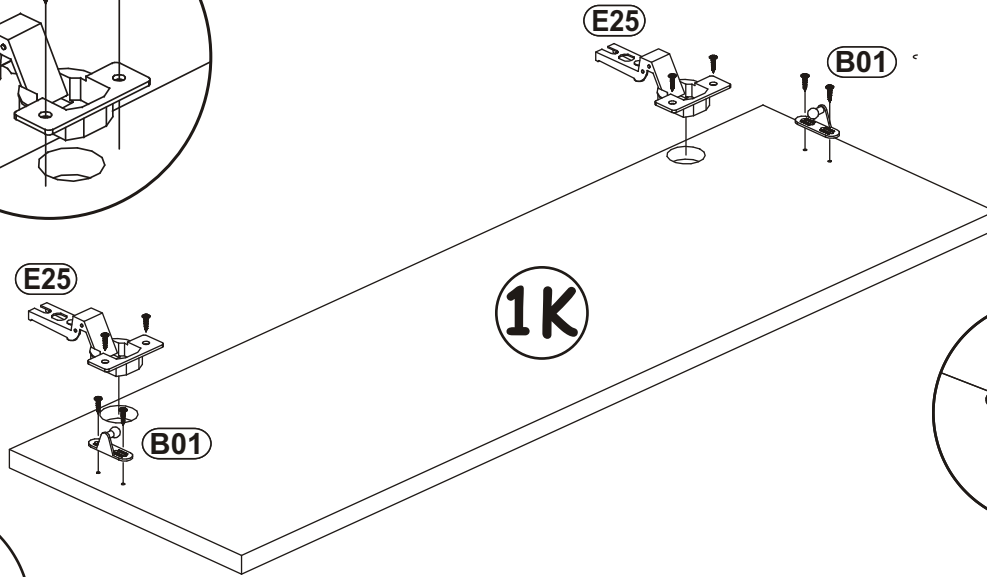
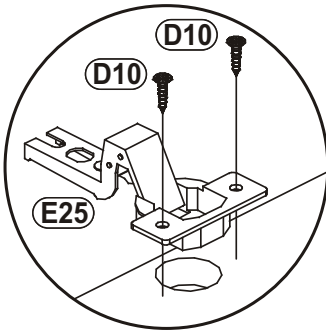
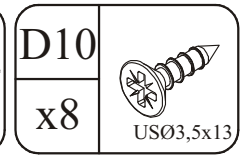
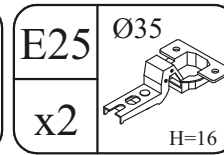
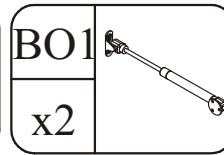
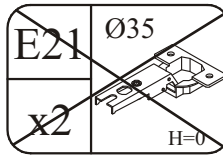
2

B4		UP11		I11	
x12		x6	UPØ4x20	x8	Ø45, h=15
T3		E2		E4	
x1		x2	H=0	x2	H=2
		D10			
		x2	USØ3,5x13		

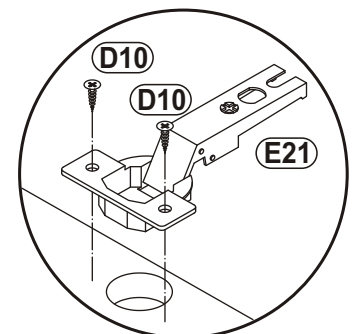
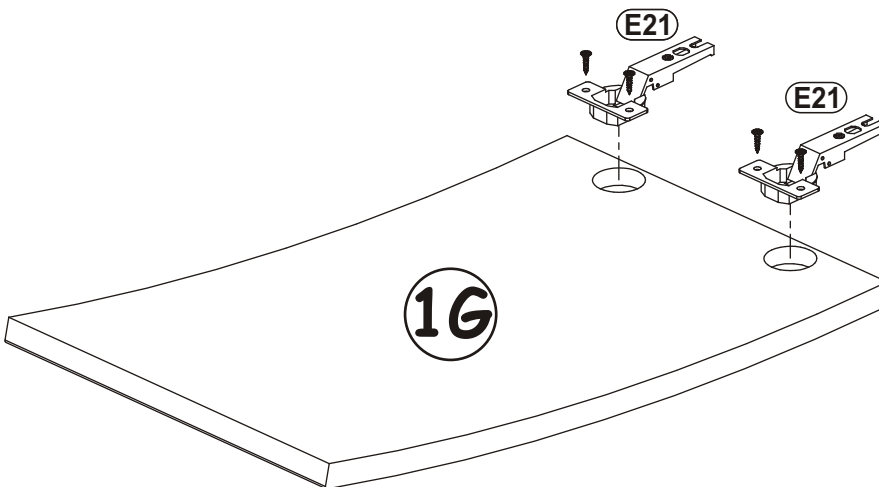
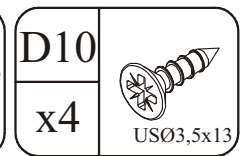
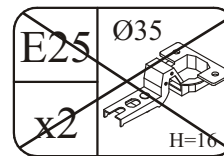
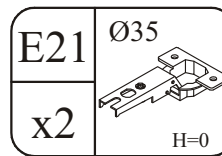


MANHATAN TYP-32

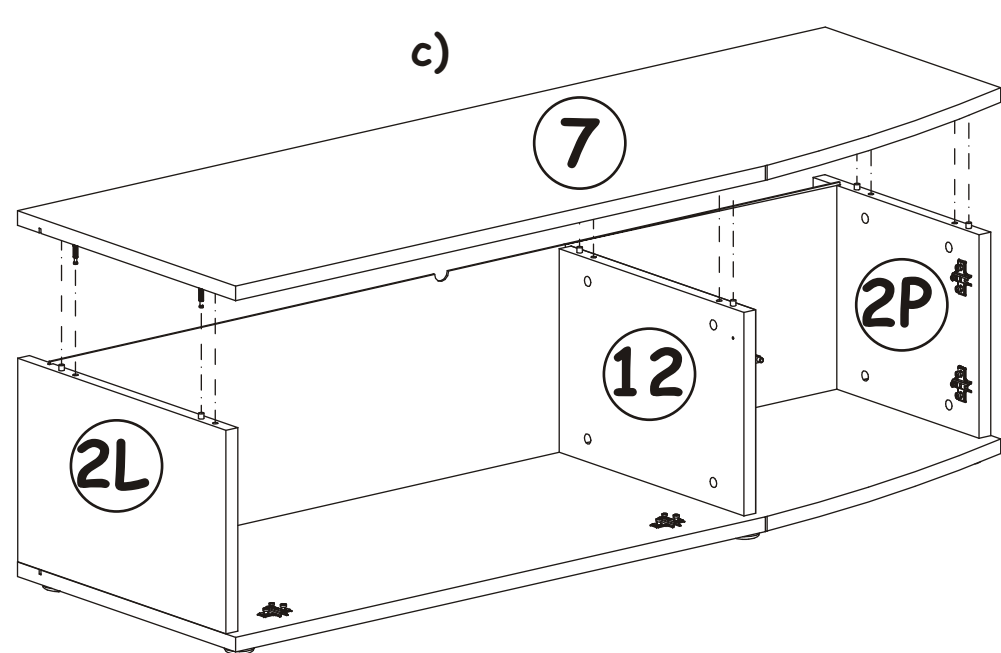
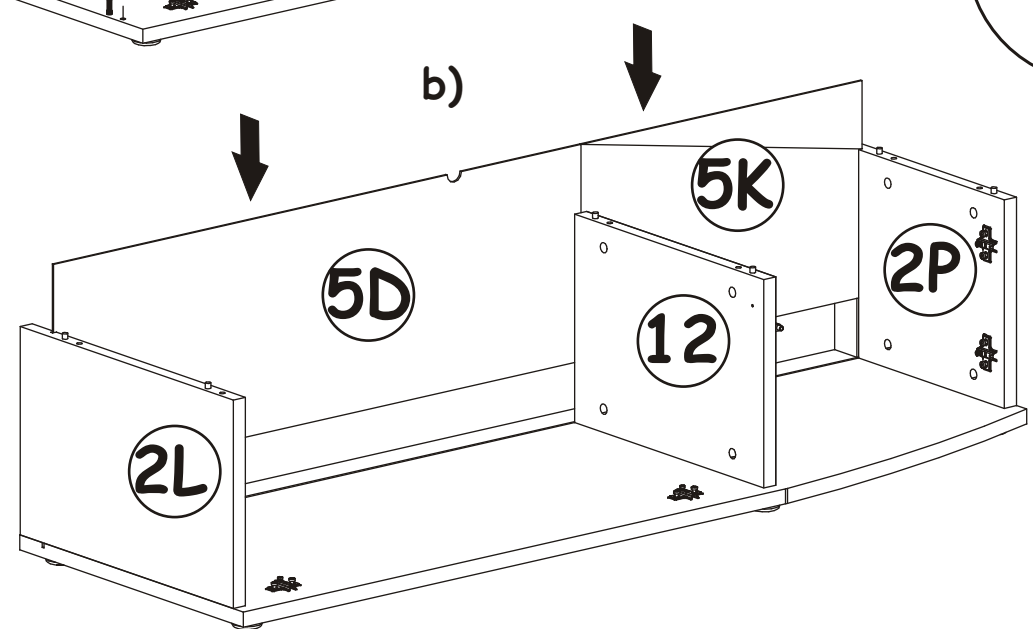
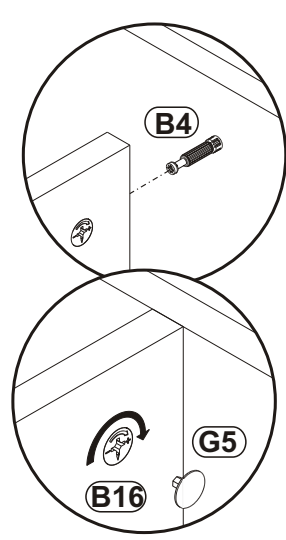
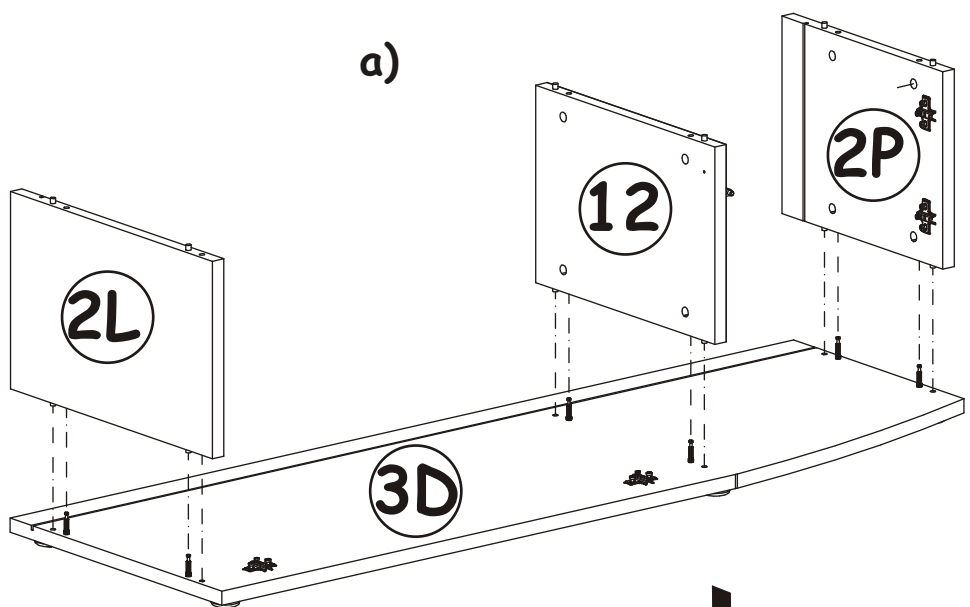
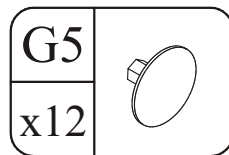
3



4

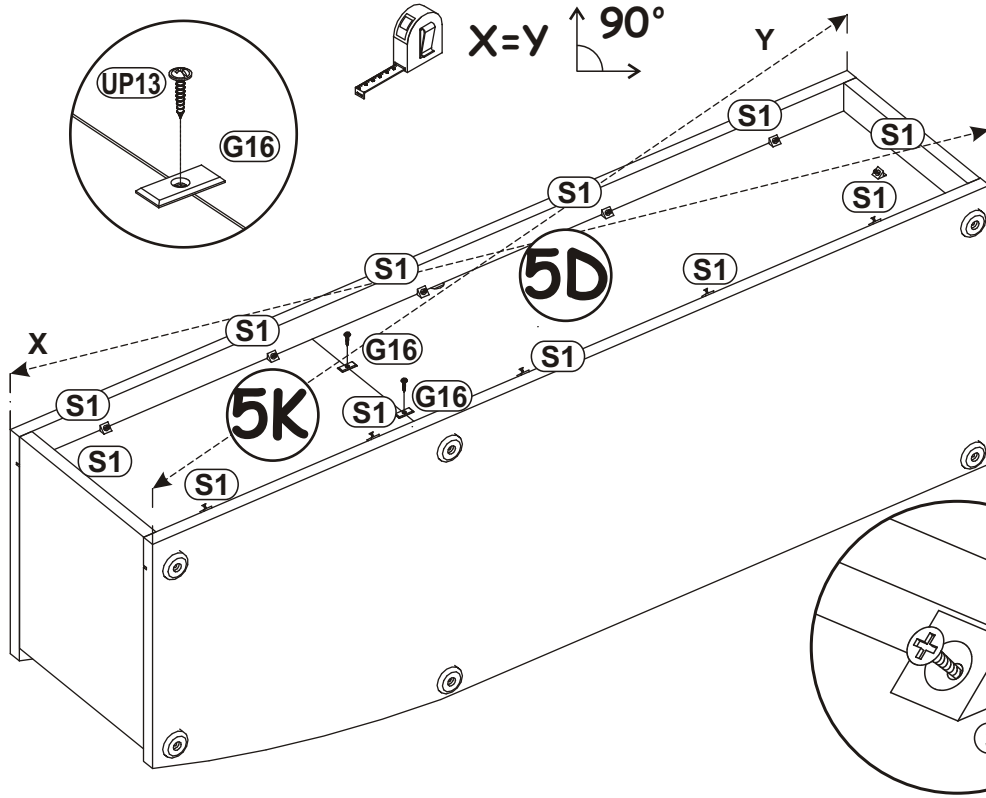


5



MANHATAN TYP-32

6

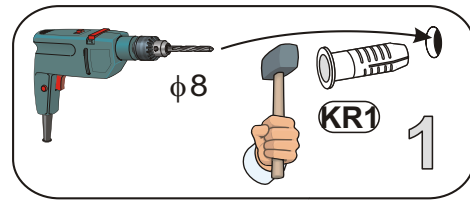
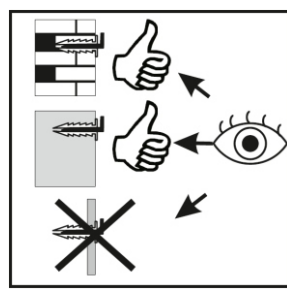


UP13	
x2	UPØ3x16

S1	
x12	

G16	
x2	

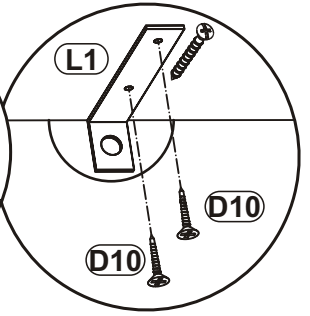
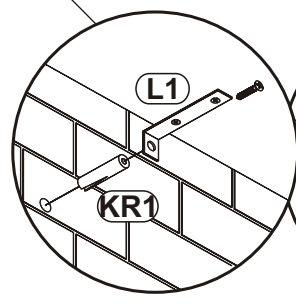
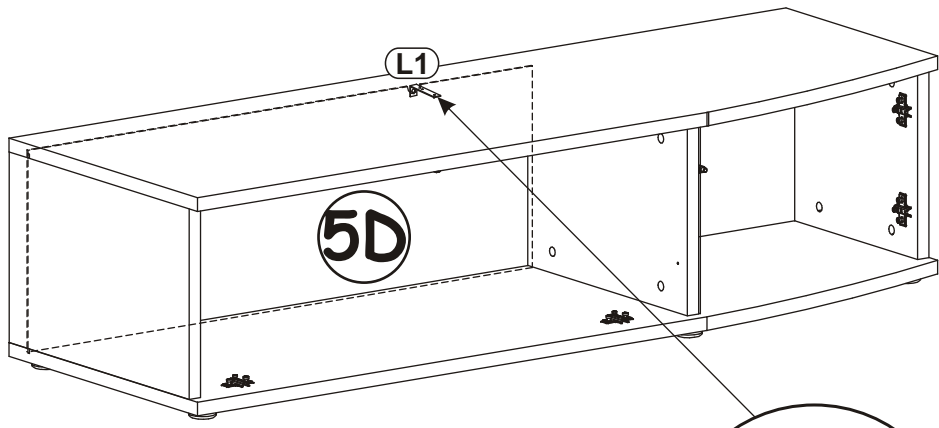
7



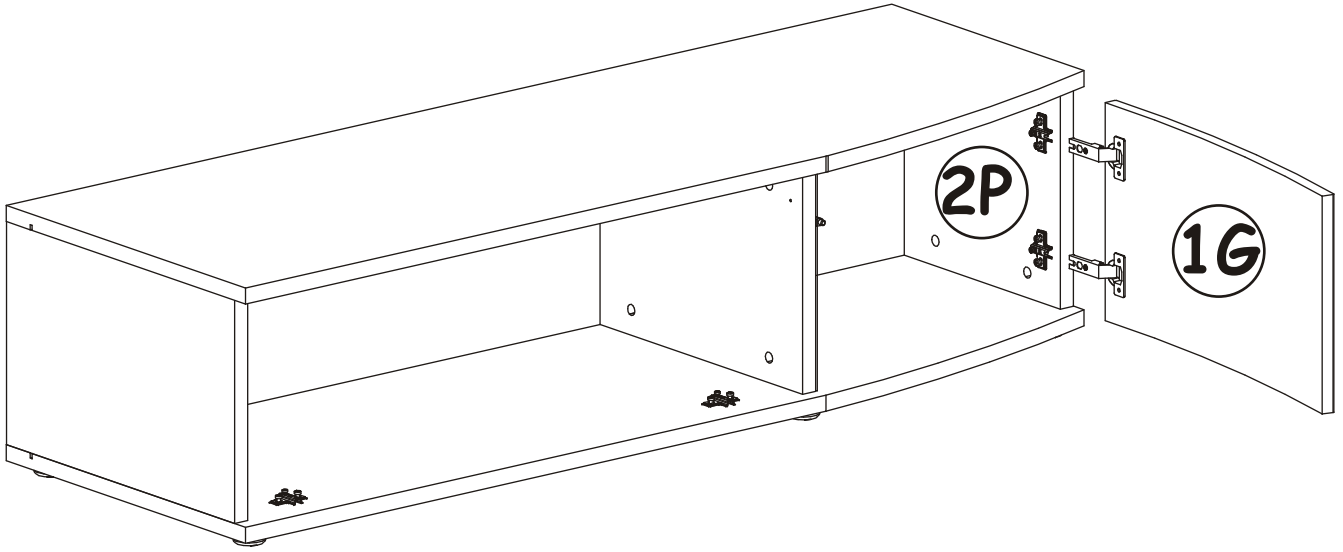
KR1	
x1	

D10	
x2	USØ3,5x13

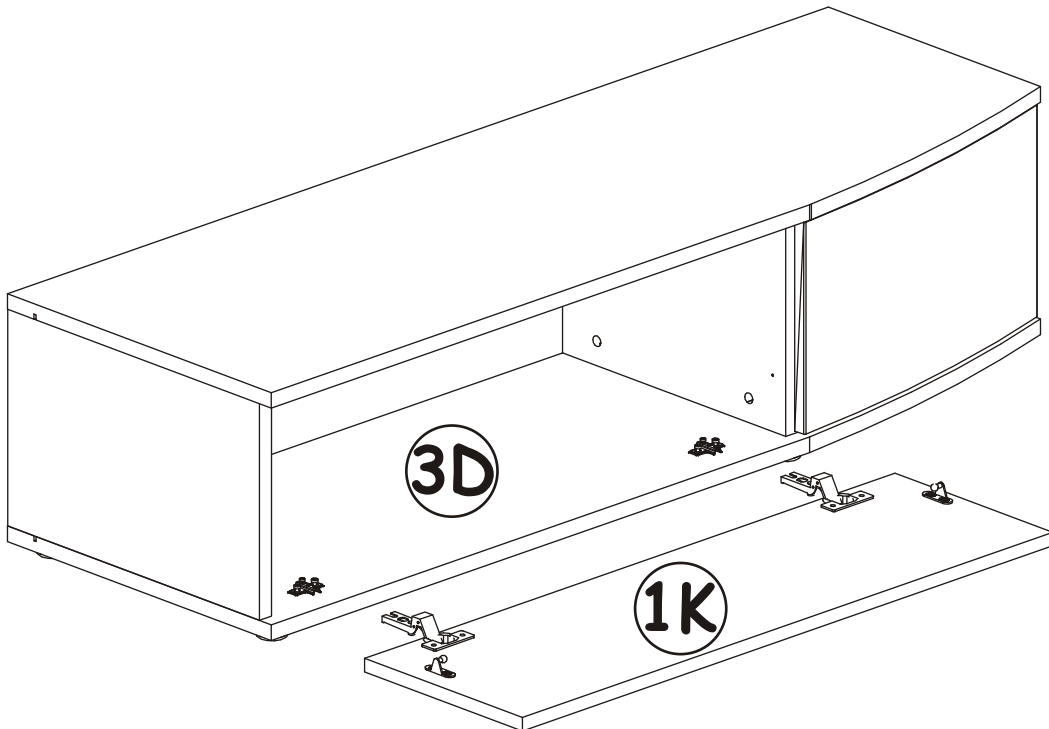
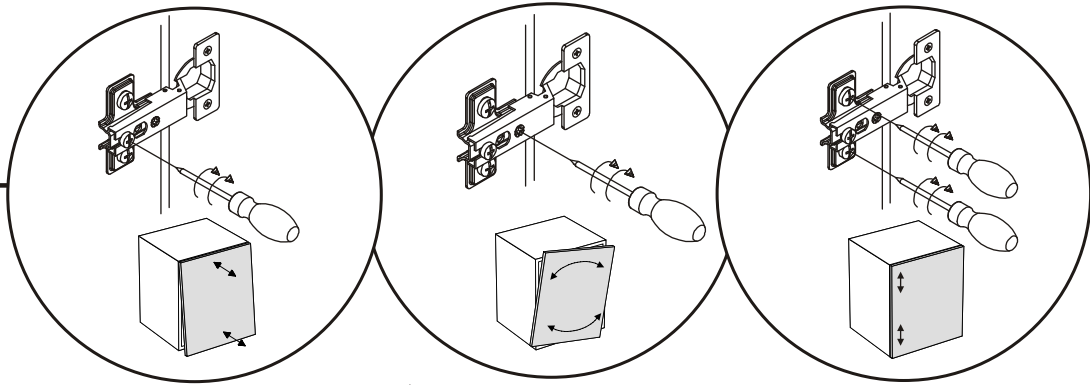
L1	
x1	



8



9



10

