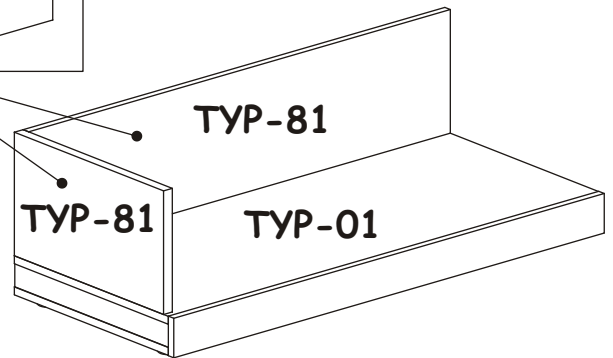
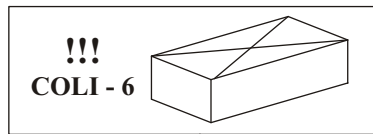
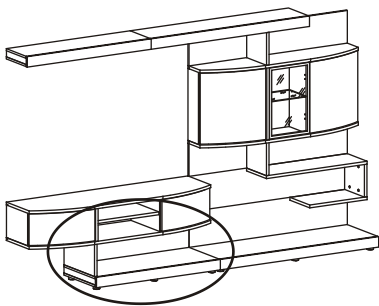
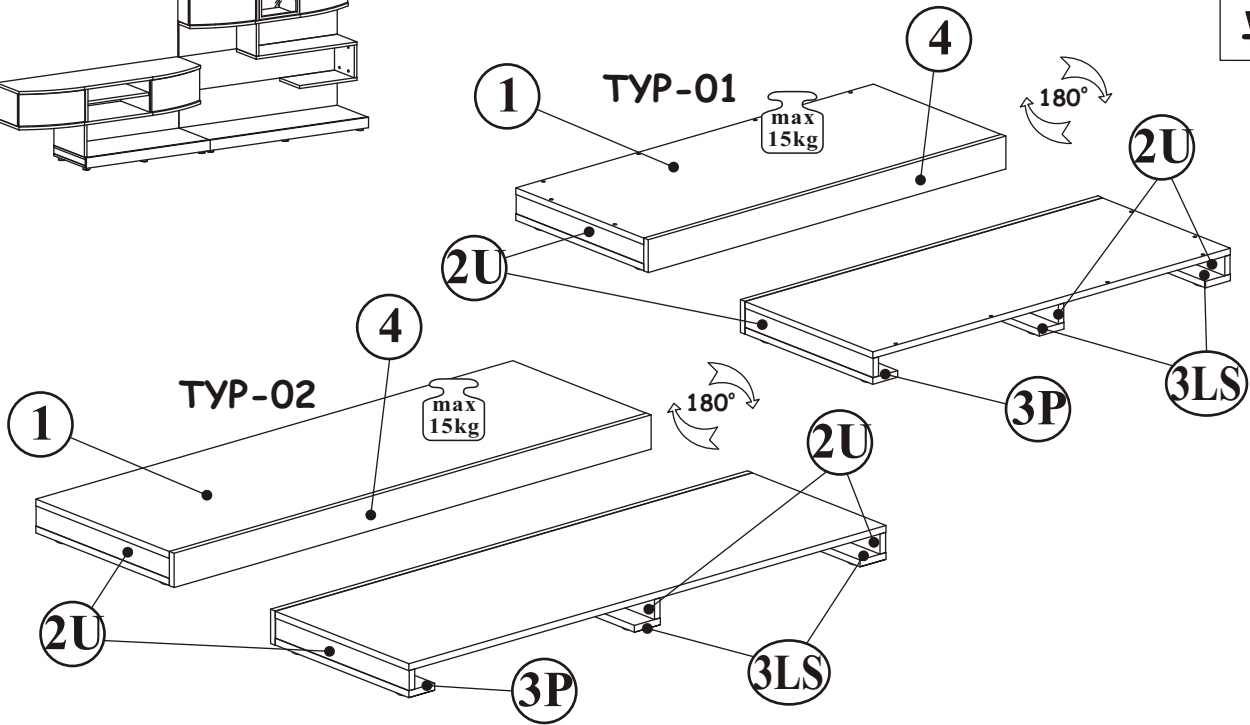
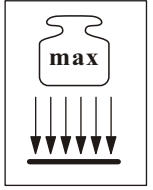
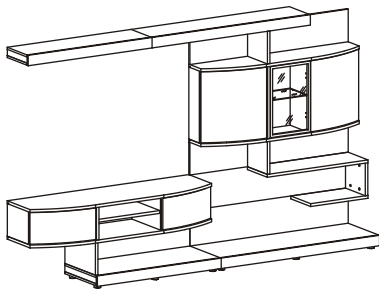
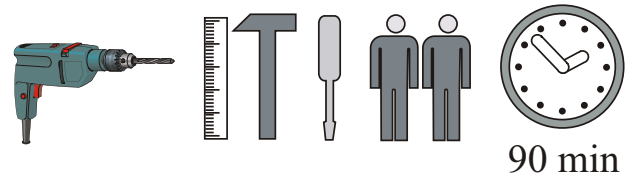


PALERMO 20 _PM TYP-01 ; TYP-02



TYP-81

NO	Dim.			Col-No	Qty
10	1058	250	16	6	1
11	250	436	22	6	1



90 min

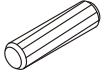
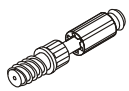


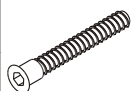

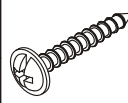
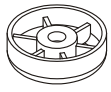

TYP-01

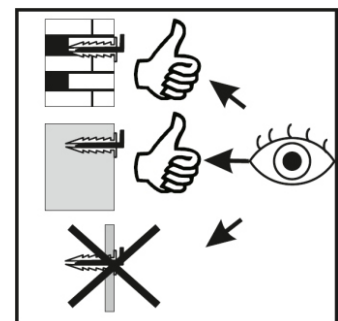
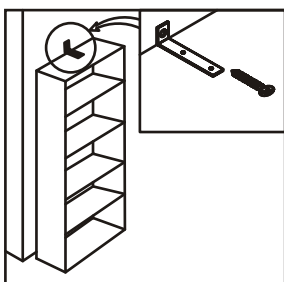
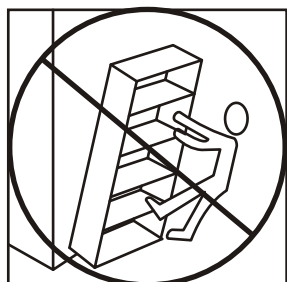
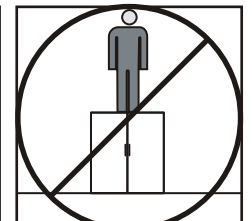
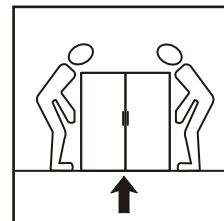
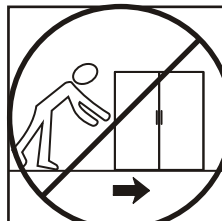
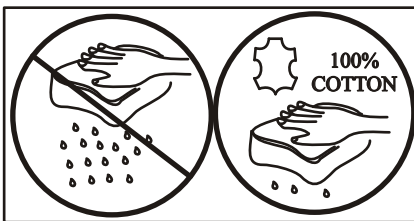
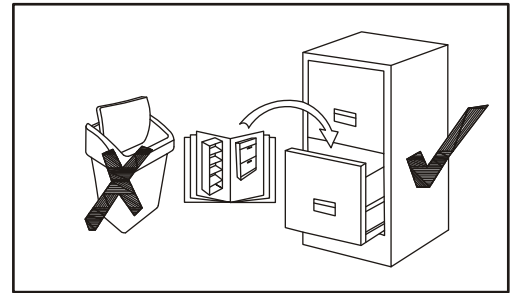
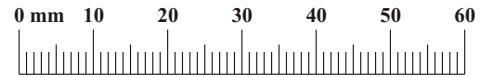
NO	Dim.			Col-No	Qty
1	1080	450	16	5	1
2U	450	47	16	5	3
3LS	450	75	16	5	2
3P	450	75	16	5	1
4	1080	80	16	5	1

TYP-02

NO	Dim.			Col-No	Qty
1	1380	450	16	5	1
4	1380	80	16	5	1
2U	450	47	16	5	3
3LS	450	75	16	5	2
3P	450	75	16	5	1

PALERMO 20 __PM TYP-01;TYP-02

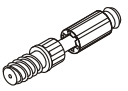
A1 x40  ø8x36	B4 x28 	B5 x28  ø15x12	G5 x22 	B11 x18  Ø7x50	G4 x18 
UP11 x12  UPØ4x20	I11 x12  Ø50, h=25	G2 x1 			

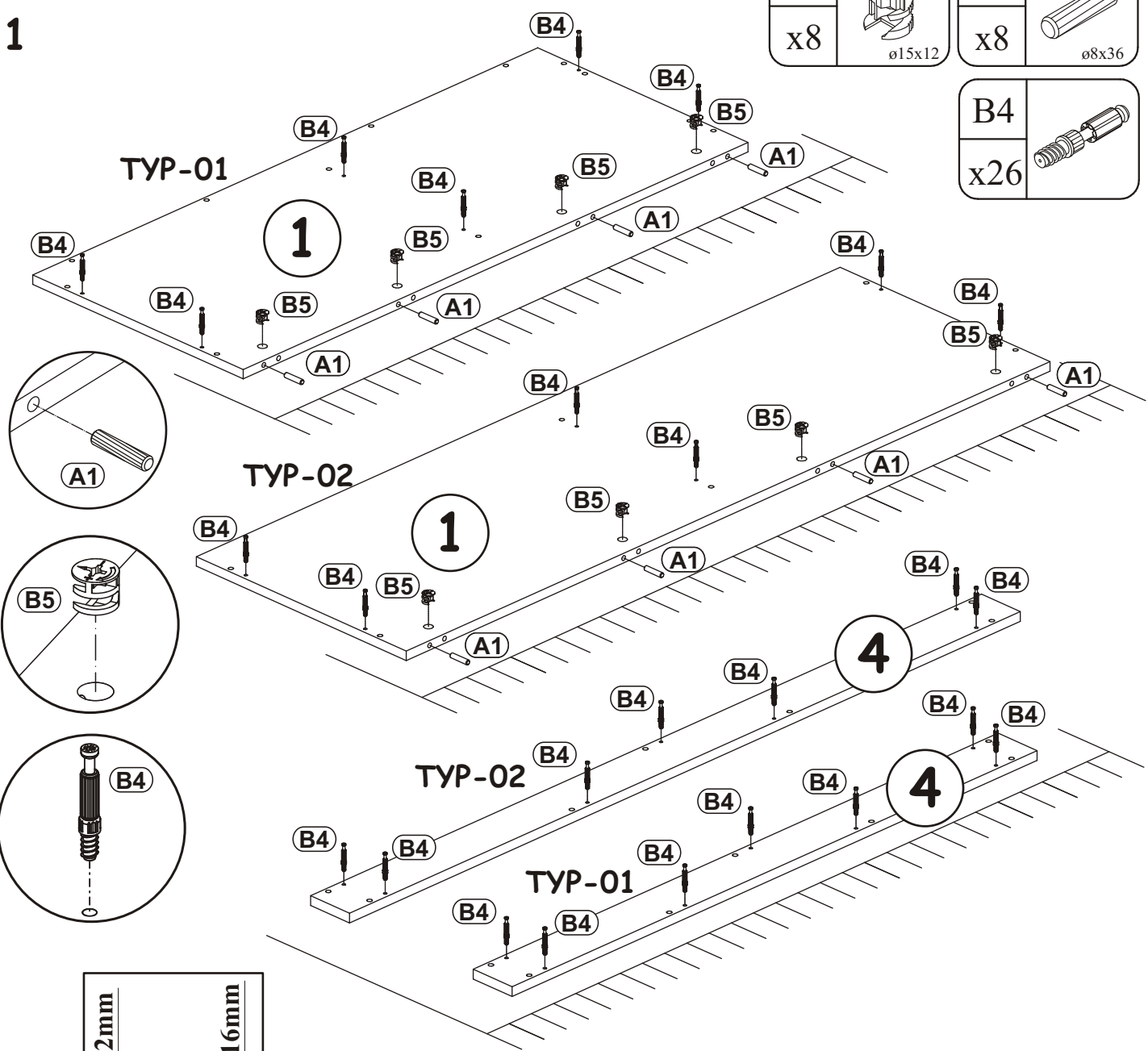


PALERMO 20_PM TYP-01;TYP-02

1

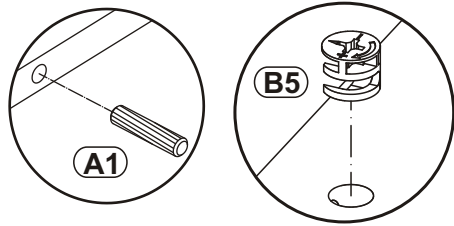
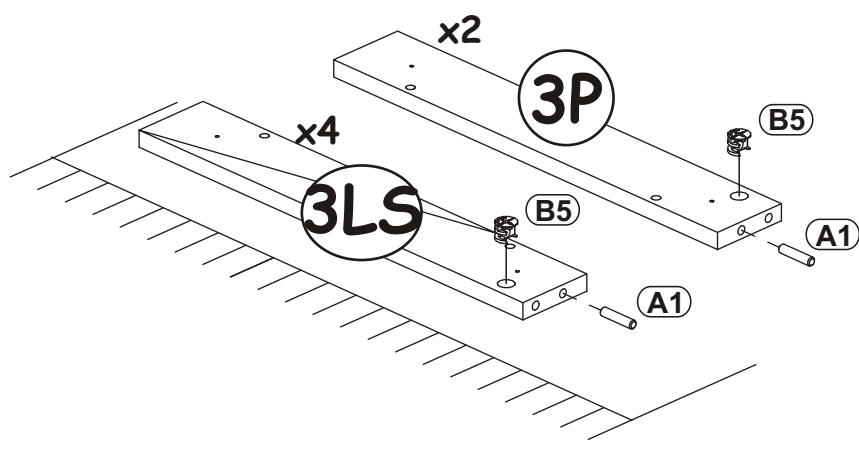
B5		A1	
x8	ø15x12	x8	ø8x36

B4	
x26	



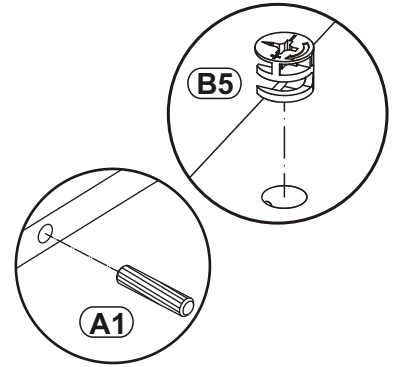
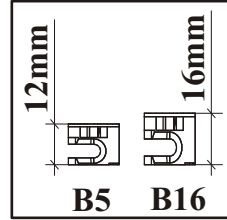
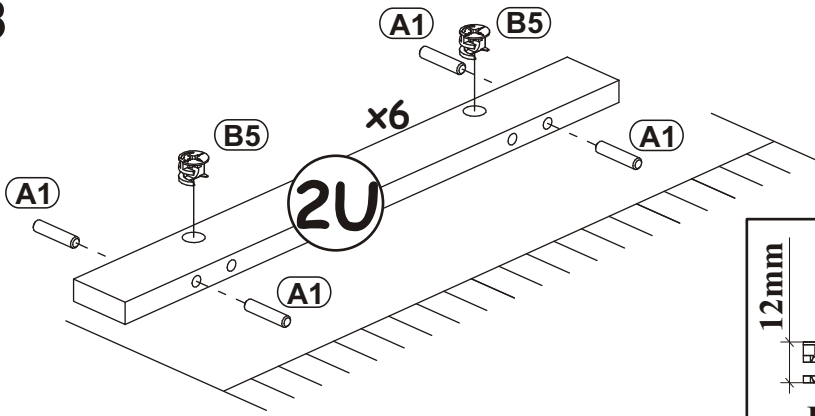
2

B5		A1	
x6	ø15x12	x6	ø8x36

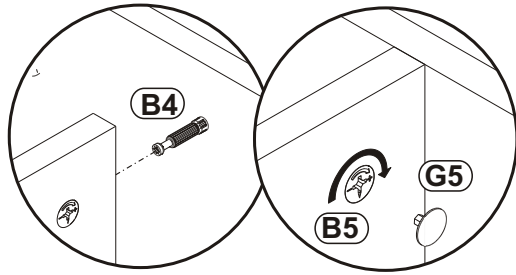


B5		A1	
x12	ø15x12	x24	ø8x36

3



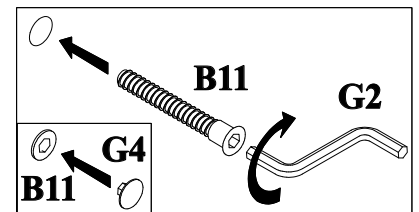
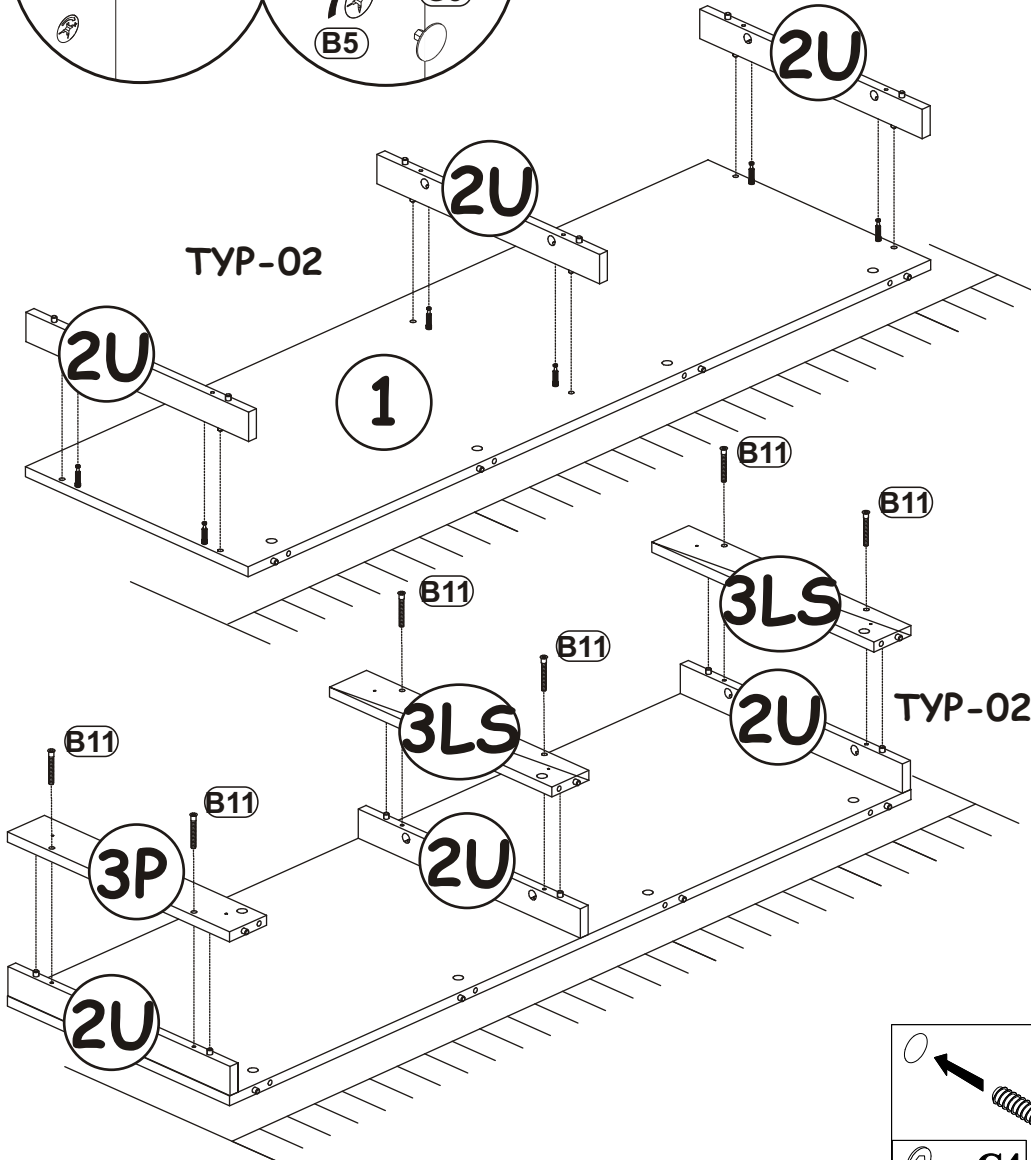
4




G5	
x6	

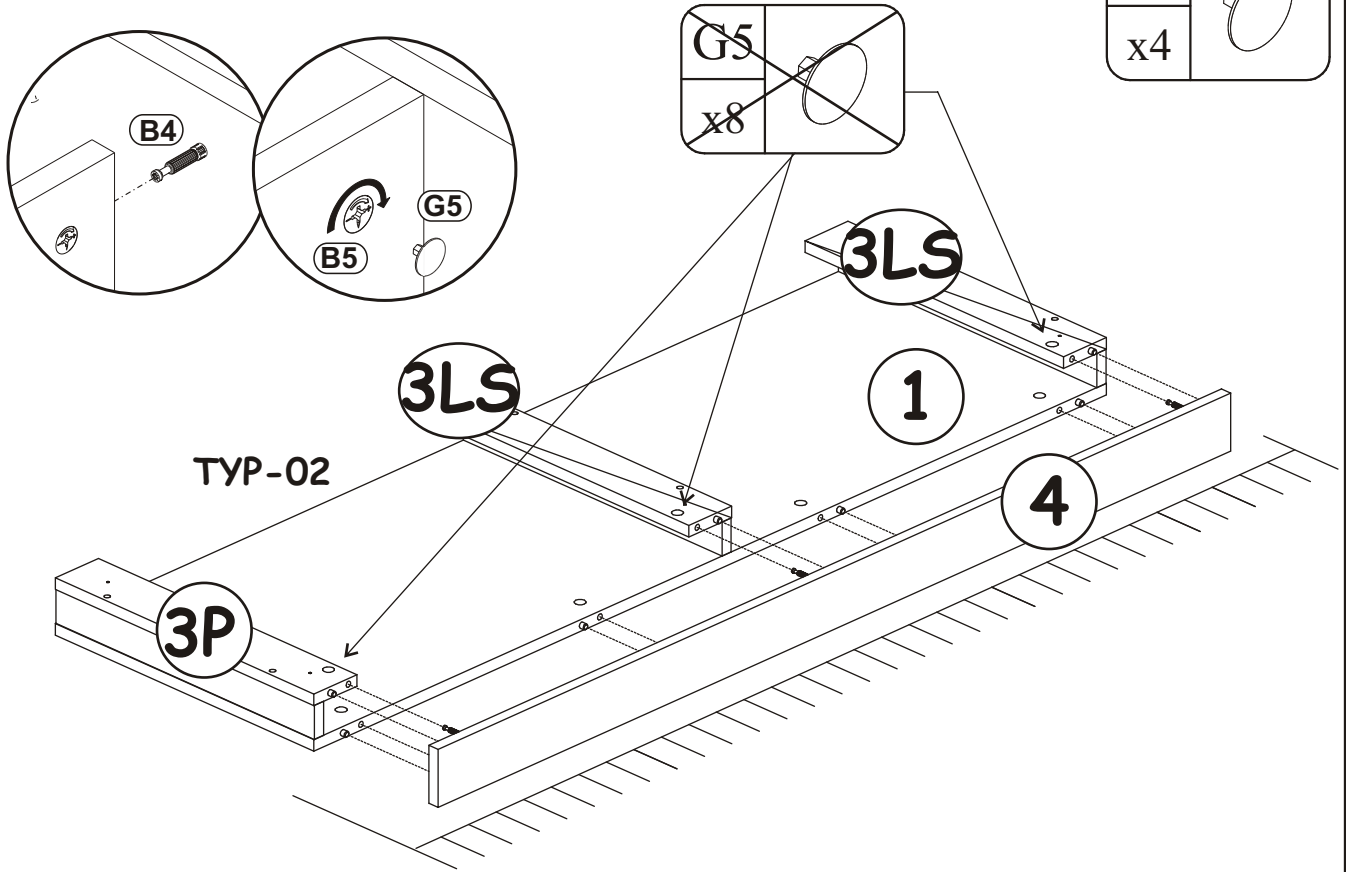
B11	
x6	Ø7x50

G4	
x6	





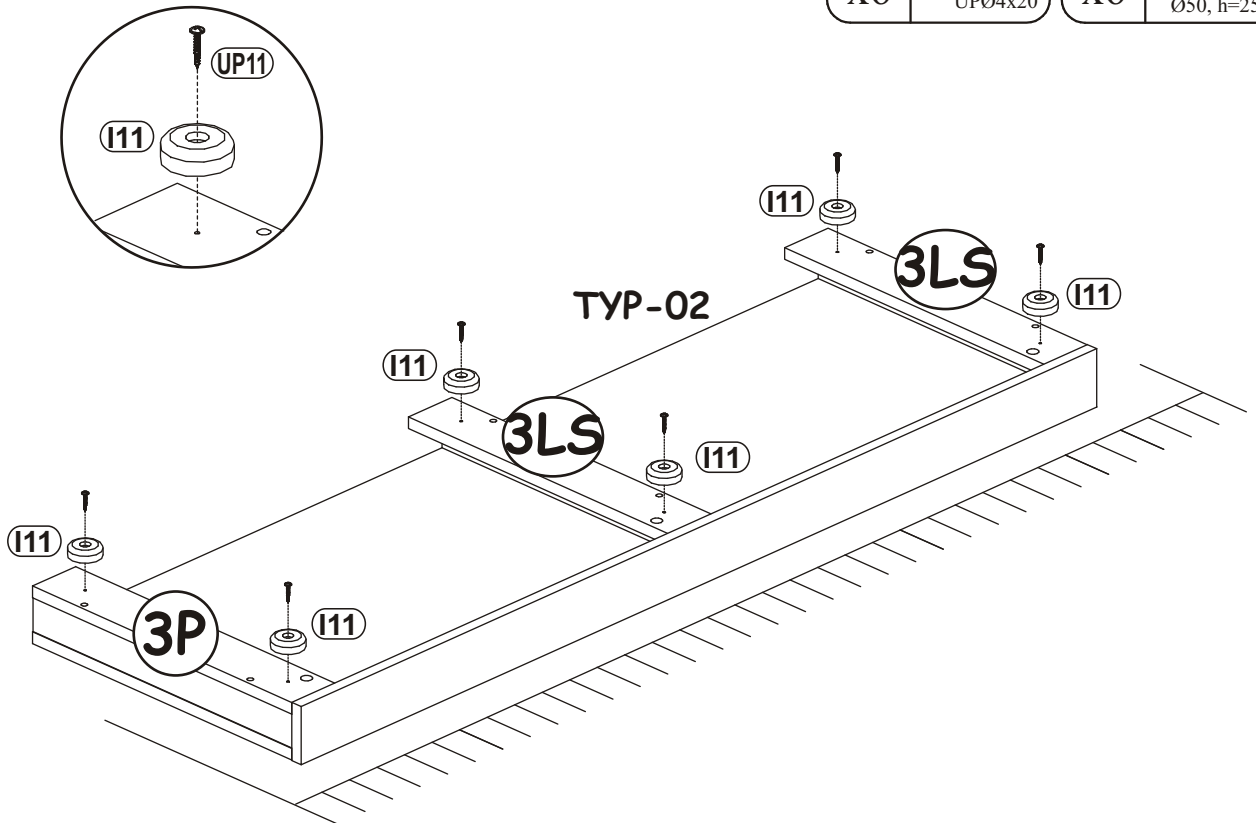
G5	
x4	

5

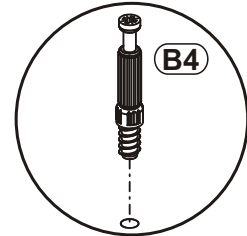
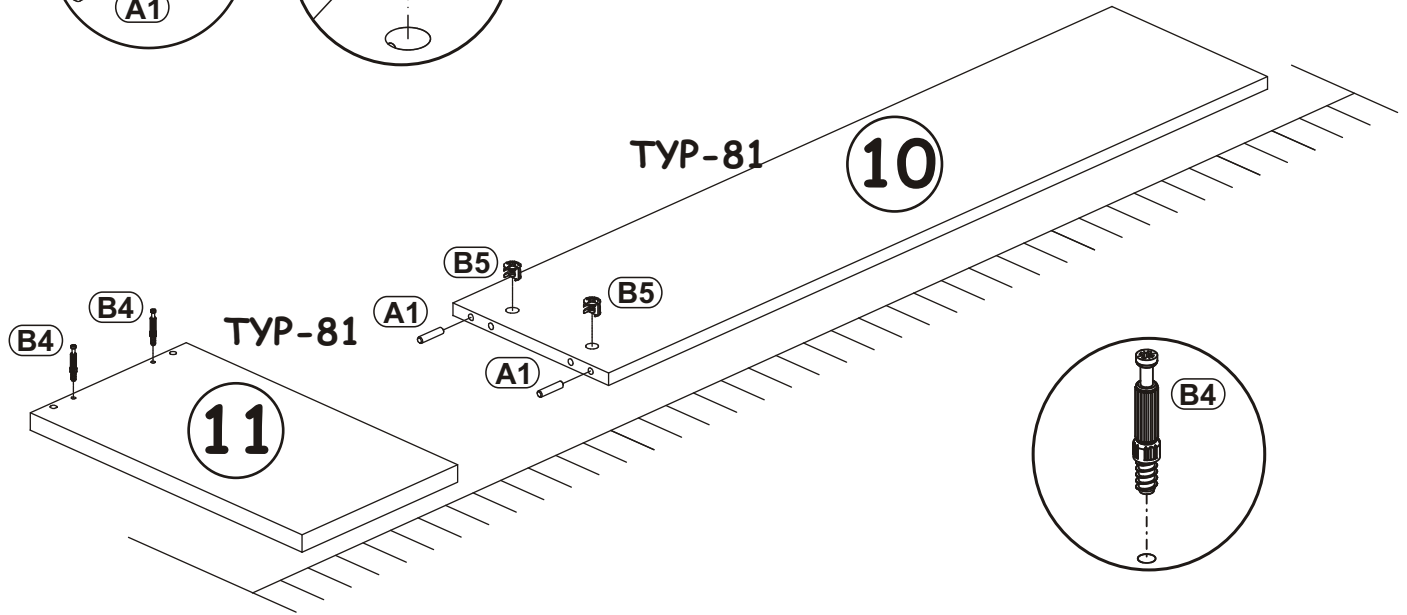
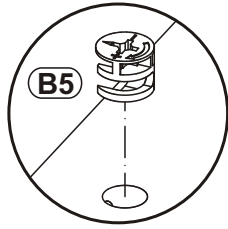
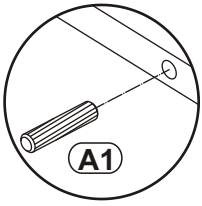
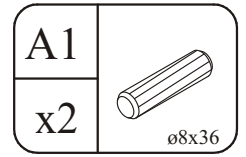
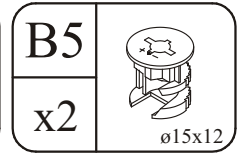
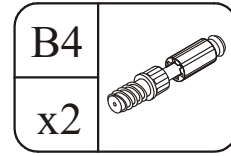


6

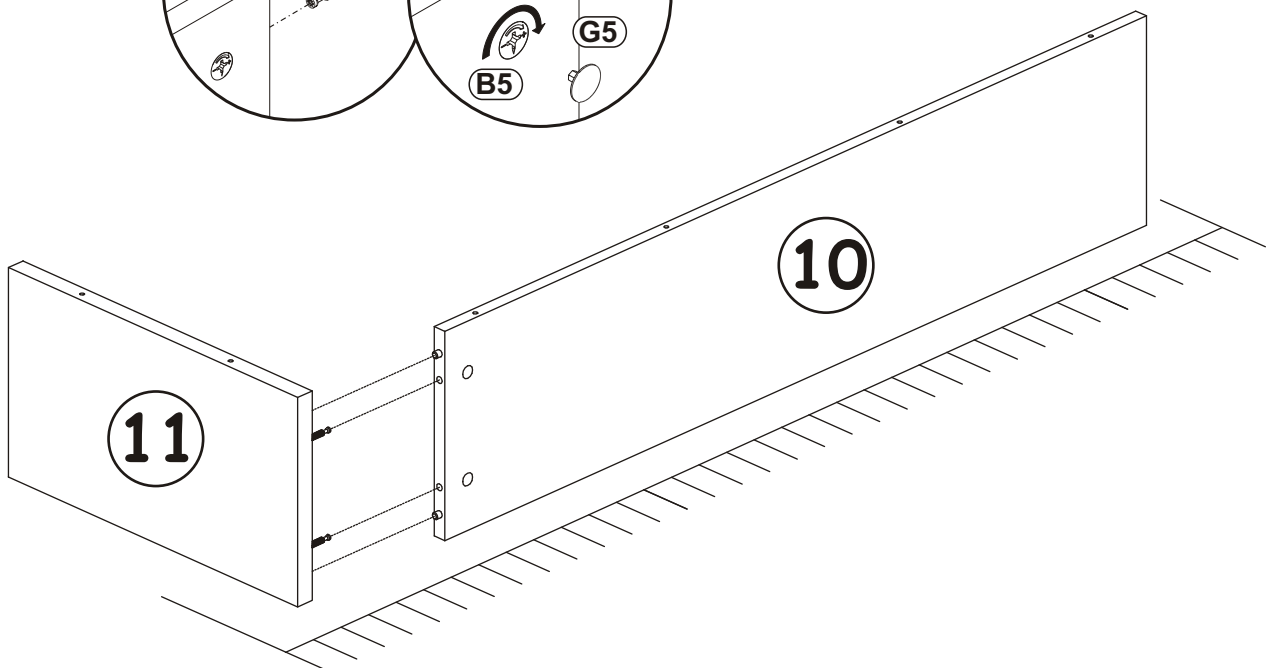
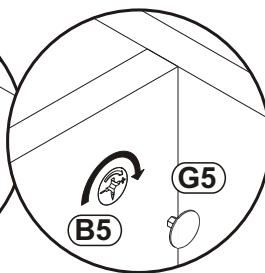
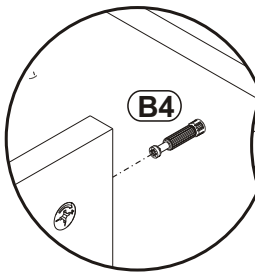
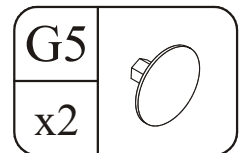
UP11		I11	
x6	UPØ4x20	x6	Ø50, h=25



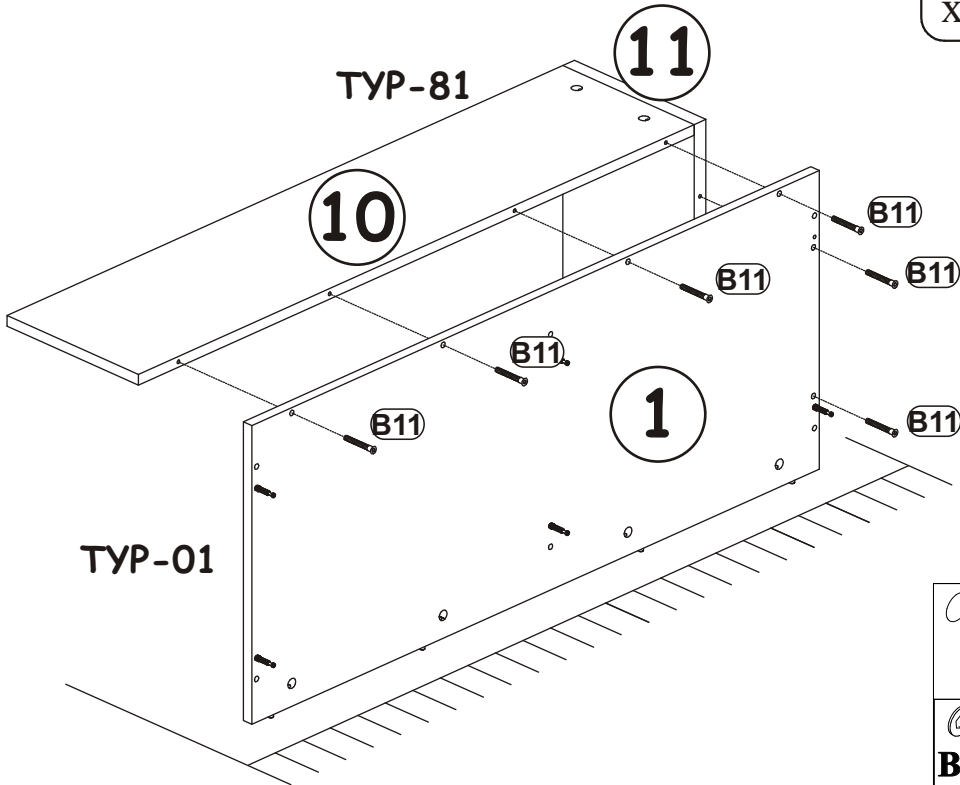
7





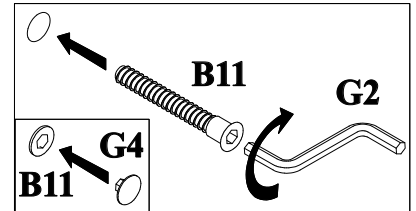
8



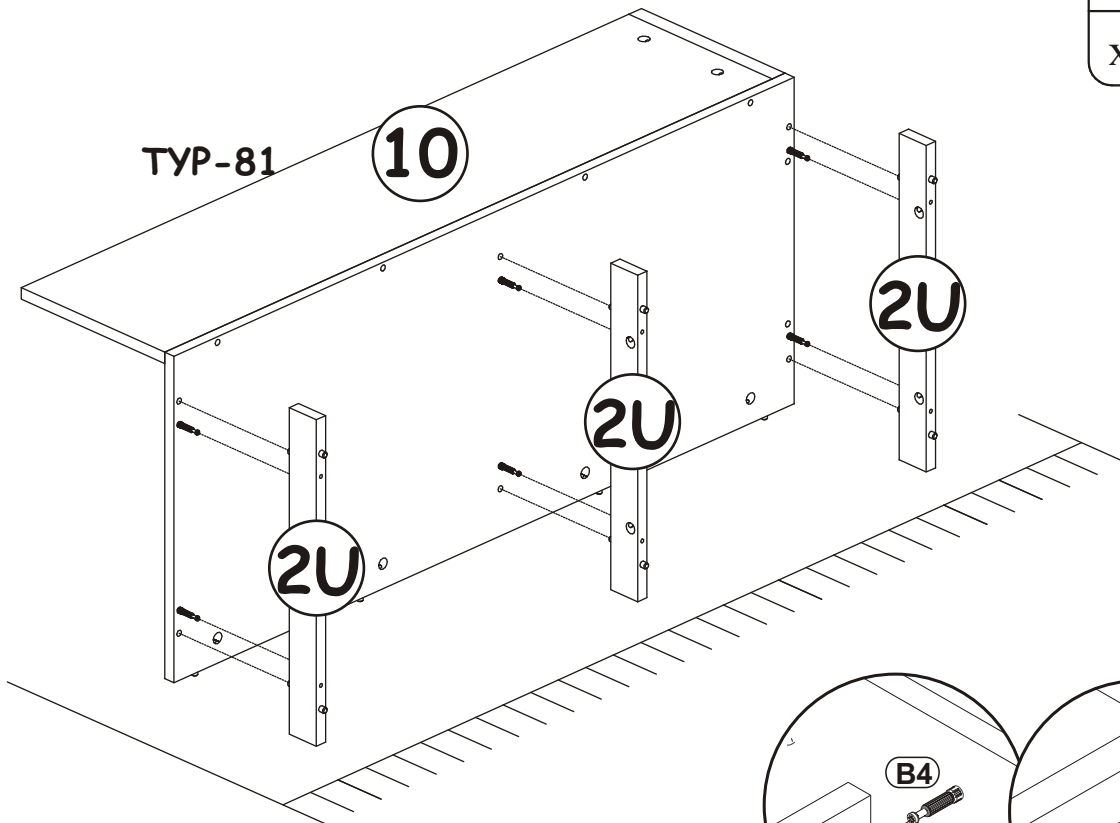
9




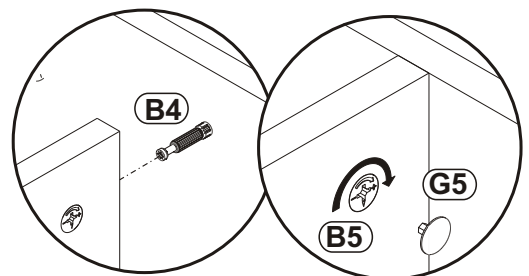
B11		G4	
x6	Ø7x50	x6	




10




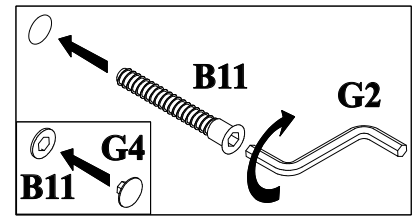
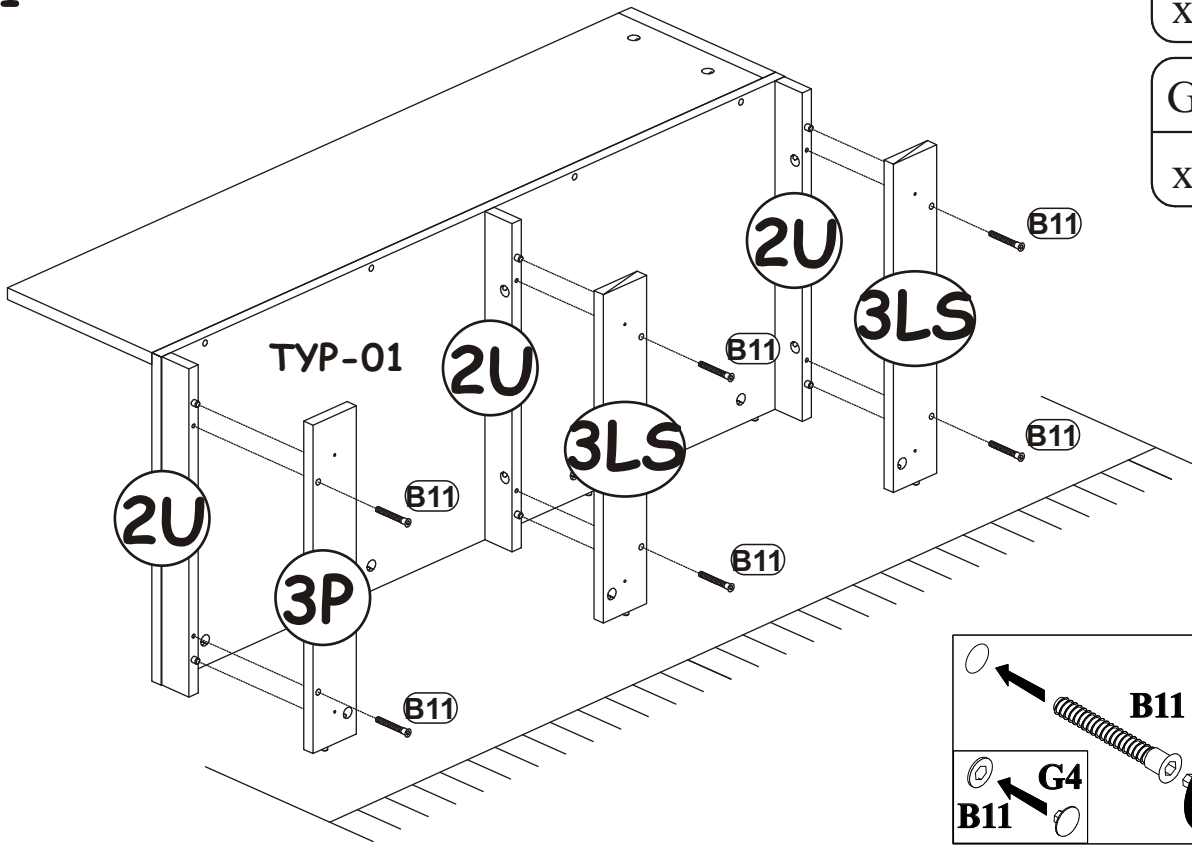
G5	
x6	




11

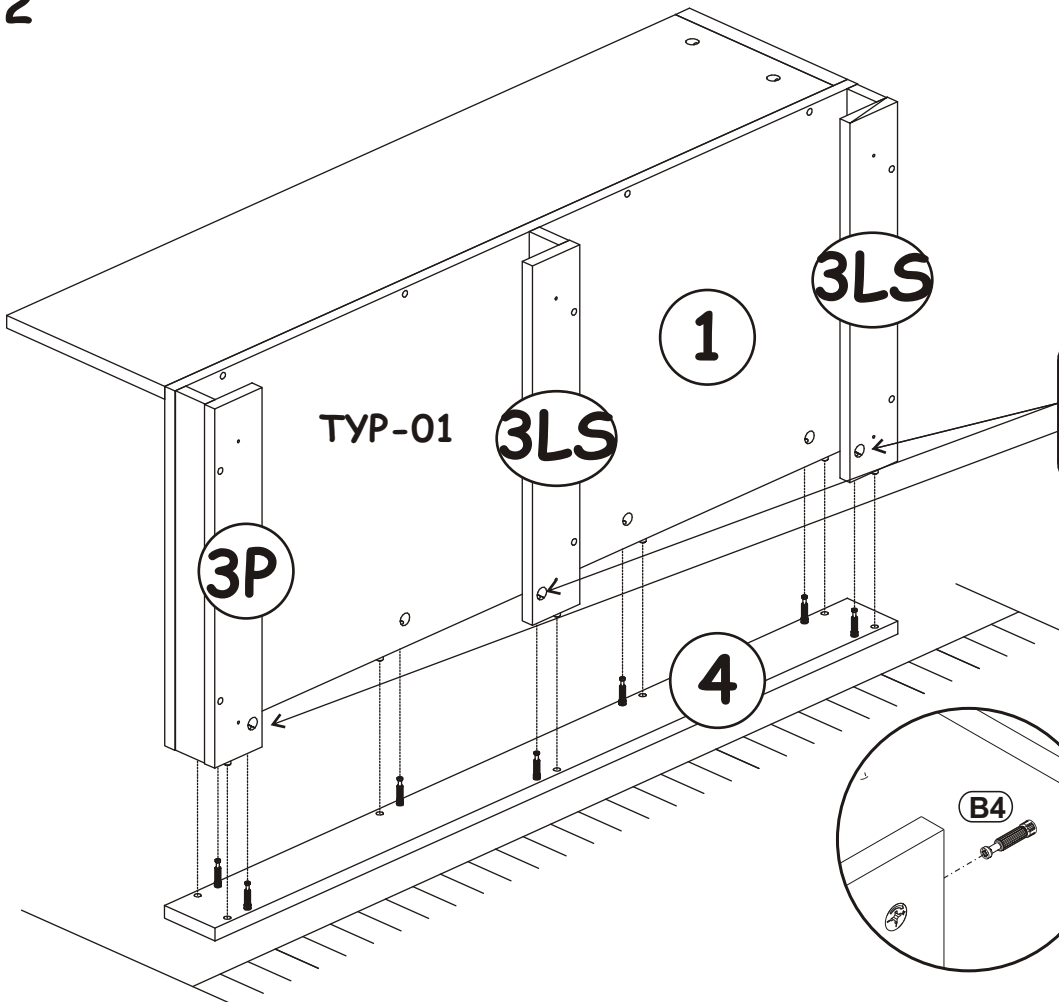
B11	
x6	Ø7x50


G4	
x6	

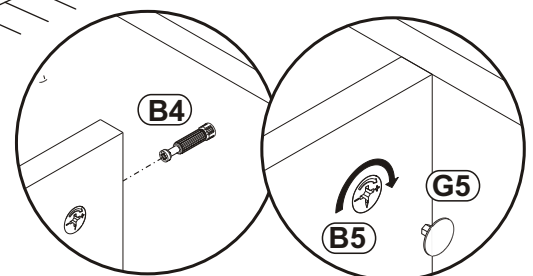


12



G5	
x4	

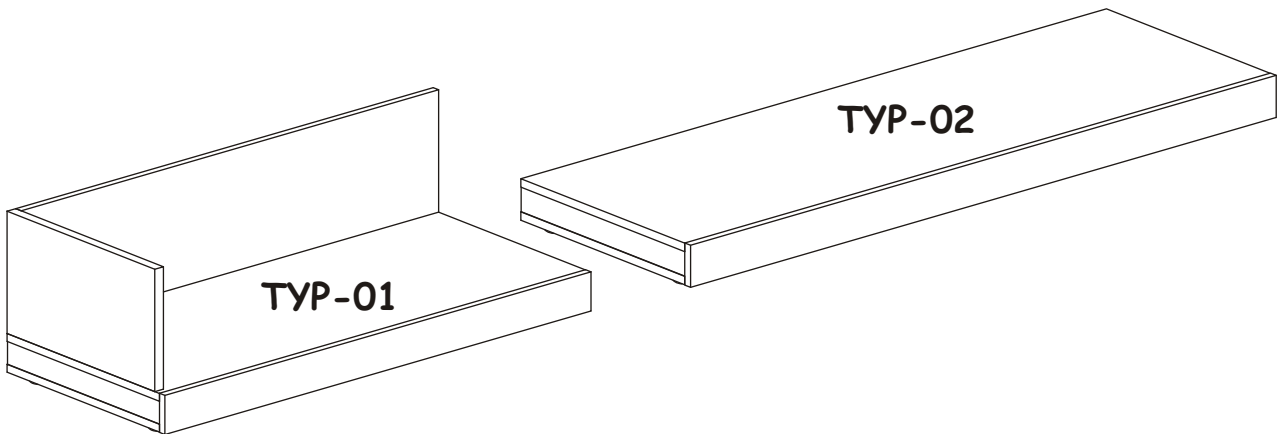
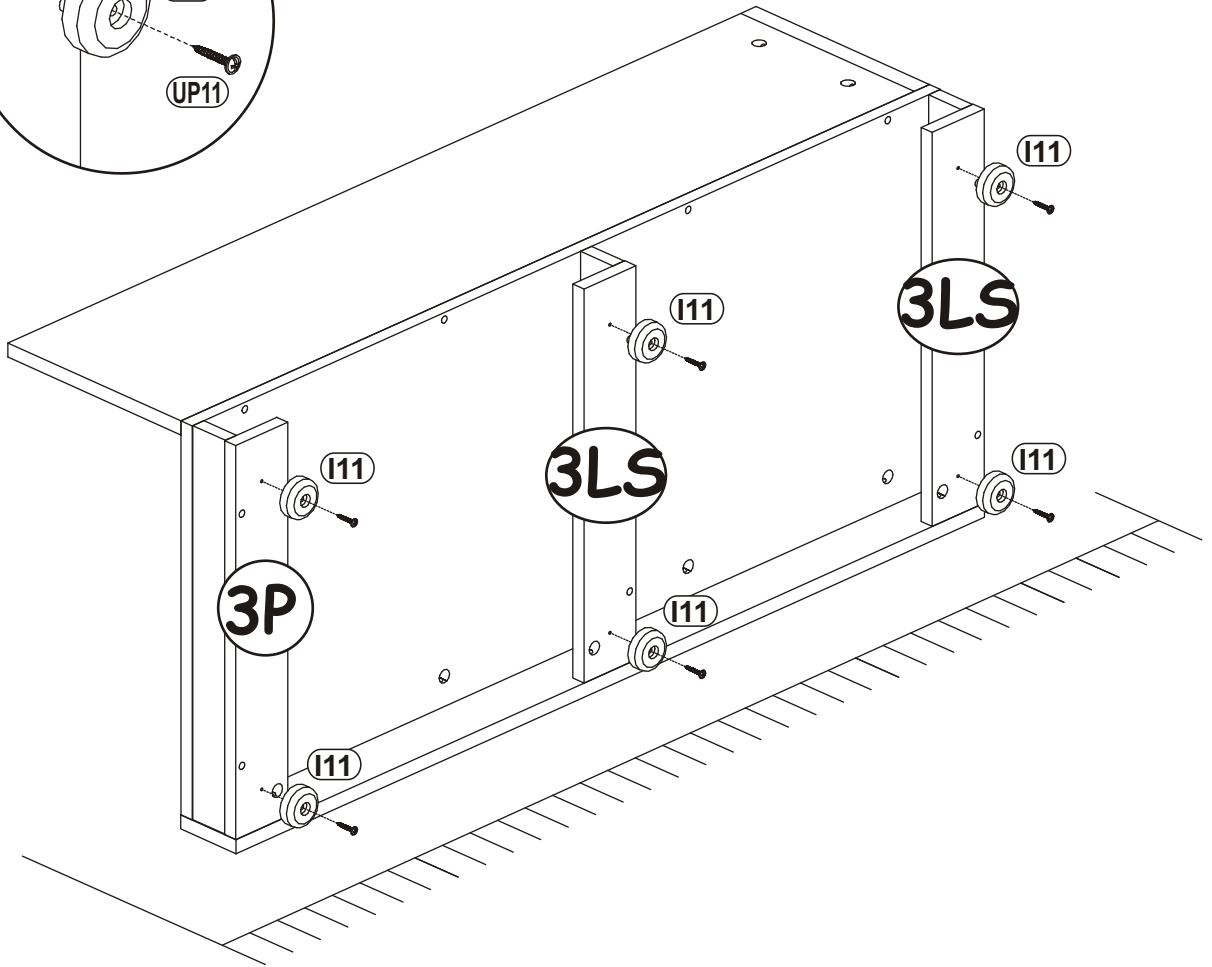
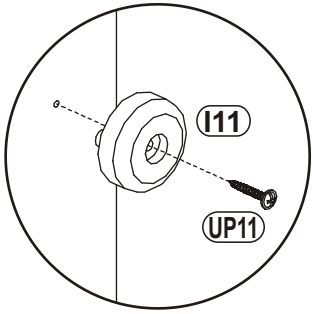


G5	
x8	

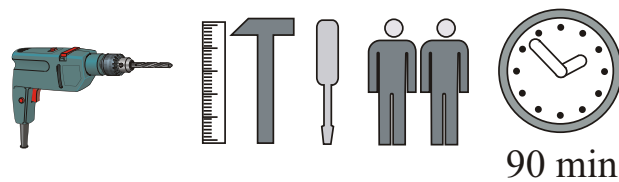
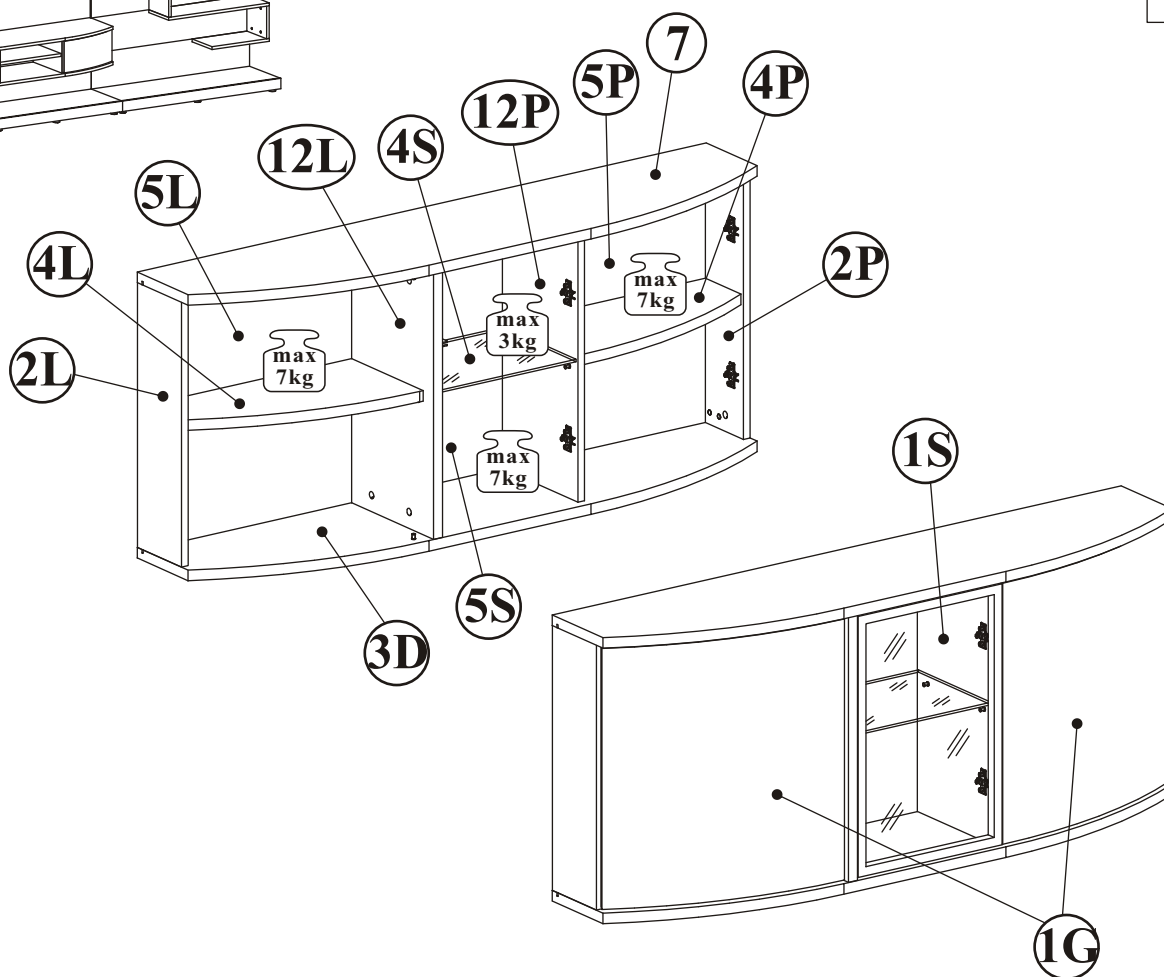
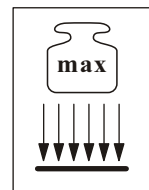
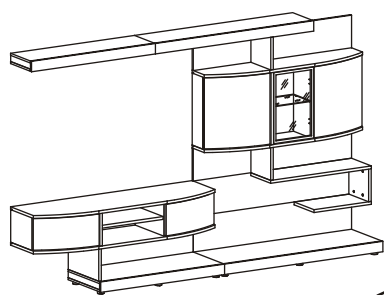


13

UP11		I11	
x6	UPØ4x20	x6	Ø50, h=25

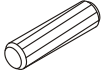
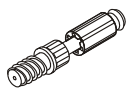



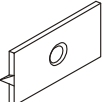
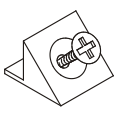
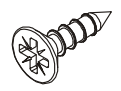
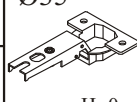
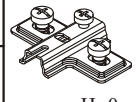
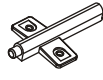

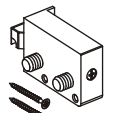
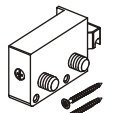
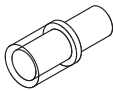
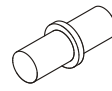

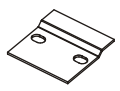
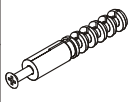
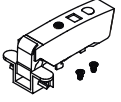
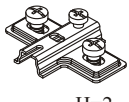
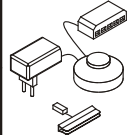


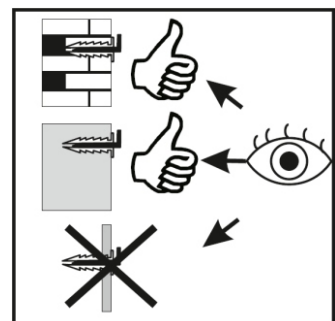
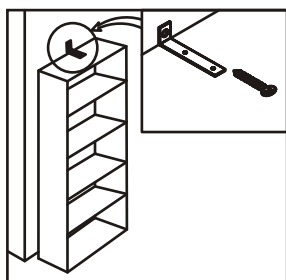
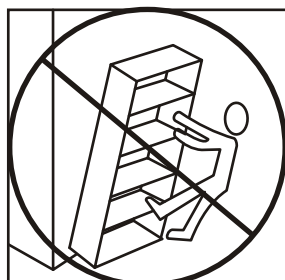
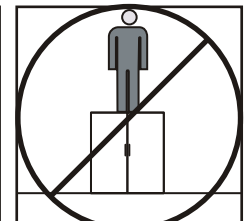
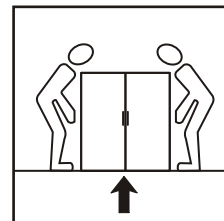
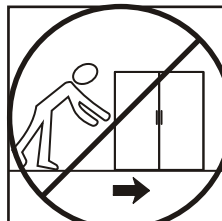
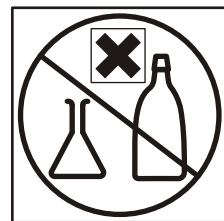
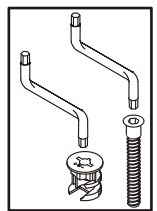
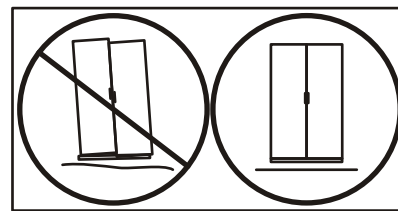
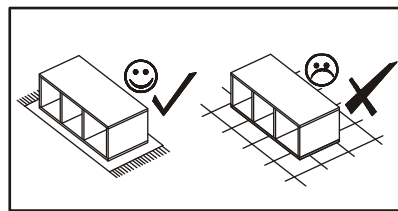
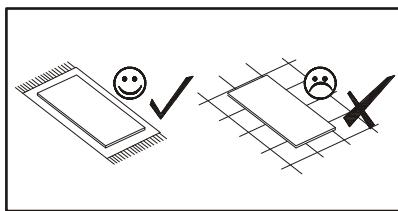
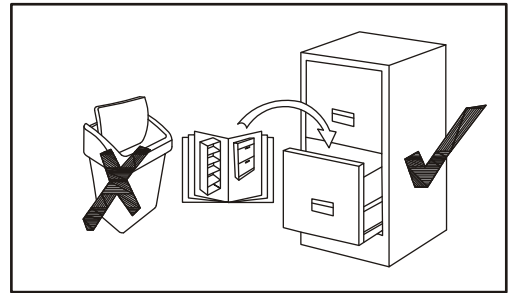
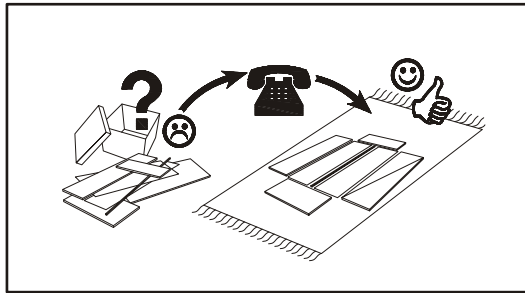
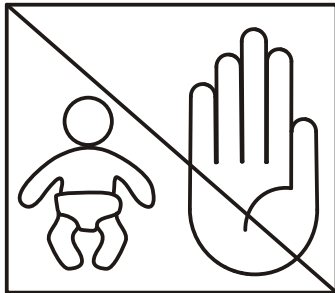
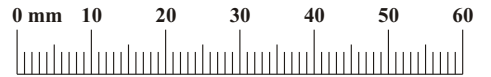
PALERMO 20 _PM TYP-20



NO	Dim.			Col-No	Qty
2L	552	150	16	2	1
2P	552	150	16	2	1
12L	552	279	22	2	1
12P	552	257	16	2	1
3D	1380	300	22	2	1
4S	345	247	6	2	1
4L	486	244	22	2	1
4P	476	244	22	2	1
7	1380	300	22	2	1
1G	544	504	18	3	2
1S	349	544	16	3	1
5L	564	501	3	3	1
5S	564	368	3	3	1
5P	564	490	3	3	1

PALERMO 20__PM TYP-20

A1 x16  ø8x36	B4 x12 	B5 x8  ø15x12	G5 x12 	UP13 x8  UPØ3x16	G16 x8 
S1 x16 	D10 x14  USØ3,5x13	E21 x4  Ø35 H=0	E2 x4  H=0	T3 x3 	G2 x1 
ZXL x2 	ZXP x2 	G20 x6 	G7 x8 	B16 x4  Ø15x16	SZ7 x4 
KR1 x8 	E30 x2  H=8	E4 x2  H=2	LED x1 		



PALERMO 20__PM TYP-20

1

E4	
x2	H=2

B5	
x4	ø15x12

A1	
x8	ø8x36

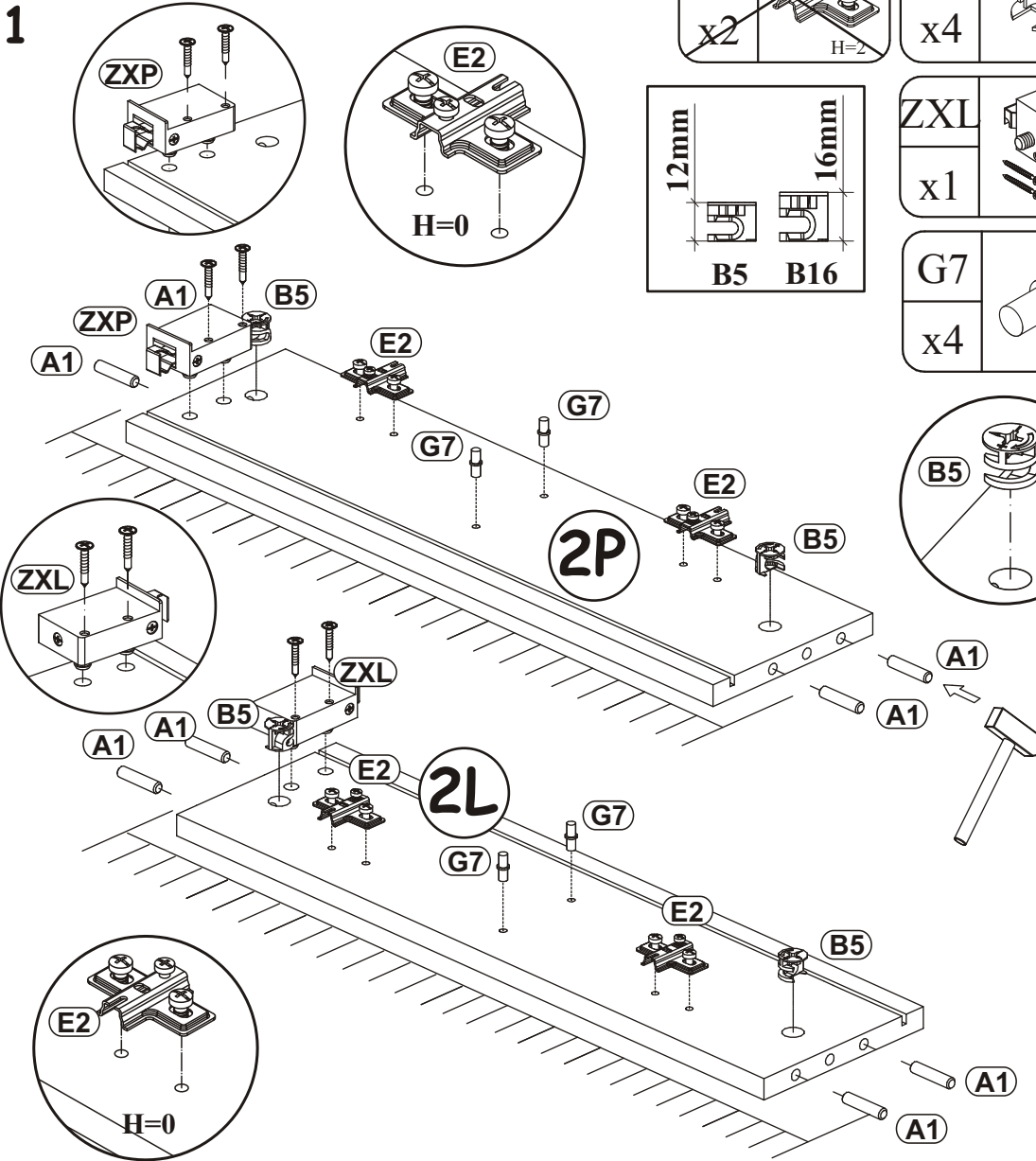
12mm	16mm
B5	B16

ZXL	
x1	

ZXP	
x1	

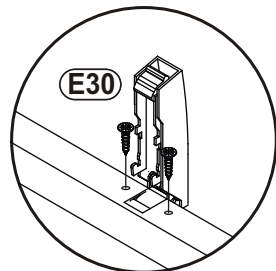
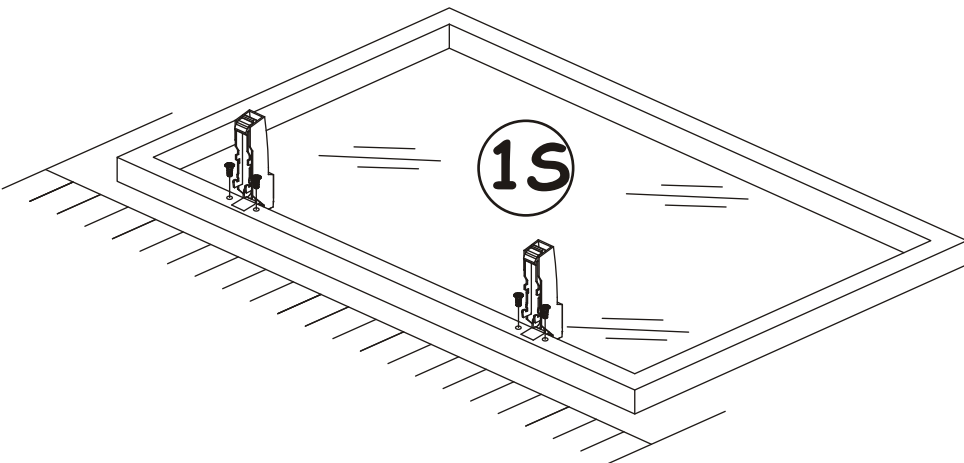
G7	
x4	

E2	
x4	H=0



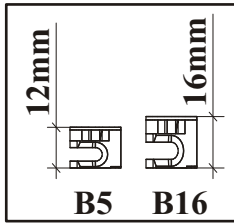
2

E30	
x2	H=8



PALERMO 20__PM TYP-20

3



E4	
x2	H=2

B5	
x4	ø15x12

A1	
x8	ø8x36

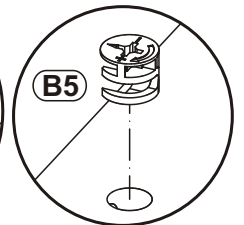
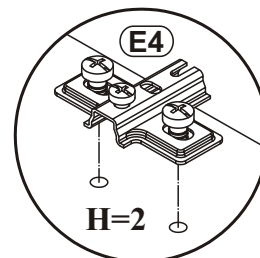
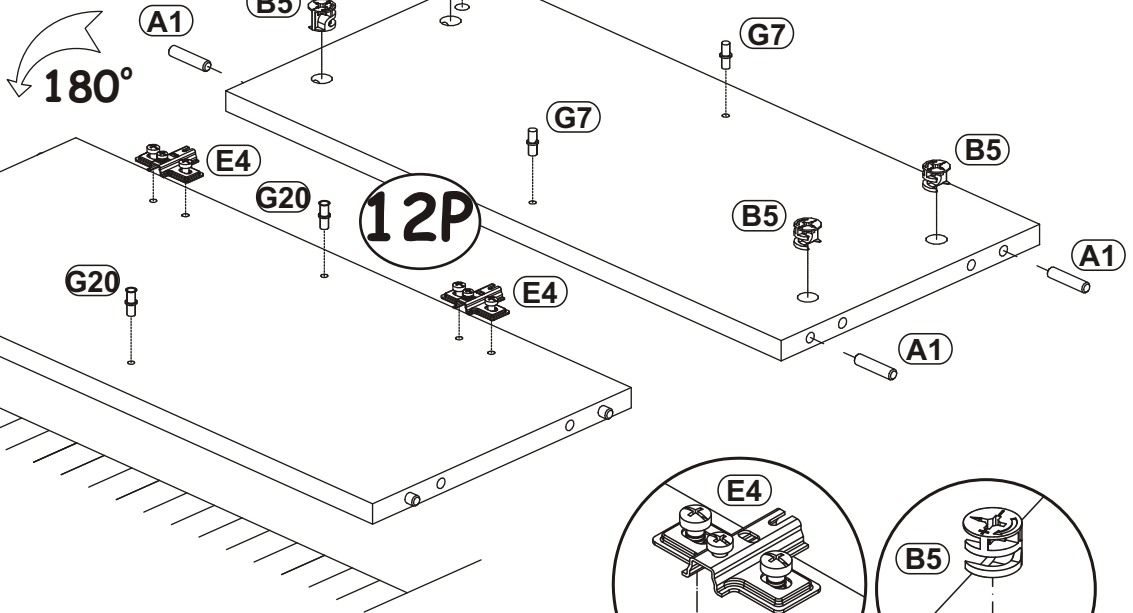
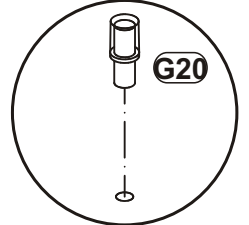
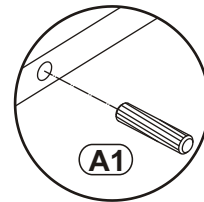
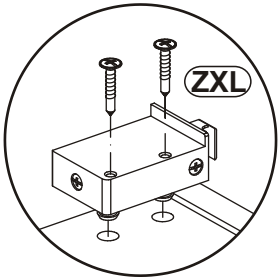
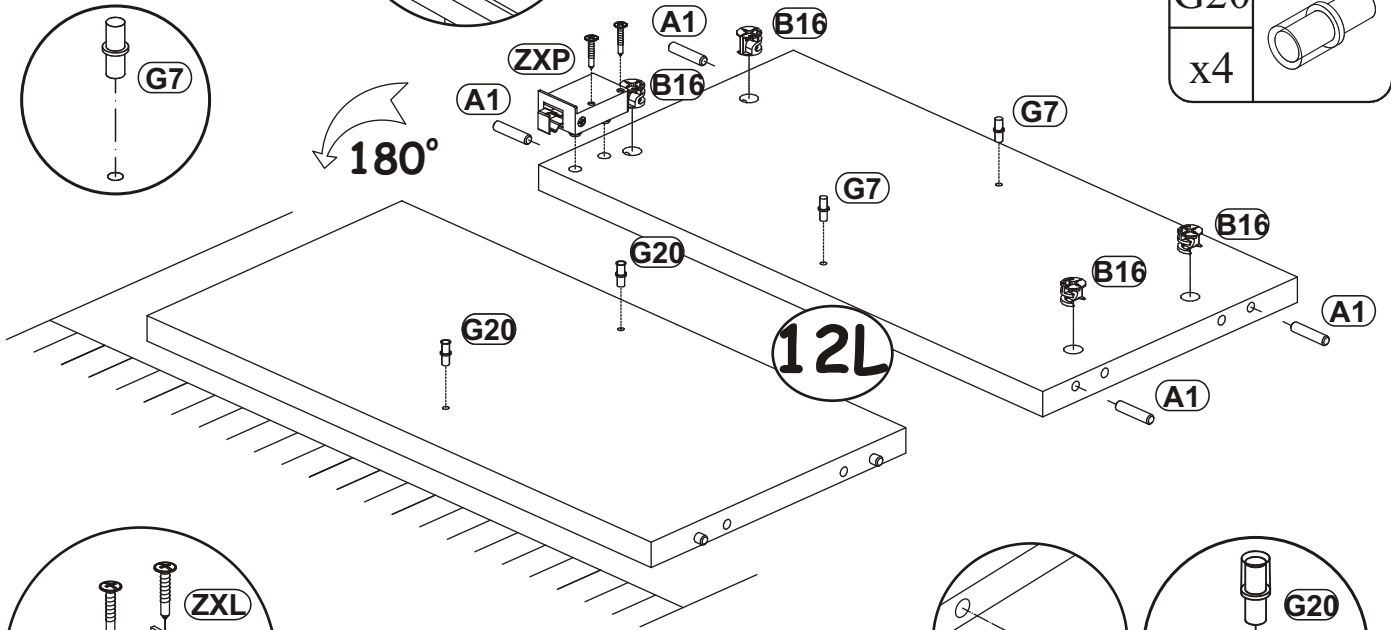
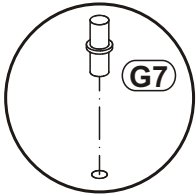
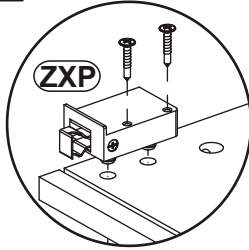
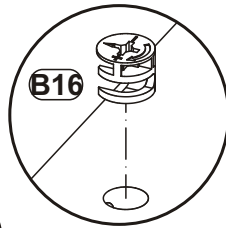
ZXL	
x1	

ZXP	
x1	

G7	
x4	

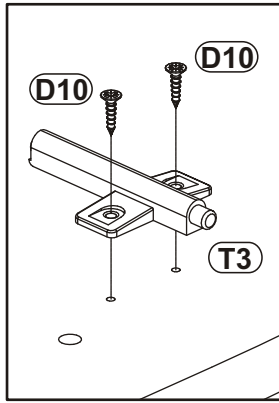
B16	
x4	Ø15x16

G20	
x4	



PALERMO 20__PM TYP-20

4

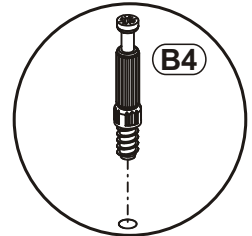
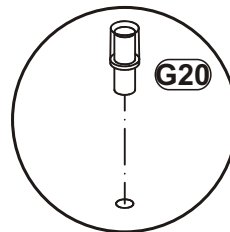
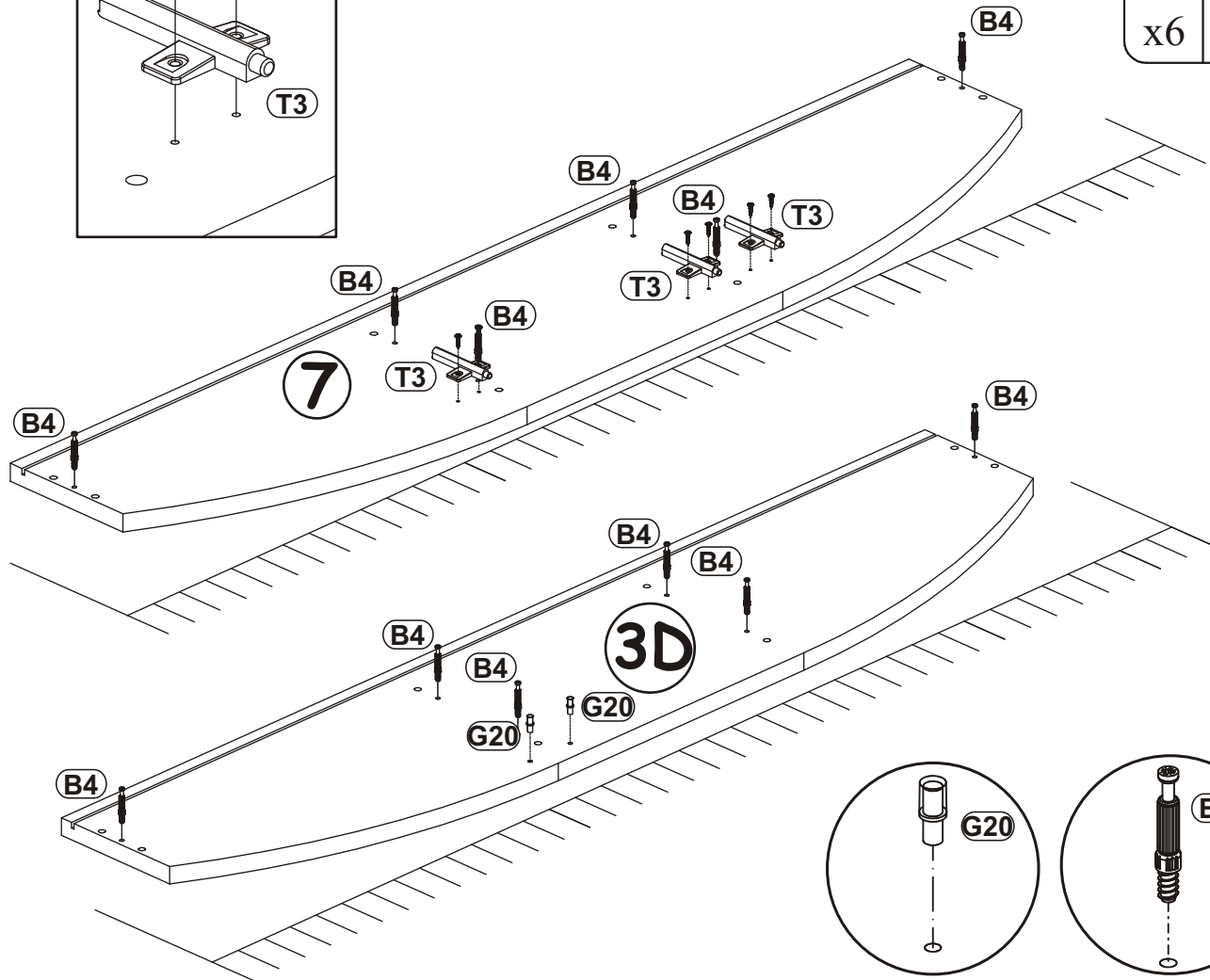


T3	
x3	

G20	
x2	

B4	
x12	

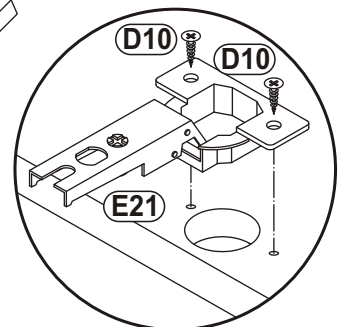
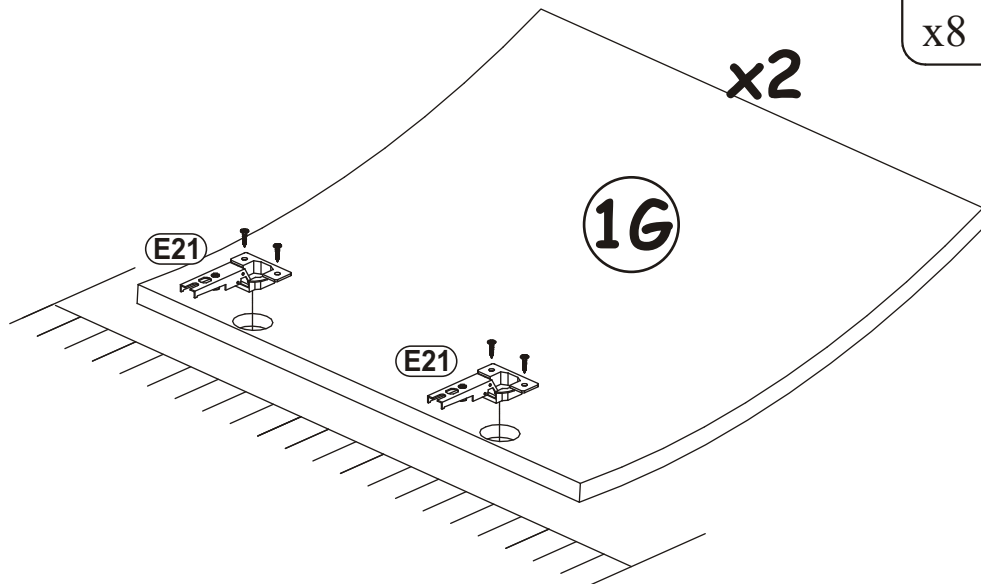
D10	
x6	USØ3,5x13

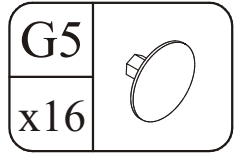


5

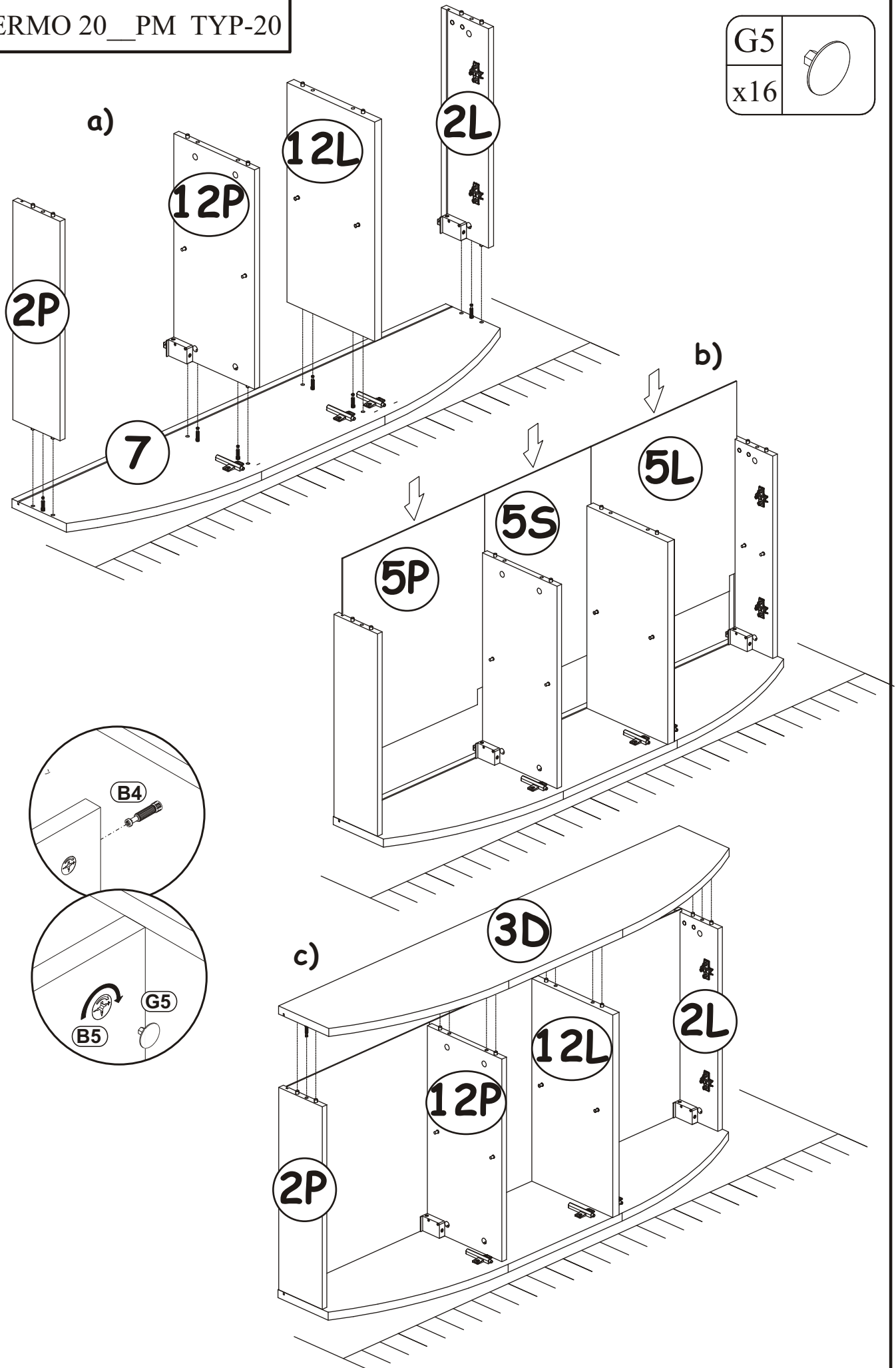
D10	
x8	USØ3,5x13

E21	
x4	Ø35 H=0



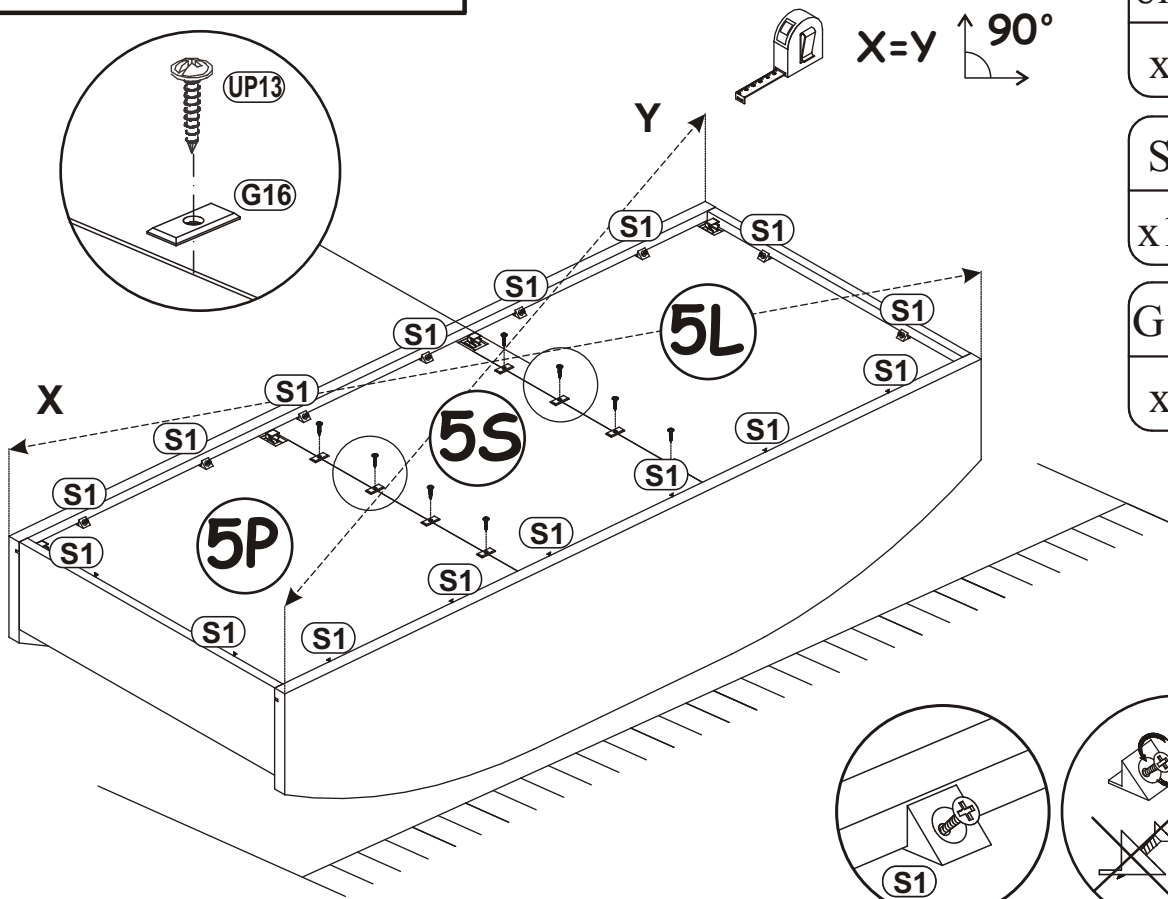
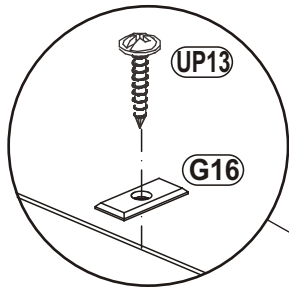


6



PALERMO 20__PM TYP-20

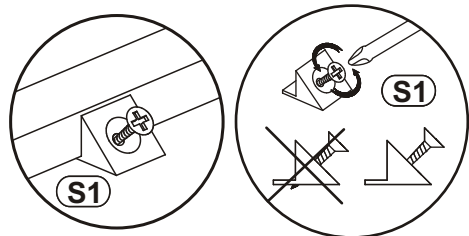
7



UP13	
x8	UPØ3x16

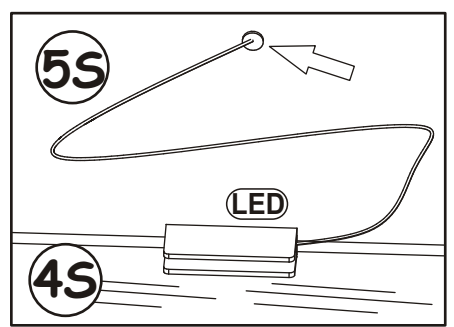
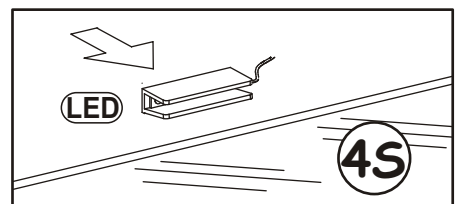
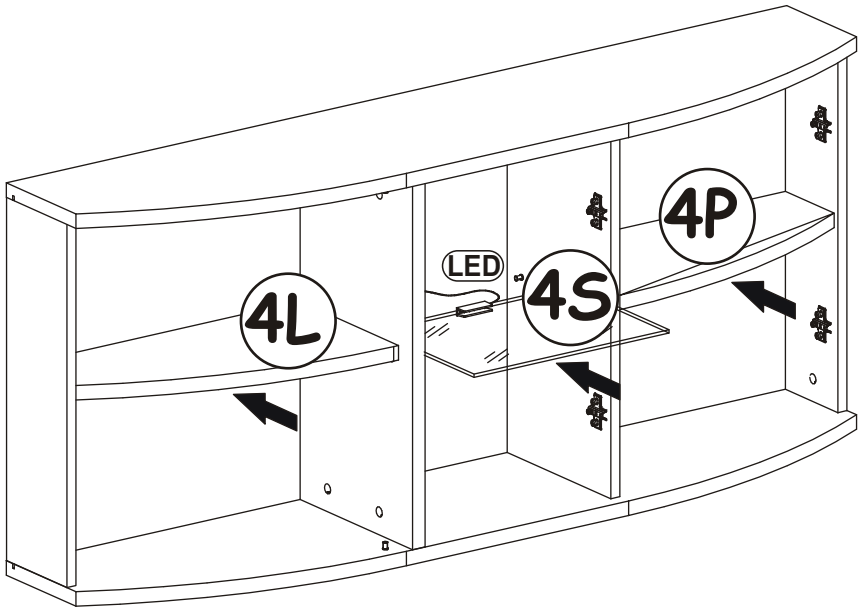
S1	
x16	

G16	
x8	

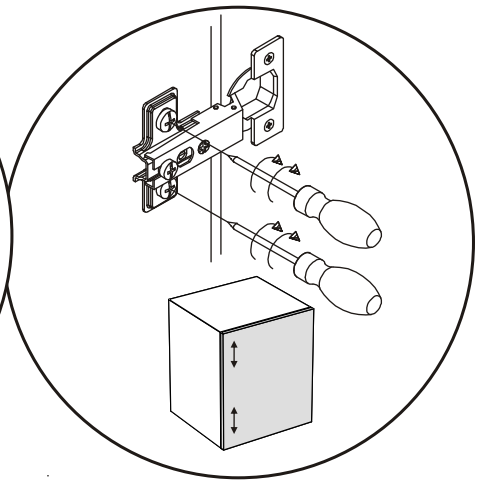
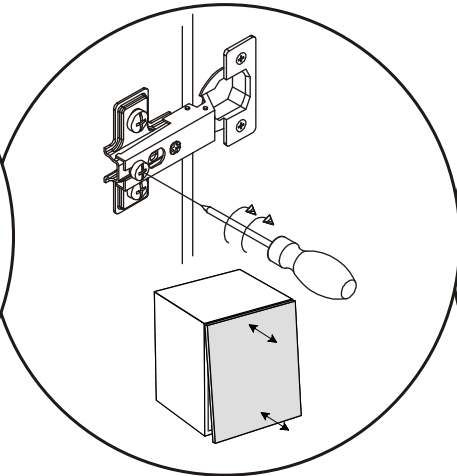
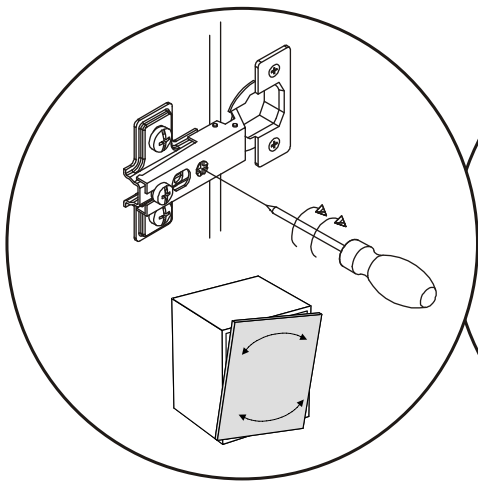
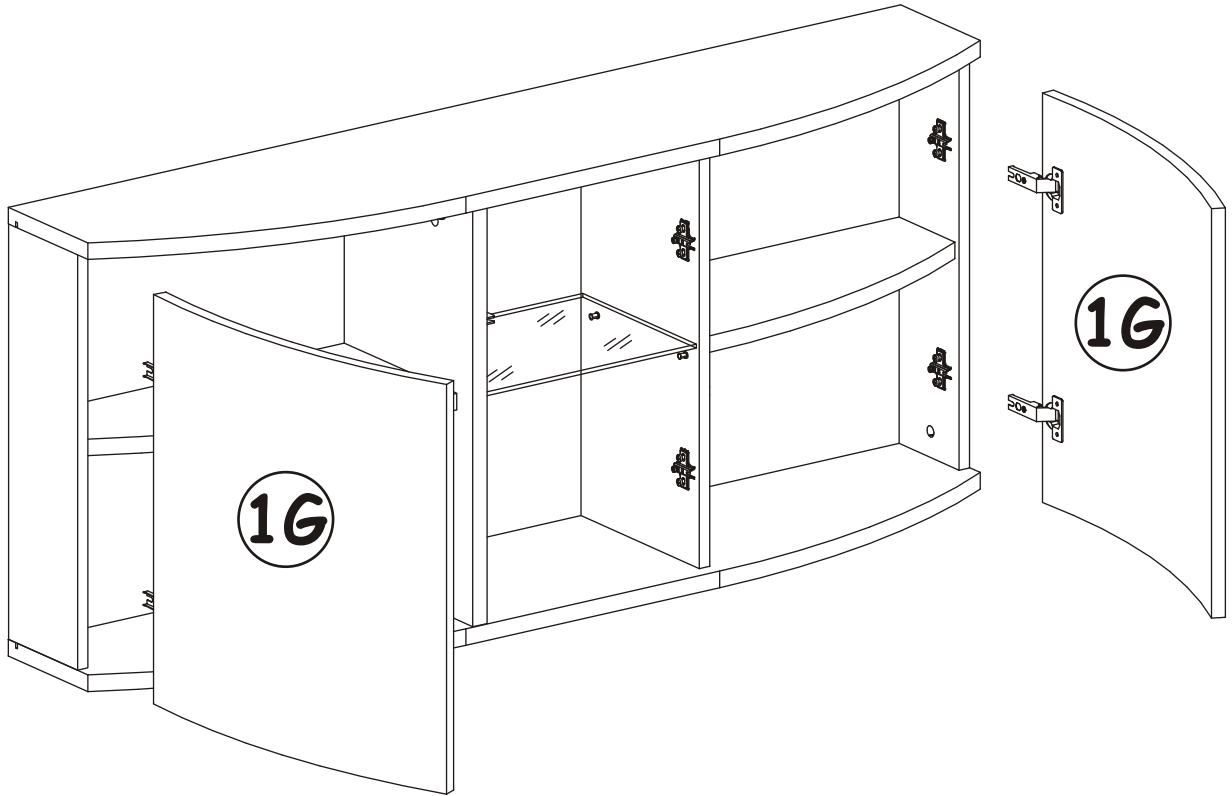


8

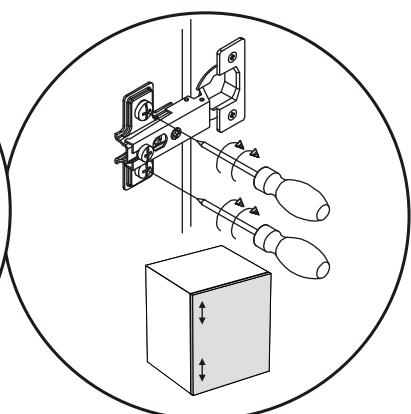
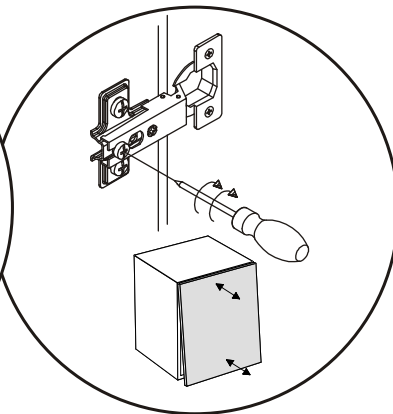
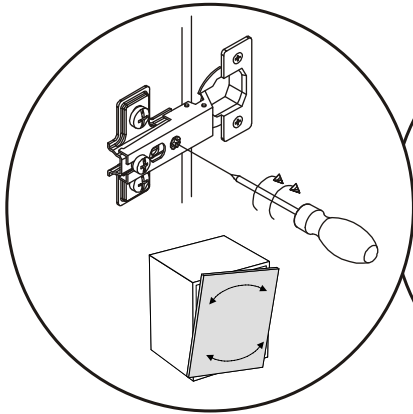
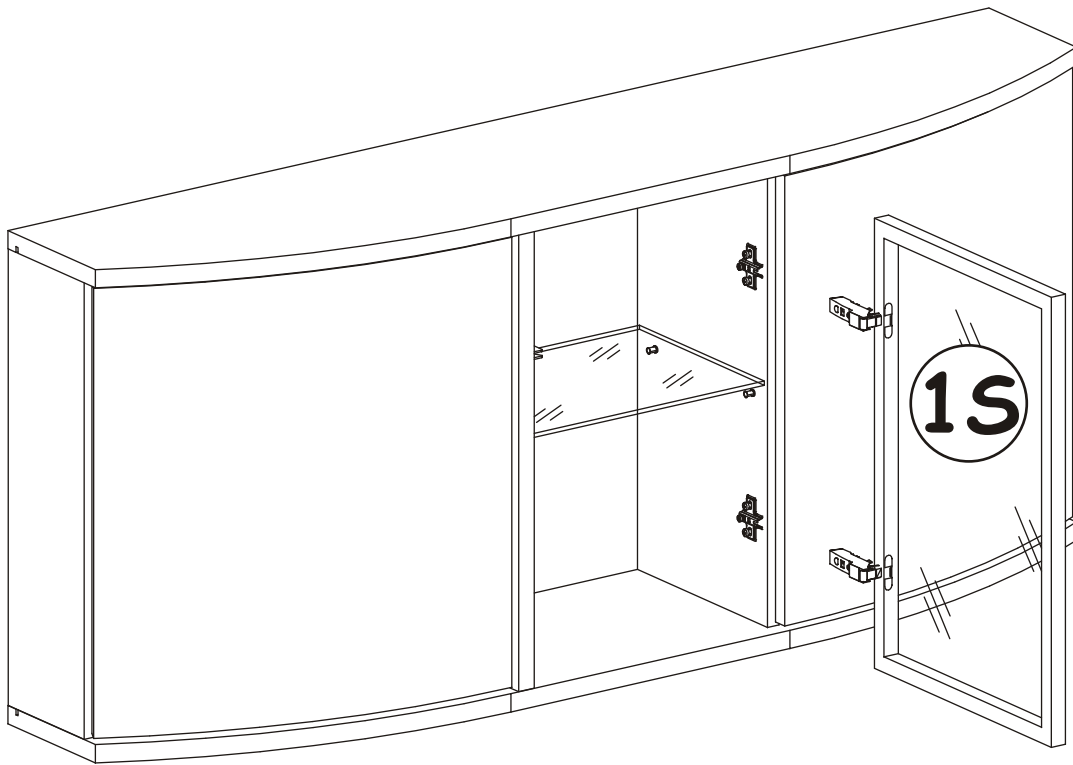
LED	
x1	



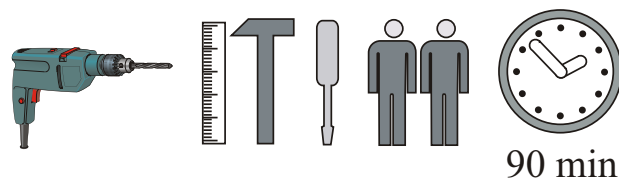
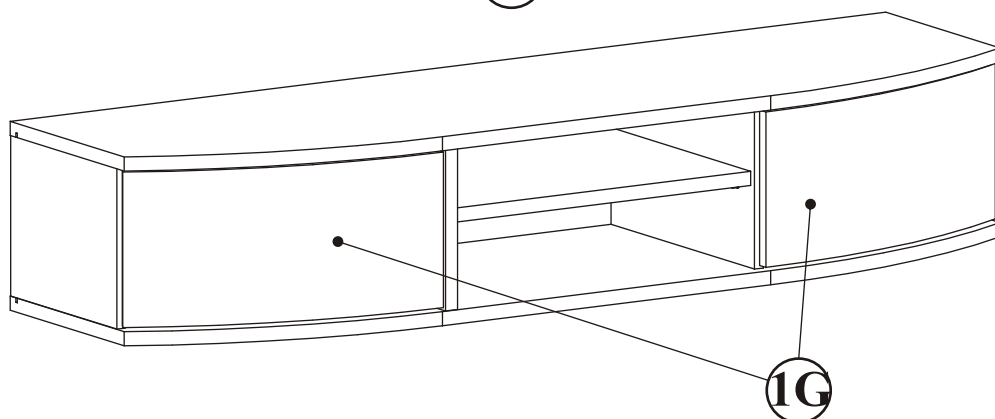
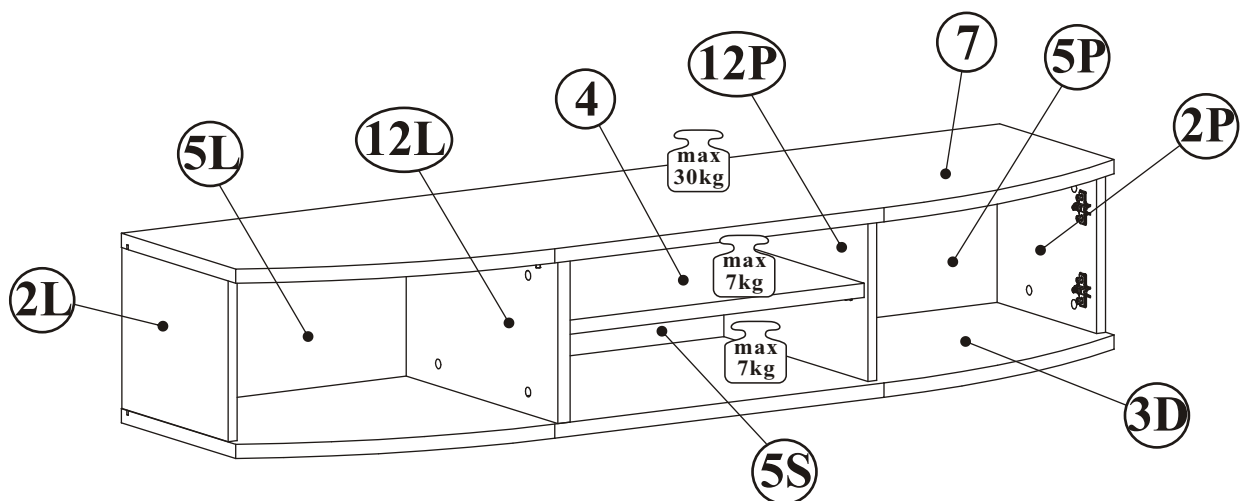
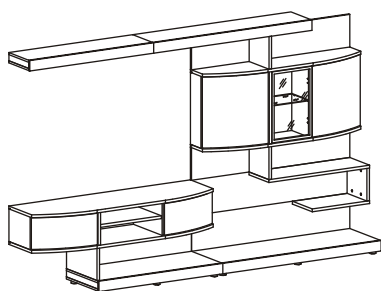
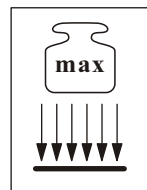
9



10



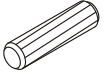
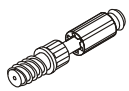



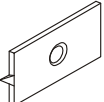
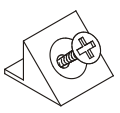

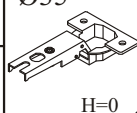
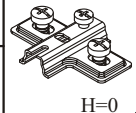
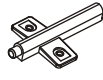

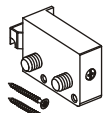
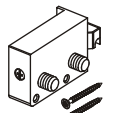
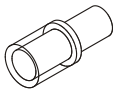
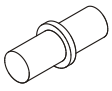

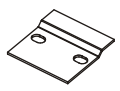
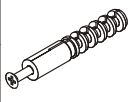
PALERMO 20_PM TYP-30

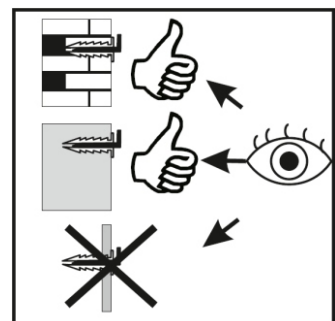
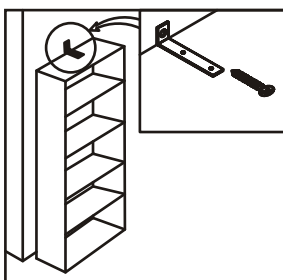
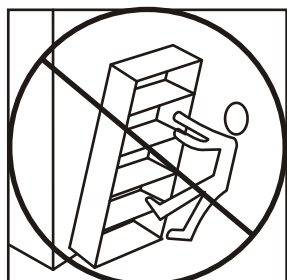
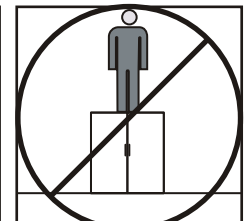
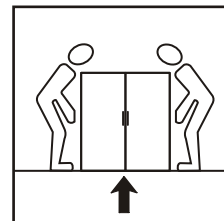
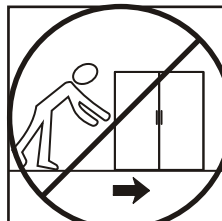
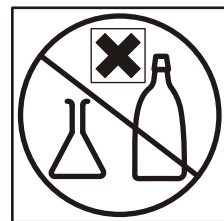
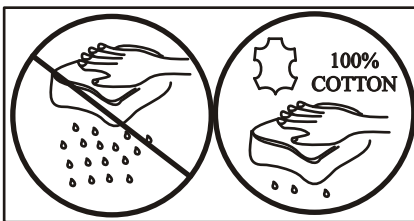
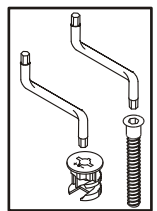
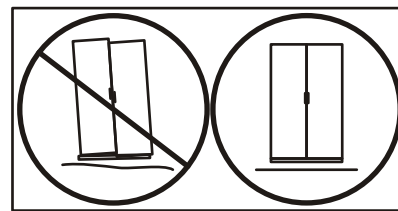
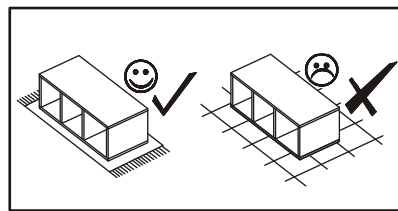
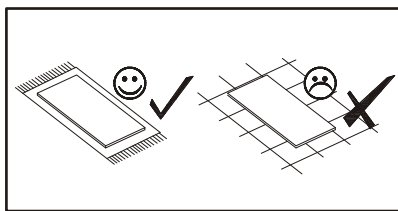
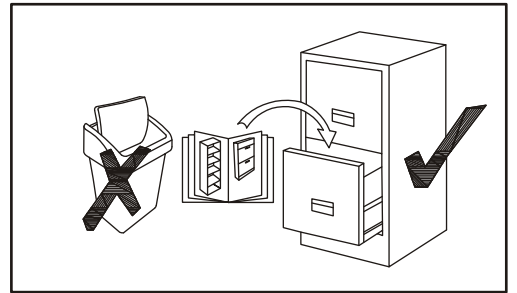
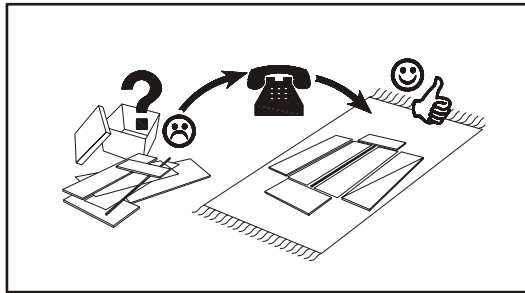
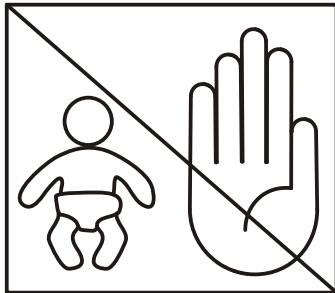
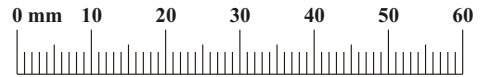


90 min

NO	Dim.			Col-No	Qty
2L	250	303	16	1	1
2P	250	303	16	1	1
12L	250	432	22	1	1
12P	250	410	16	1	1
3D	1580	453	22	1	1
4	549	400	22	1	1
7	1580	453	22	1	1
5L	262	496	3	3	1
5S	262	573	3	3	1
5P	262	490	3	3	1
1G	242	504	18	3	2

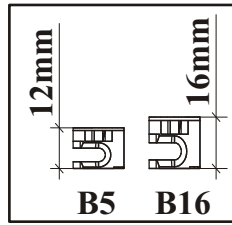
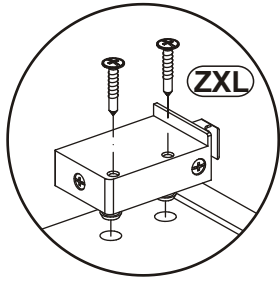
PALERMO 20__PM TYP-30

A1 x16  ø8x36	B4 x16 	B5 x12  ø15x12	G5 x16 	UP13 x4  UPØ3x16	G16 x4 
S1 x14 	D10 x12  USØ3,5x13	E21 x4  Ø35 H=0	E2 x4  H=0	T3 x2 	G2 x1 
ZXL x2 	ZXP x2 	G20 x1 	G7 x4 	B16 x4  Ø15x16	SZ7 x4 
KR1 x8 					



PALERMO 20__PM TYP-30

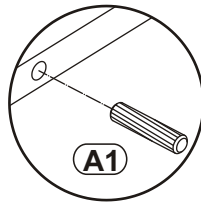
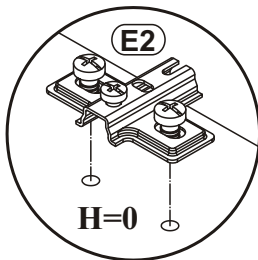
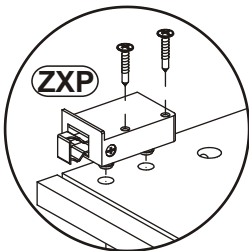
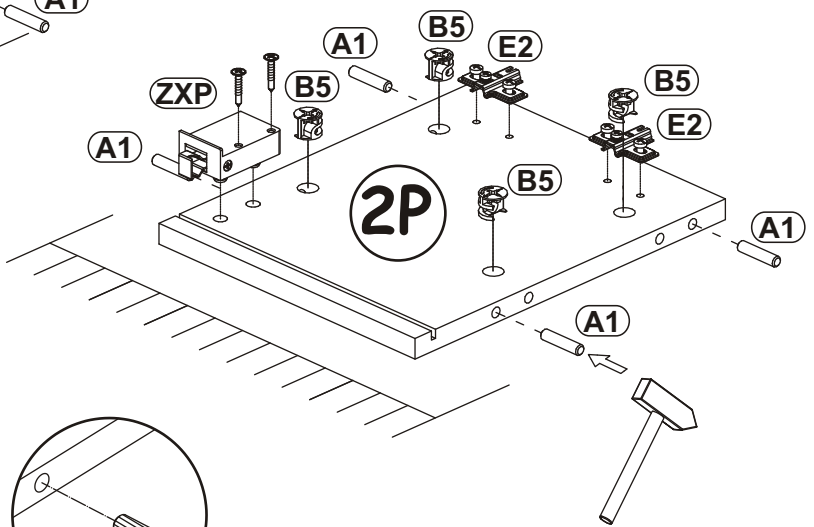
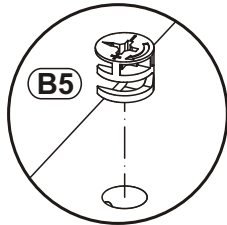
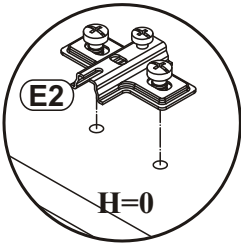
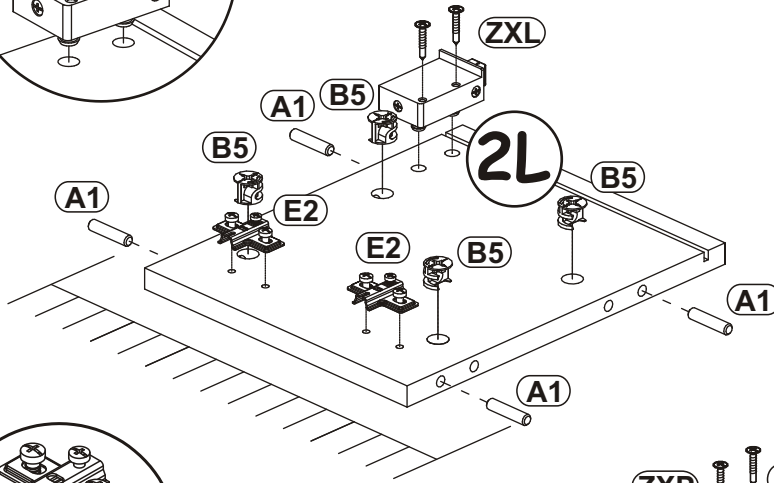
1



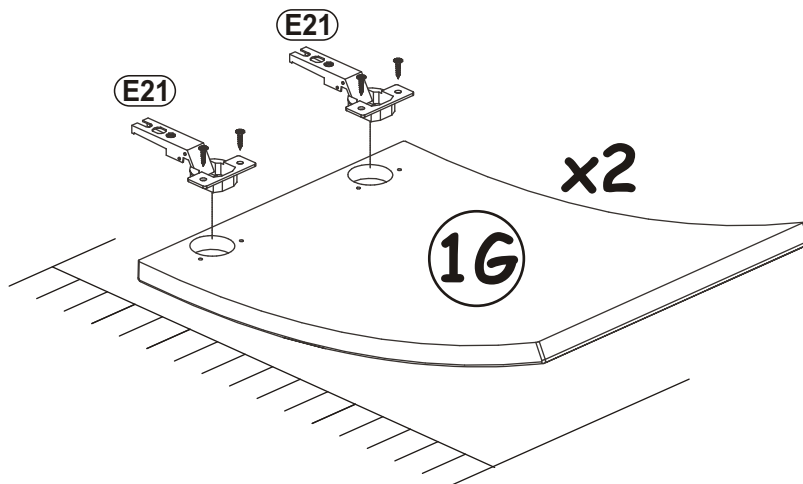
B5		A1	
x8	ø15x12	x8	ø8x36

ZXL		ZXP	
x1		x1	

E2	
x4	H=0

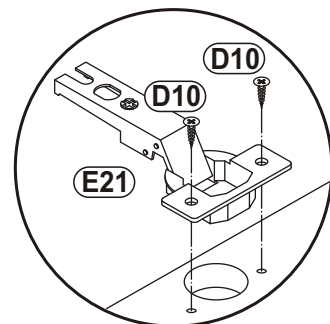


2

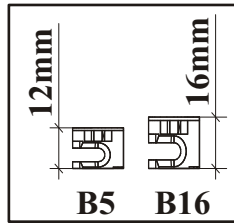



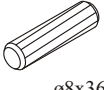
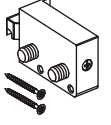
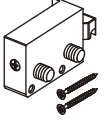
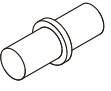

D10	
x8	USØ3,5x13

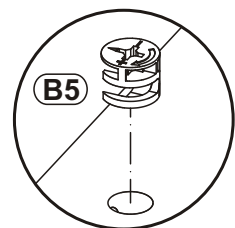
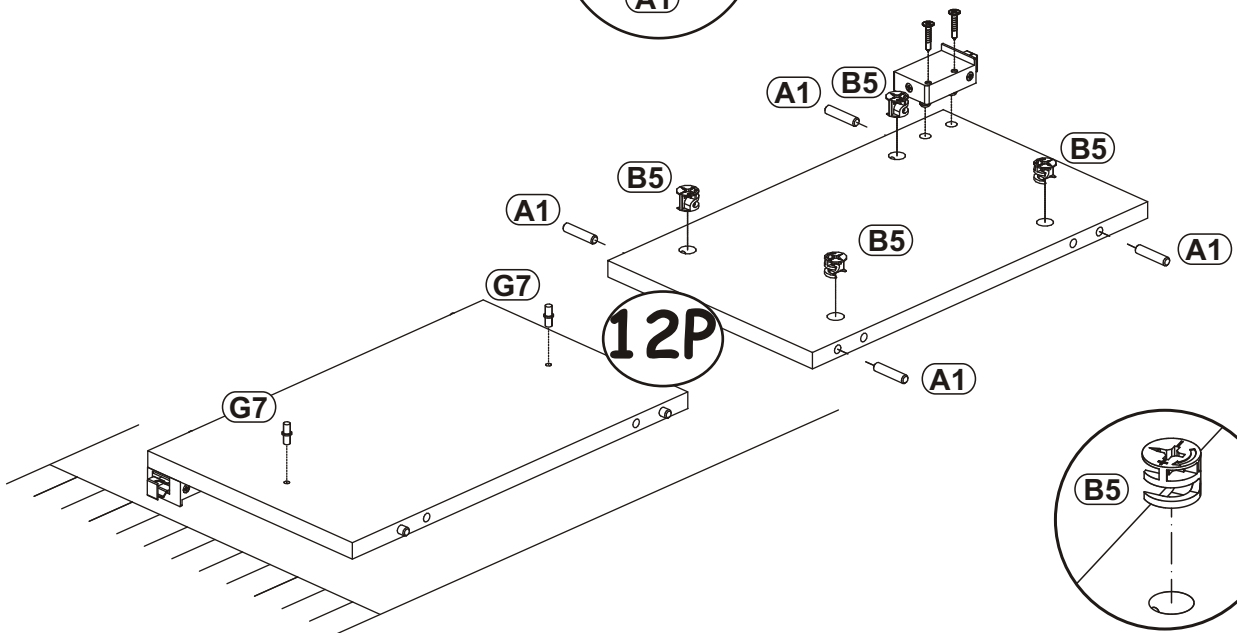
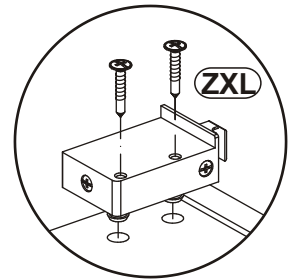
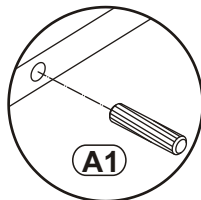
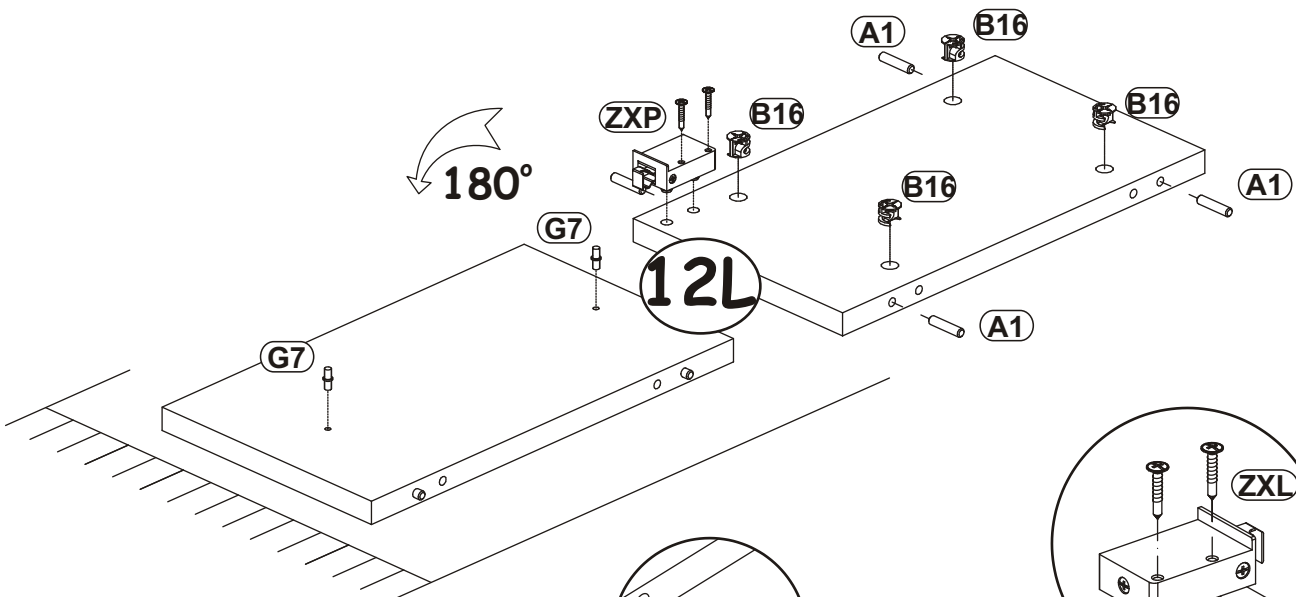
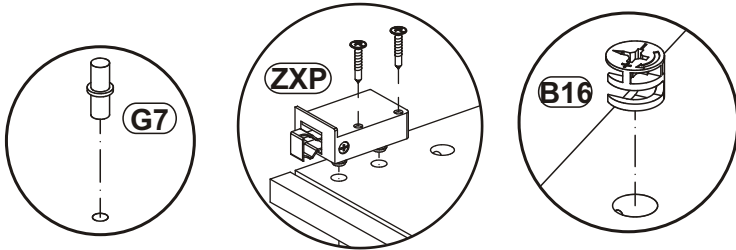
E21	
x4	Ø35 H=0



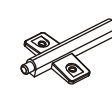
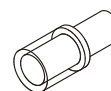
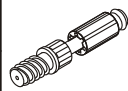
3

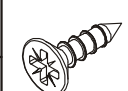


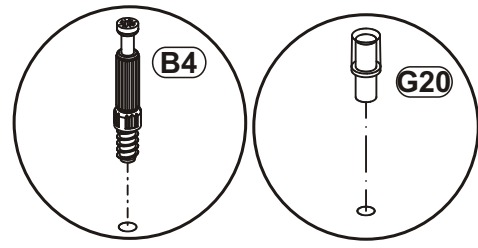
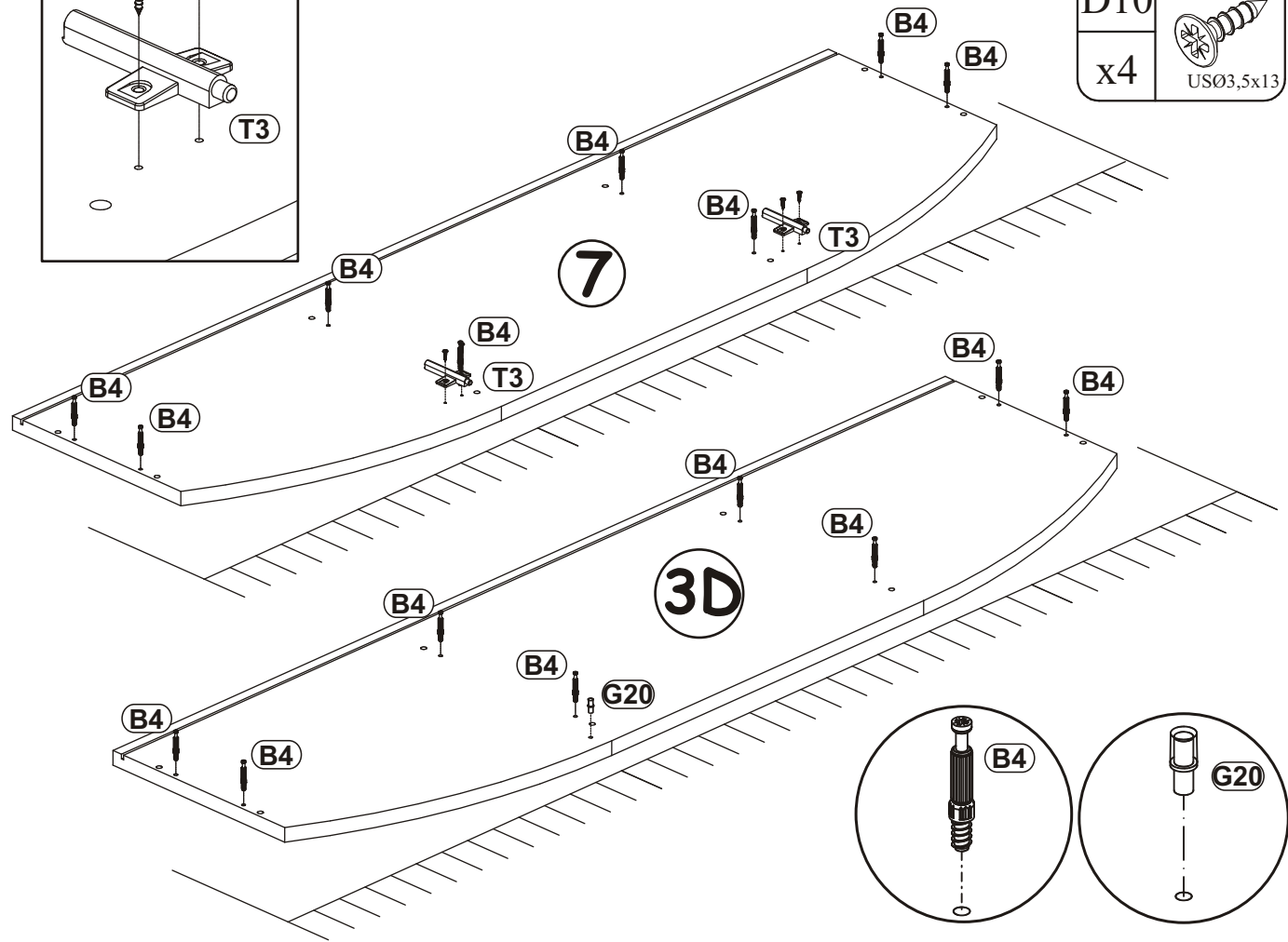
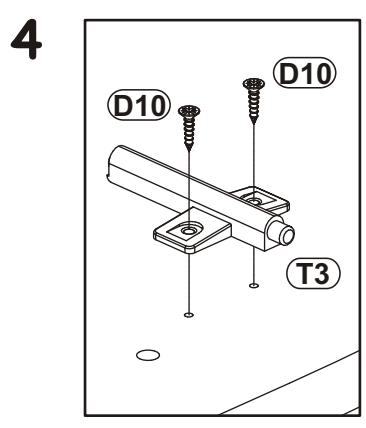
B5 x4	 ø15x12	A1 x8	 ø8x36
ZXL x1		ZXP x1	
G7 x4		B16 x4	 Ø15x16




PALERMO 20_PM TYP-30

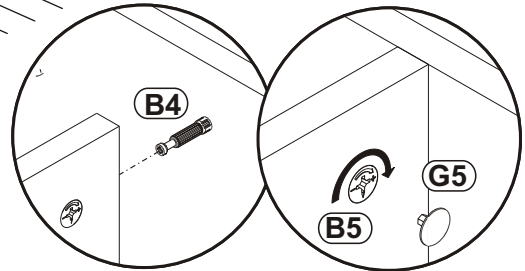
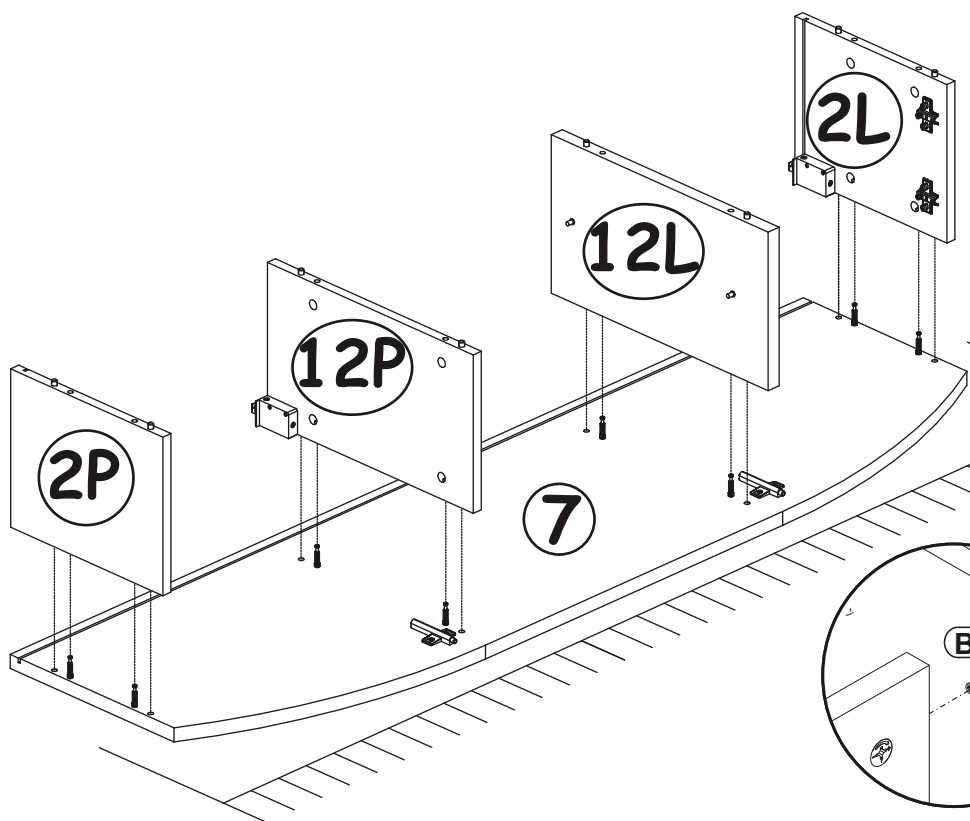
T3		G20		B4	
x2		x1		x16	

D10	
x4	USØ3,5x13




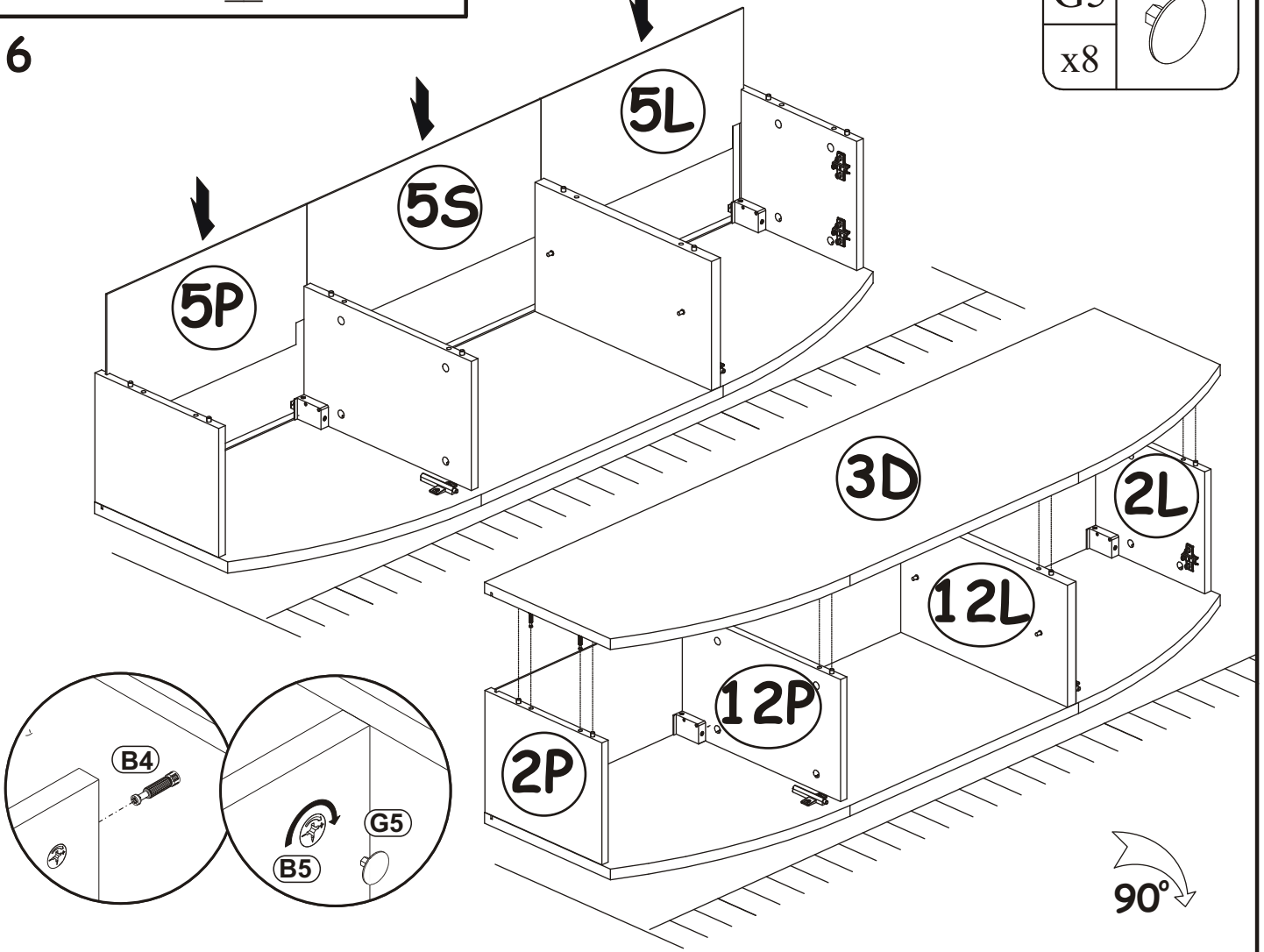
5

G5	
x8	




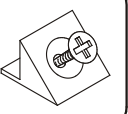
6

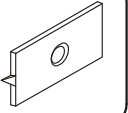
G5	
x8	

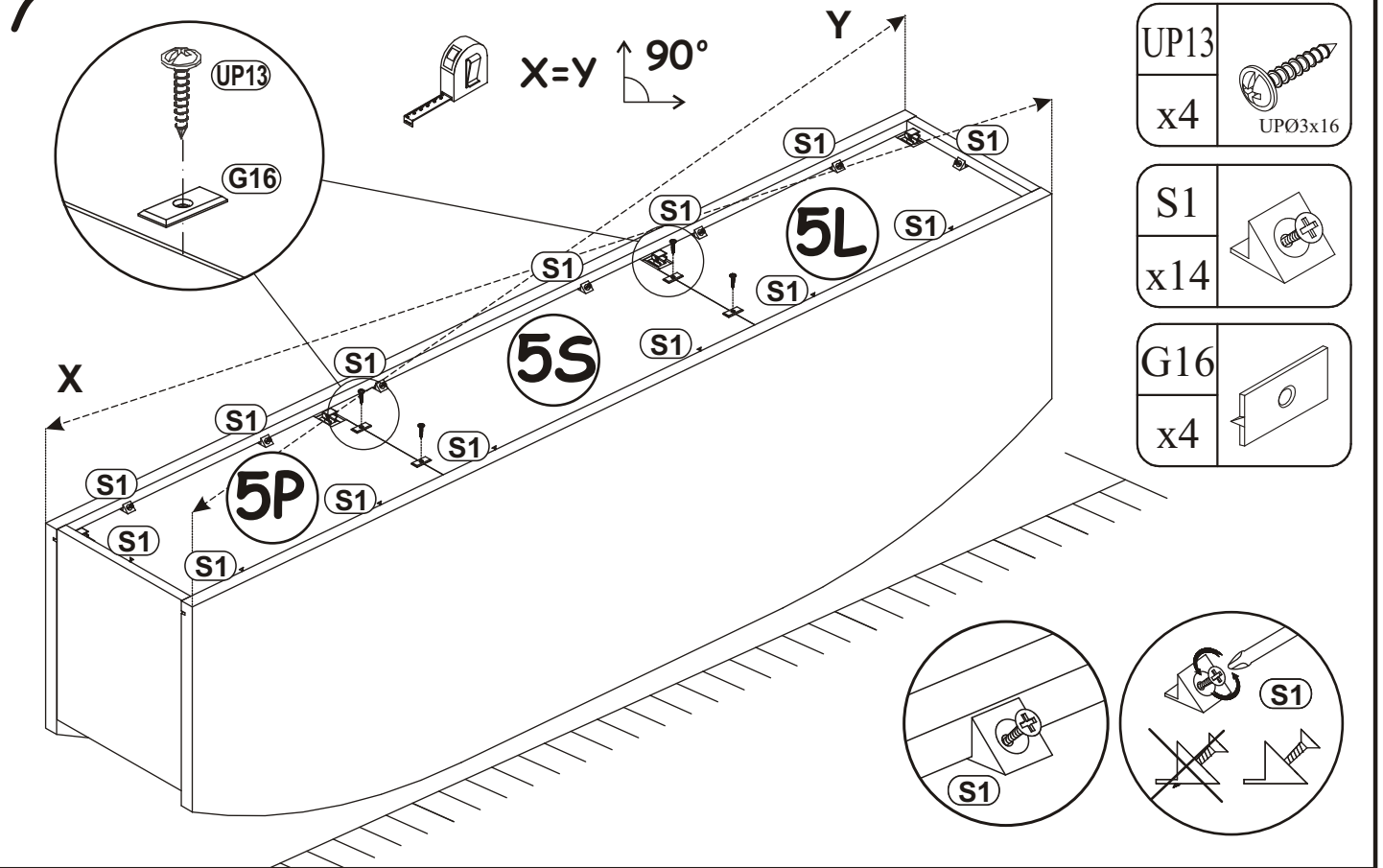


7

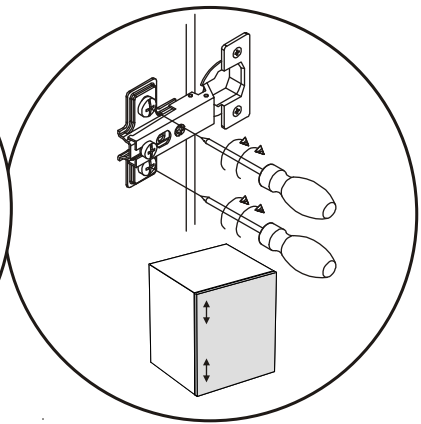
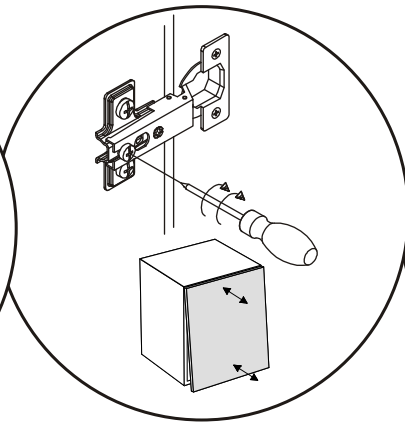
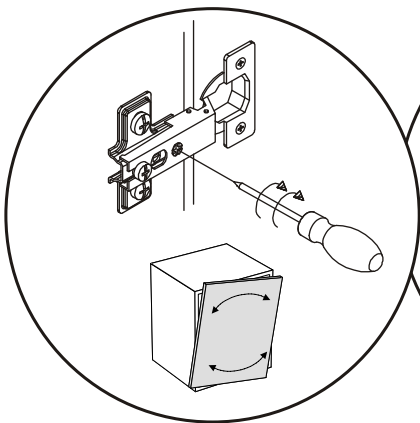
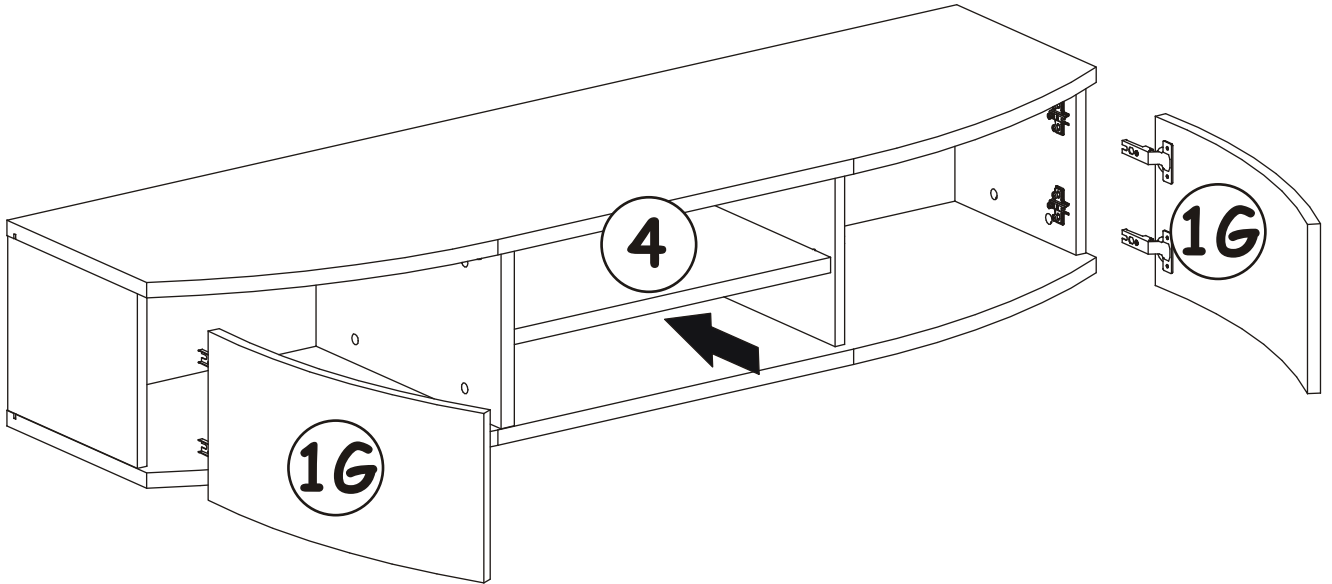
UP13	
x4	UPØ3x16

S1	
x14	

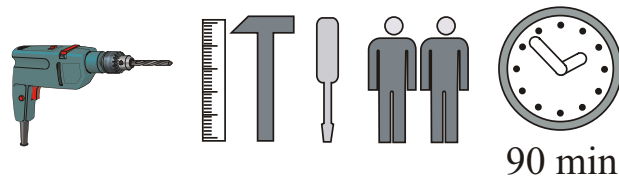
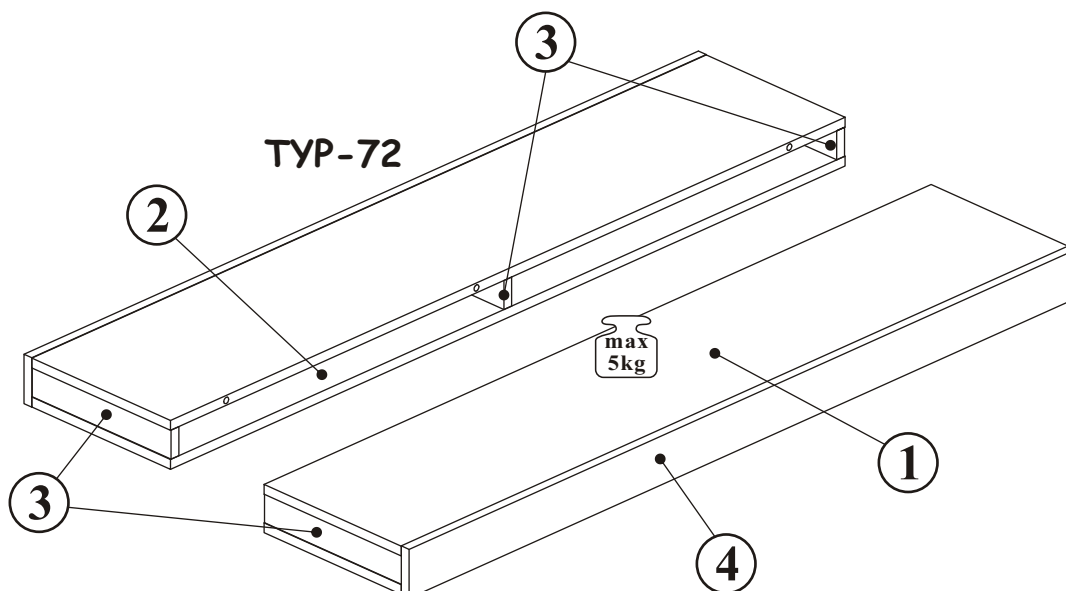
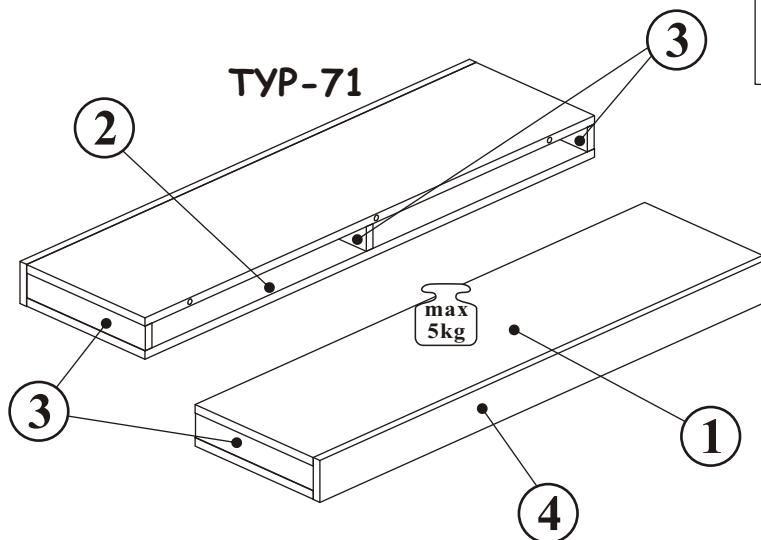
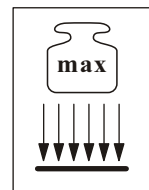
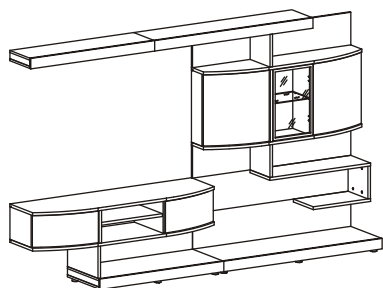
G16	
x4	



8



PALERMO 20 _PM TYP-71 ; TYP-72



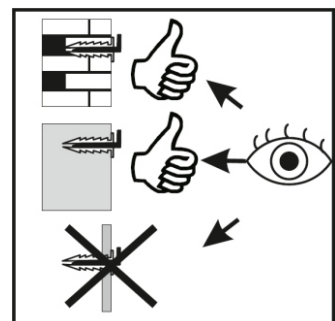
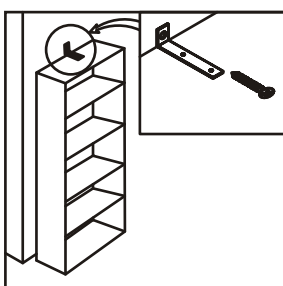
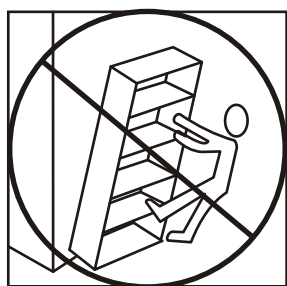
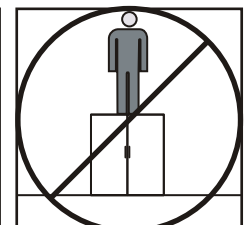
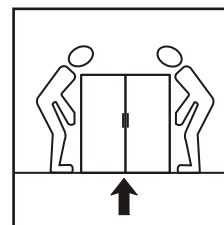
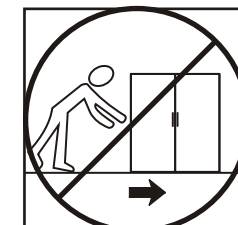
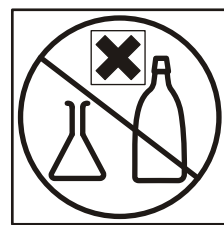
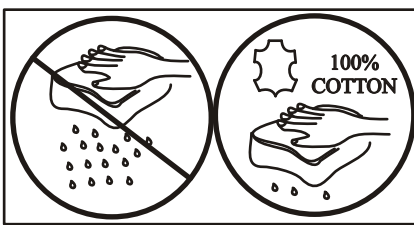
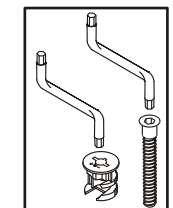
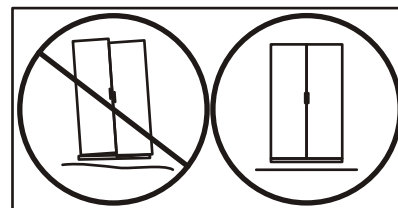
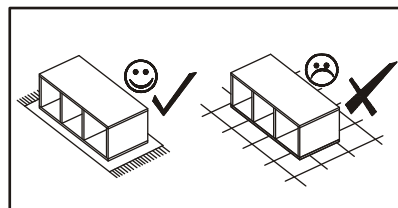
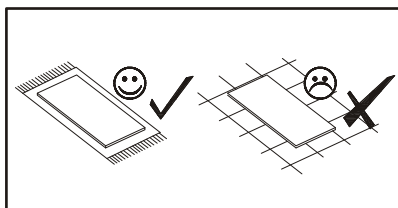
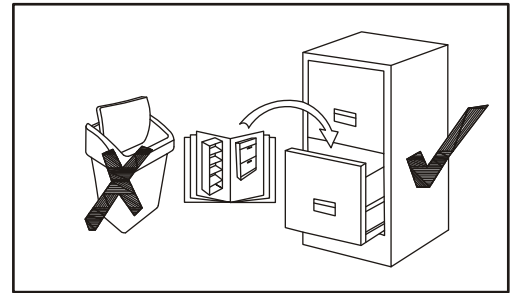
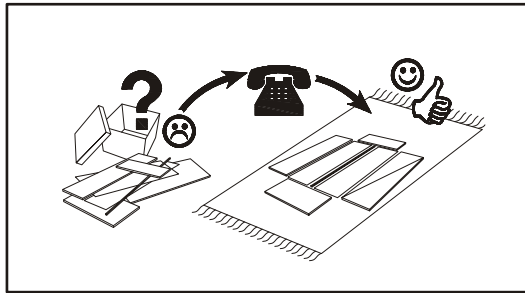
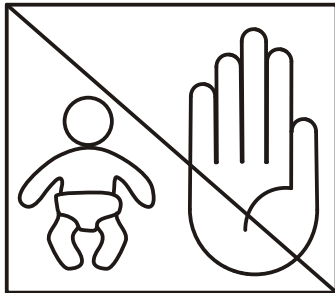
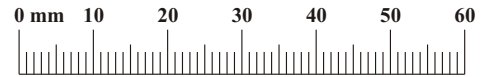
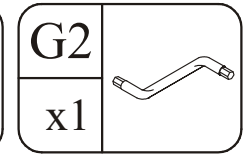
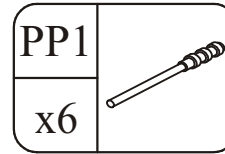
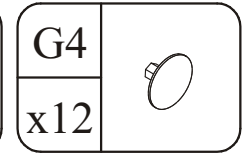
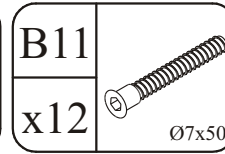
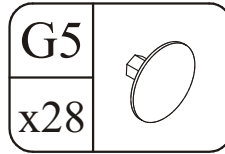
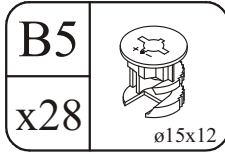
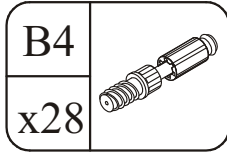
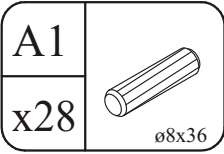
TYP-71

NO	Dim.			Col-No	Qty
1	1080	284	16	4	1
2	1080	284	16	4	1
3	284	47	16	4	3
4	1080	80	16	4	1

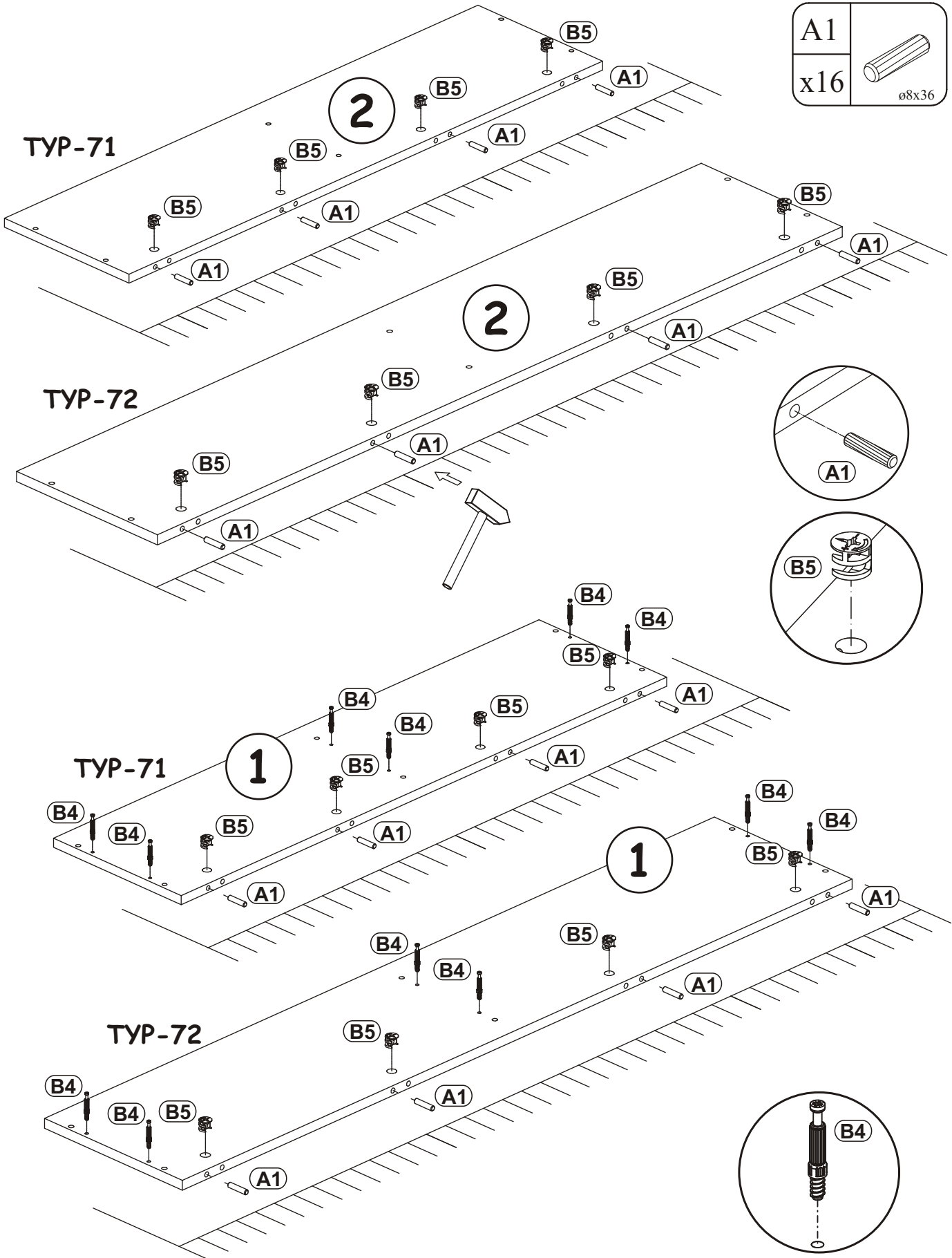
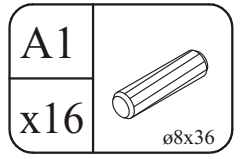
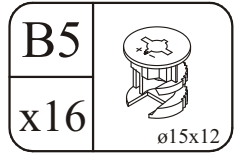
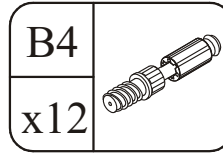
TYP-72

NO	Dim.			Col-No	Qty
1	1380	284	16	4	1
2	1380	284	16	4	1
3	284	47	16	4	3
4	1080	80	16	4	1

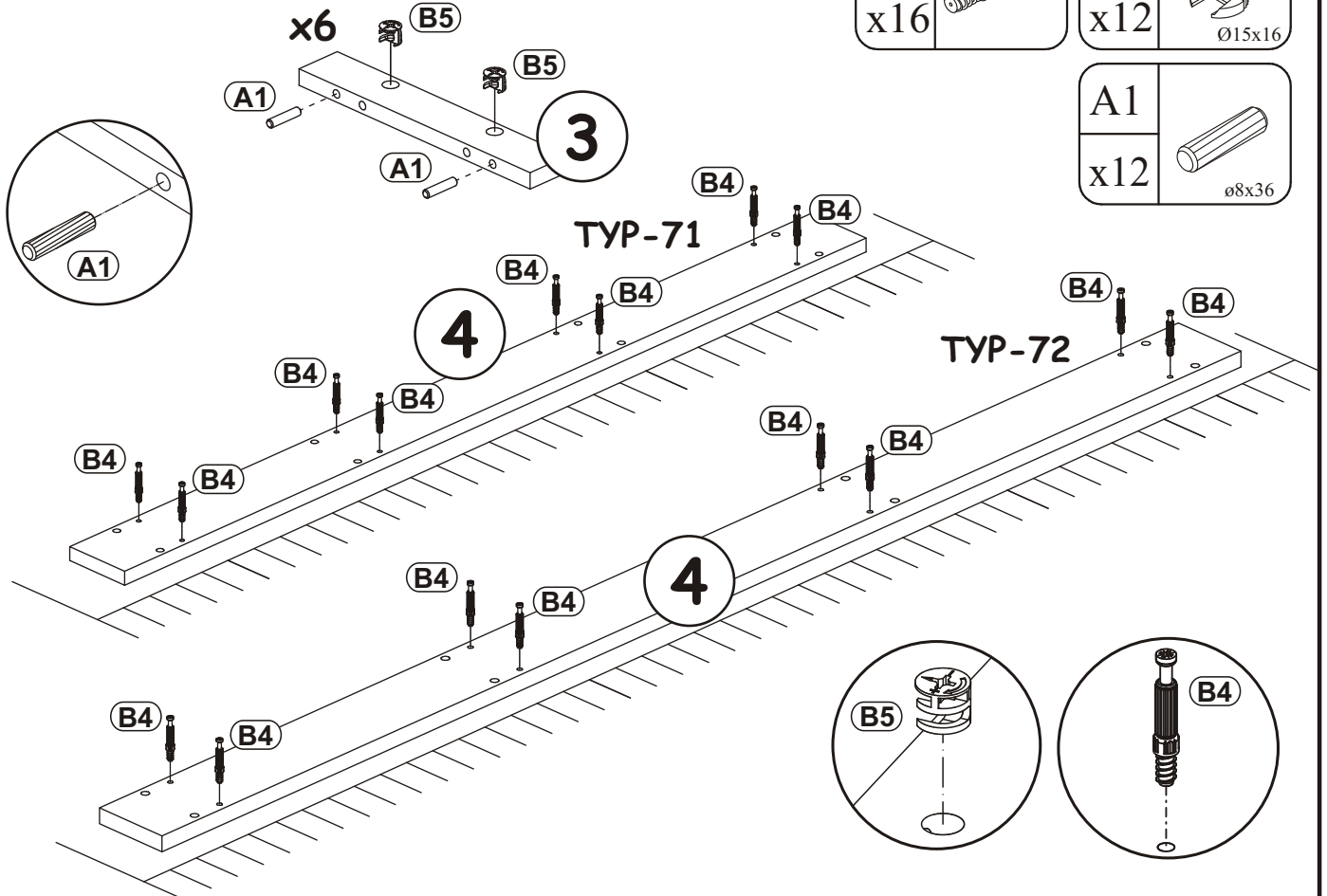
PALERMO 20 __PM TYP-71; TYP-72



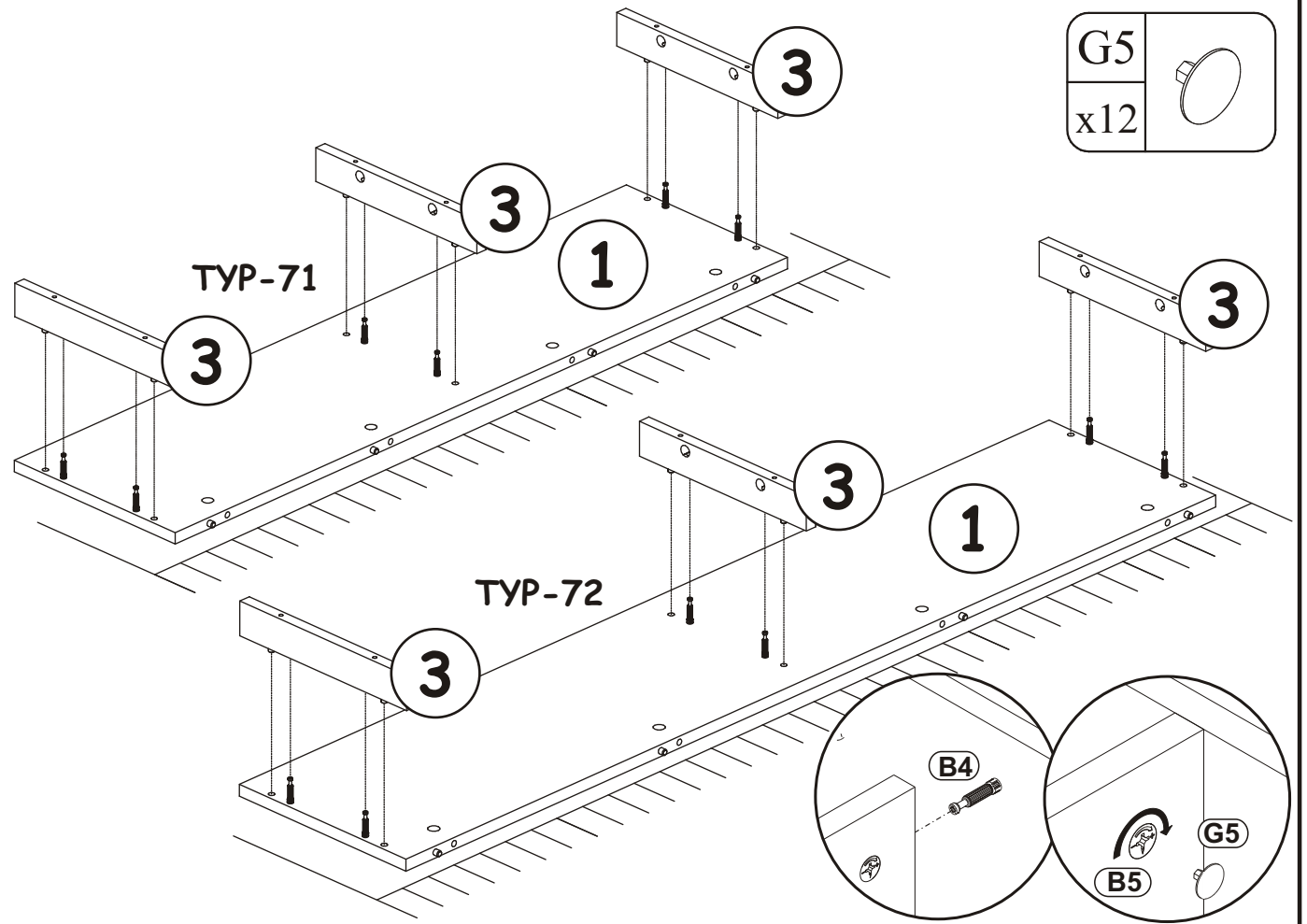
1

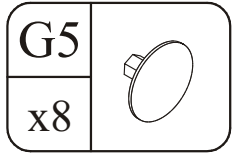


2

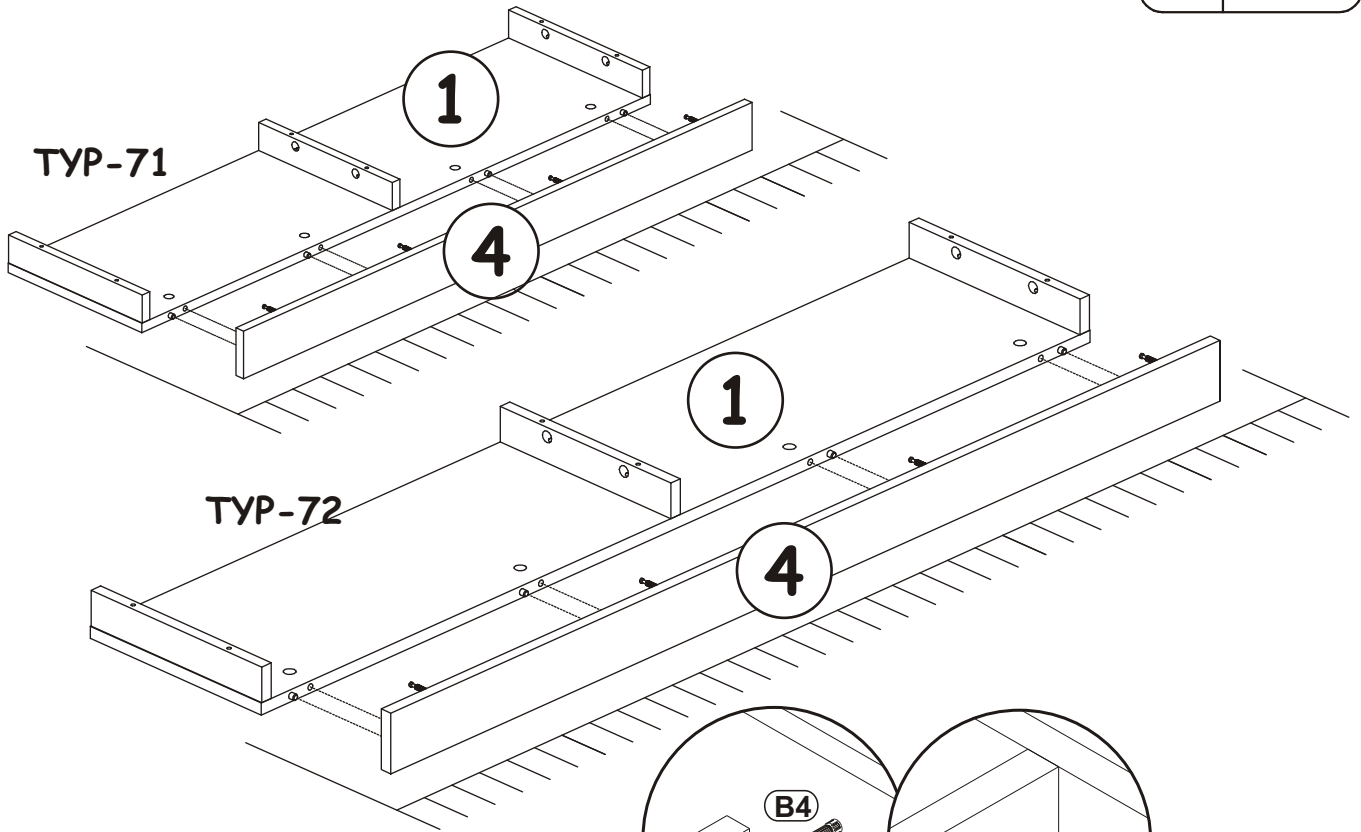


3

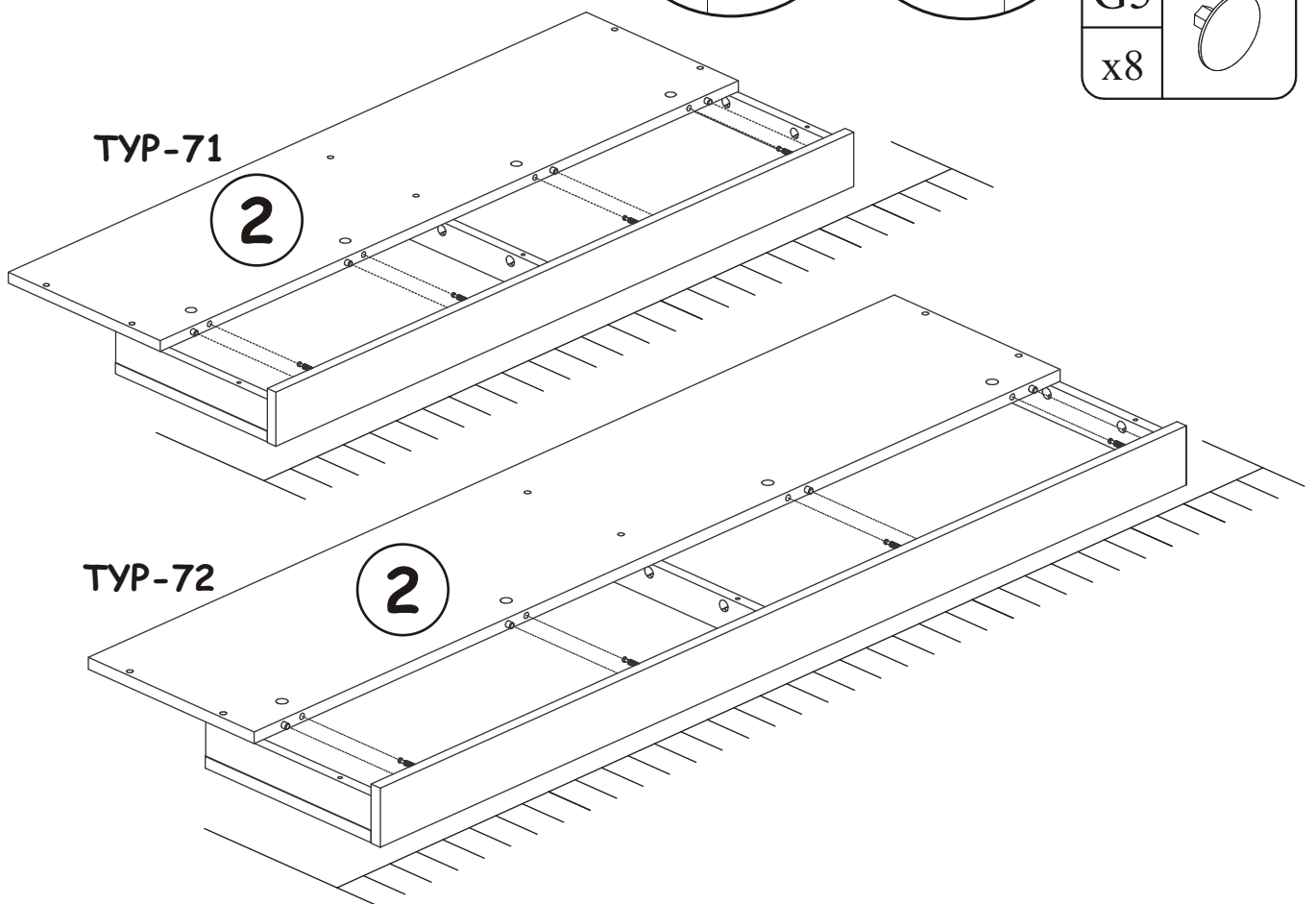
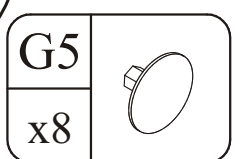






4

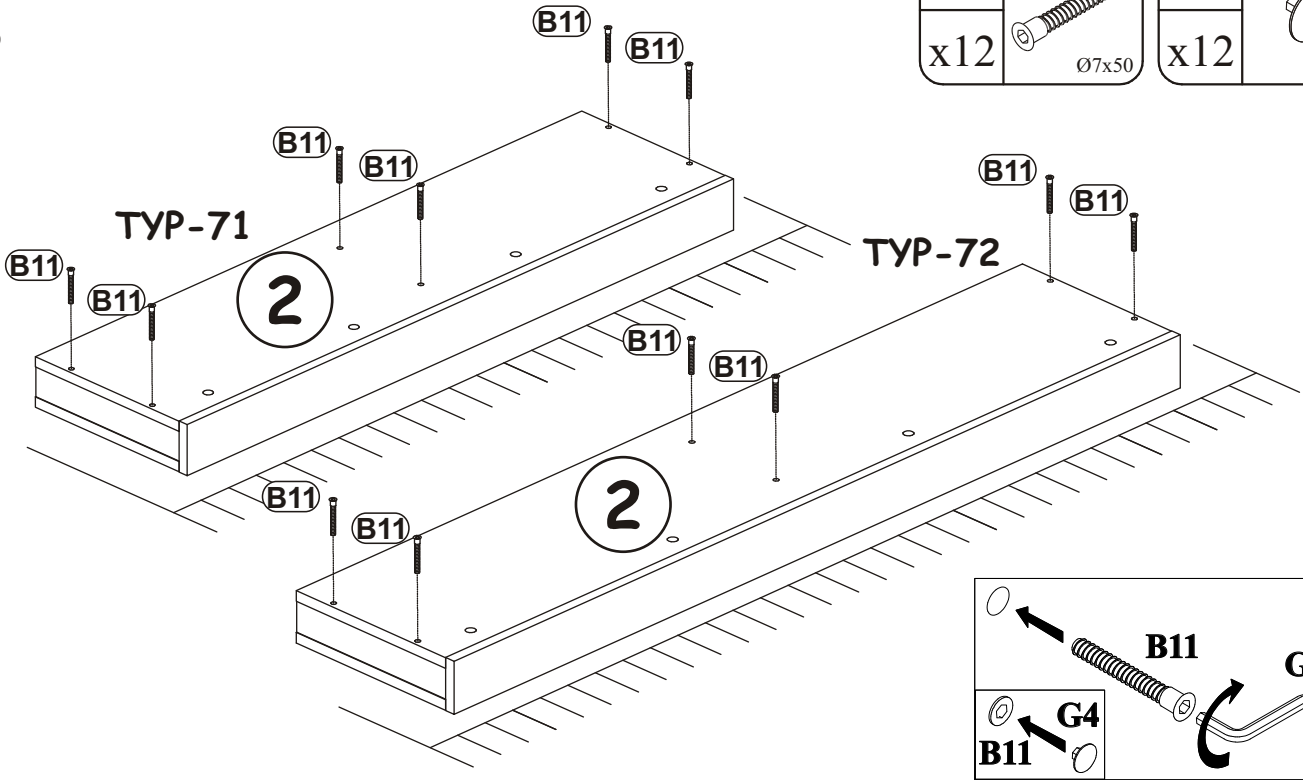


5

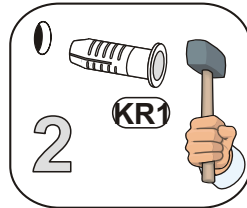
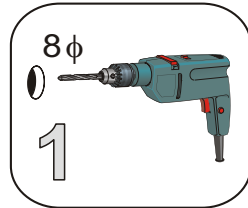
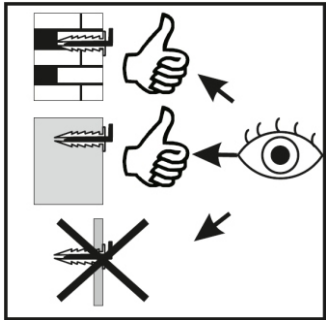


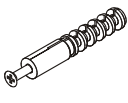
6

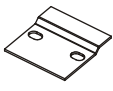
B11		G4	
x12	Ø7x50	x12	

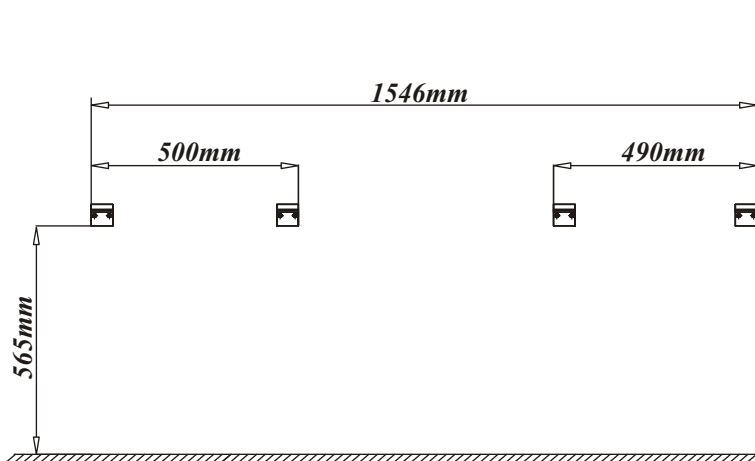
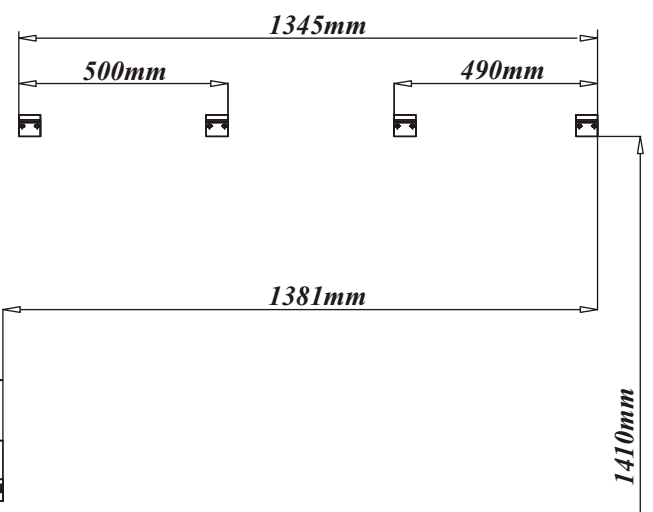
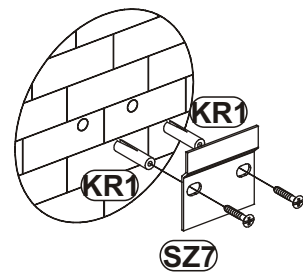


7

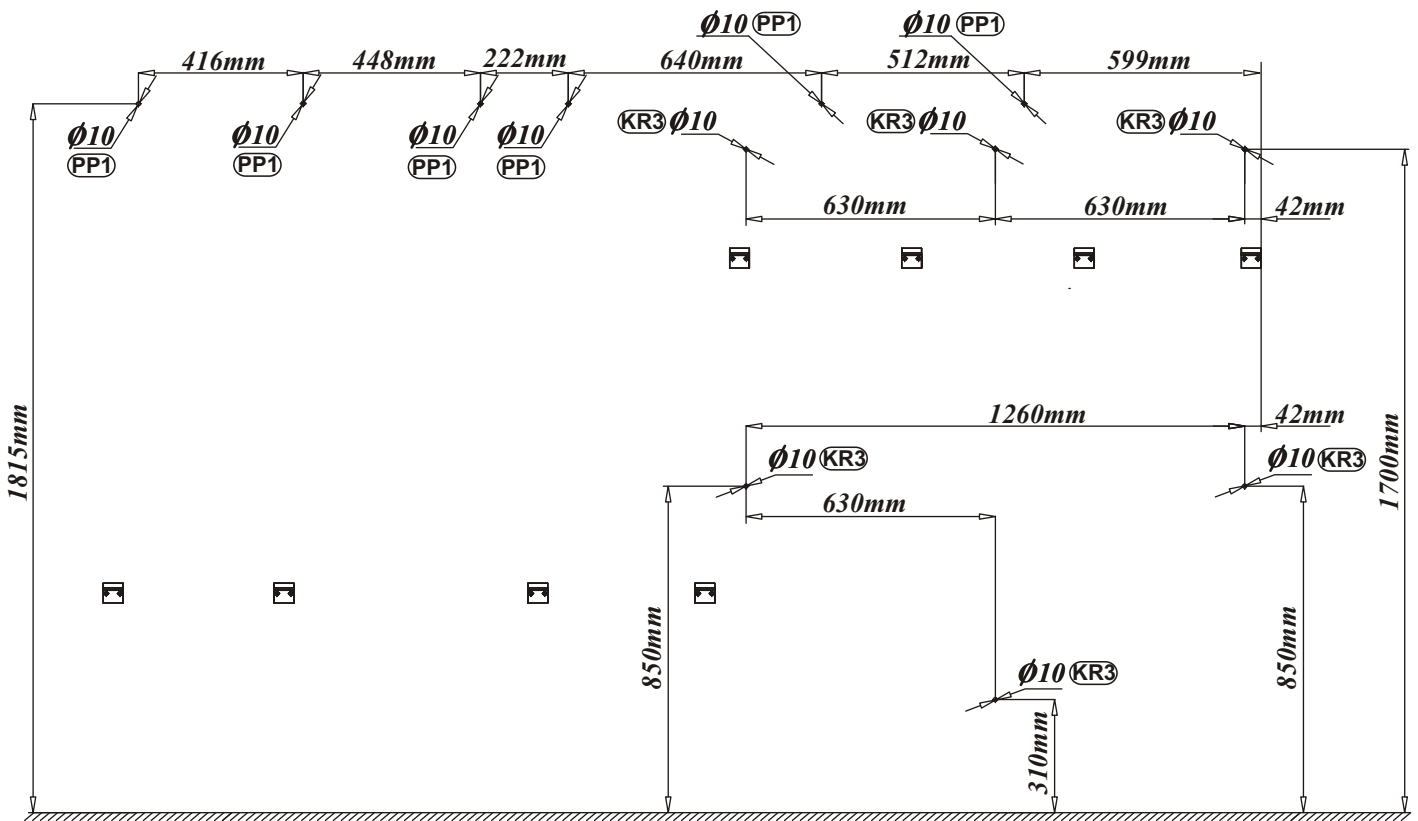
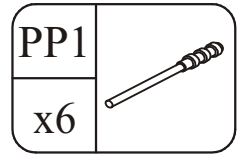
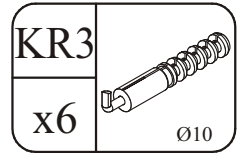
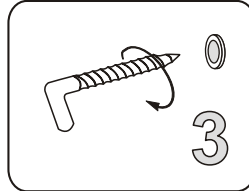
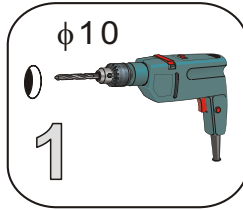
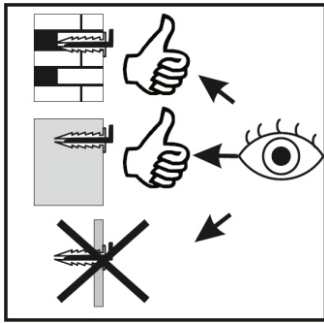


KR1	
x16	

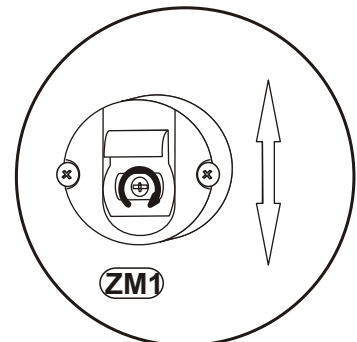
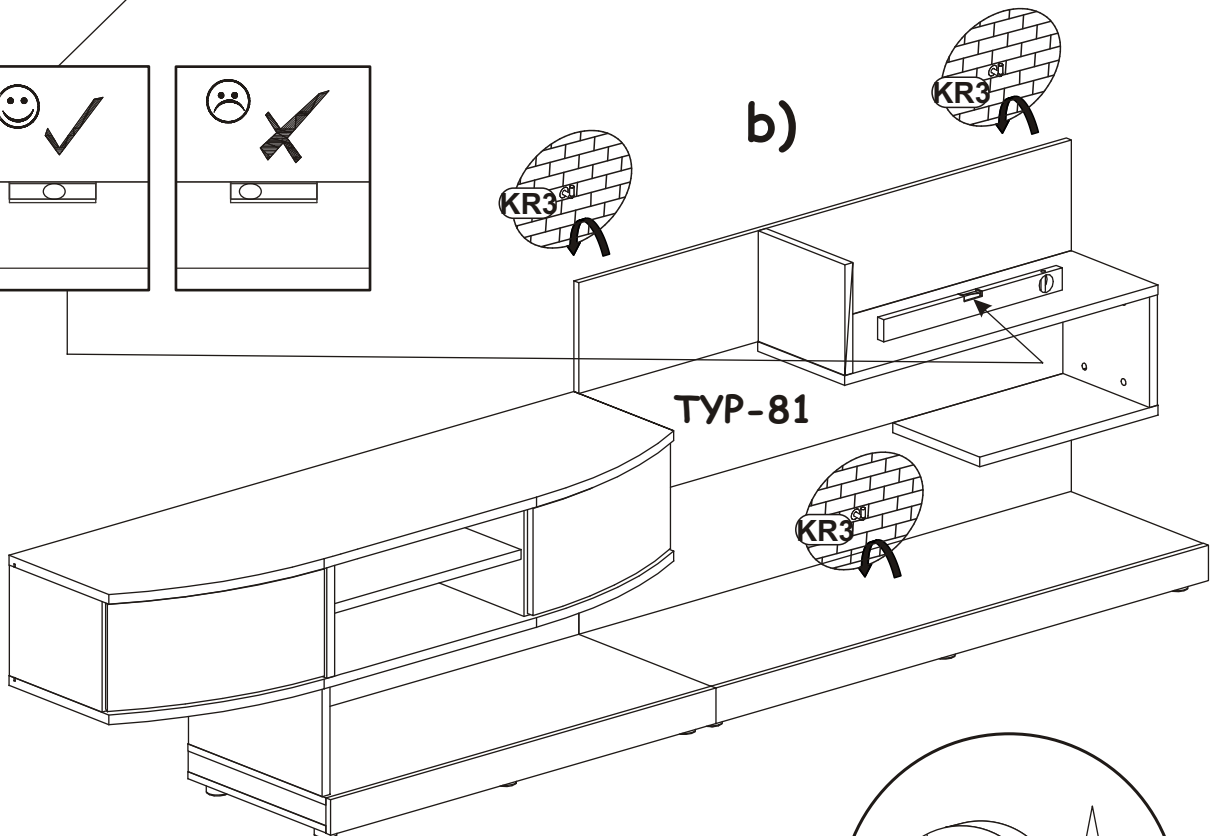
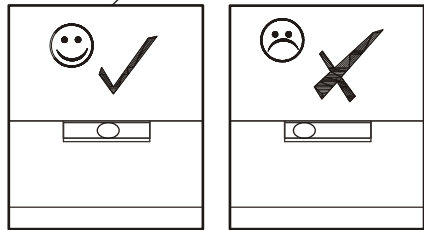
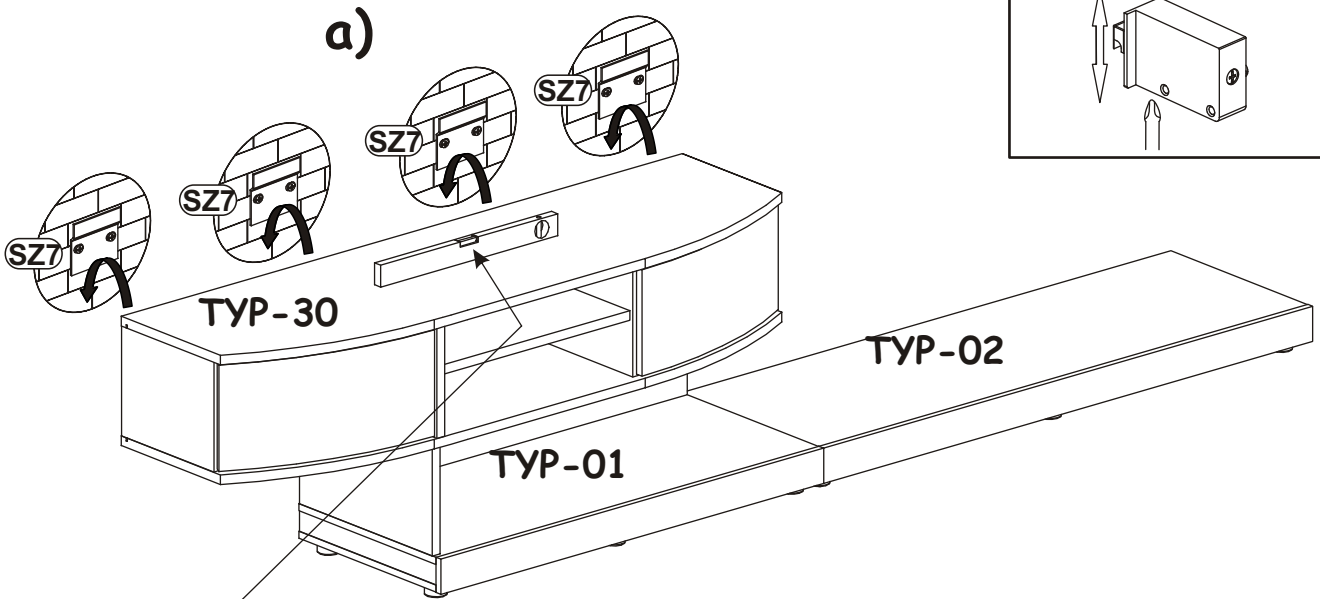
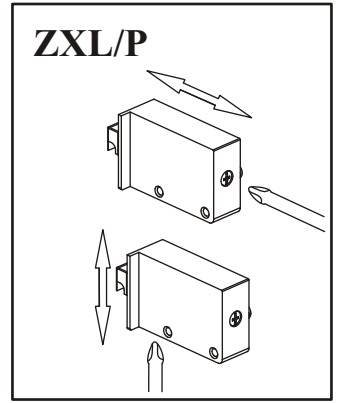
SZ7	
x8	



8

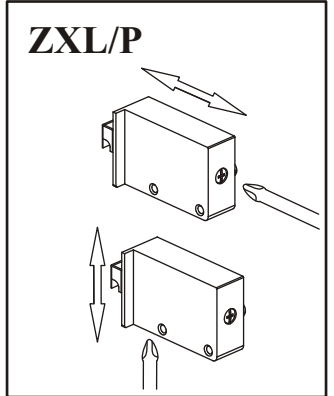
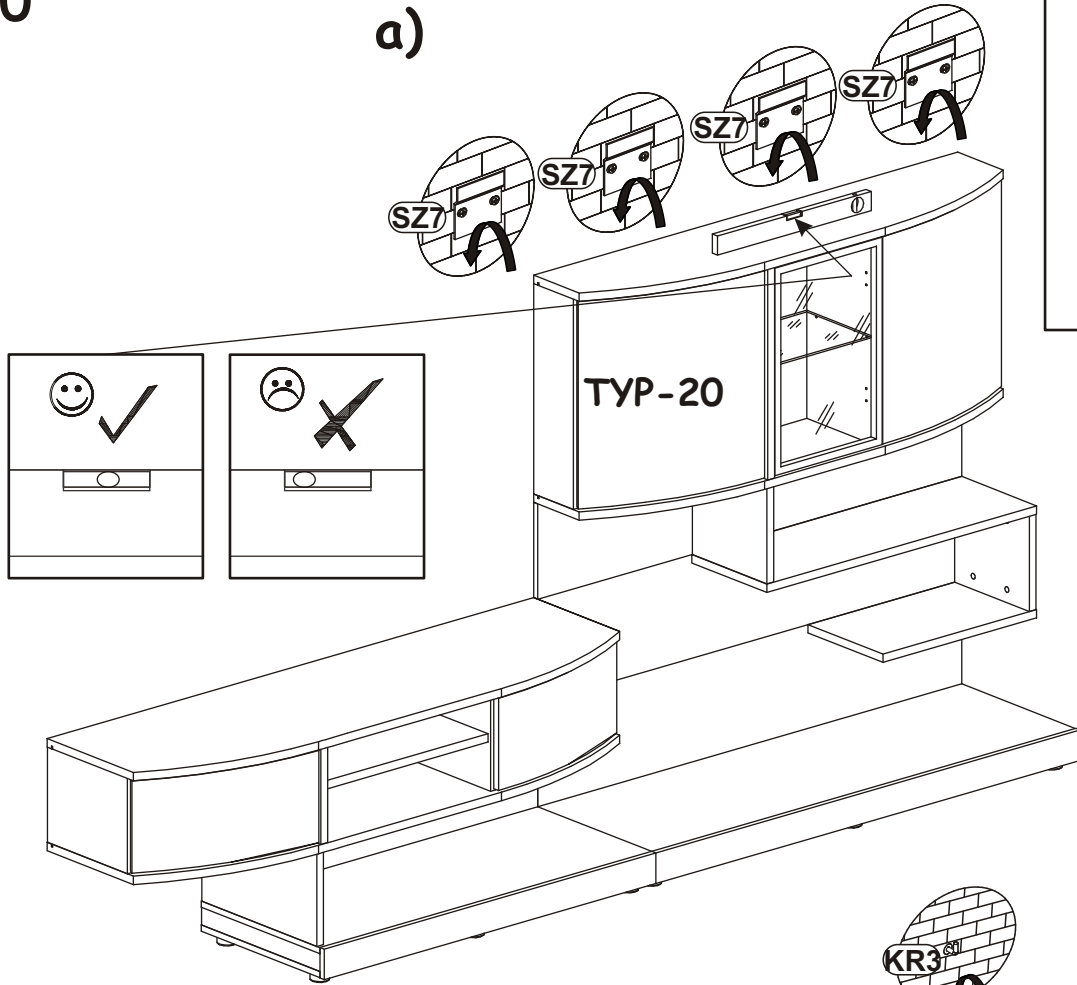


9

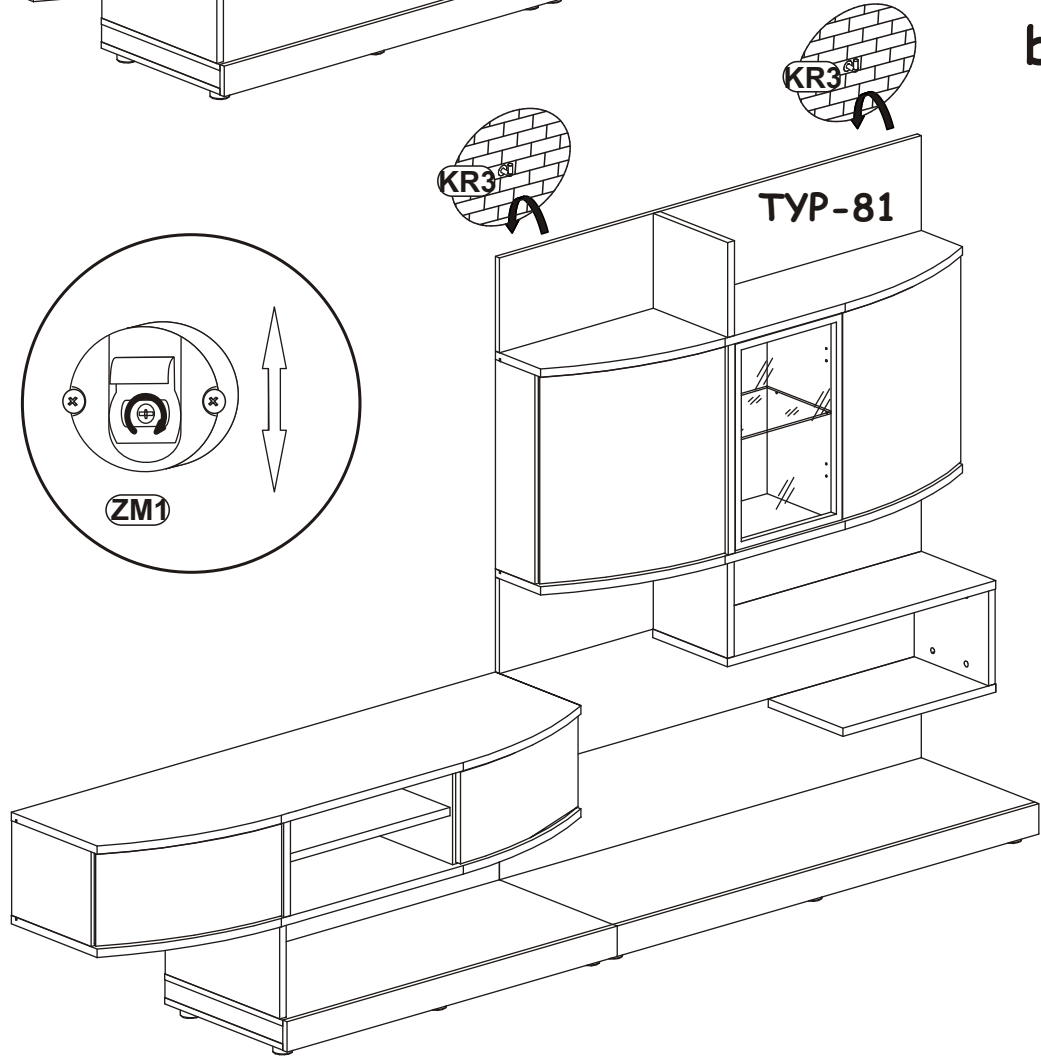


10

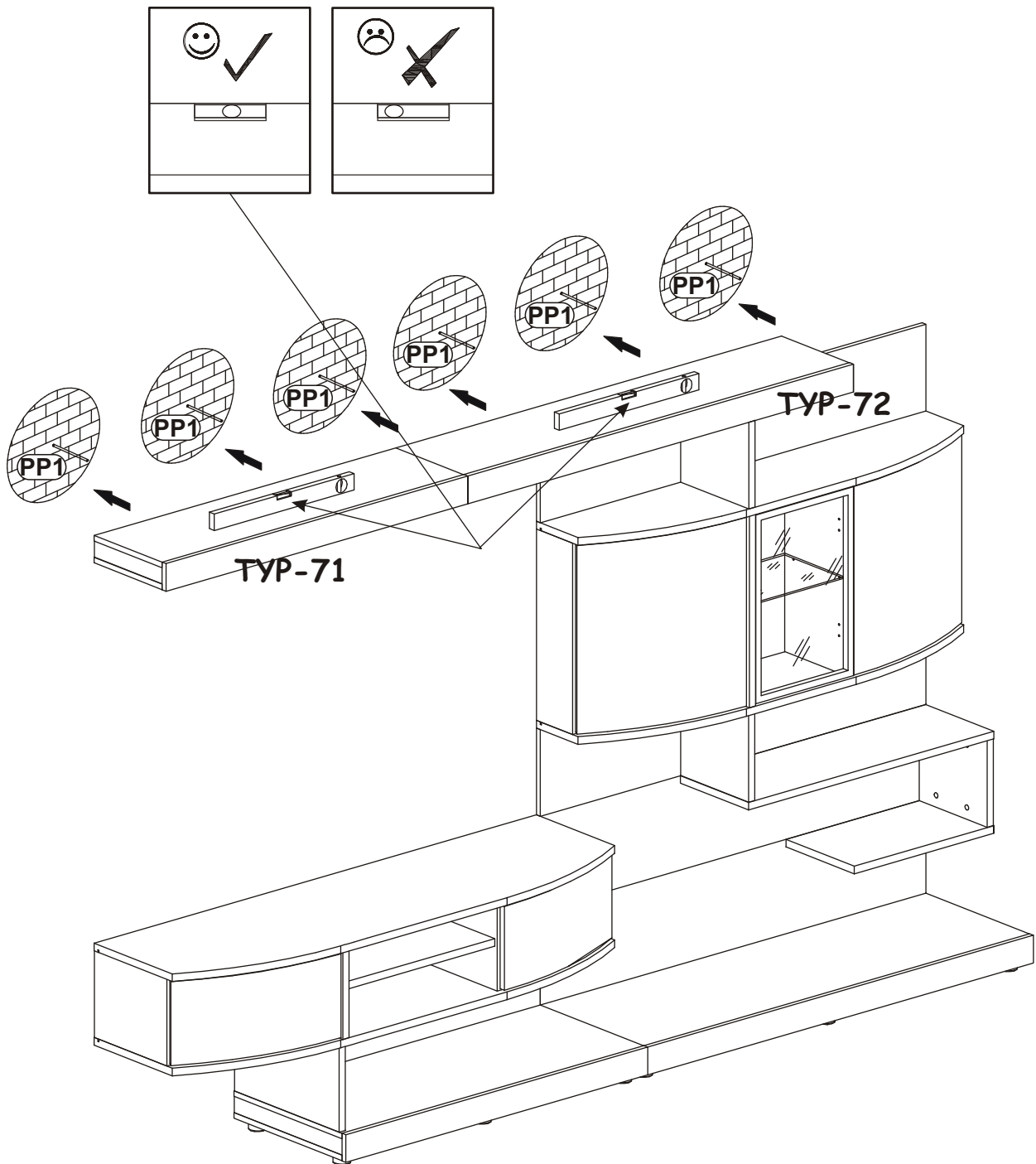
a)



b)



11



5

