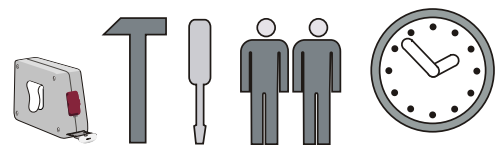
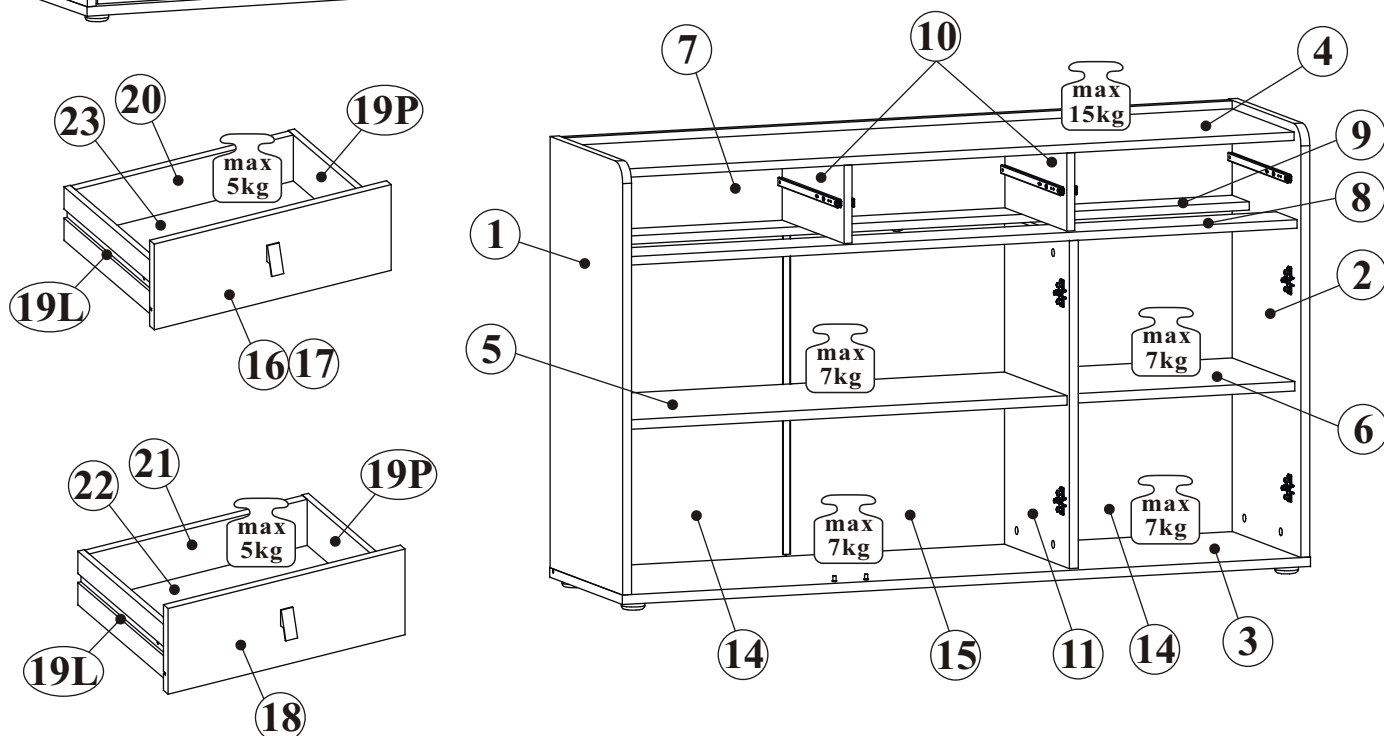
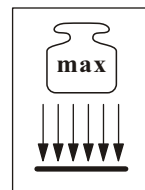
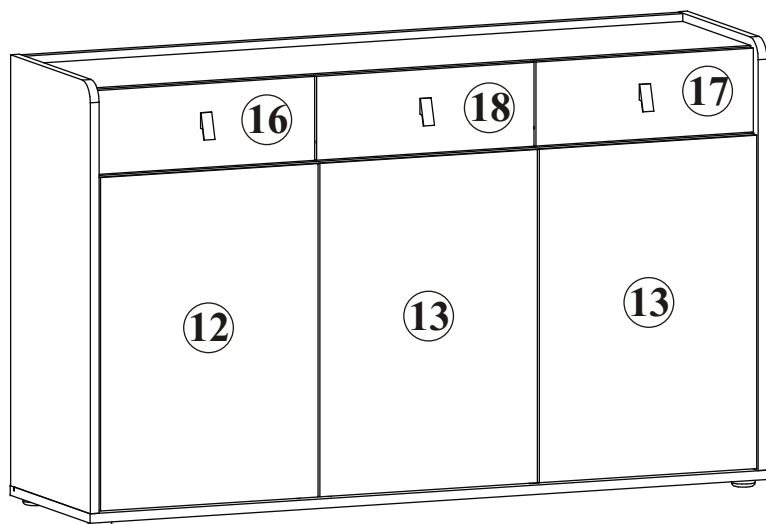


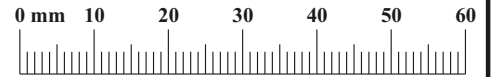
VIVERO 20_VV-TYP 04-SB2

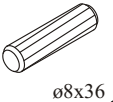
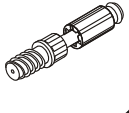


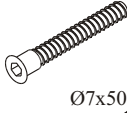

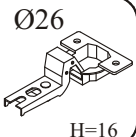
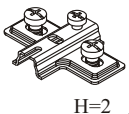
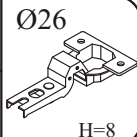
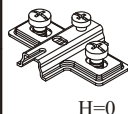

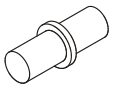





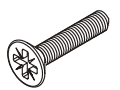

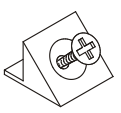
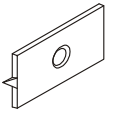

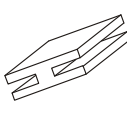
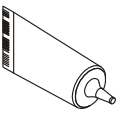


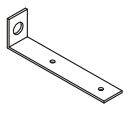
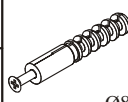
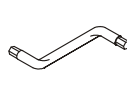


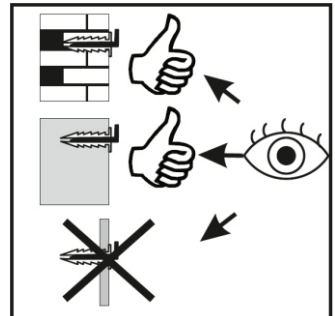
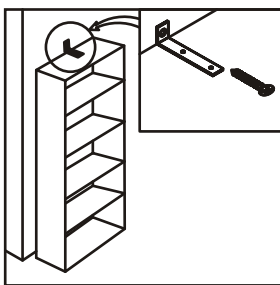
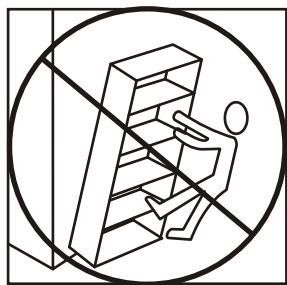
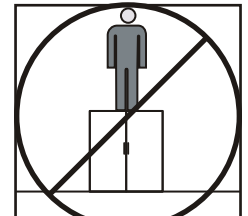
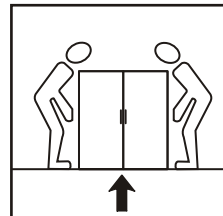
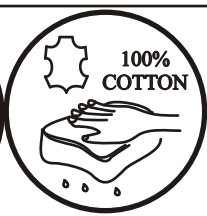
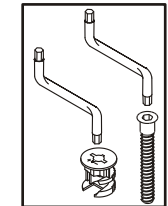
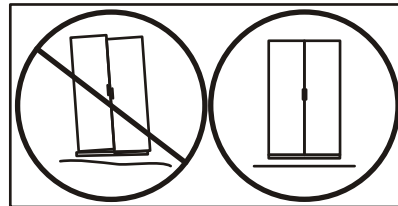
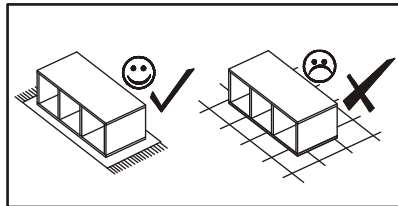
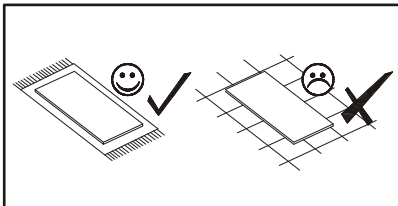
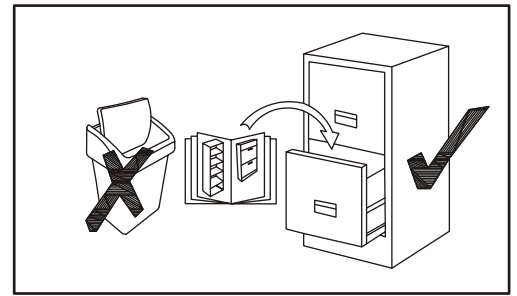
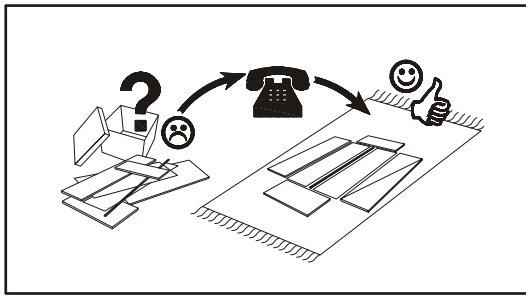
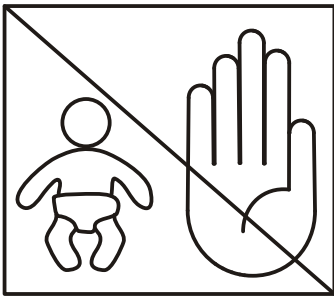
120 min

NO	Dim.			Col.-No	Qty
1	822	382	18	1	1
2	822	382	18	1	1
3	1390	383	18	1	1
4	1352	326	16	1	1
5	892	330	18	1	1
6	442	330	18	1	1
7	1352	180	18	1	1
8	1352	110	16	1	1
9	1352	90	16	1	1
10	149	326	16	1	2
11	625	342	18	2	1
12	636	446	18	2	1

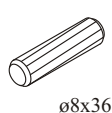
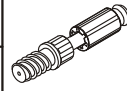



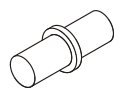
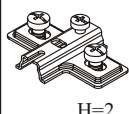
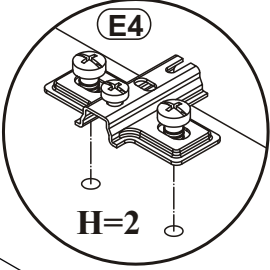
NO	Dim.			Col.-No	Qty
13	636	446	18	2	2
14	643	455	3	2	2
15	643	448	3	2	1
16	446	160	16	2	1
17	446	160	16	2	1
18	446	160	16	2	1
19L	300	100	12	2	3
19P	300	100	12	2	3
20	410	86	16	1	2
21	401	86	16	1	1
22	411	305	3	2	1
23	420	305	3	2	2

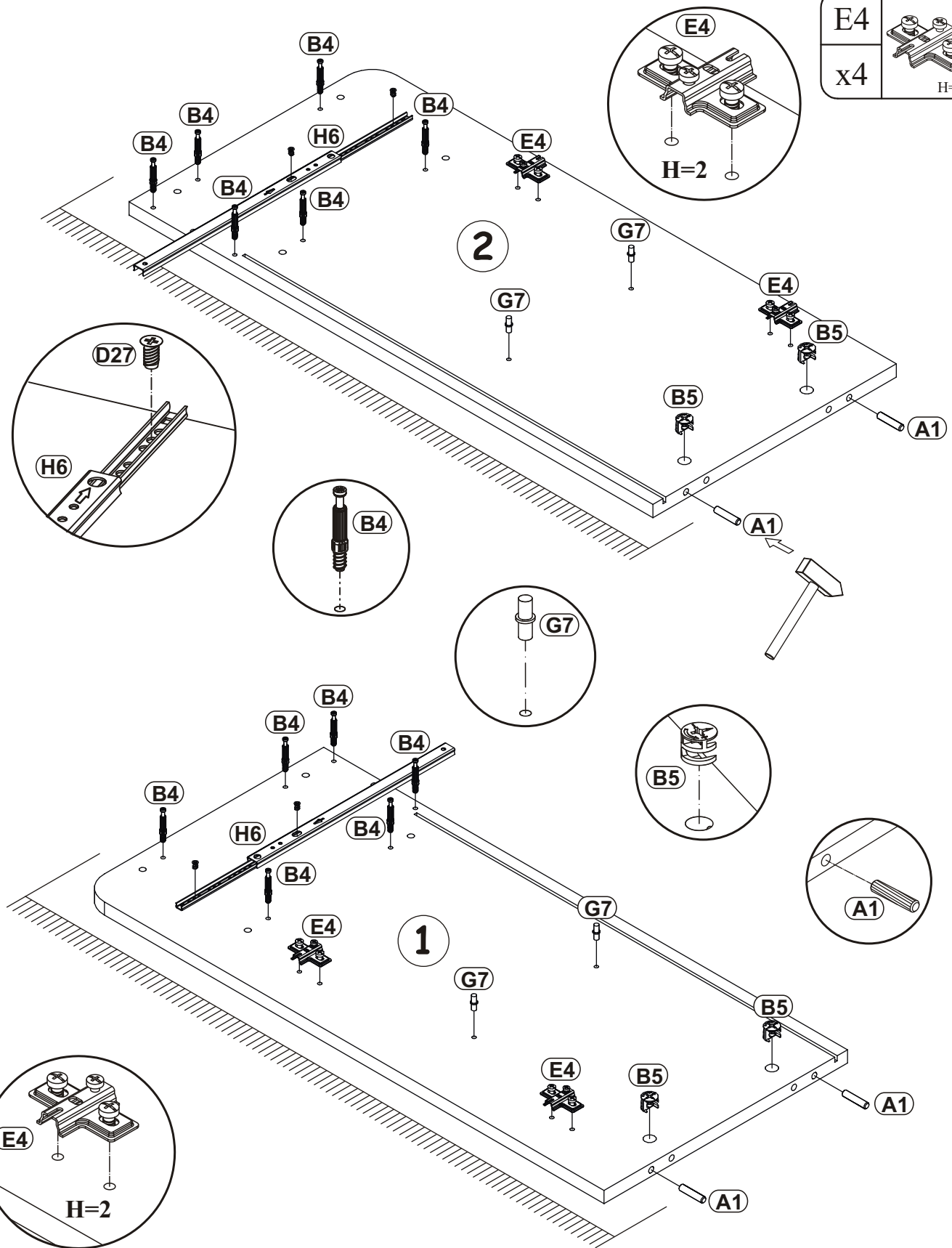


A1 x50  Ø8x36	B4 x24 	B5 x28  Ø15x12	G5 x28 	B11 x2  Ø7x50	G4 x2 
E5 x4 Ø26 H=16 	E4 x4 H=2 	E3 x2 Ø26 H=8 	E2 x2 H=0 	D10 x14 USØ3,5x13 	G7 x10 
H6 x3 L-310mm 	D27 x12 ESØ6x8 	D18 x6 M4x9 	UP13 x30 UPØ3x16 	A955 x3 	DS3 x3 WSM4x20 
B6 x2 Ø7x76 	S1 x15 	G16 x6 	D9 x6 USØ3x20 	G8 x1 	G1 x2 
I11 x6 Ø45, h=15 	UP11 x6 UPØ4x20 	L1 x1 	KR1 x1 Ø8 	G2 x1 	

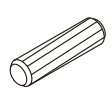
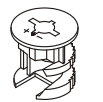
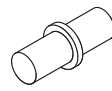


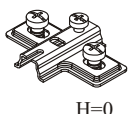
1

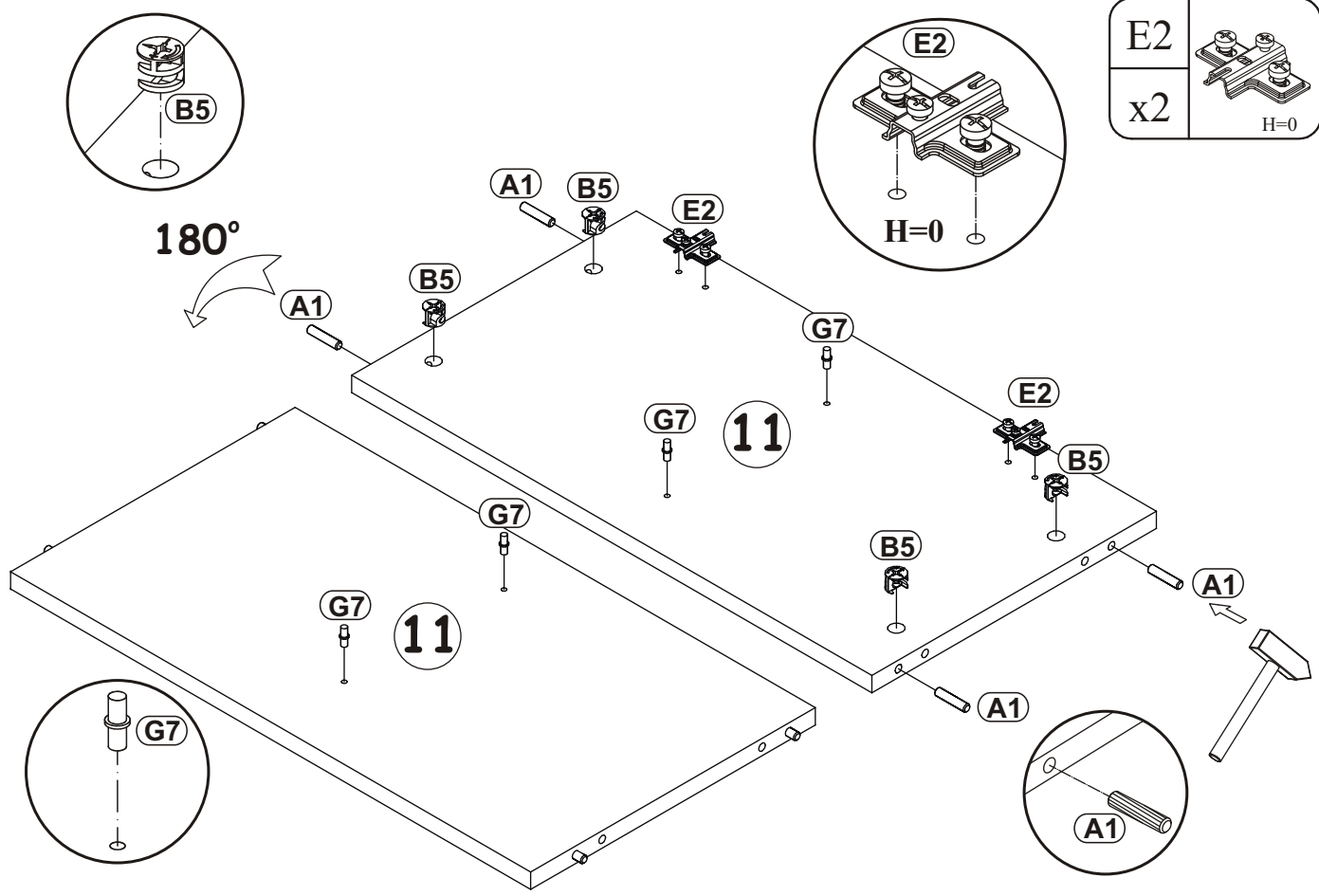
A1		B4		B5	
x4	ø8x36	x12		x4	Ø15x12
H6		D27		G7	
x1	L-310mm	x4	ESØ6x8	x4	
E4		 H=2		x4	
H=2				H=2	



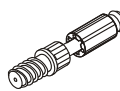
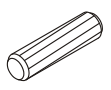
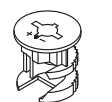
2

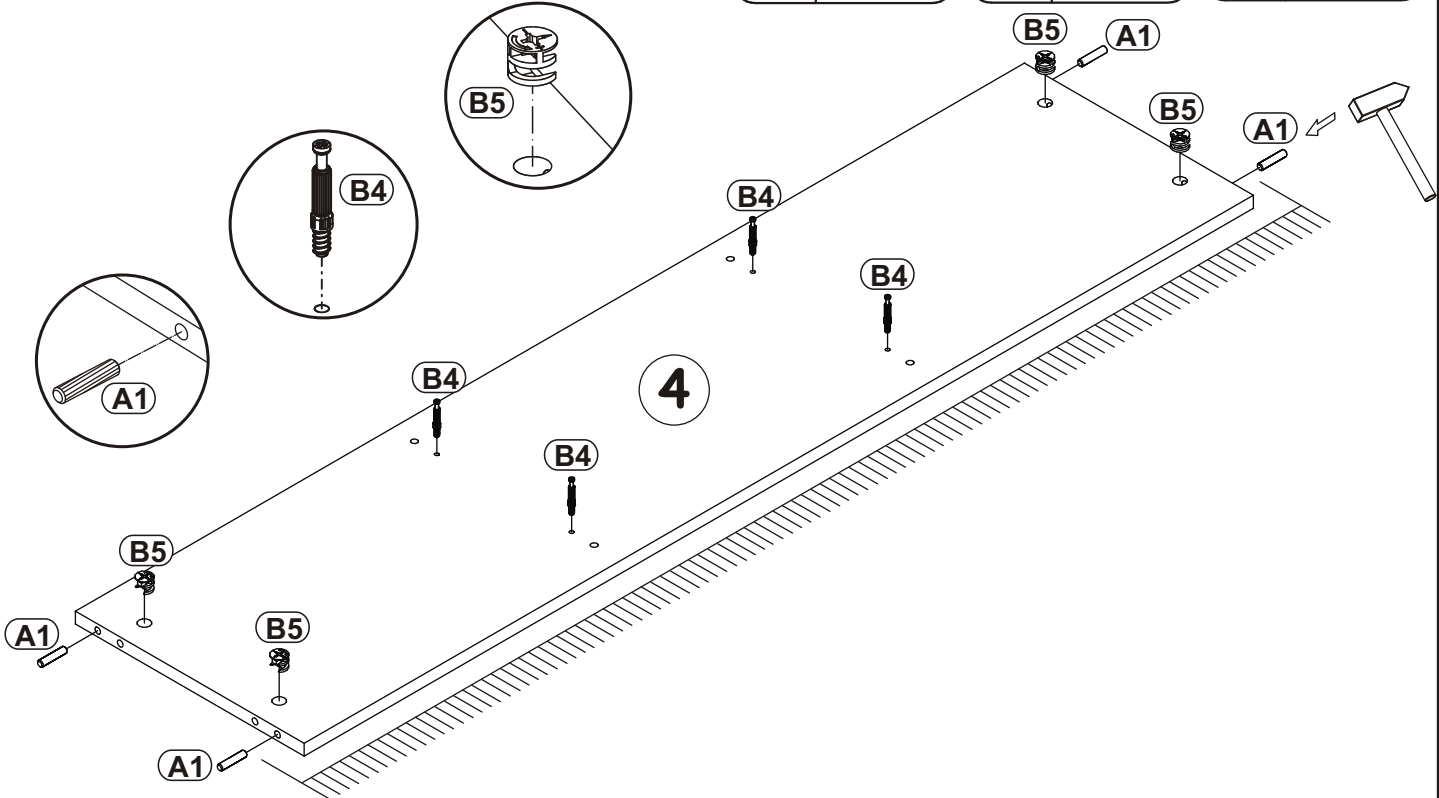
A1		B5		G7	
x4	∅8x36	x4	∅15x12	x4	

E2	
x2	H=0

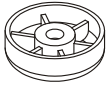


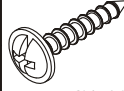
3

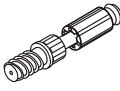
B4		A1		B5	
x4		x4	∅8x36	x4	∅15x12

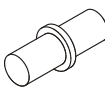


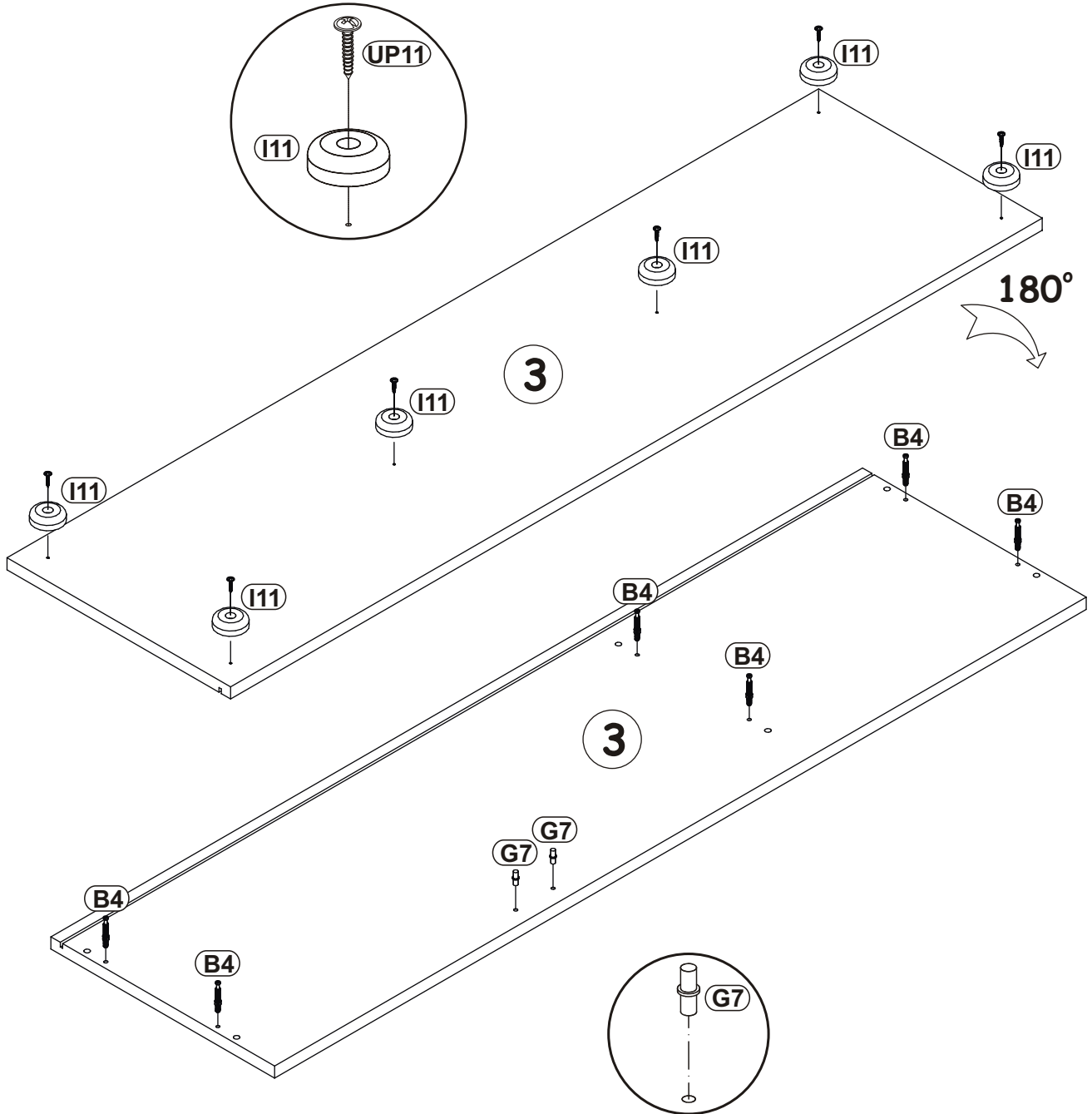
4

I11	
x6	Ø45, h=15

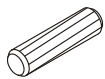
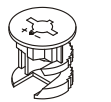
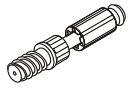
UP11	
x6	UPØ4x20

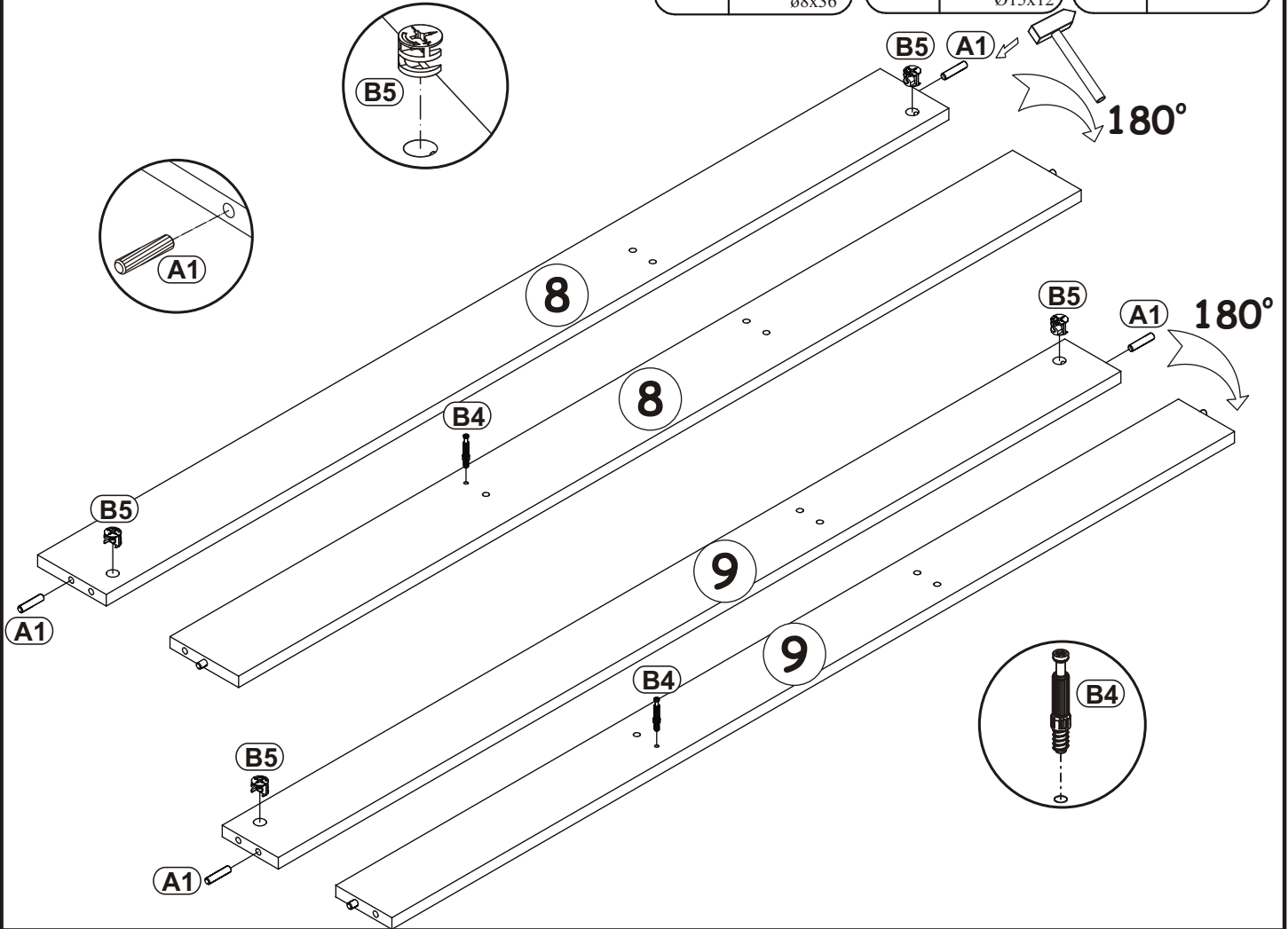
B4	
x6	

G7	
x2	

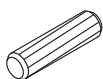



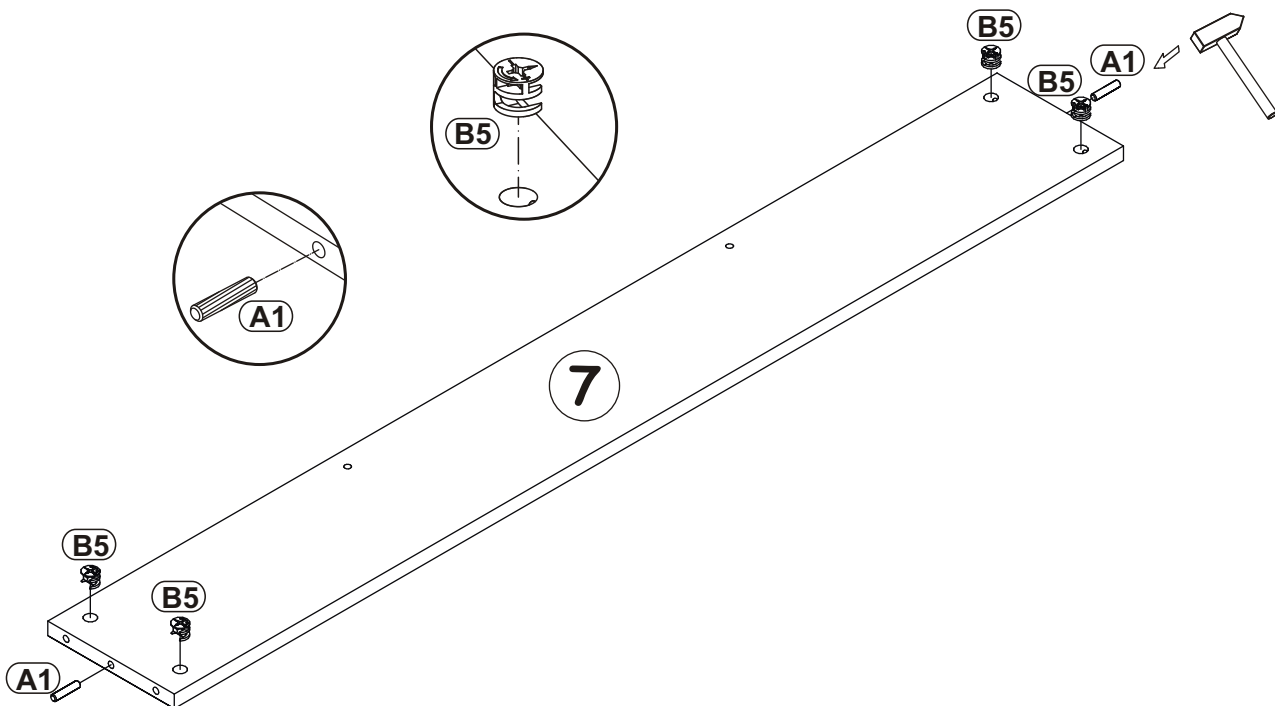
5

A1		B5		B4	
x4	ø8x36	x4	Ø15x12	x2	

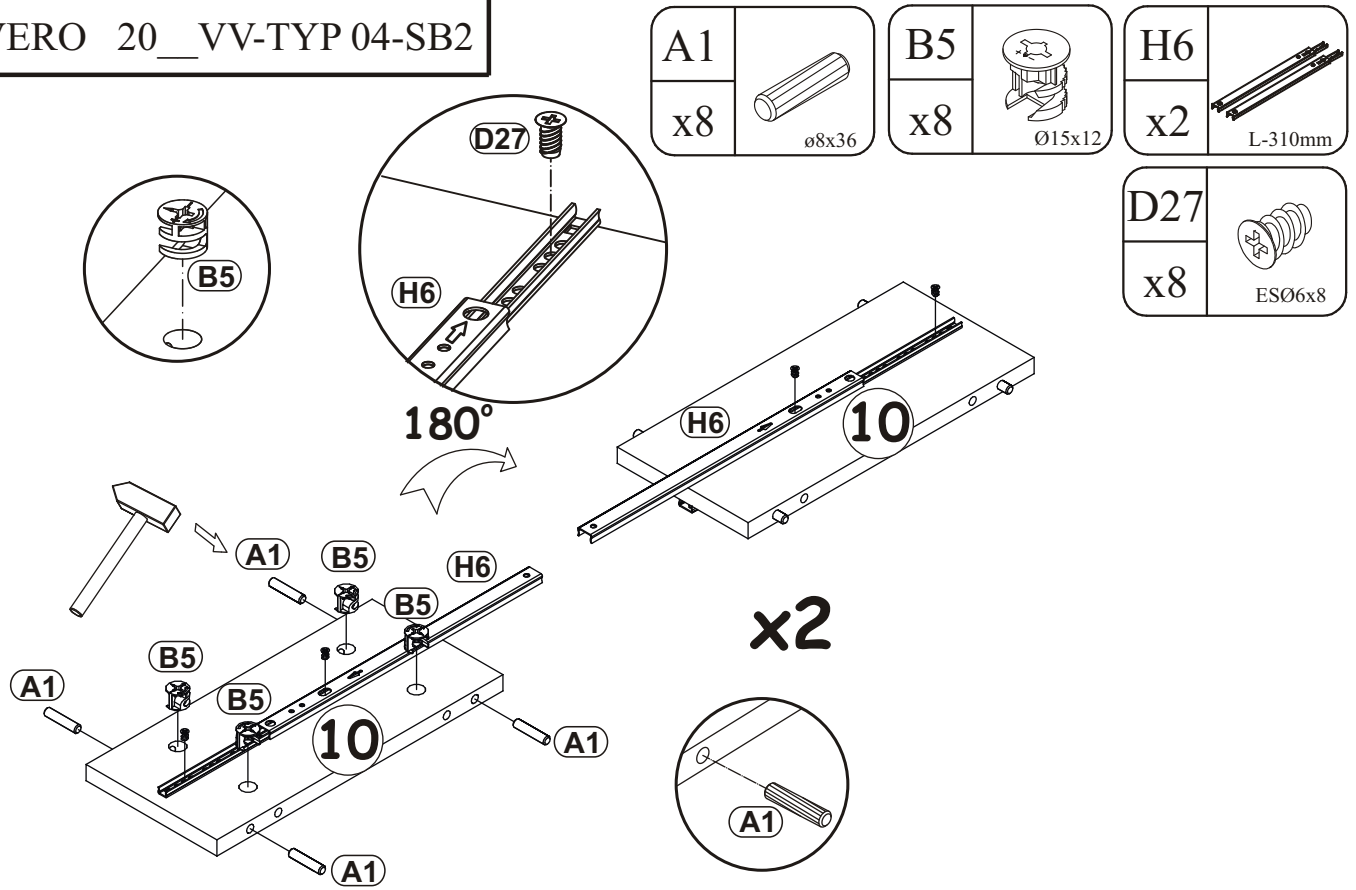


6

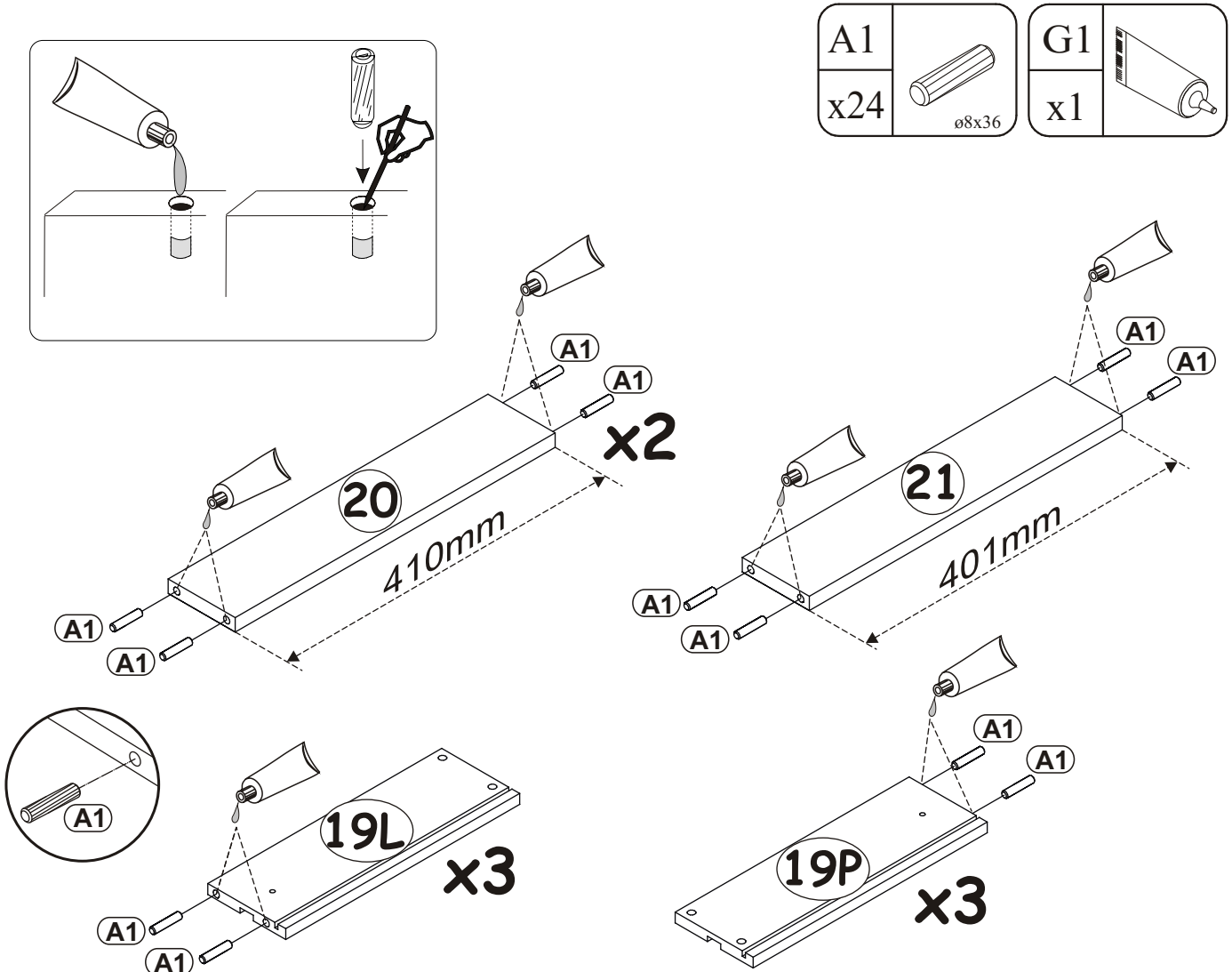
A1		B5	
x2	ø8x36	x4	Ø15x12

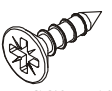


7

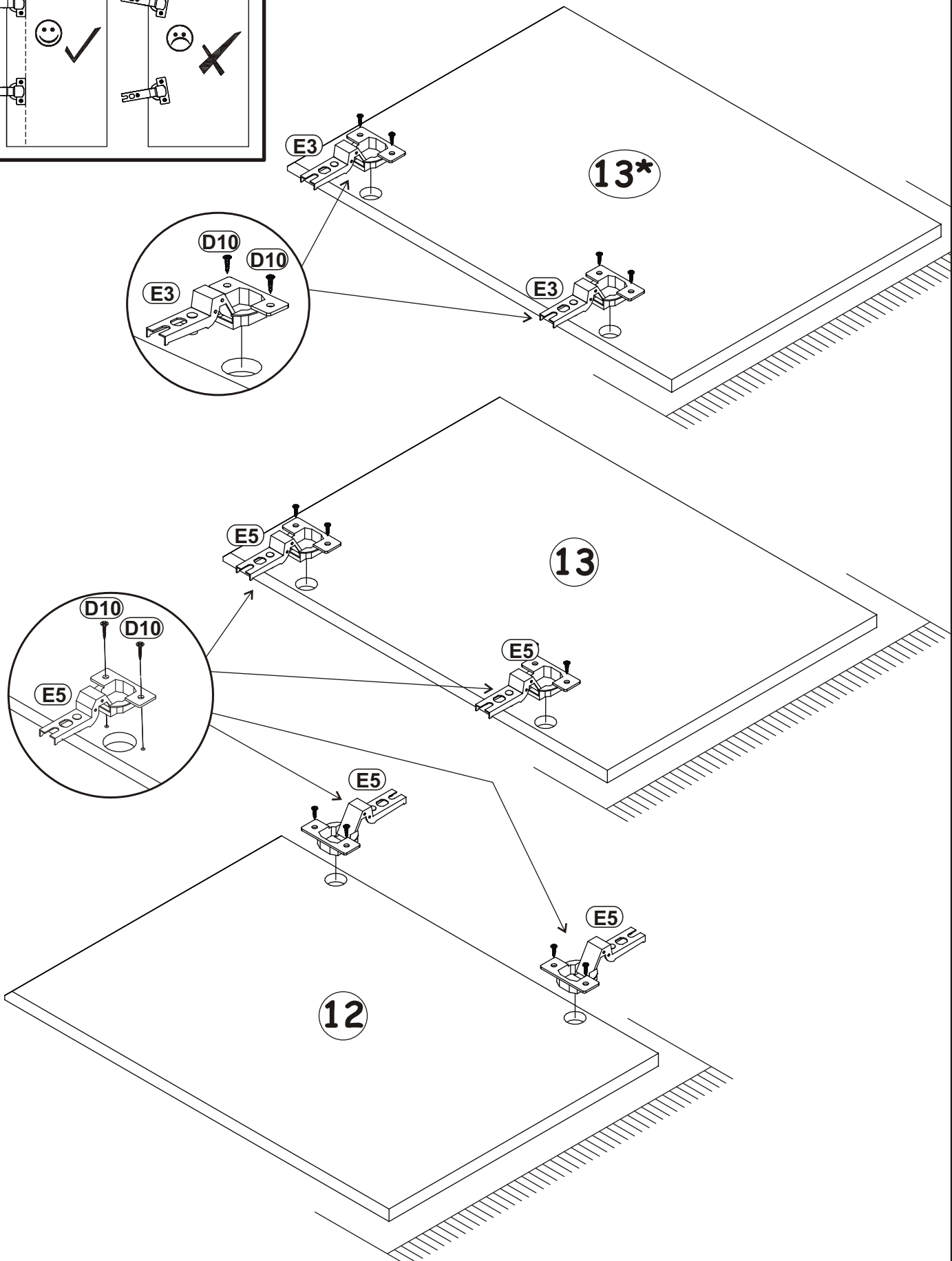
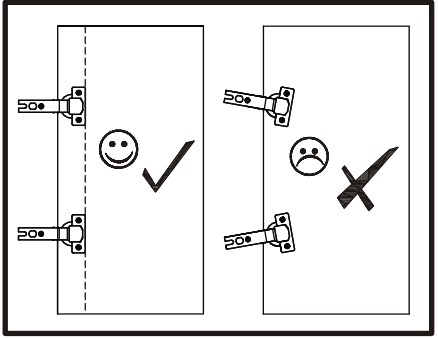


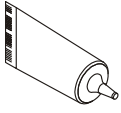
8



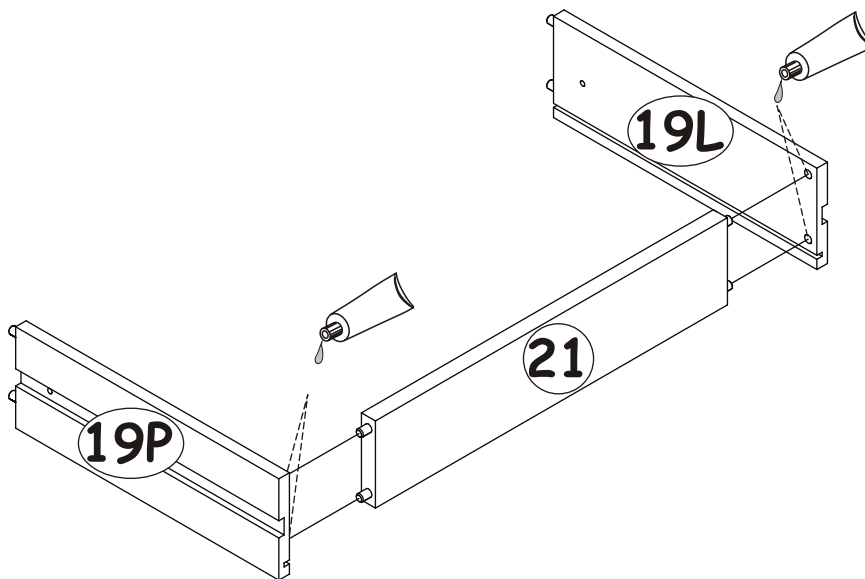
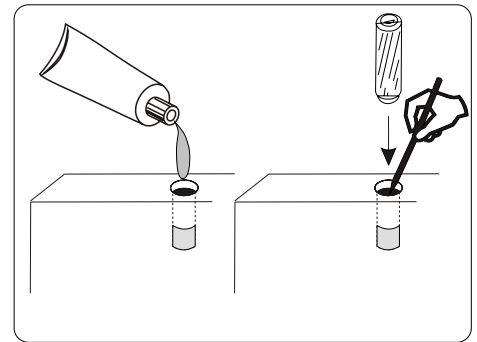
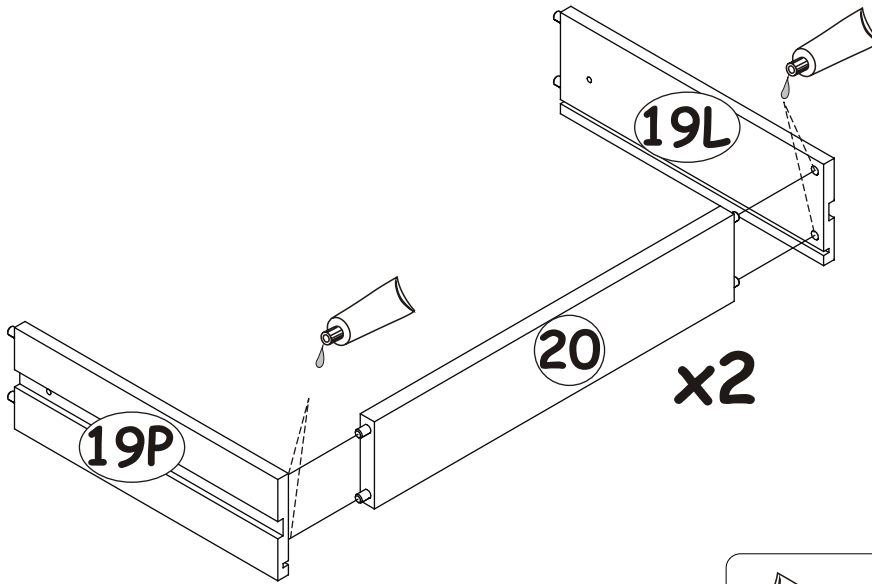
E3	Ø26 H=8	E5	Ø26 H=16	D10	 USØ3,5x13
x2		x4		x12	

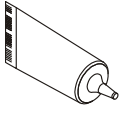
9



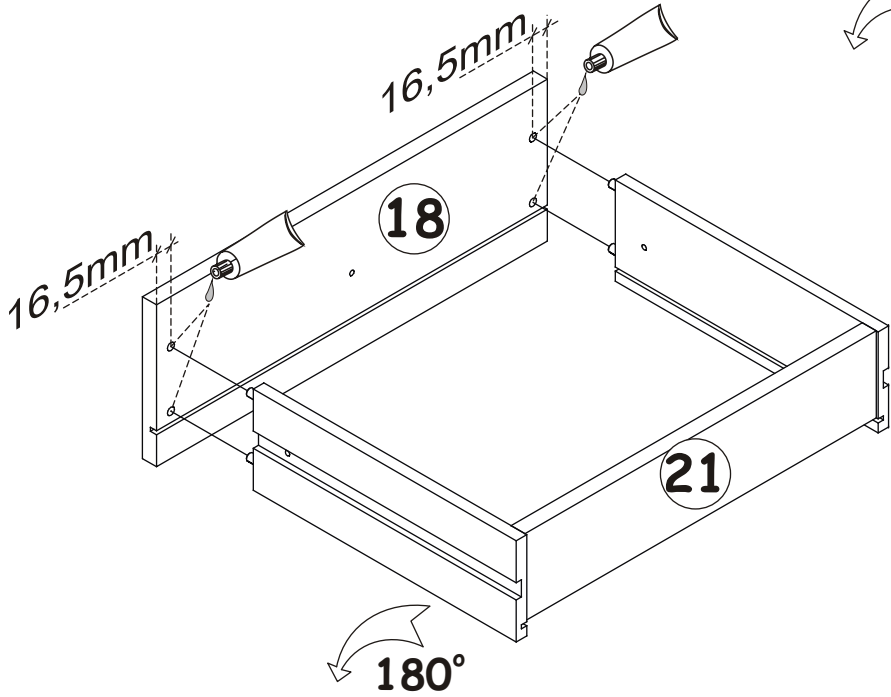
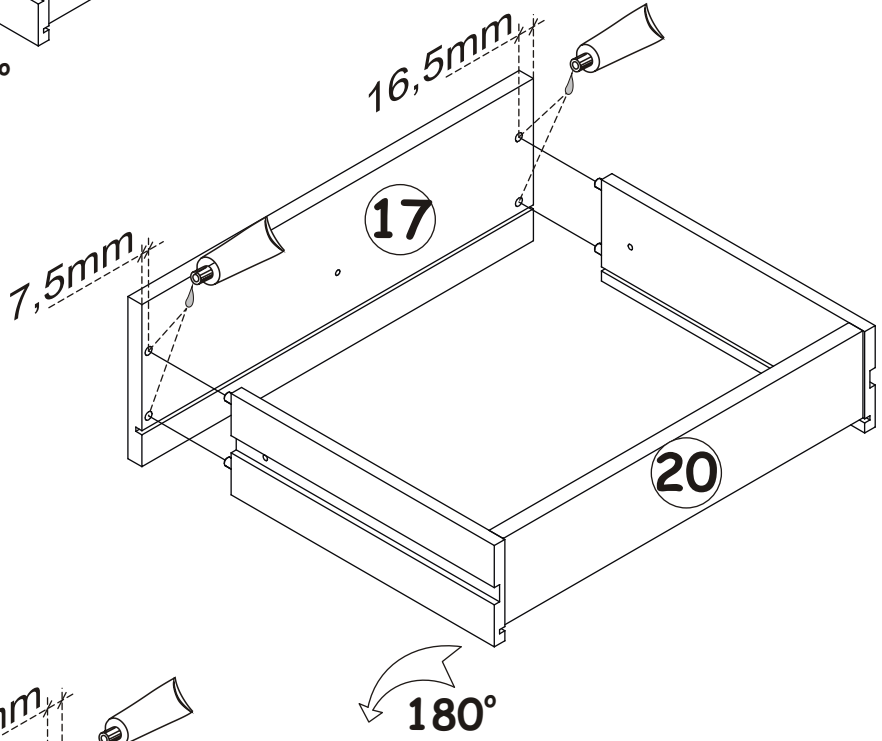
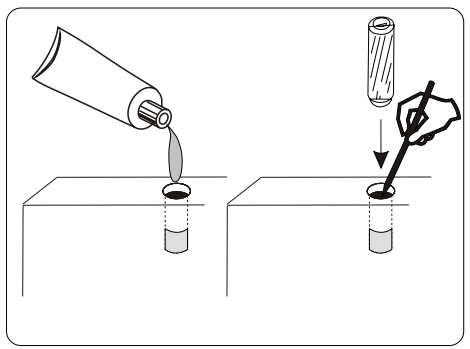
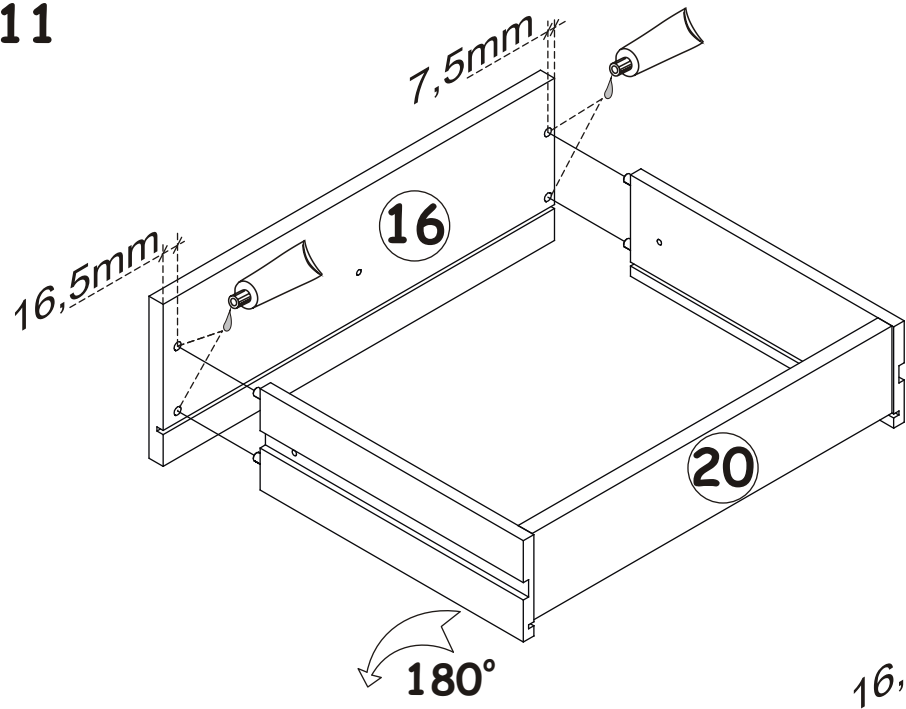
G1	
x1	

10

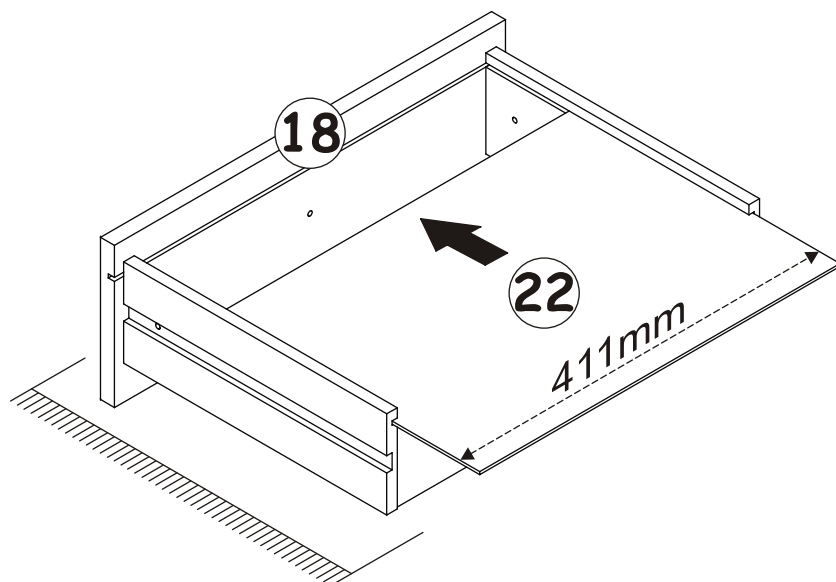
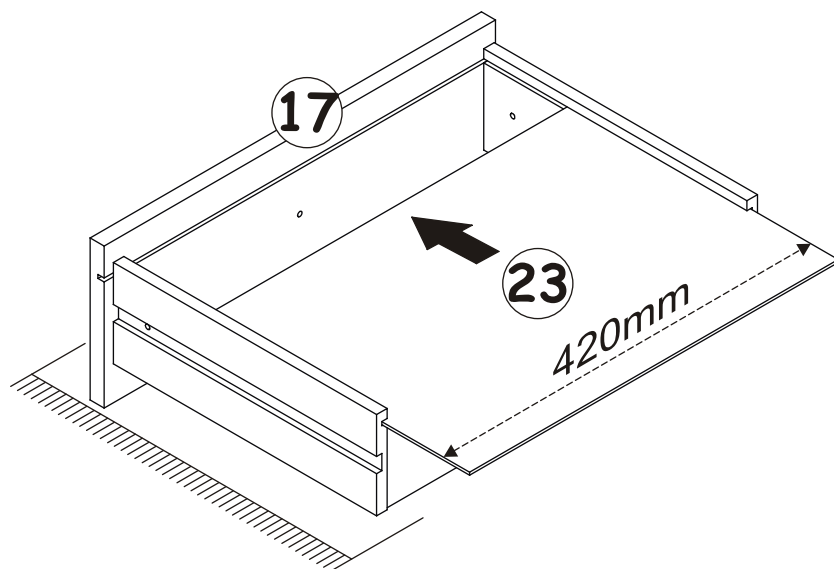
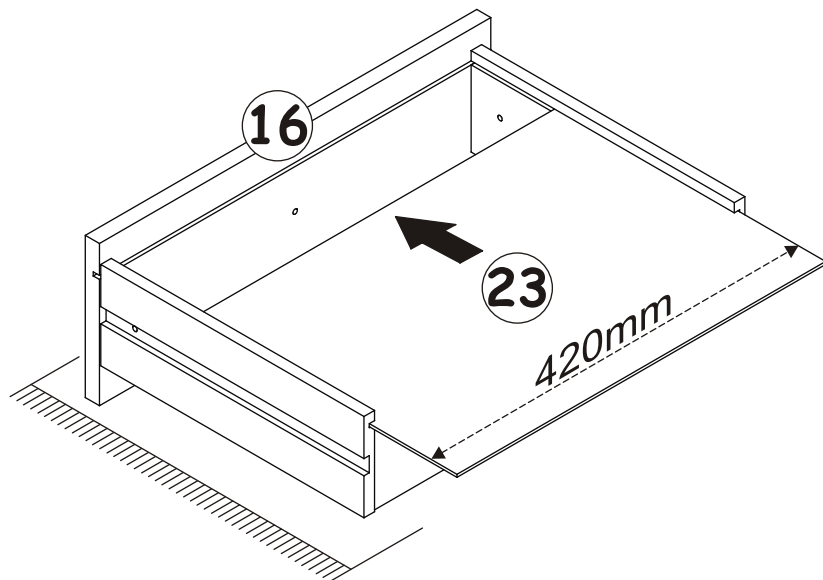


G1	
x1	

11




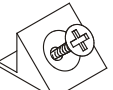
12

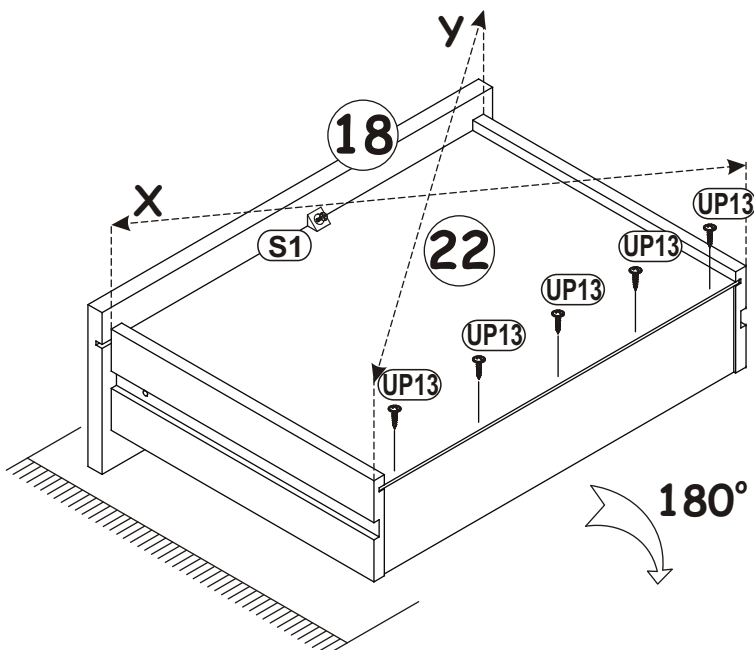
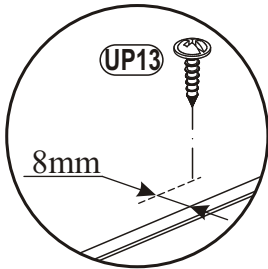
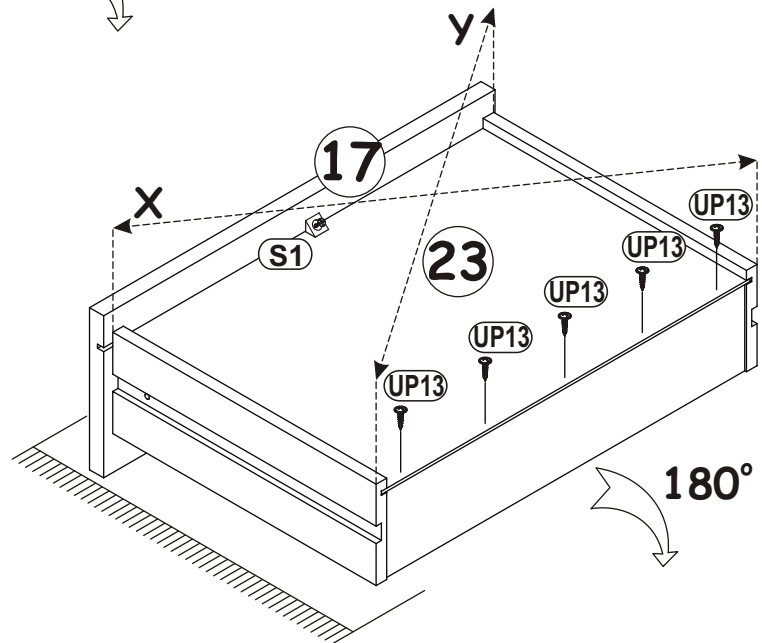
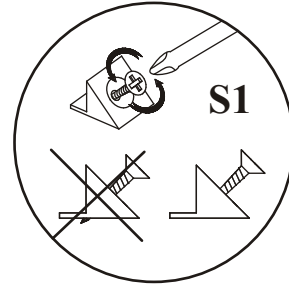
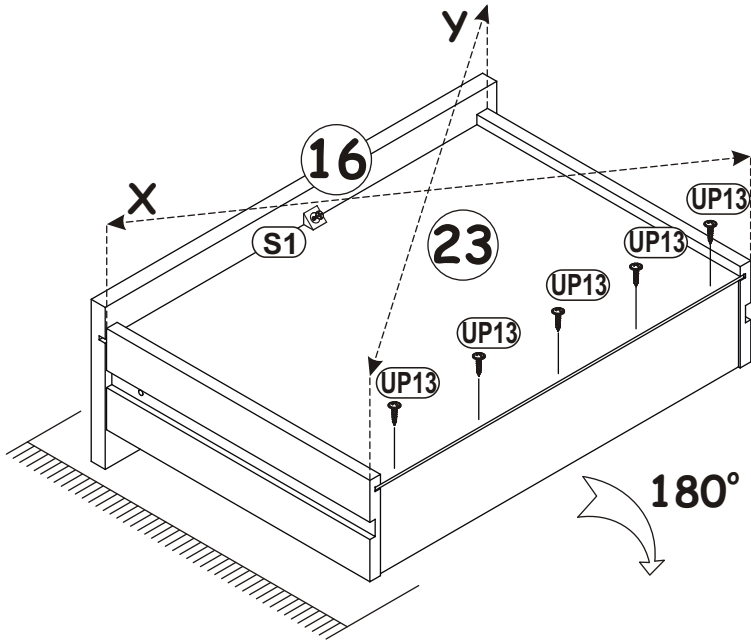


13


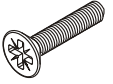


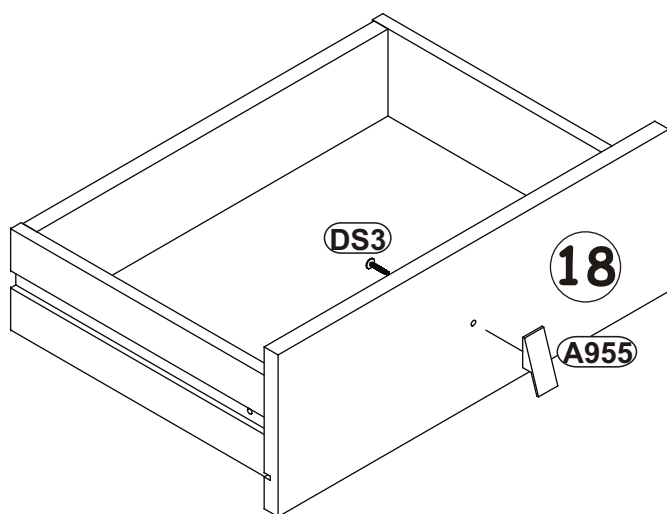
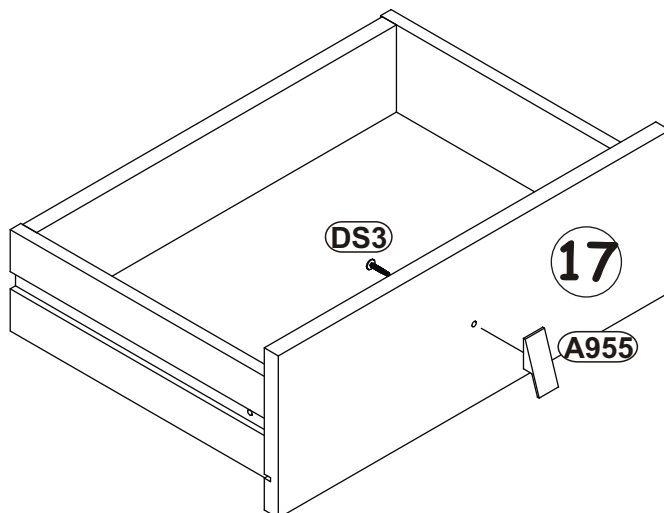
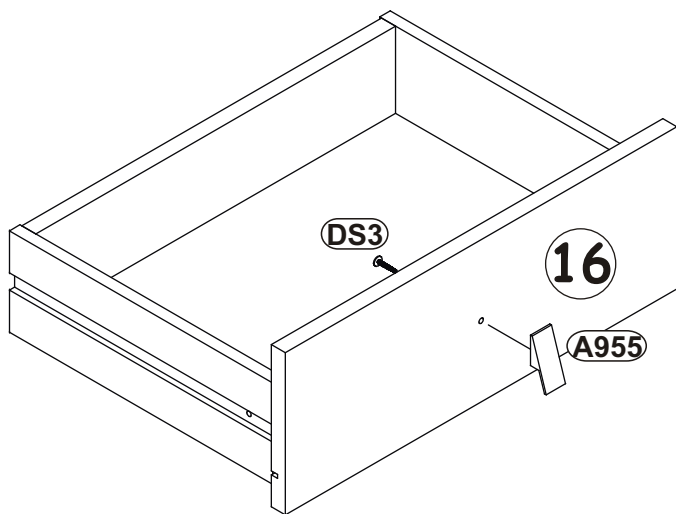
UP13	
x15	UPØ3x16



S1	
x3	



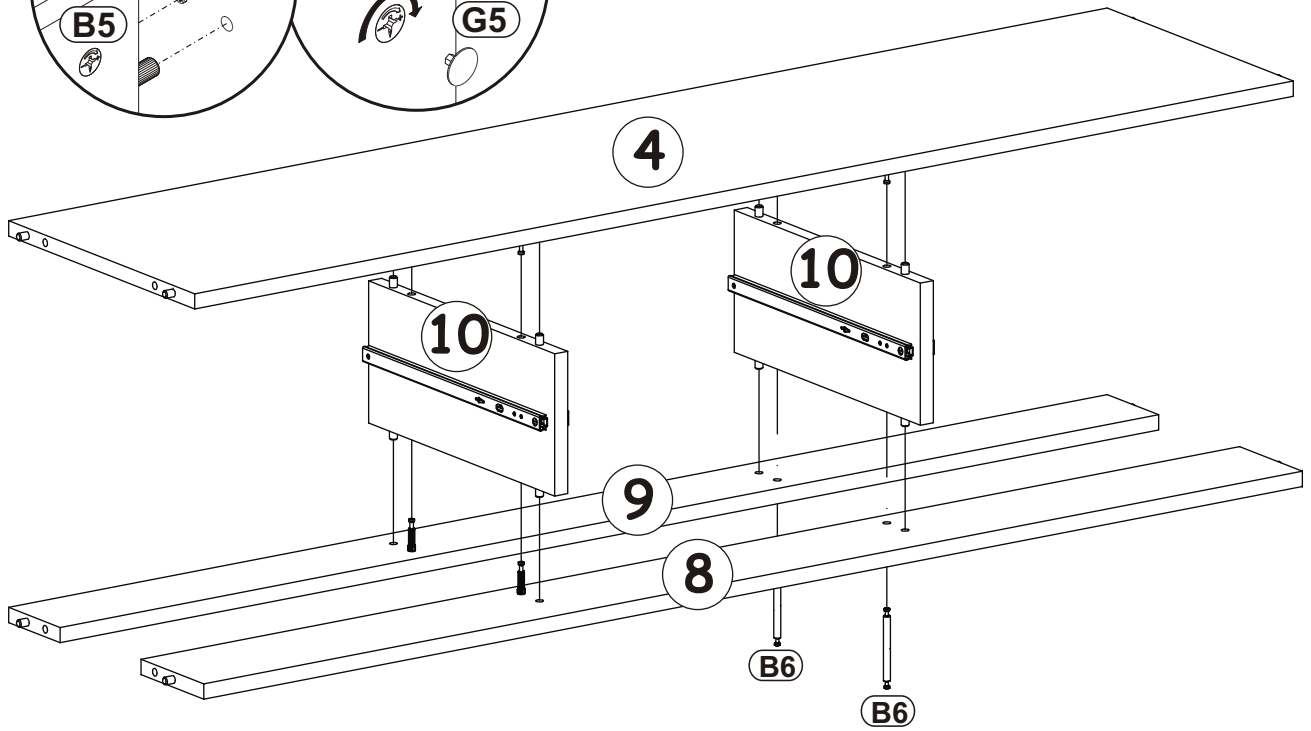
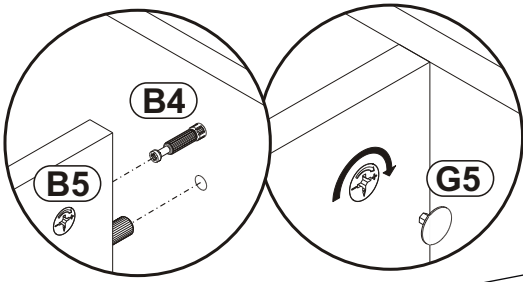
14

A955		DS3	
x3		x3	WSM4x20

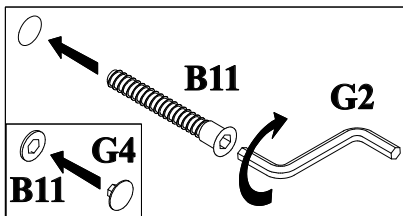


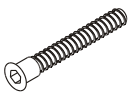

G5		B6	
x8		x2	Ø7x76

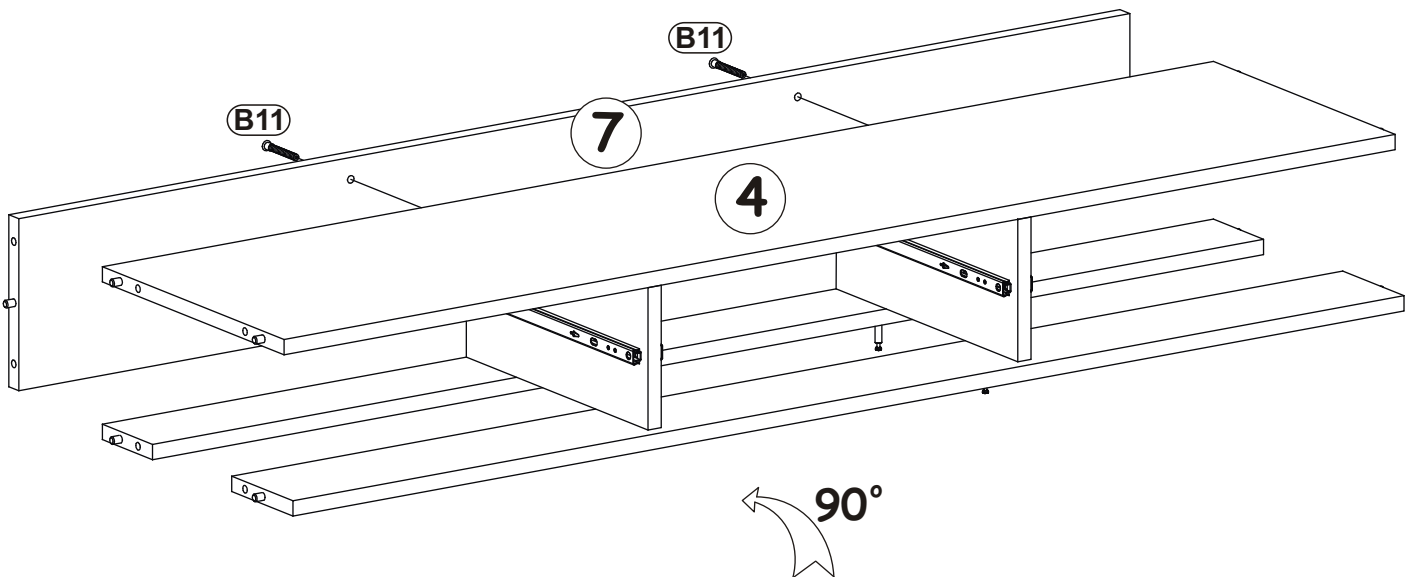
15

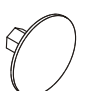


16

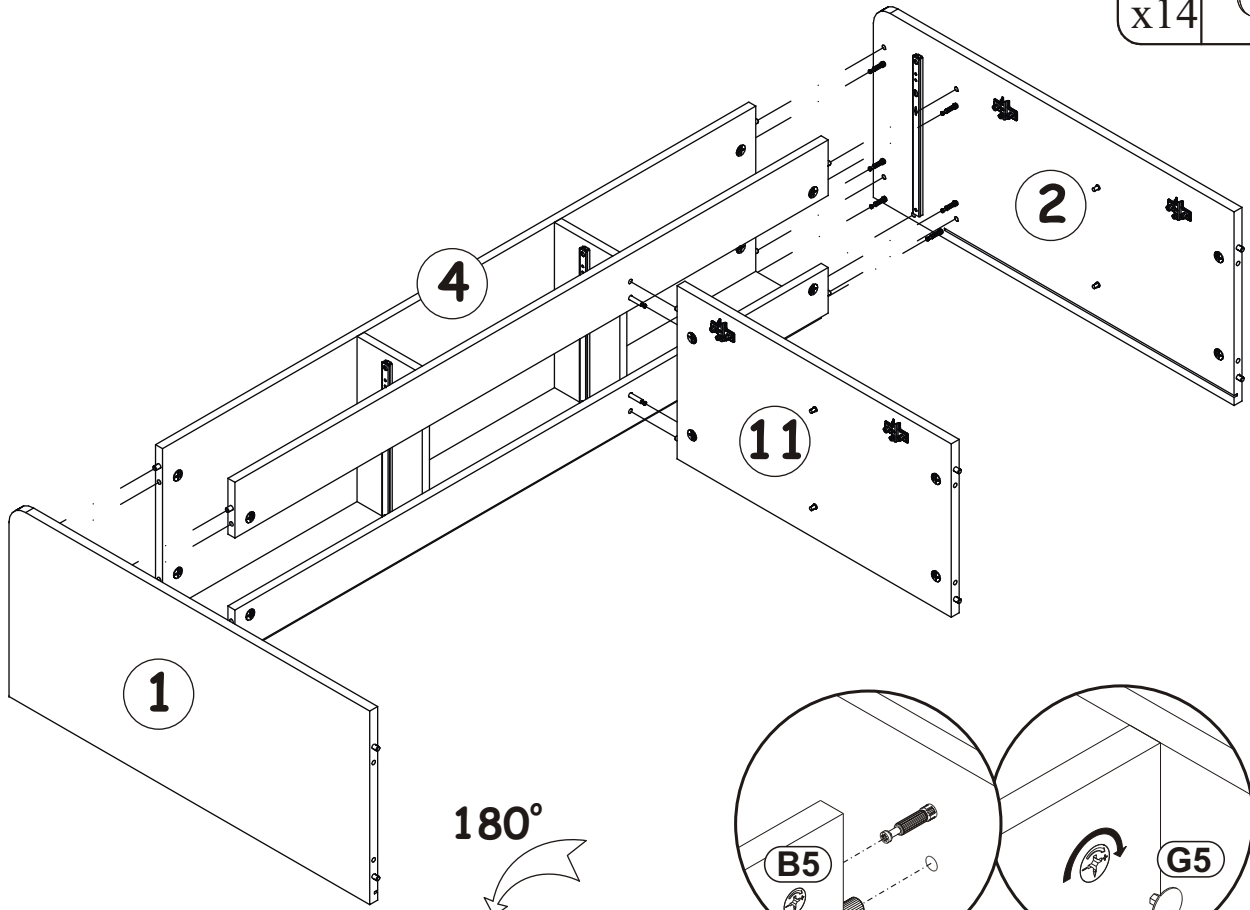


B11		G4	
x2	Ø7x50	x2	

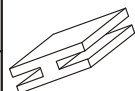



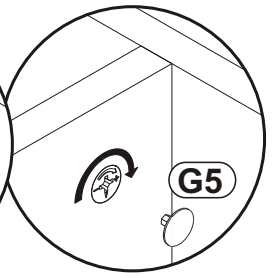
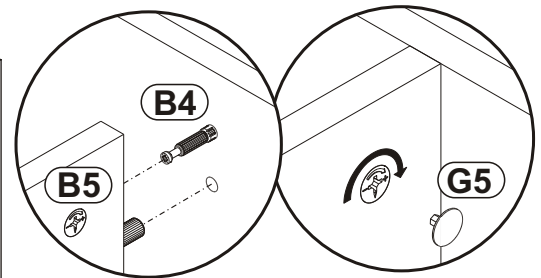
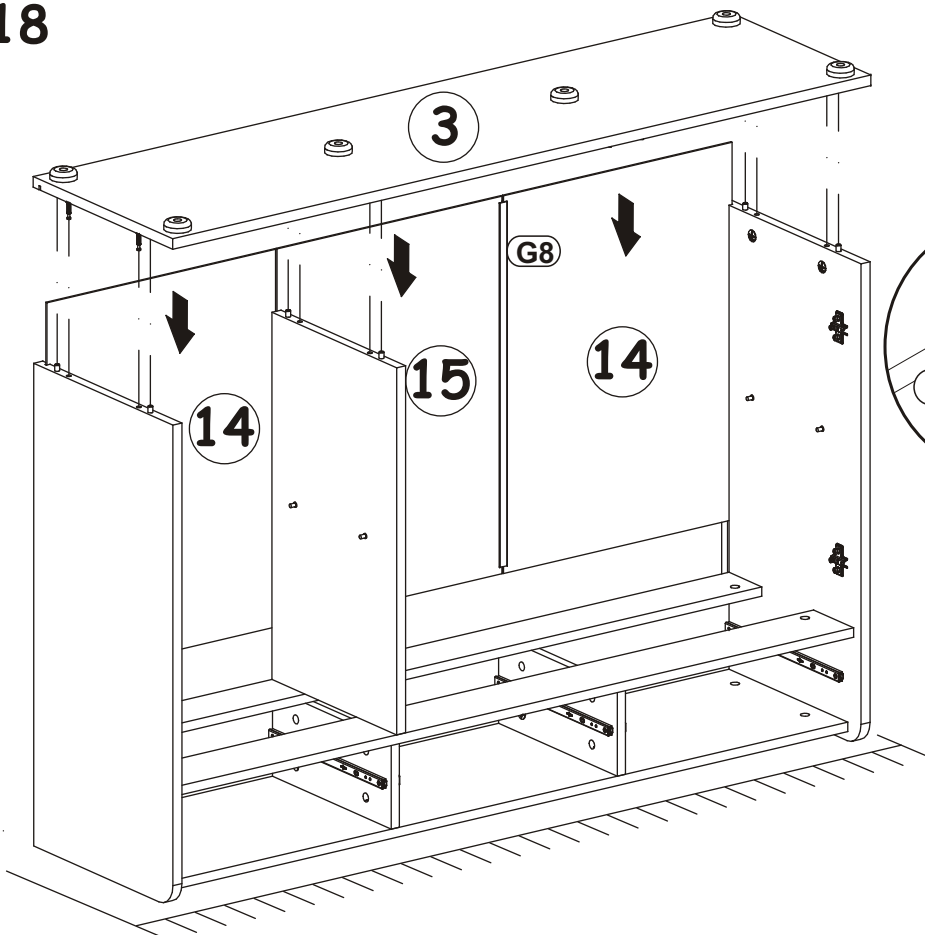
G5	
x14	

17

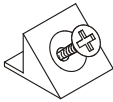


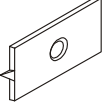
18

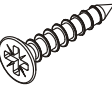
G8		G5	
x1		x6	




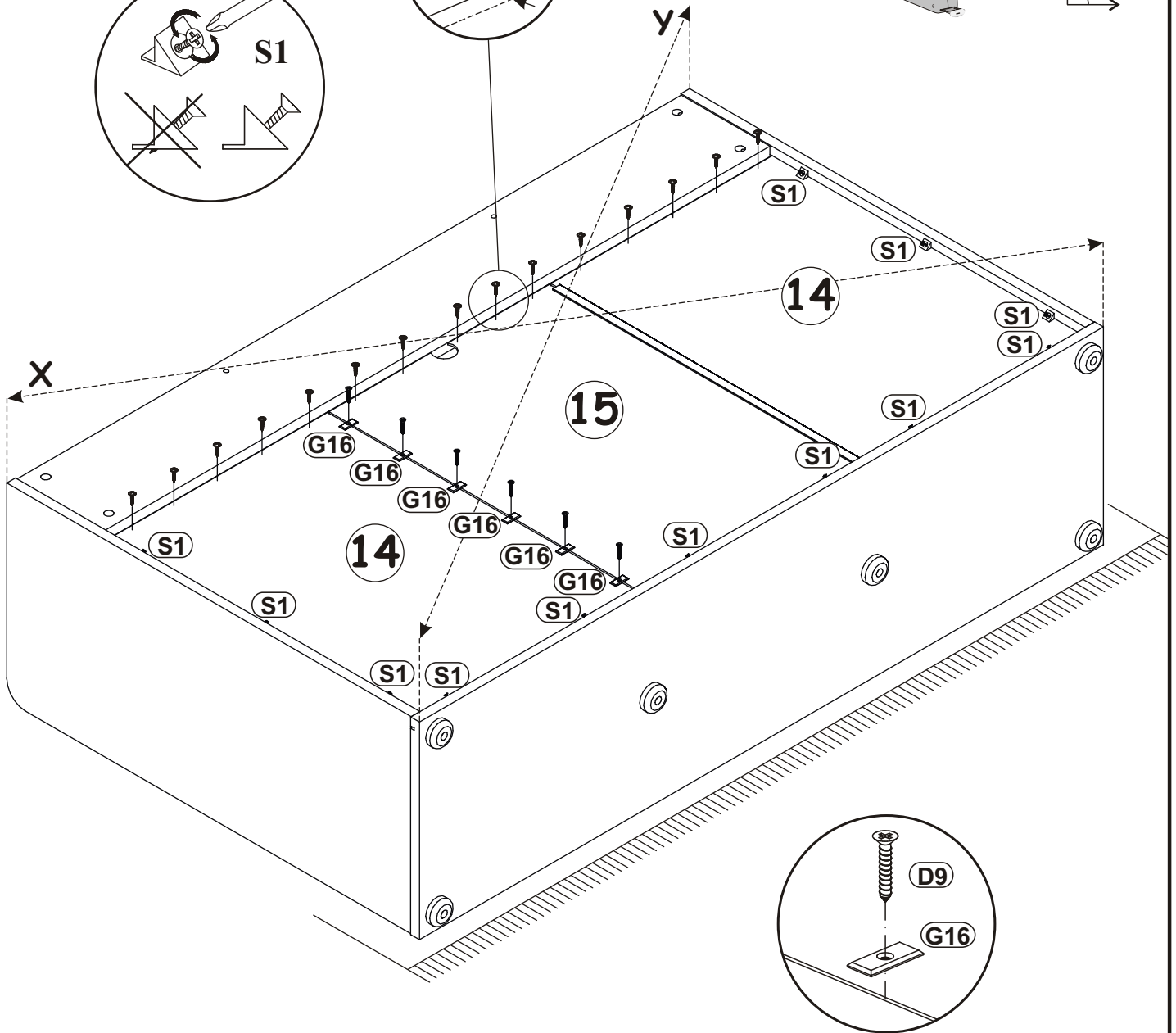
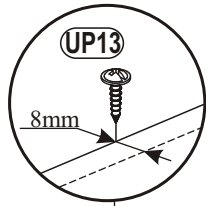
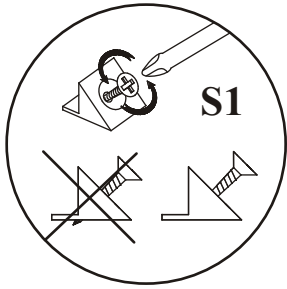
19

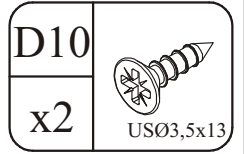
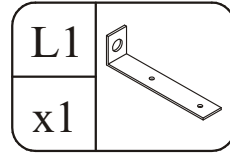
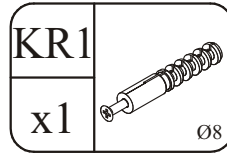
S1	
x12	

G16	
x6	

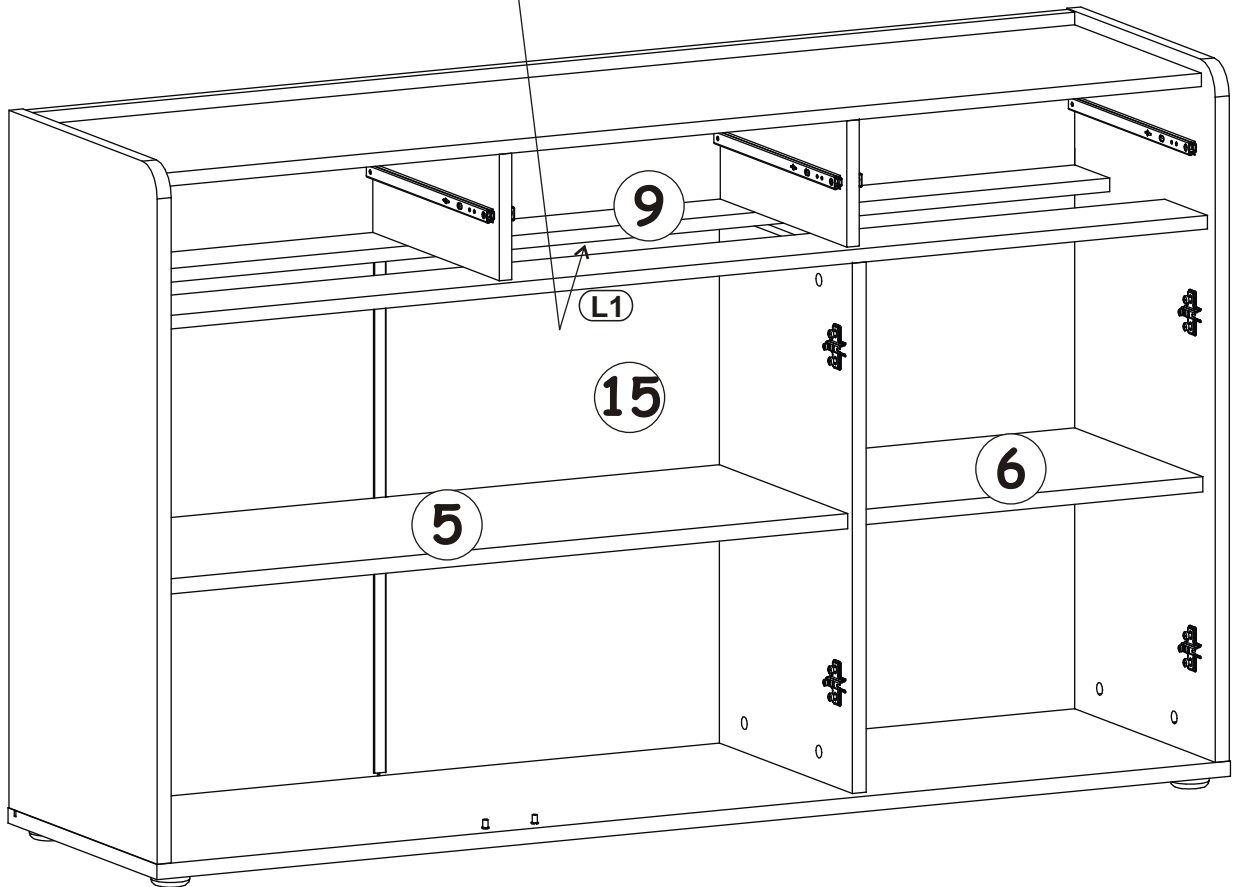
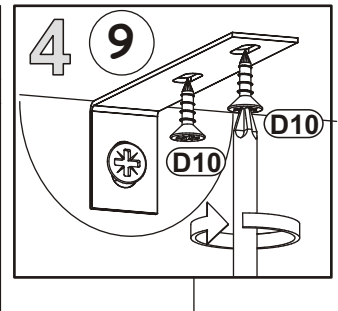
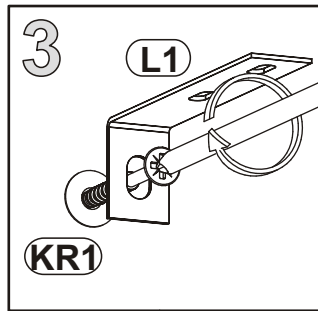
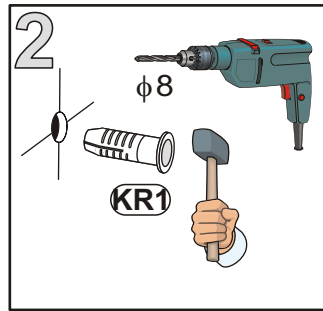
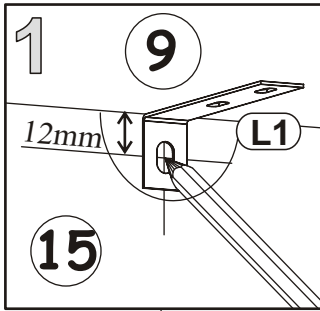
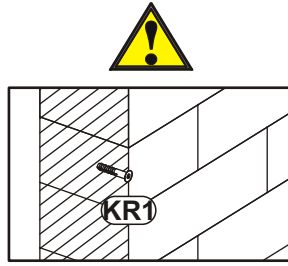
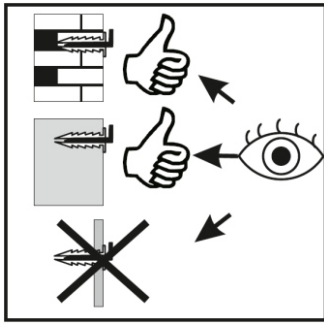
D9	
x6	USØ3x20


UP13	
x15	UPØ3x16





20



D18	
x6	M4x9

