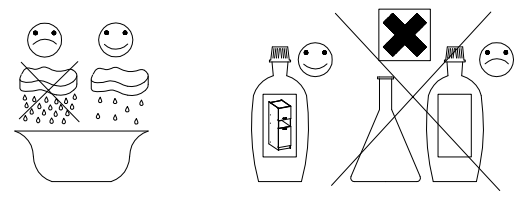
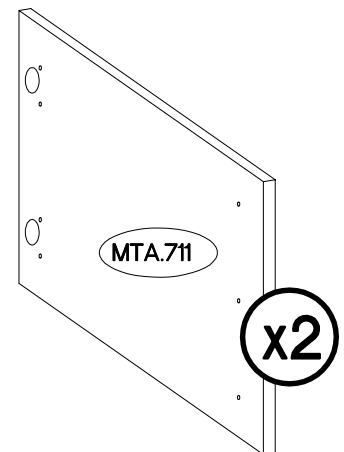
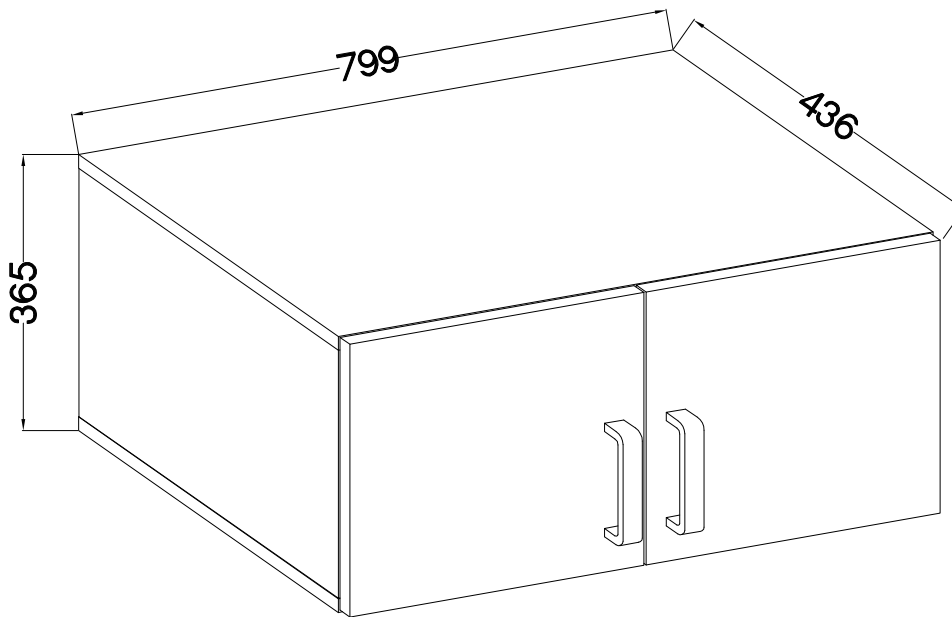


MALTA
front



TYP 112



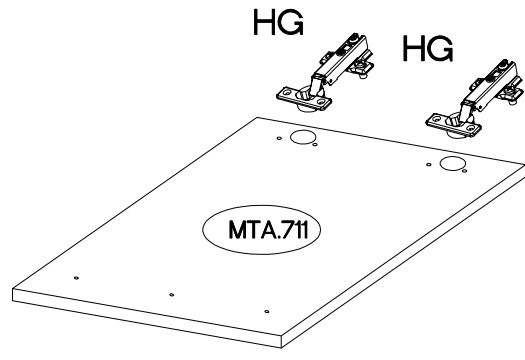
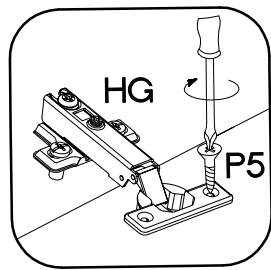
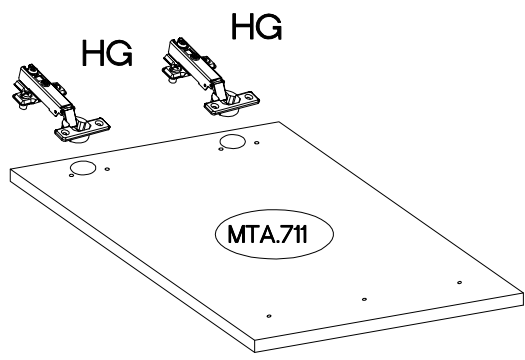
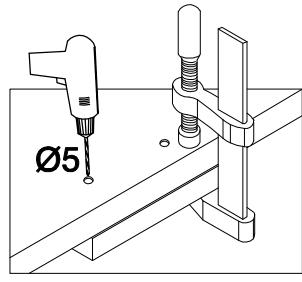
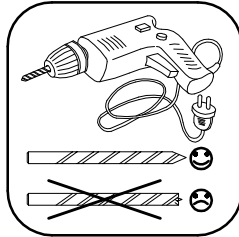
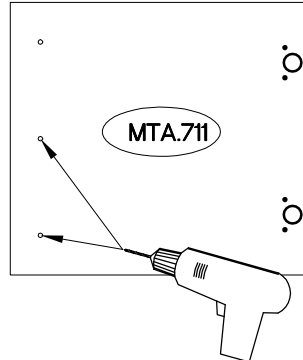
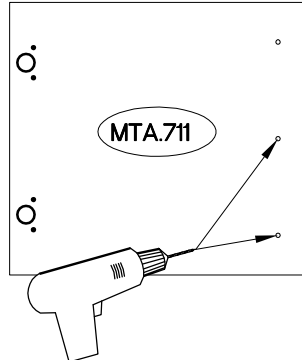
 ‡35/0mm [CD] HG	 ‡3.5x13mm P5	 L=128mm S	 M4x22mm U
4	8	2	4

Ersatzteil Nummer	Dimension
MTA.711 x2	361x395x16

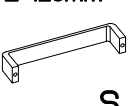

ISM-MTA-16

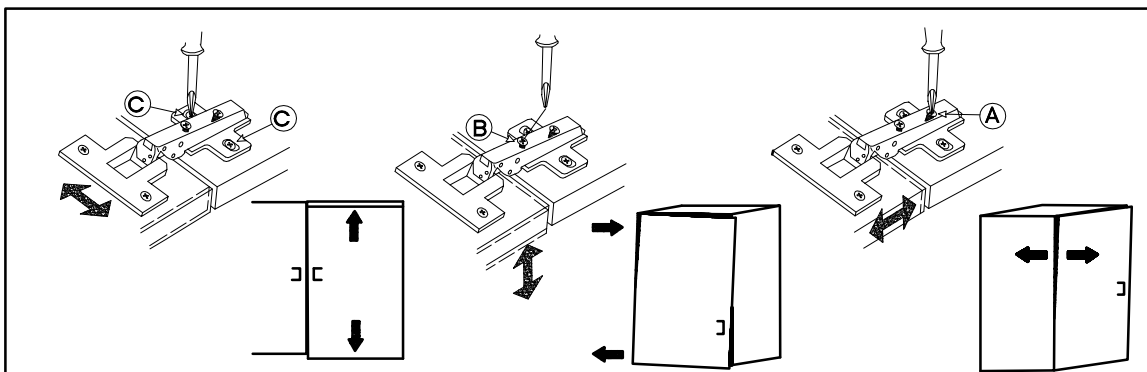
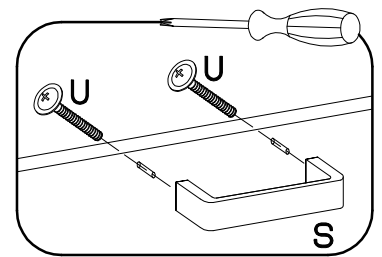
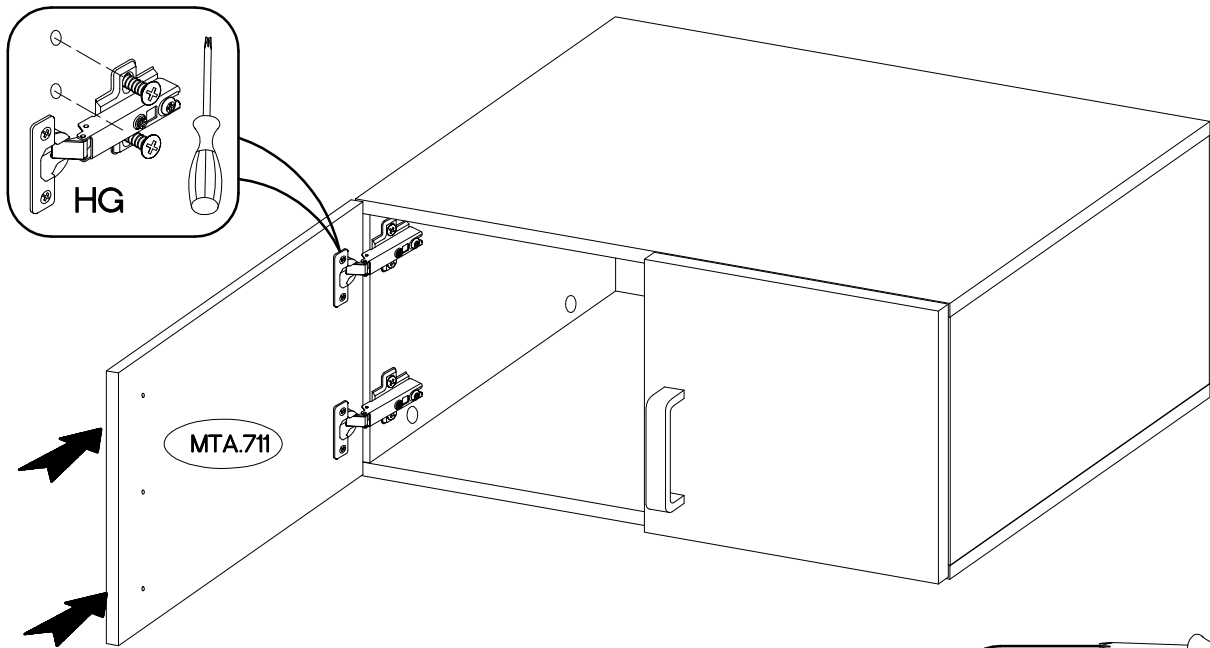
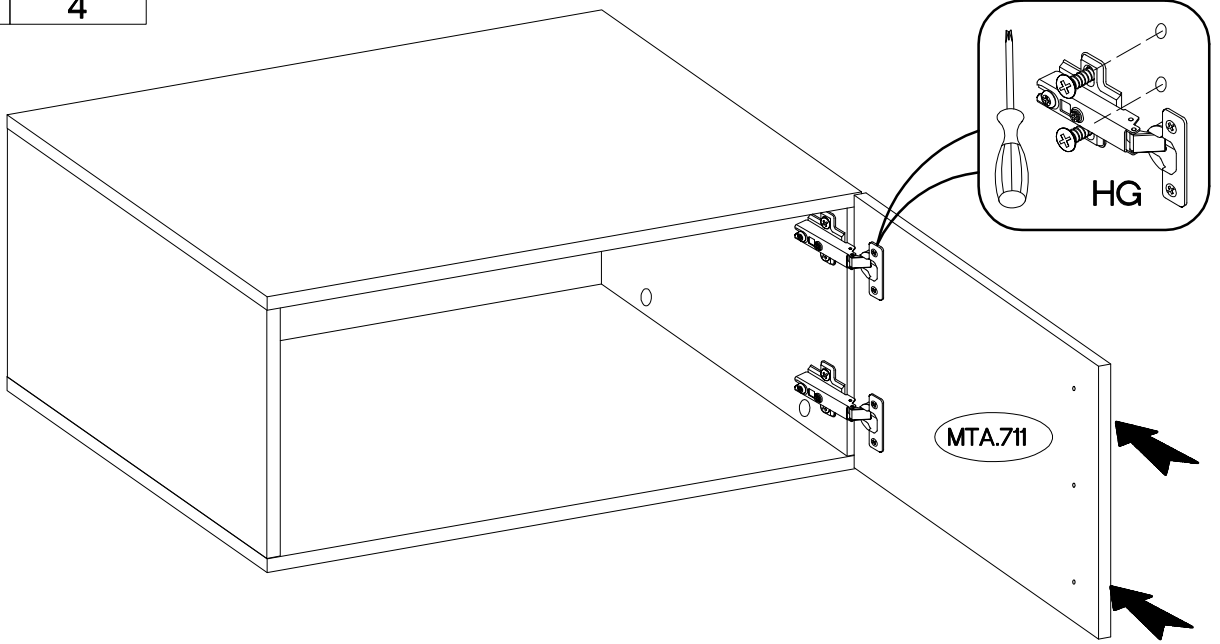
1

+35/0mm	+3.5x13mm
[CD] HG	P5
4	8



2

L=128mm	M4x22mm
	
S	U
2	4



3

OPTION

