

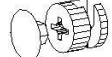

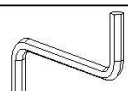




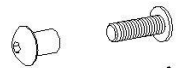
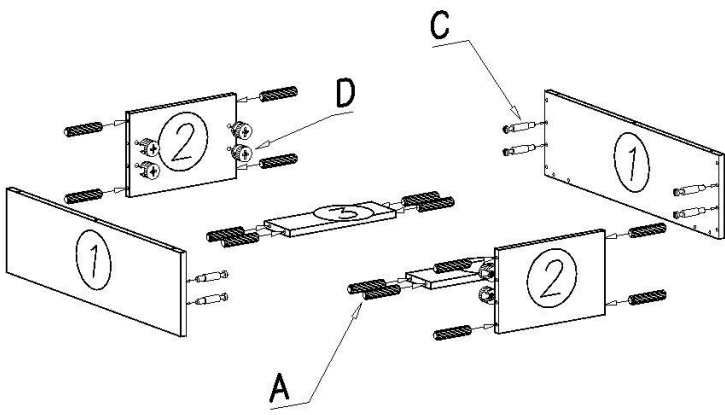


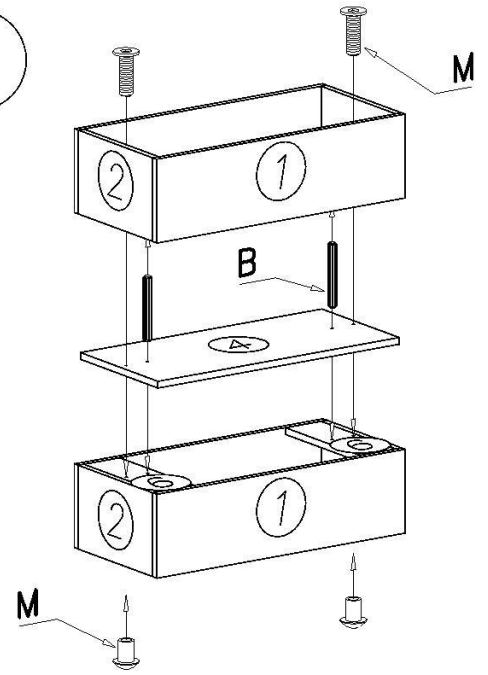
E  6,3 x 50 x12	C  x16	D  x16	B  8 x 60 x2		
W  x1	F  x4	A  8 x 30 x32	Z  GLUE, LEIM, LEPIDLO, LIM x1	K  6,3 x 30 x14	M  x2

I

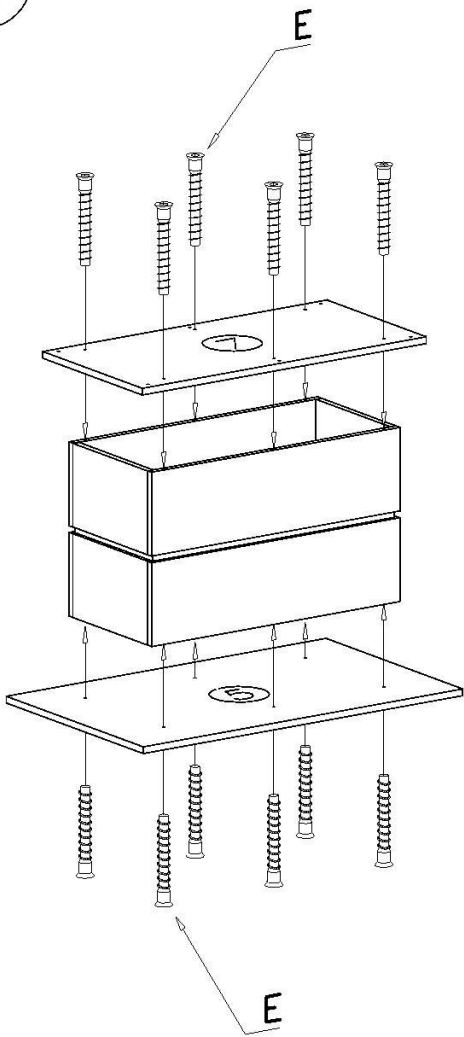
x2



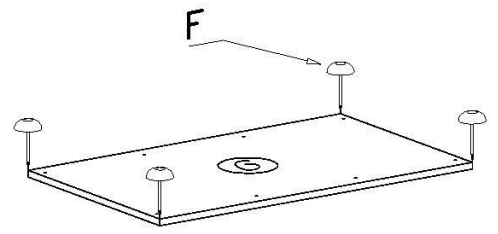
II



III



IV



V

