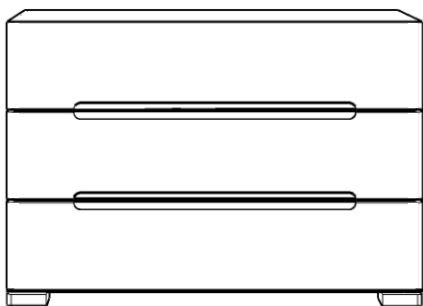
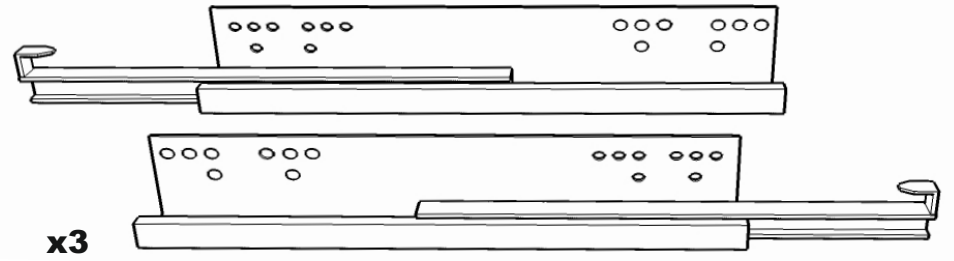
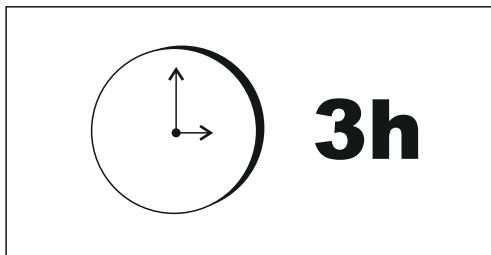
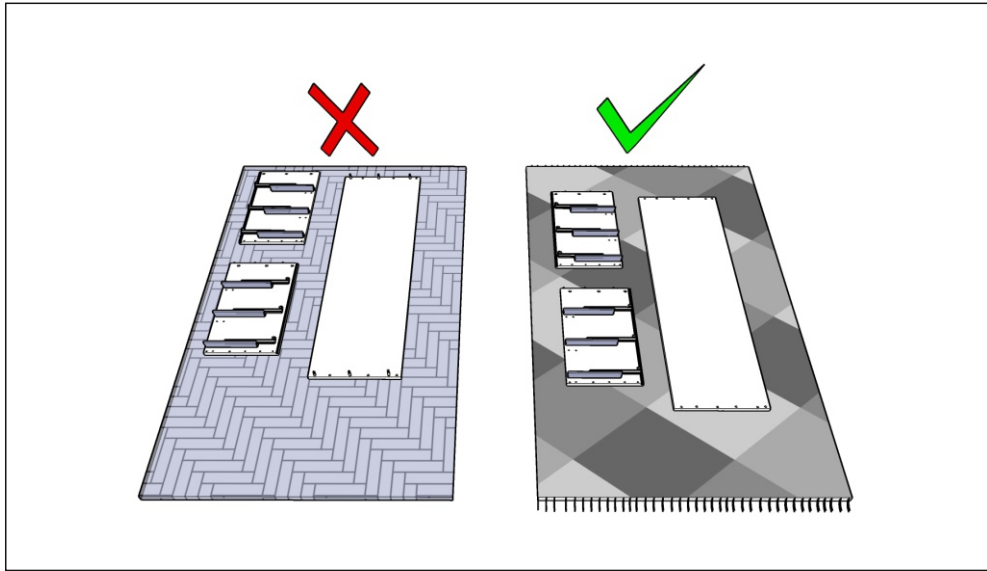
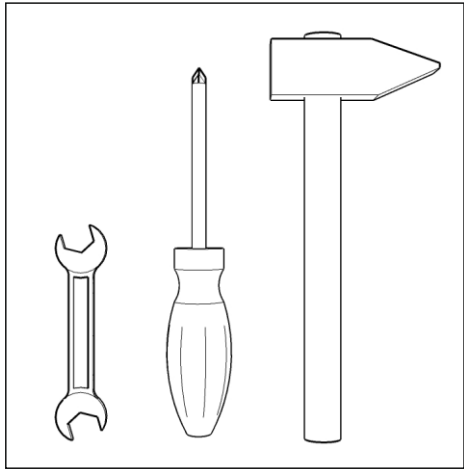


# SPARTA 3



## SPARTA 3



**Q ~30**

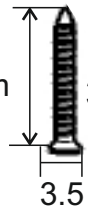


**B x4**  
3,5 x 40



**T x6**  
3,5 x 30

16mm



**D x12**  
3,5 x 16



**C x6**  
3 x 16



**Z x24**



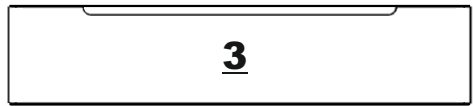
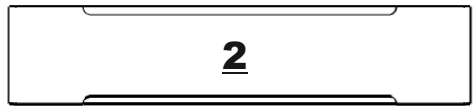
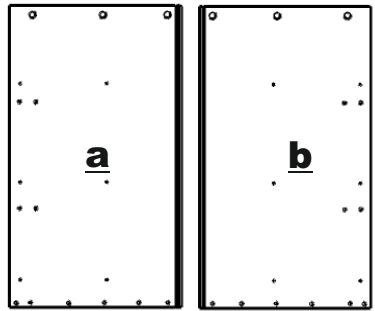
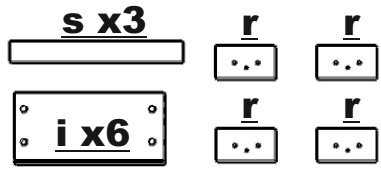
**W x24**



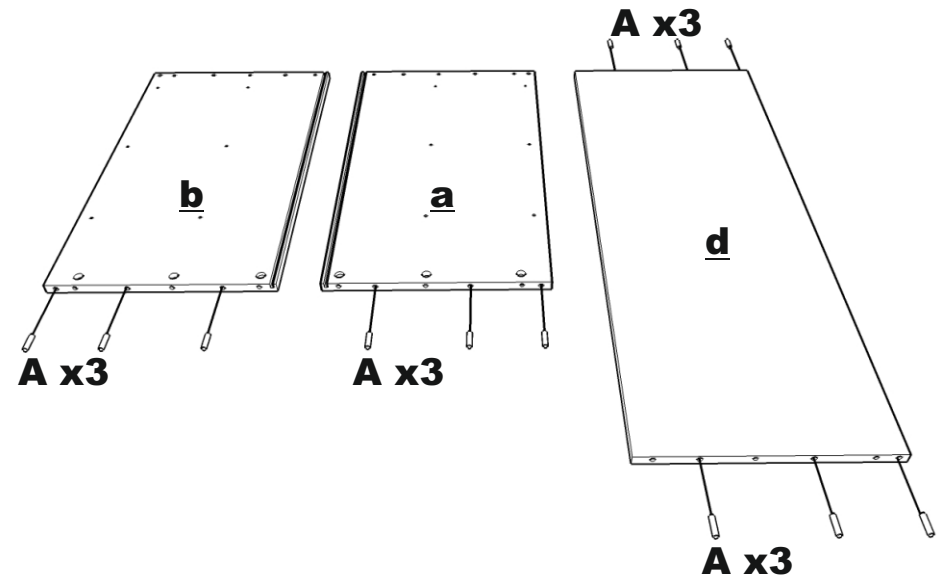
**E x6**



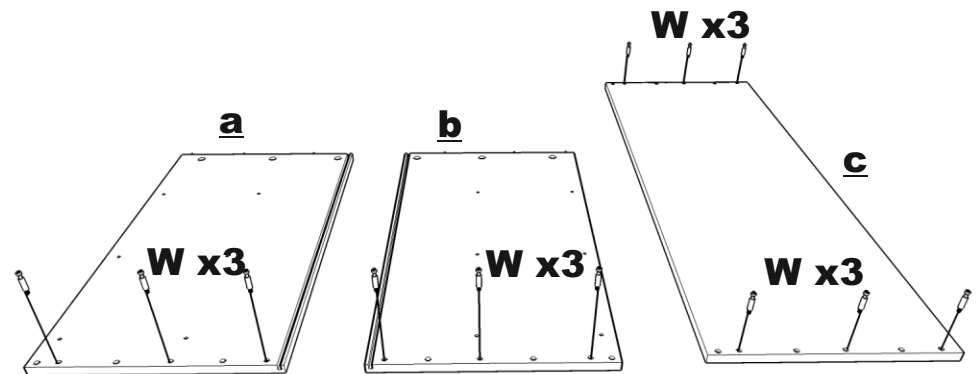
**A x44**



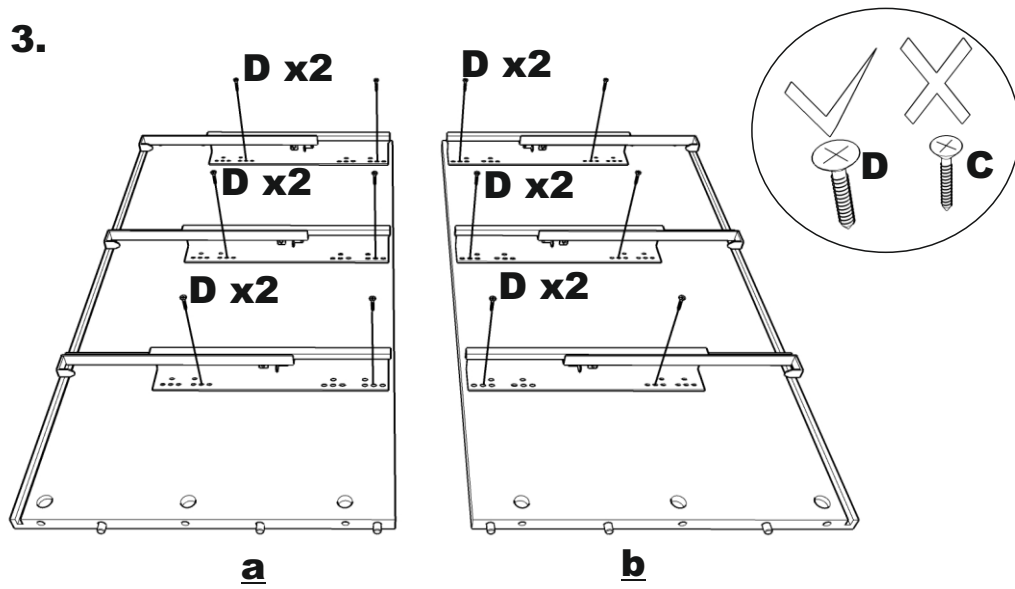
1.



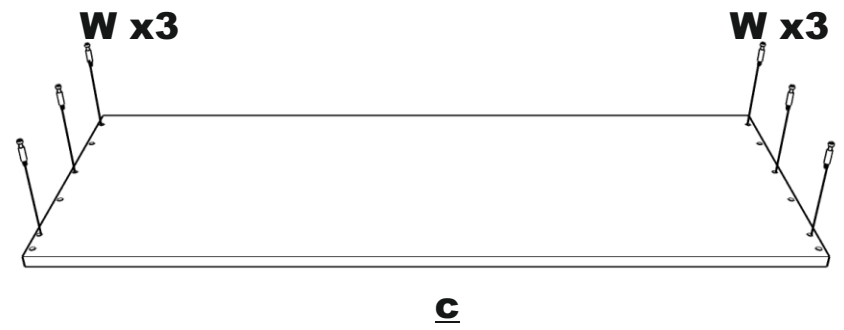
2.



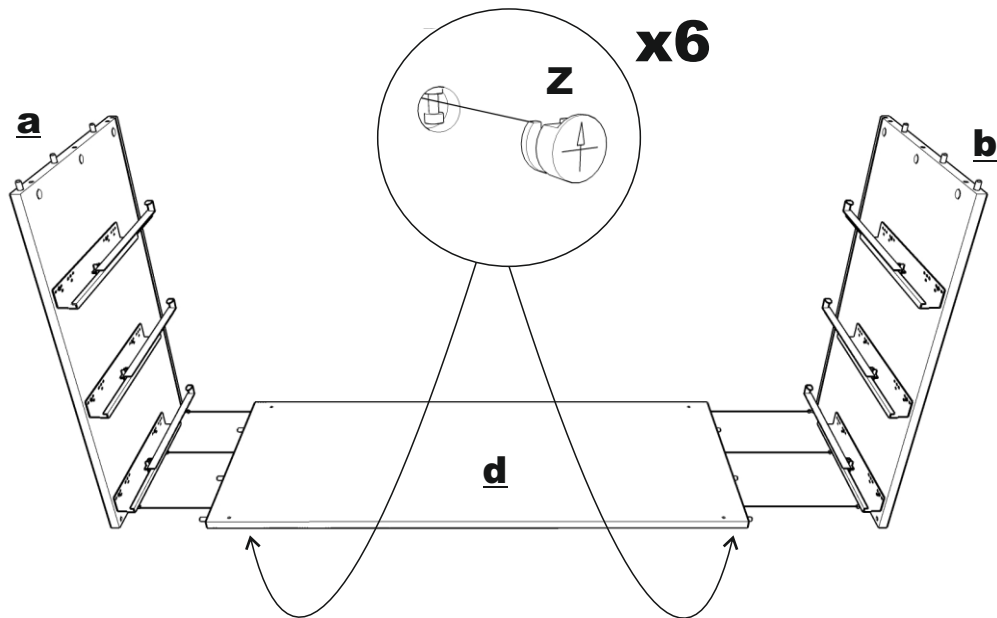
3.



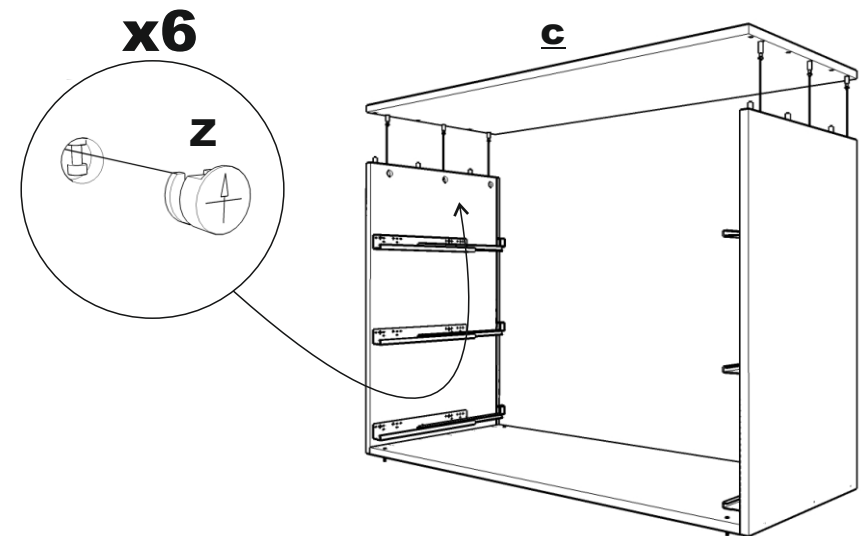
5.



4.

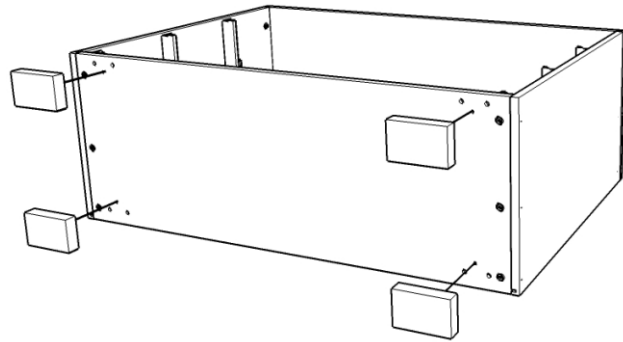
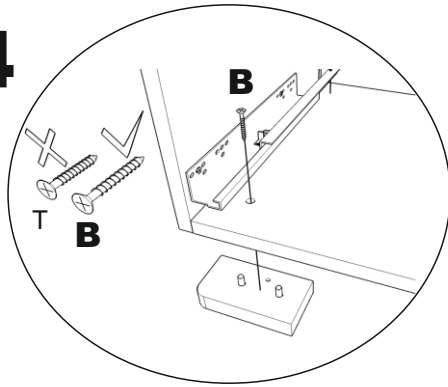
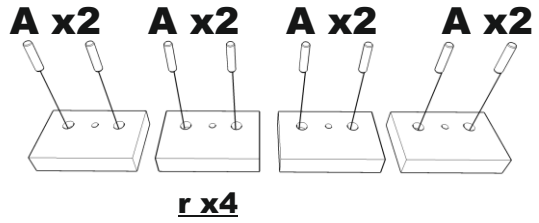


6.

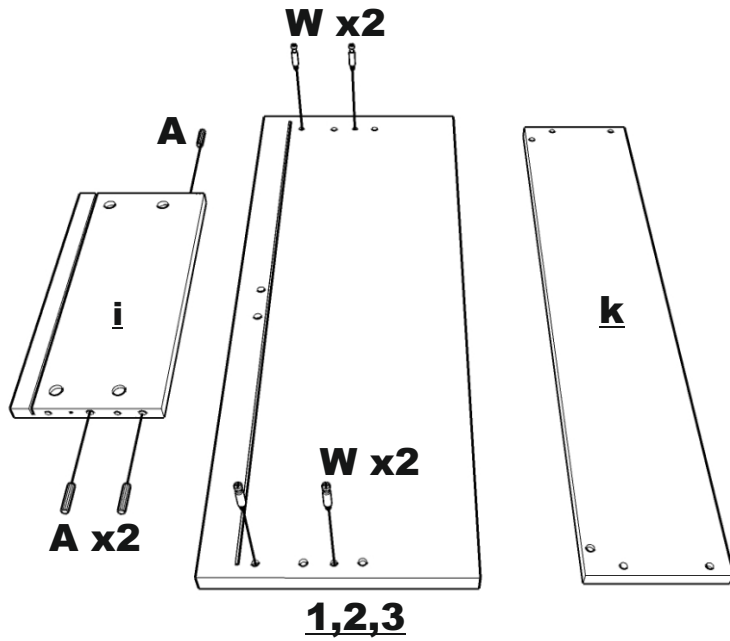


7.

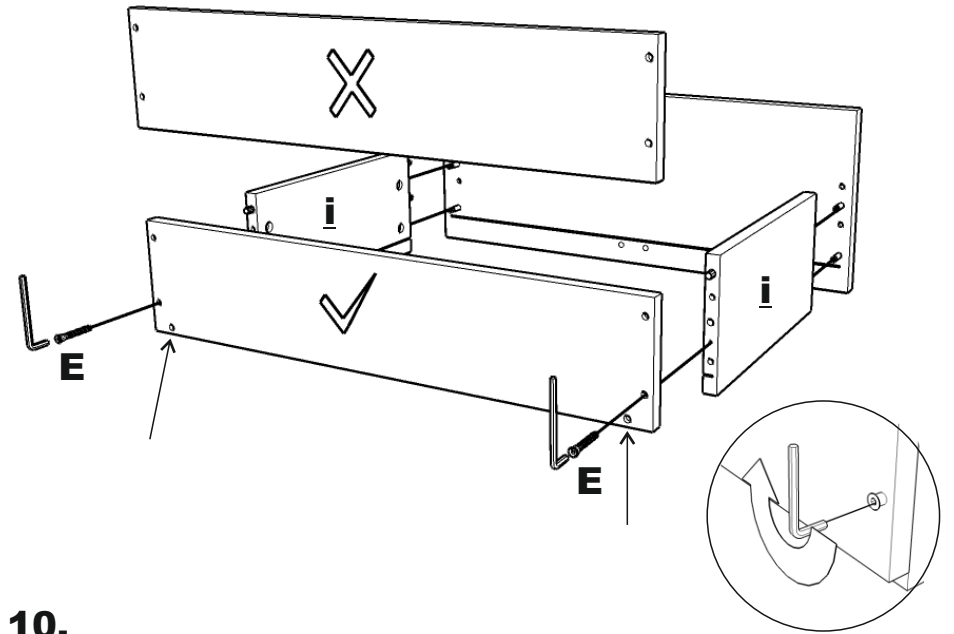
x4



8.

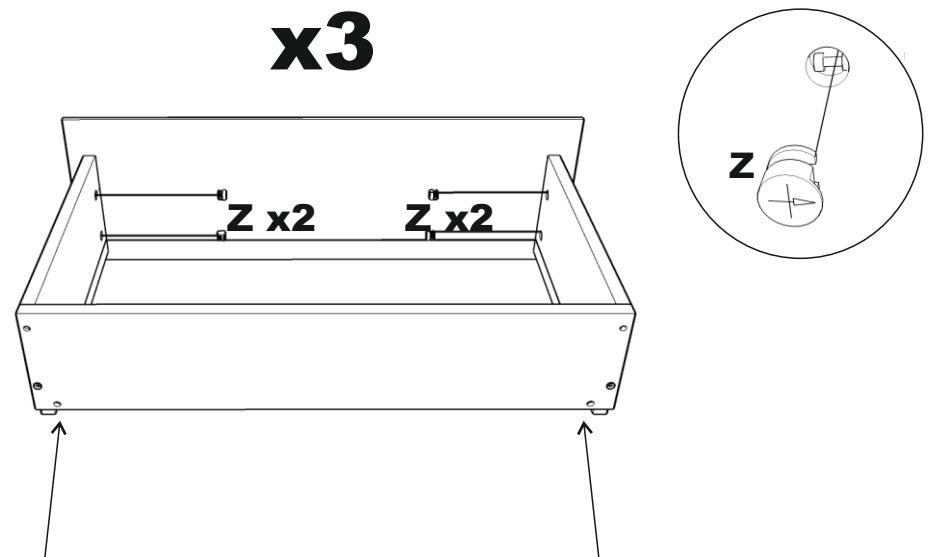


9.

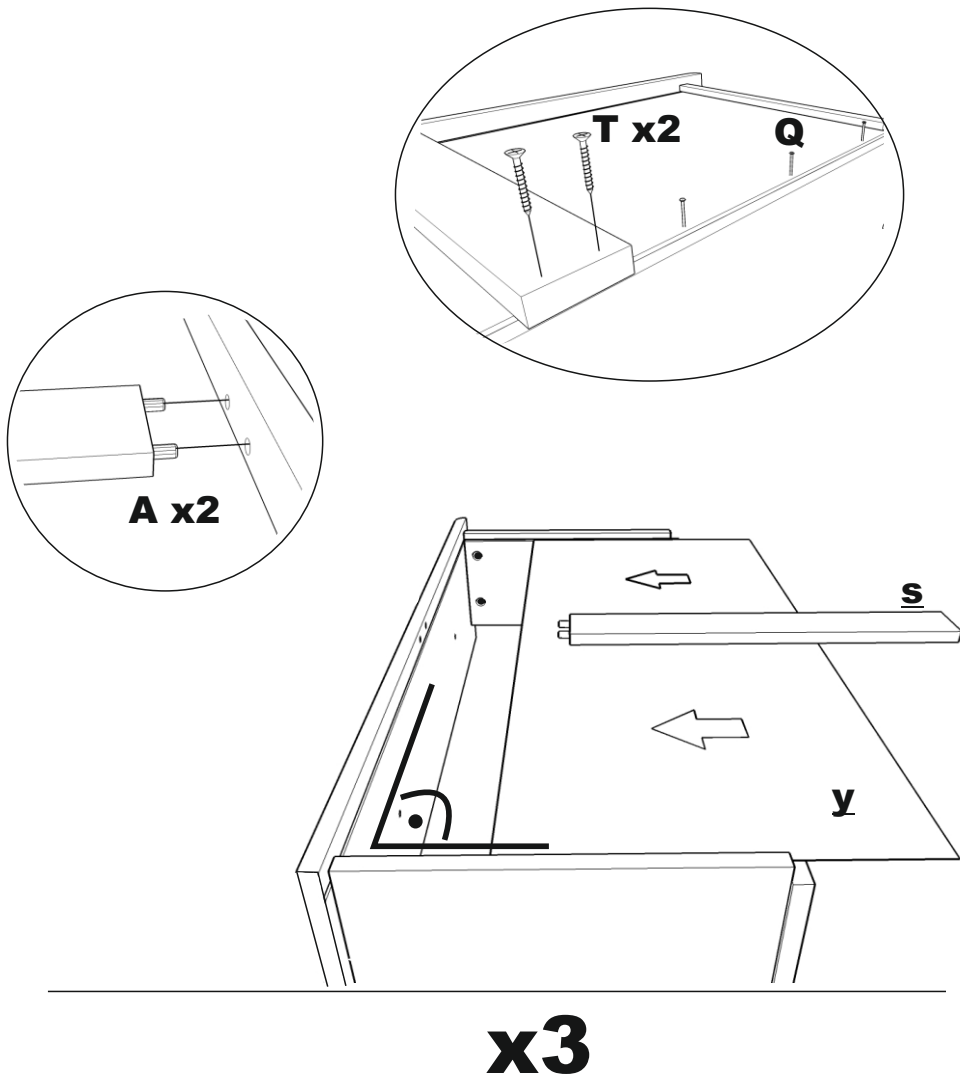


10.

x3



11.



12.

