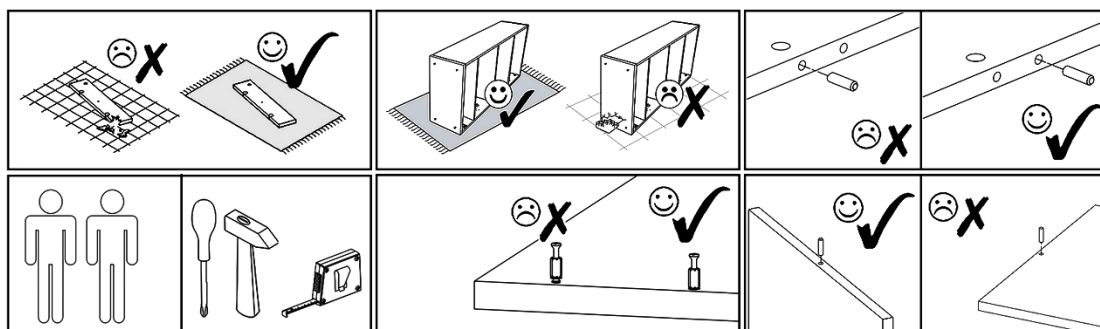
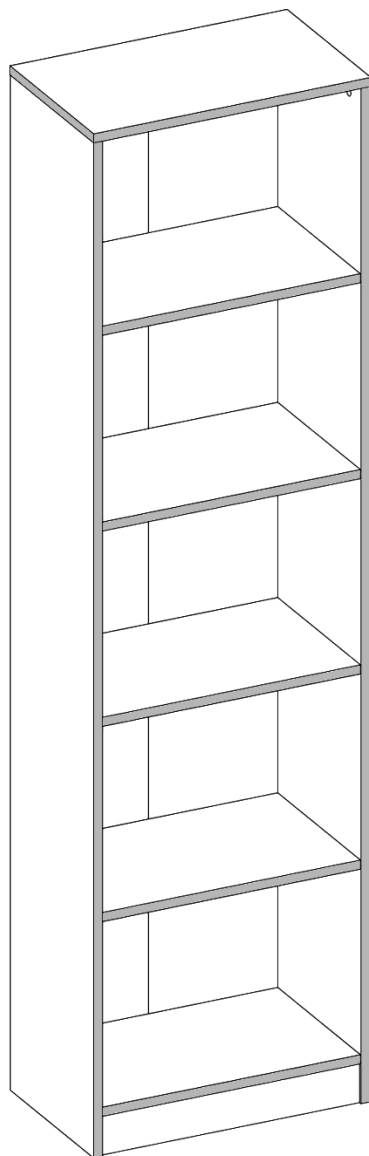




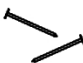




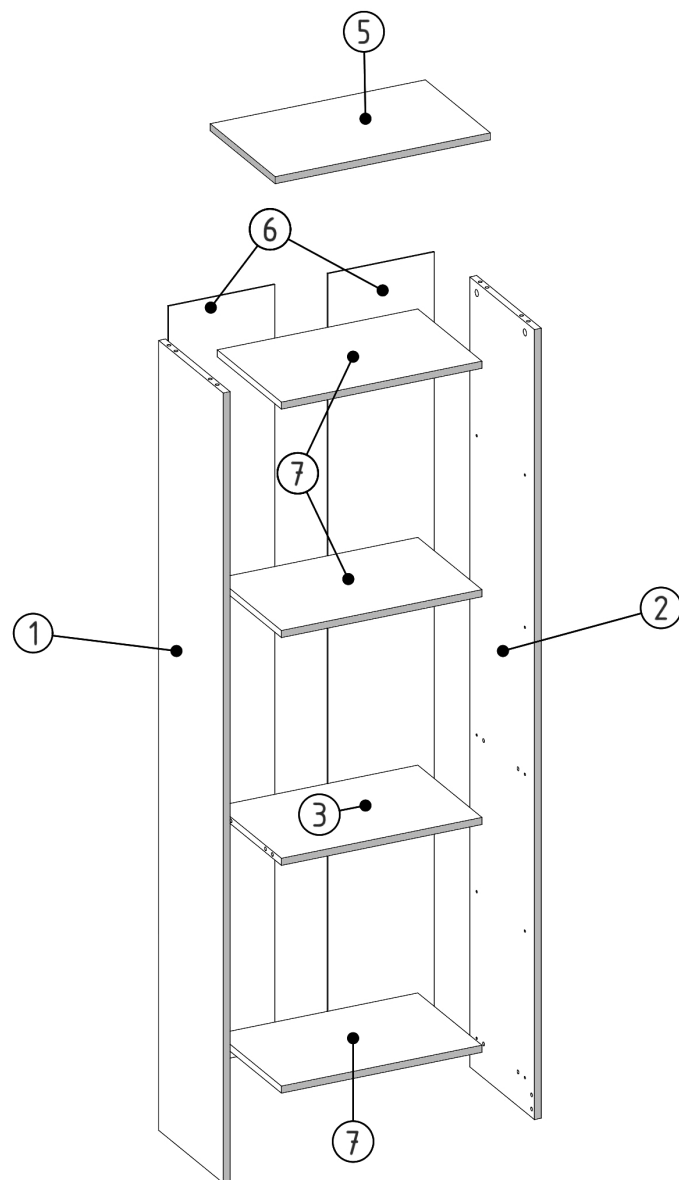


12/07/2021

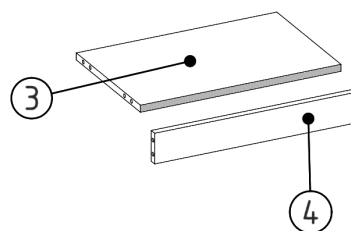
R50







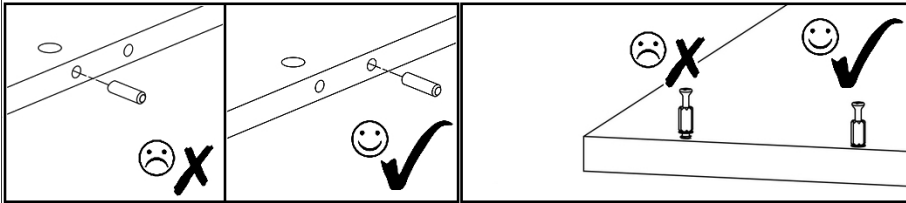
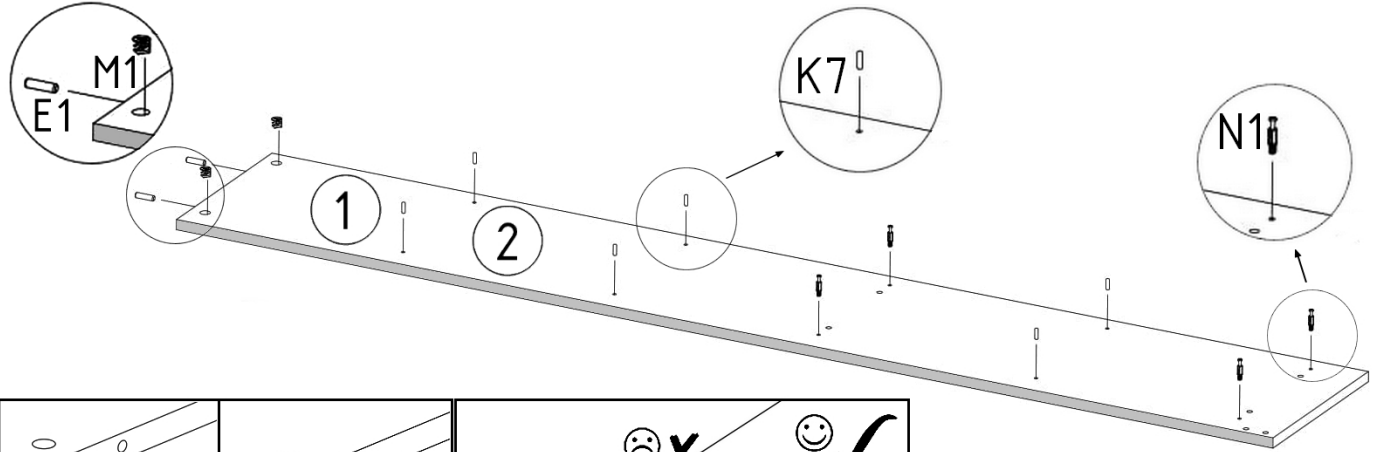
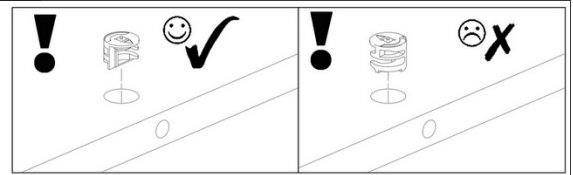
<p>N1</p>  <p>L=34mm x12</p>	<p>M1</p>  <p>12x15mm x12</p>	<p>K2</p>  <p>x1</p>	<p>K7</p>  <p>L=16mm x12</p>	
<p>Z2</p>  <p>x 50</p>	<p>E1</p>  <p>8x30mm x16</p>	<p>L1</p>  <p>L=1712mm x 1</p>	<p>T1</p>  <p>x4</p>	<p>M2 x12</p>  <p>ø17mm x4</p>





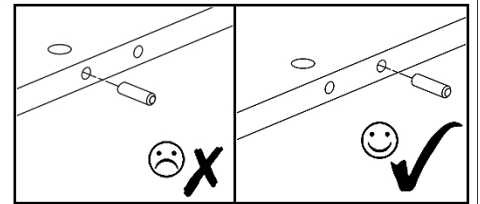
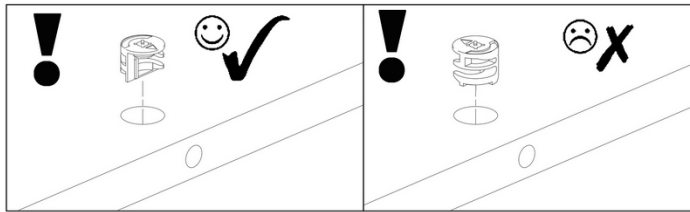
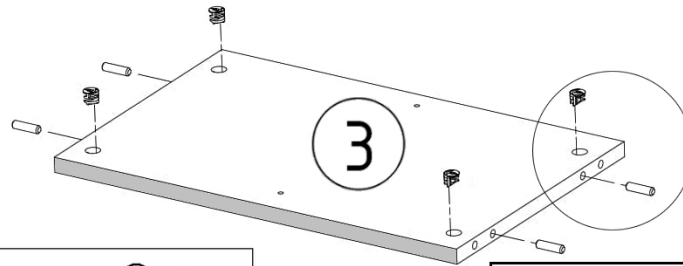
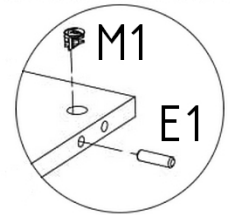
1	x	1
2	x	1
3	x	2
4	x	1
5	x	1
6	x	2
7	x	3




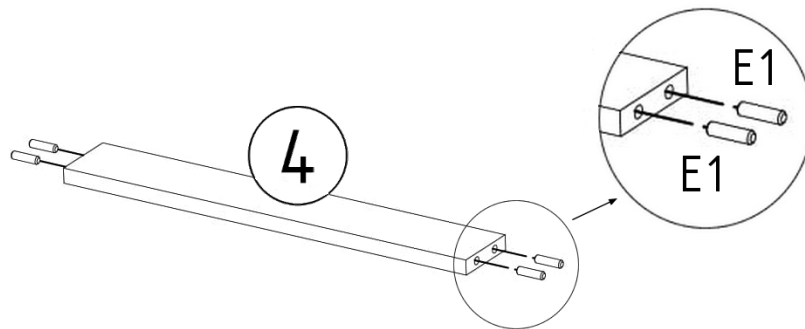
N1  L=34mm X4	M1  12x15mm X2	E1  8x30mm X2	K7  L=16mm X6
--	---	--	---

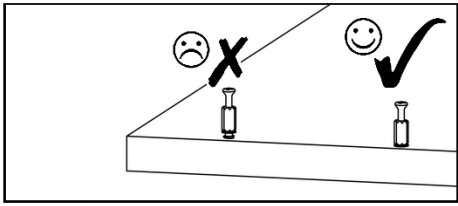
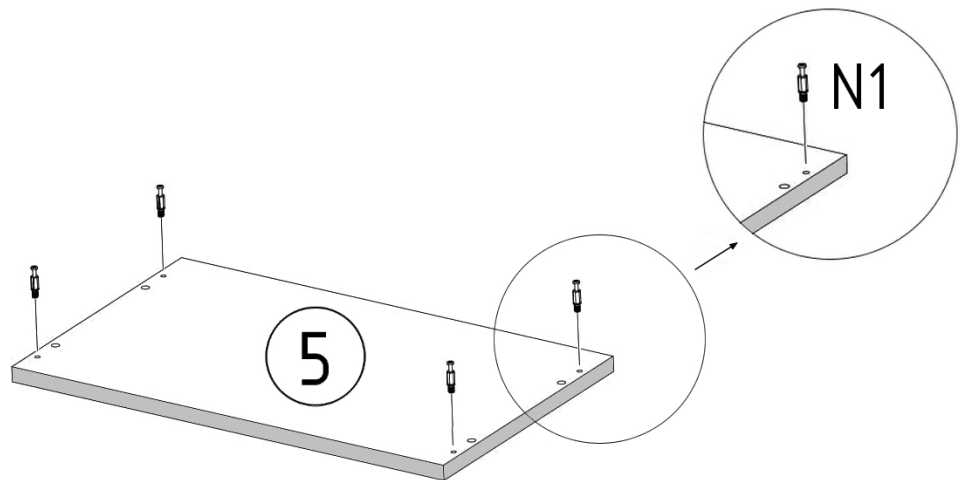
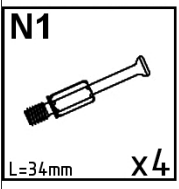
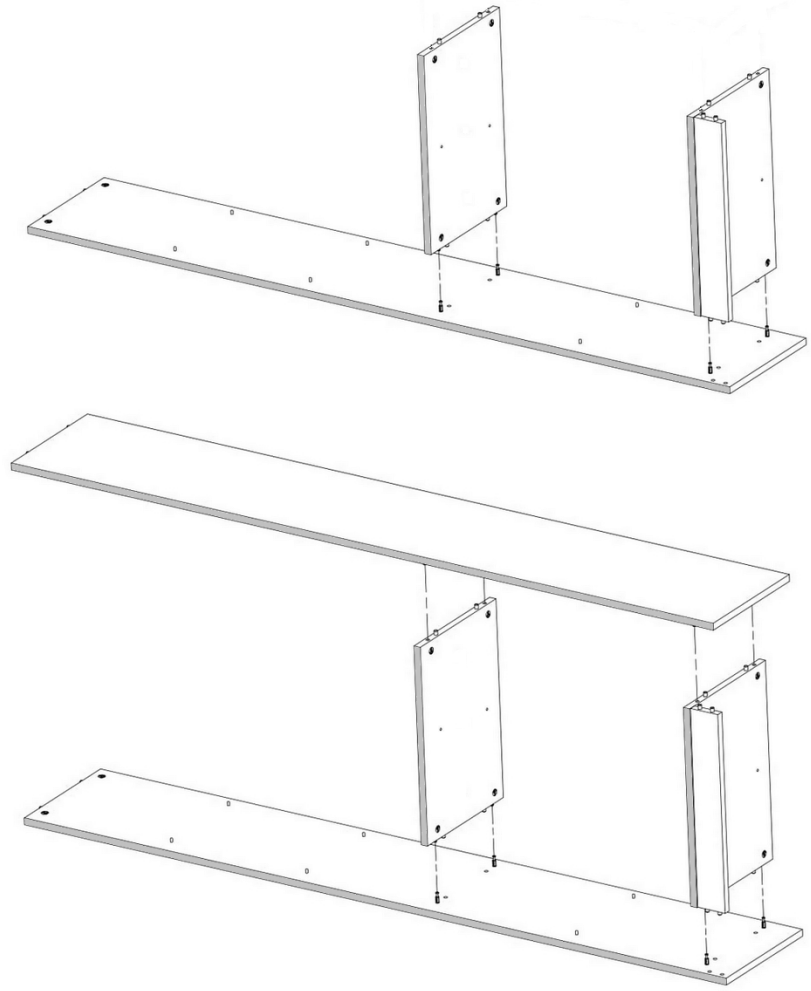
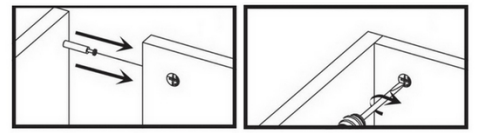


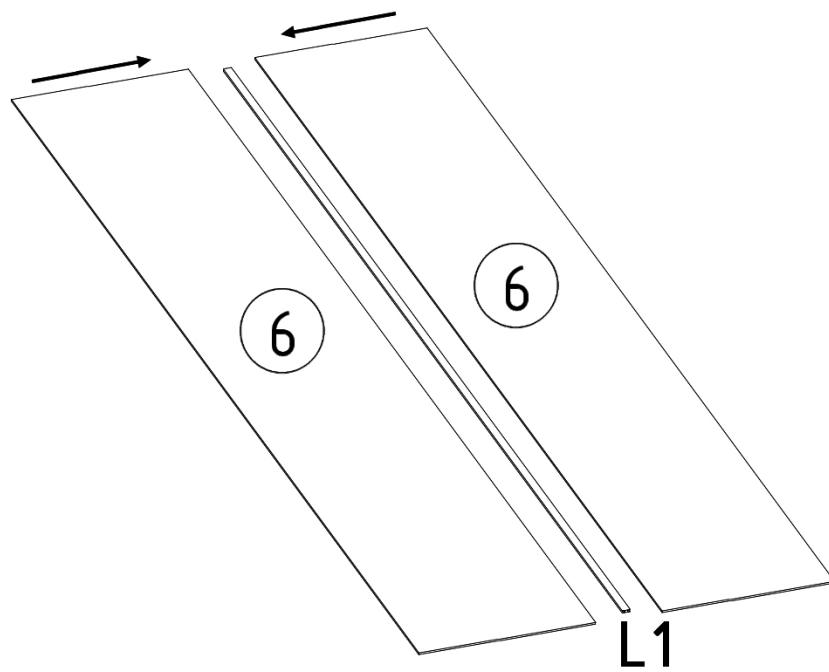
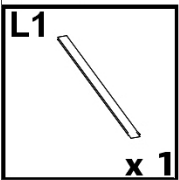
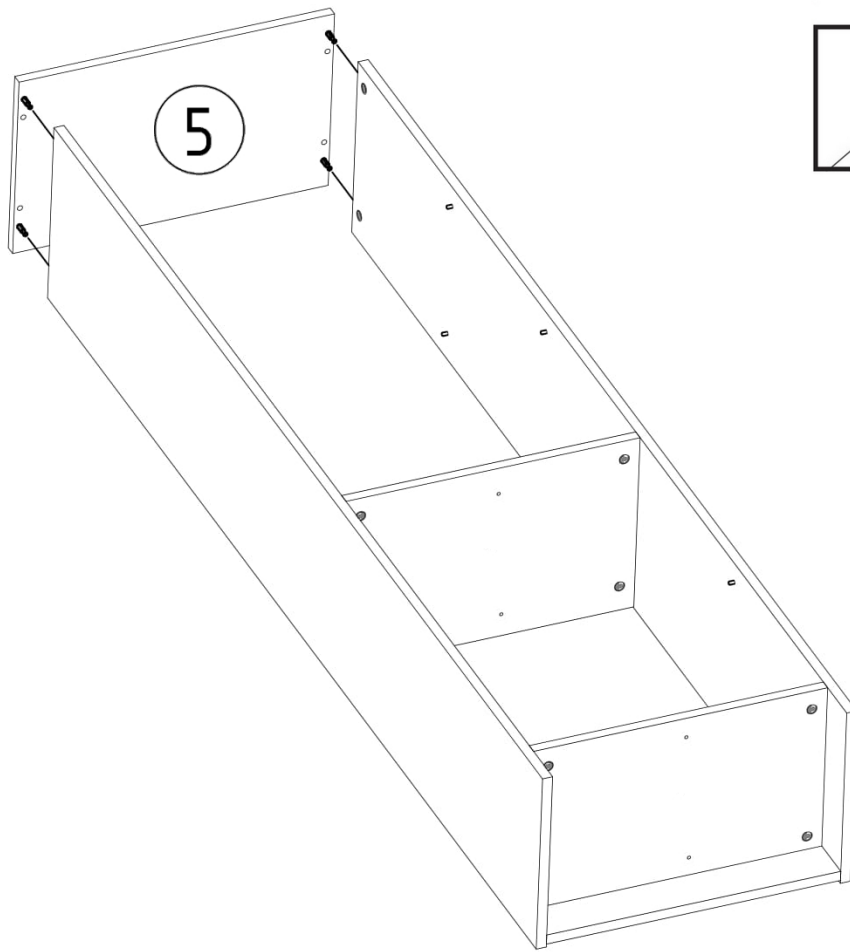
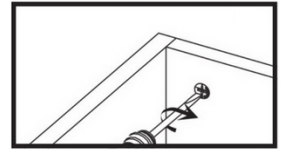
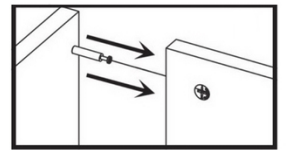
M1  12x15mm X4	E1  8x30mm X4
--	---



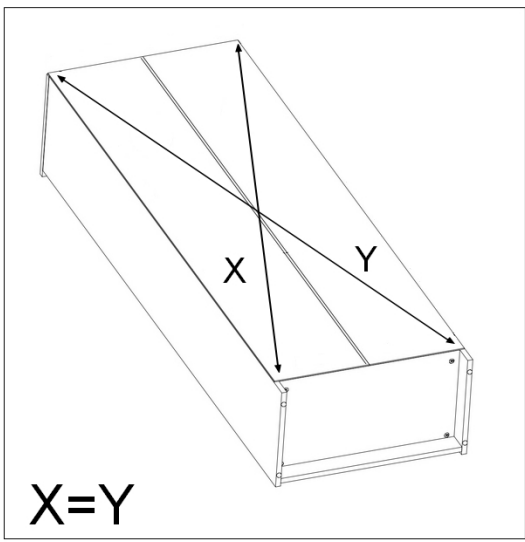
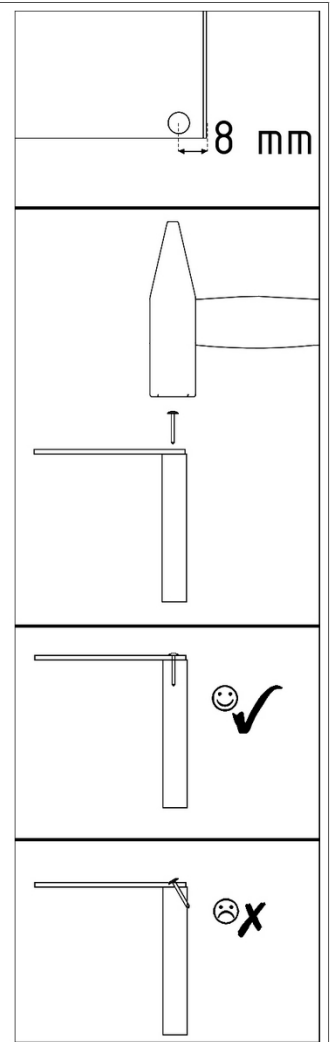
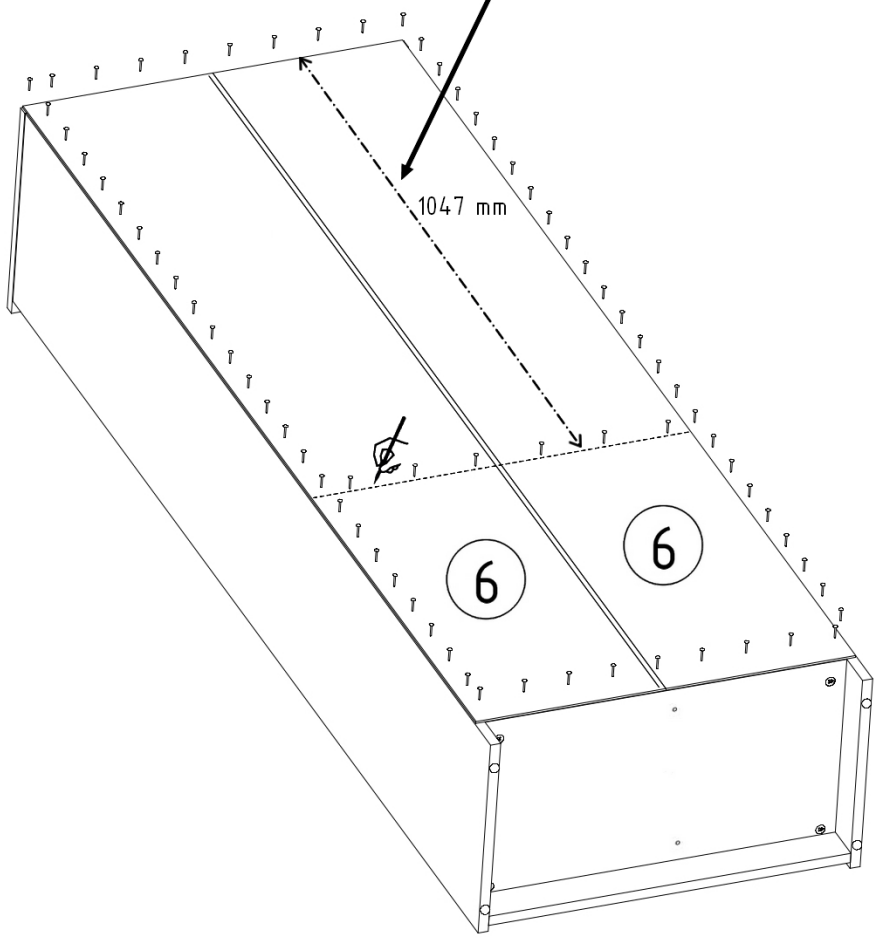
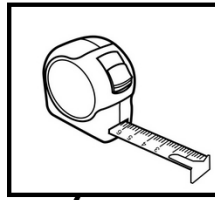
E1  8x30mm X4





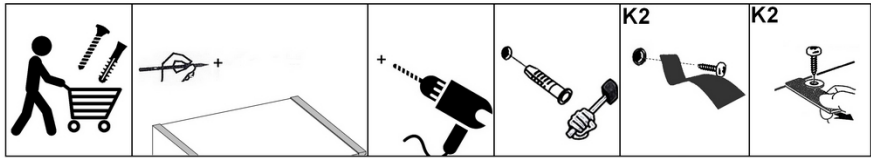






Z1
x 50



K2  x1	M2  ø17mm x4
---	--



M3 	M2 
--	--

