

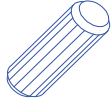
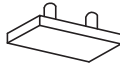




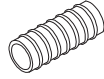
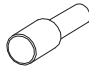
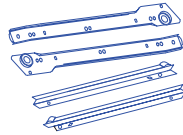


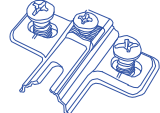
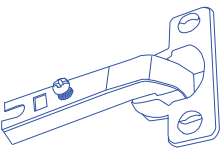

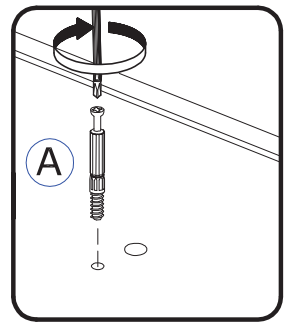
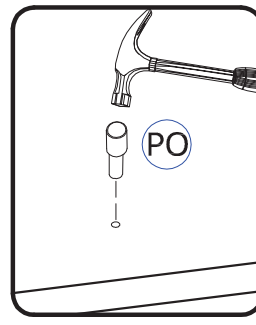
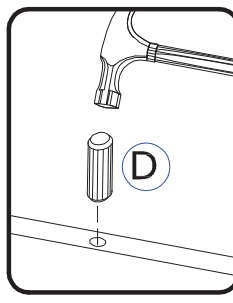
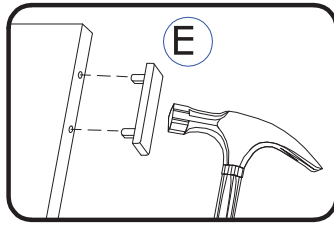
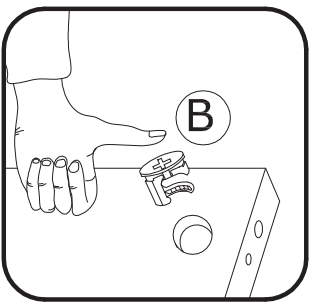
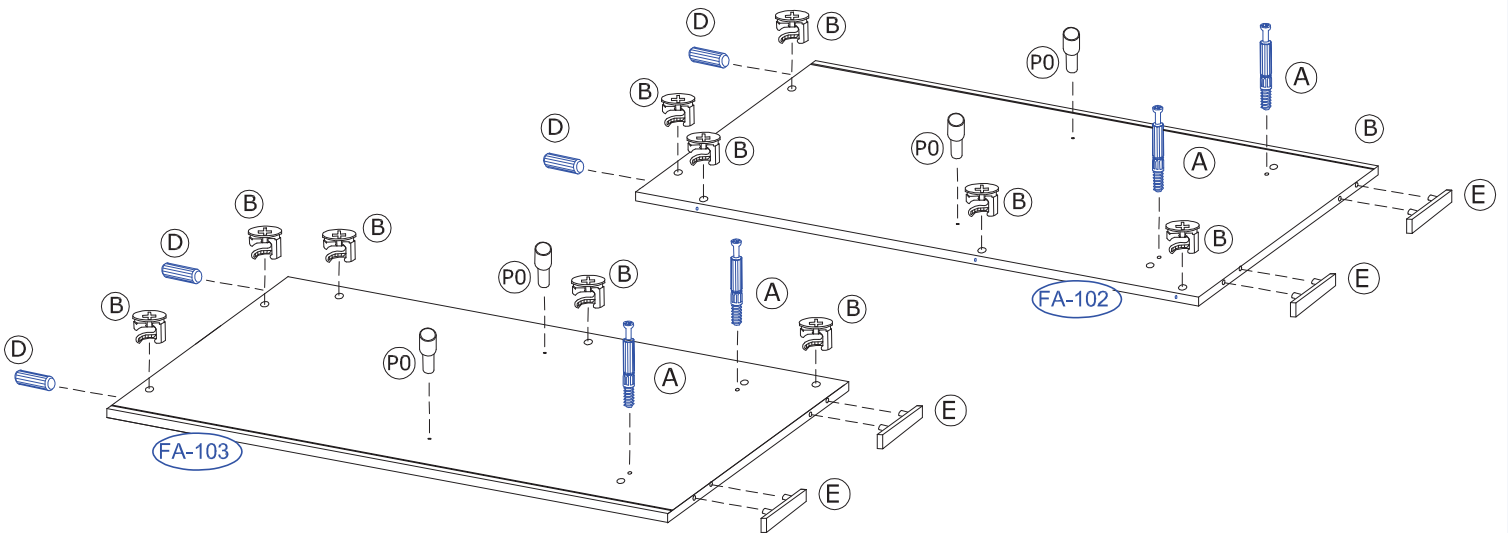
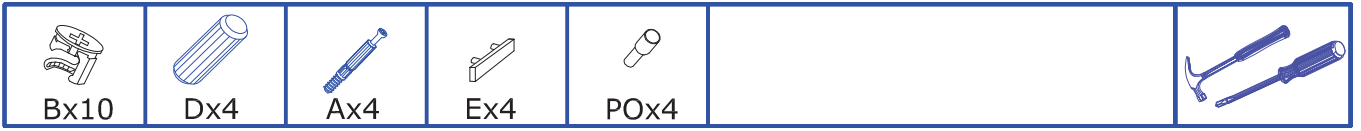
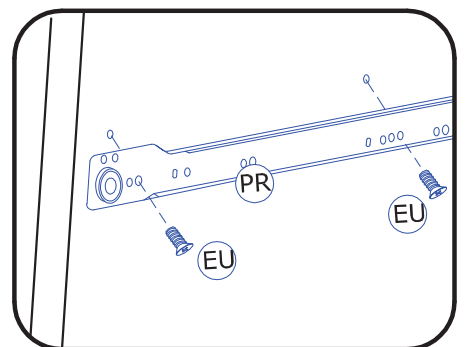
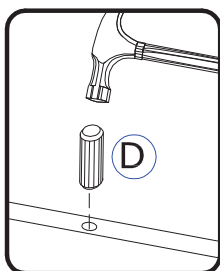
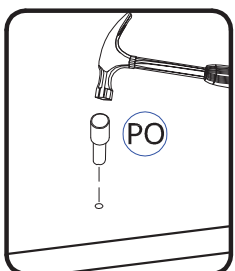
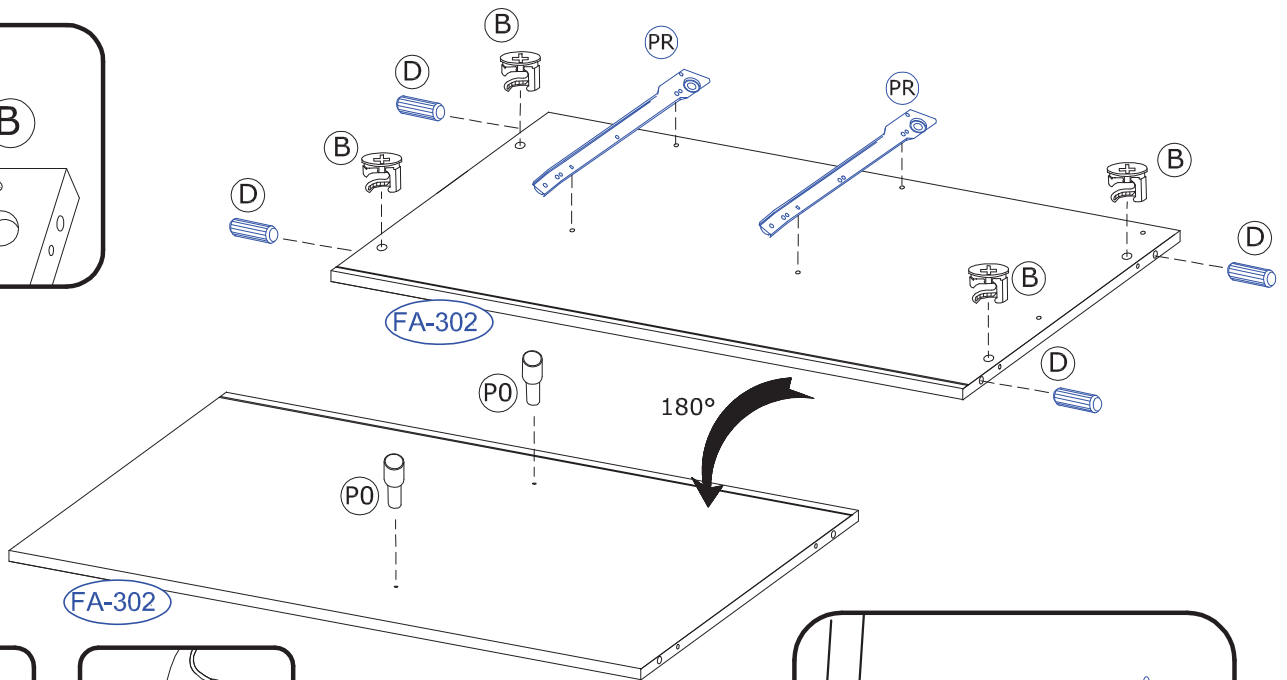
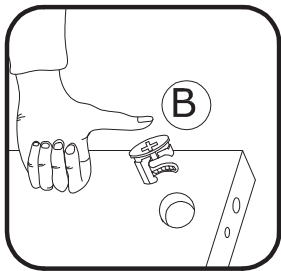
 A-24	 B-24	 C-24	 Ø8x30mm D-42	 E-10
 Ø6,0x13mm EU-12	 Ø3,5x16mm H-20	 H1-12	 KL	 MU-10
 PO-8	 PR-3KPL	 Ø4,0x40mm Q-10	 ST-20	 X-4
 Y-4	 Z-10			

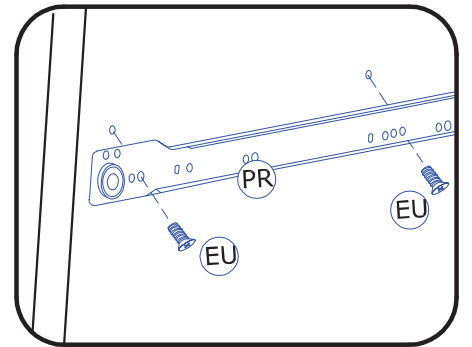
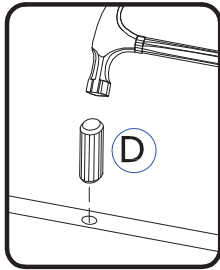
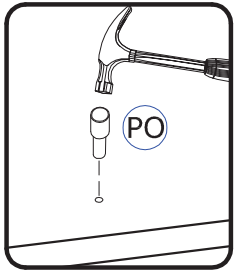
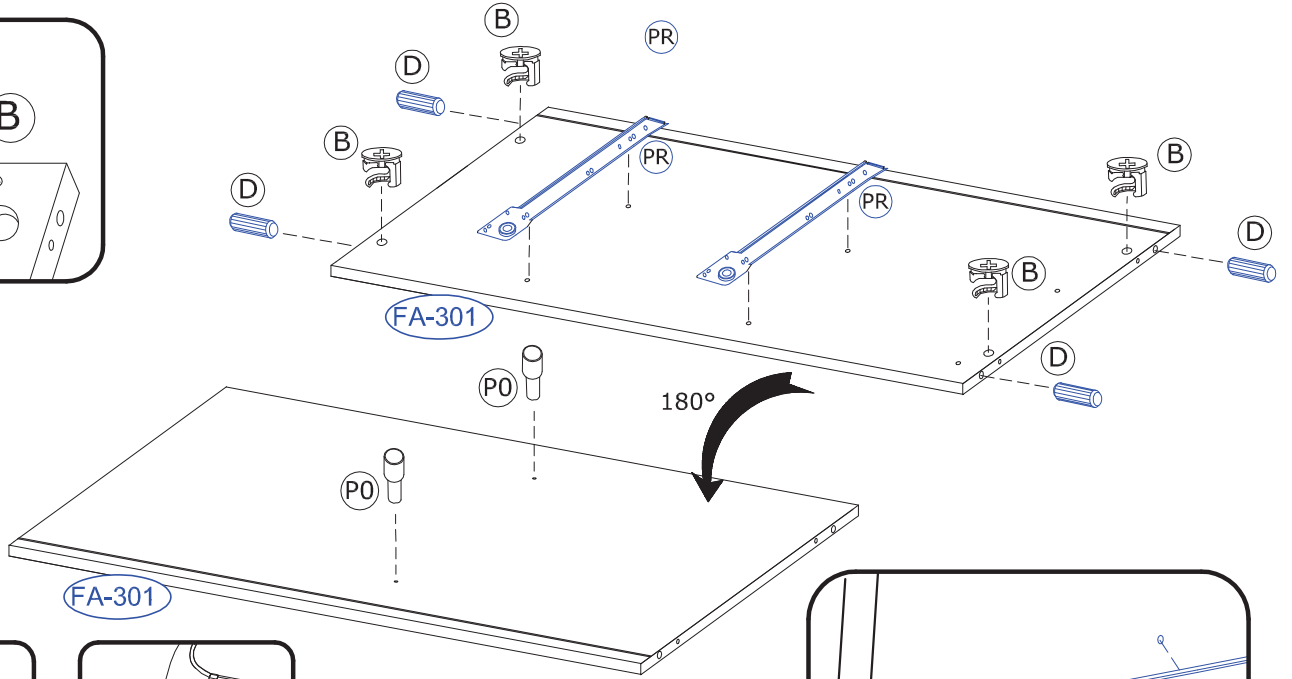
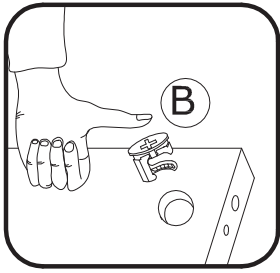
1.



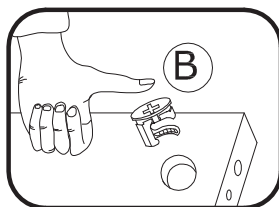
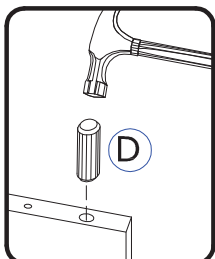
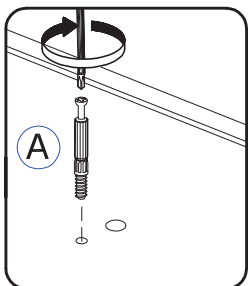
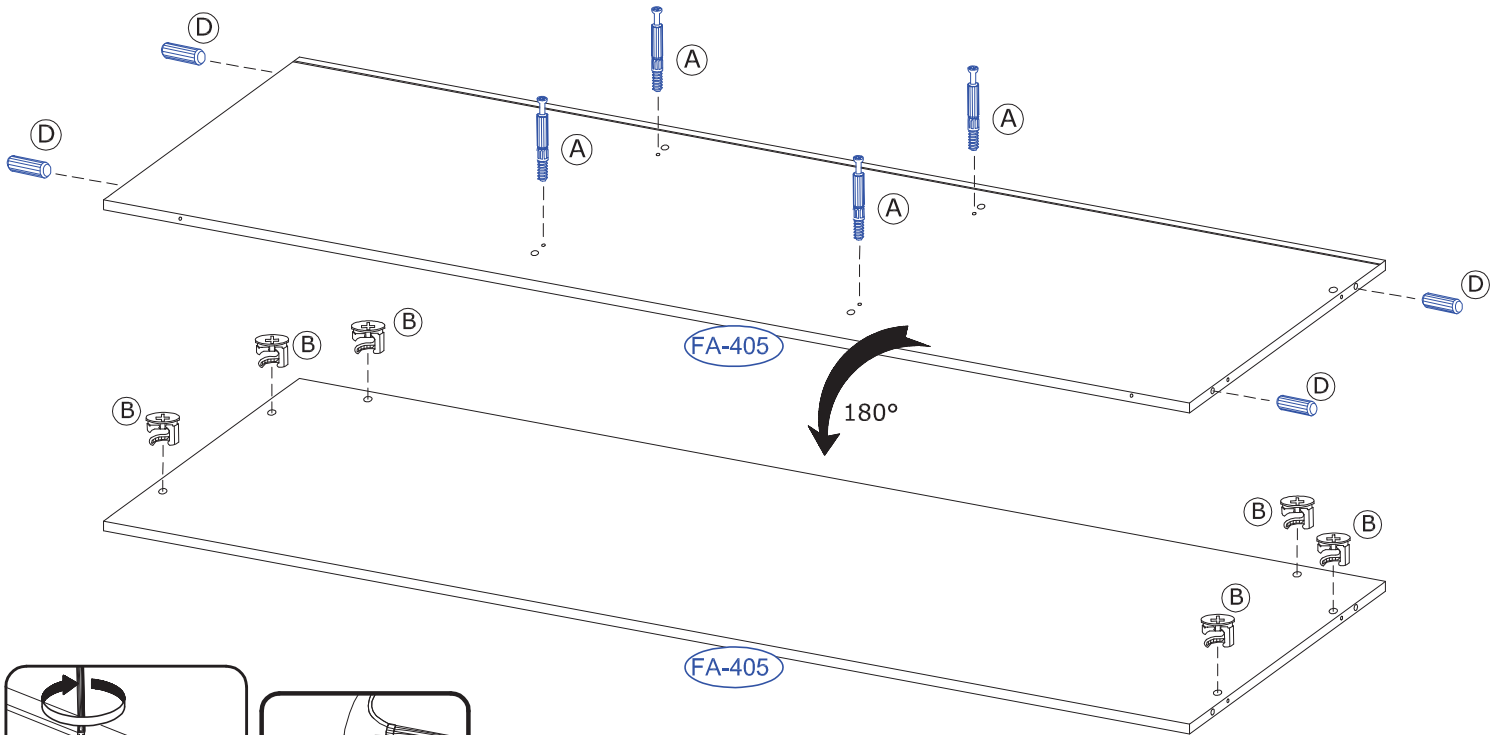
2.



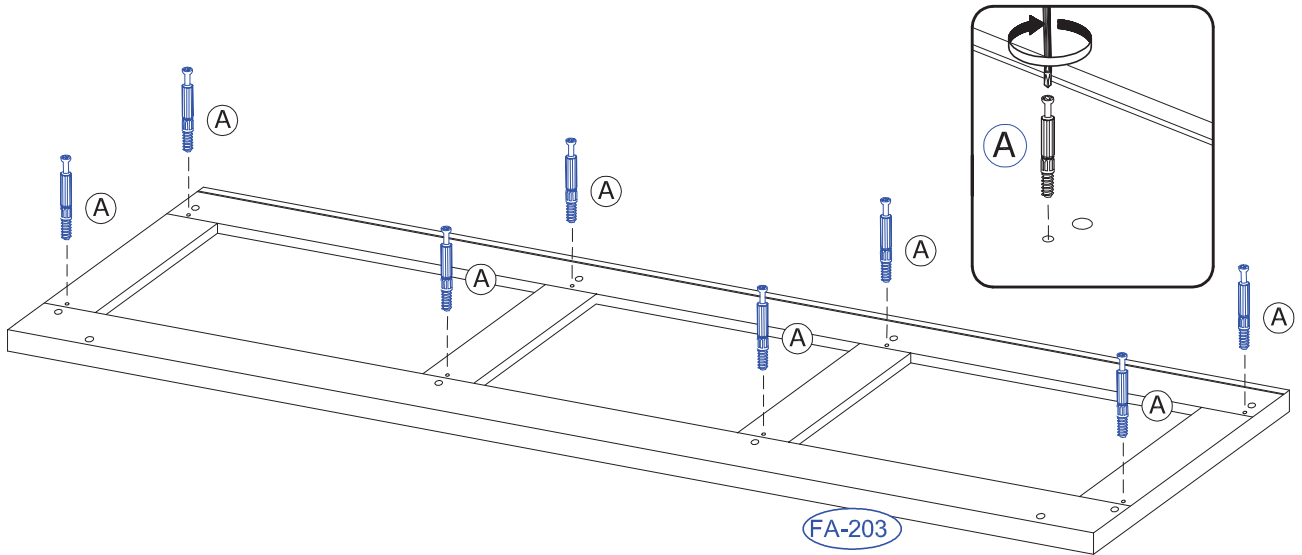
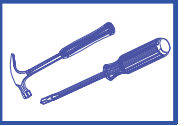
3.



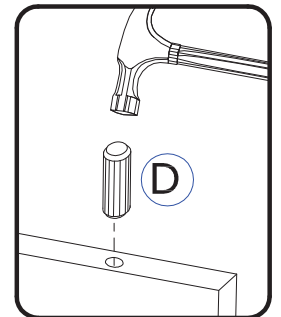
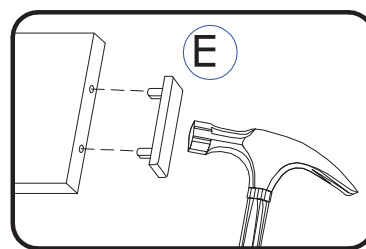
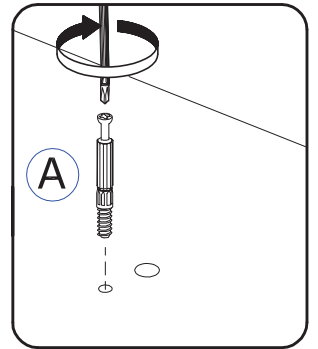
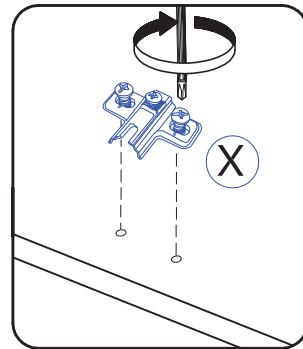
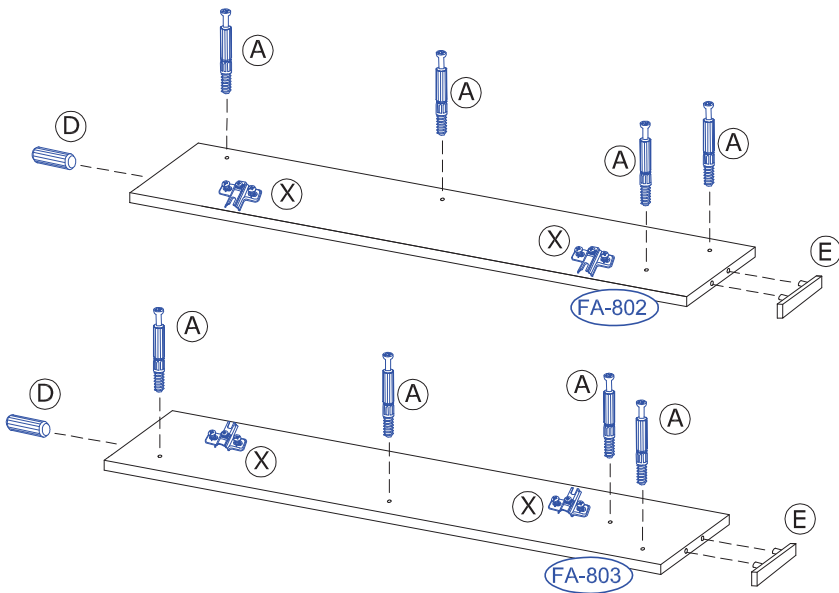
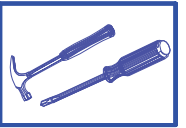
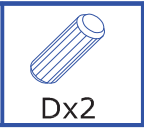
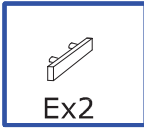
4.



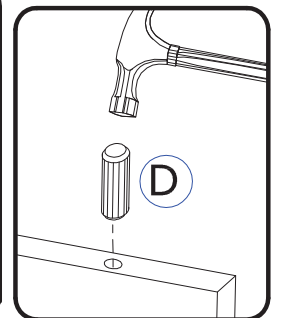
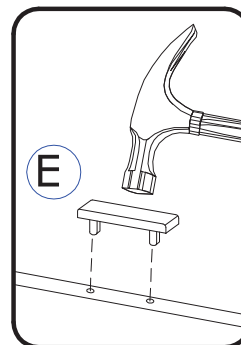
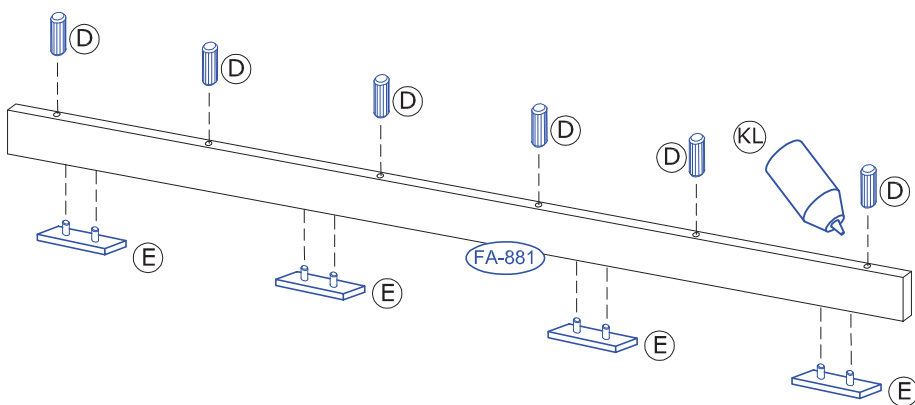
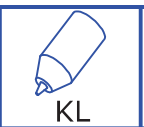
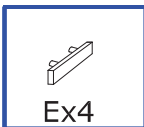
5.



6.



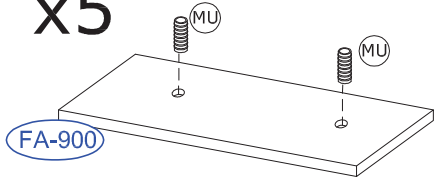
7.



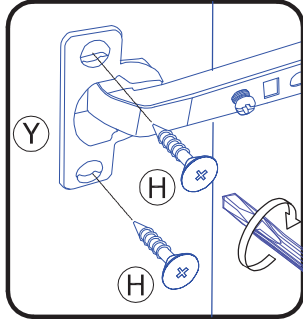
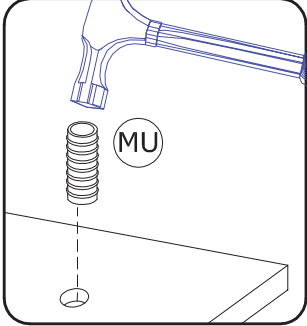
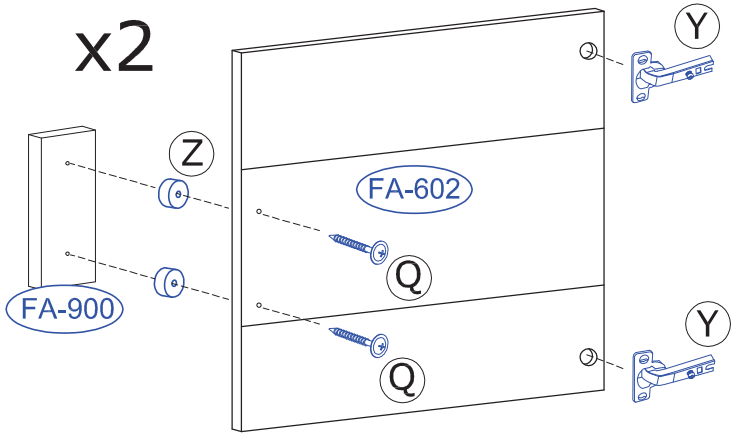
8.



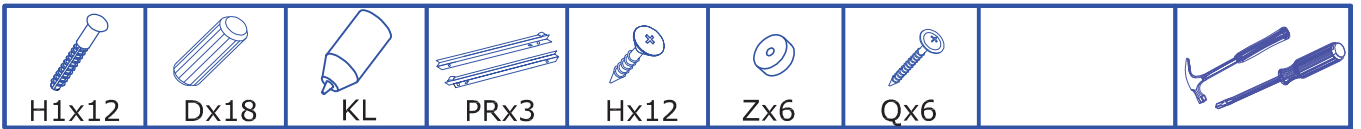
x5



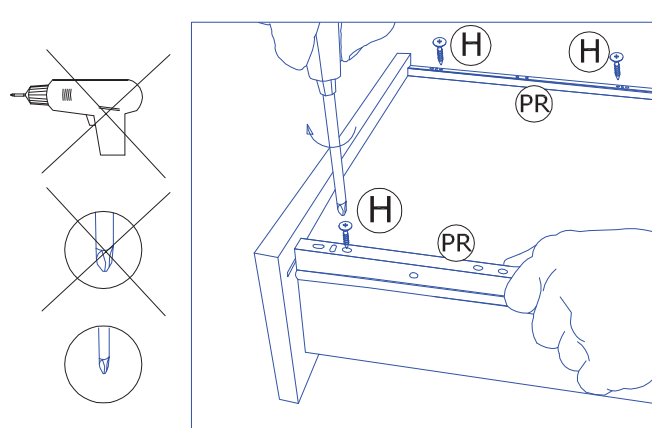
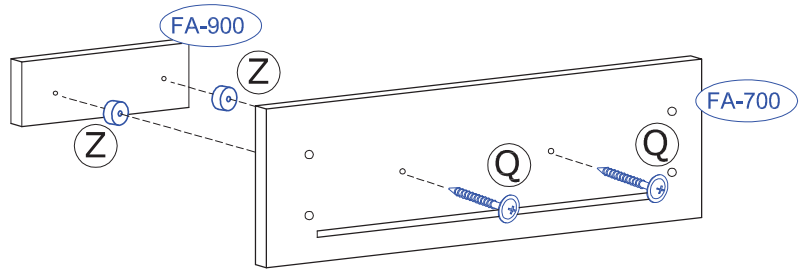
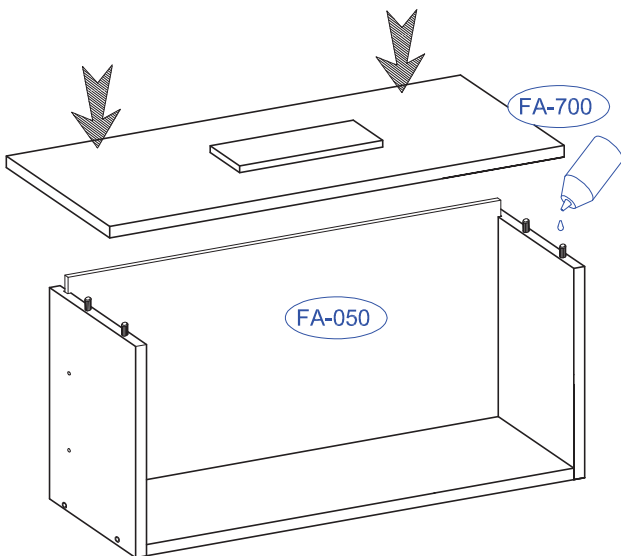
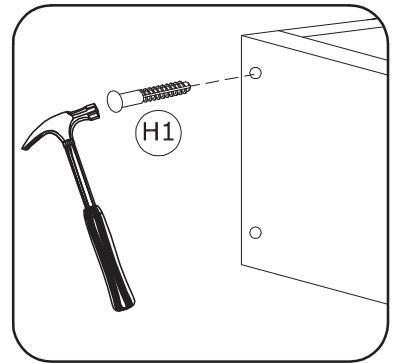
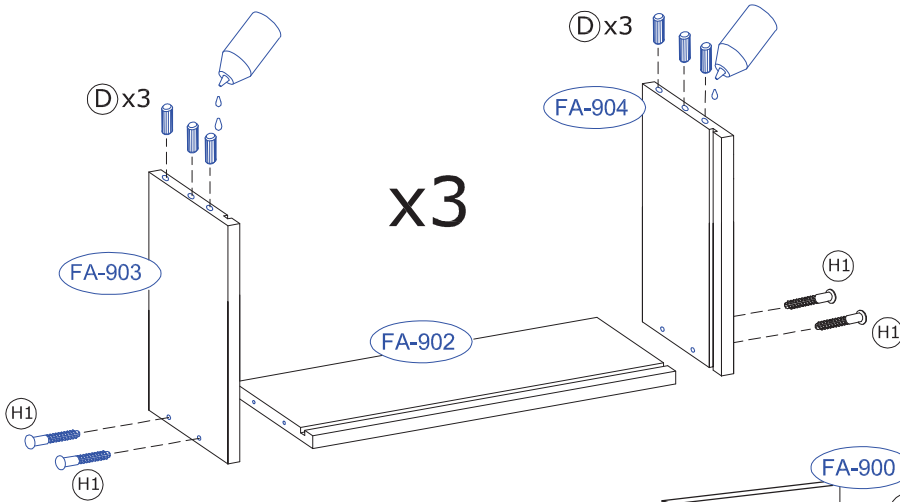
x2



9.



x3



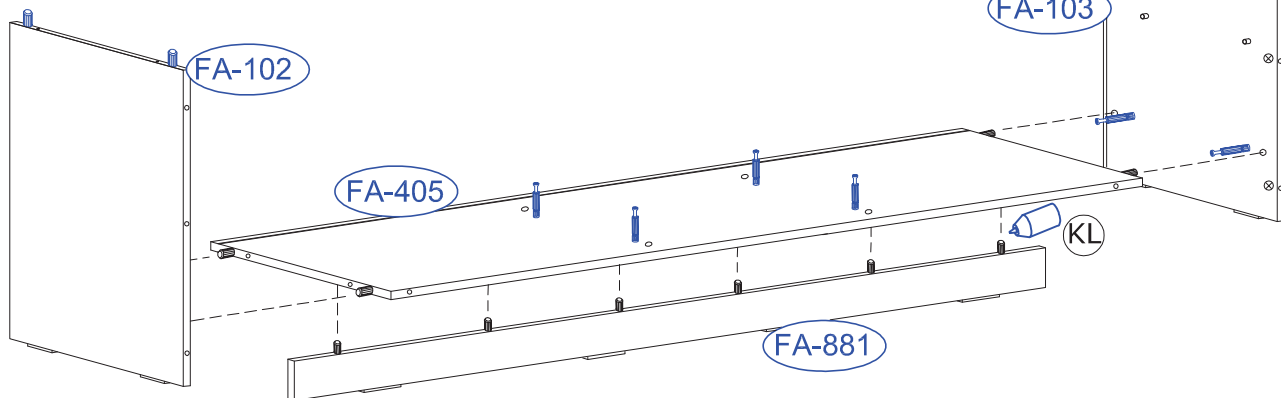
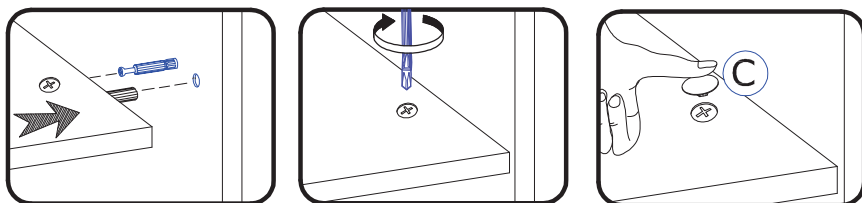
10.



Cx4



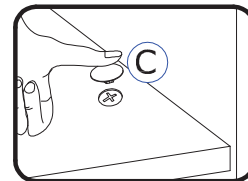
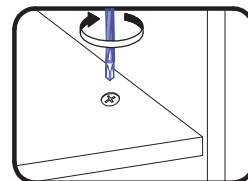
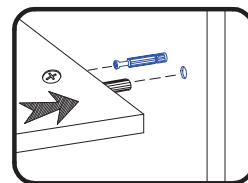
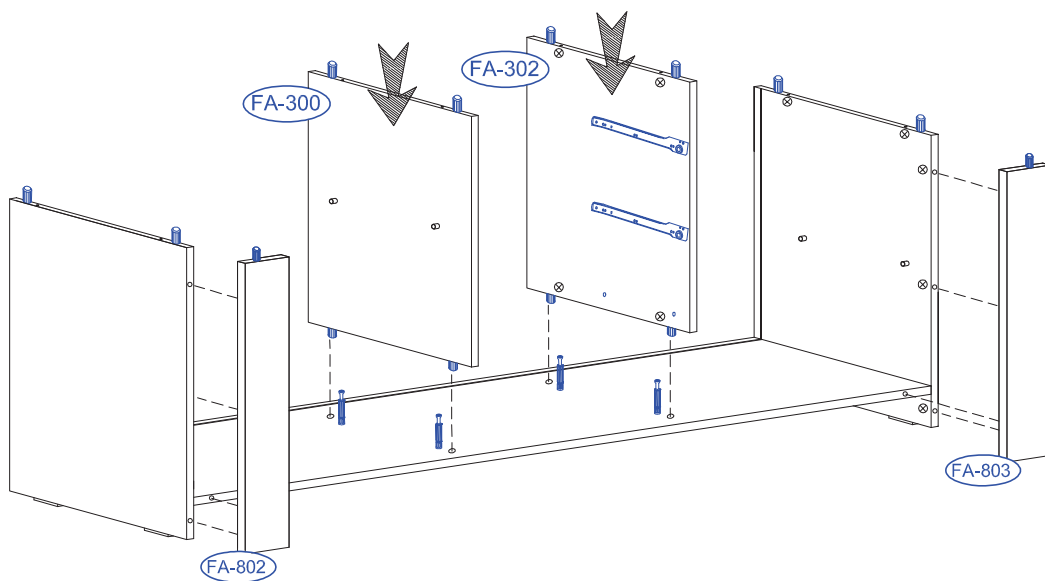
KL



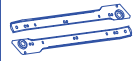
11.



Cx12



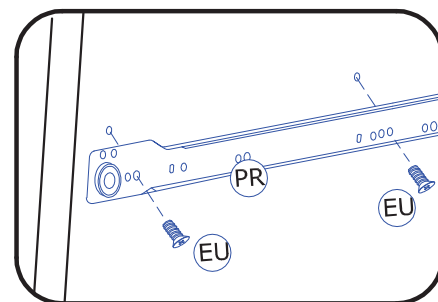
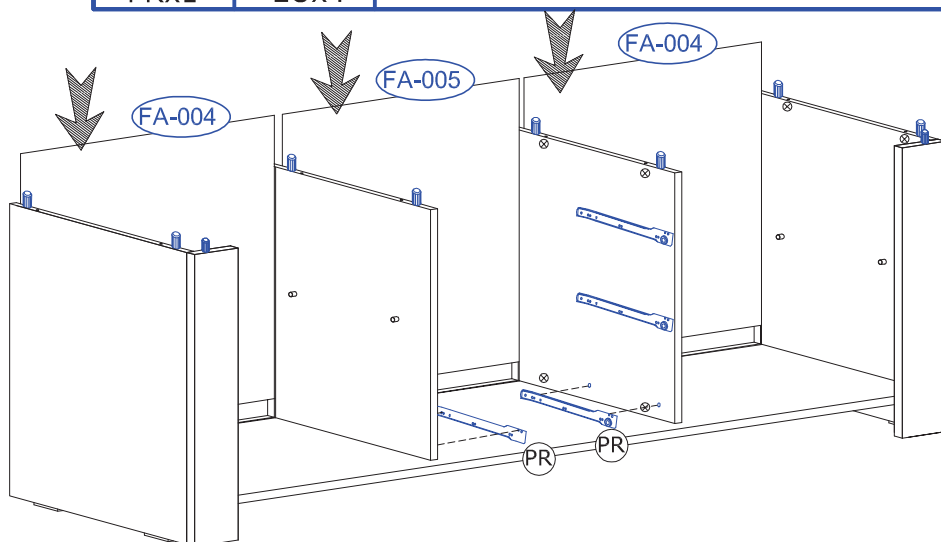
12.



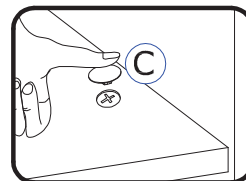
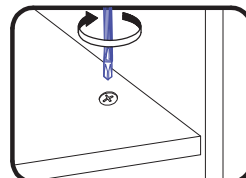
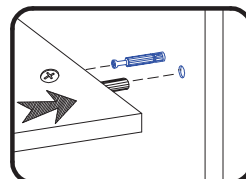
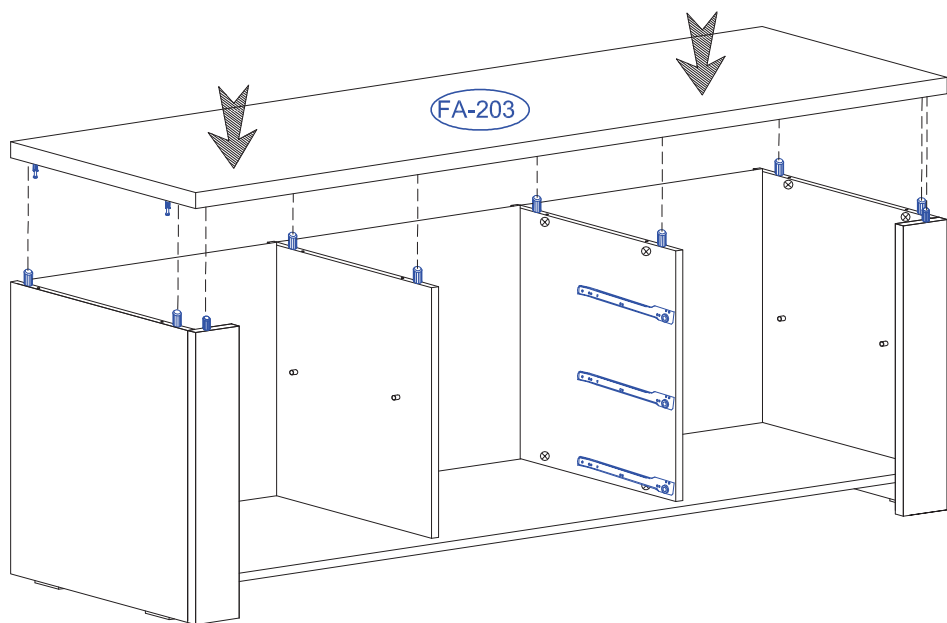
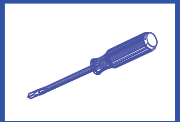
PRx1



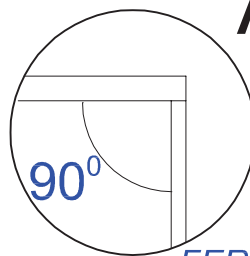
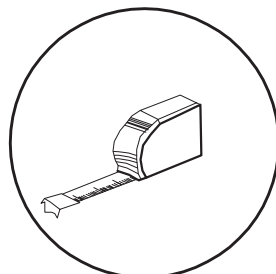
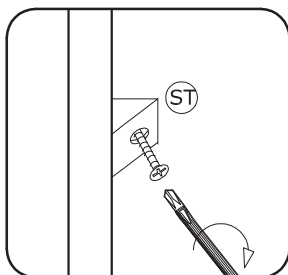
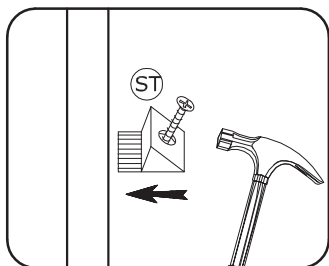
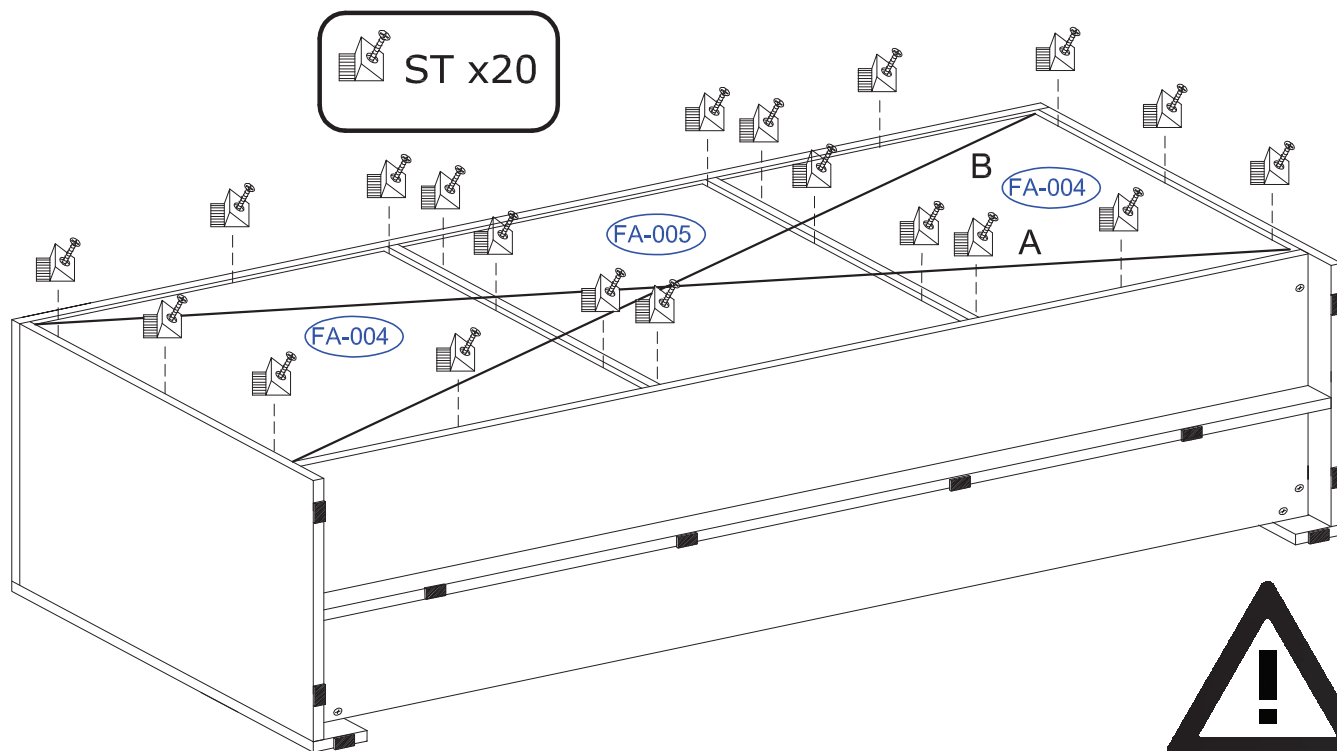
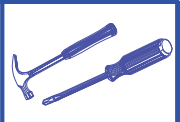
EUx4



13.



14.



15.

