







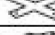



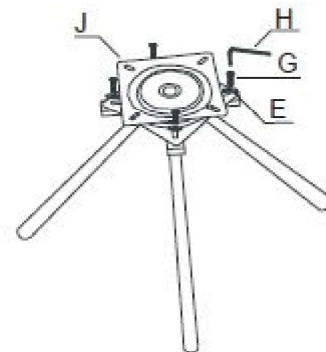
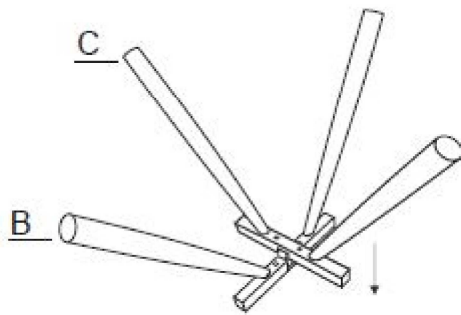
HARDWARE LIST			
NO.	PART	DESCRIPTION	Q'TY
A		back	1
B		leg 1	1
C		leg 2	1
D	 M6X35	long screw	4
E		caps	12
F		Metal joint 1	1
G	 M6X13	short screw	8
H		allen key	1
I		Metal joint 2	1
J		rotating disk	1

LDC930L



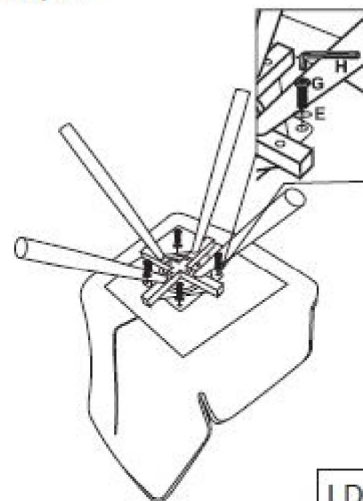
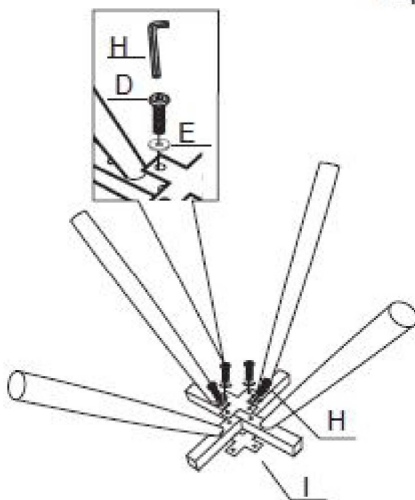
step 1

step 3



step 2

step 4



LDC930L 1/1