

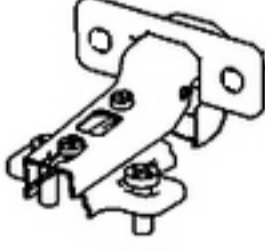


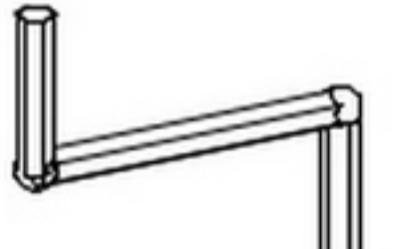


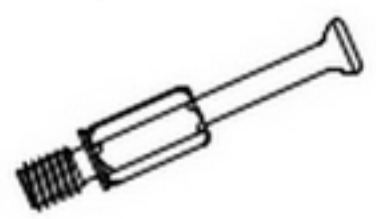

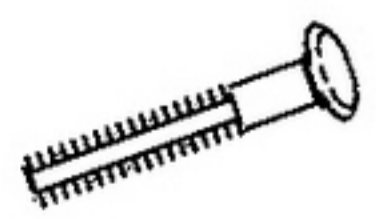



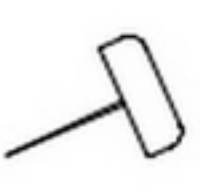





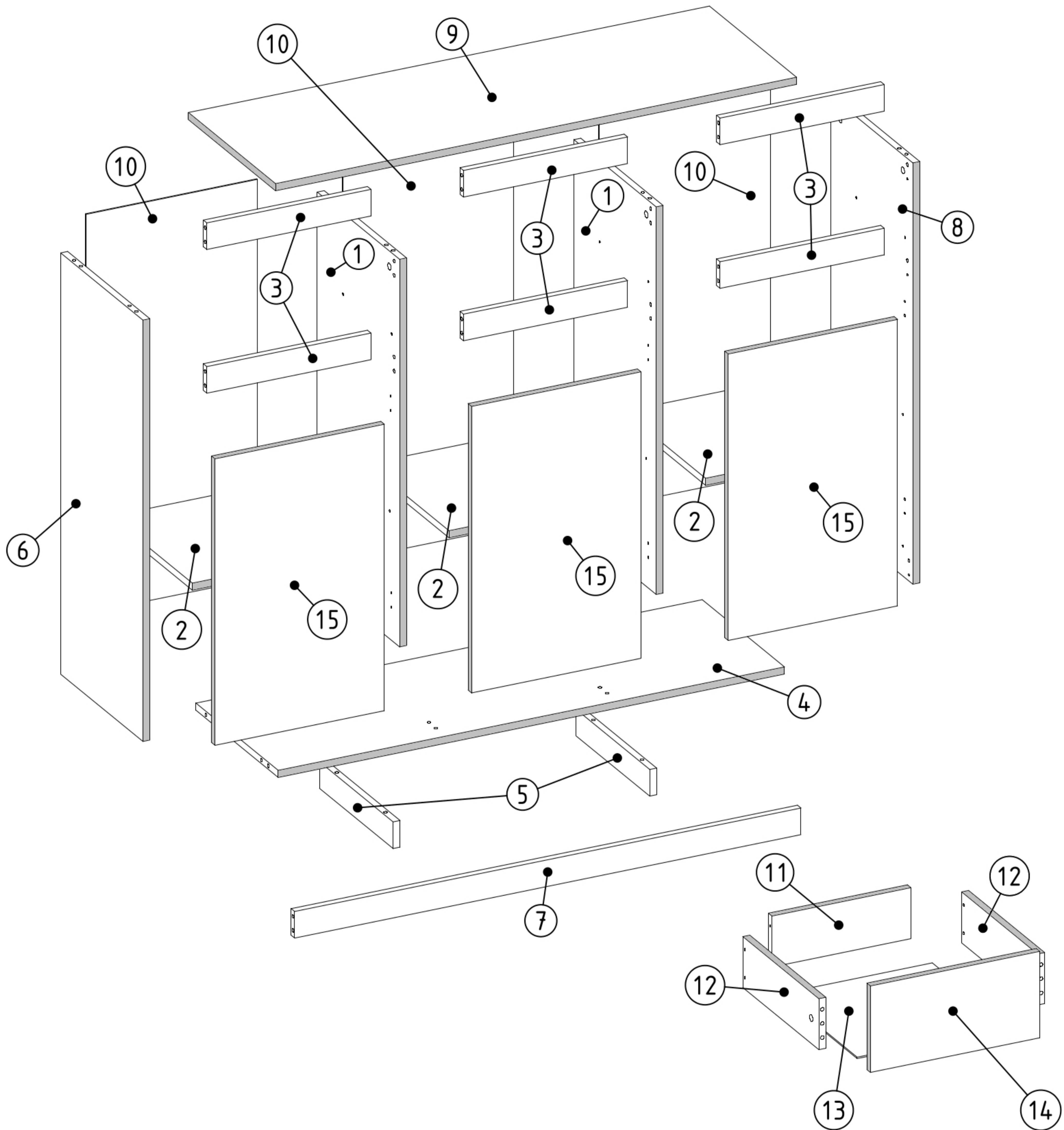



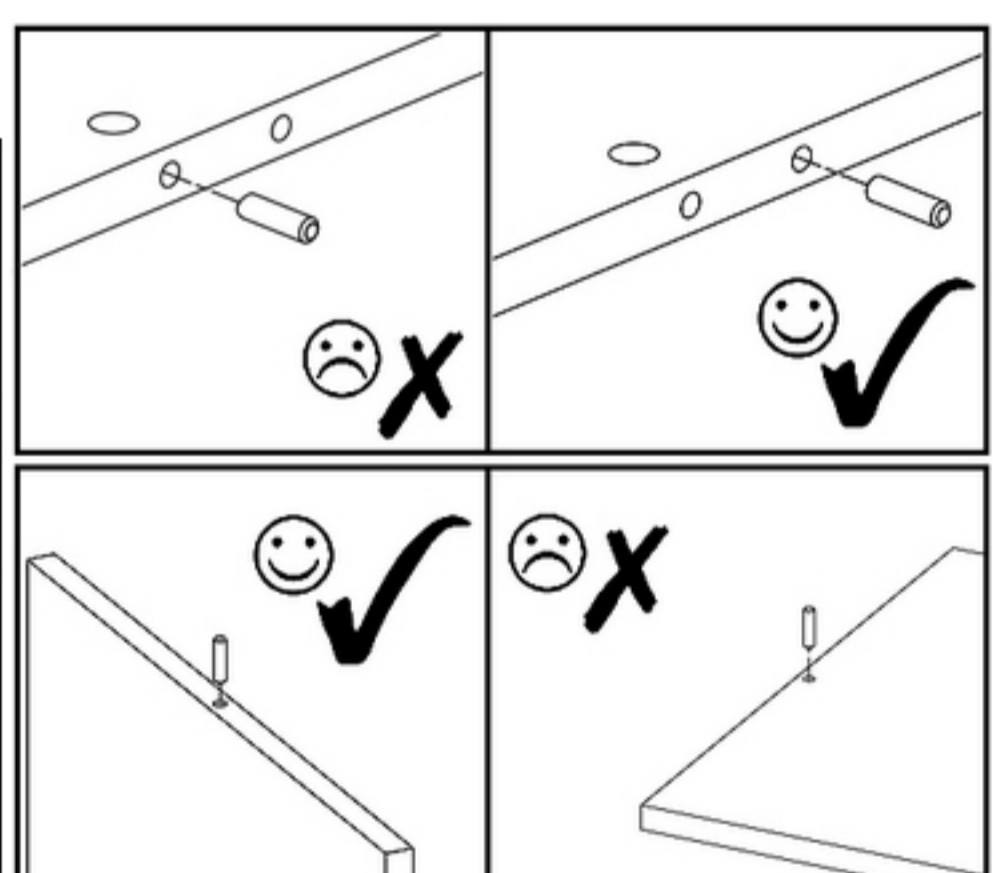
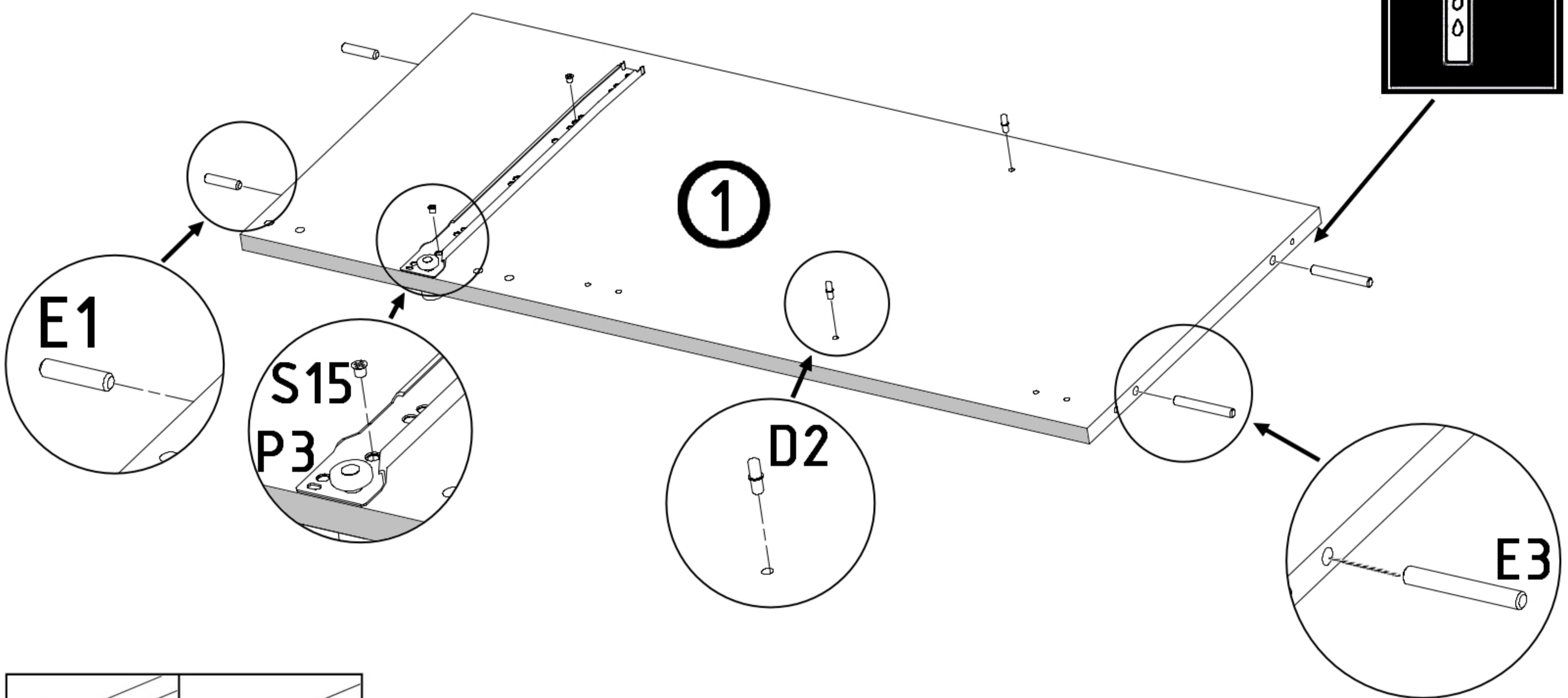
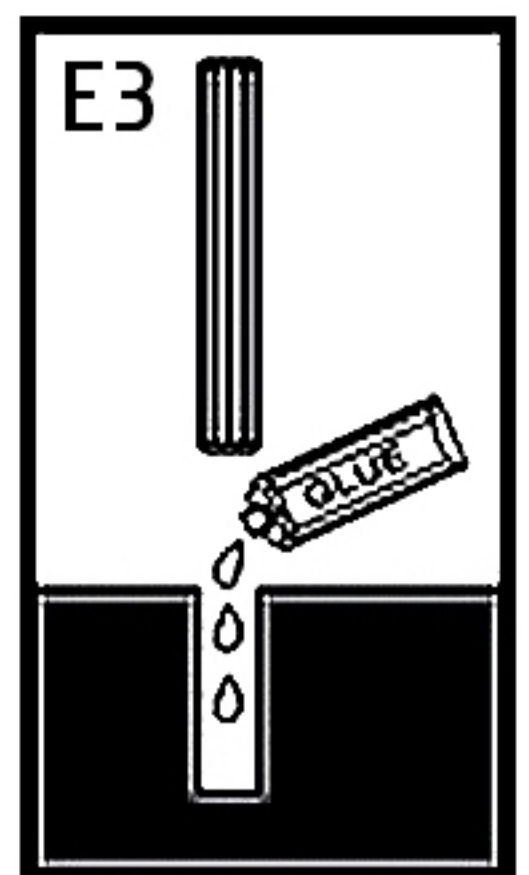
<b>S5</b>  2,5x20 mm <b>x 10</b>	<b>F2</b>  7x50 mm <b>x 4</b>	<b>A0</b>  ZB <b>x 6</b>	<b>N3</b>  L=76 mm <b>x 4</b>		
 <b>x 1</b>	<b>K1</b>  <b>x 1</b>	<b>Z4</b>  <b>x 10</b>	 <b>x 1</b>		
<b>N2</b>  L=45 mm <b>x 24</b>	<b>M3</b>  12x15 mm <b>x 32</b>	<b>E4</b>  L=43 mm <b>x 12</b>	<b>S1</b>  3,5x16 mm <b>x 24</b>	<b>E1</b>  8x35 mm <b>x 30</b>	<b>D2</b>  5x16 mm <b>x 12</b>
<b>T1</b>  <b>x 8</b>	<b>Z2</b>  <b>x 80</b>	<b>P3</b>  L=350 mm <b>x 3</b>	<b>S15</b>  6x8 mm <b>x 12</b>	<b>M2</b>  ø17 mm <b>x 6</b>	<b>E3</b>  8x70 mm <b>x 8</b>



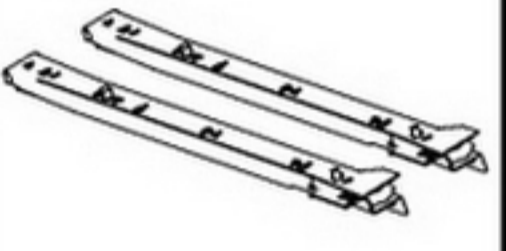



<b>1</b>	x	<b>2</b>
<b>2</b>	x	<b>3</b>
<b>3</b>	x	<b>6</b>
<b>4</b>	x	<b>1</b>
<b>5</b>	x	<b>2</b>
<b>6</b>	x	<b>1</b>
<b>7</b>	x	<b>1</b>
<b>8</b>	x	<b>1</b>

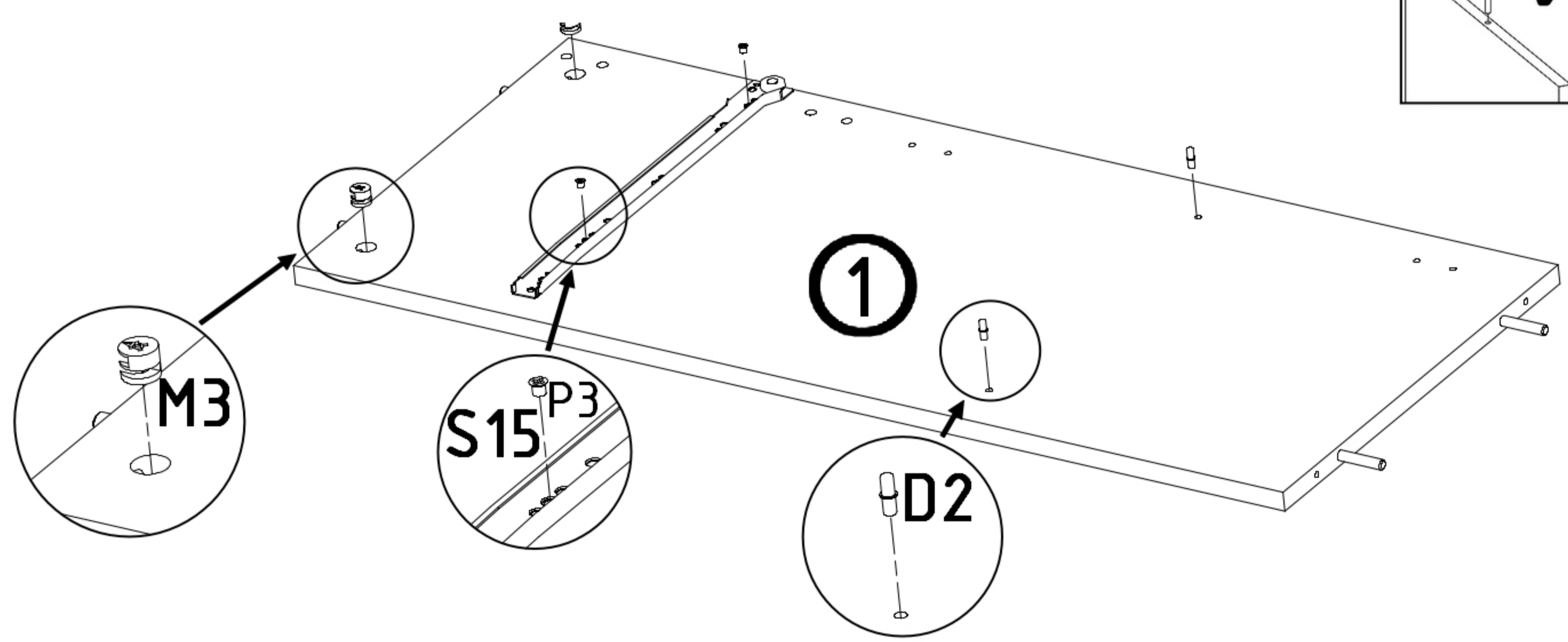
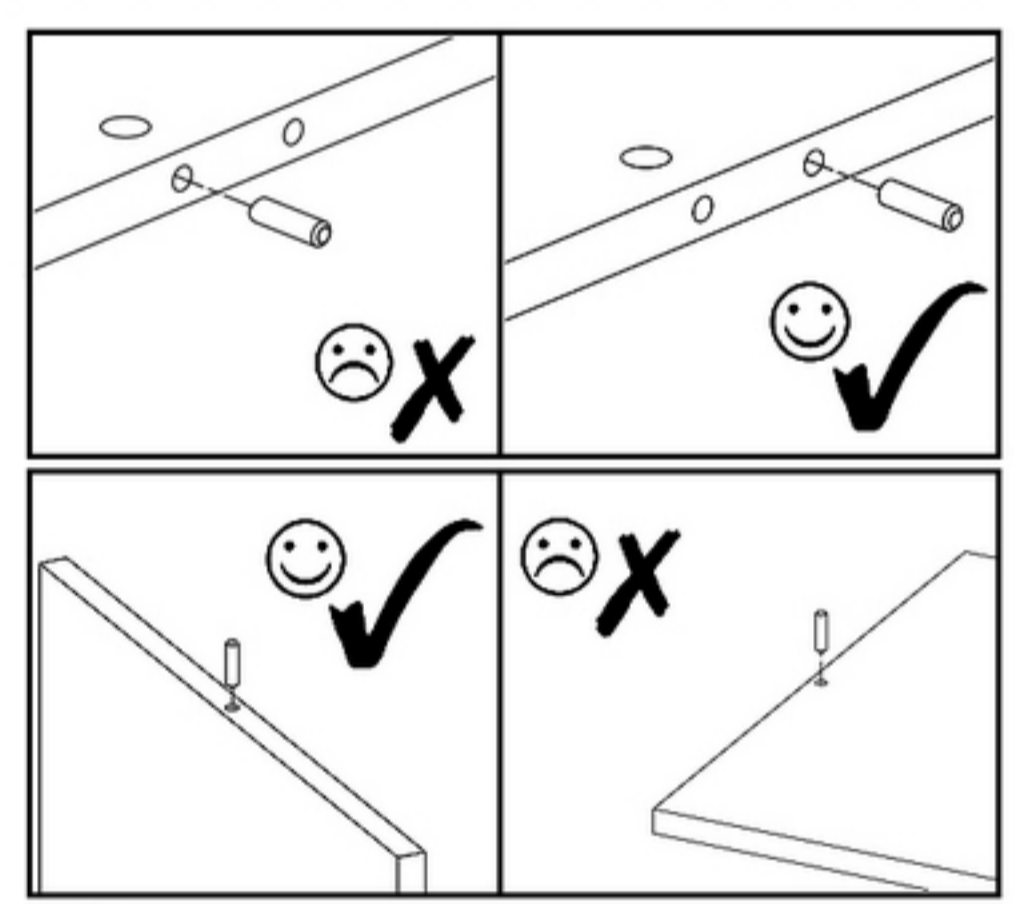
<b>9</b>	x	<b>1</b>
<b>10</b>	x	<b>3</b>
<b>11</b>	x	<b>3</b>
<b>12</b>	x	<b>6</b>
<b>13</b>	x	<b>3</b>
<b>14</b>	x	<b>3</b>
<b>15</b>	x	<b>3</b>

<b>D2</b>  x 4	<b>P3</b>  x 2	<b>S15</b>  x 4	<b>E1</b>  x 4	<b>E3</b>  x 4
---	---	--	---	---

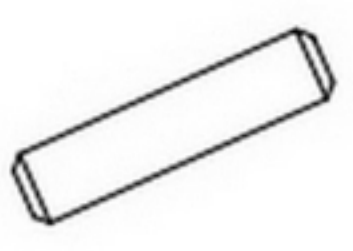



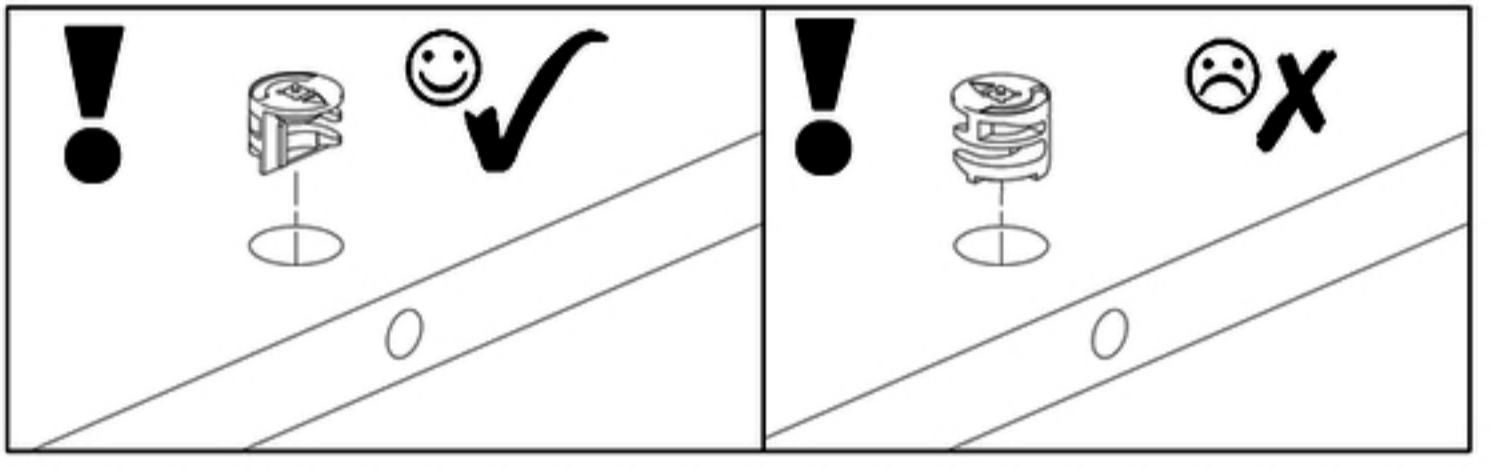
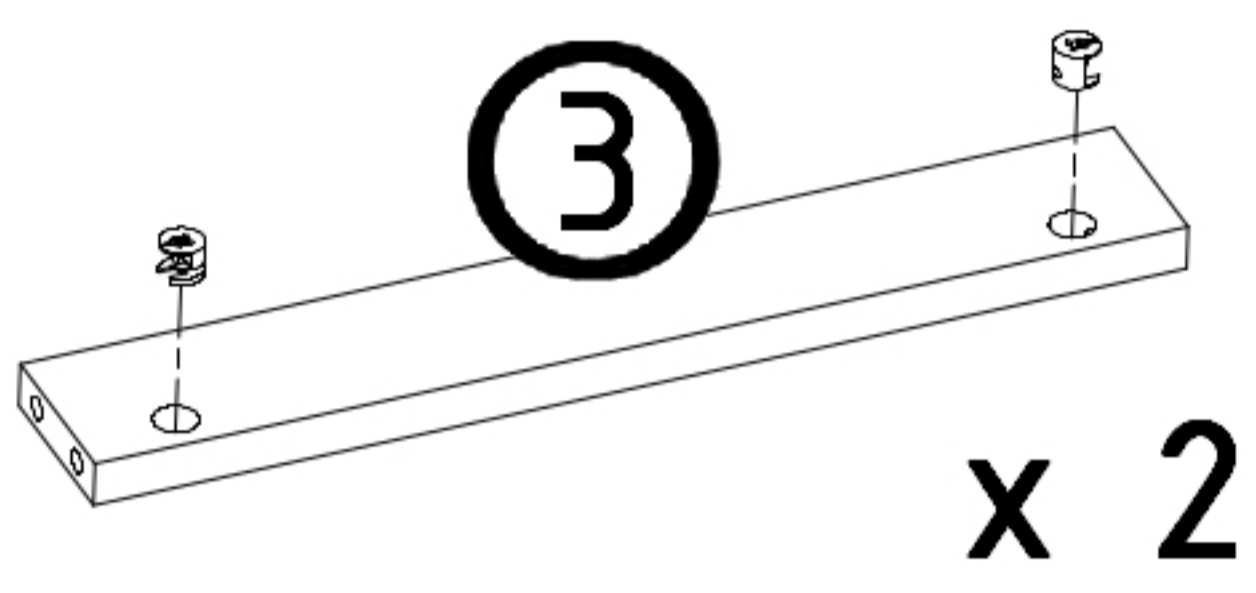
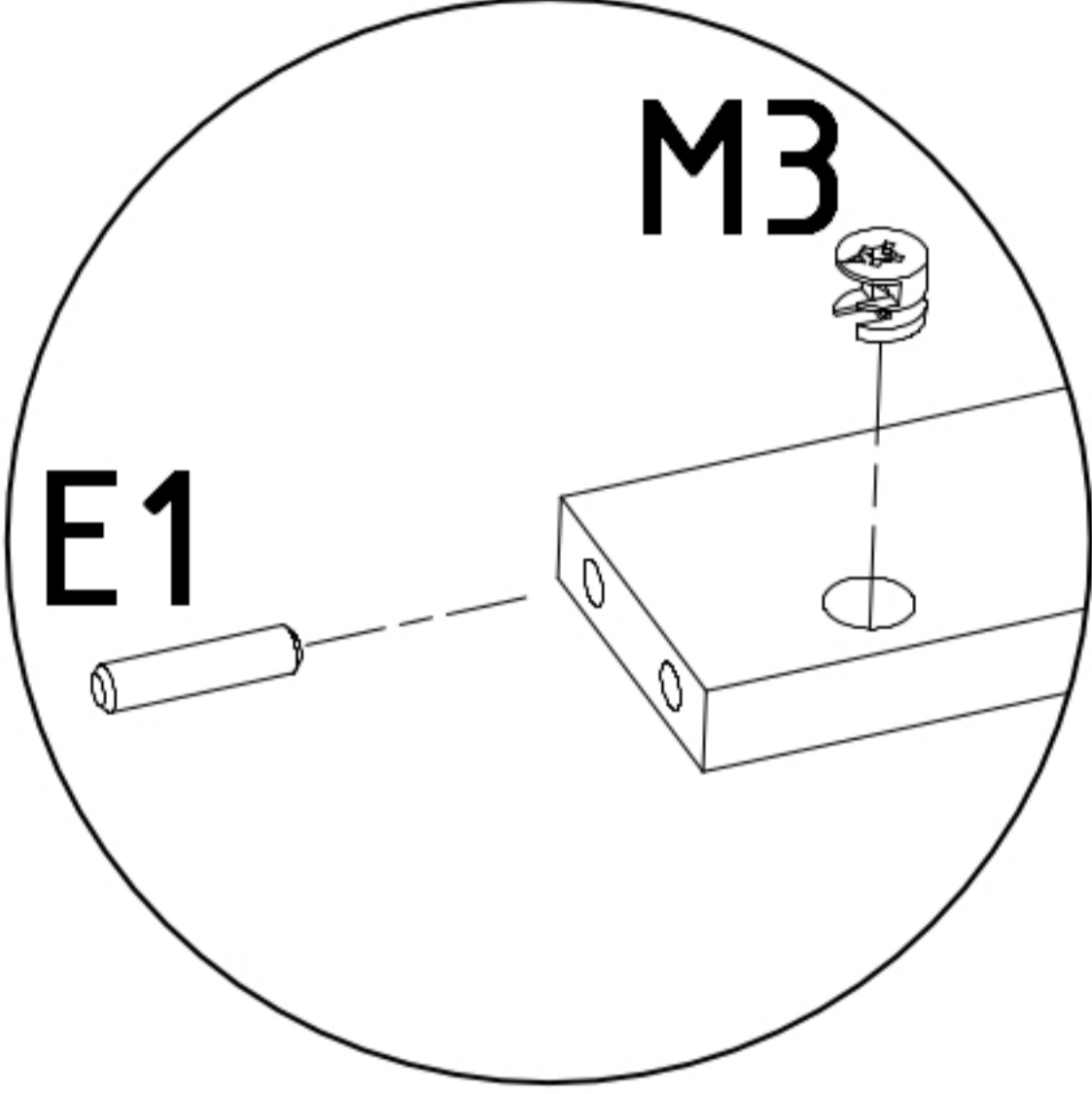
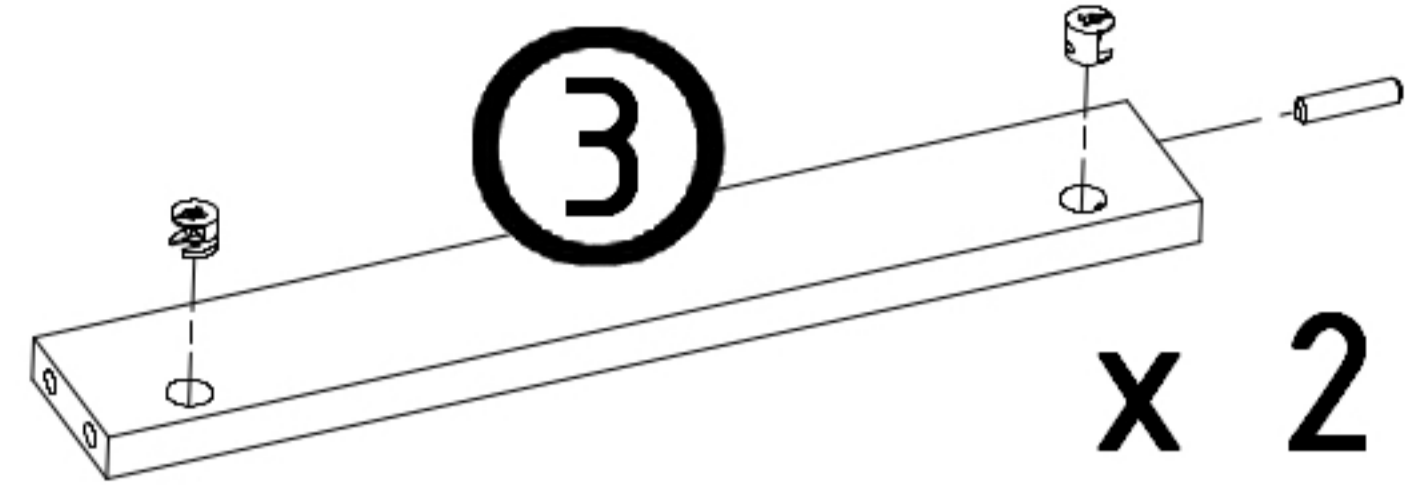
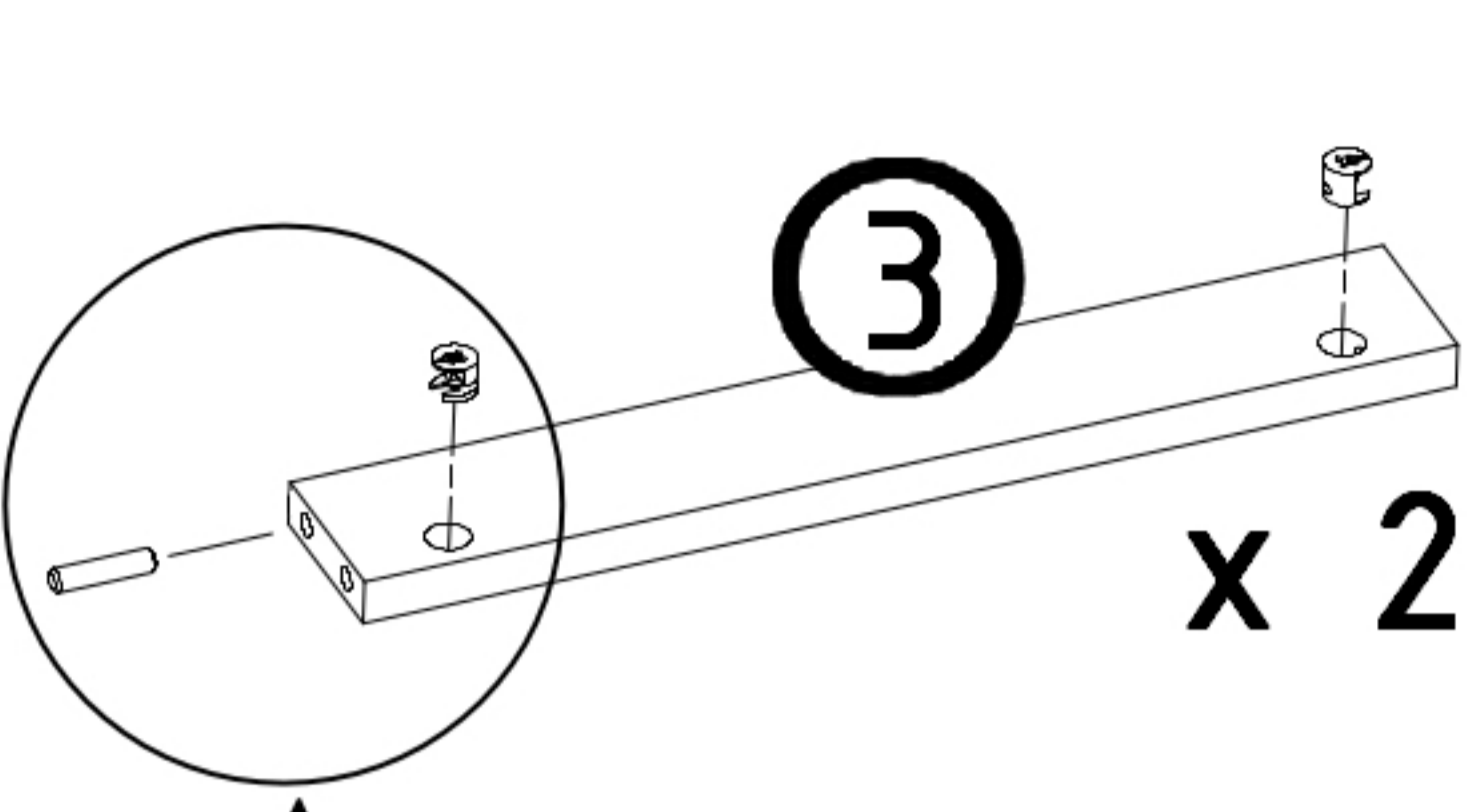
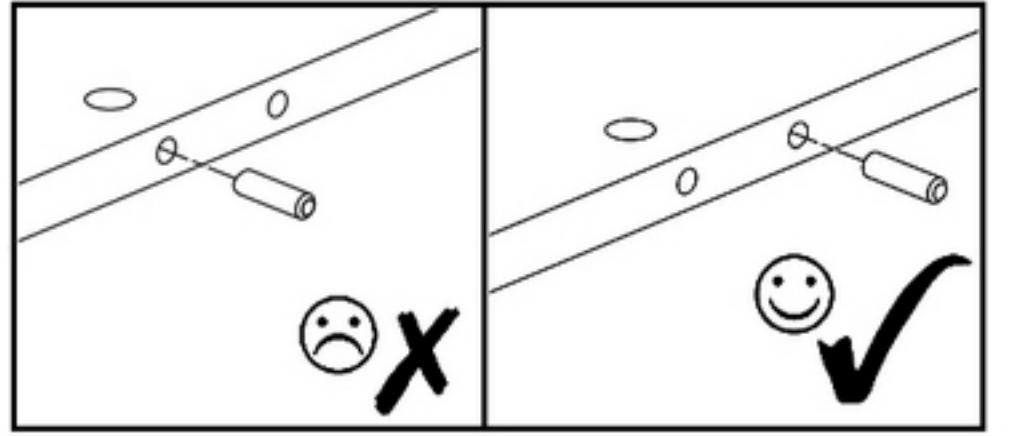
x 2



<b>P3</b>  x 2	<b>S15</b>  x 4	<b>D2</b>  x 4	<b>M3</b>  x 4
--	--	---	---

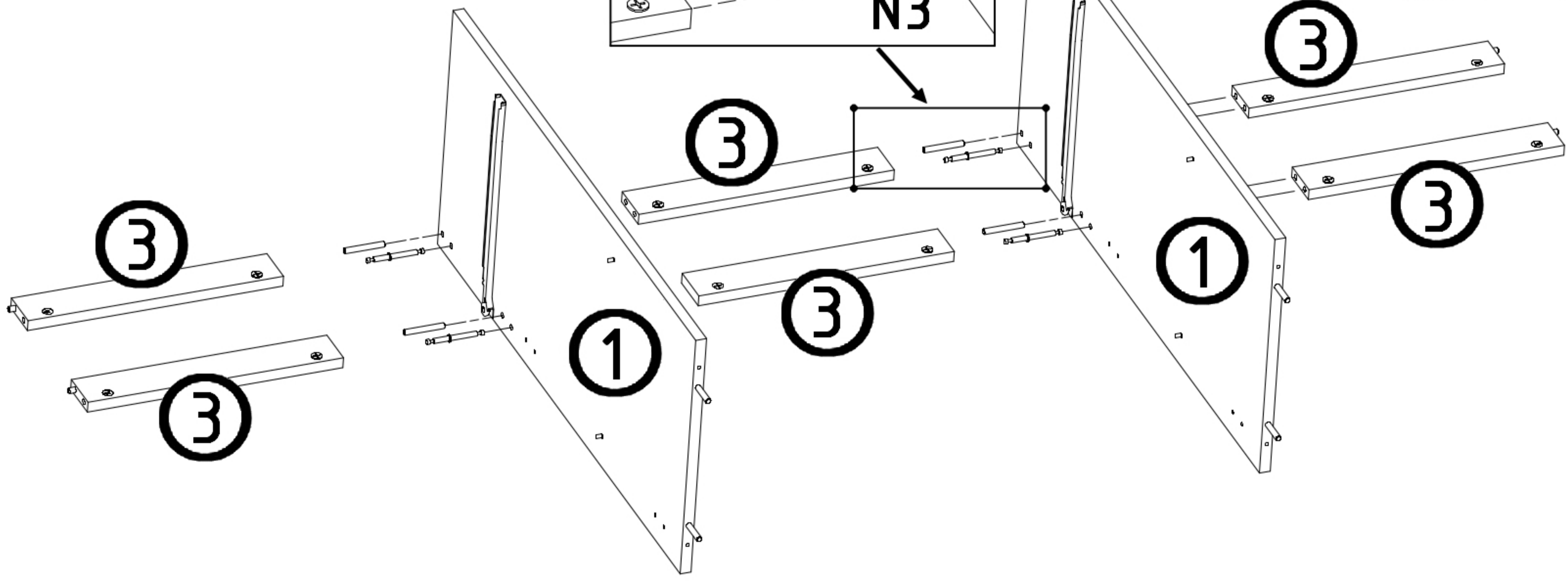
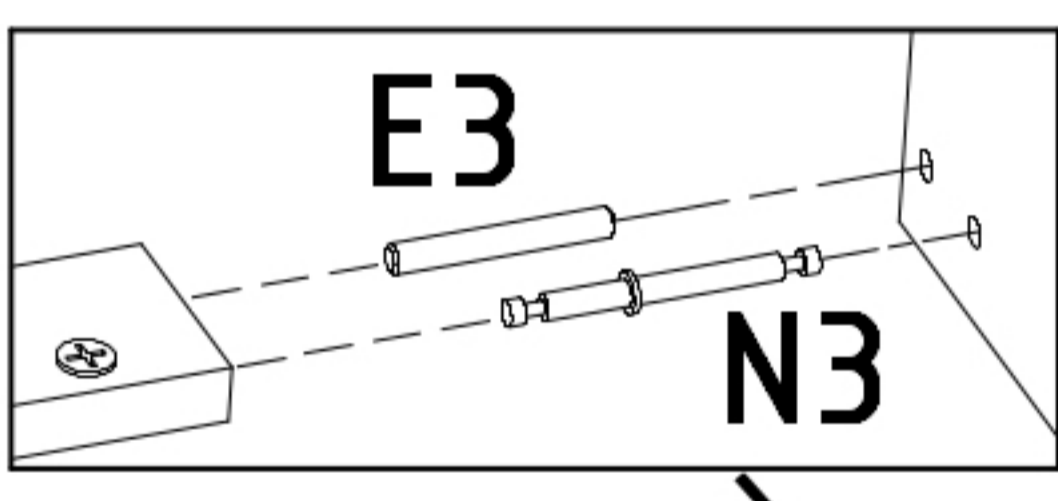
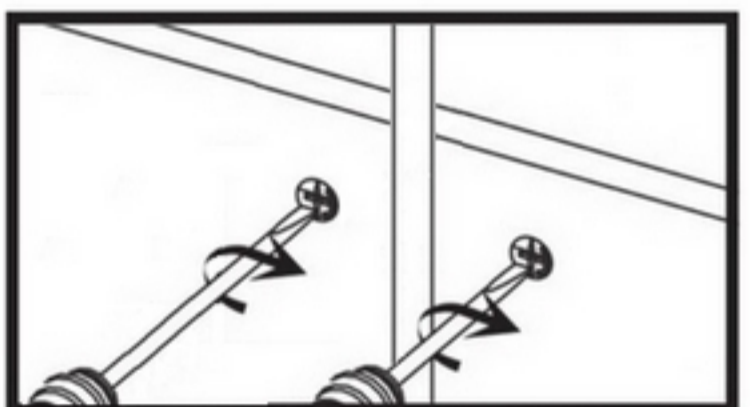
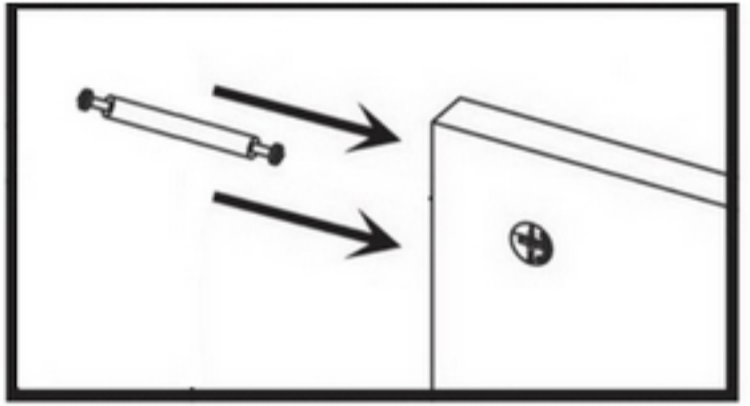




x 2

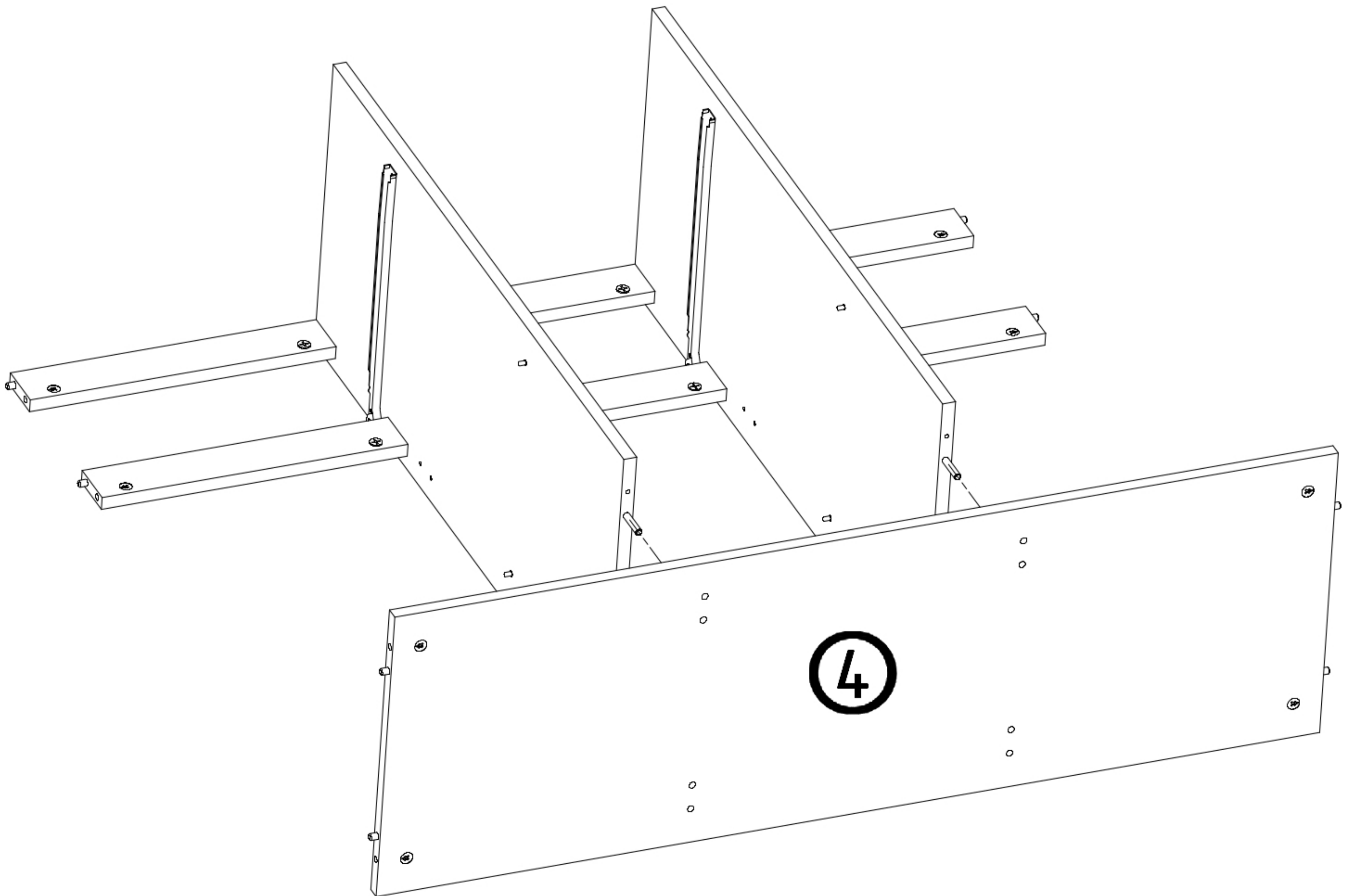
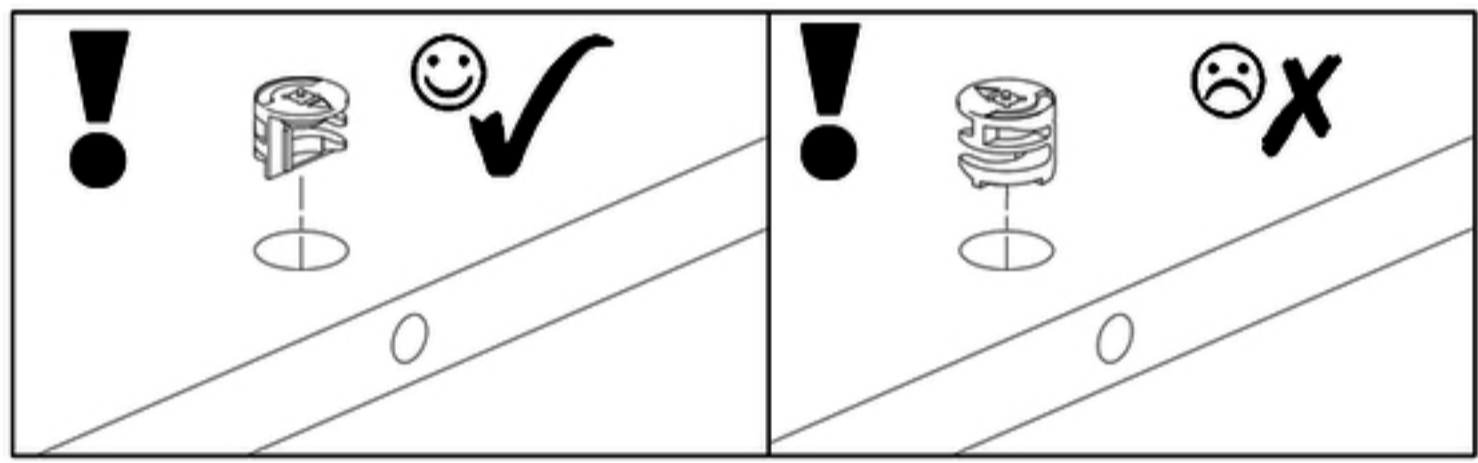
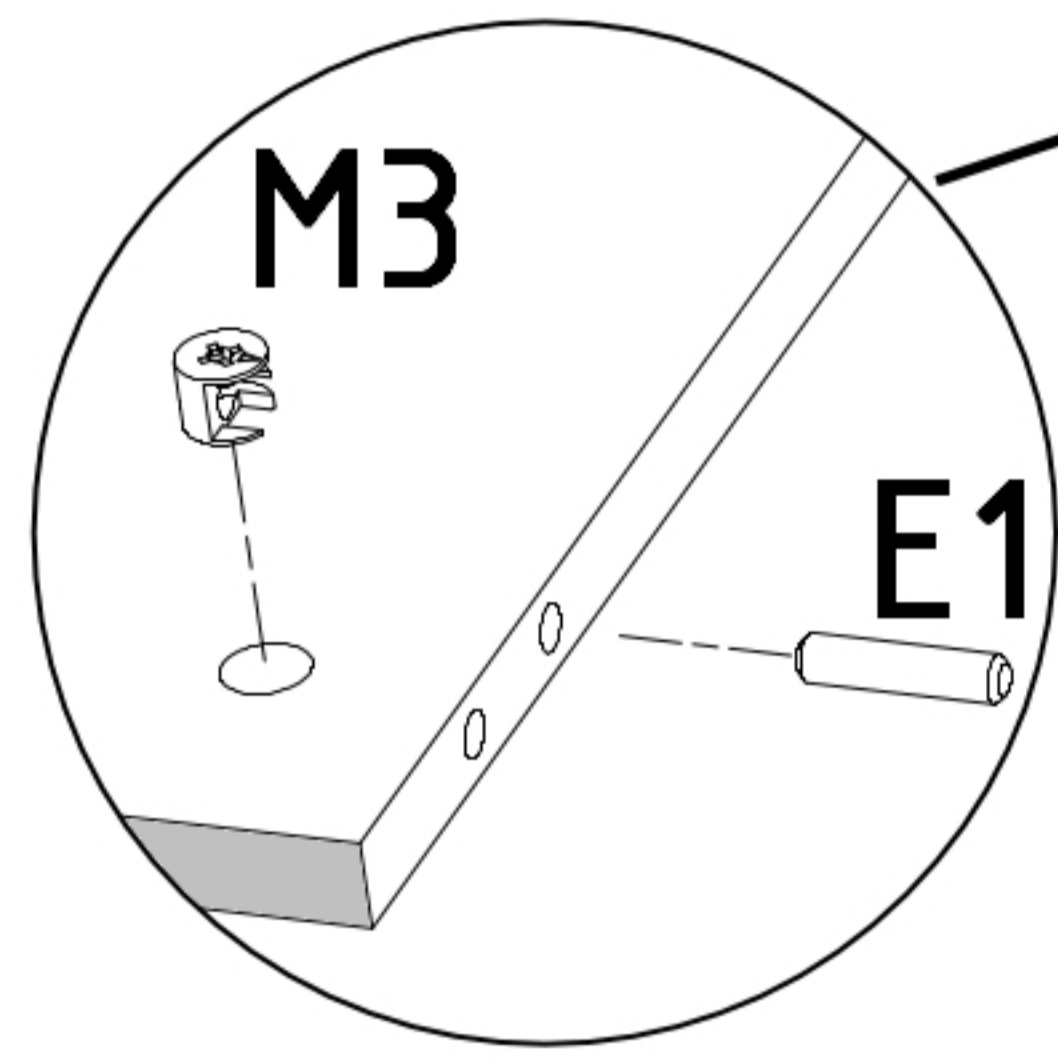
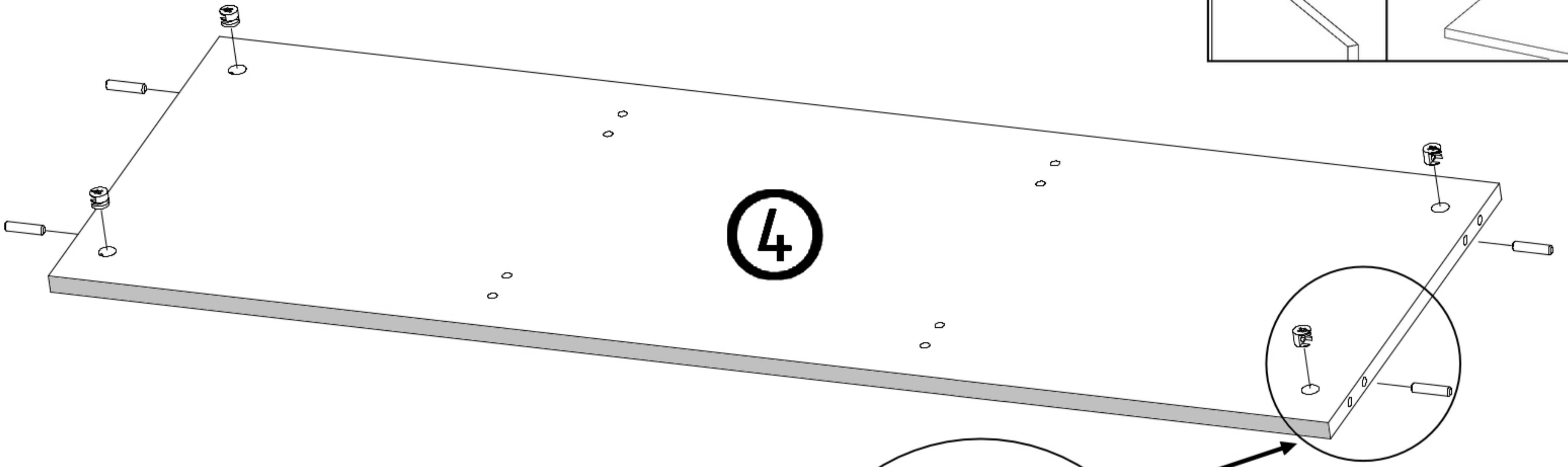
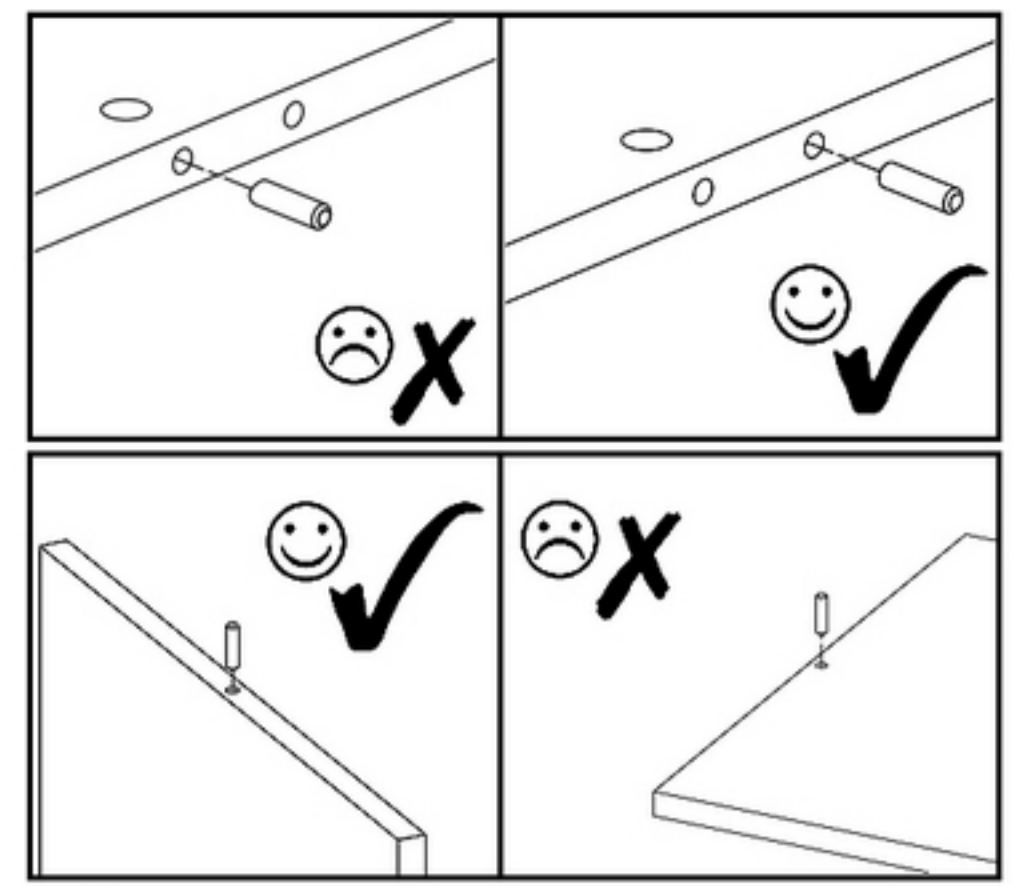
<b>E1</b>  <b>x 4</b>	<b>M3</b>  <b>x 12</b>
---	---

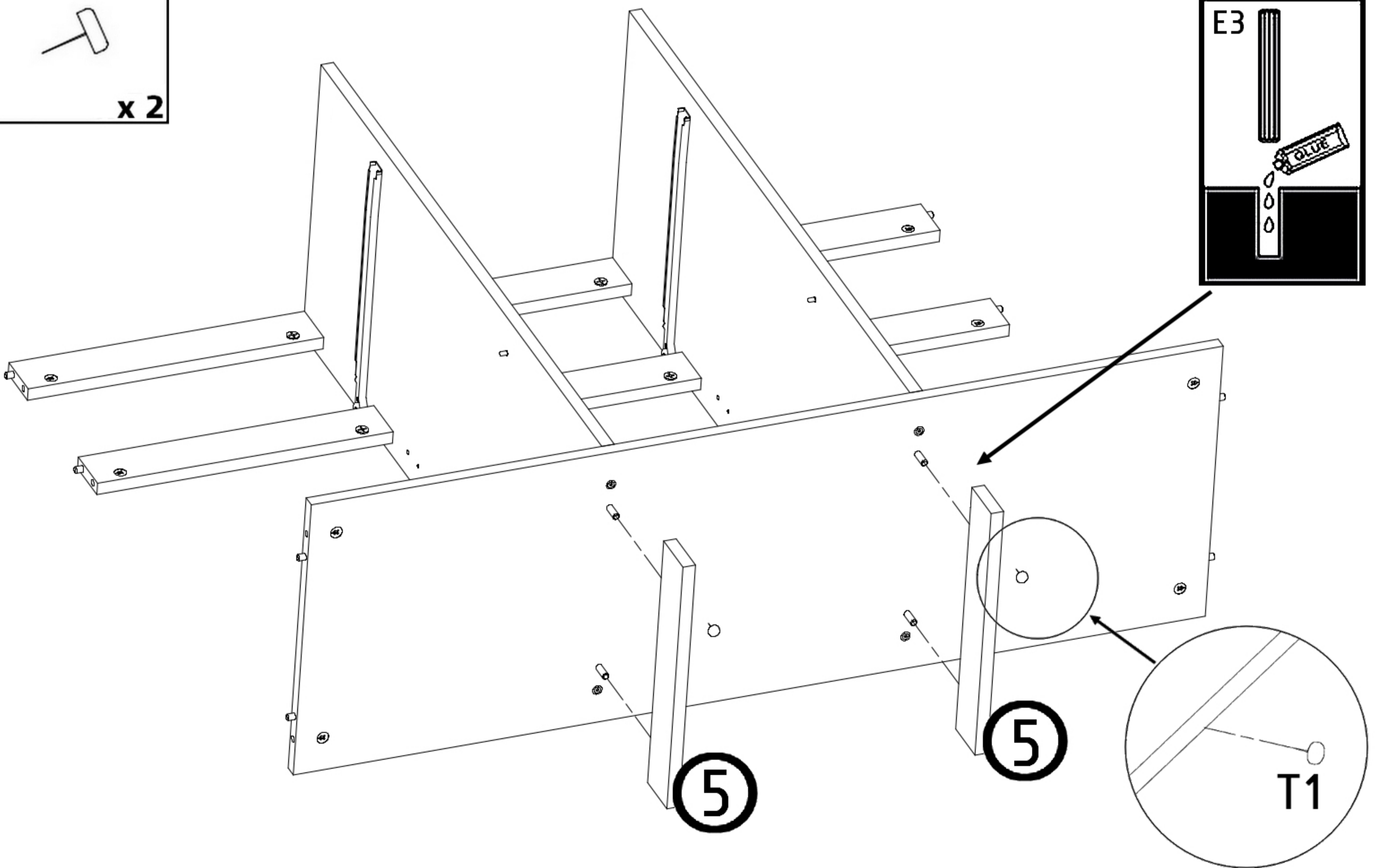
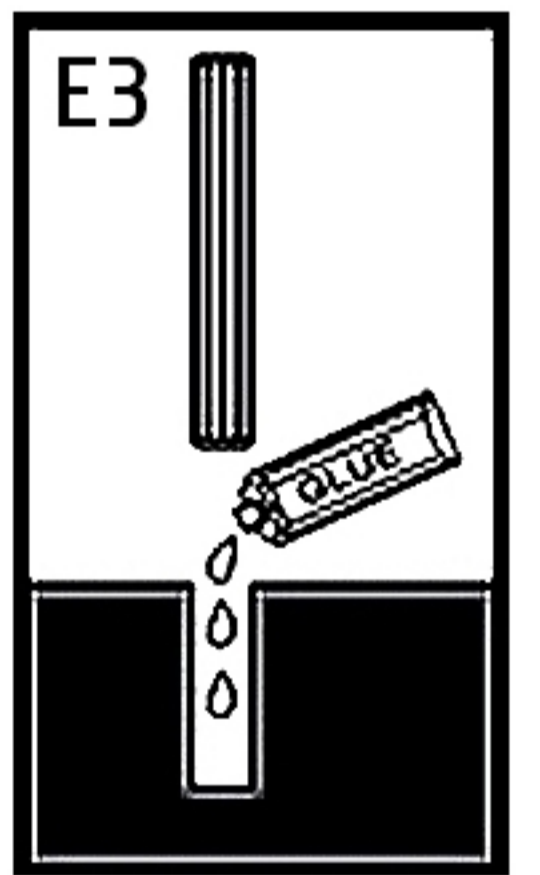
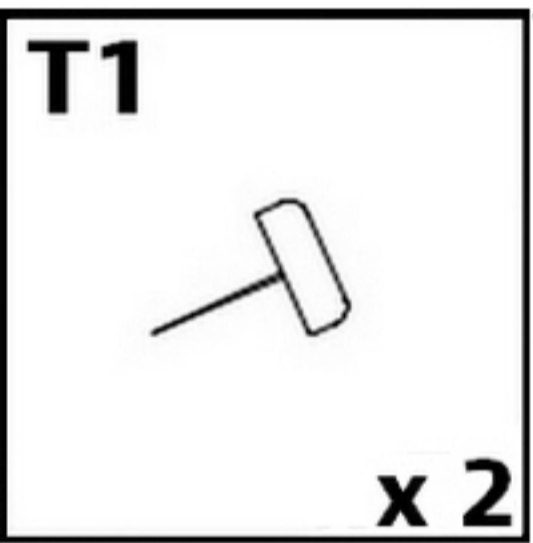
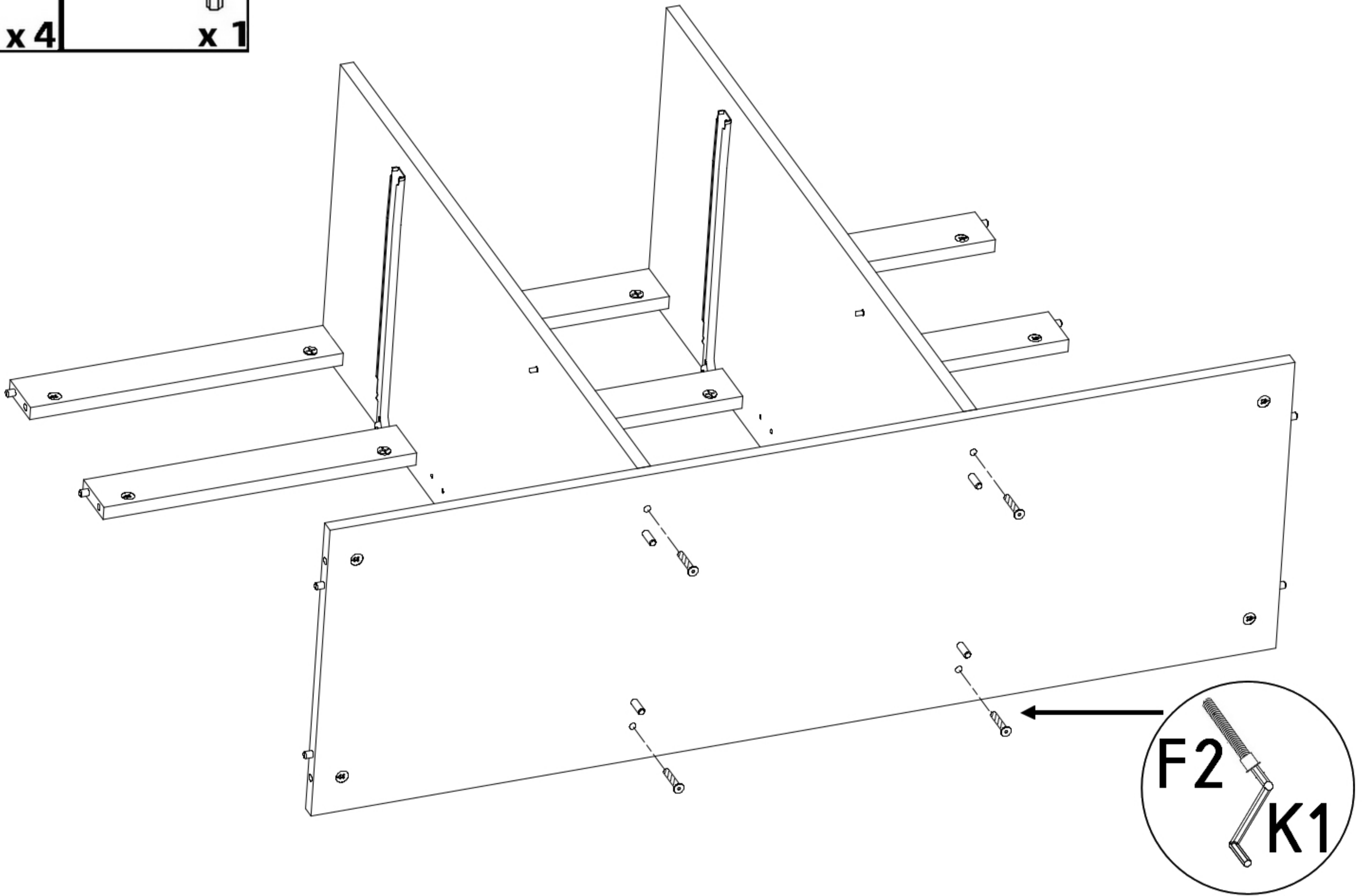
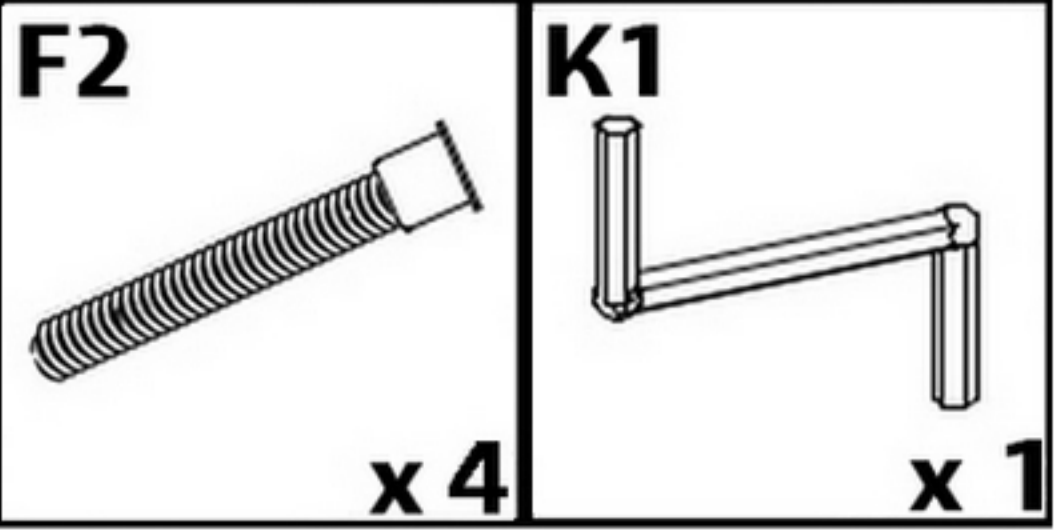









<b>N3</b>  <b>x 4</b>	<b>E3</b>  <b>x 4</b>
---	--

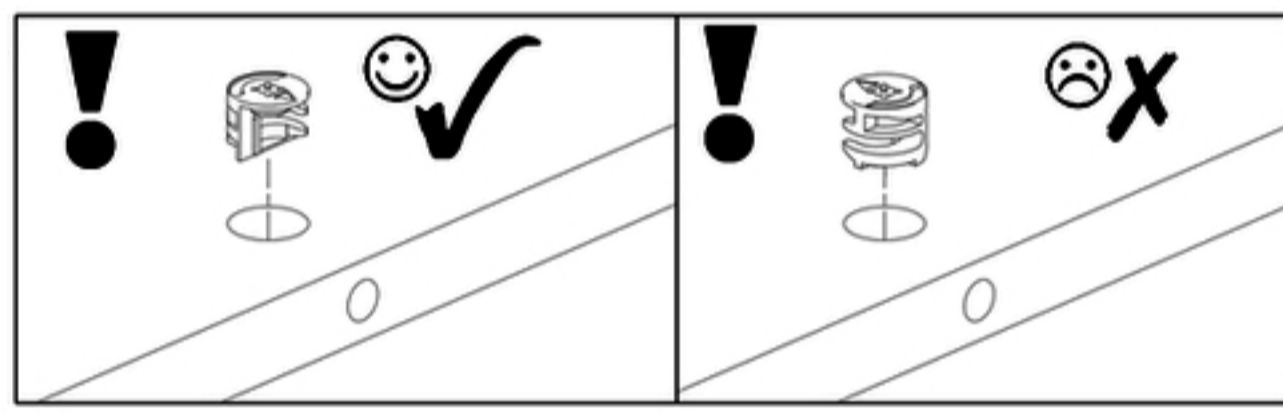
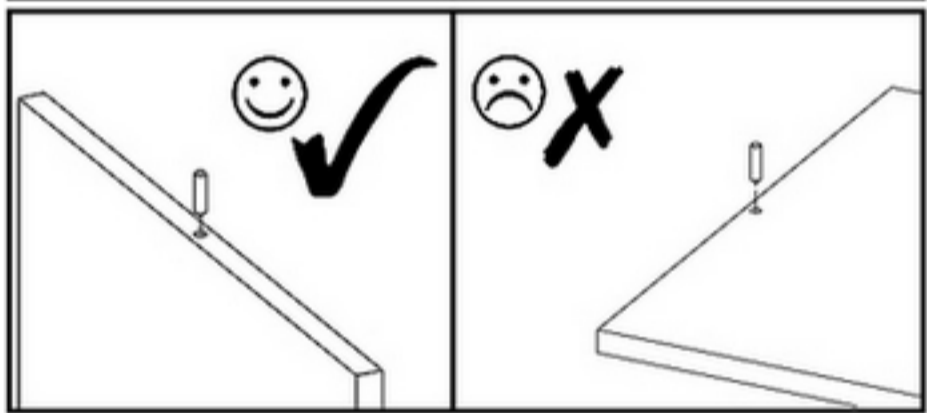
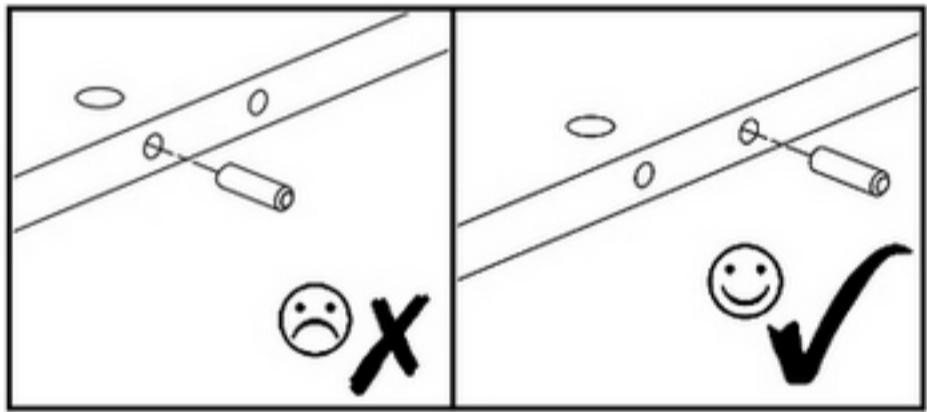
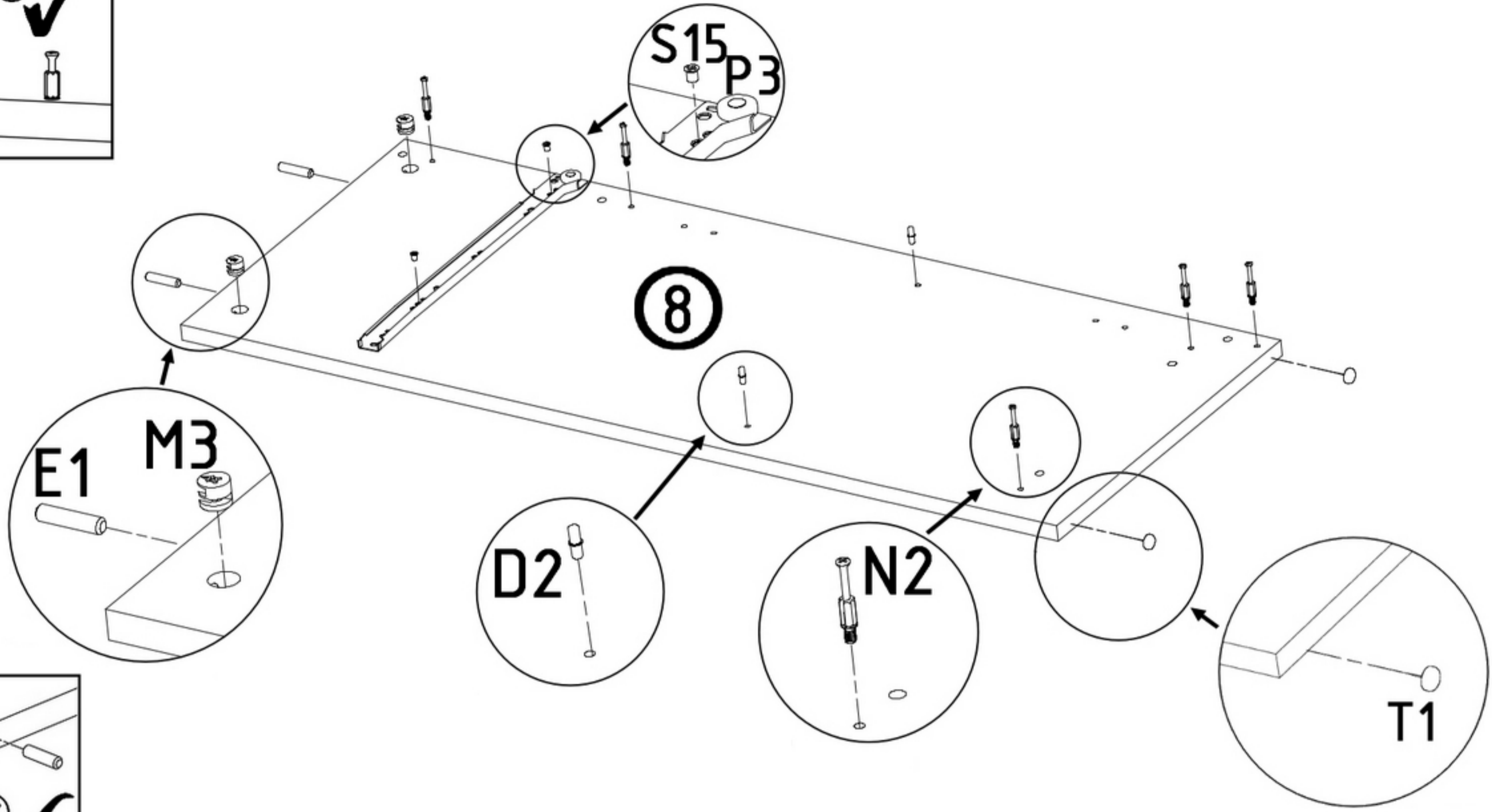
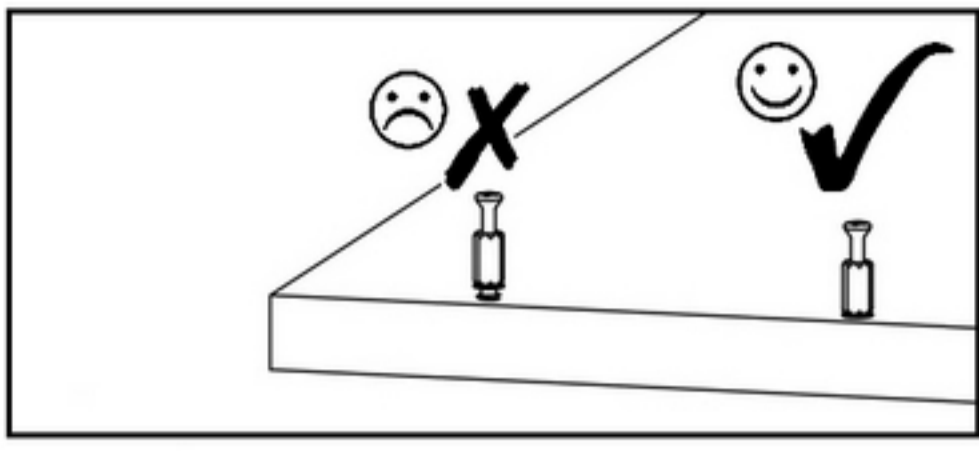









<b>E1</b>  <b>x 4</b>	<b>M3</b>  <b>x 4</b>
---	--

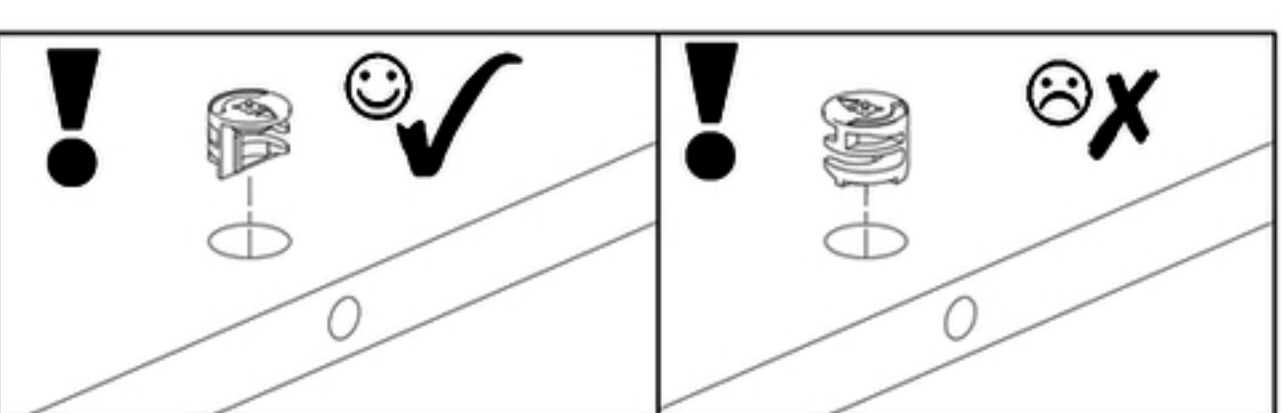
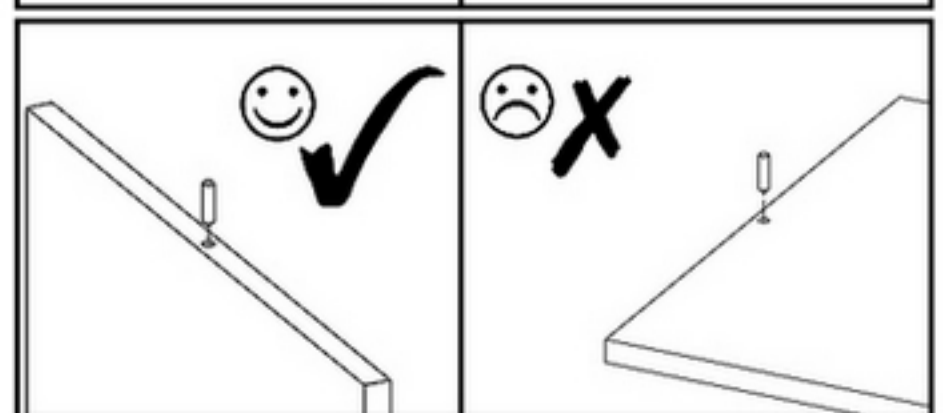
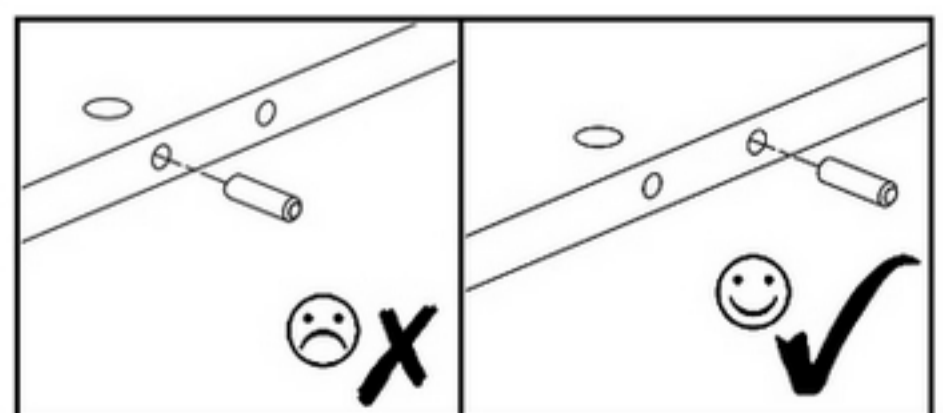
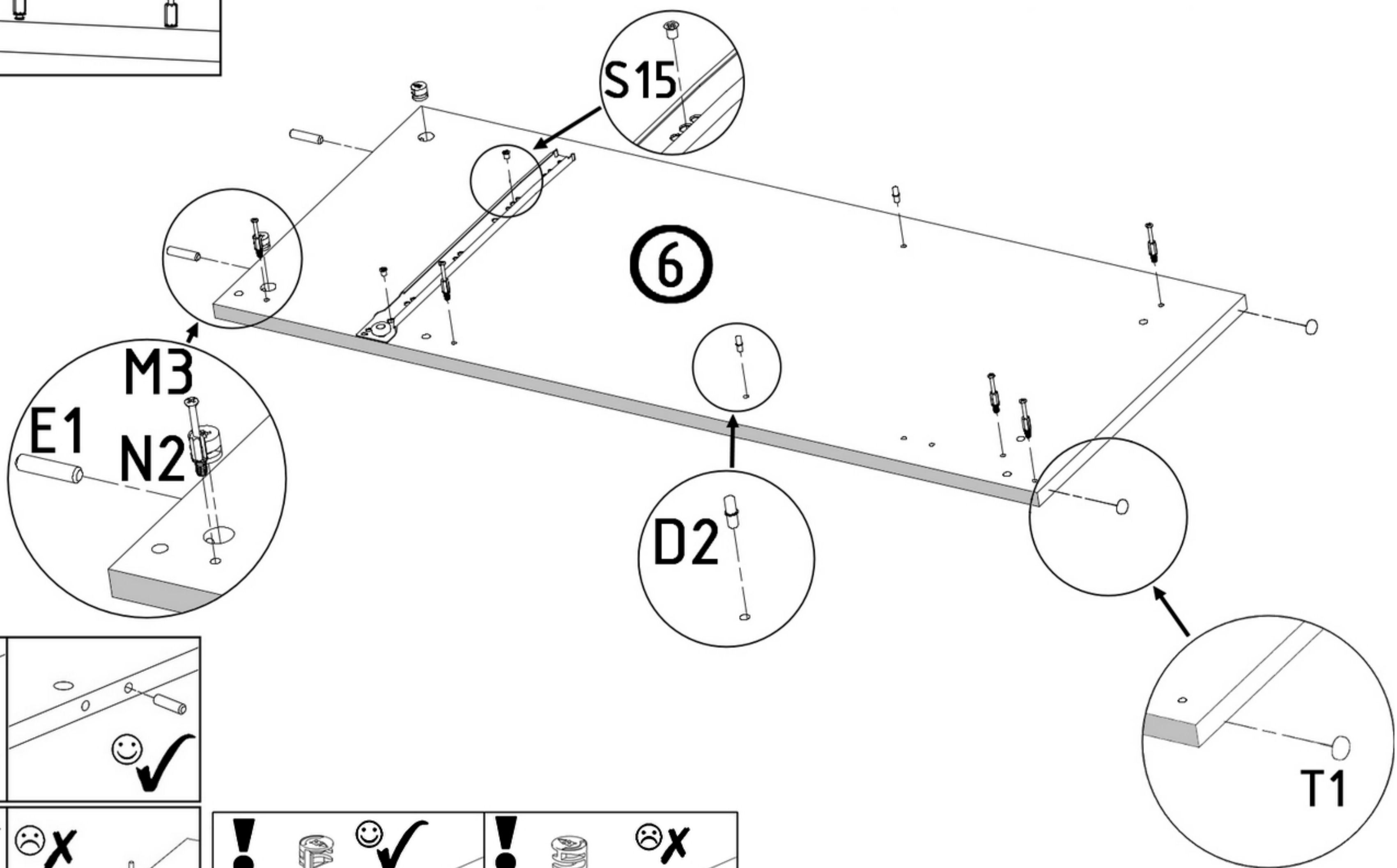
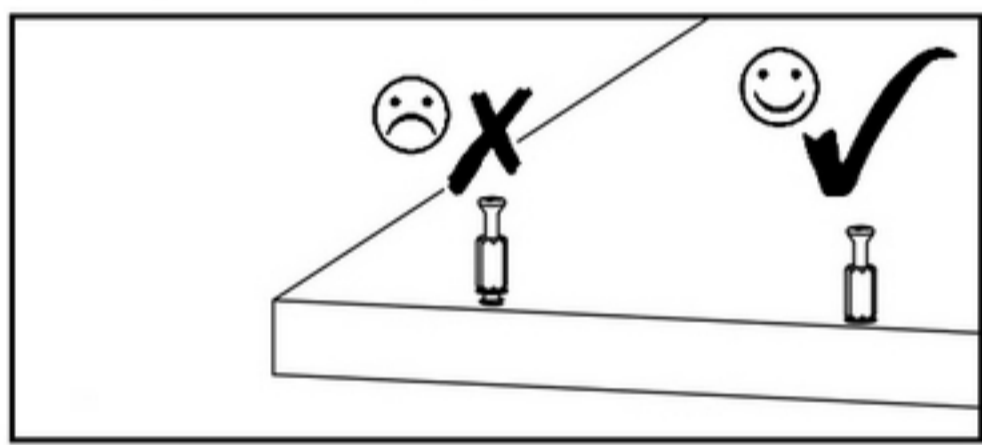






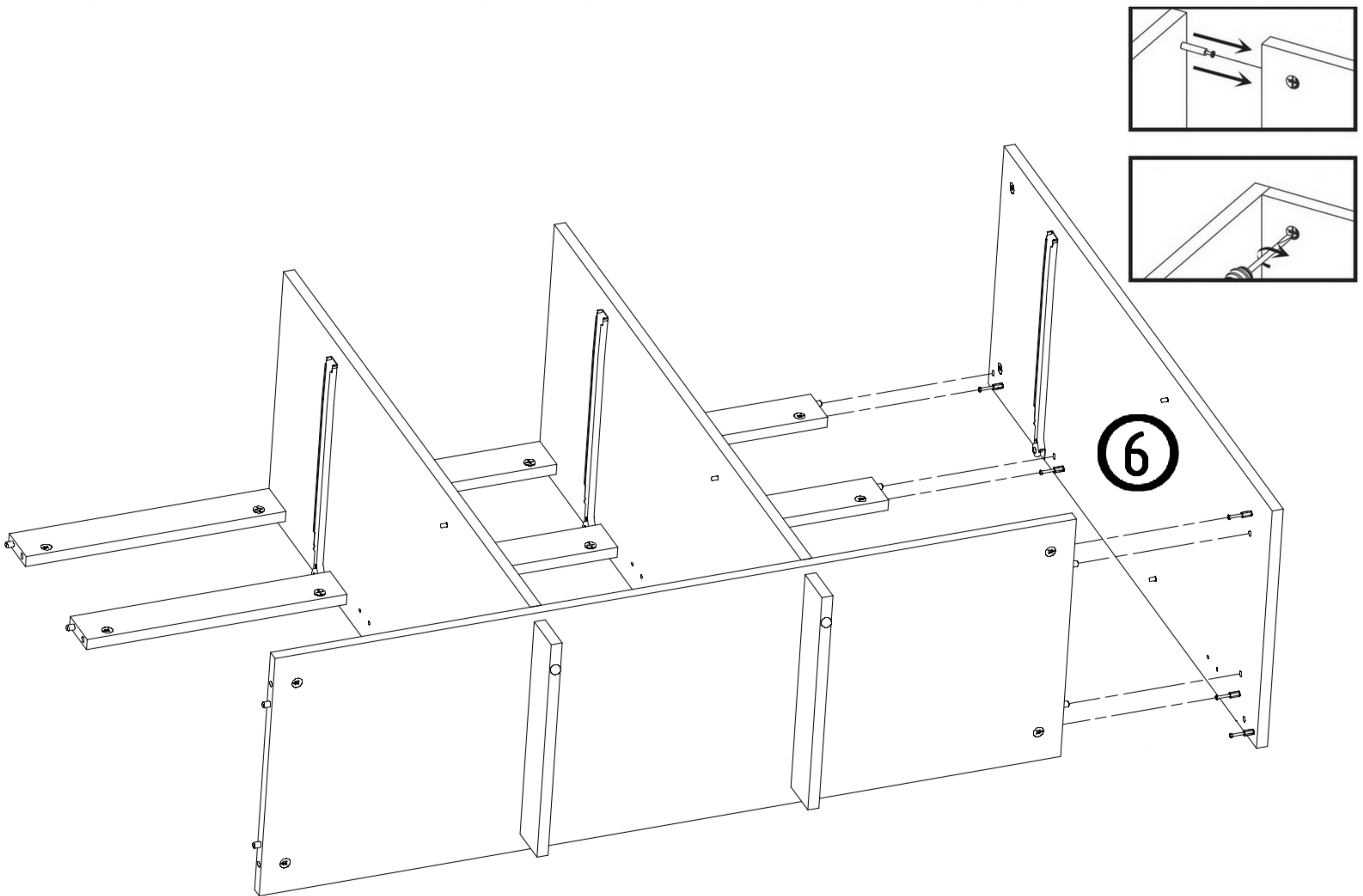
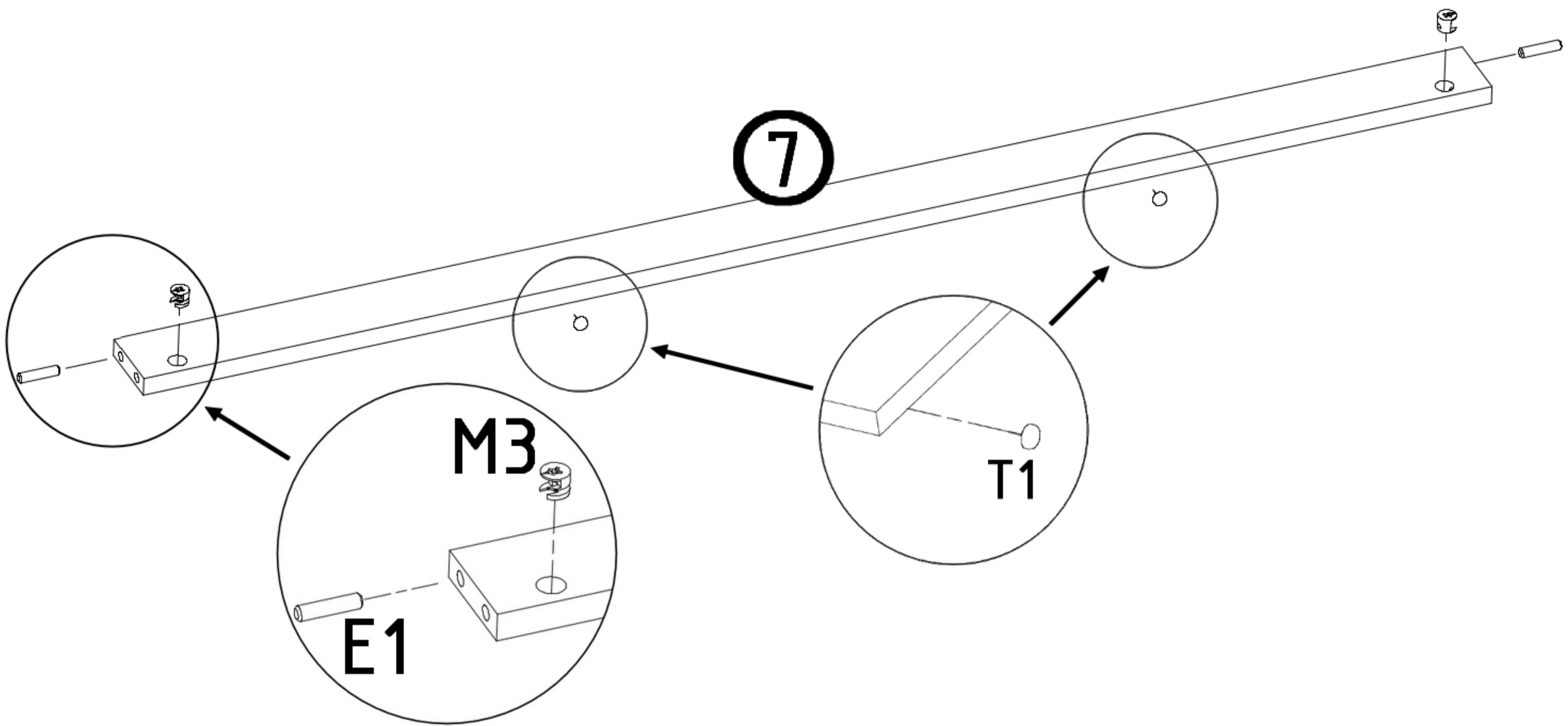
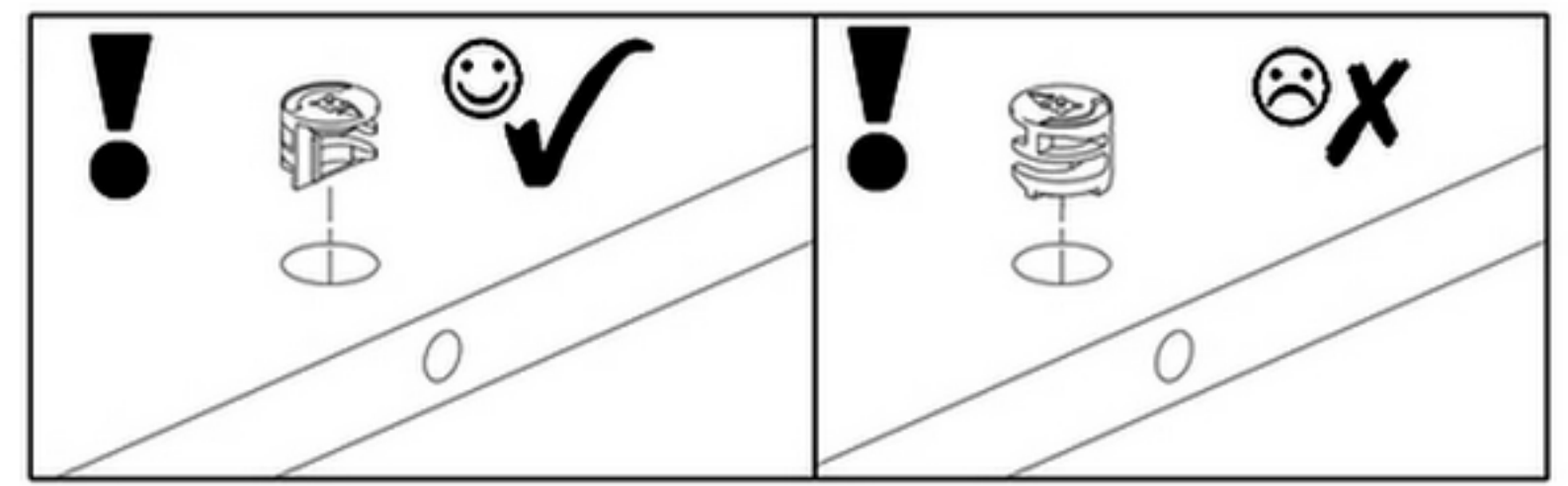
<b>D2</b>  x 2	<b>M3</b>  x 2	<b>P3</b>  x 1	<b>S15</b>  x 2	<b>E1</b>  x 2	<b>N2</b>  x 5	<b>T1</b>  x 2
---	---	---	--	---	---	---



<b>D2</b>  x 2	<b>P3</b>  x 1	<b>S15</b>  x 2	<b>E1</b>  x 2	<b>M3</b>  x 2	<b>N2</b>  x 5	<b>T1</b>  x 2
---	---	--	---	---	---	---

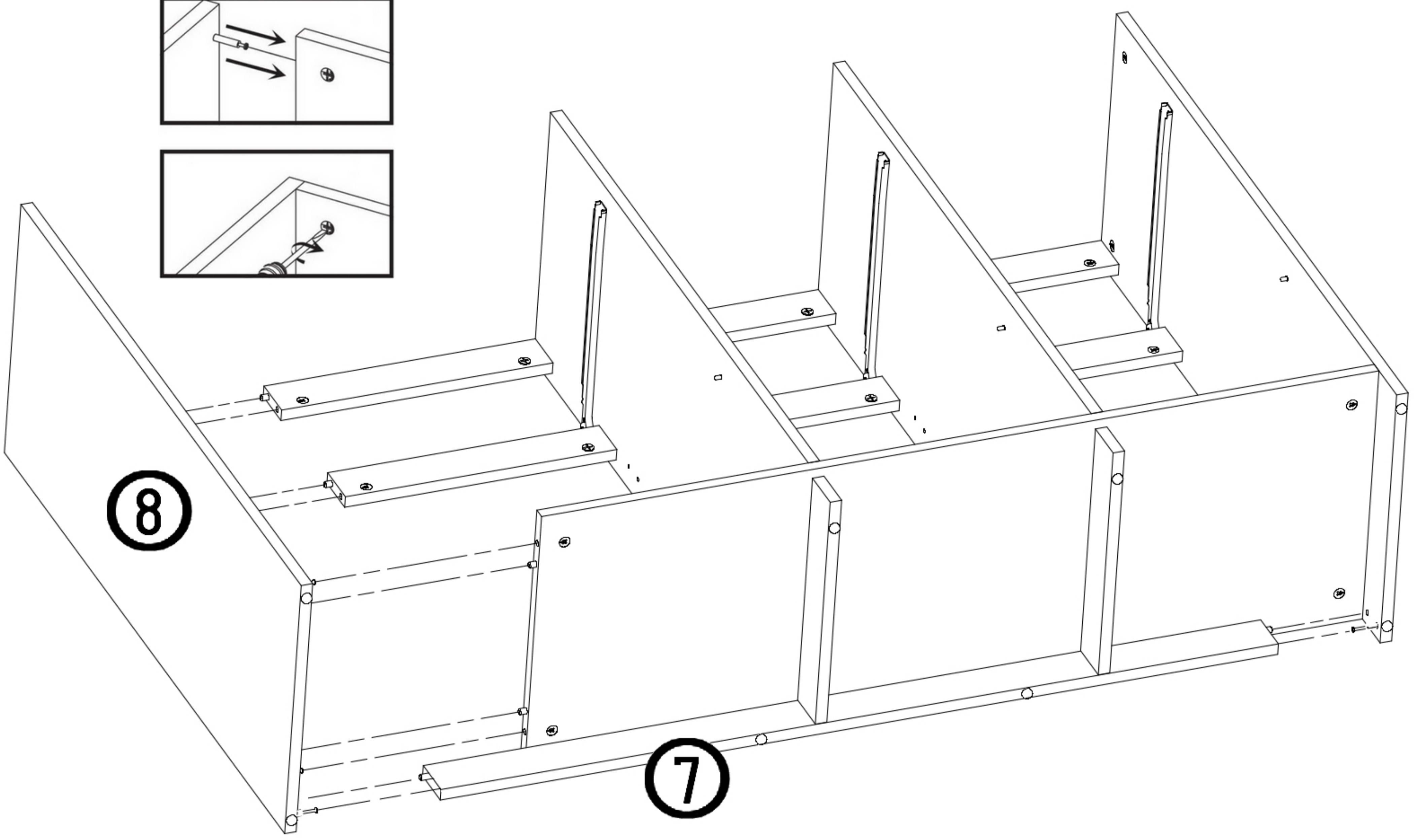
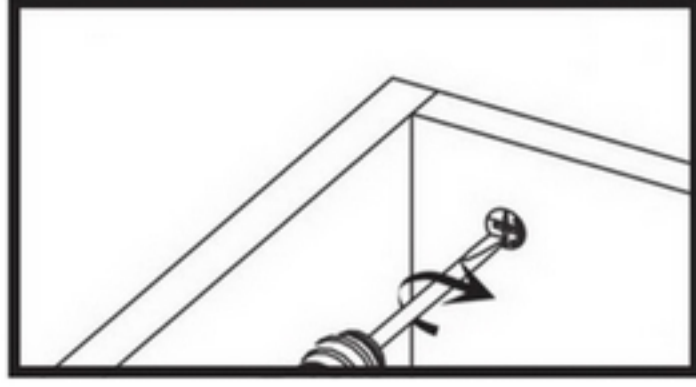
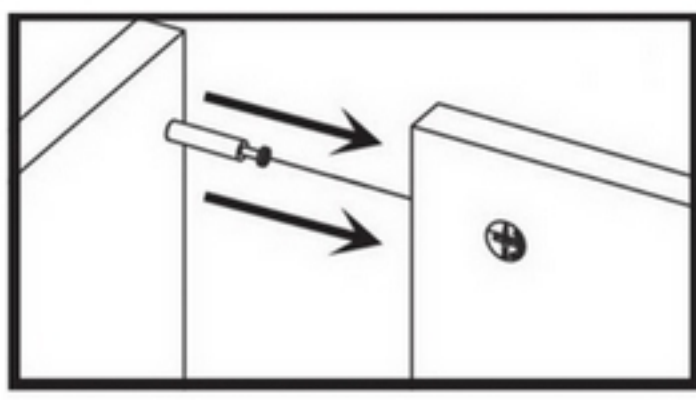


<b>E1</b>  x 2	<b>M3</b>  x 2	<b>T1</b>  x 2
--	---	---





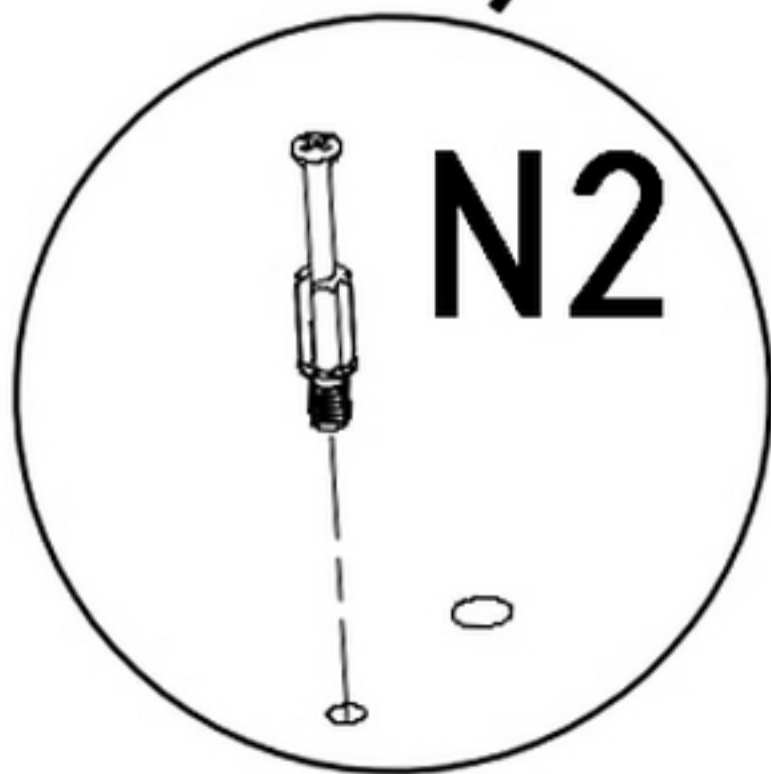
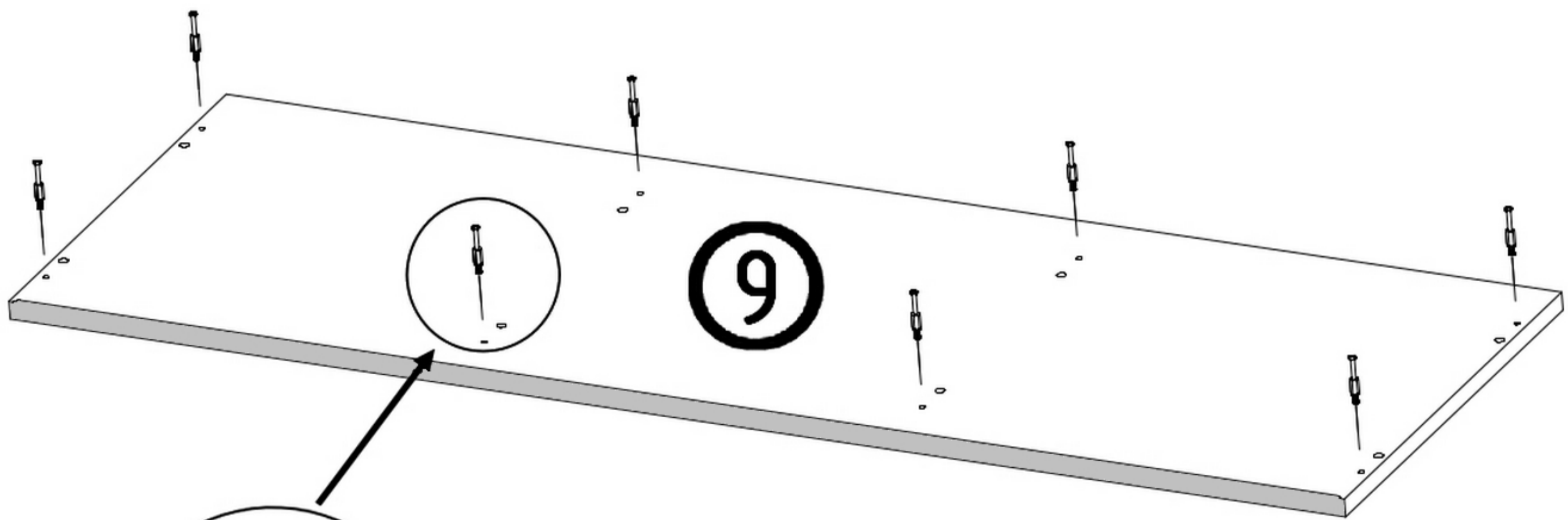
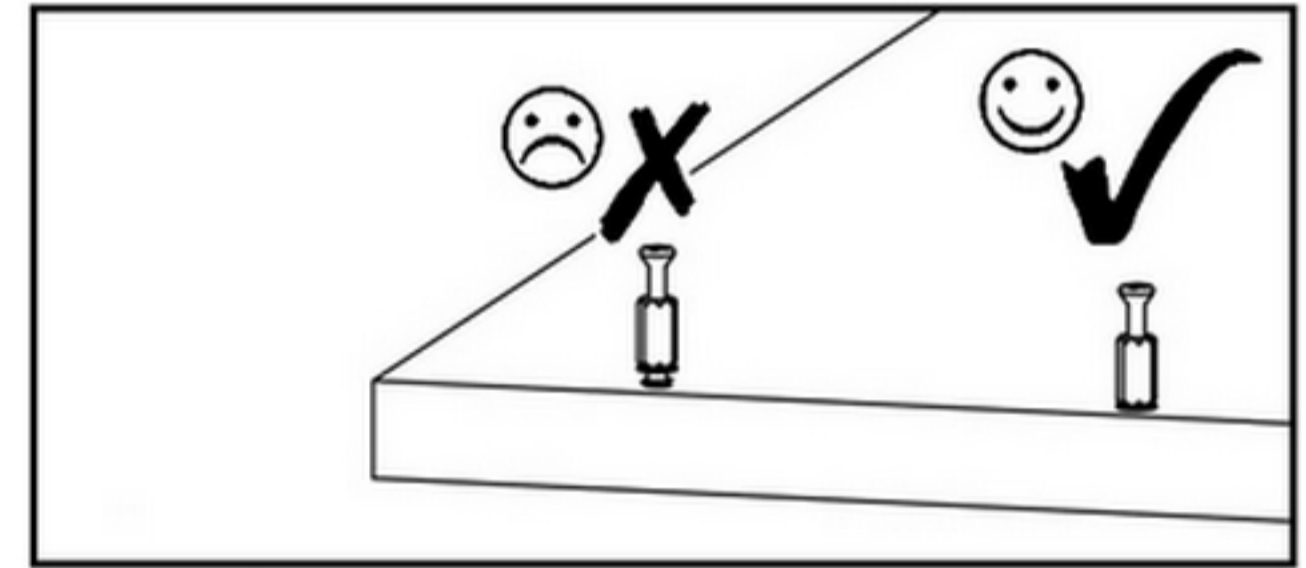
8



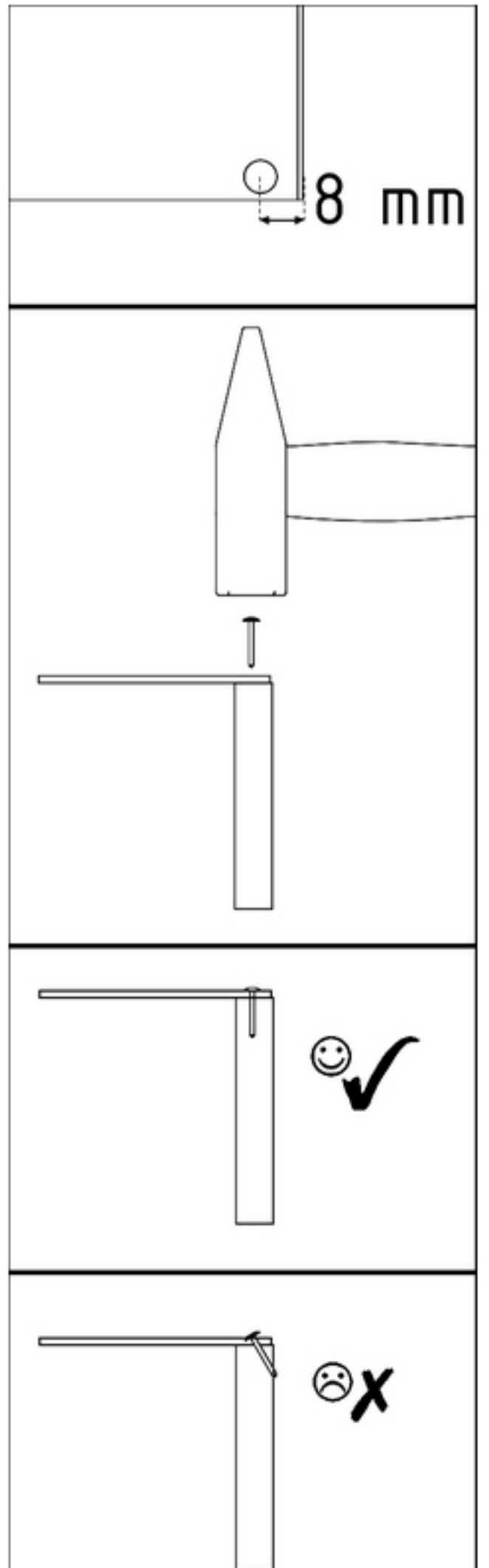
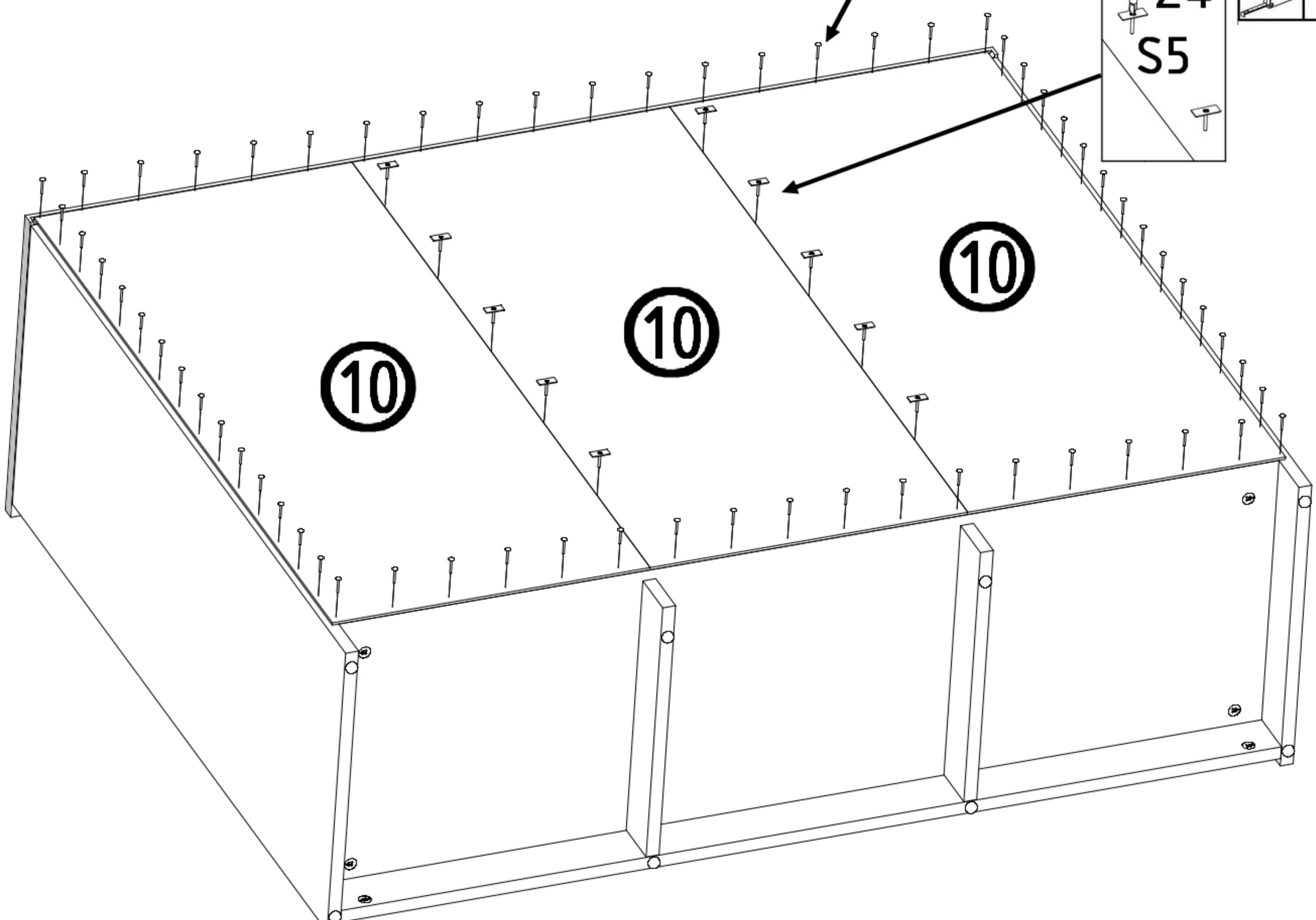
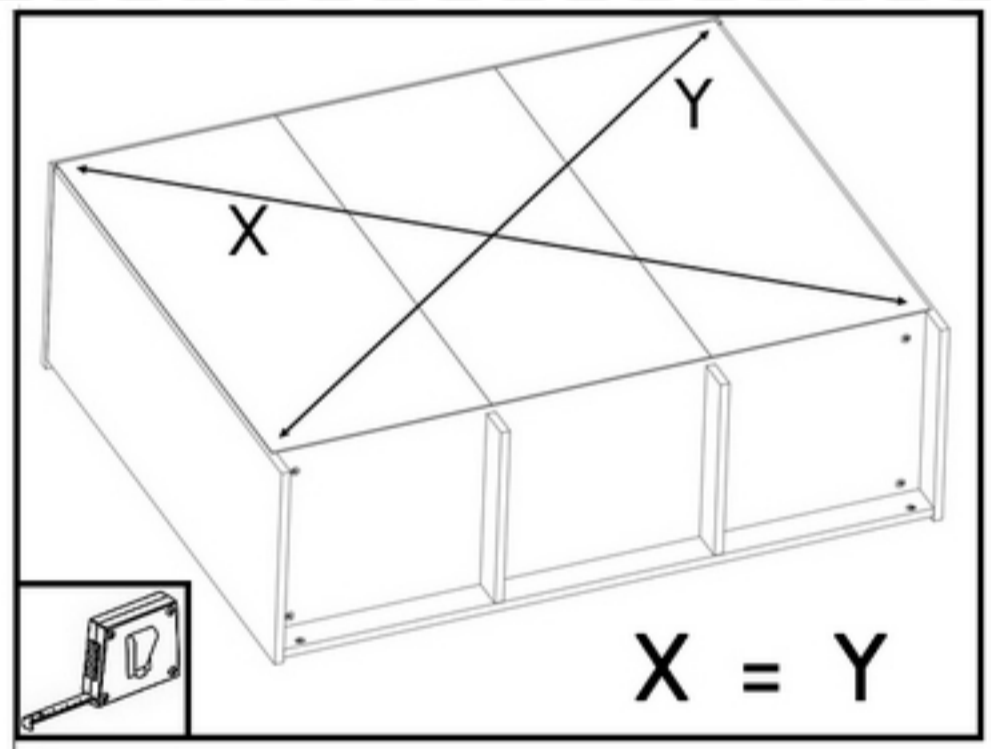
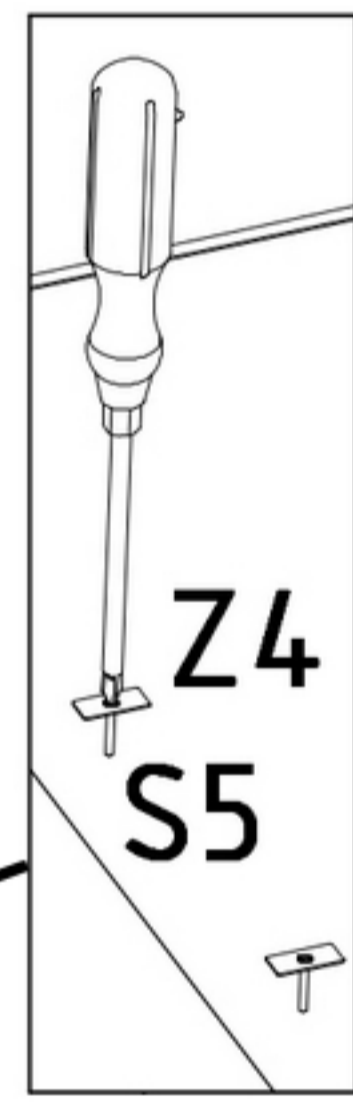
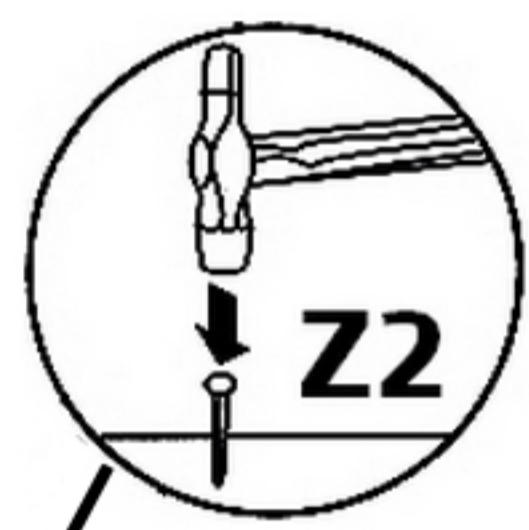
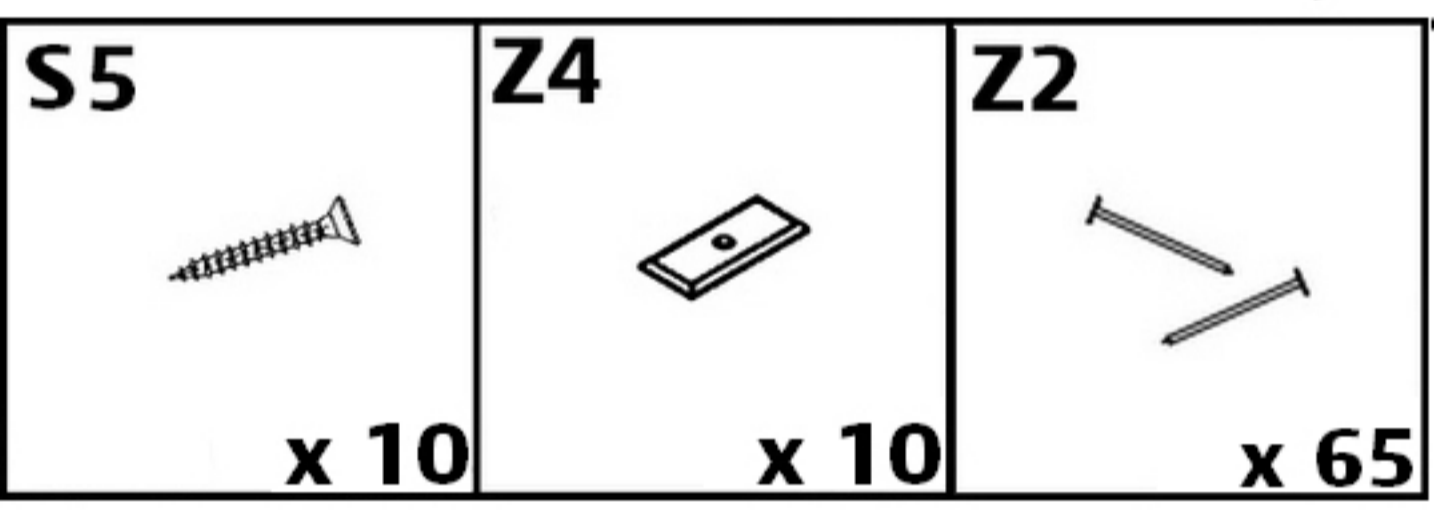
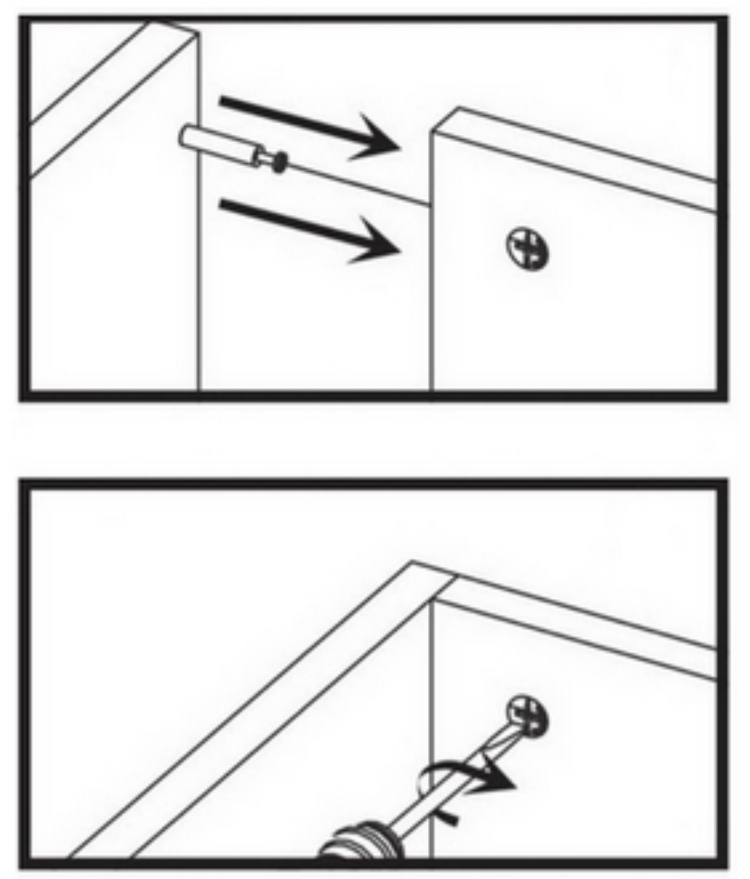
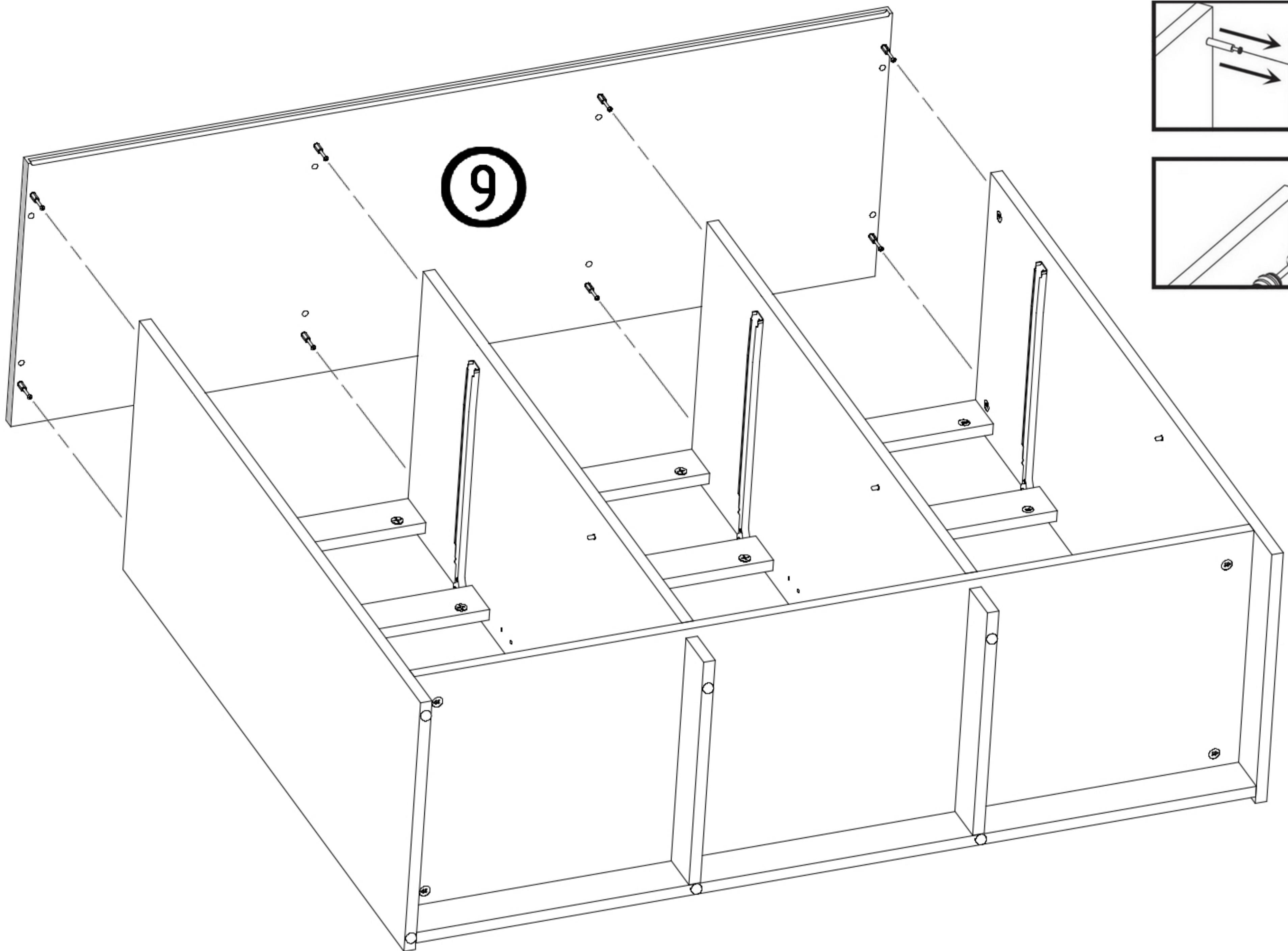
N2



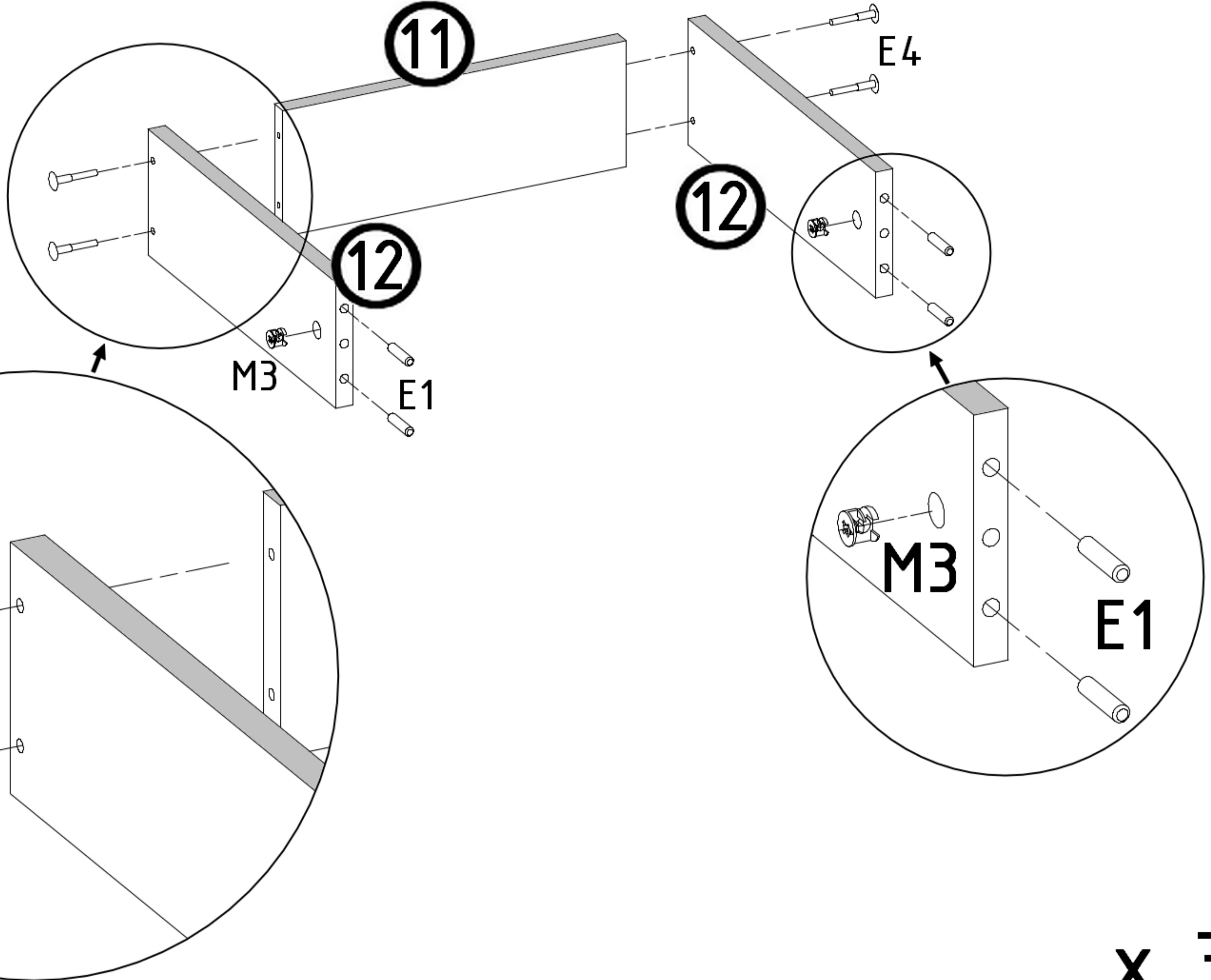
x 8



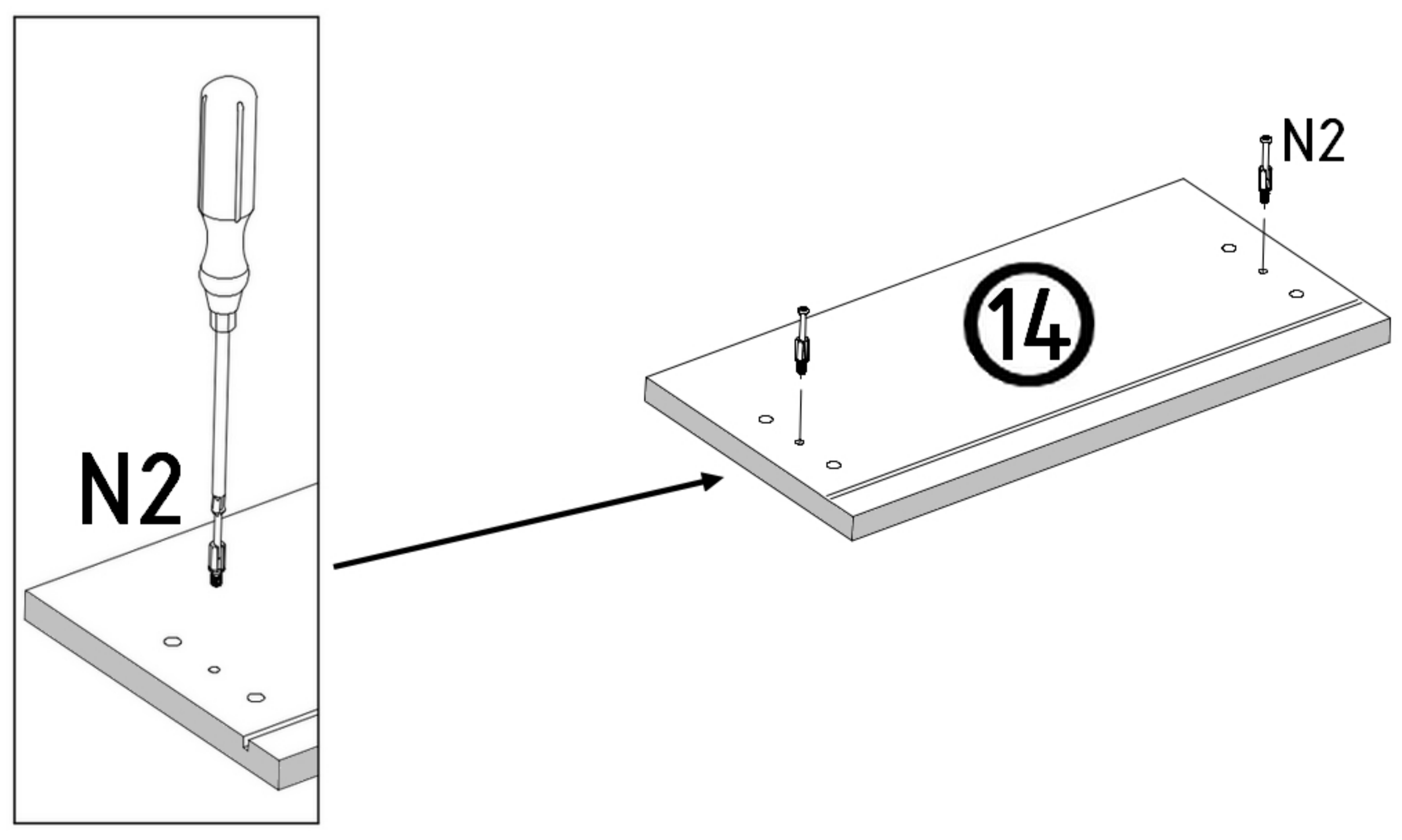
N2

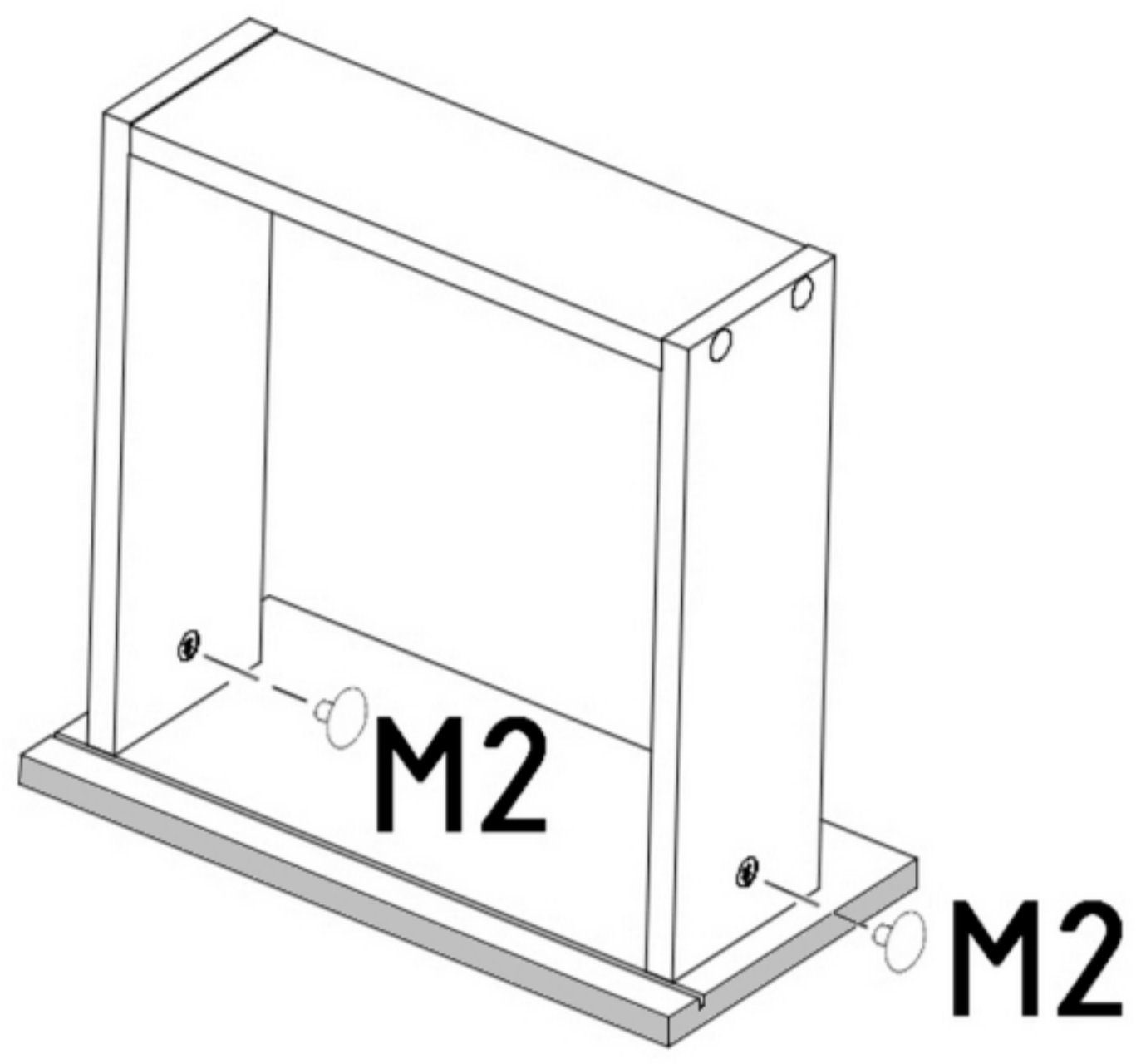
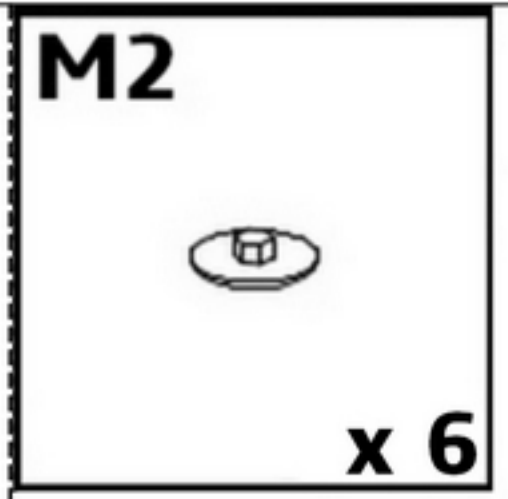
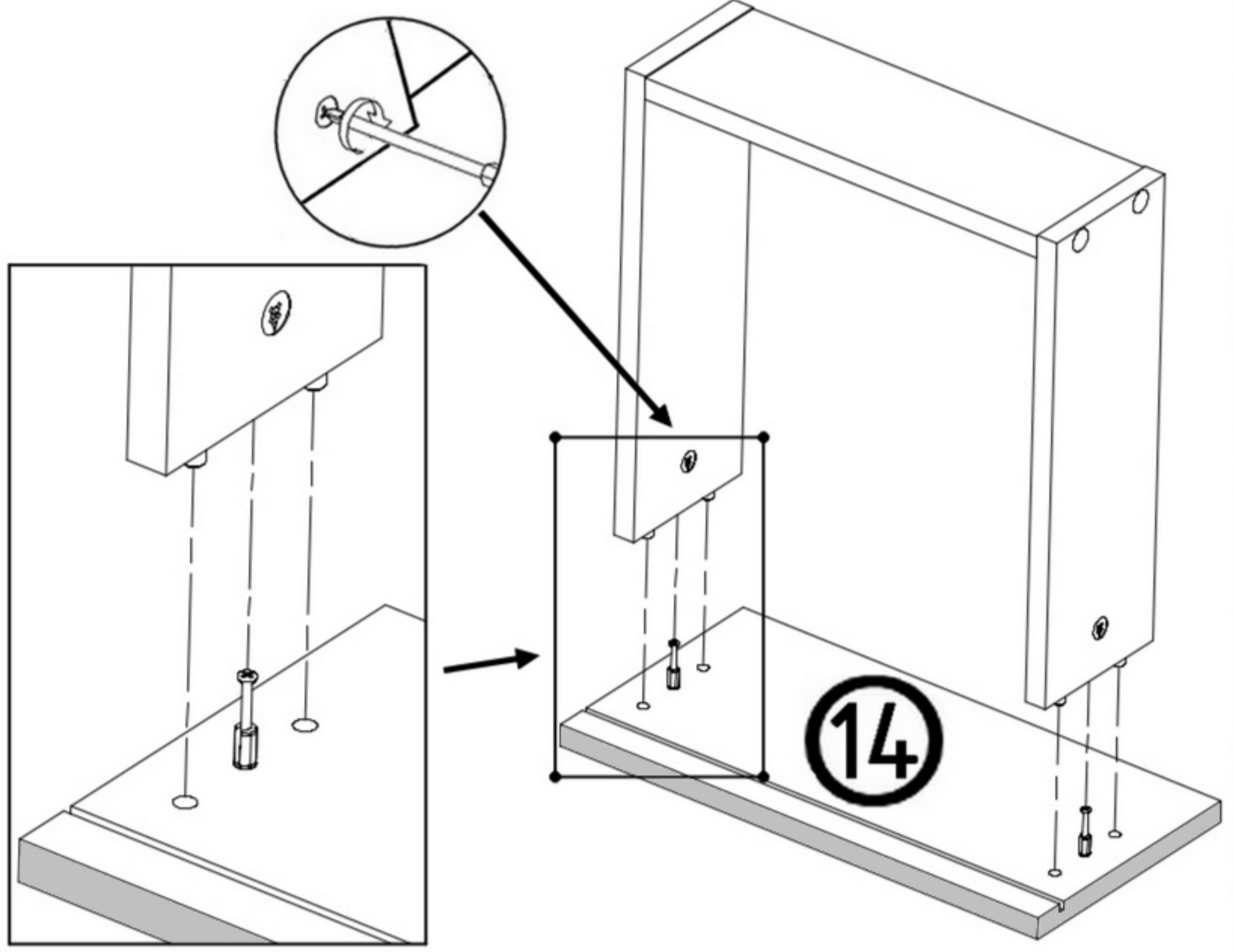


<b>E1</b>  x 12	<b>M3</b>  x 6	<b>E4</b>  x 12
---	---	--



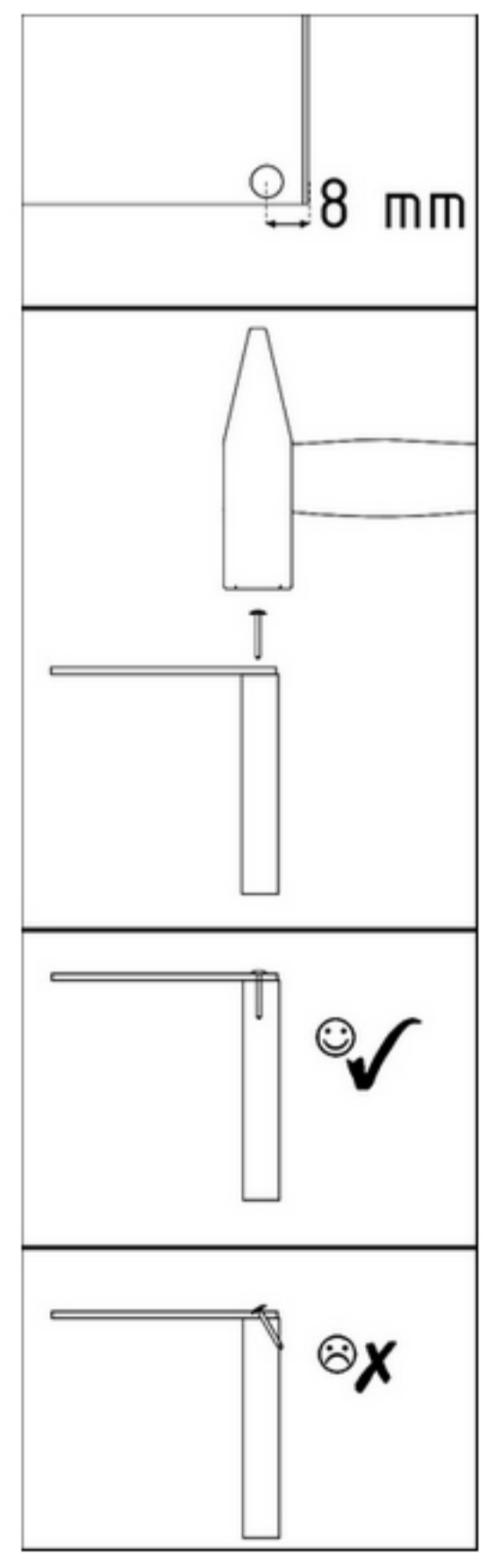
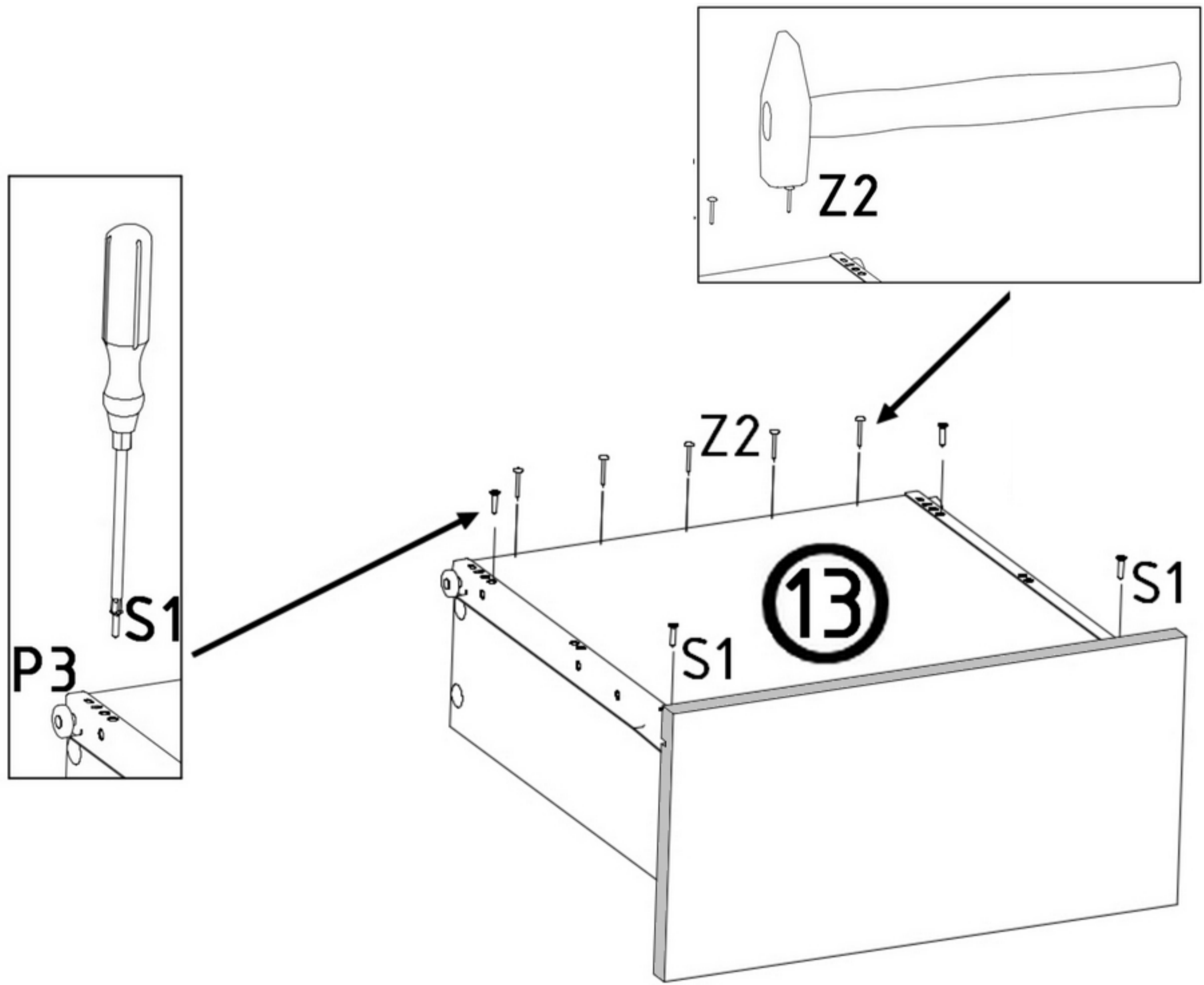
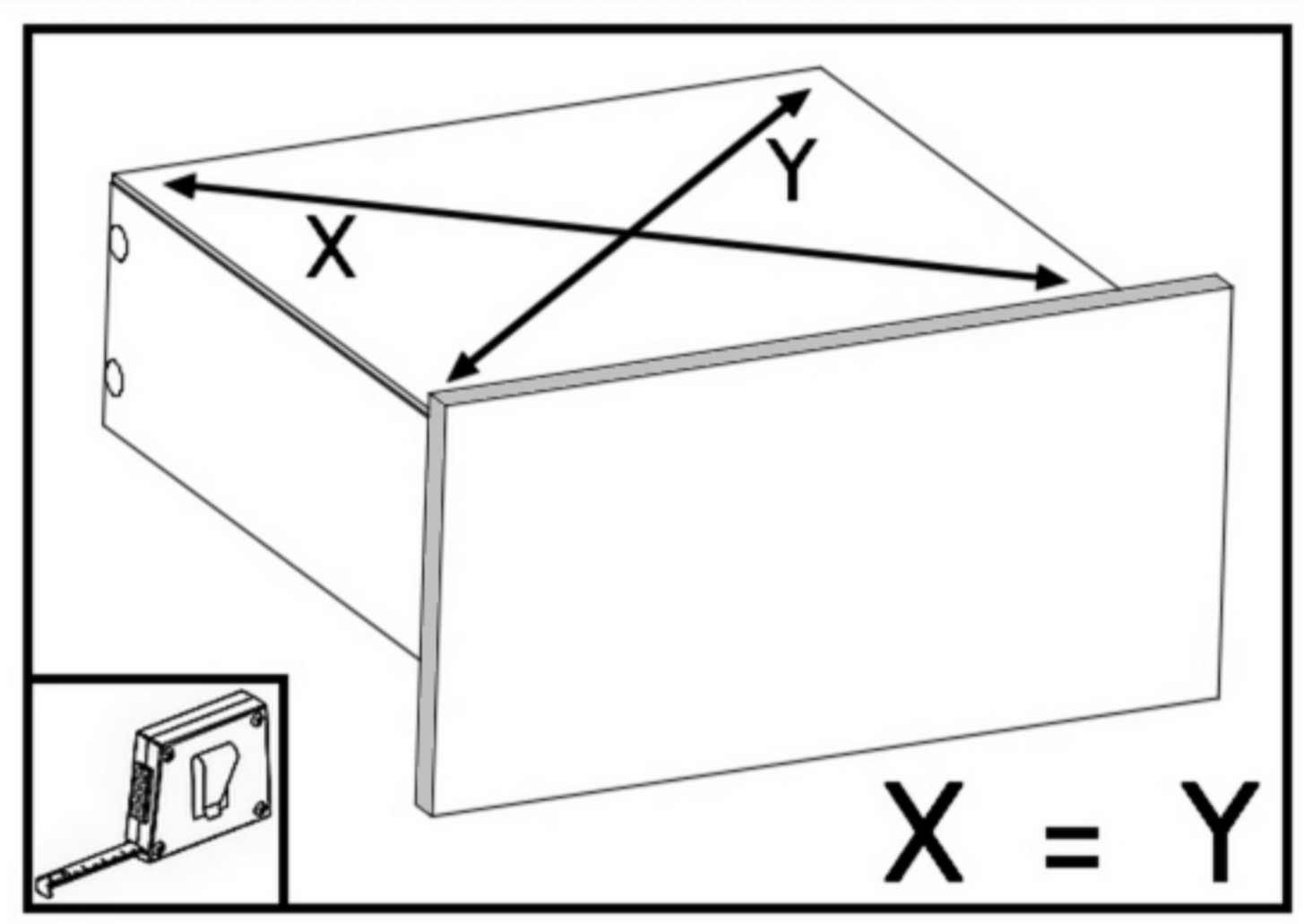
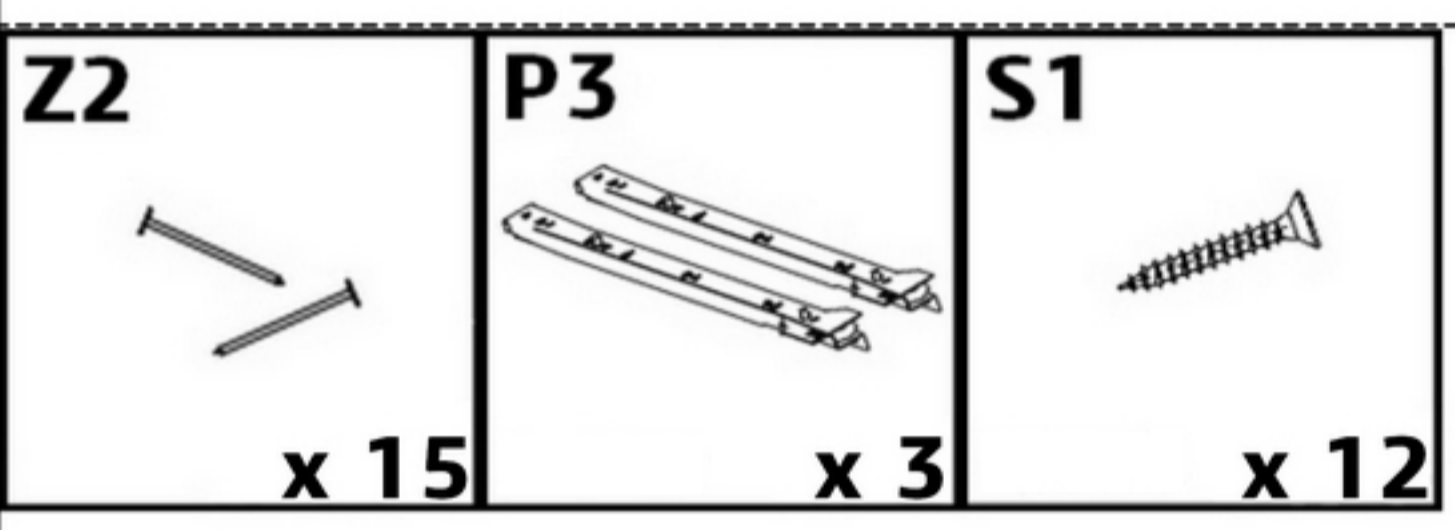
<b>N2</b>  x 6
--




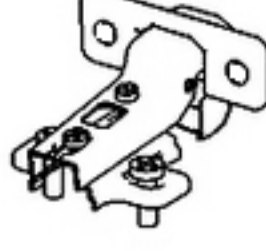


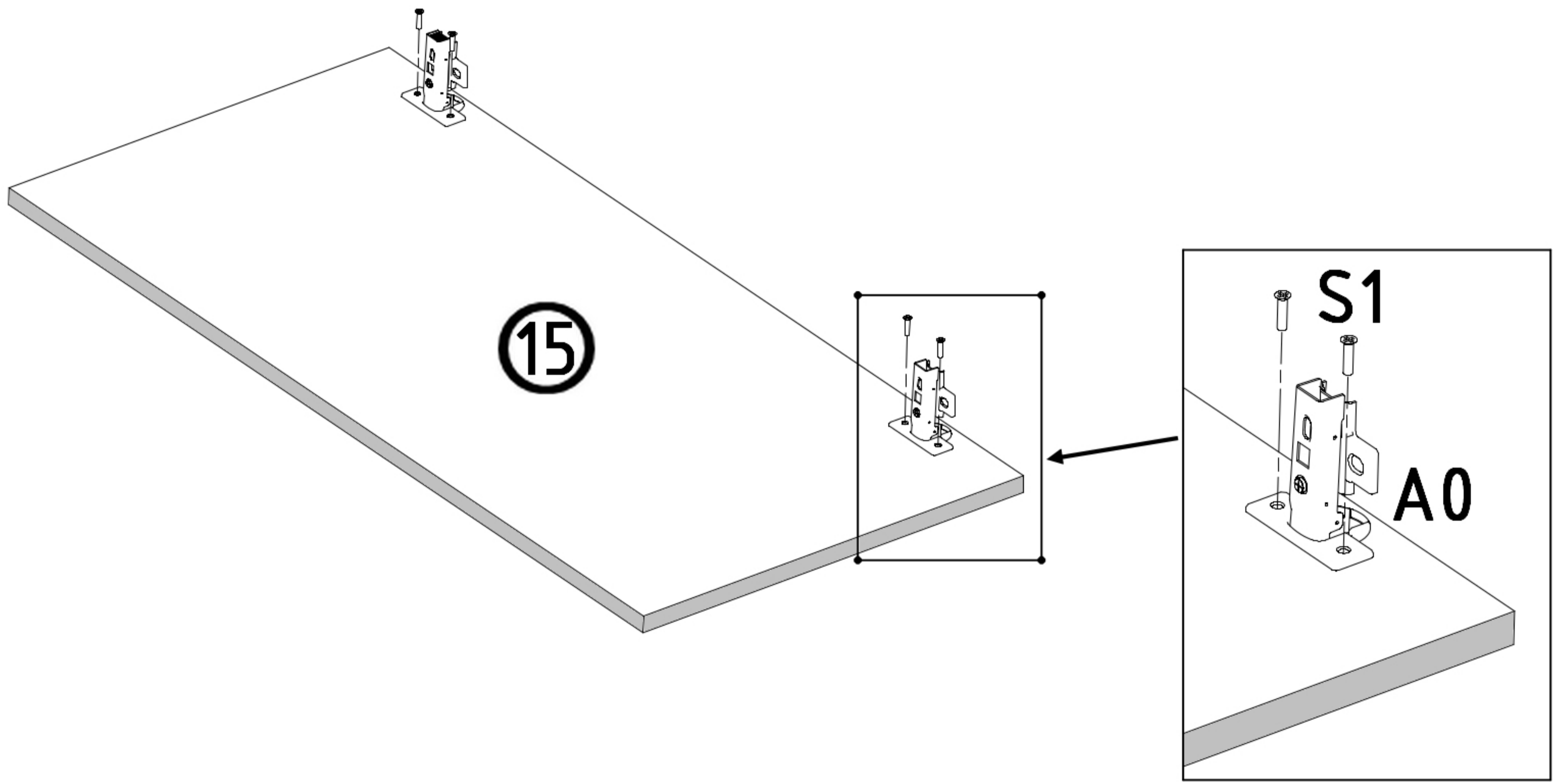
x 3

x 3



x 3

<b>S1</b>  <b>x 12</b>	<b>A0</b>  <b>x 6</b>
---	--



x 3

