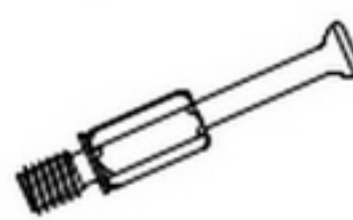

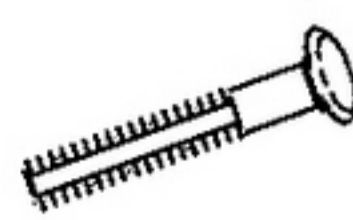

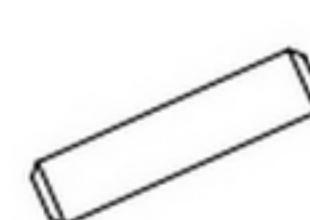







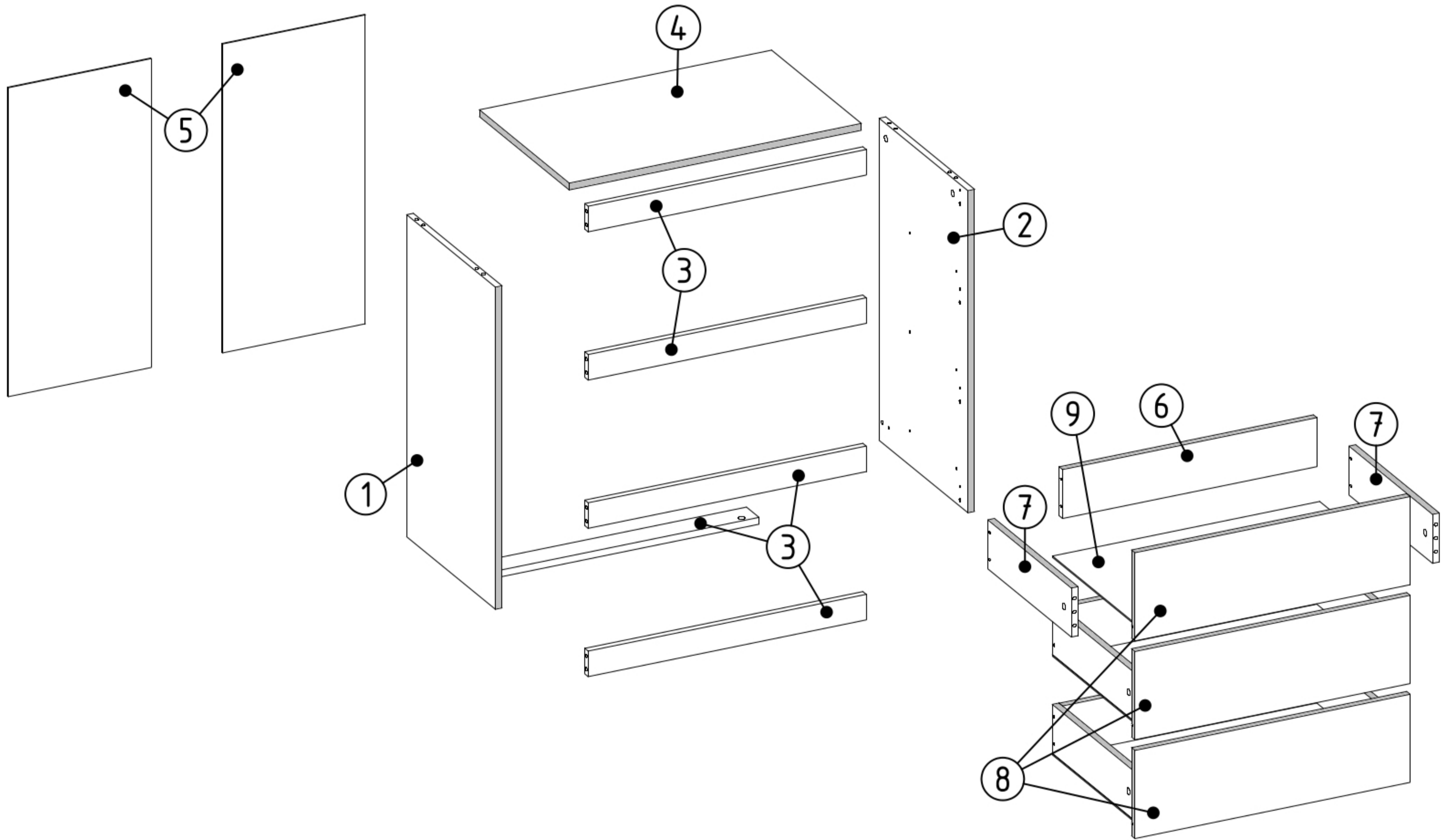








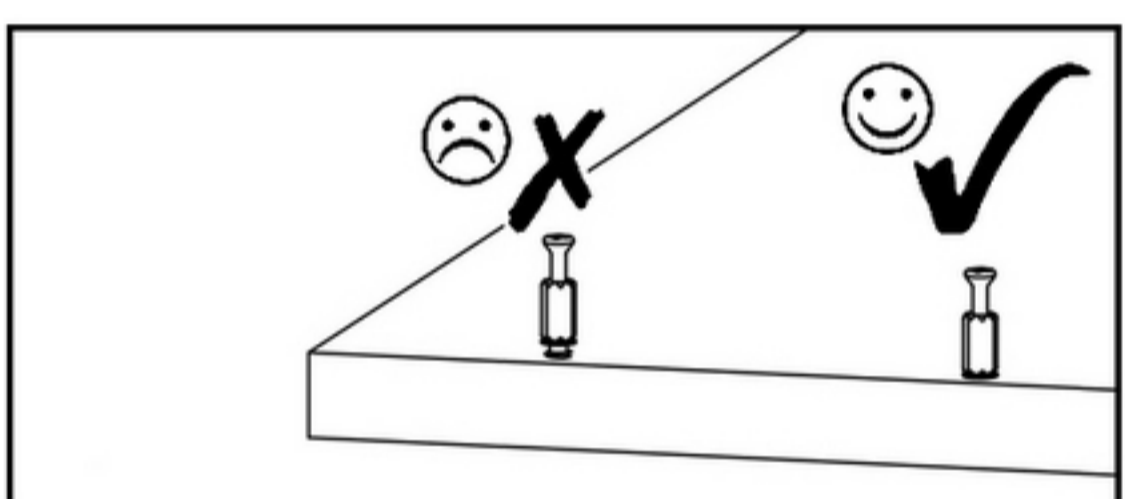
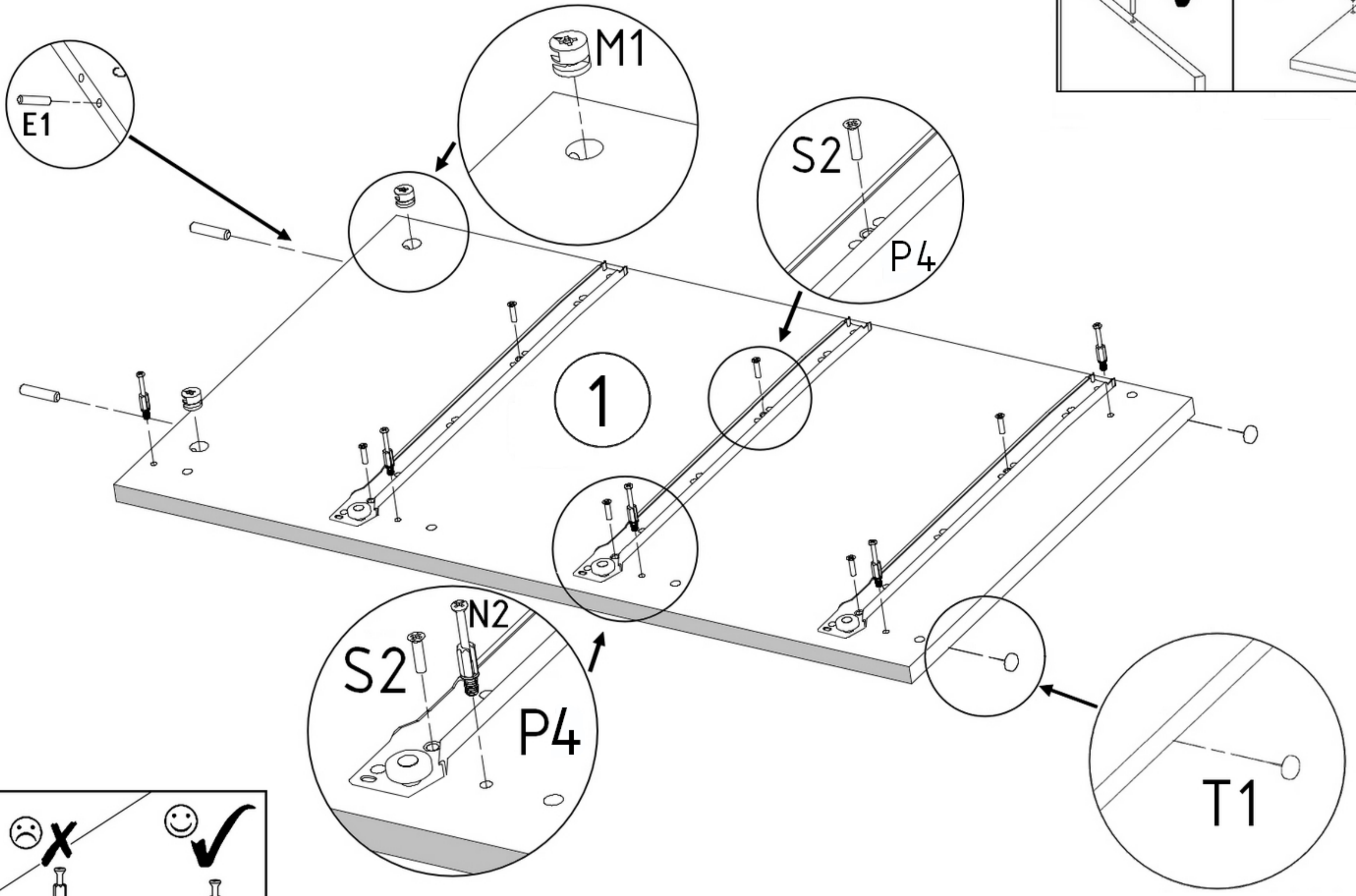
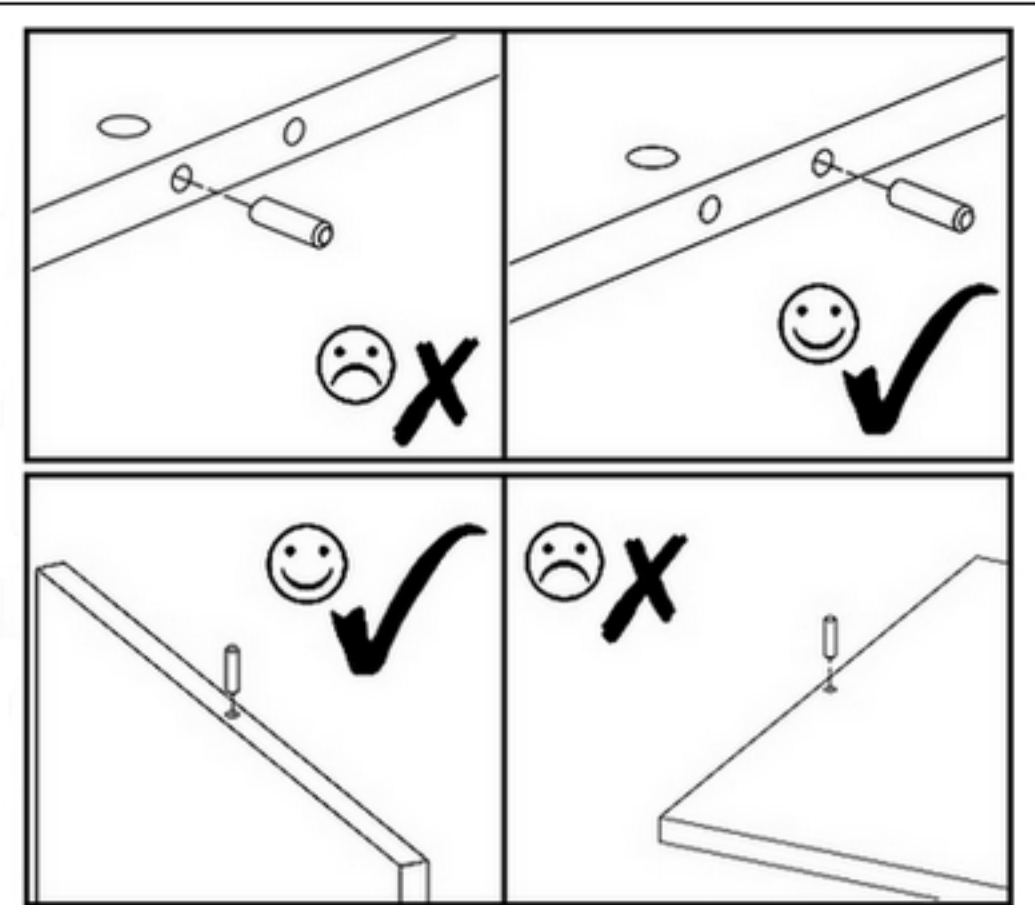
N2  L=45 mm x20	M1  12x15 mm x20	Z2  L=43 mm x12	S1  3.5x16mm x12	E2  8x35 mm x26	L9  L=700 mm x1
T1  x4	Z1  x50	P4  P=400mm x3	S2  6x8 mm x12	M2  ø17 mm x6	K1  x1



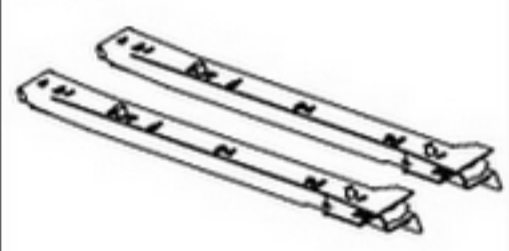





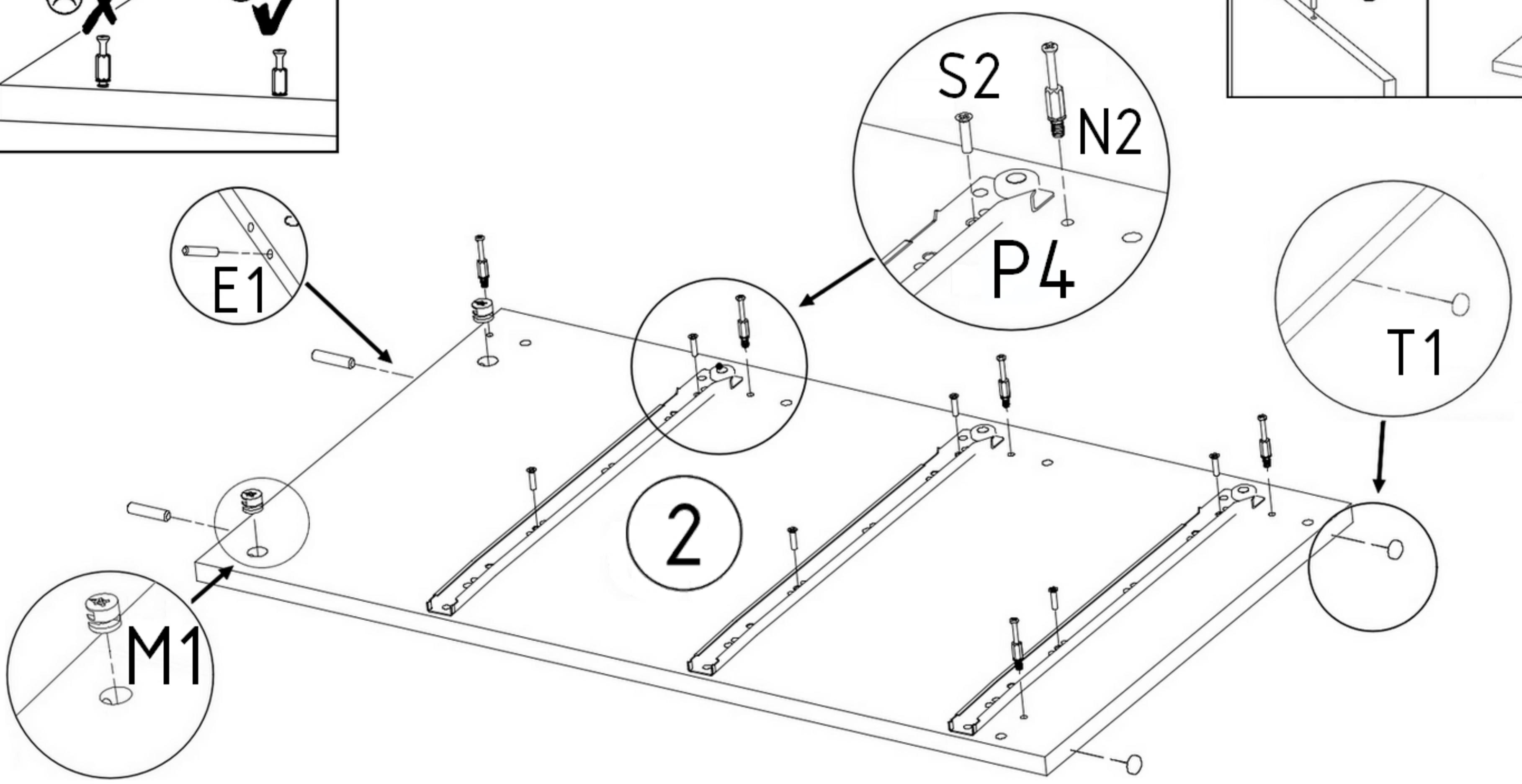
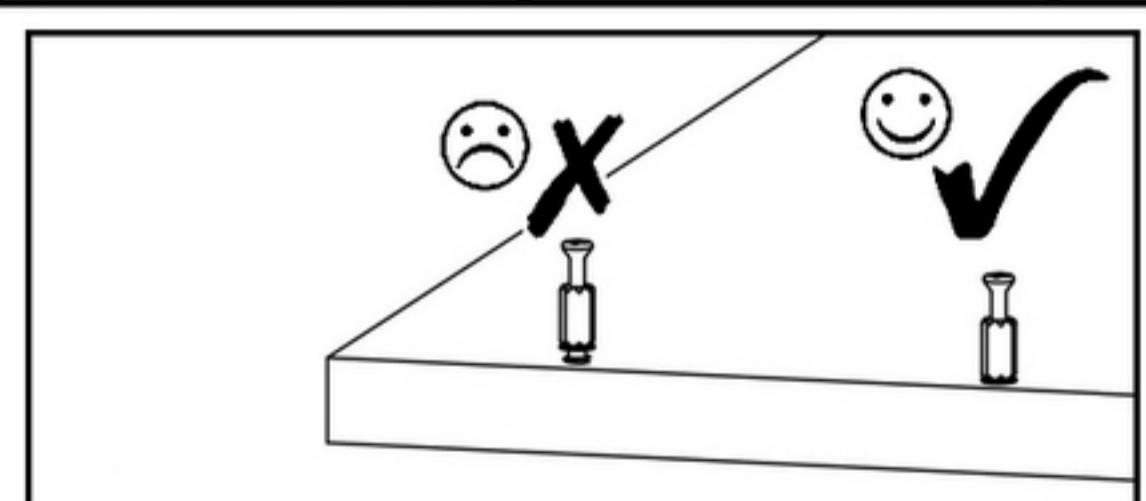
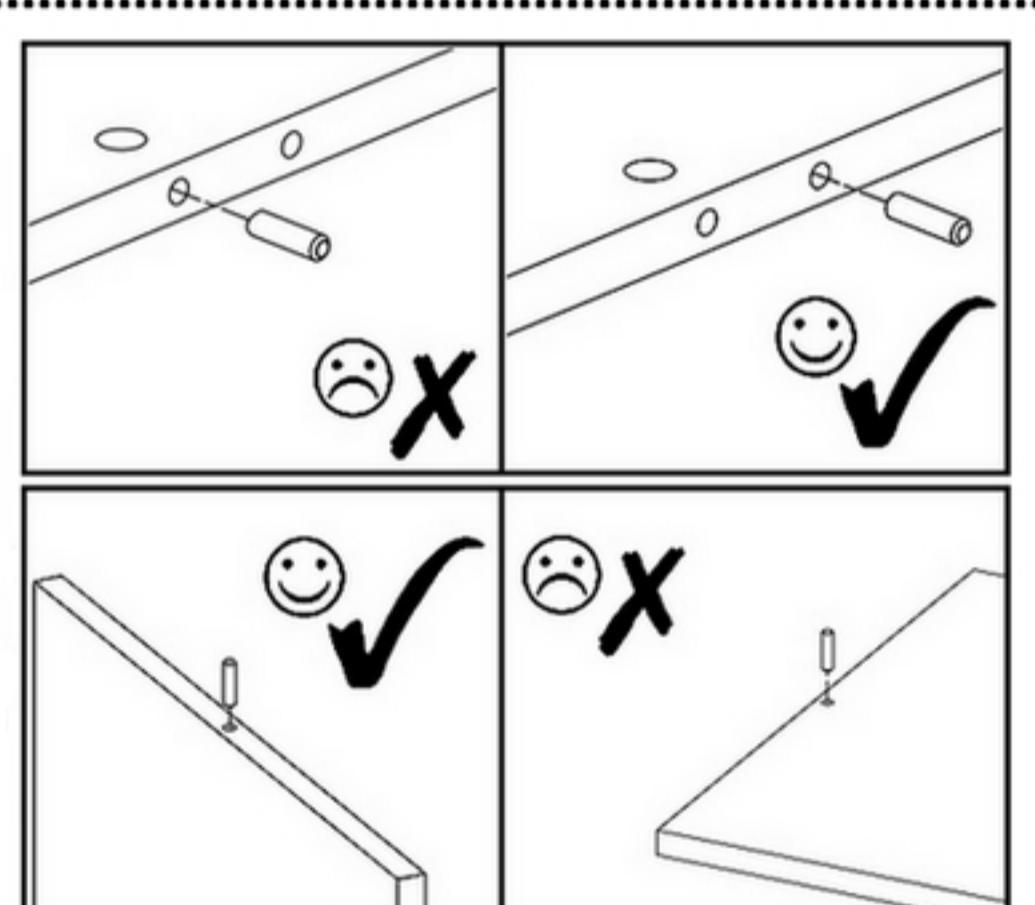
1	x	1
2	x	1
3	x	5
4	x	1

5	x	2
6	x	3
7	x	6
8	x	3

N2  x5	M1  x2	P4  x3	S2  x6	E1  x2	T1  x2
---	--	--	--	--	--



N2  x5	M1  x2	P4  x3	S2  x6	E1  x2	T1  x2
---	--	--	--	--	--



3

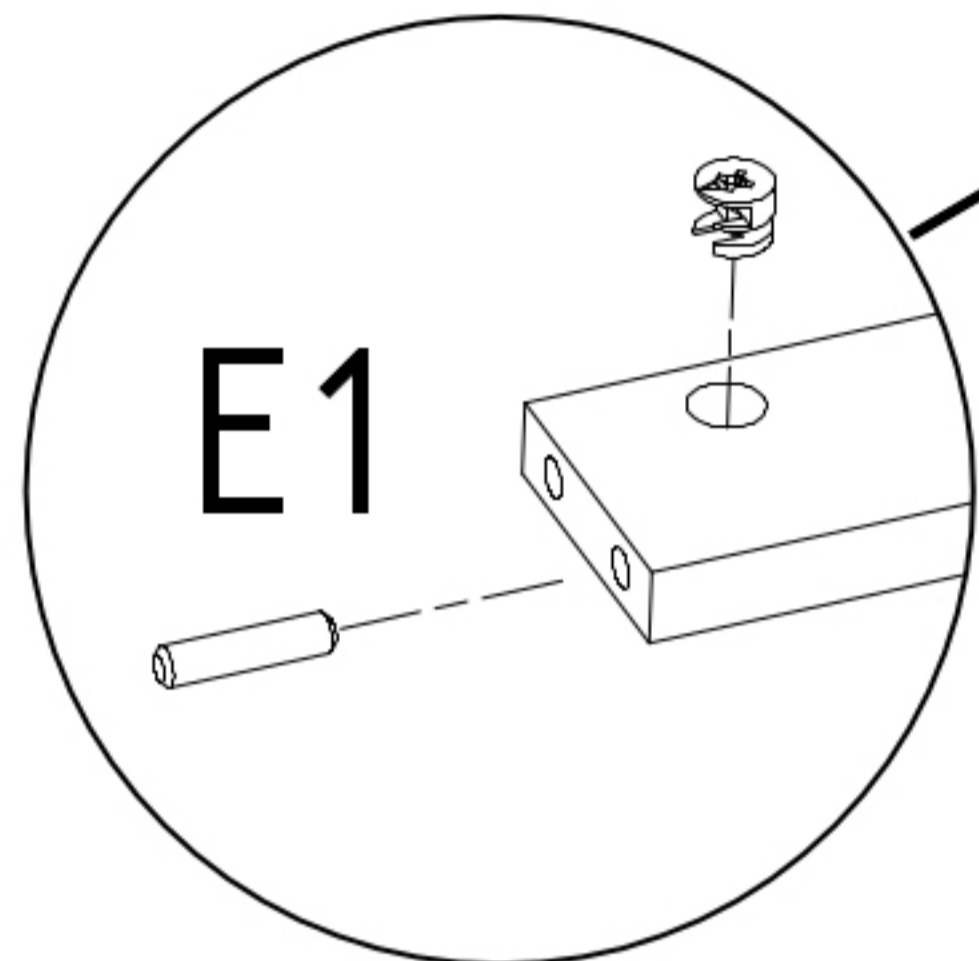
E2

M1



x10

x10

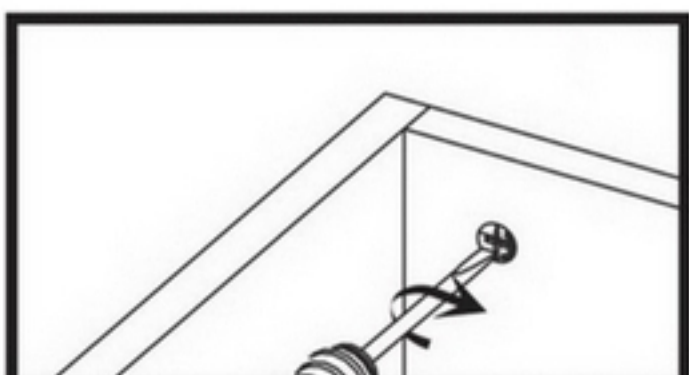
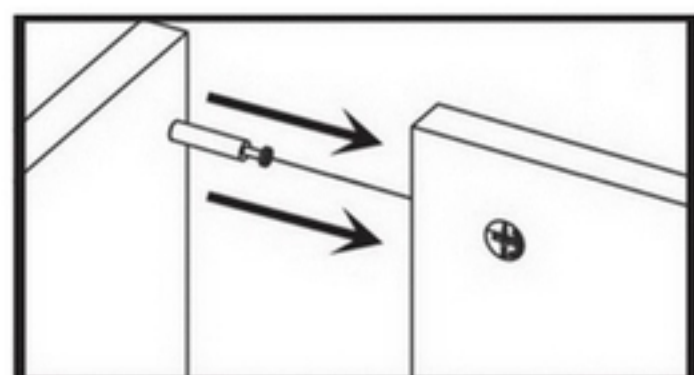
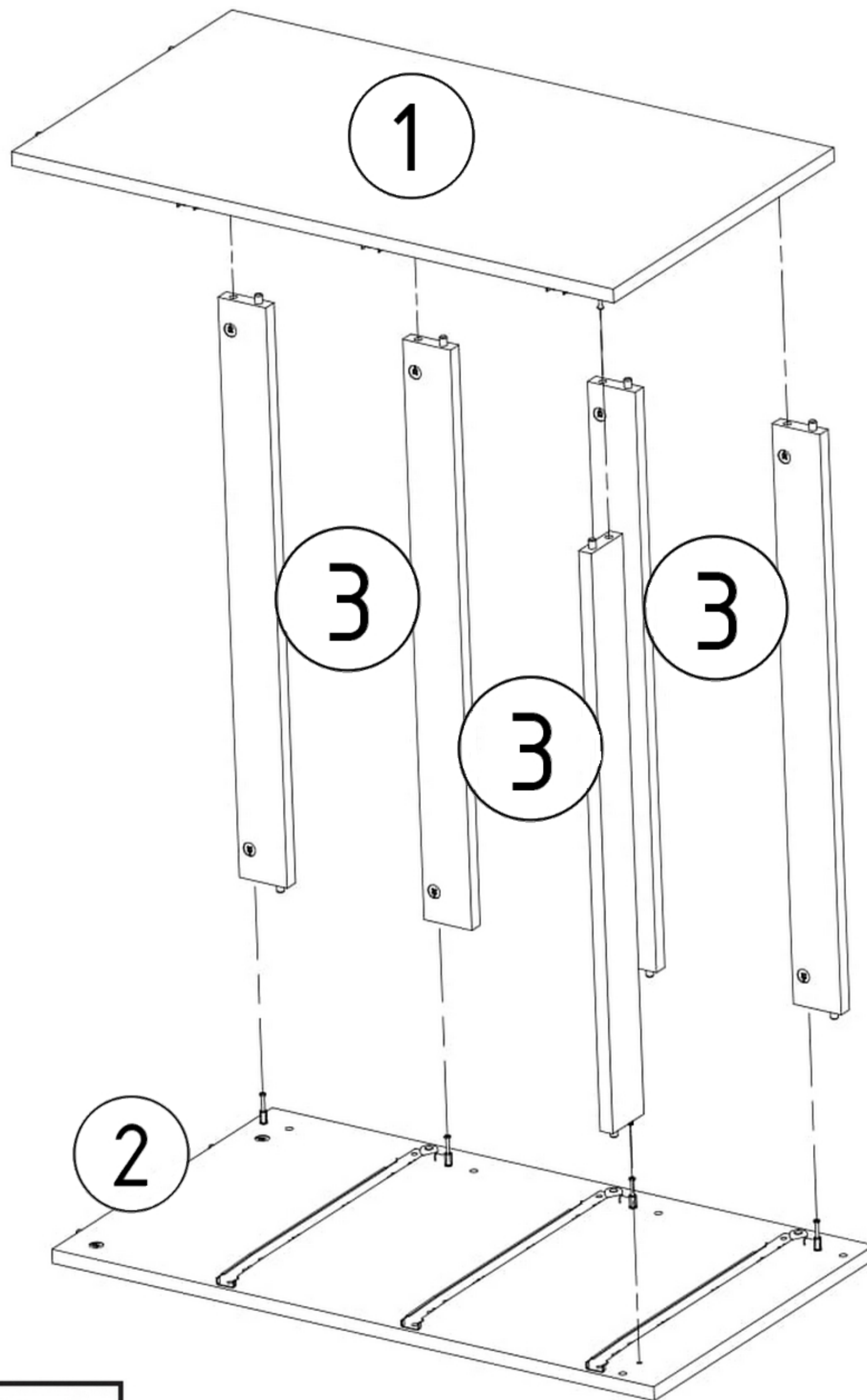


E1

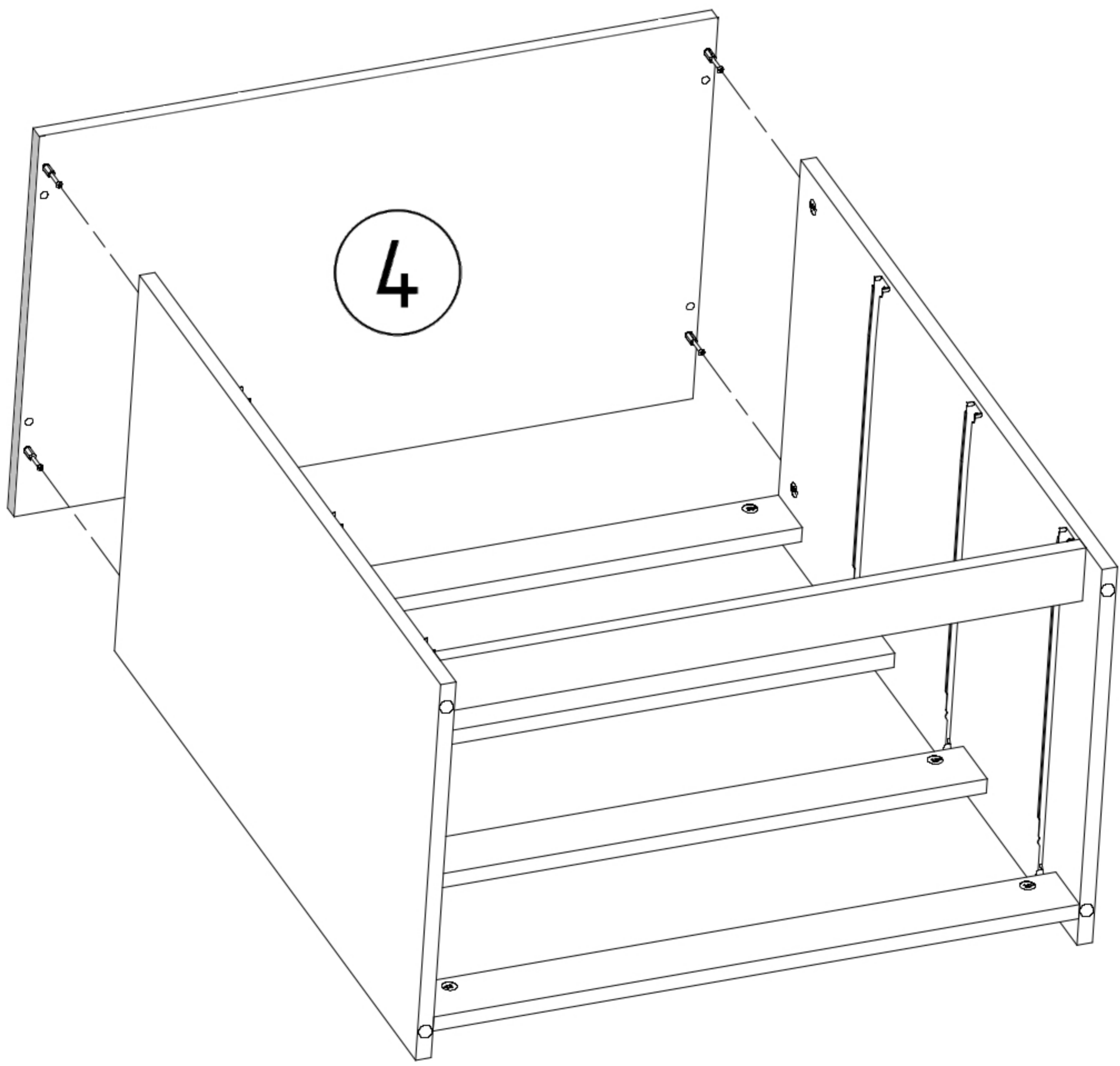
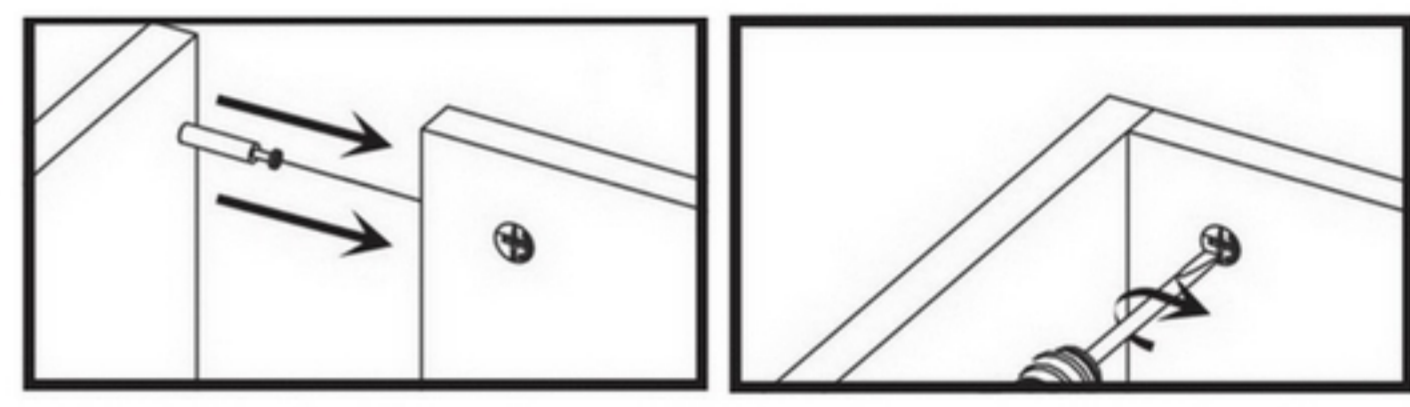
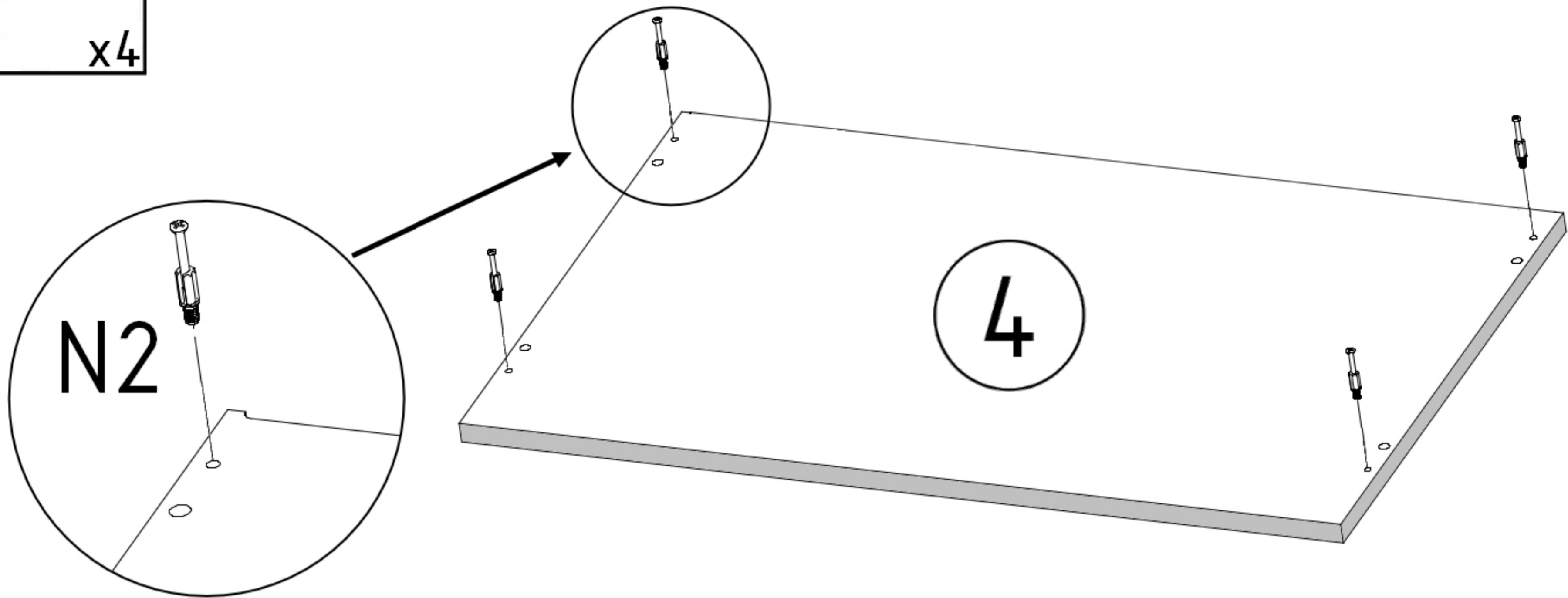


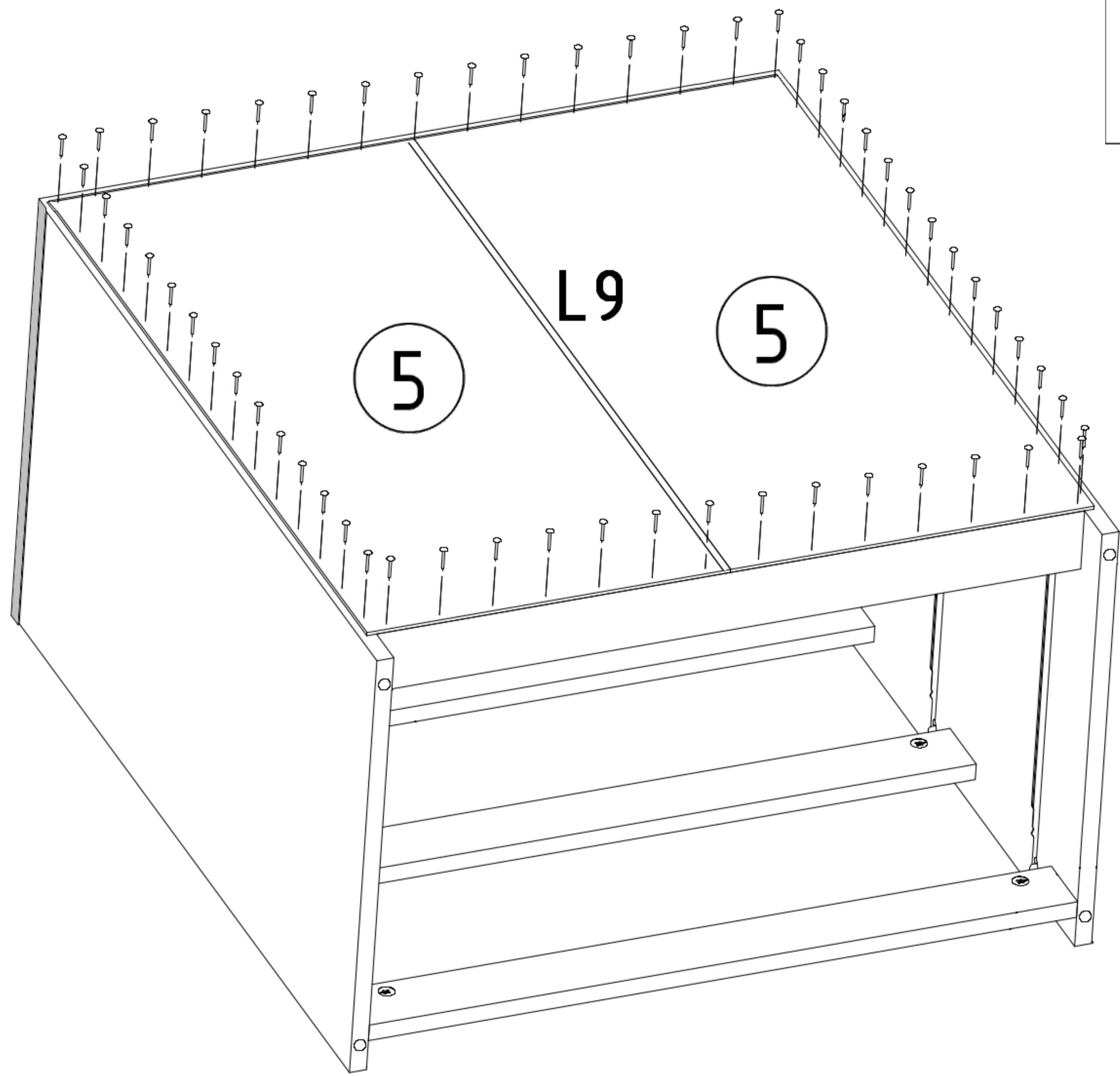
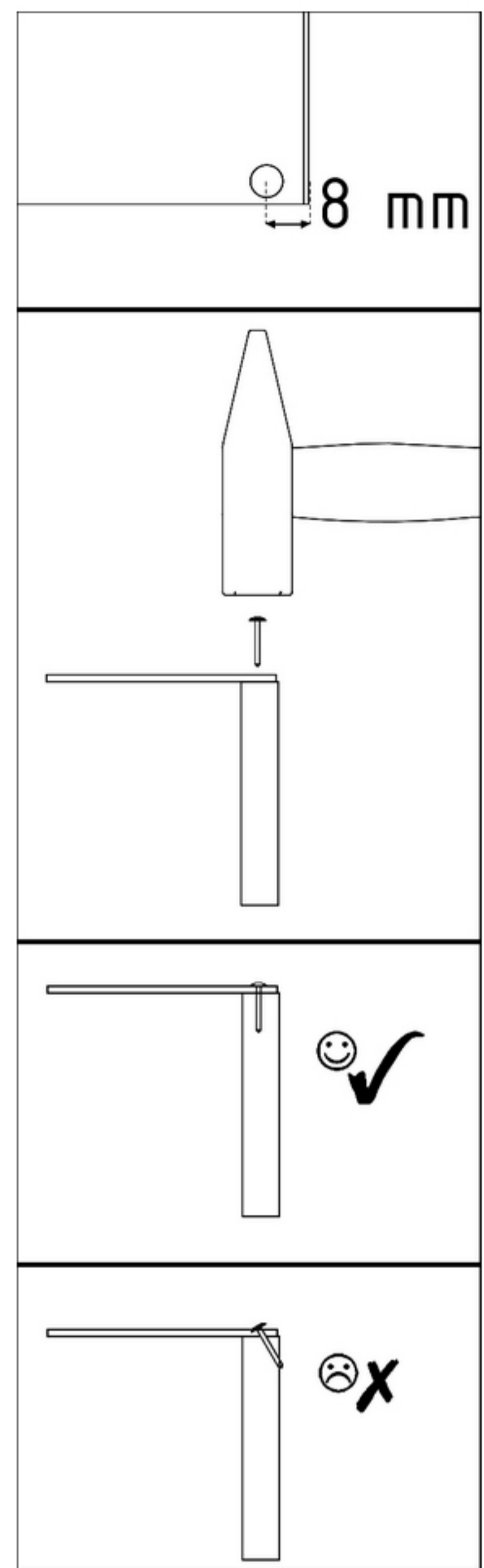
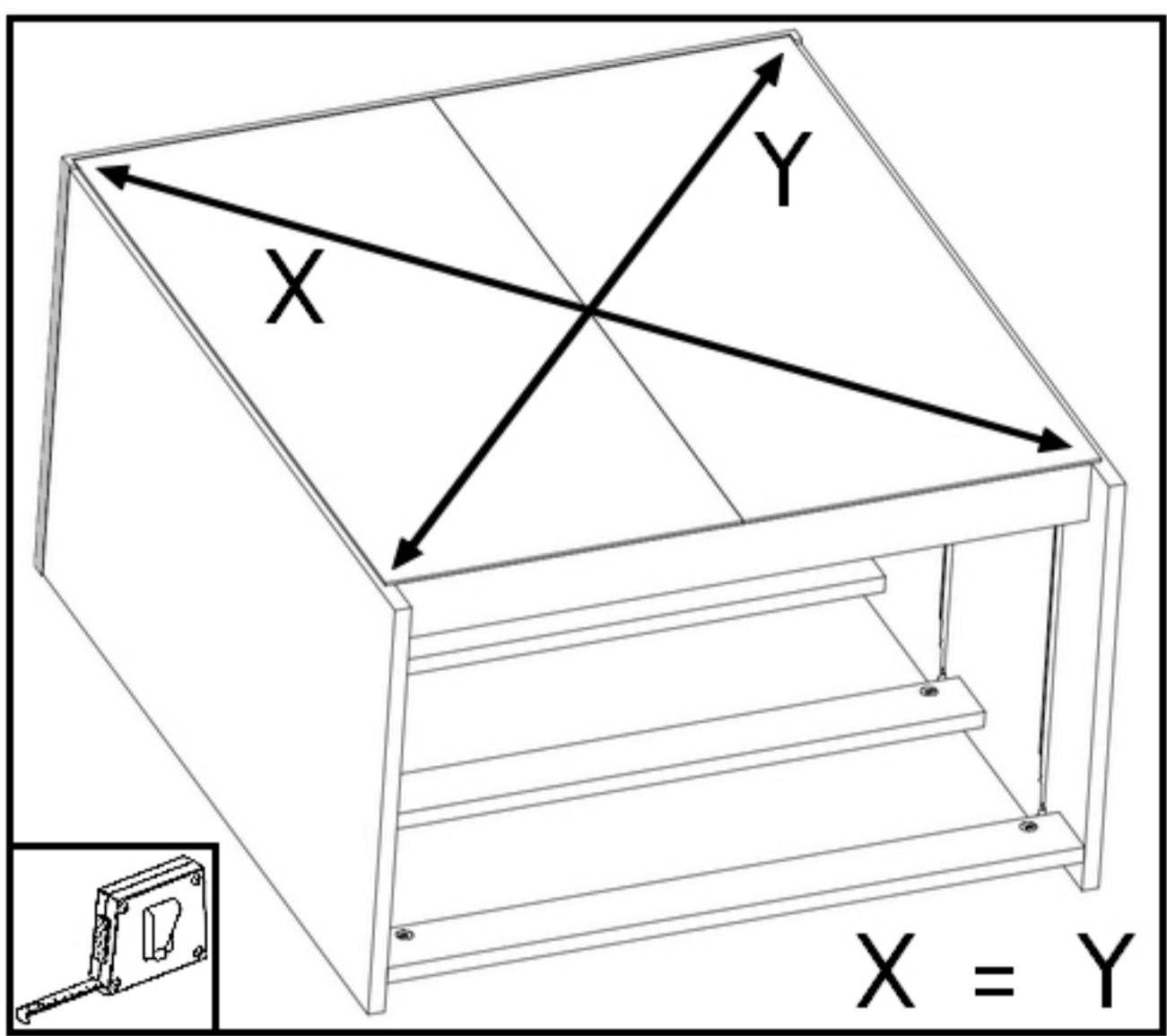
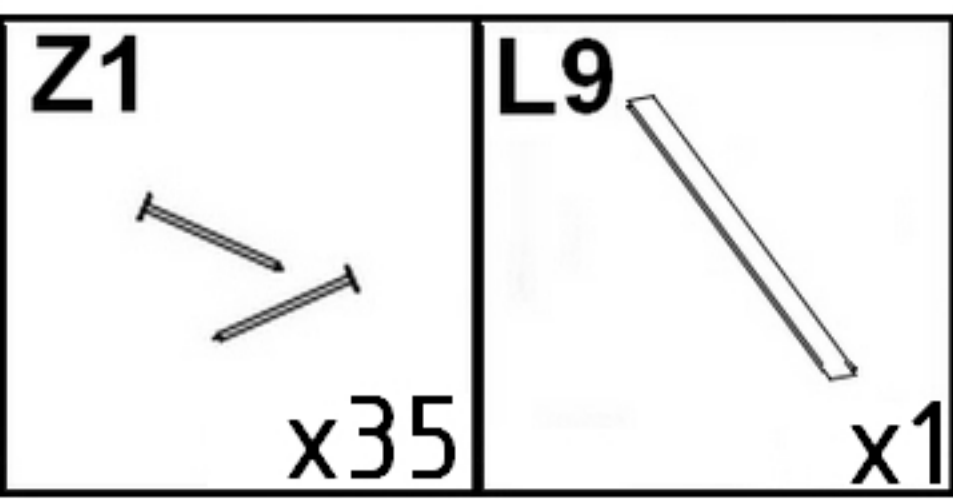
3

x5



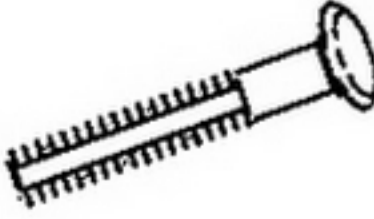


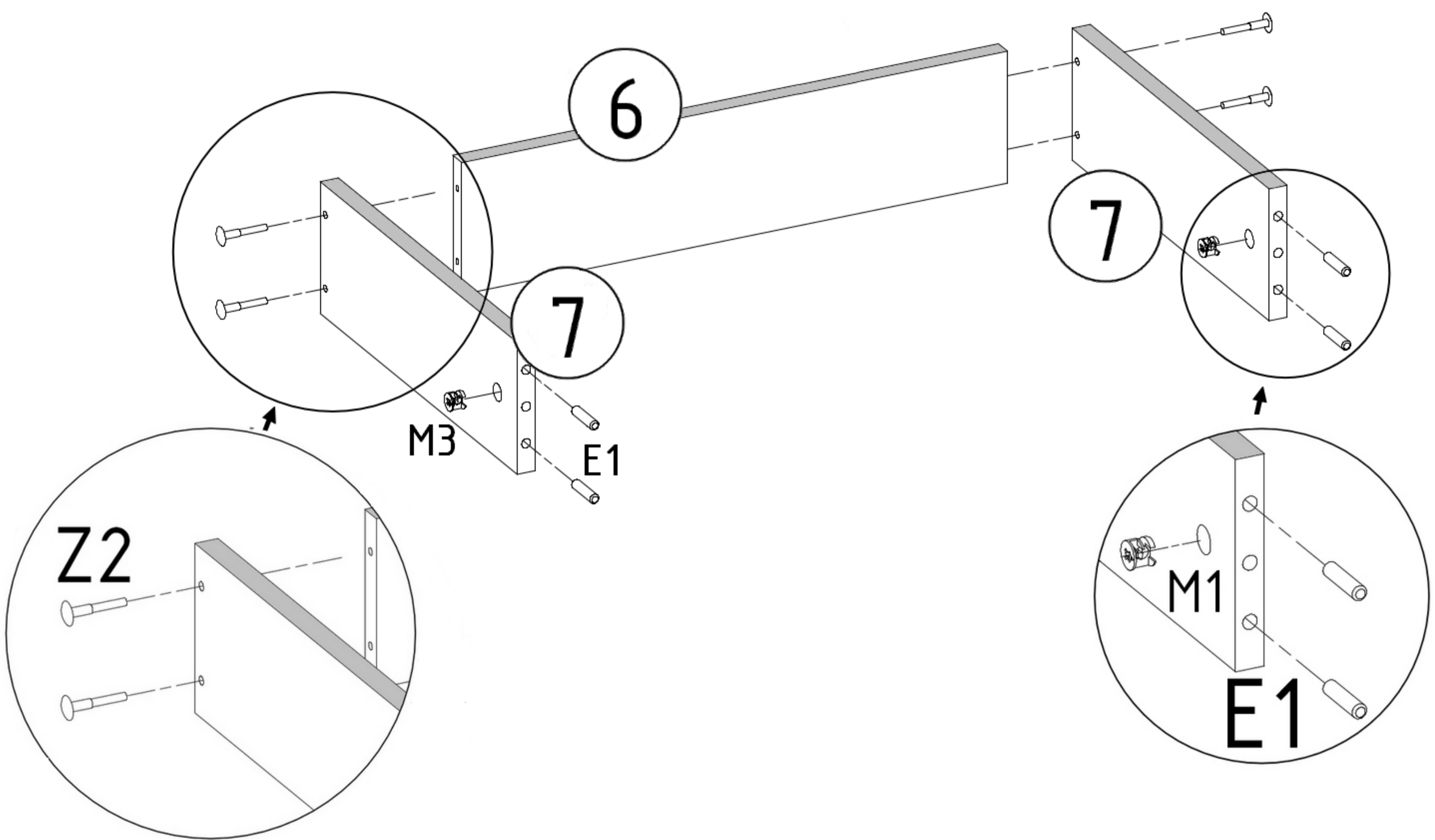
4





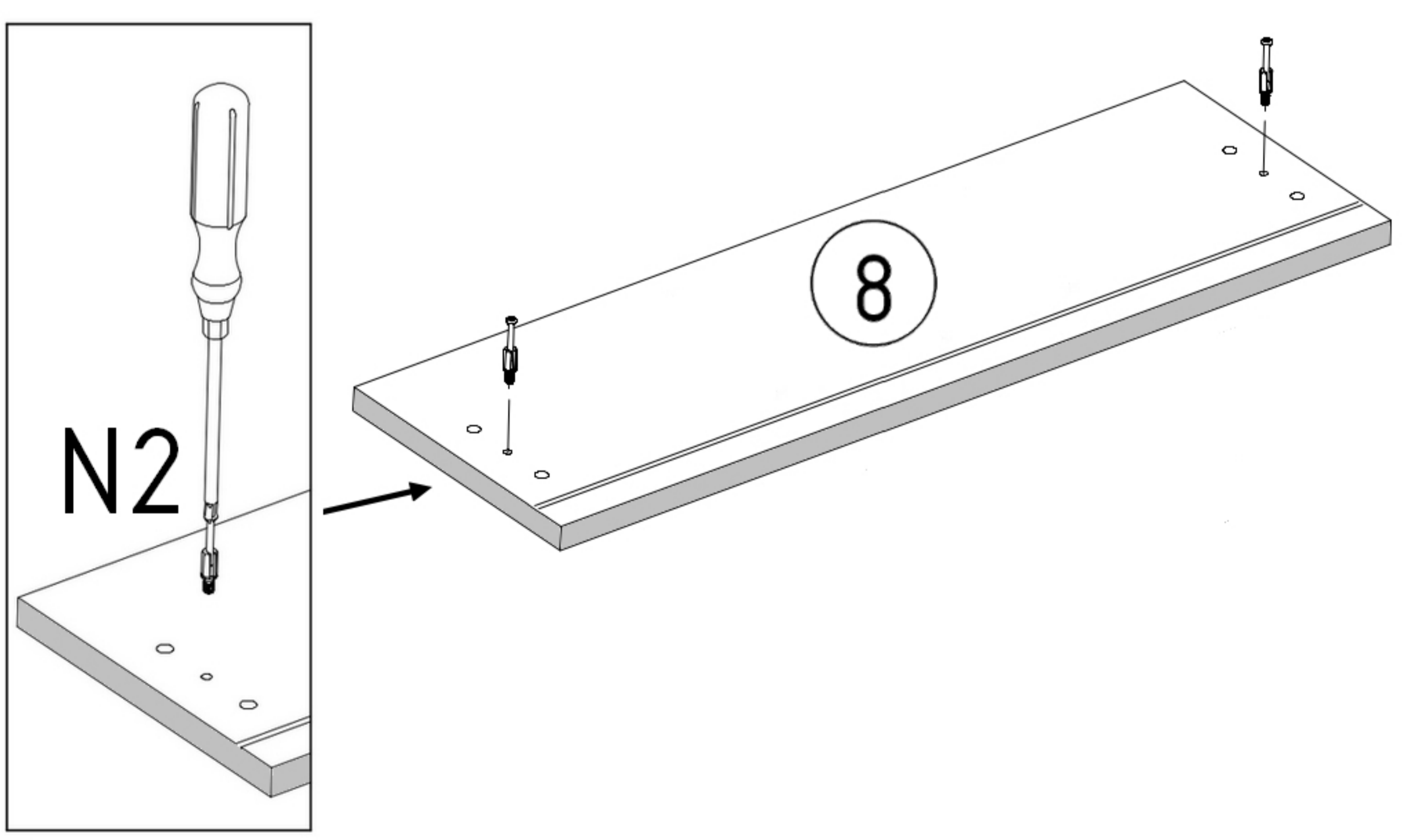
6

<p>E1</p>  <p>x12</p>	<p>M1</p>  <p>x6</p>	<p>Z1</p>  <p>x12</p>
--	--	---



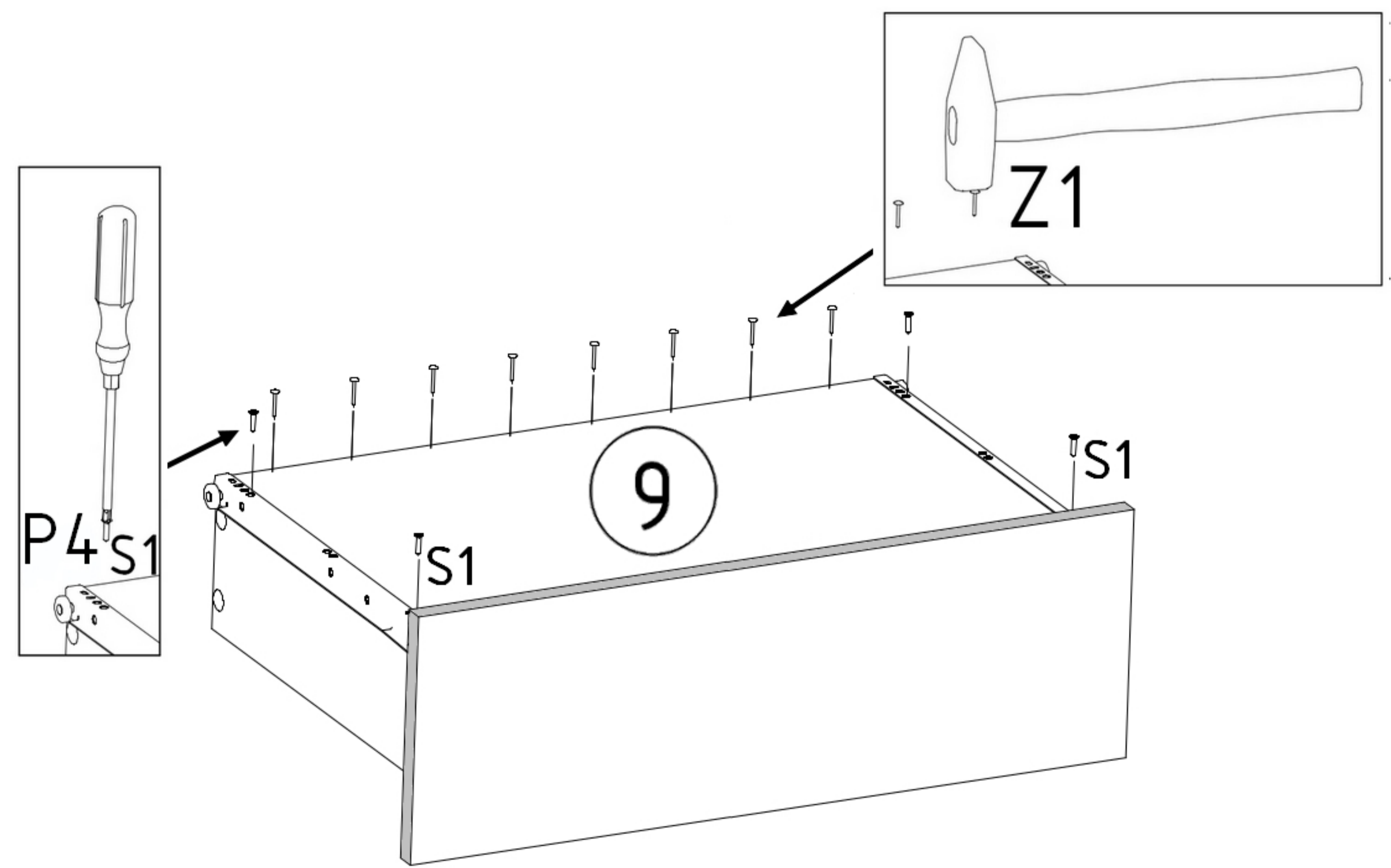
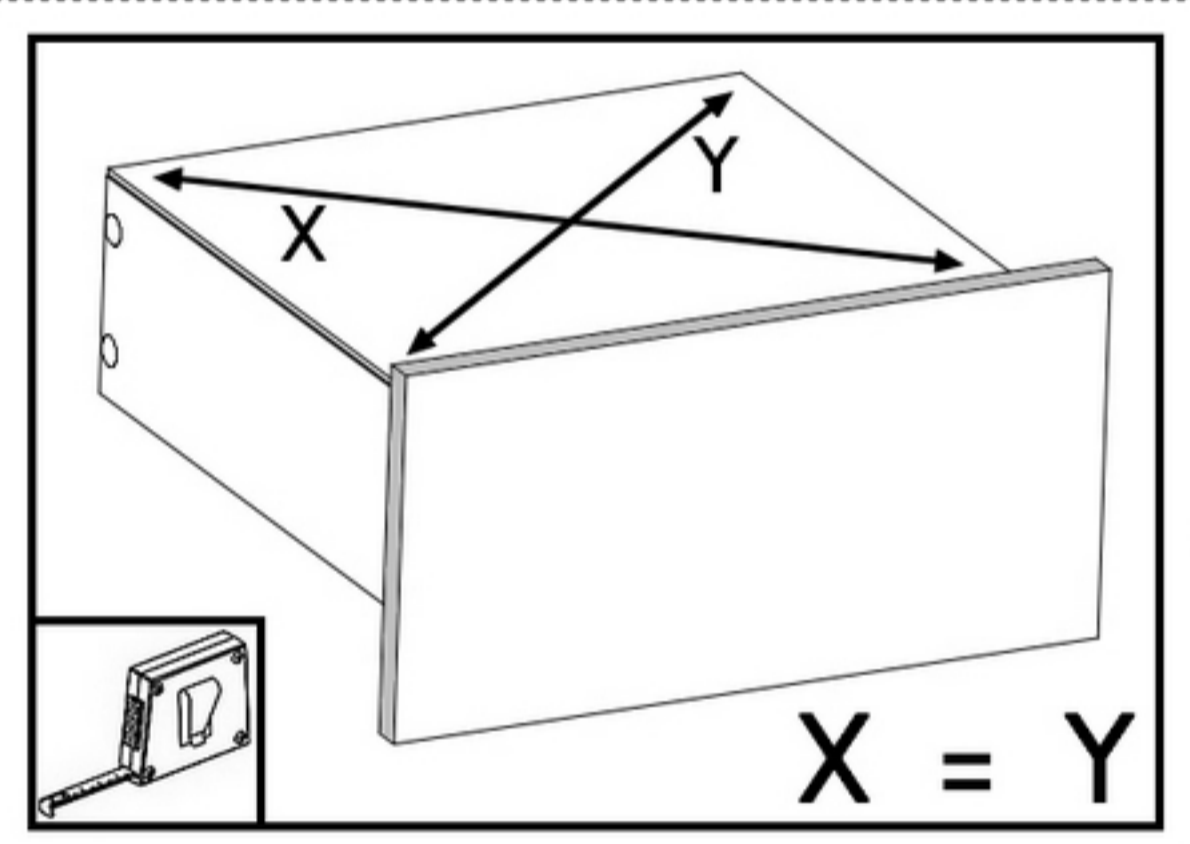
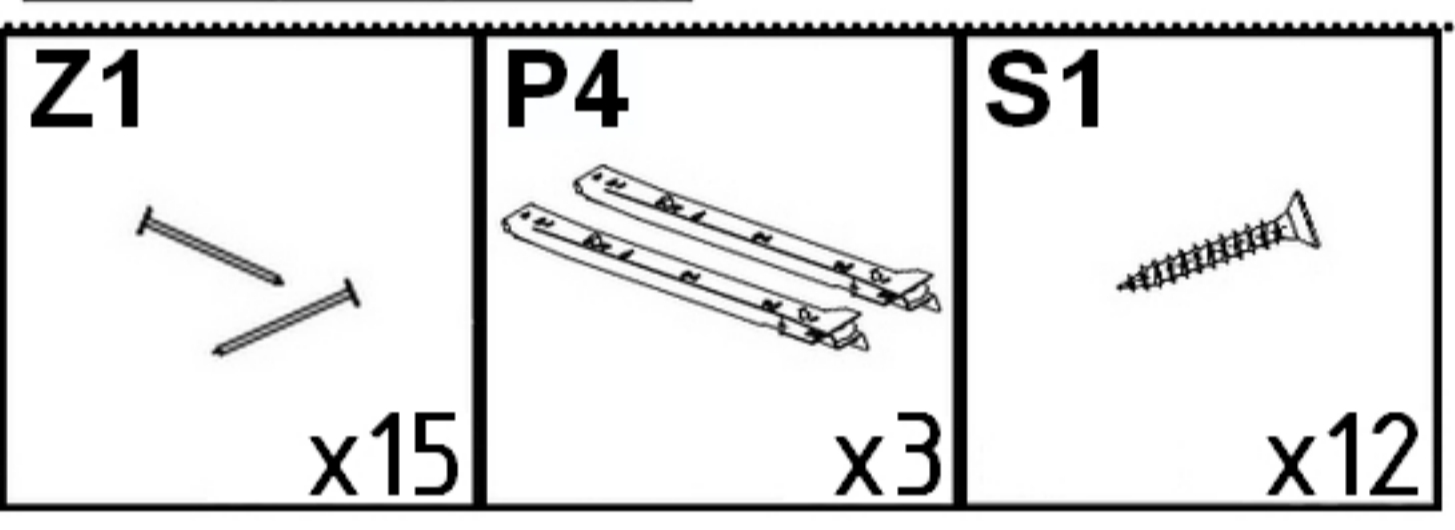
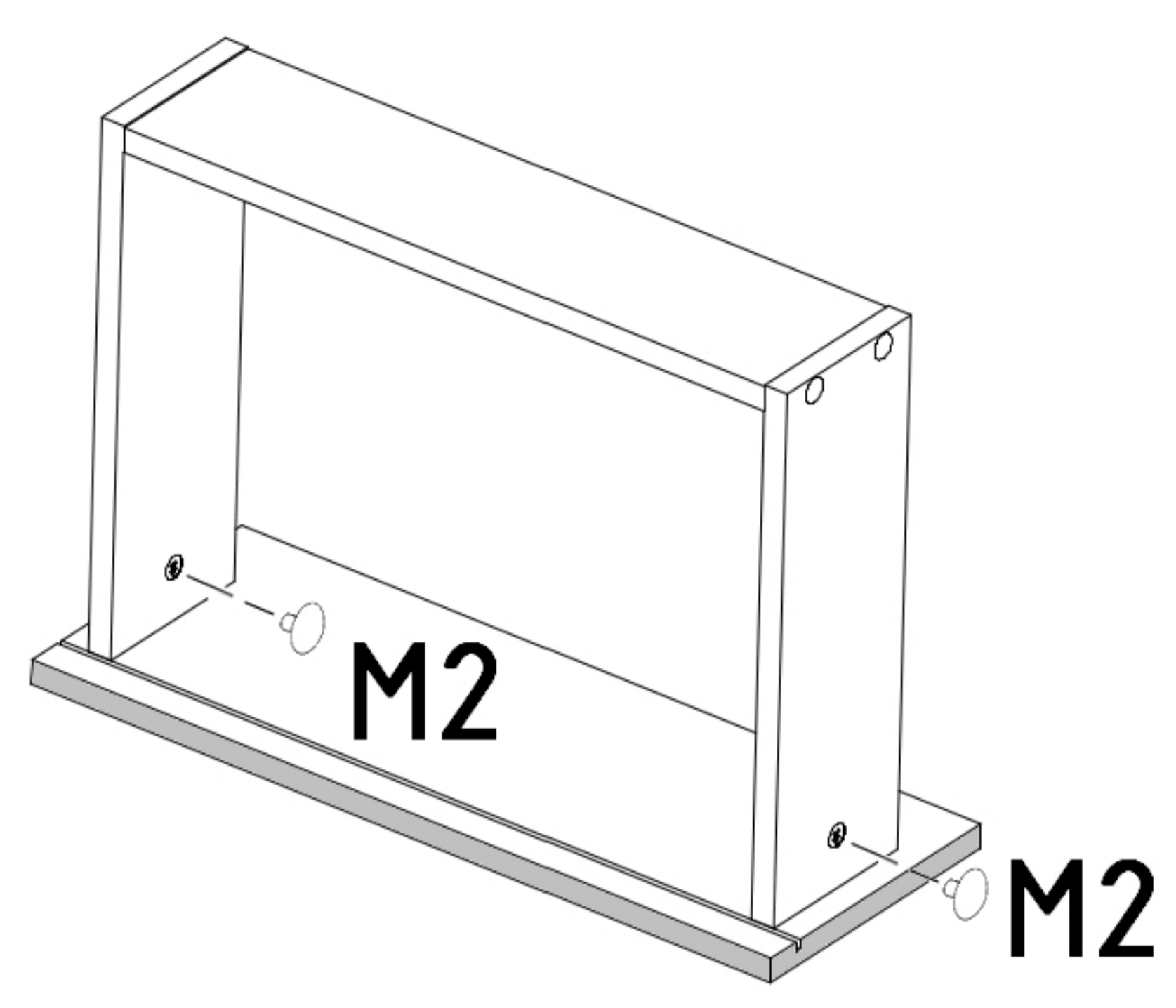
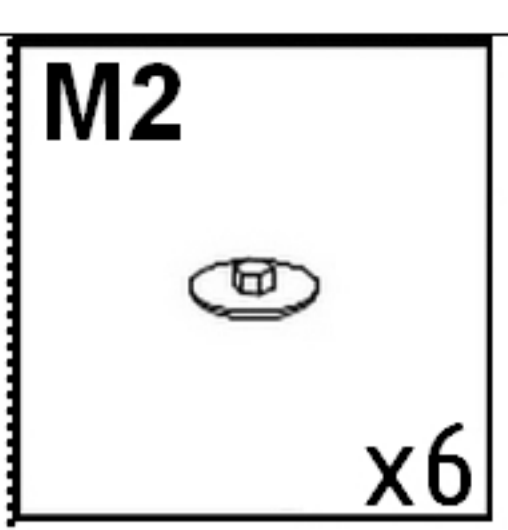
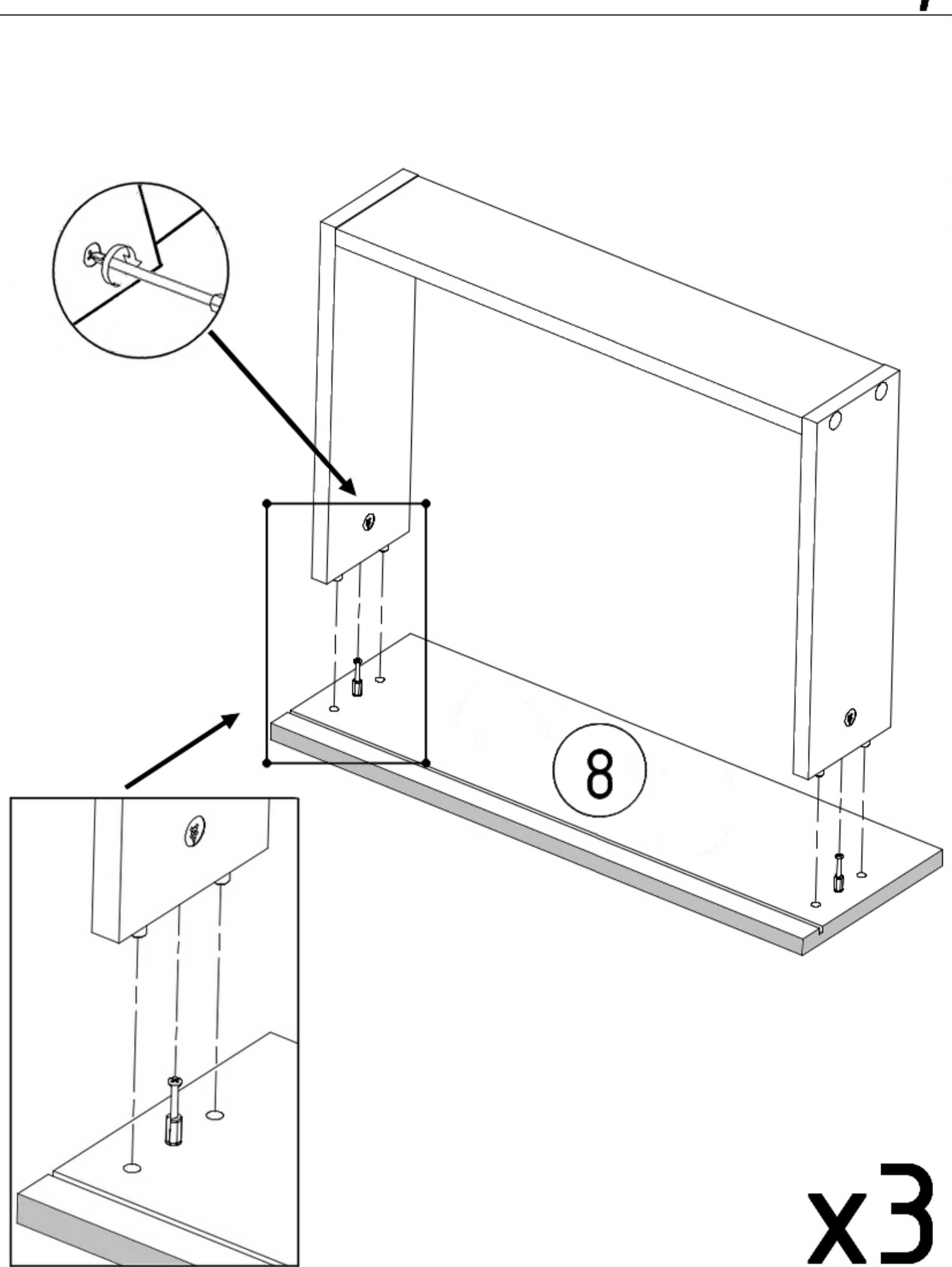
x3

<p>N2</p>  <p>x6</p>



x3

7



x3

