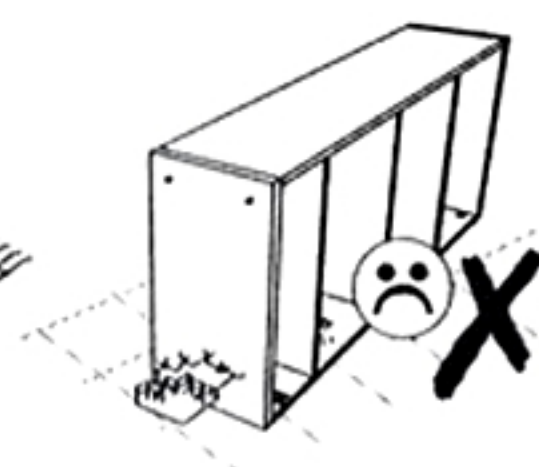
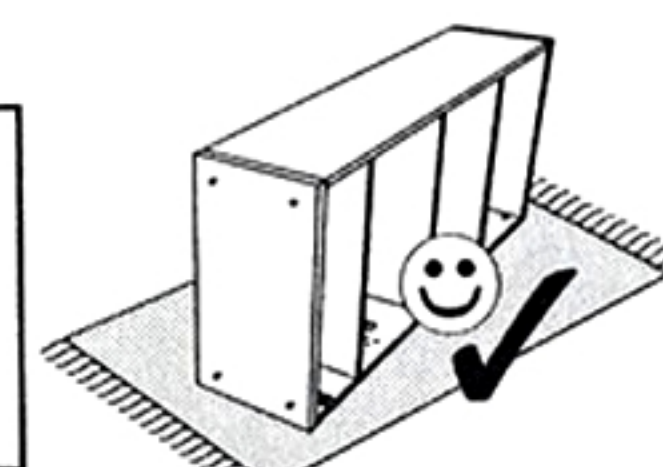
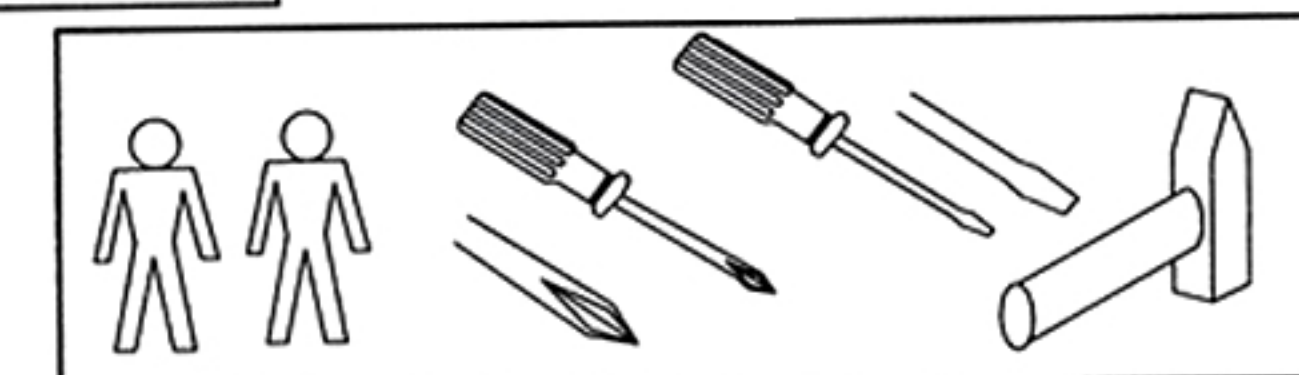
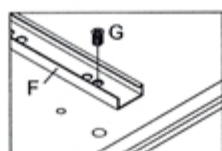
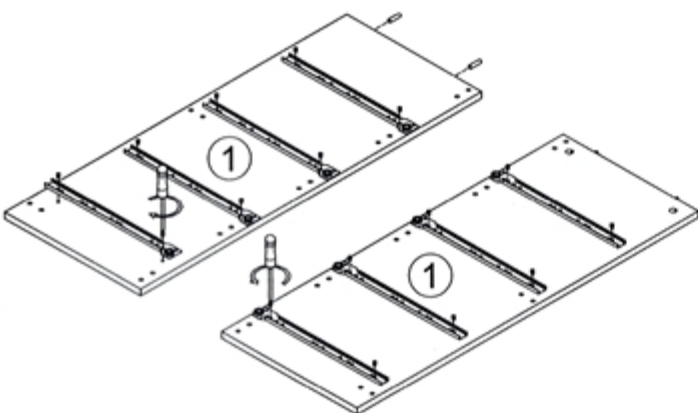
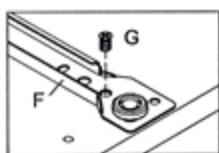
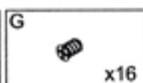


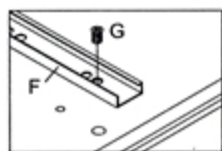
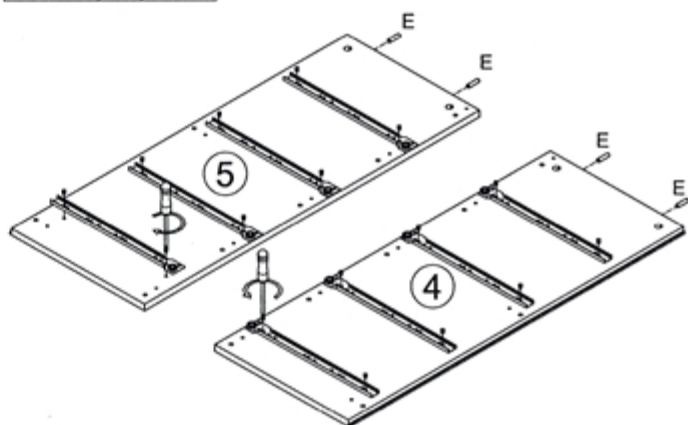
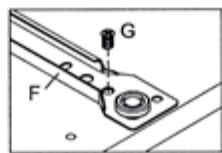
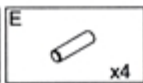
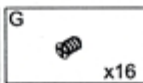
- |                           |                            |                              |                          |                           |                            |
|---------------------------|----------------------------|------------------------------|--------------------------|---------------------------|----------------------------|
| <b>A</b><br><br>L=82mm X7 | <b>B</b><br><br>L=44mm X36 | <b>C</b><br><br>12x15mm X50  | <b>D</b><br><br>8x70mm 7 | <b>E</b><br><br>8x35mm 84 | <b>F</b><br><br>L=350mm X8 |
| <b>G</b><br><br>6x9mm X32 | <b>H</b><br><br>4x35mm X16 | <b>I</b><br><br>3,5x15mm X32 | <b>J</b><br><br>x6       | <b>K</b><br><br>x90       | <b>L</b><br><br>x10        |
| <b>M</b><br><br>ø17mm X16 | <br>x1                     |                              |                          |                           |                            |



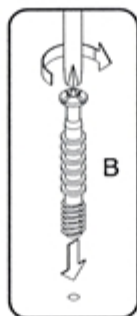
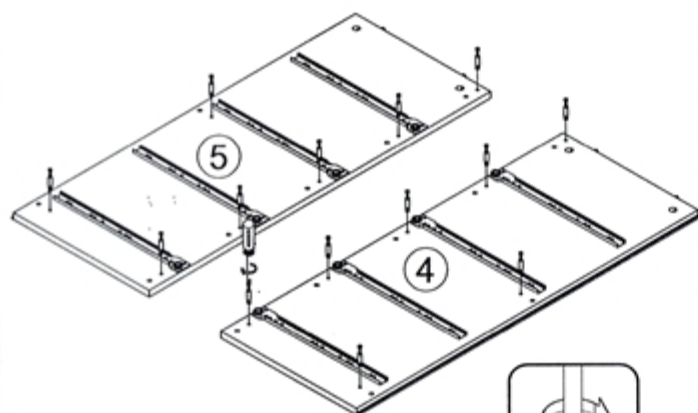
1



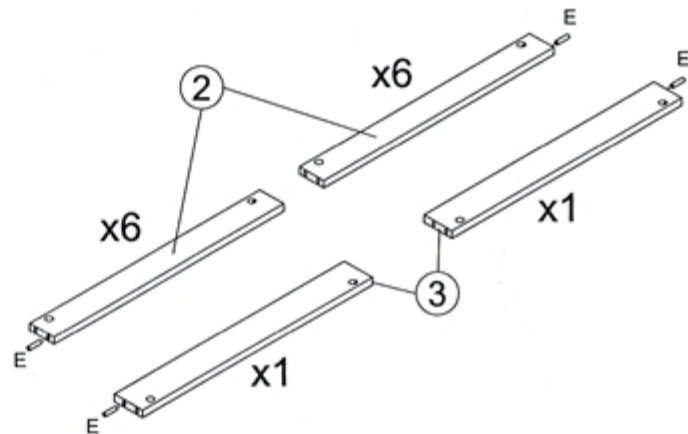
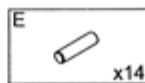
2



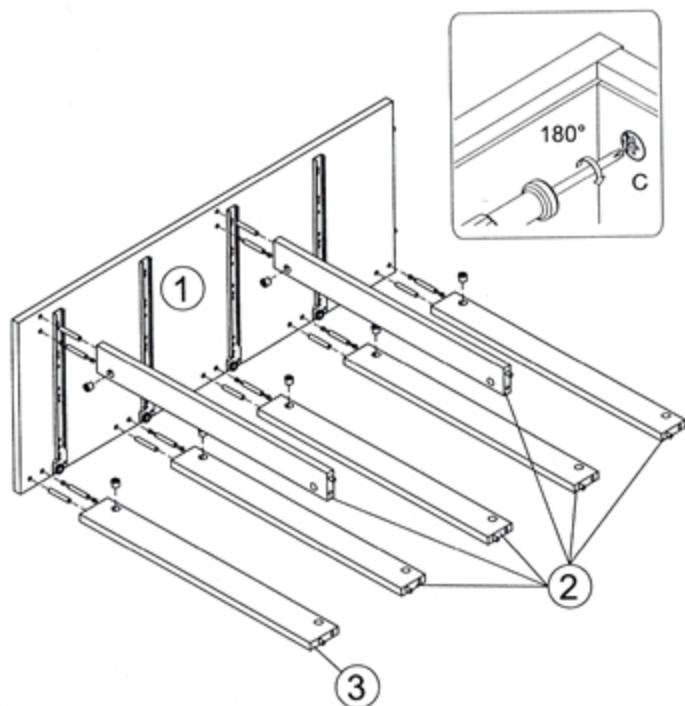
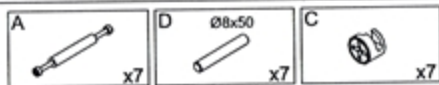
3



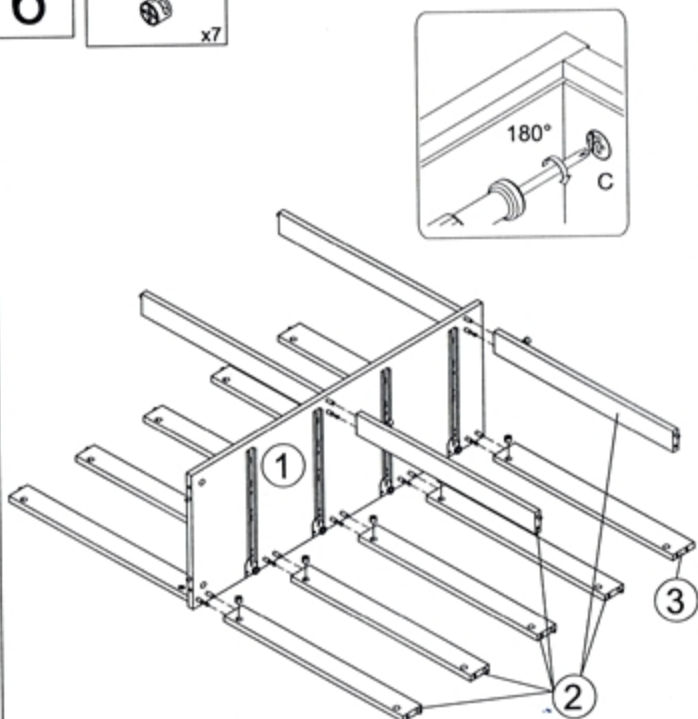
4



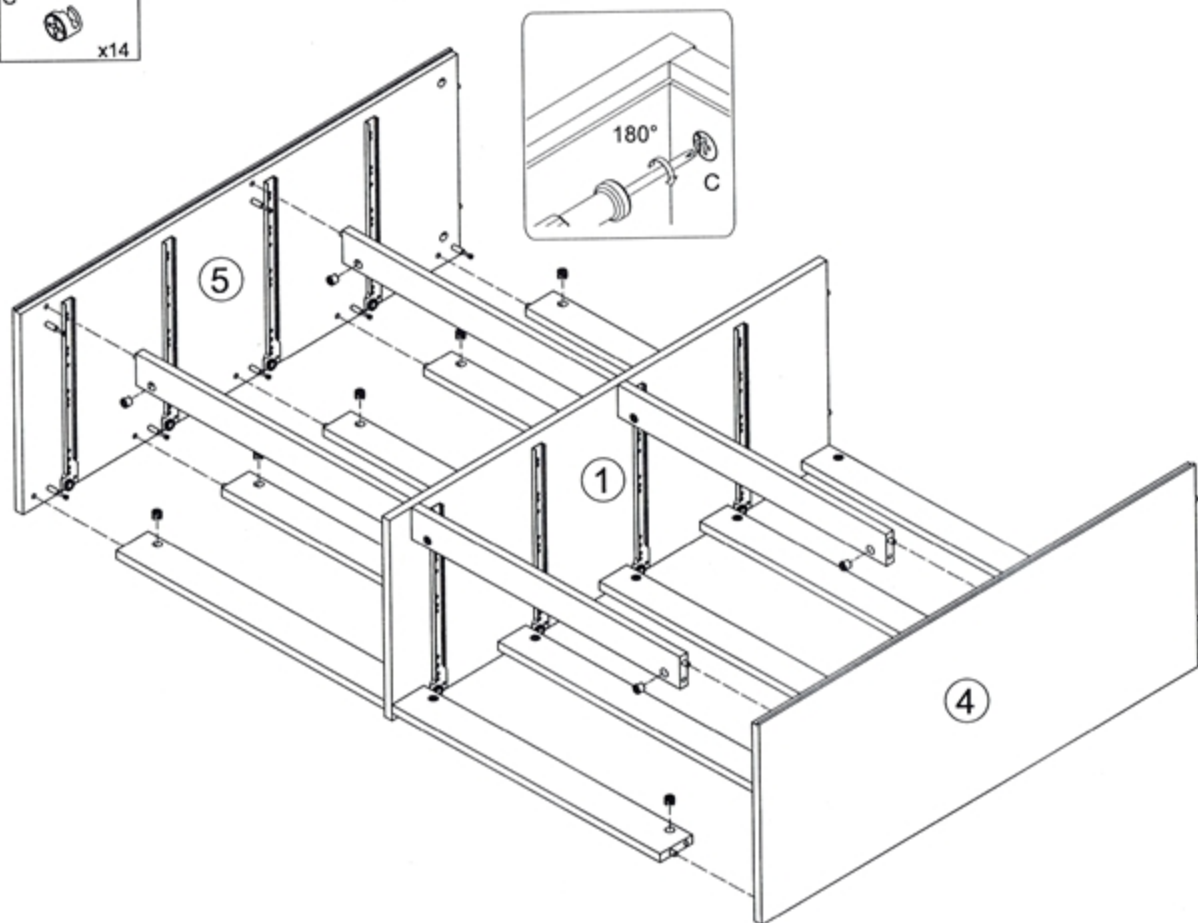
5



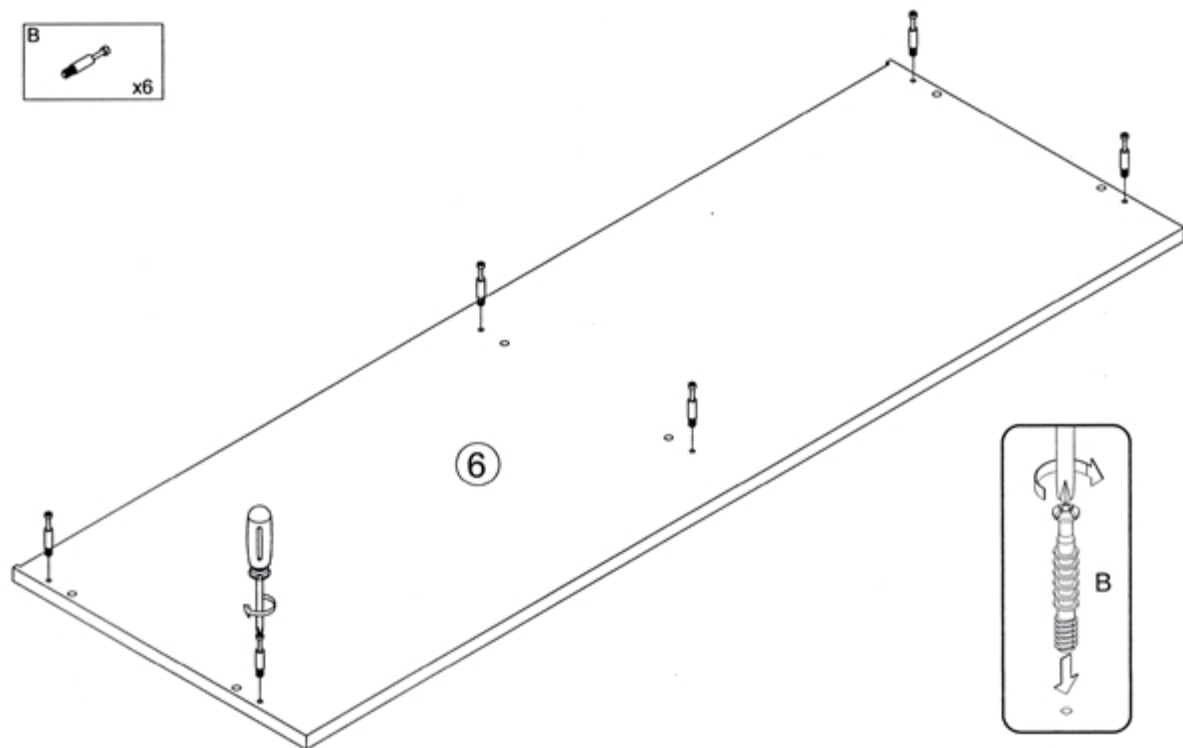
6



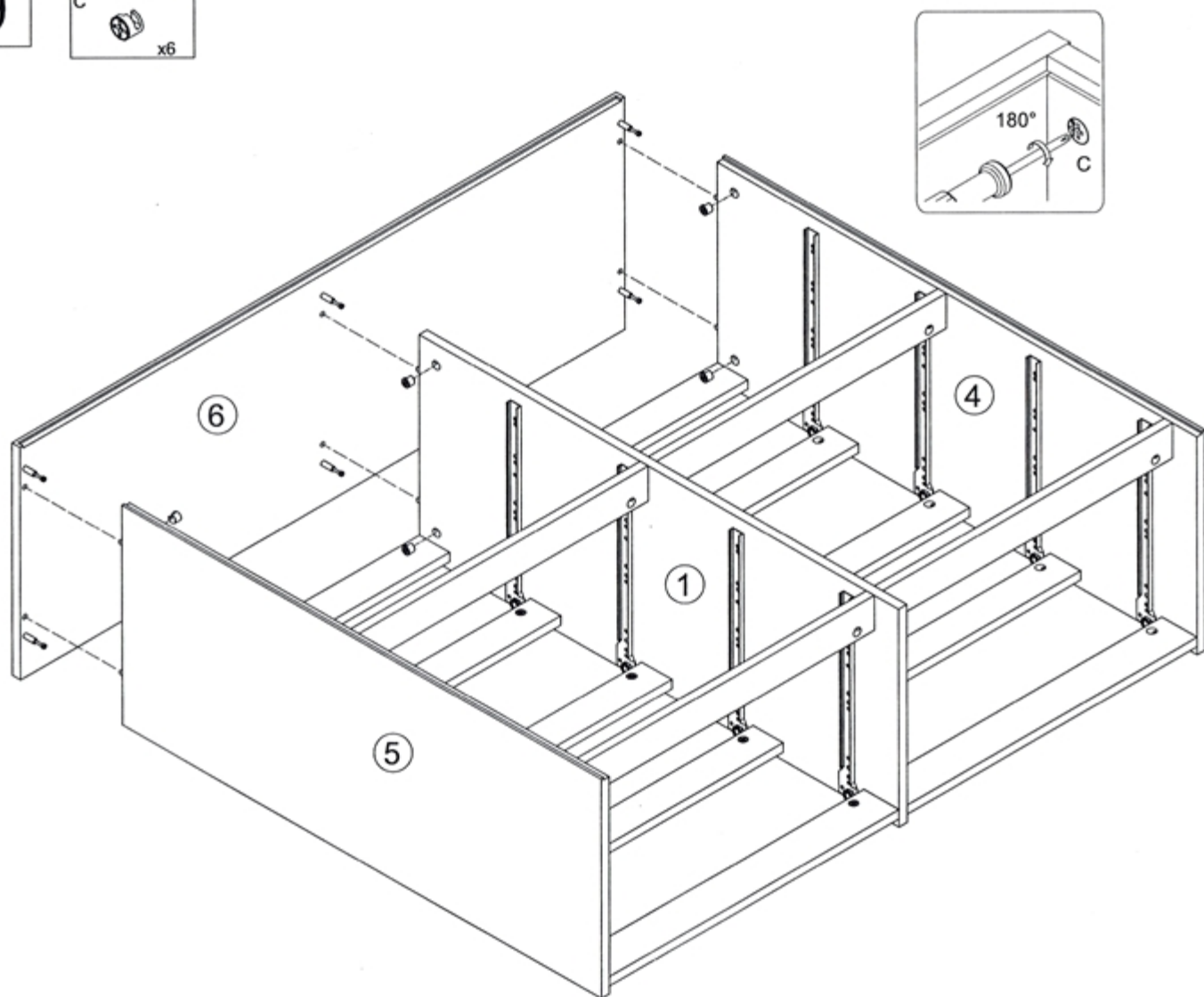
7



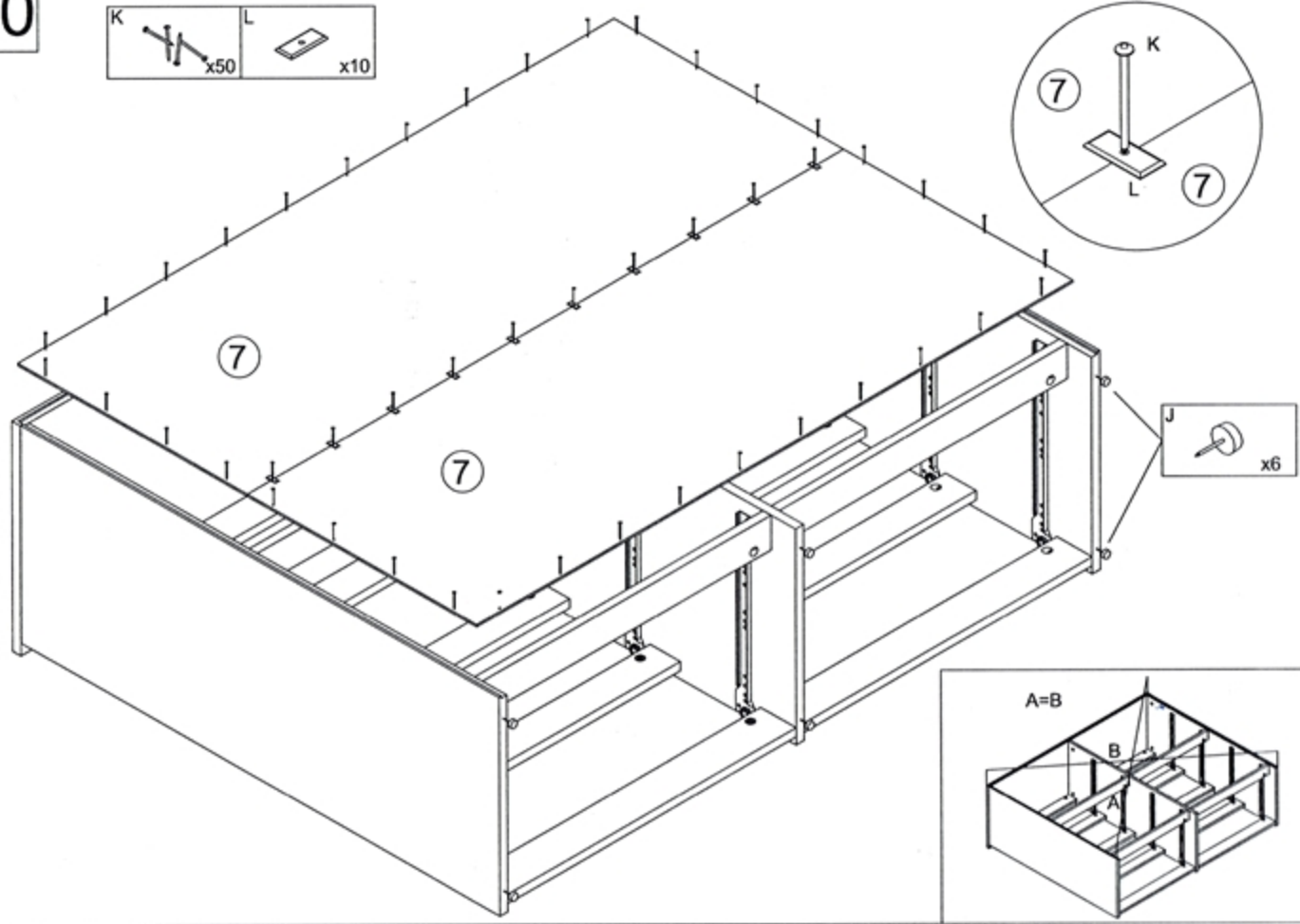
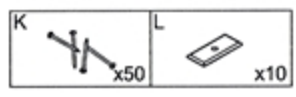
8



9



10



11

