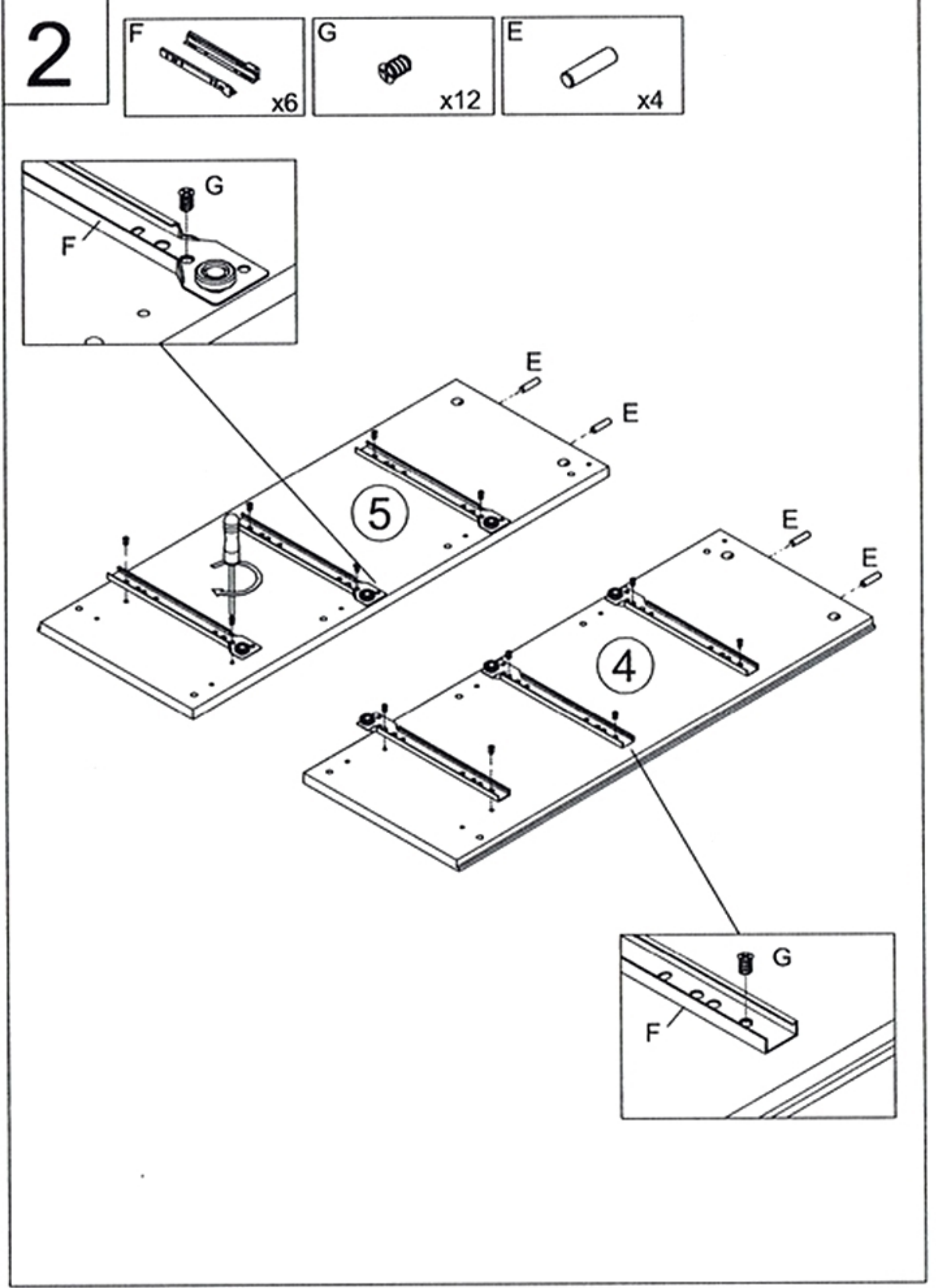
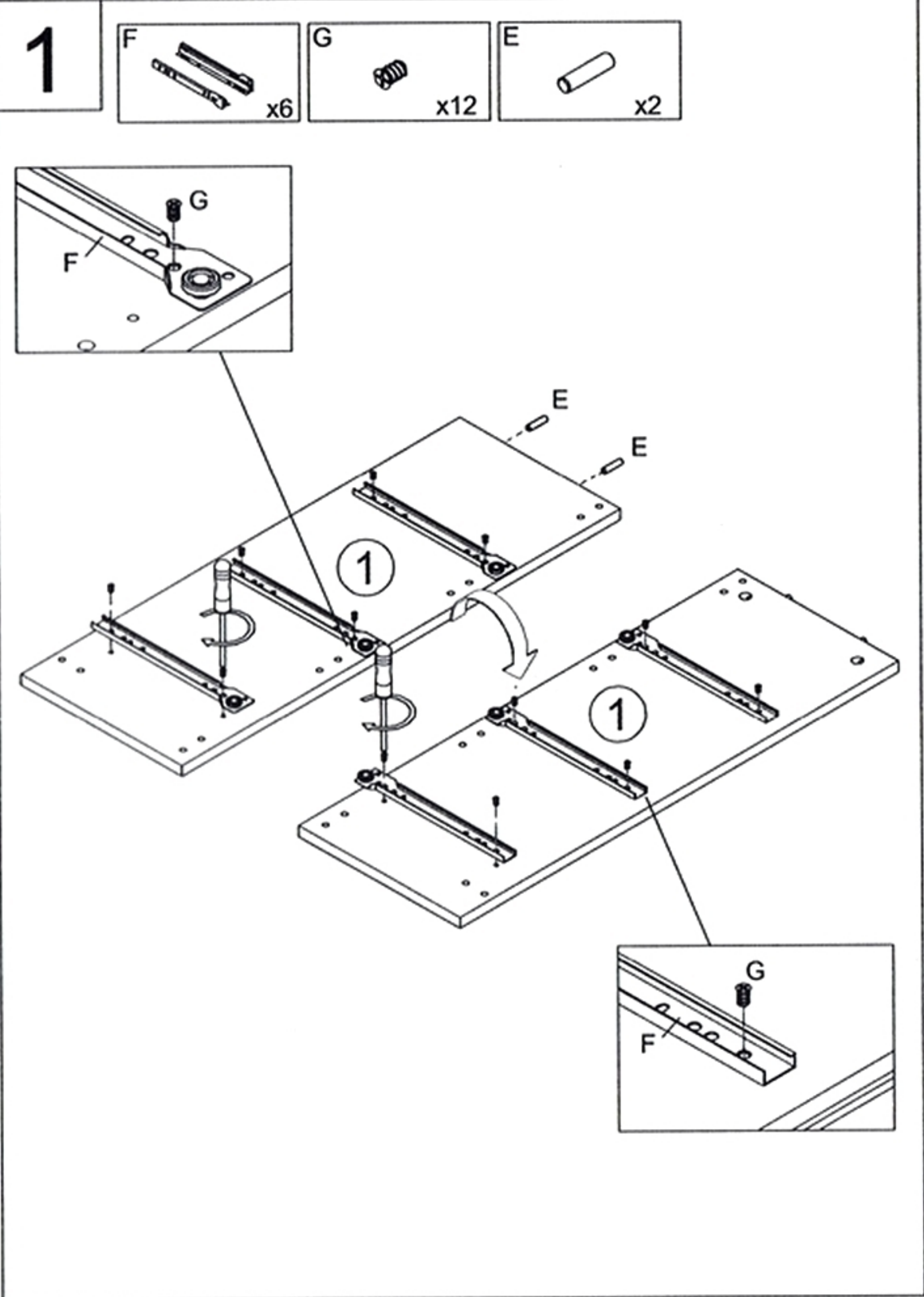
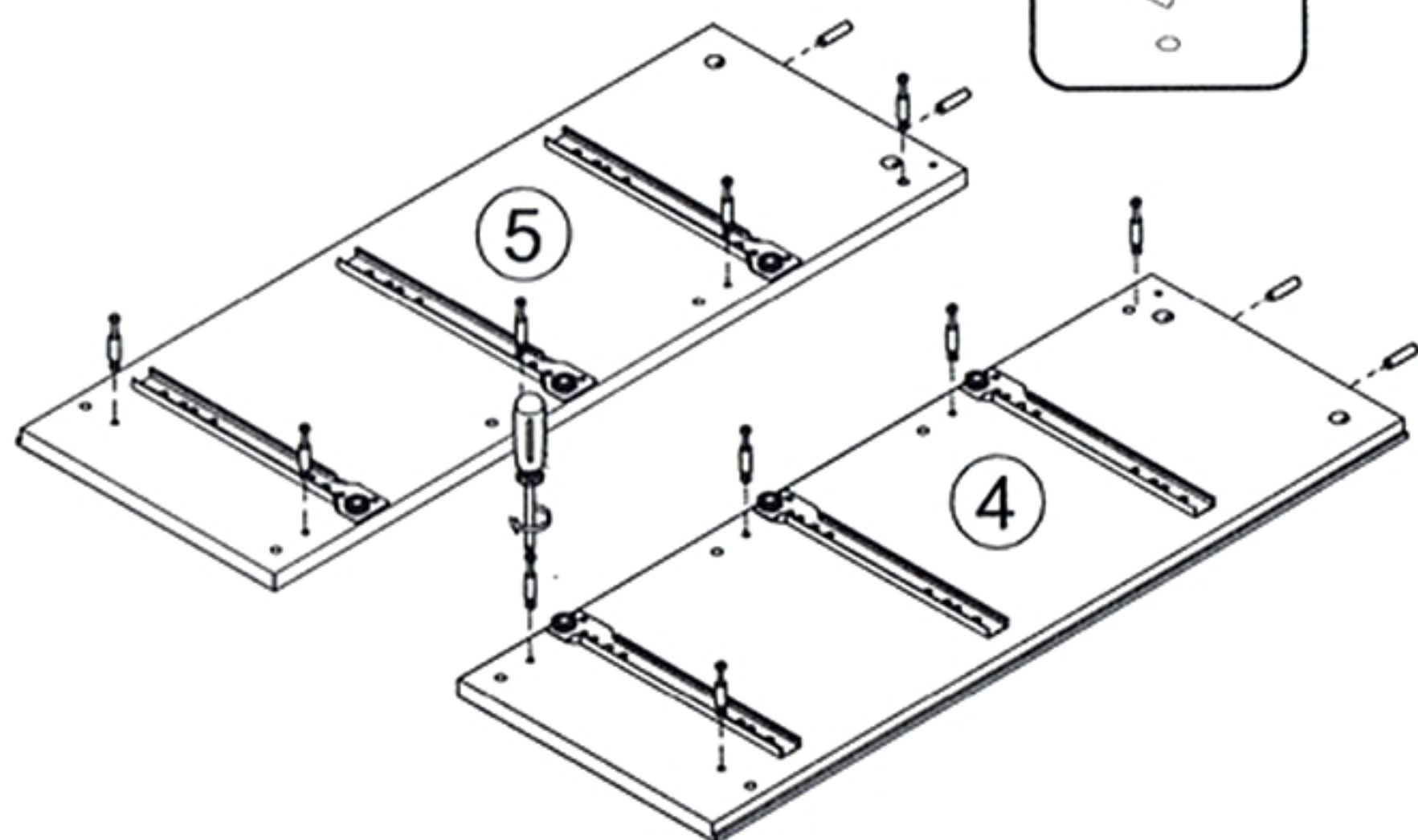
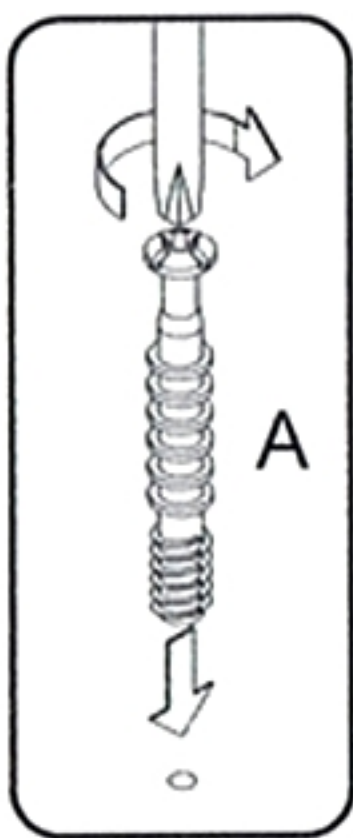
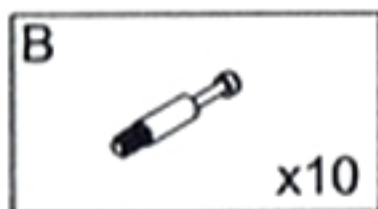


- |                       |                 |                   |                |                 |                 |
|-----------------------|-----------------|-------------------|----------------|-----------------|-----------------|
| A<br>L=82mm X5        | B<br>L=45mm X28 | C<br>12x15mm X38  | D<br>8x50mm X5 | E<br>8x35mm X64 | F<br>L=350mm X6 |
| G<br>6x8mm X24        | H<br>4x35mm X12 | I<br>3,5x15mm X24 | J<br>x6        | K<br>x70        | L<br>x5         |
| M<br>x48<br>ø18mm X12 | L=150mm X1      | L=688mm X2        |                |                 |                 |

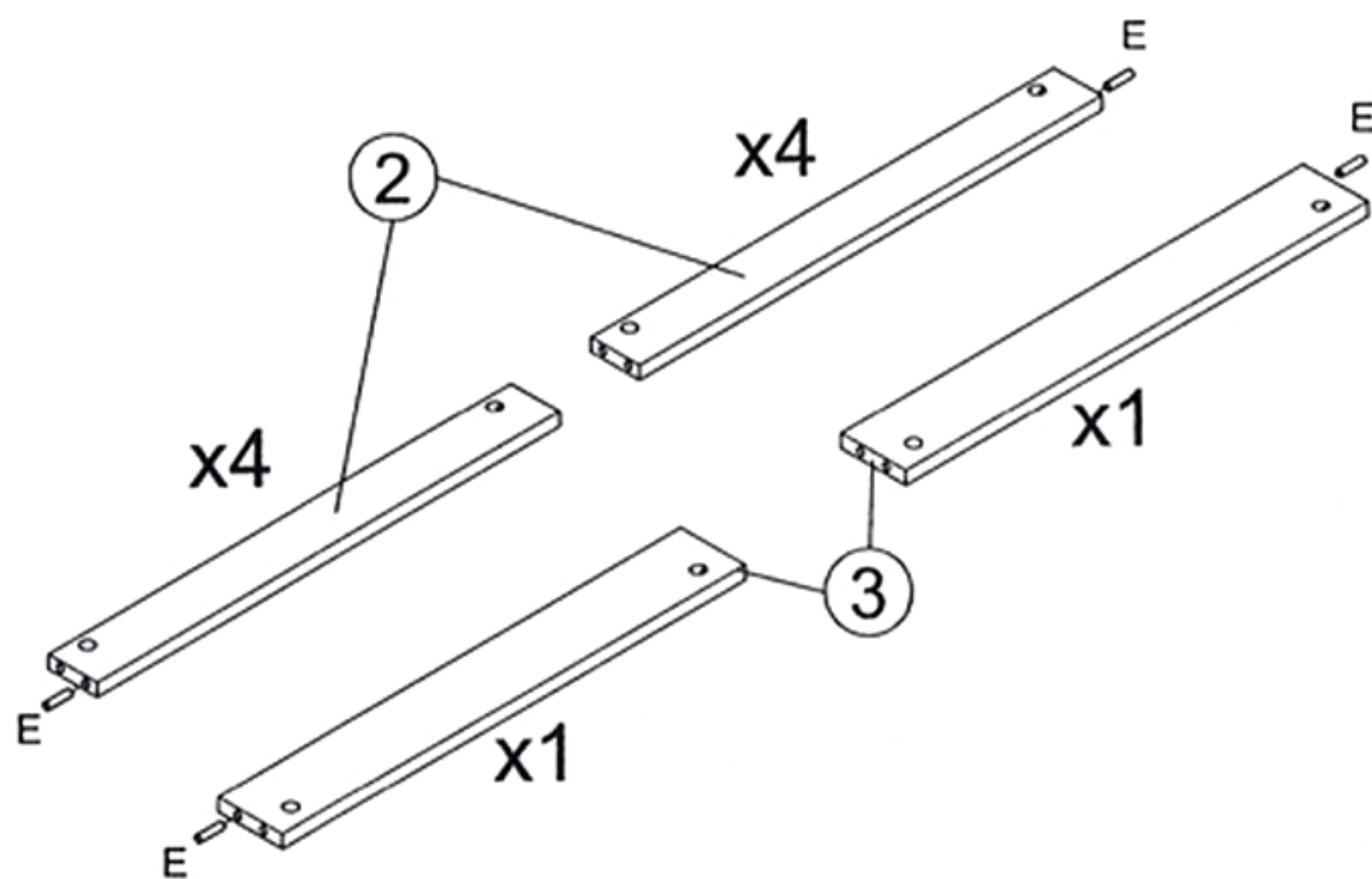
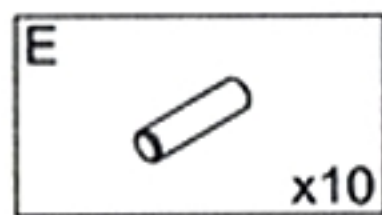




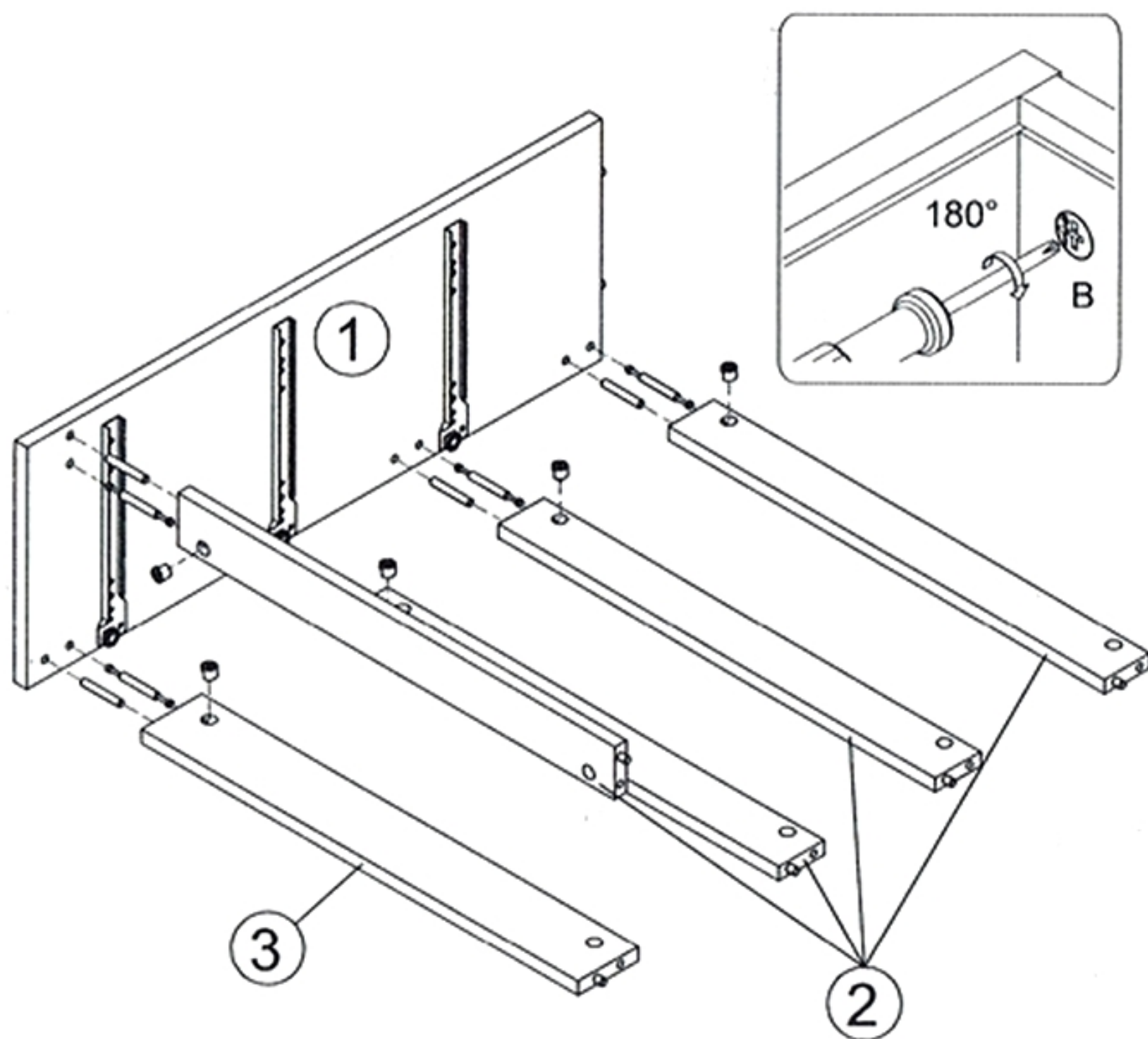
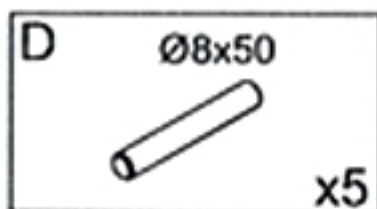
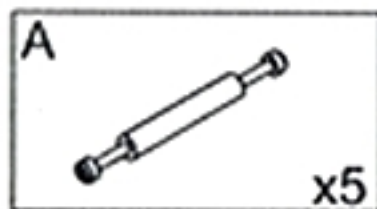
3



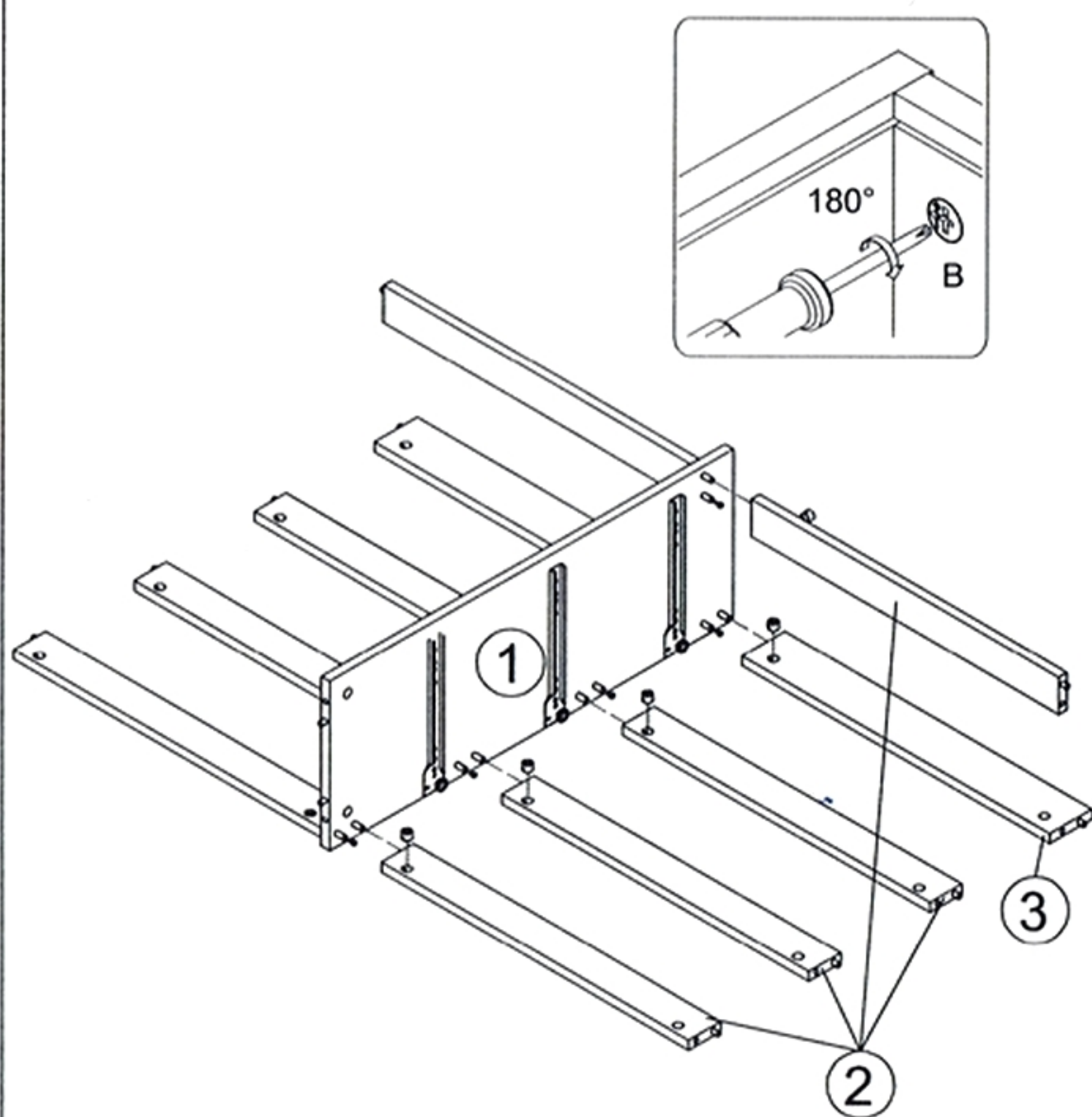
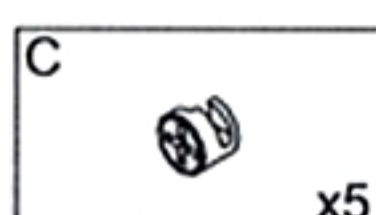
4



5

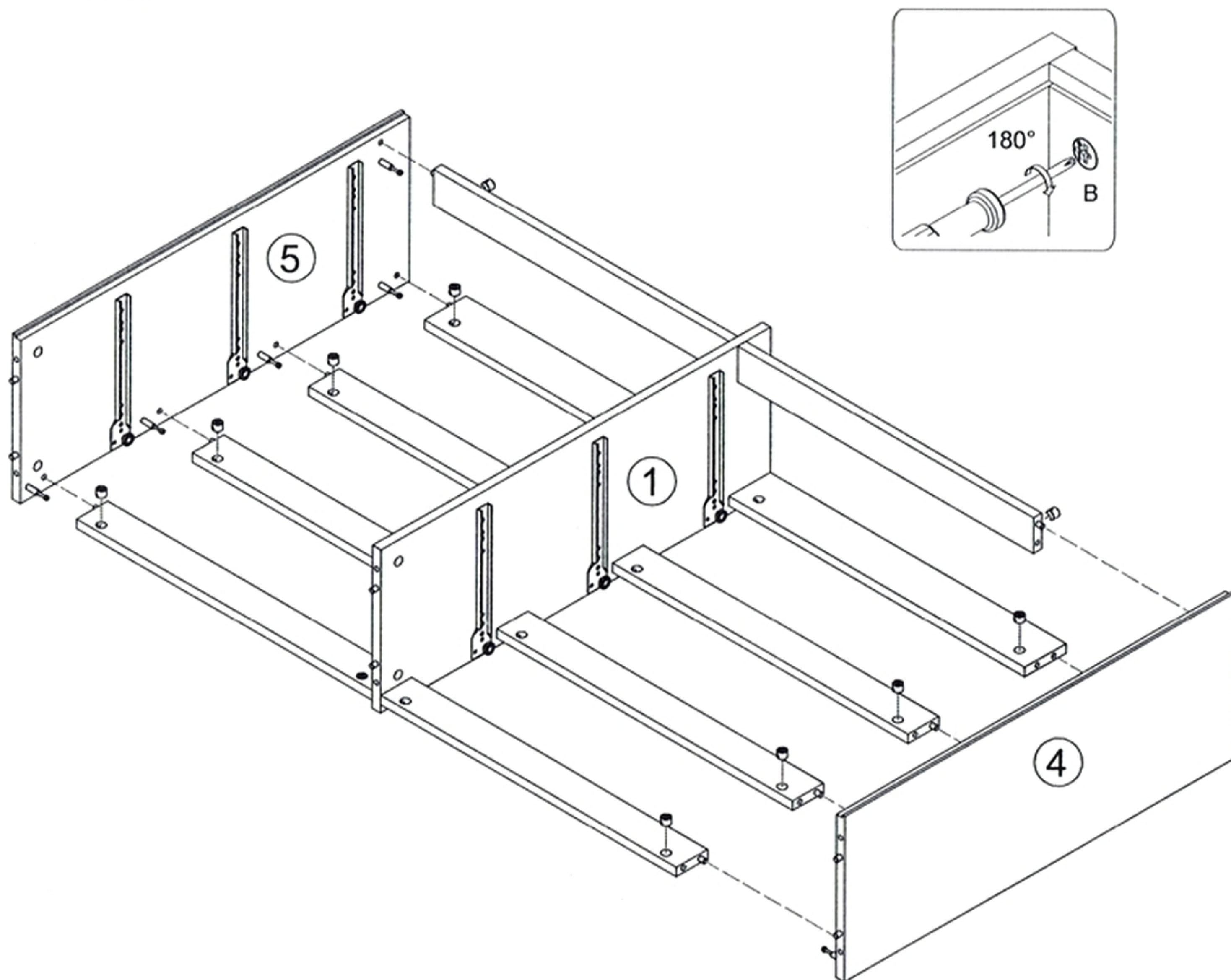
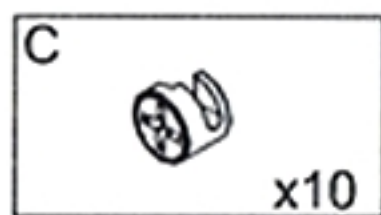


6

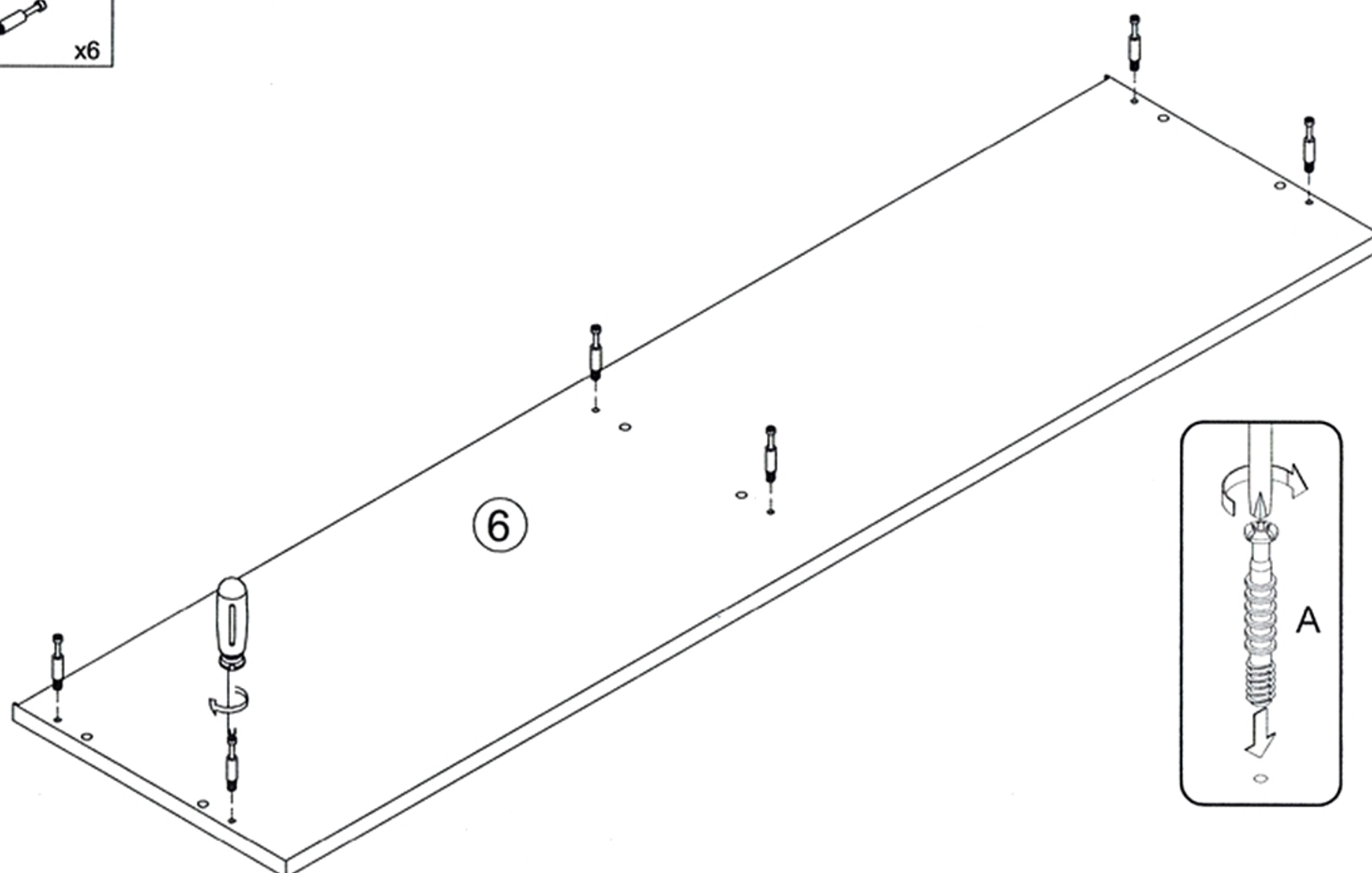




7

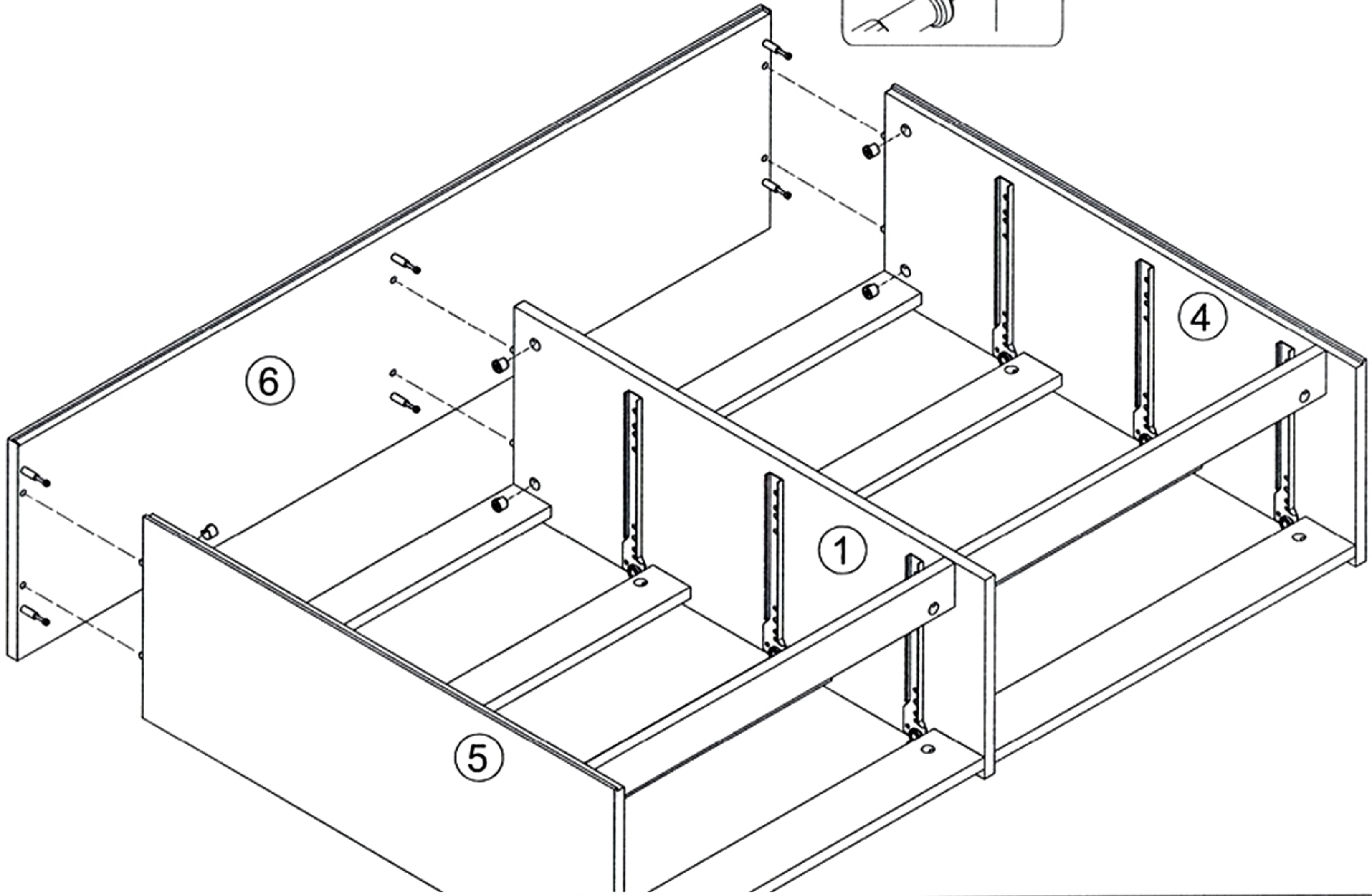
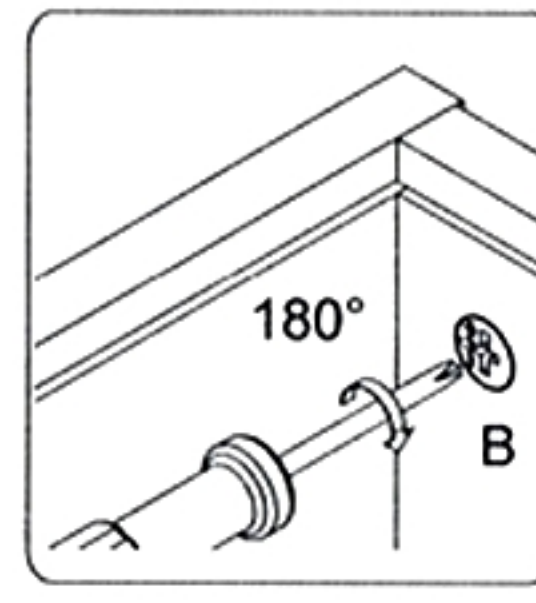
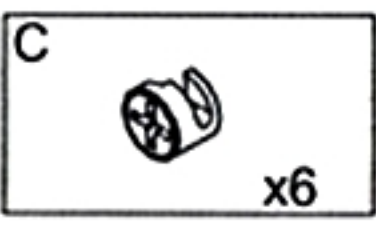


8

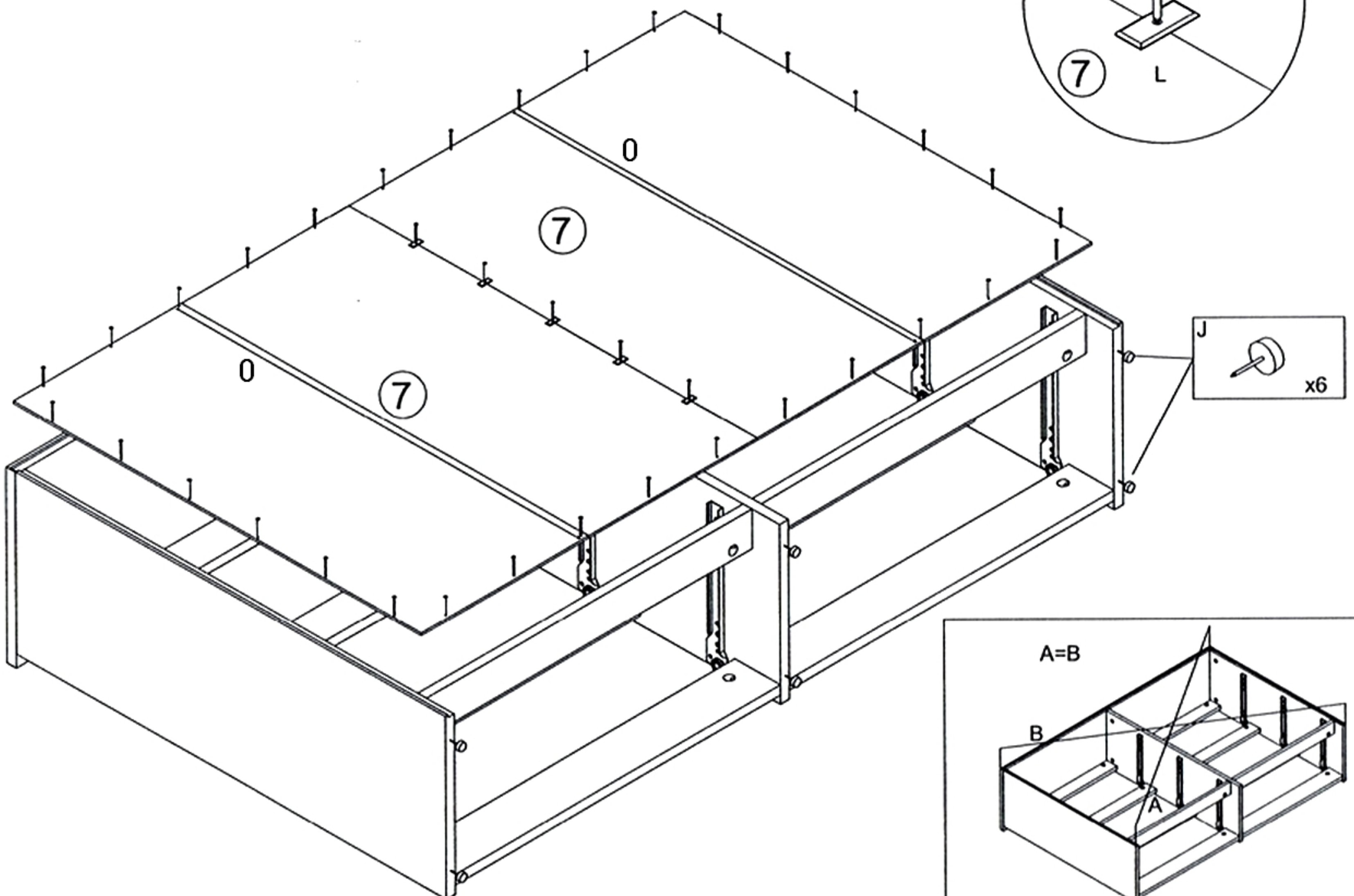
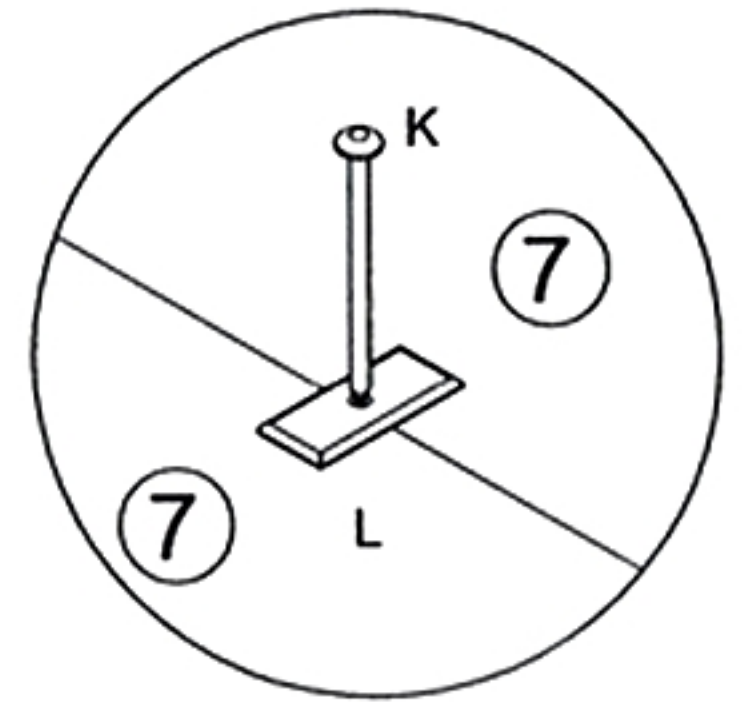
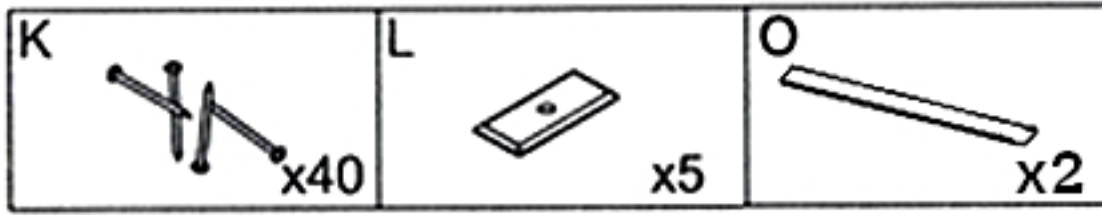




9

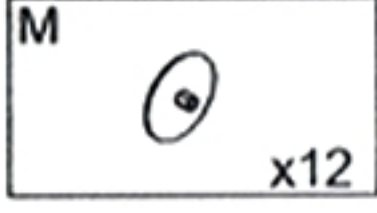
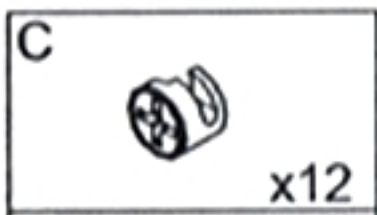
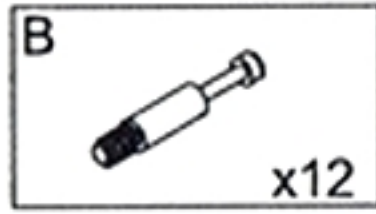
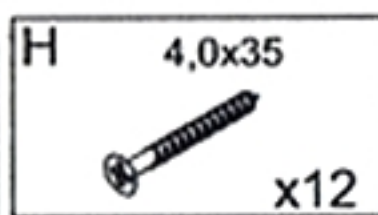
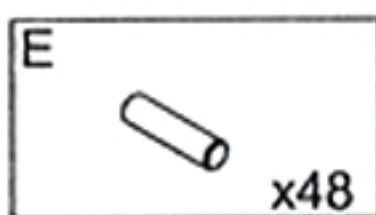


10

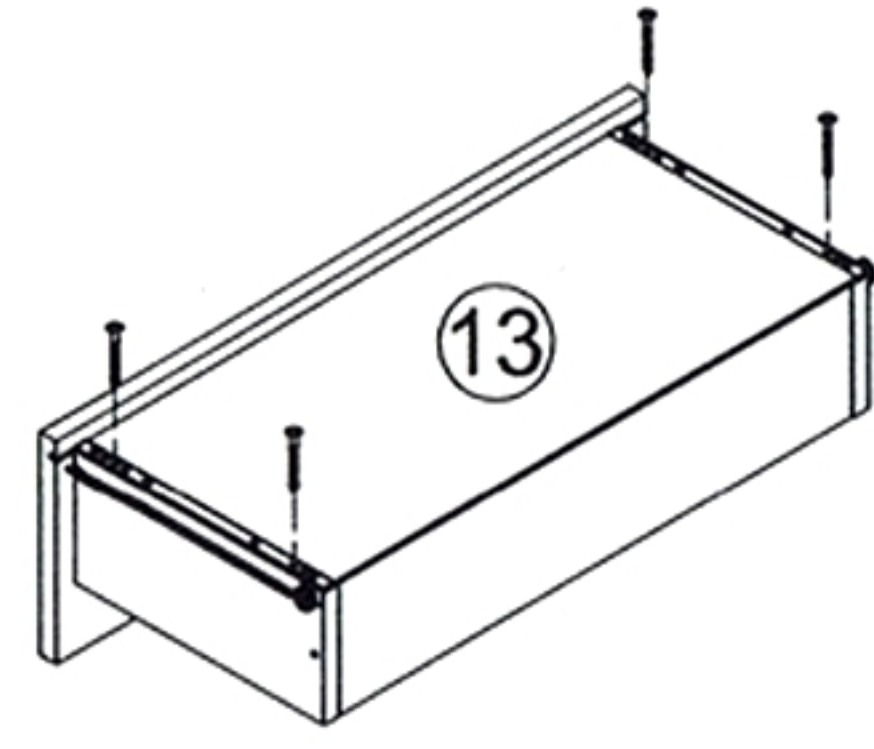
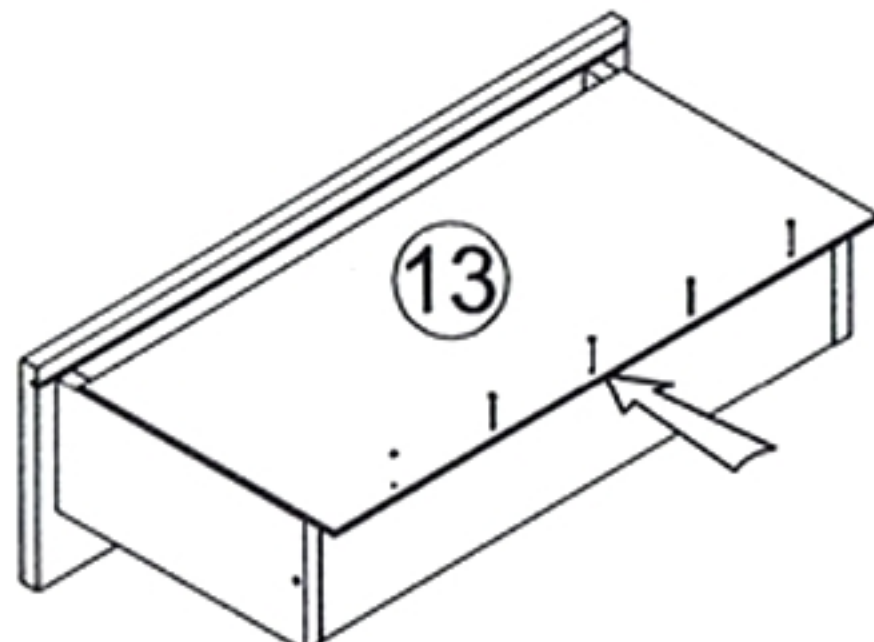
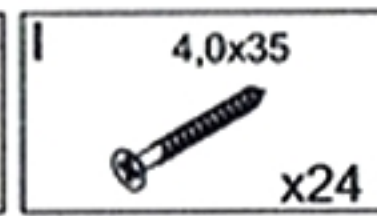
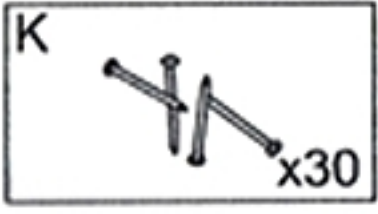
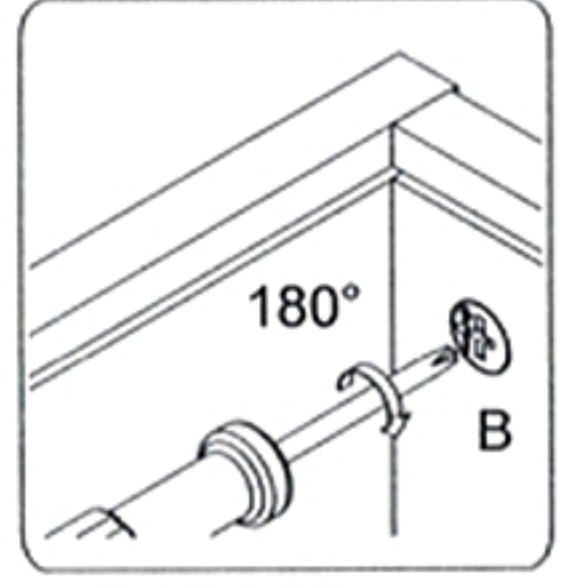
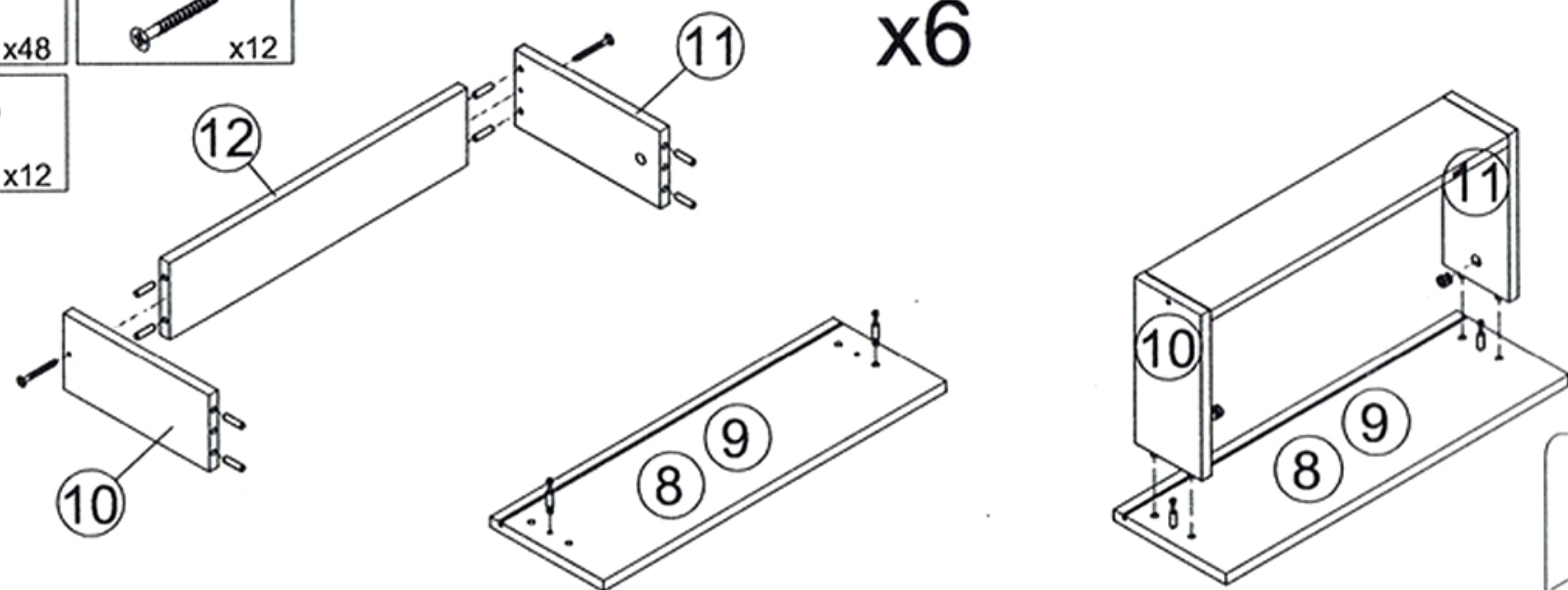




# 11



## x6



# 12

