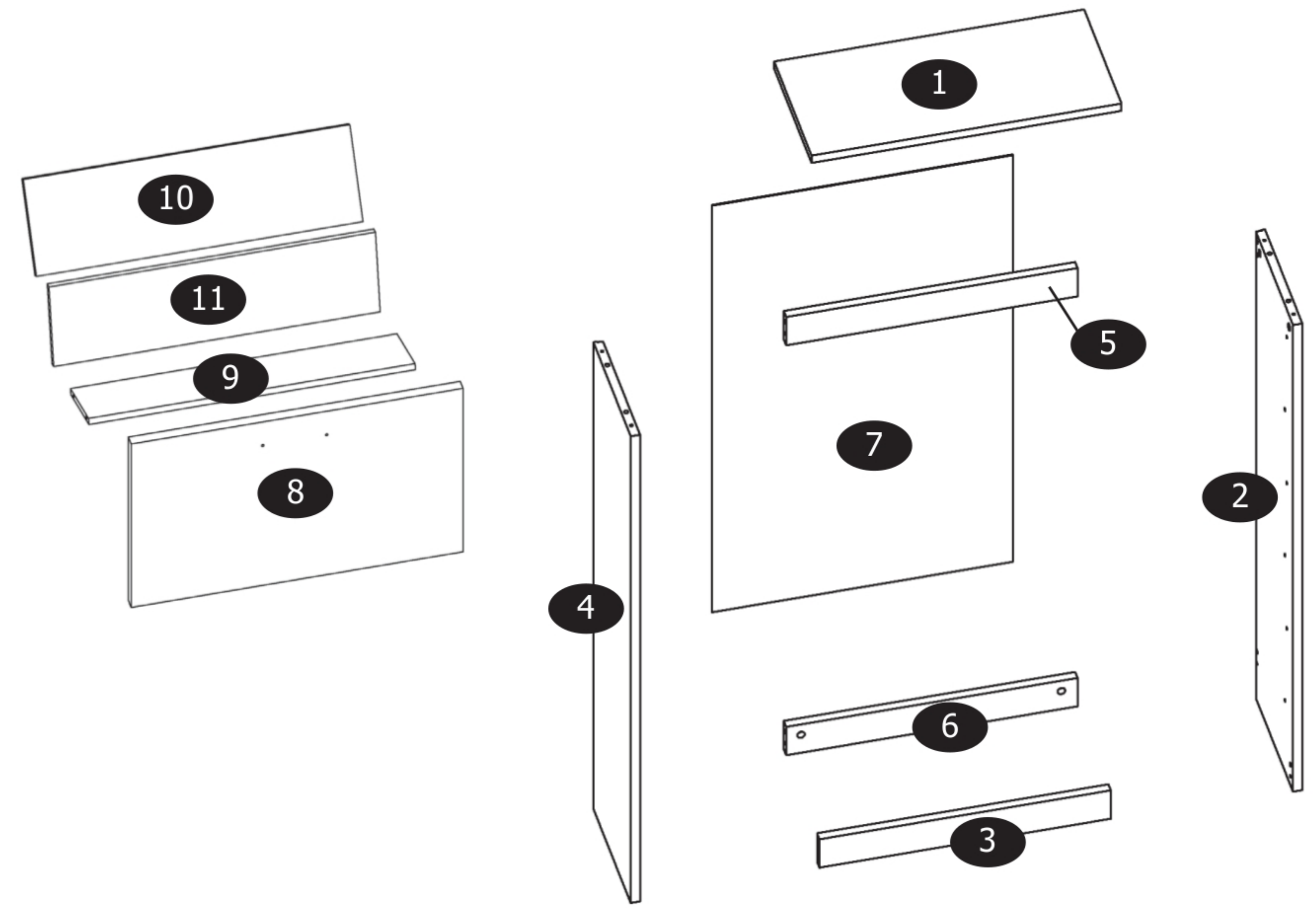
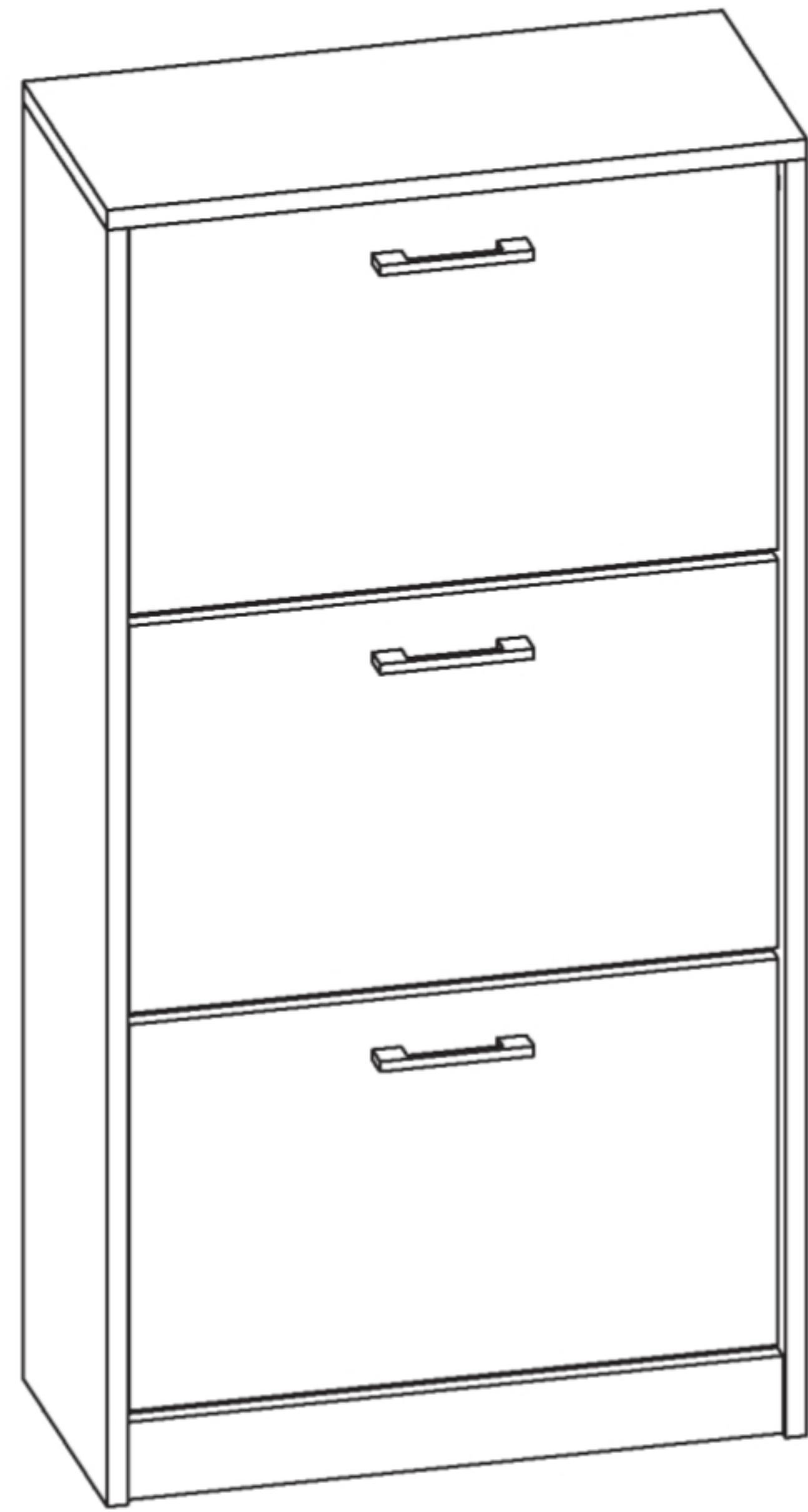

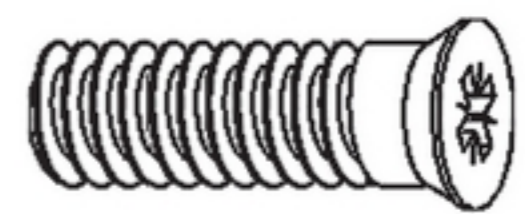


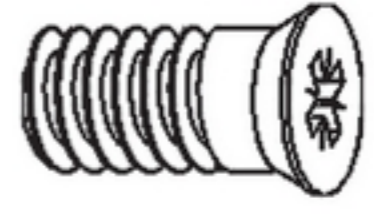


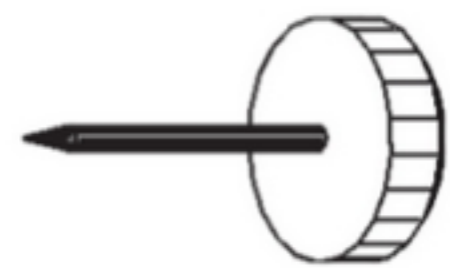
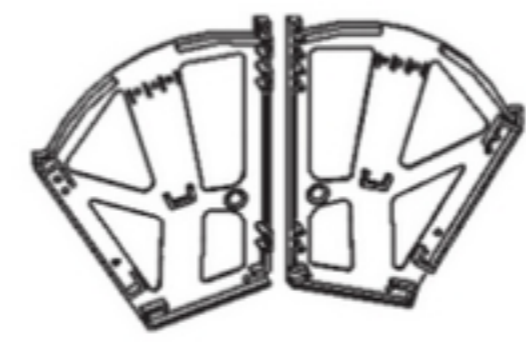

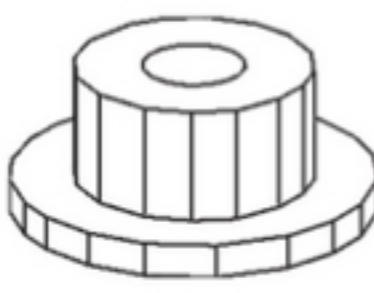
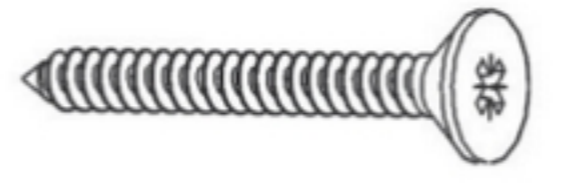

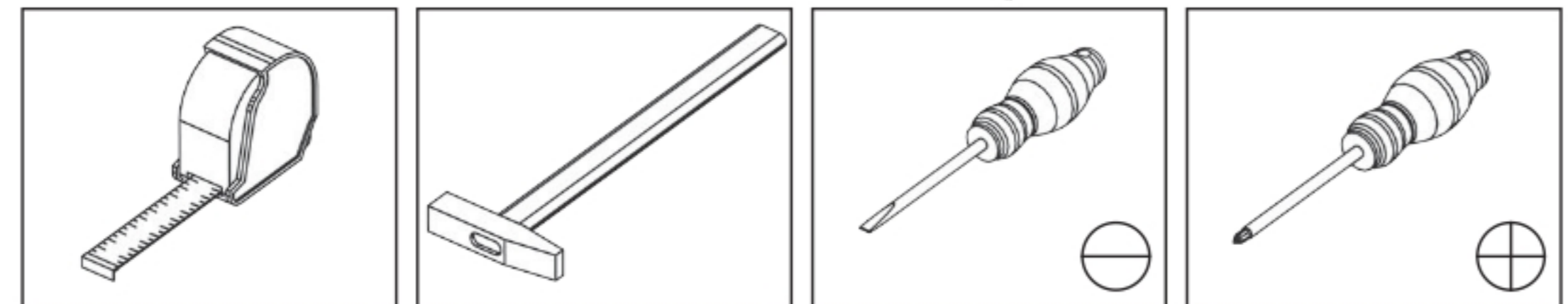


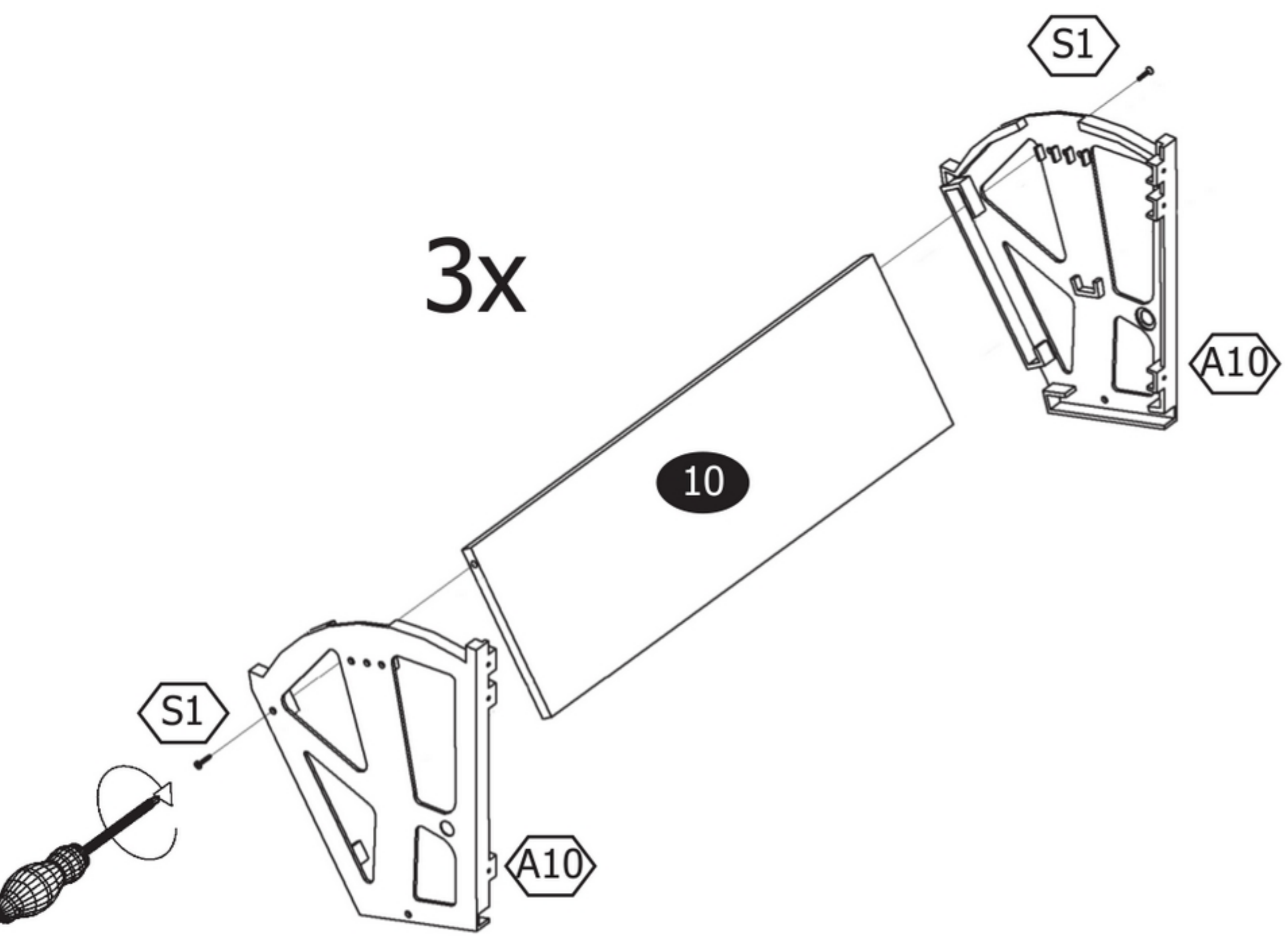
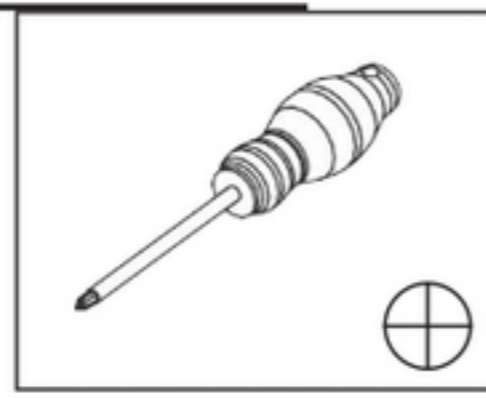
PAULA



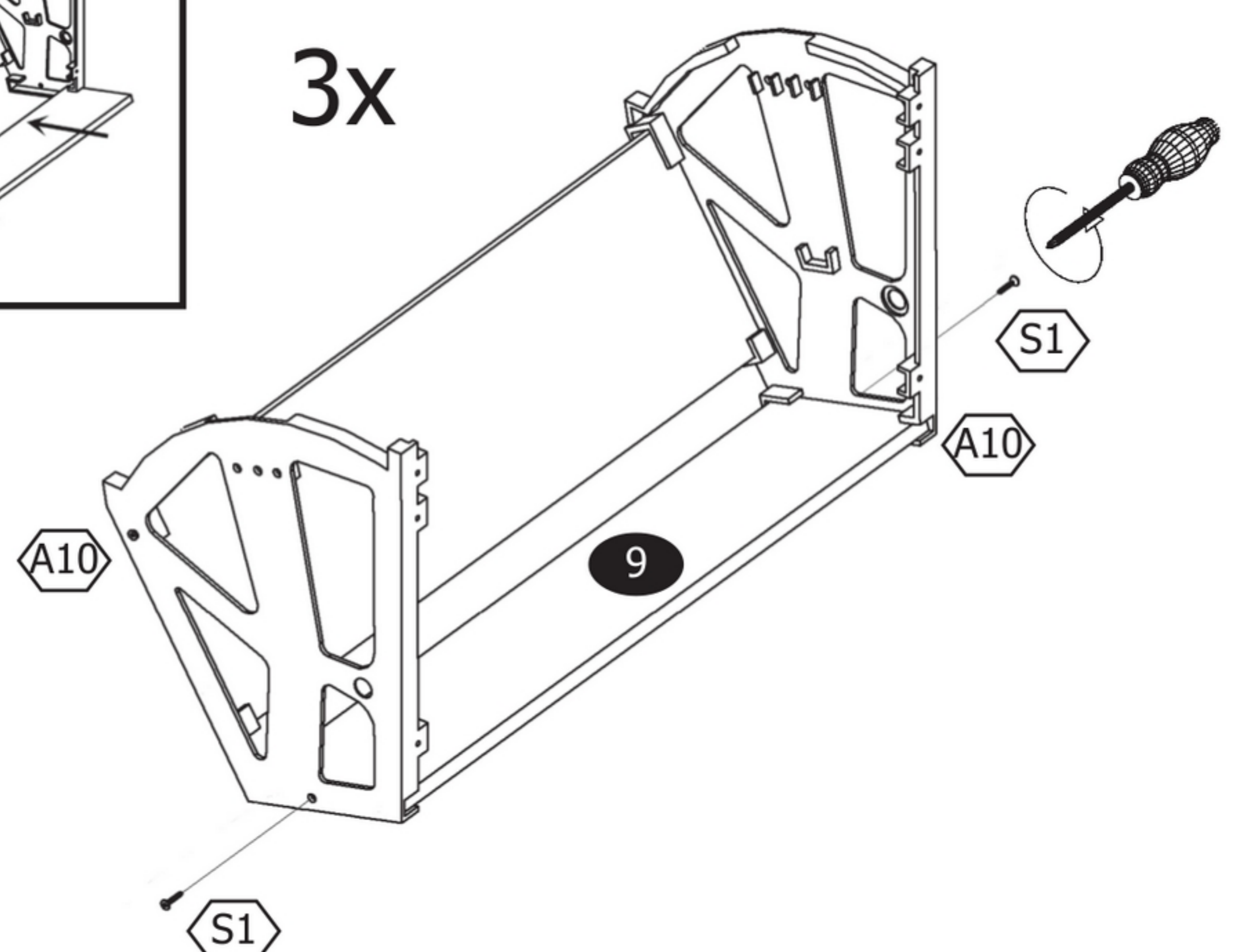
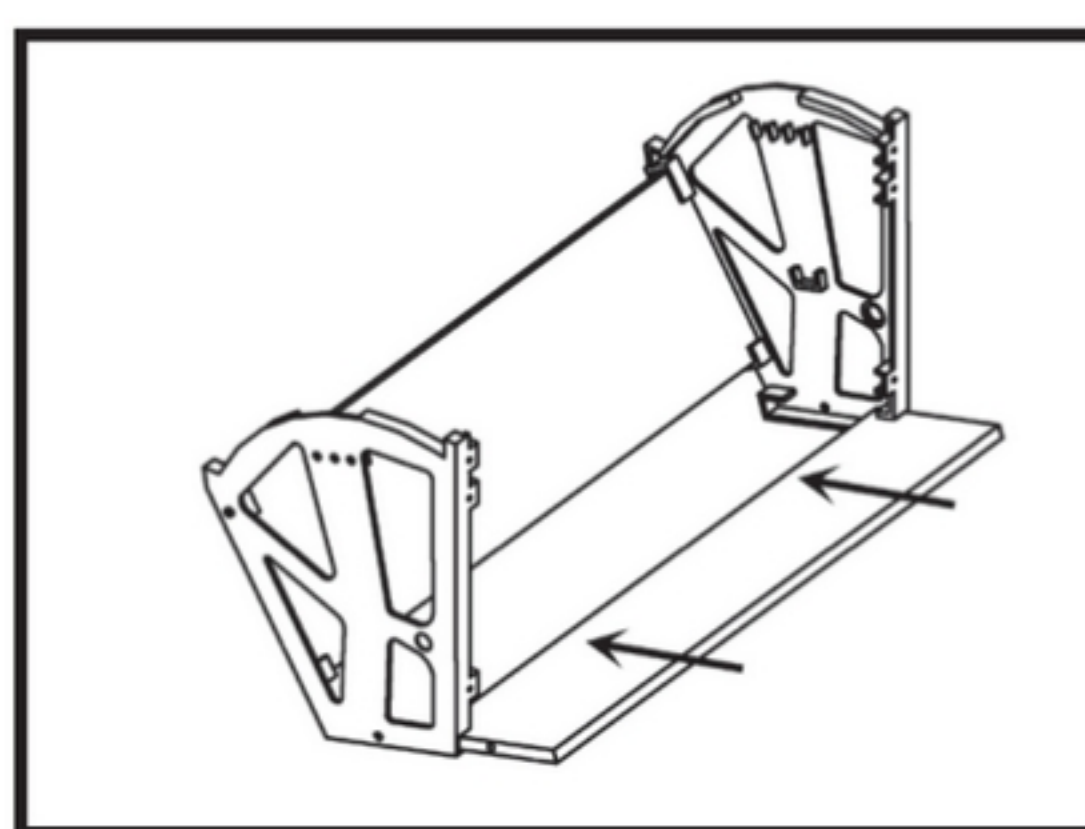
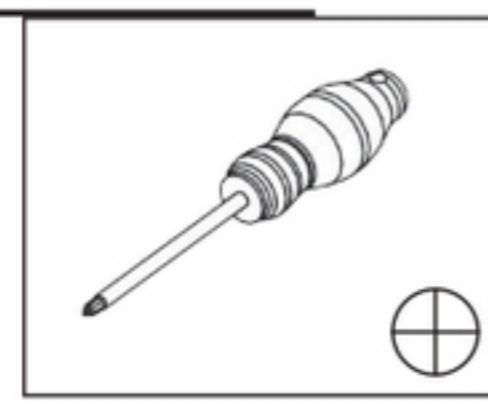
<p>U1</p>  <p>x 3</p>	<p>S16</p>  <p>x 6 6,3x20mm</p>	<p>N1</p>  <p>x 8</p>	
<p>S1</p>  <p>x 18 2,5x20 mm</p>	<p>S15</p>  <p>x 18 6,3x13mm</p>	<p>M3</p>  <p>x 8</p>	
<p>E1</p>  <p>x 12</p>	<p>T1</p>  <p>x 4</p>	<p>A10</p>  <p>x 3</p>	
<p>A11</p>  <p>x 6</p>	<p>A12</p>  <p>x 6</p>	<p>S3</p>  <p>x 6 4x27mm</p>	
<p>Z2</p>  <p>x 26</p>			

- 1 x1**
- 2 x1**
- 3 x1**
- 4 x1**
- 5 x1**
- 6 x1**
- 7 x1**
- 8 x3**
- 9 x3**
- 10 x3**
- 11 x3**

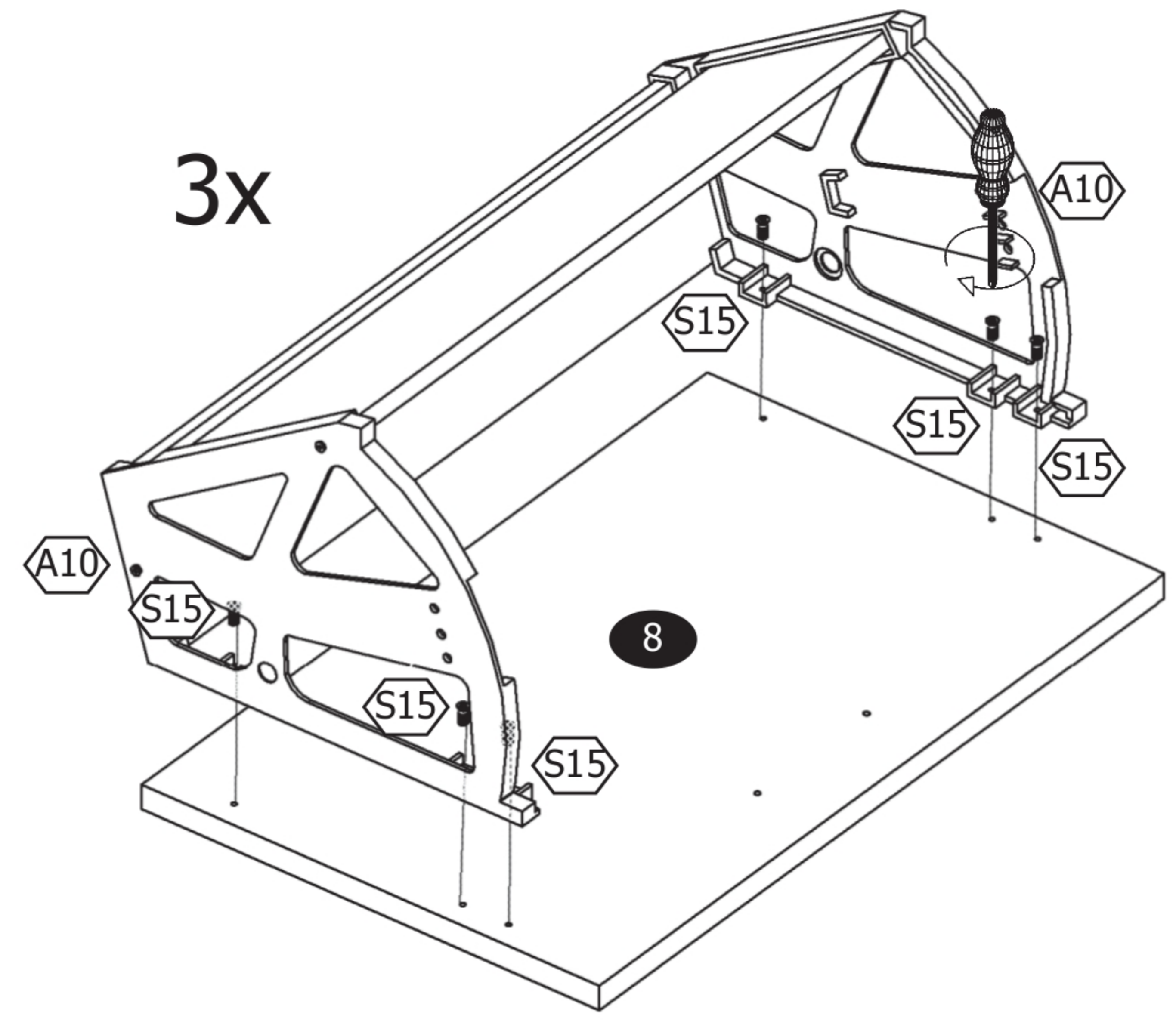
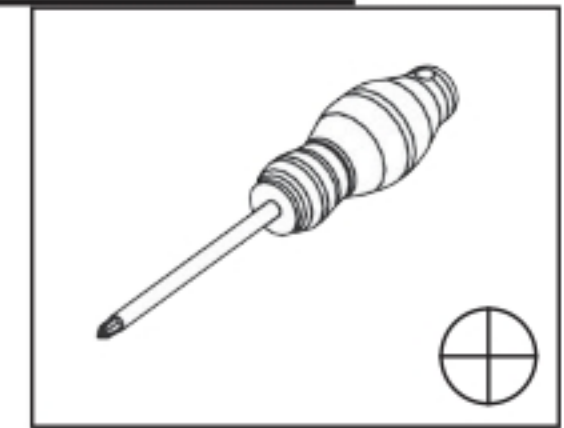
1



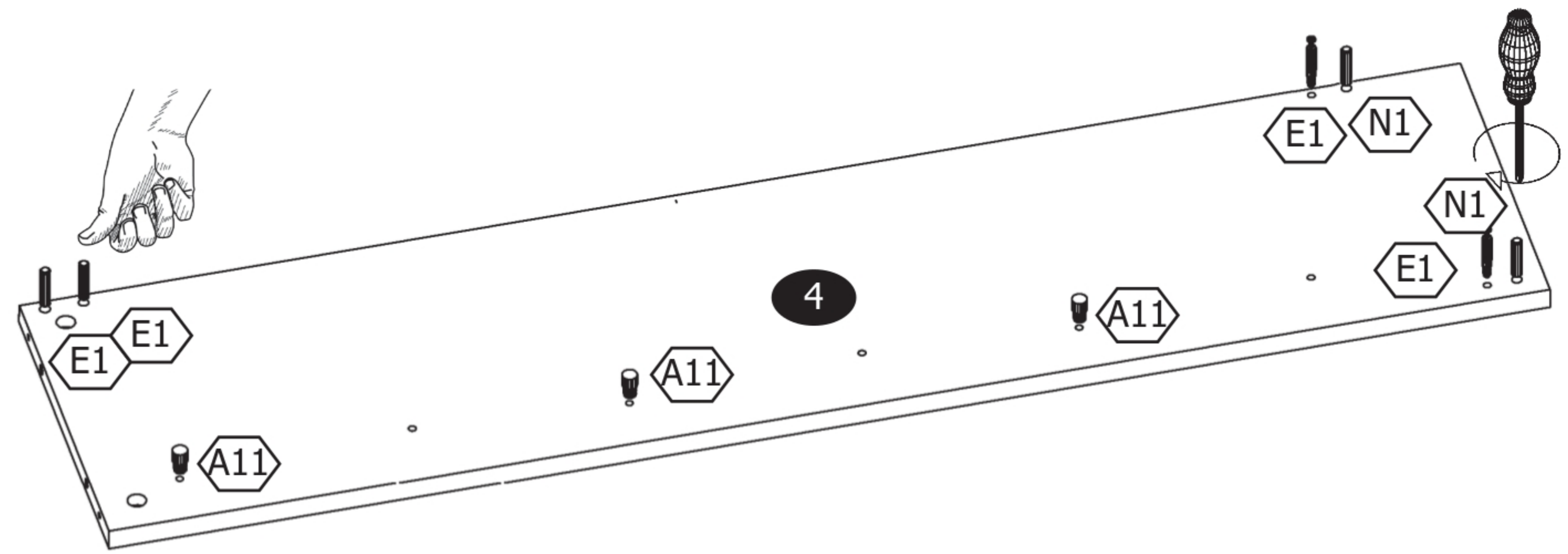
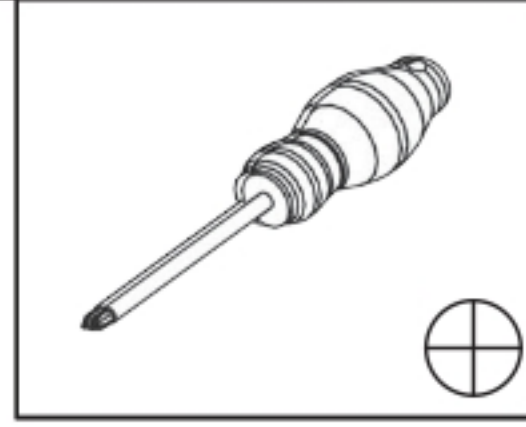
2



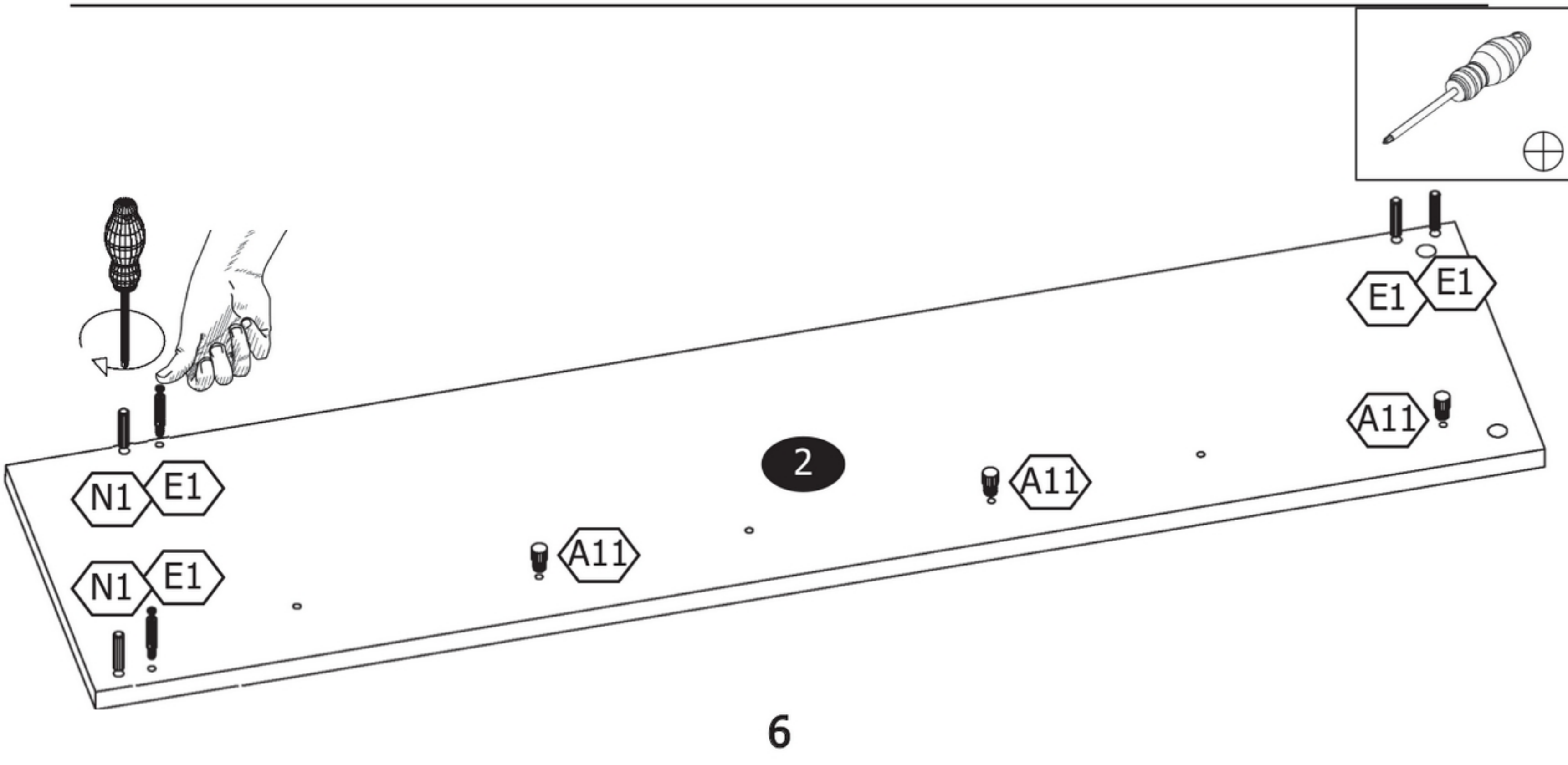
3



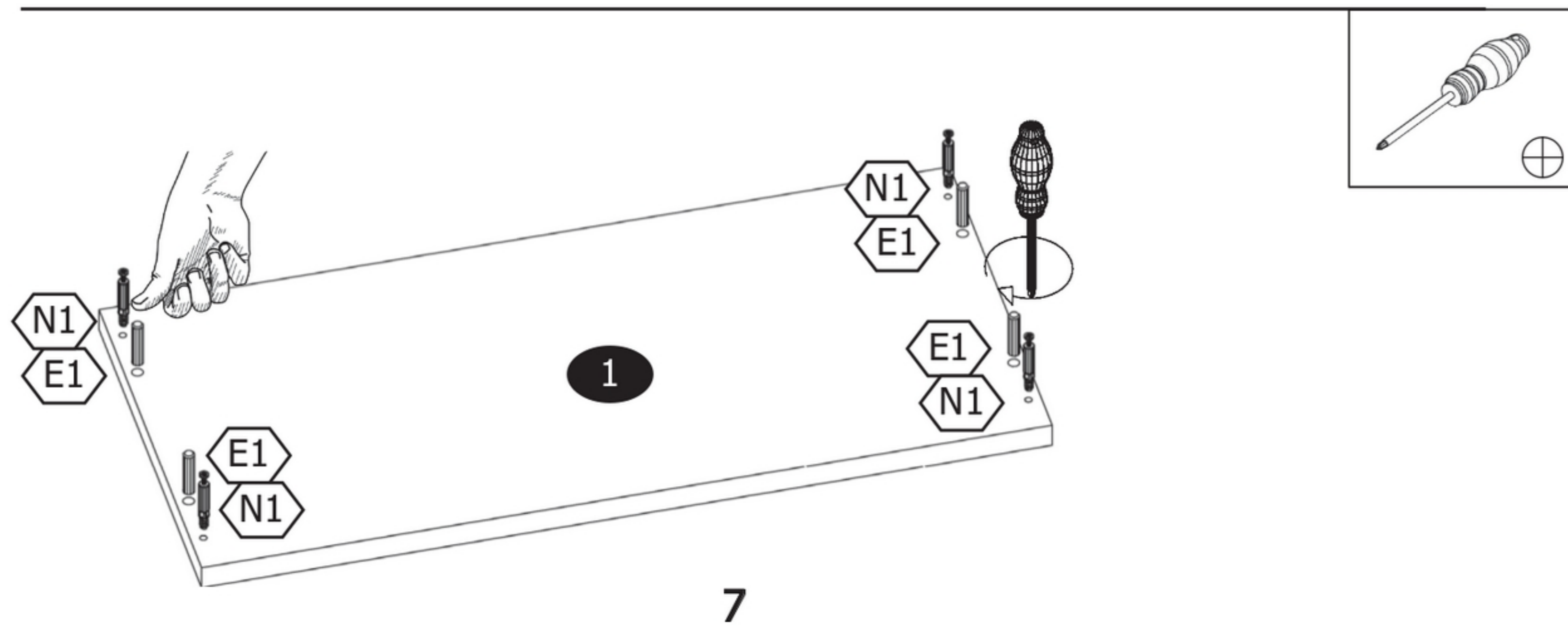
4



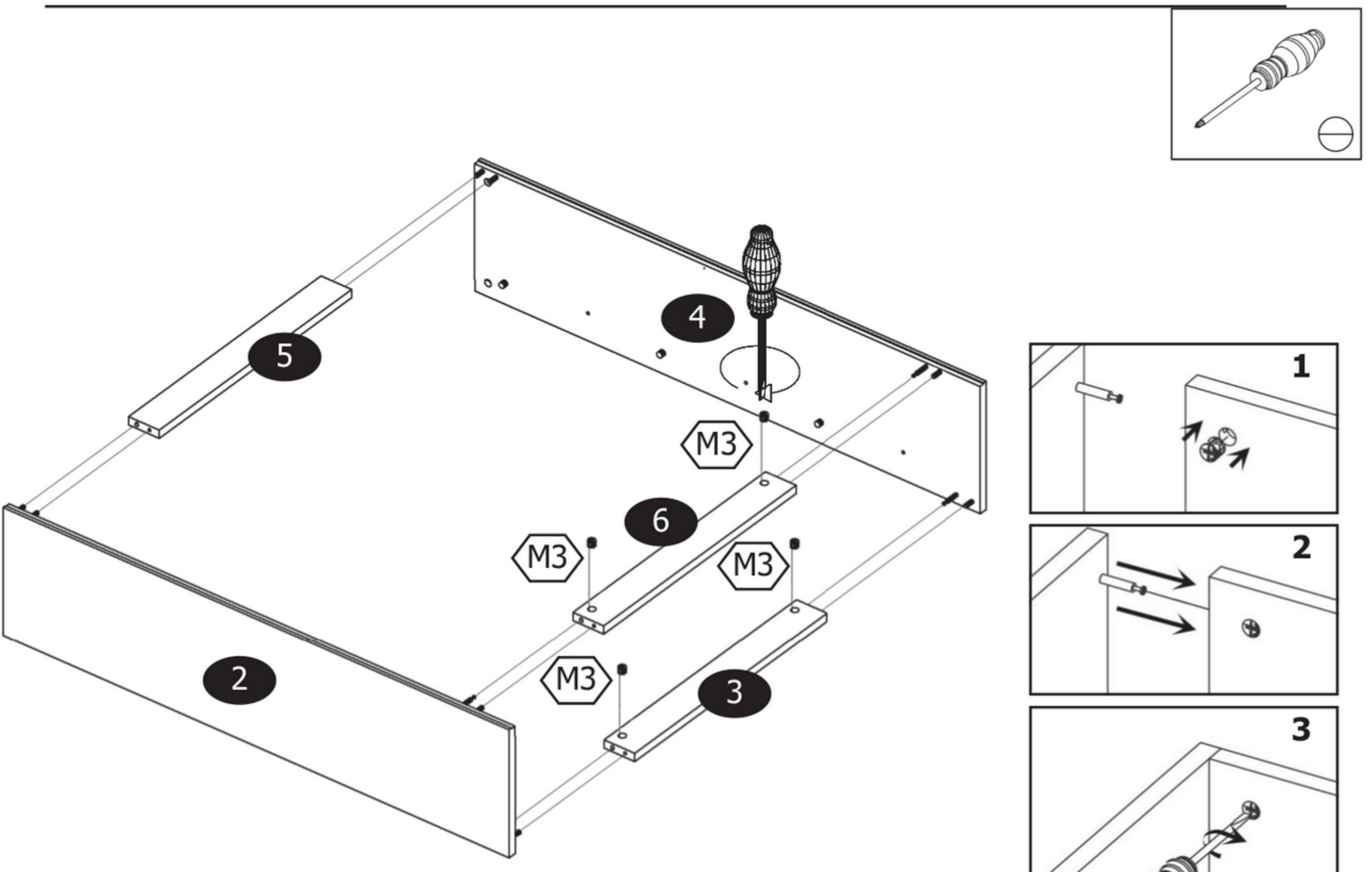
5



6



7

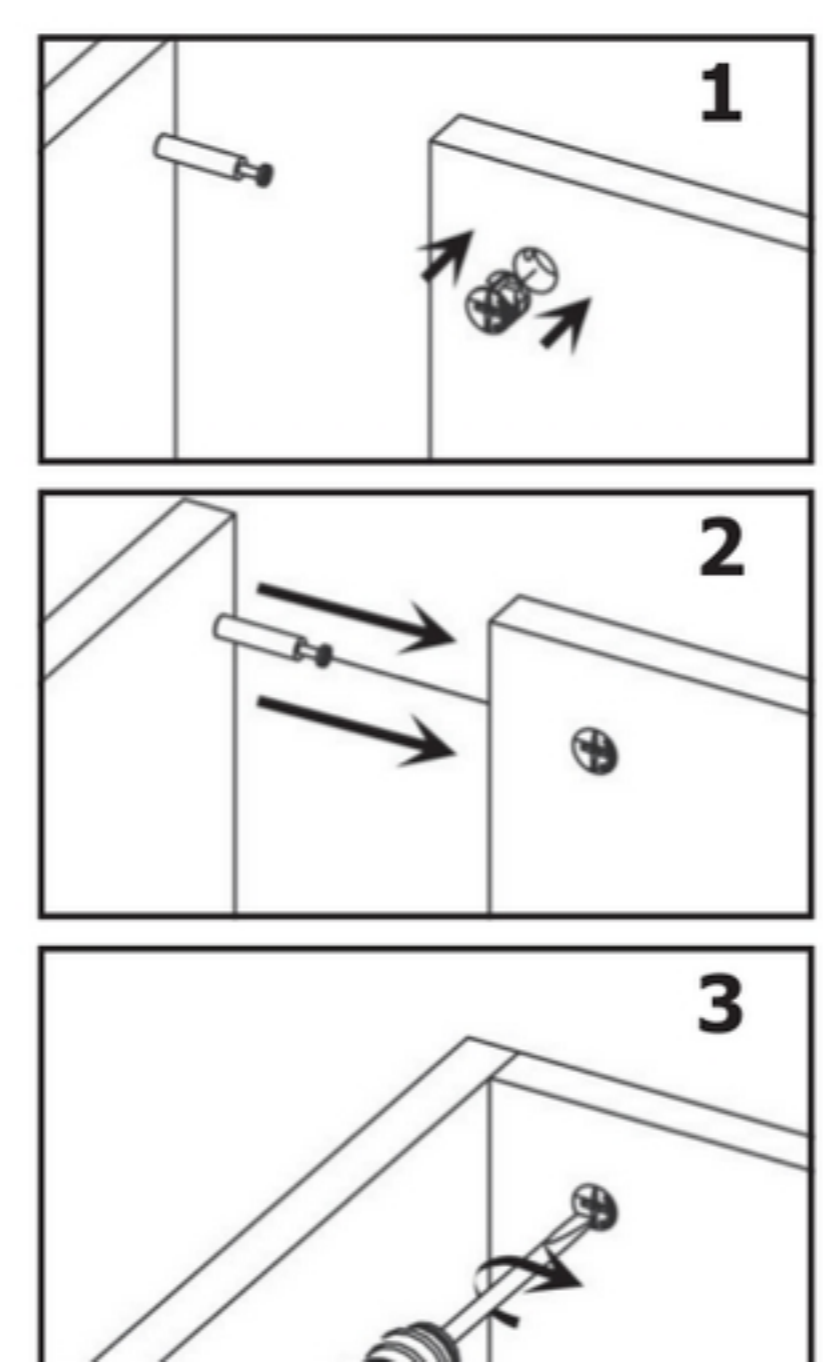


4

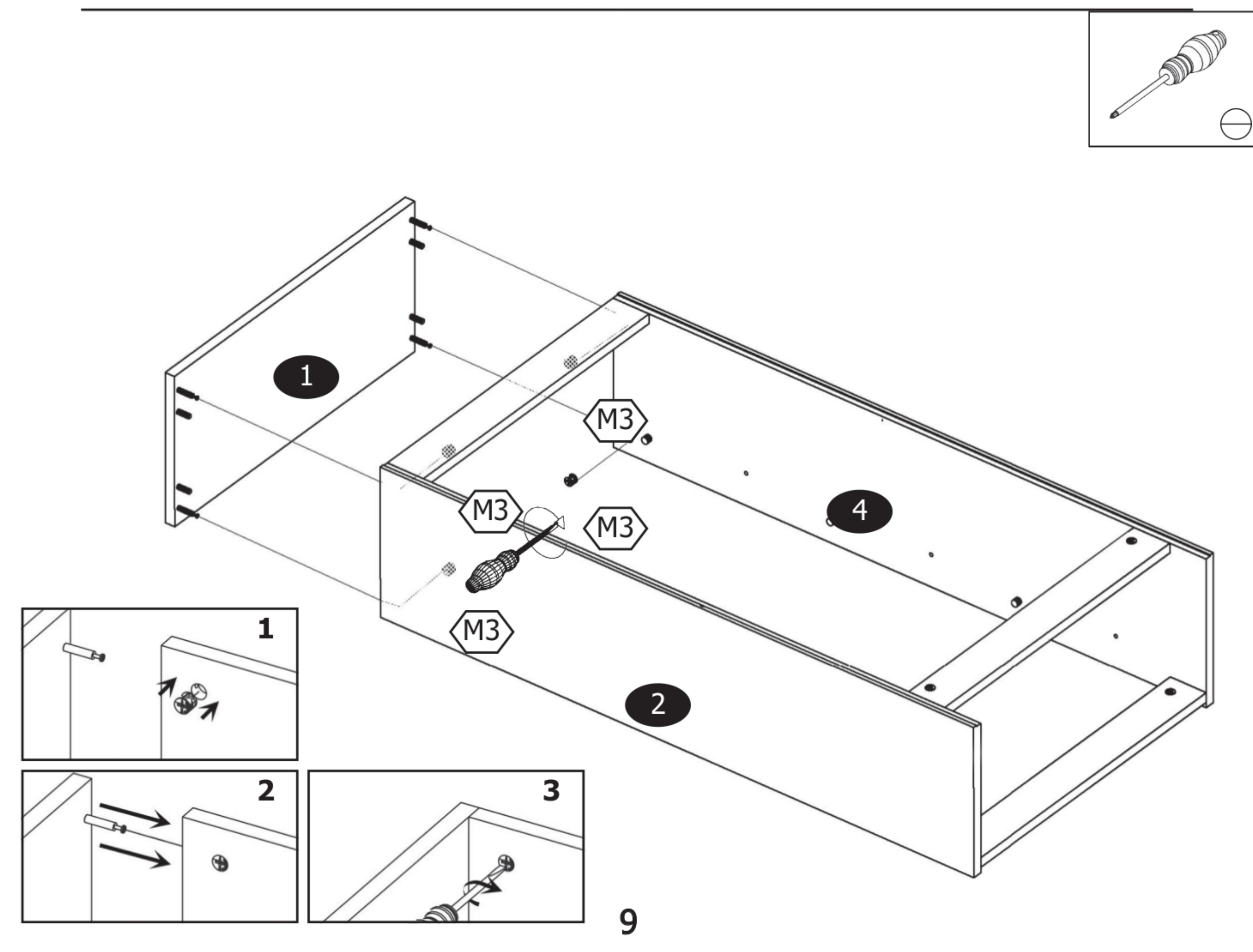
6

3

2



8



1

4

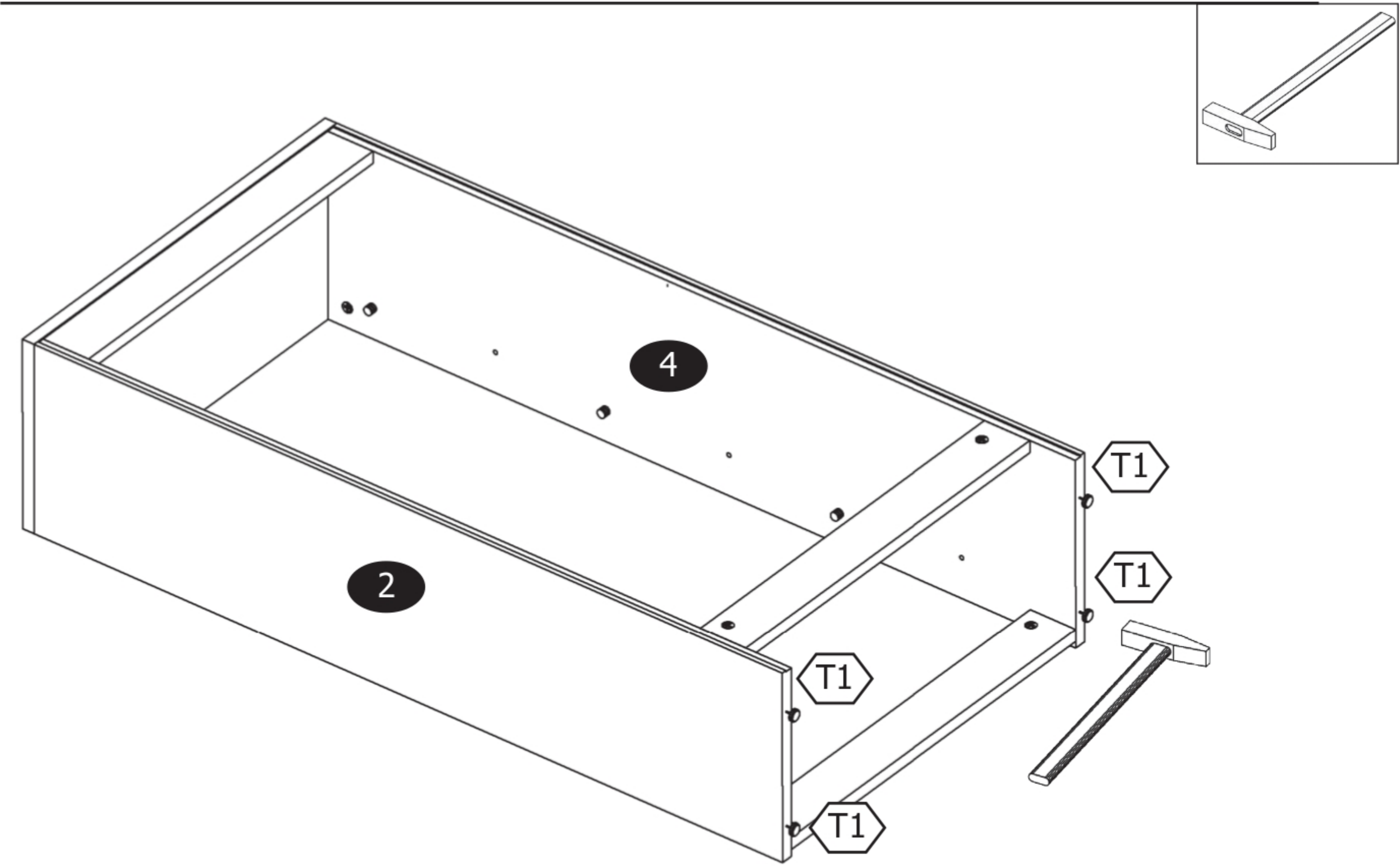
2

1

2

3

9



4

2

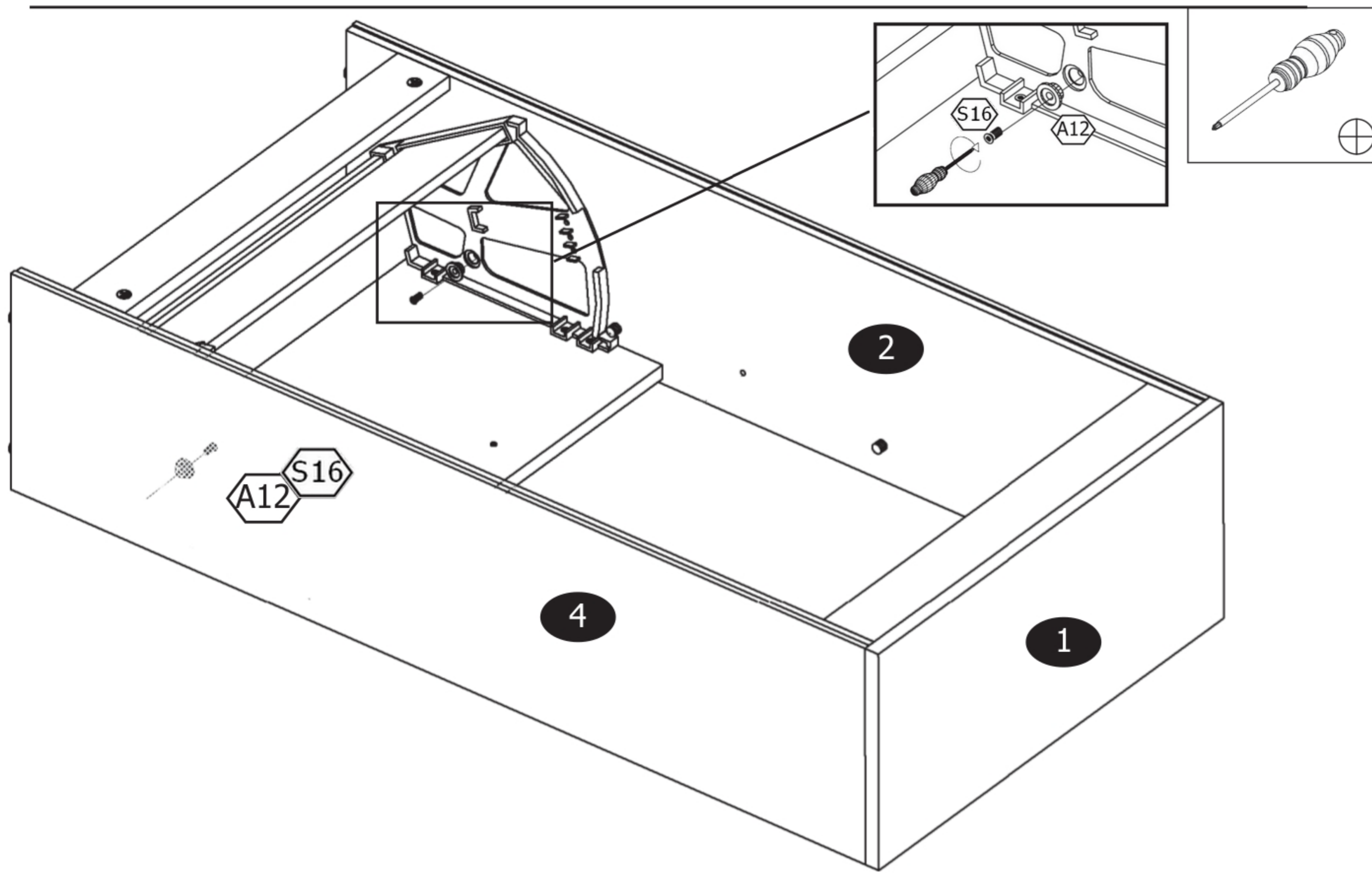
T1

T1

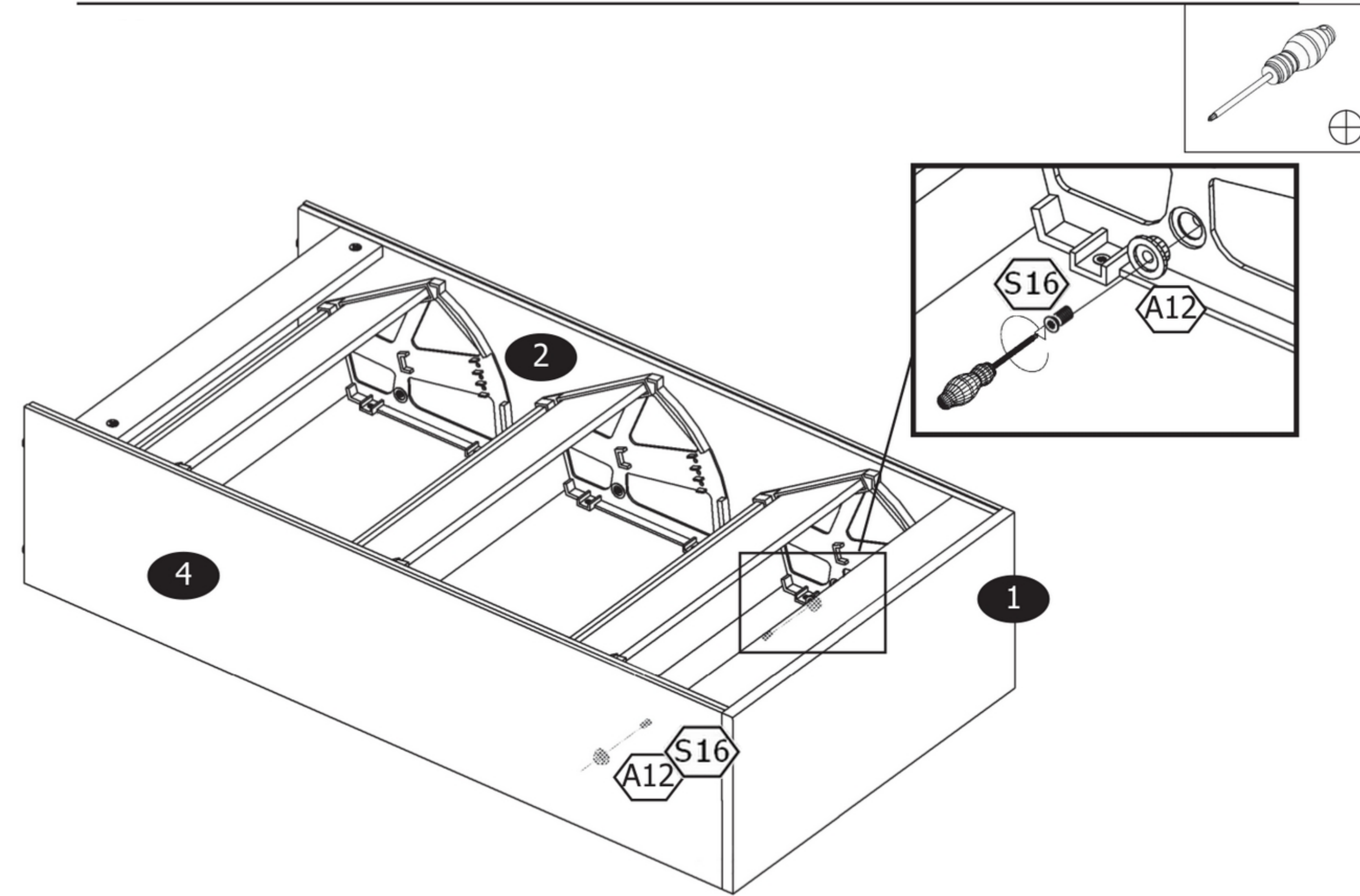
T1

T1

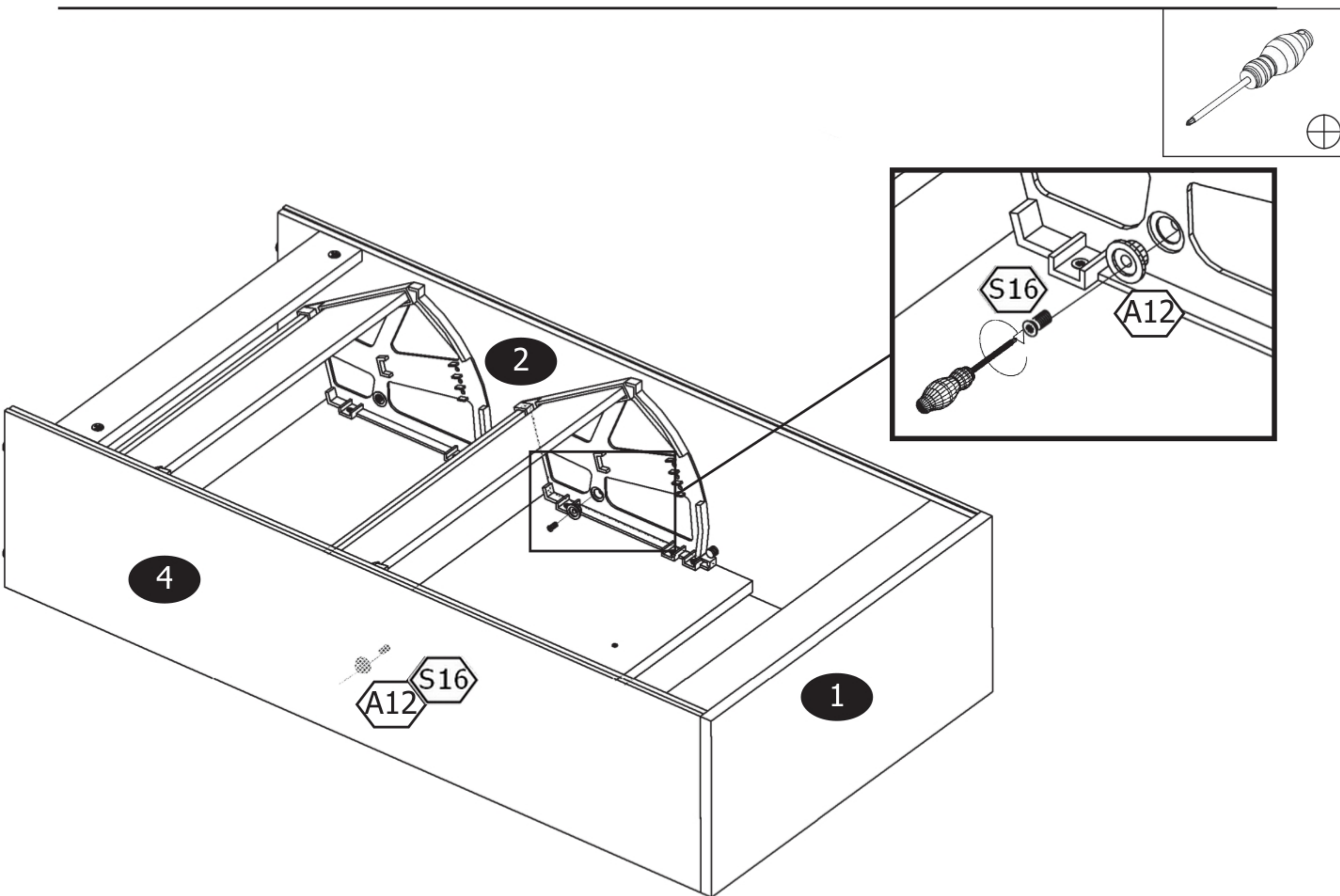
10



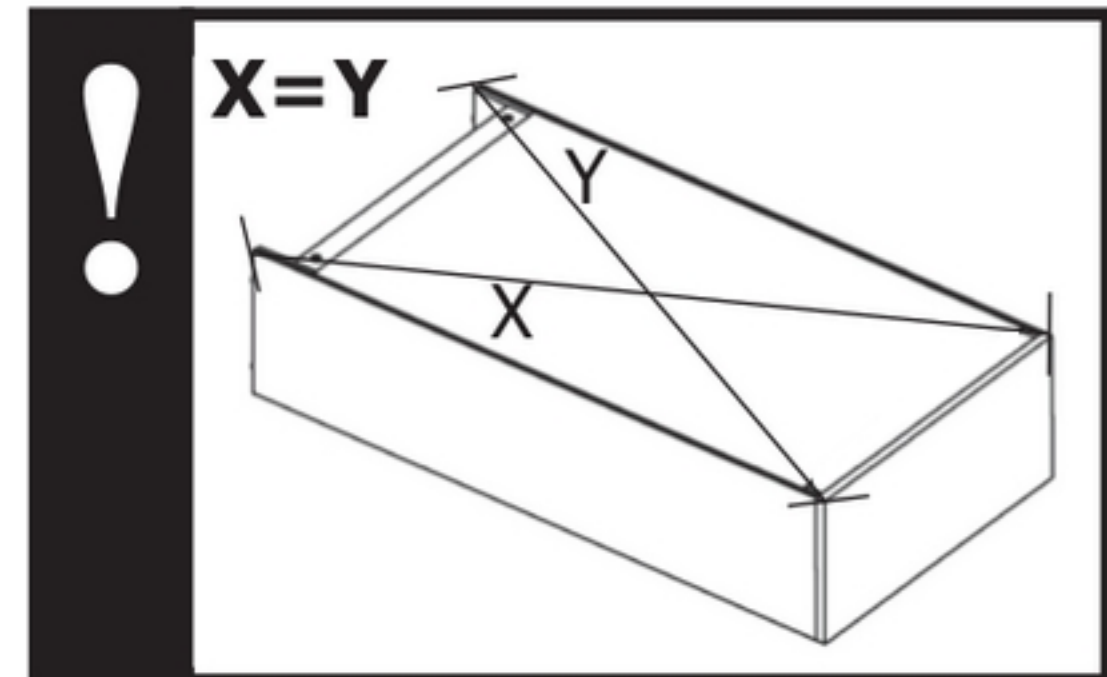
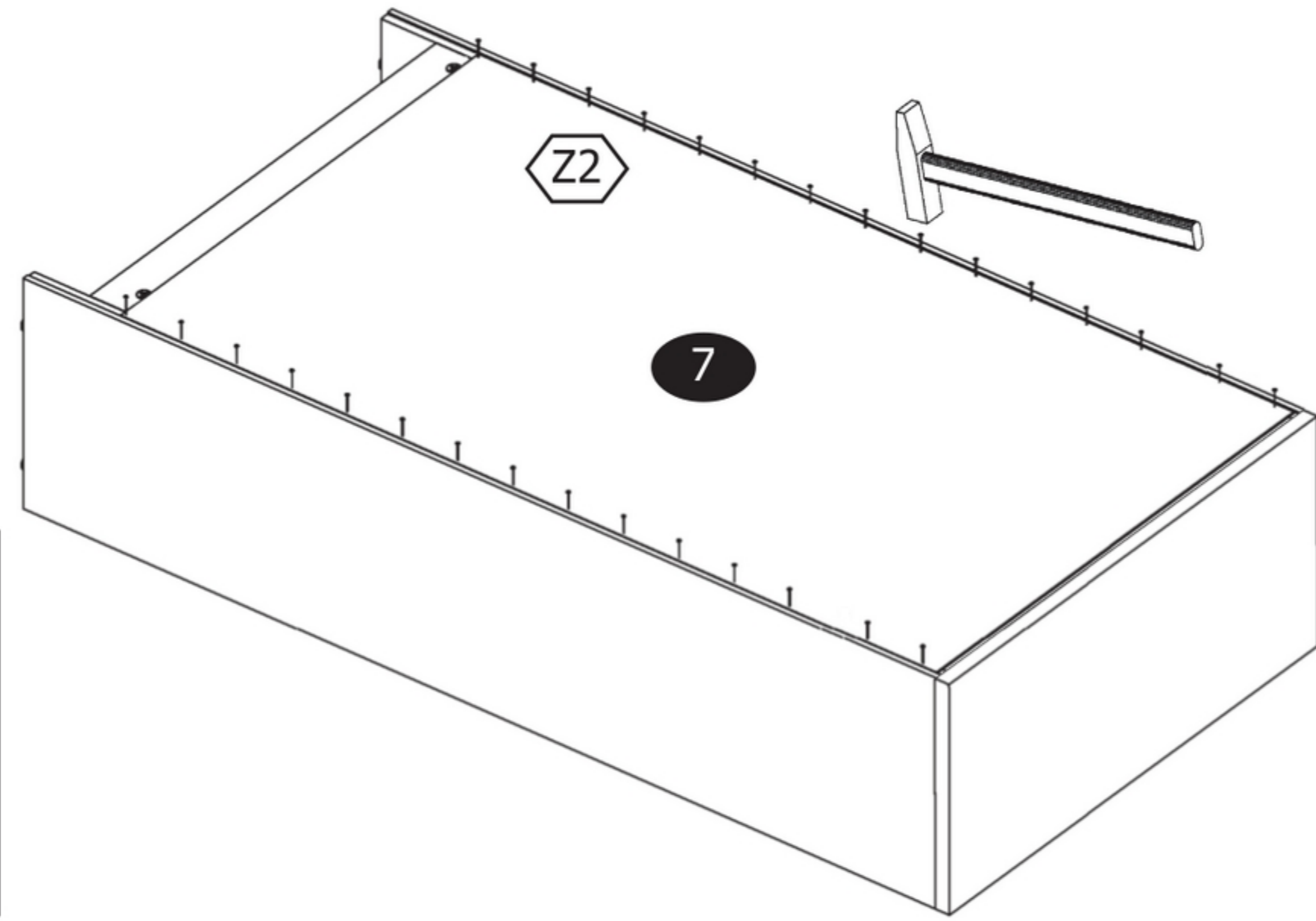
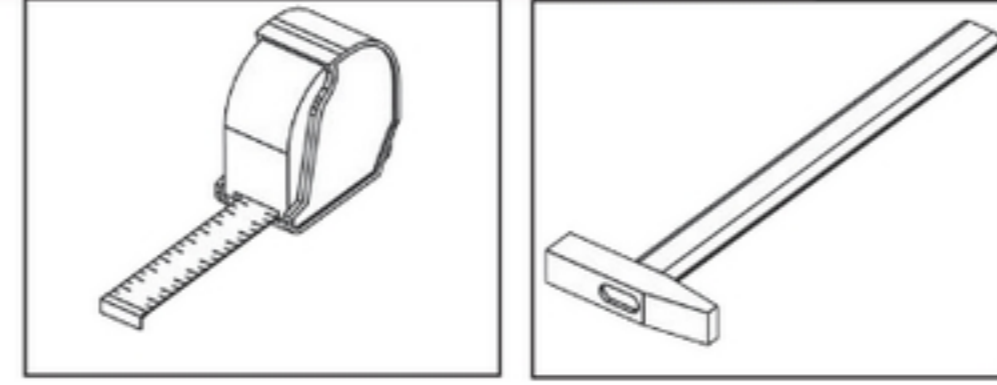
12



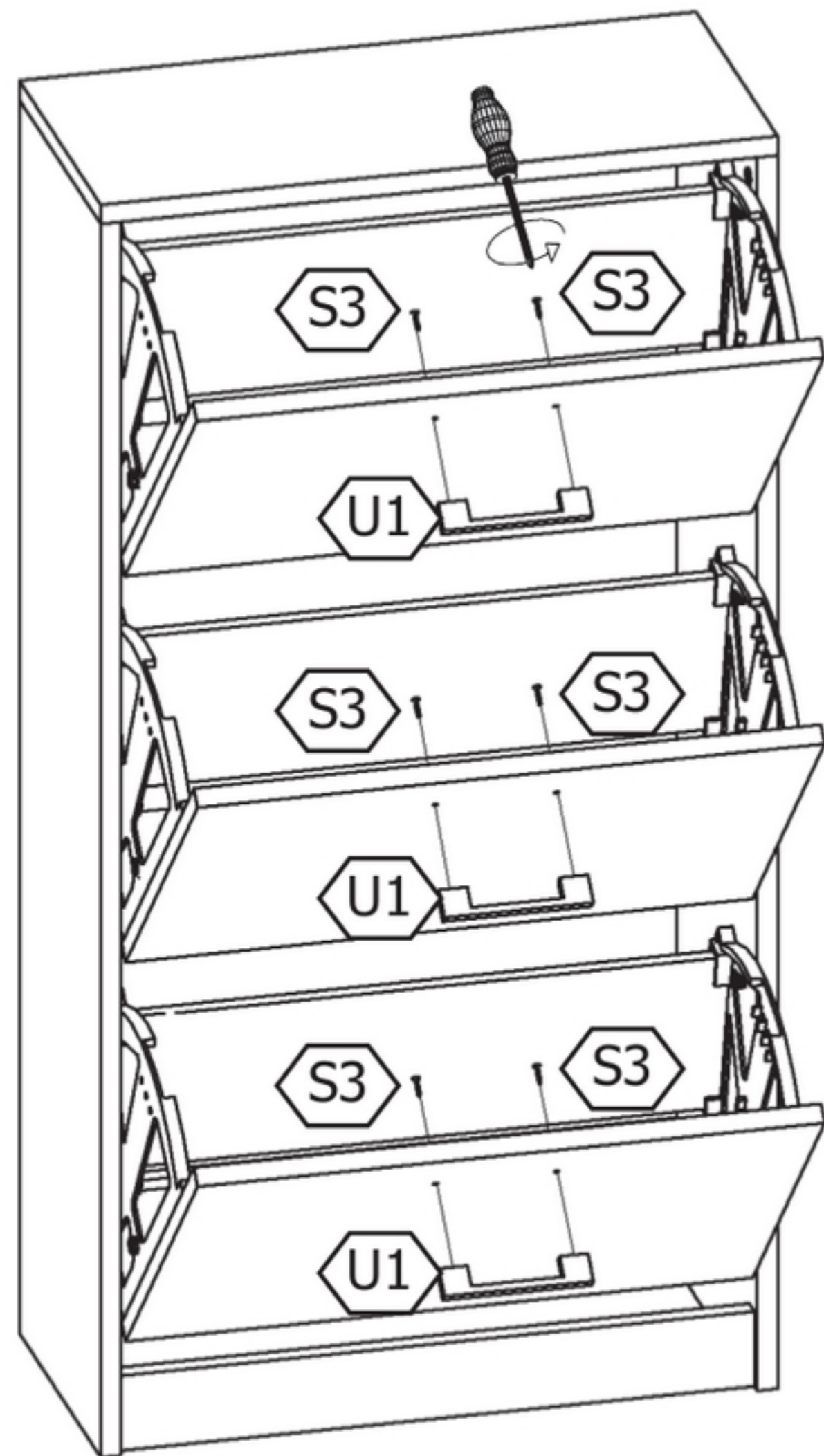
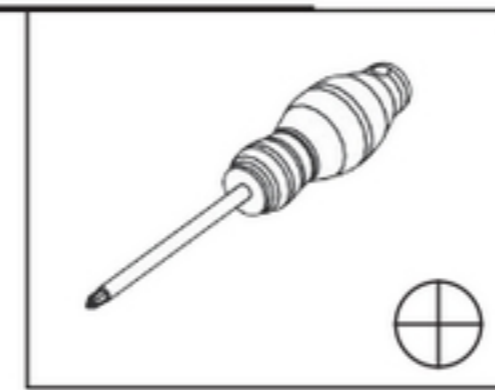
11



13



14



15

