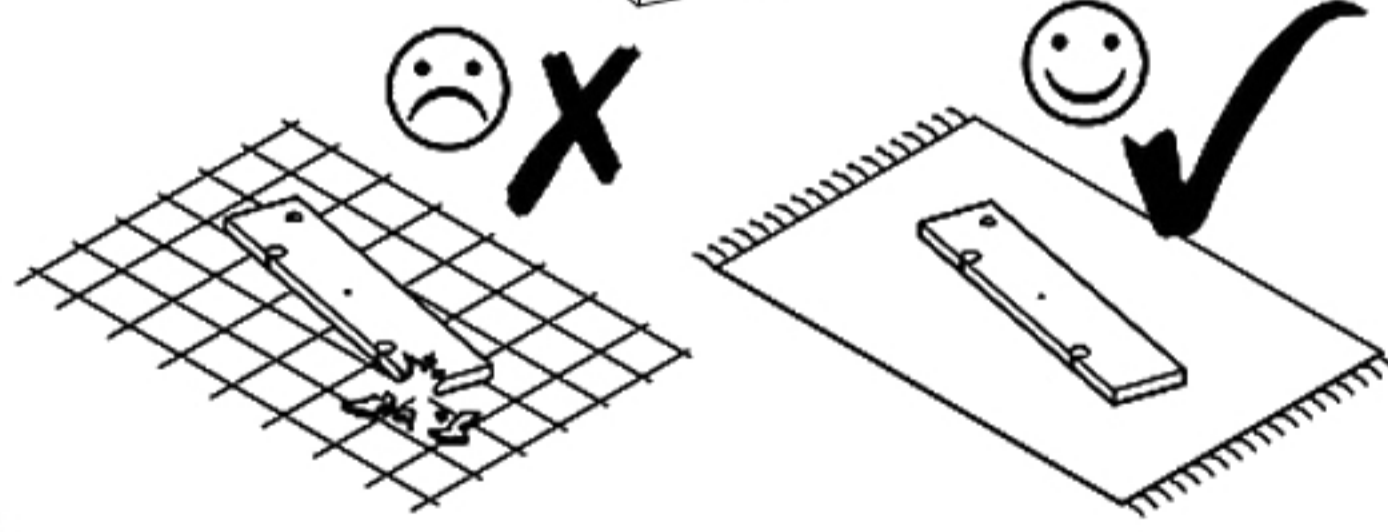
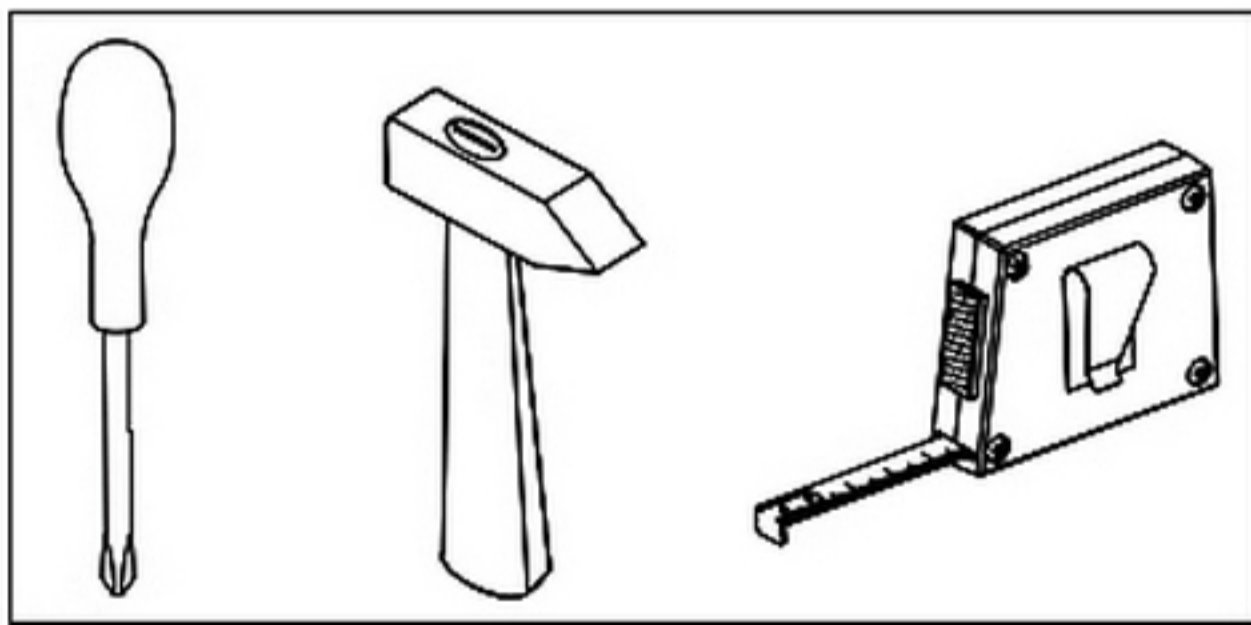
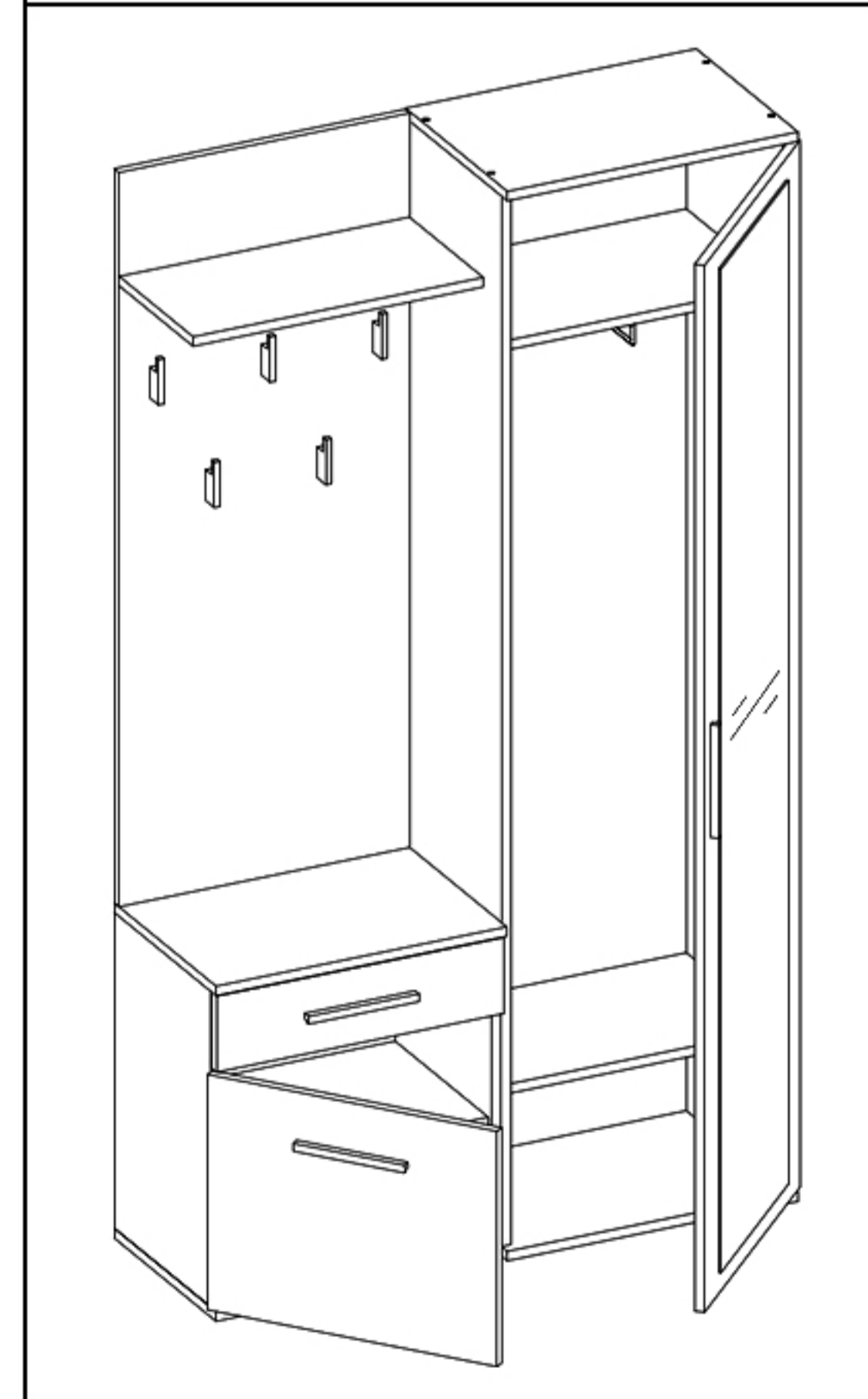
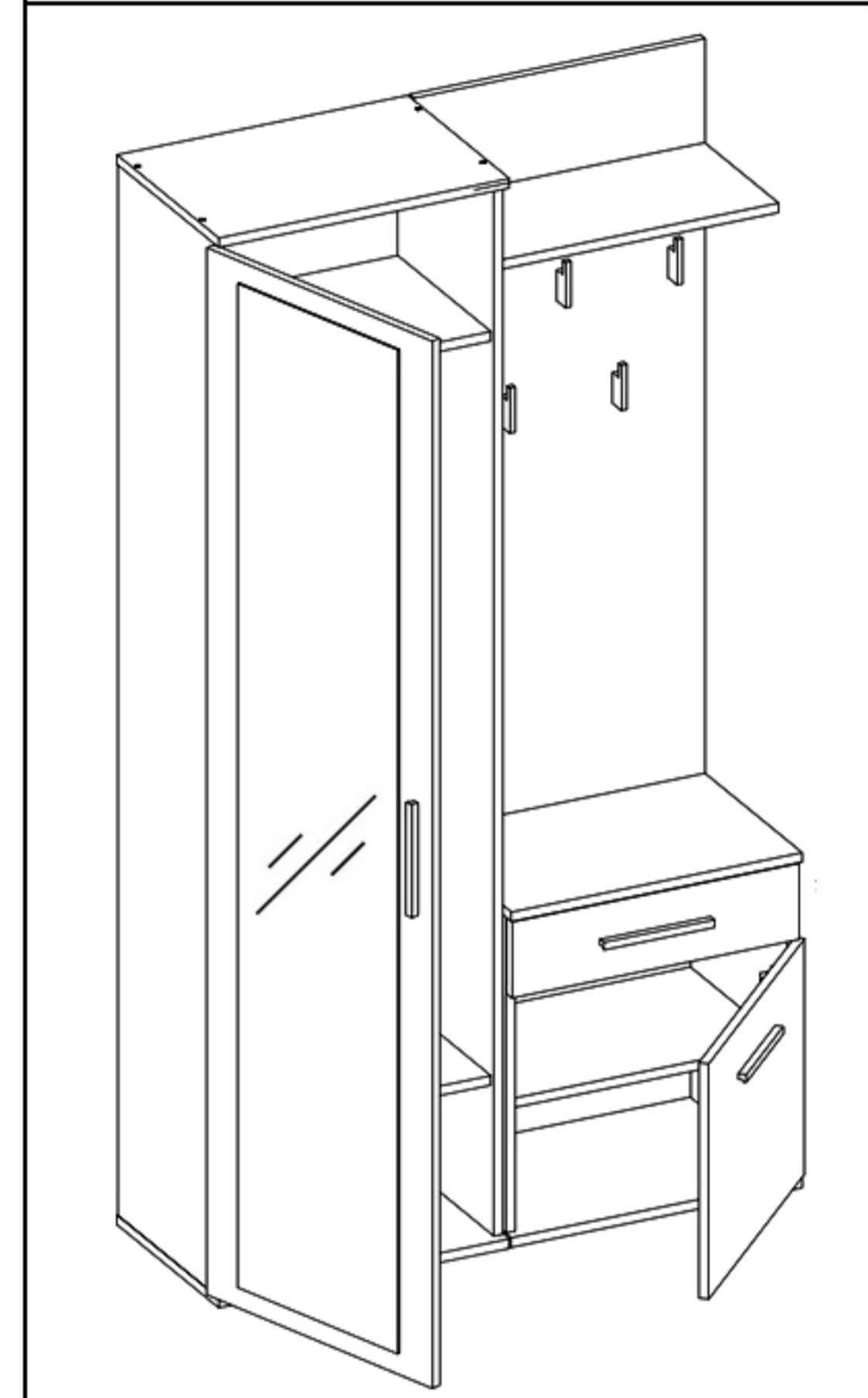
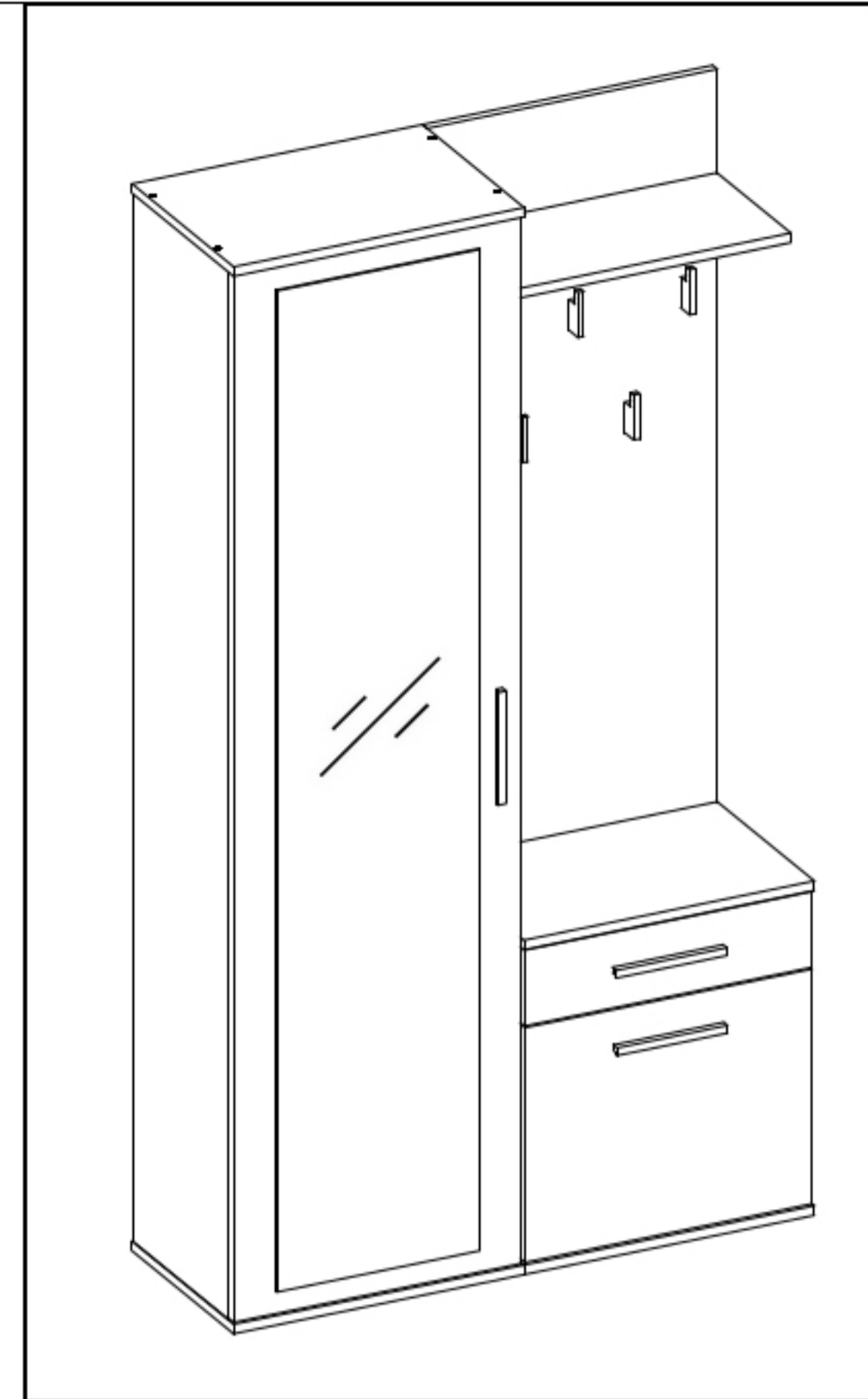
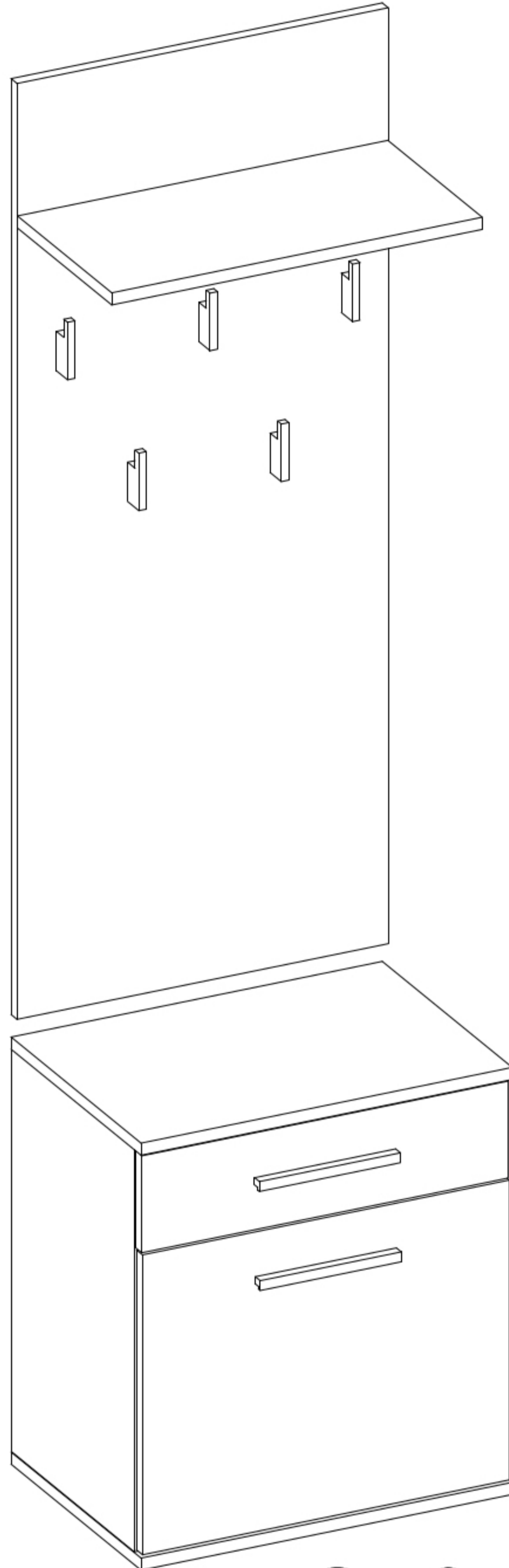
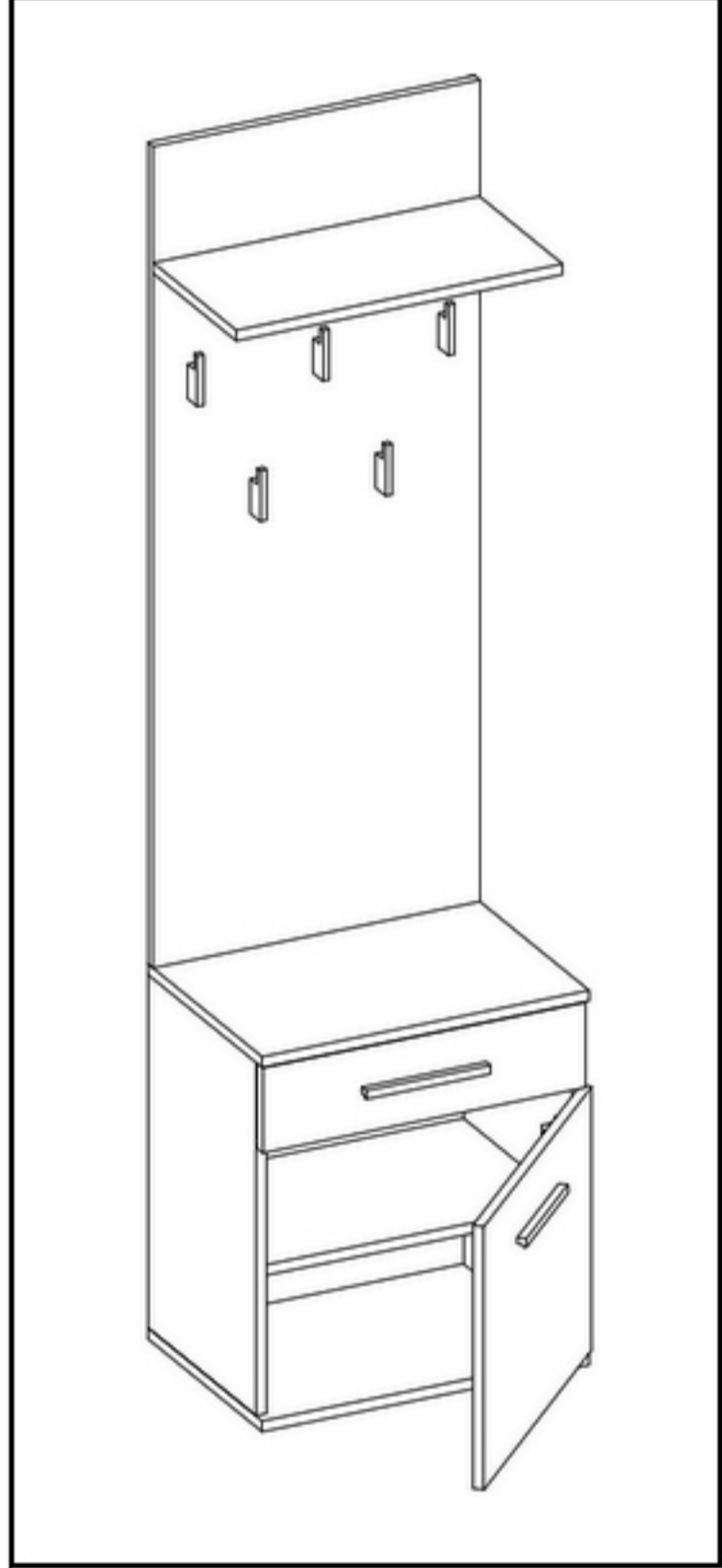
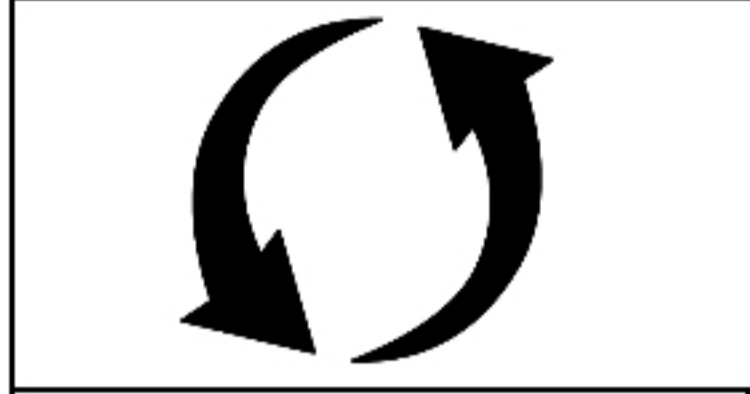
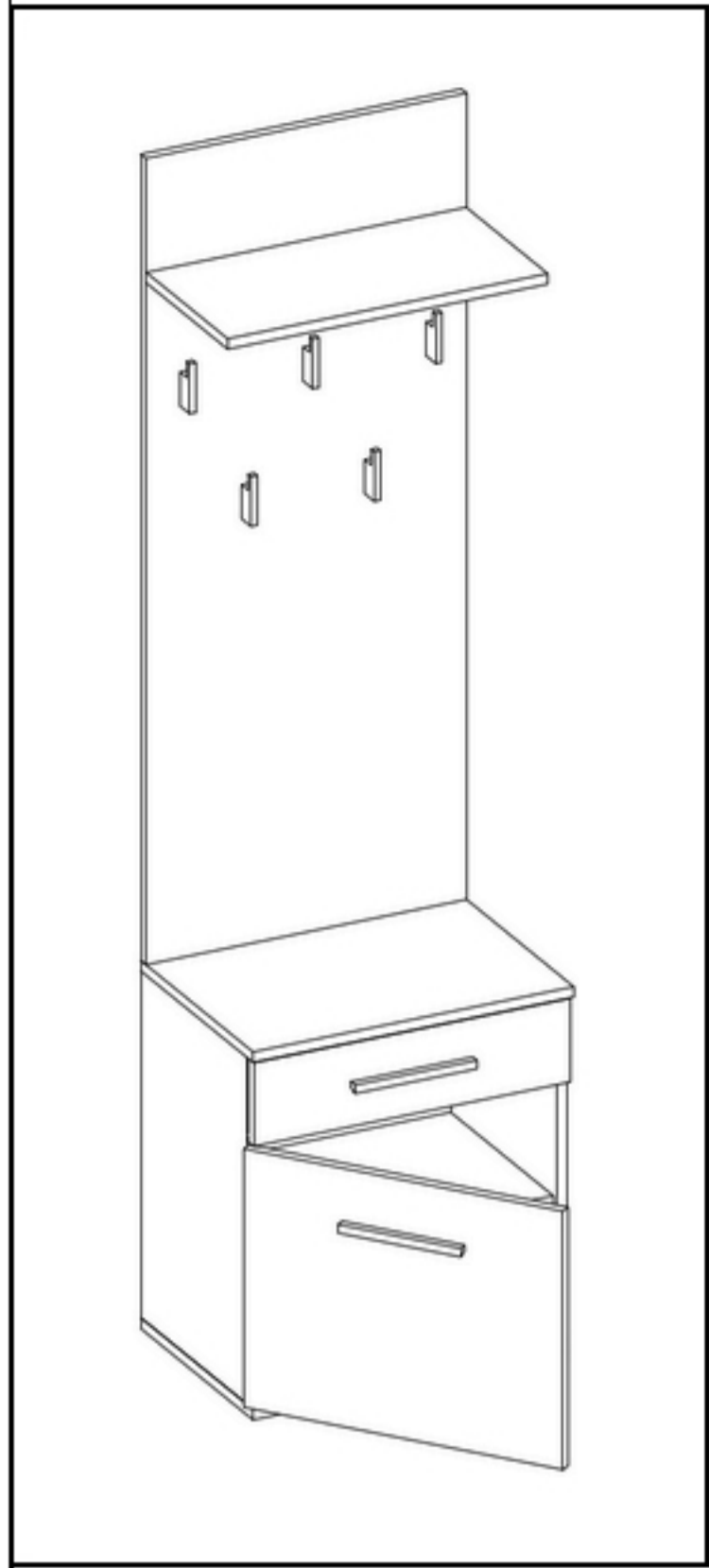
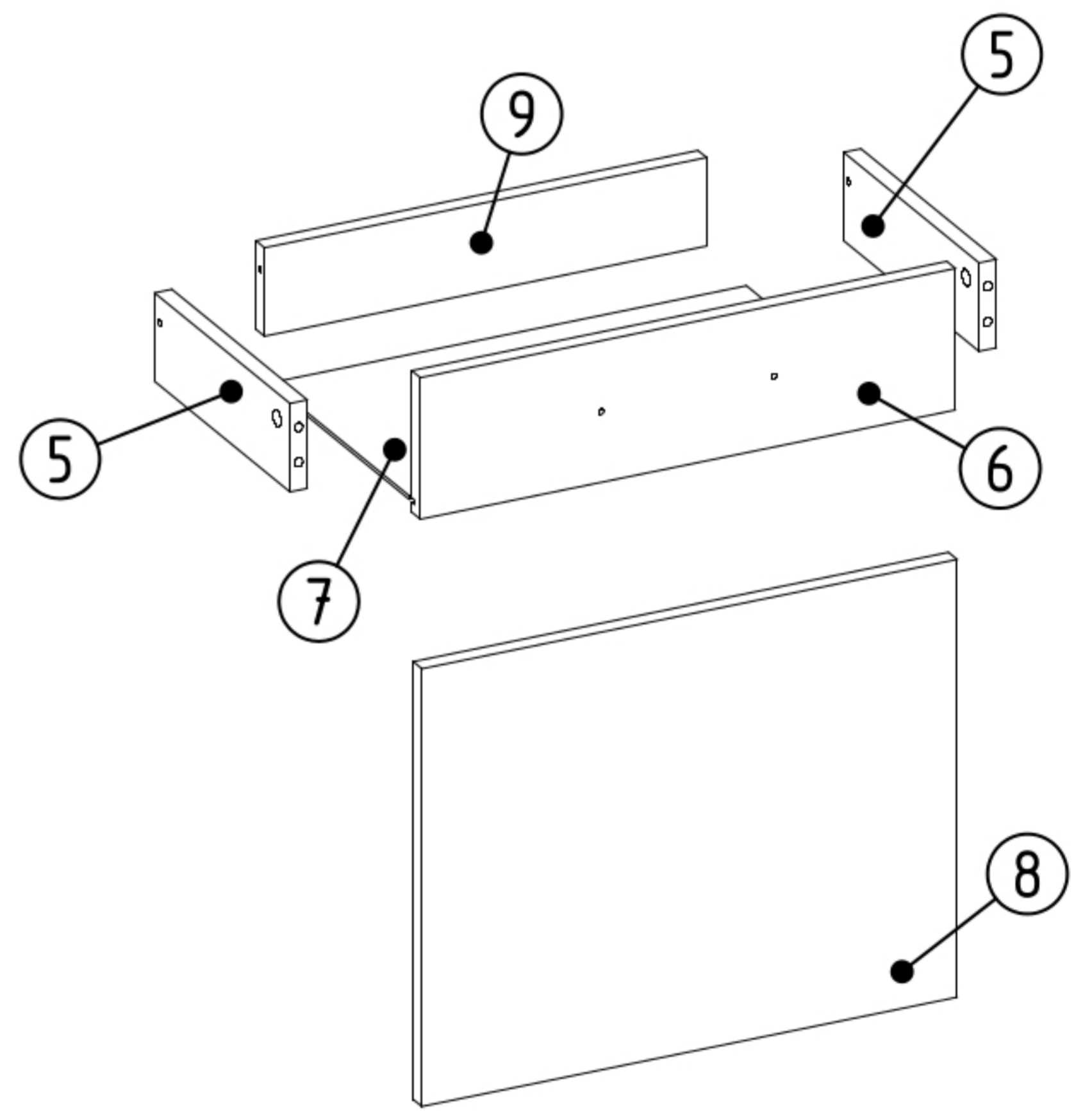
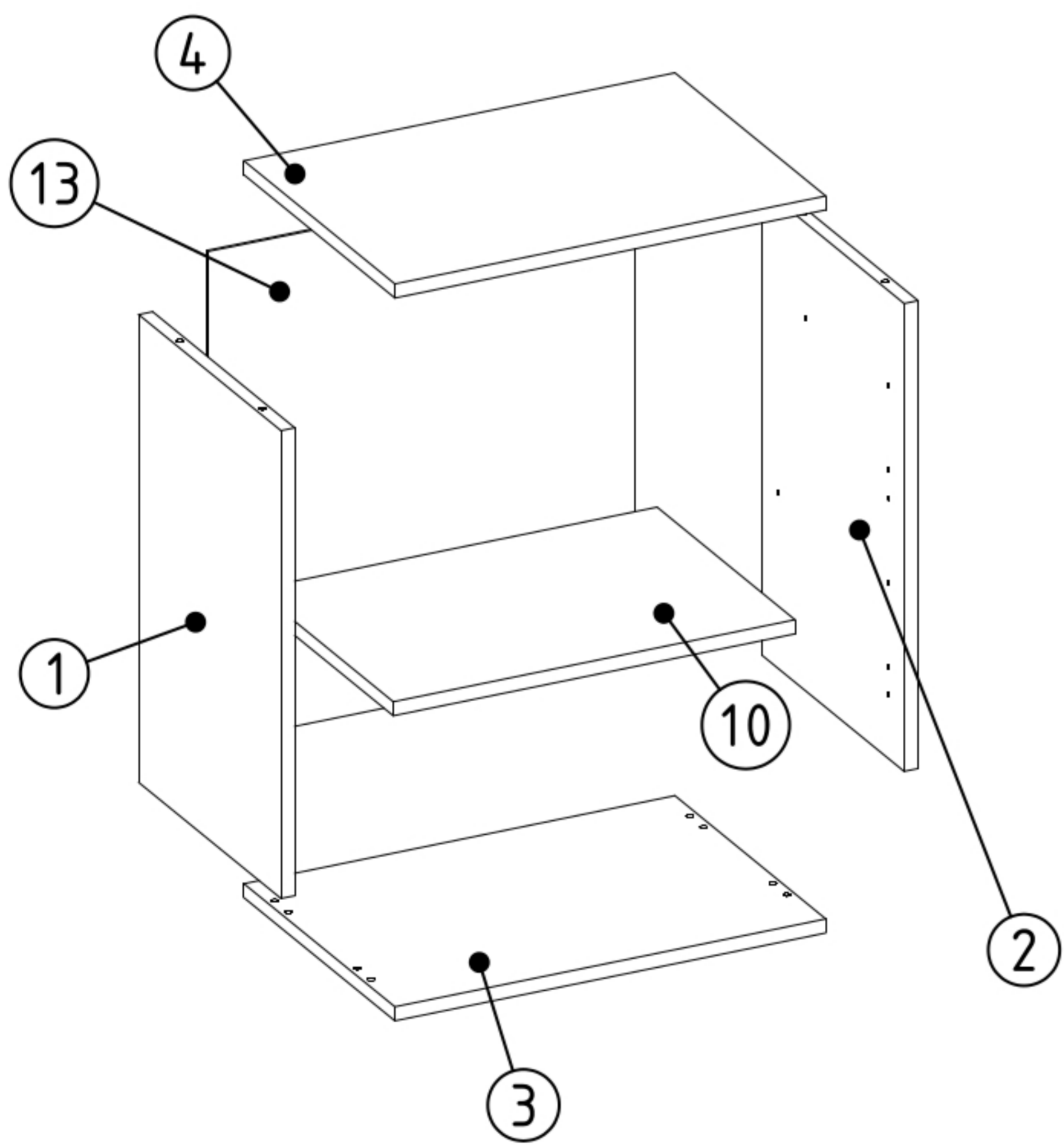
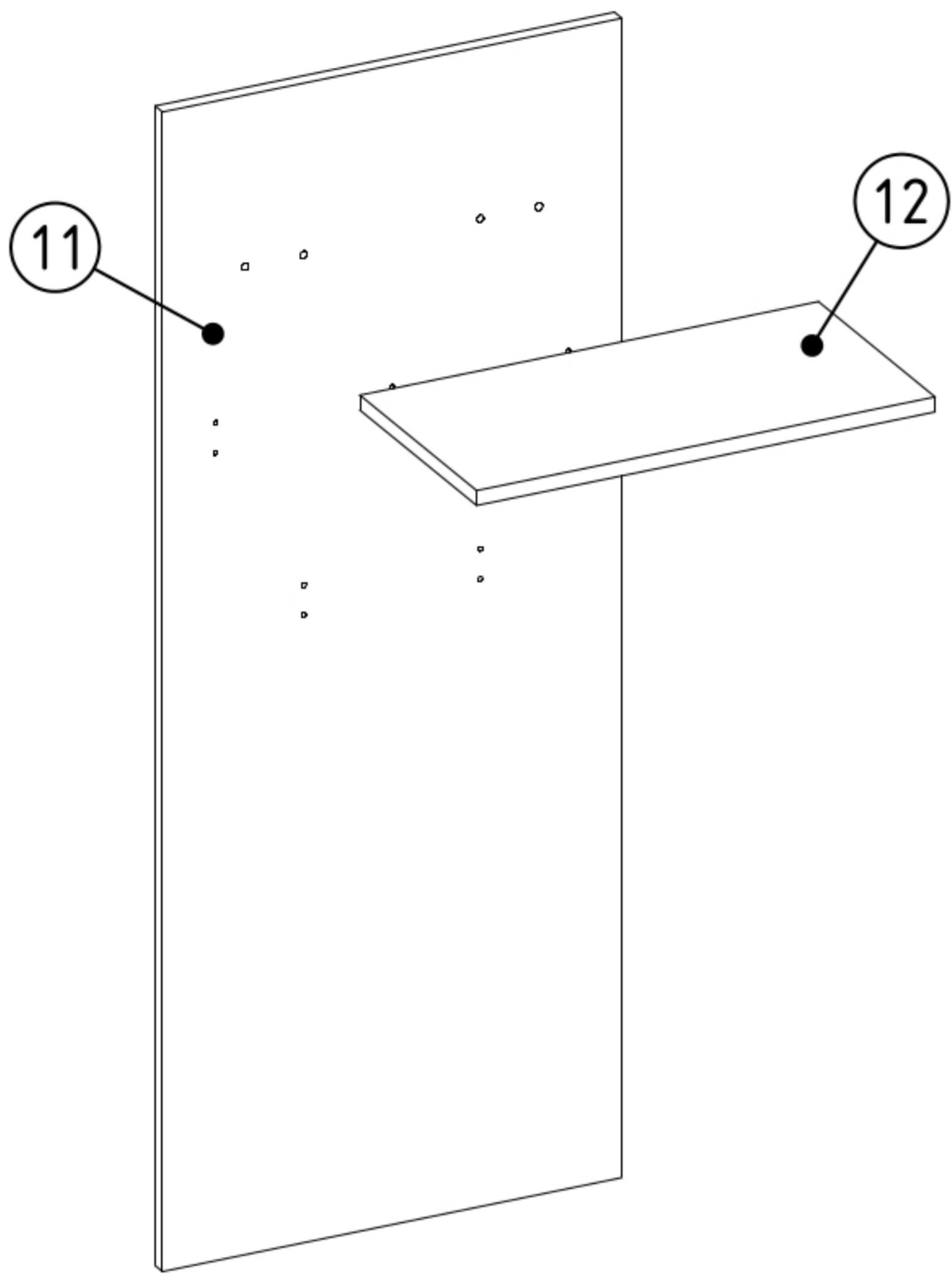


03/03/2022

DUO C2







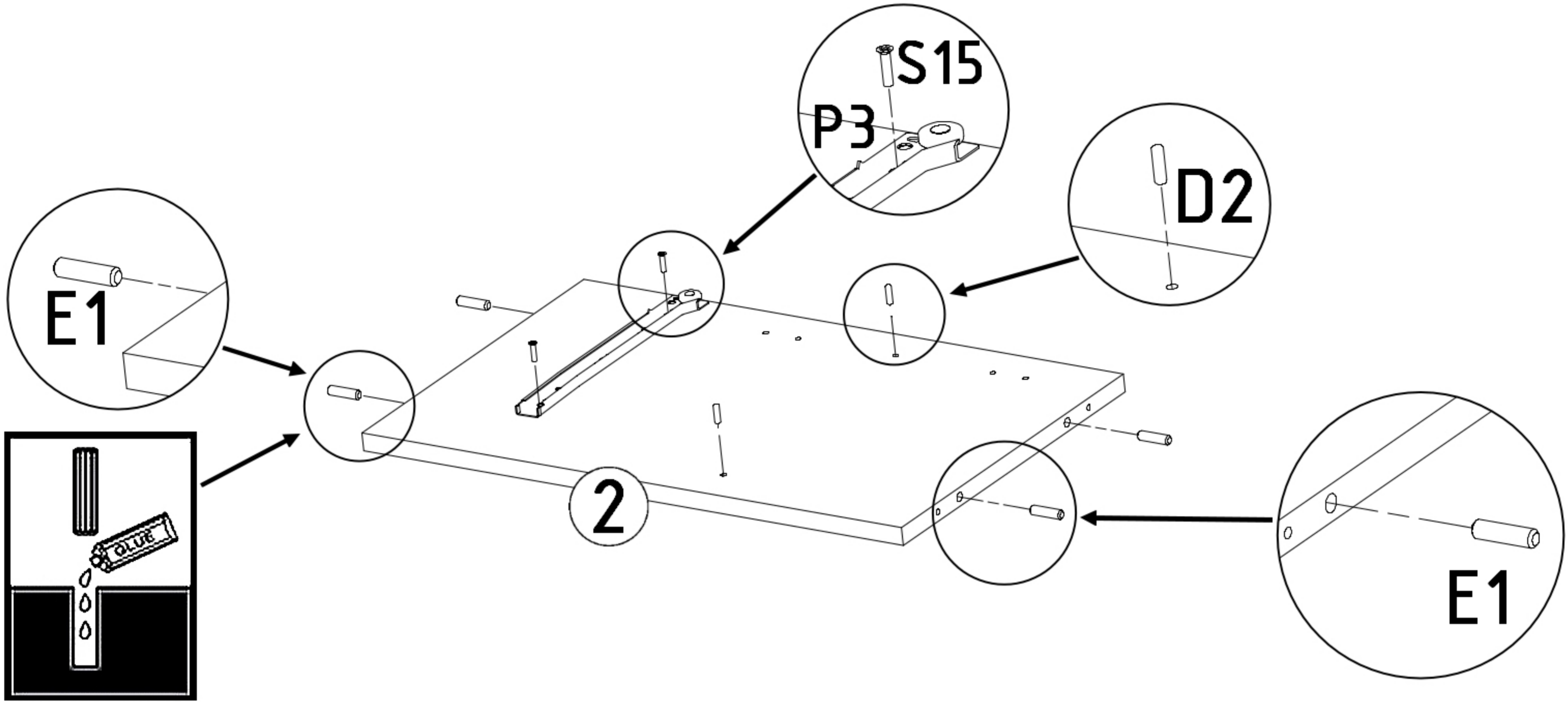
P3 L=250mm x 1	K1 x 1	S15 6x8mm x 8	U6 L=190mm x 2	L7 L=75mm x 5	M3 12x15mm x 2	E4 L=43mm x 2	S1 3,5x16mm x 8	E1 8x30mm x 10	D2 L=16mm x 4	S3 4x27mm x 14
T1 x 4	Z2 x 30	A0 ZP x 2	N2 L=35mm x 2	M2 ø16mm x 2	F2 7x50mm x 8	D12 ø34mm x 2				







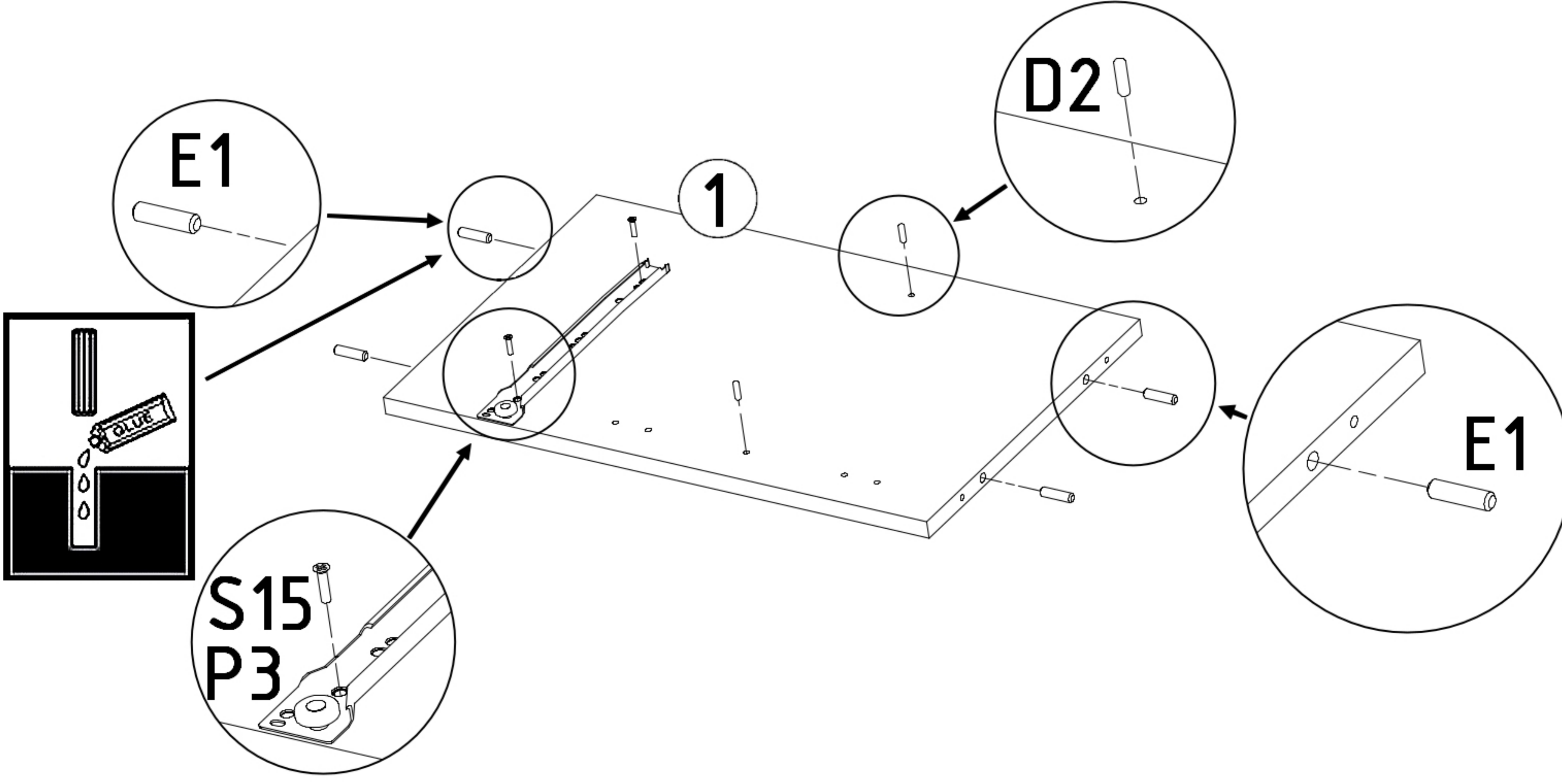
1	x	1
2	x	1
3	x	1
4	x	1
5	x	2
6	x	1


7	x	1
8	x	1
9	x	1
10	x	1
11	x	1
12	x	1
13	x	1

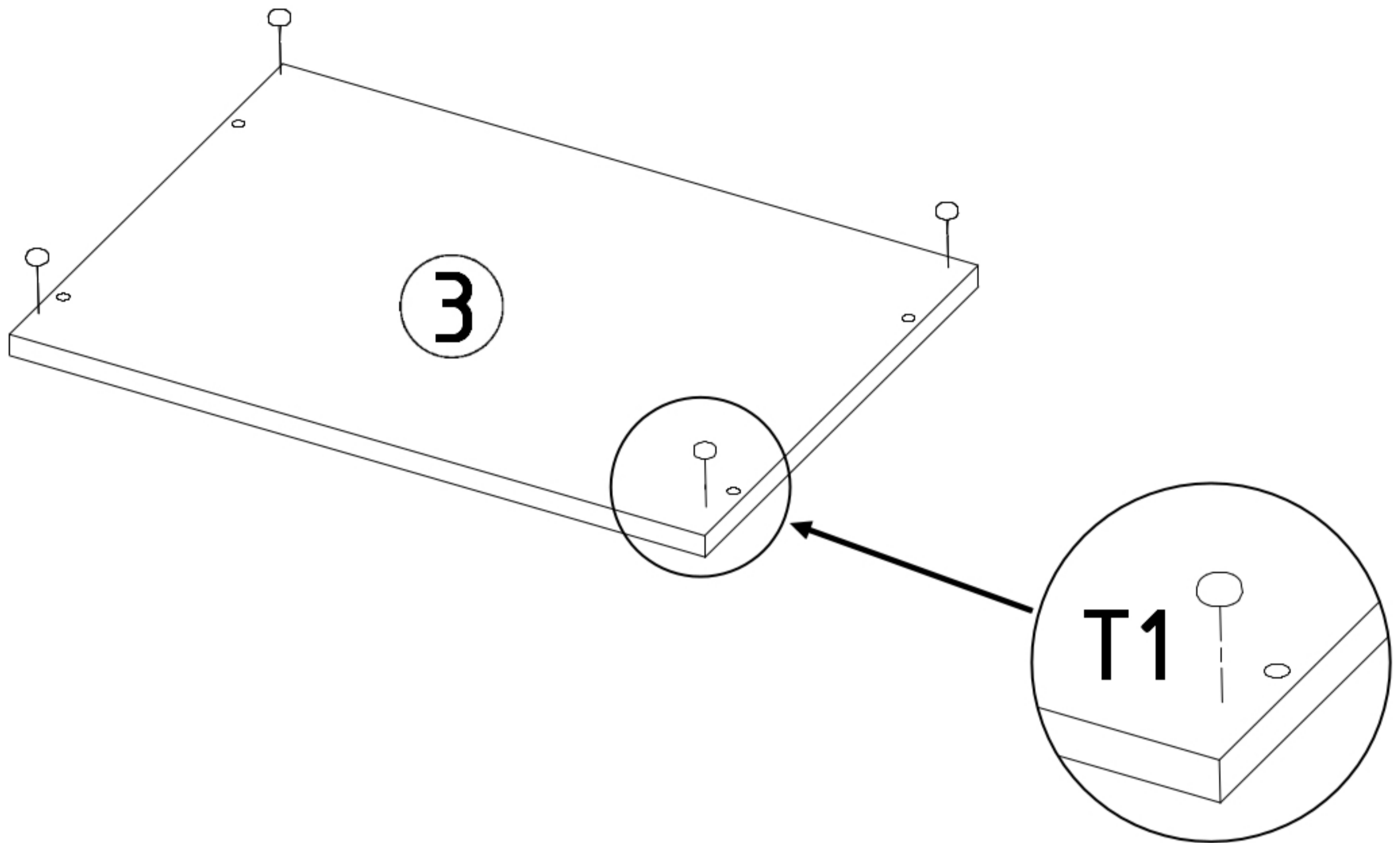
	D2		P3		S15		E1
	x 2	L=250	x 1	6x8	x 2	8x30	x 4




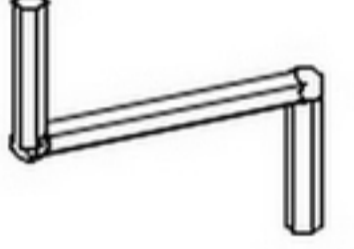
	D2		P3		S15		E1
x 1	x 2	L=250	x 1	6x8	x 2	8x30	x 4




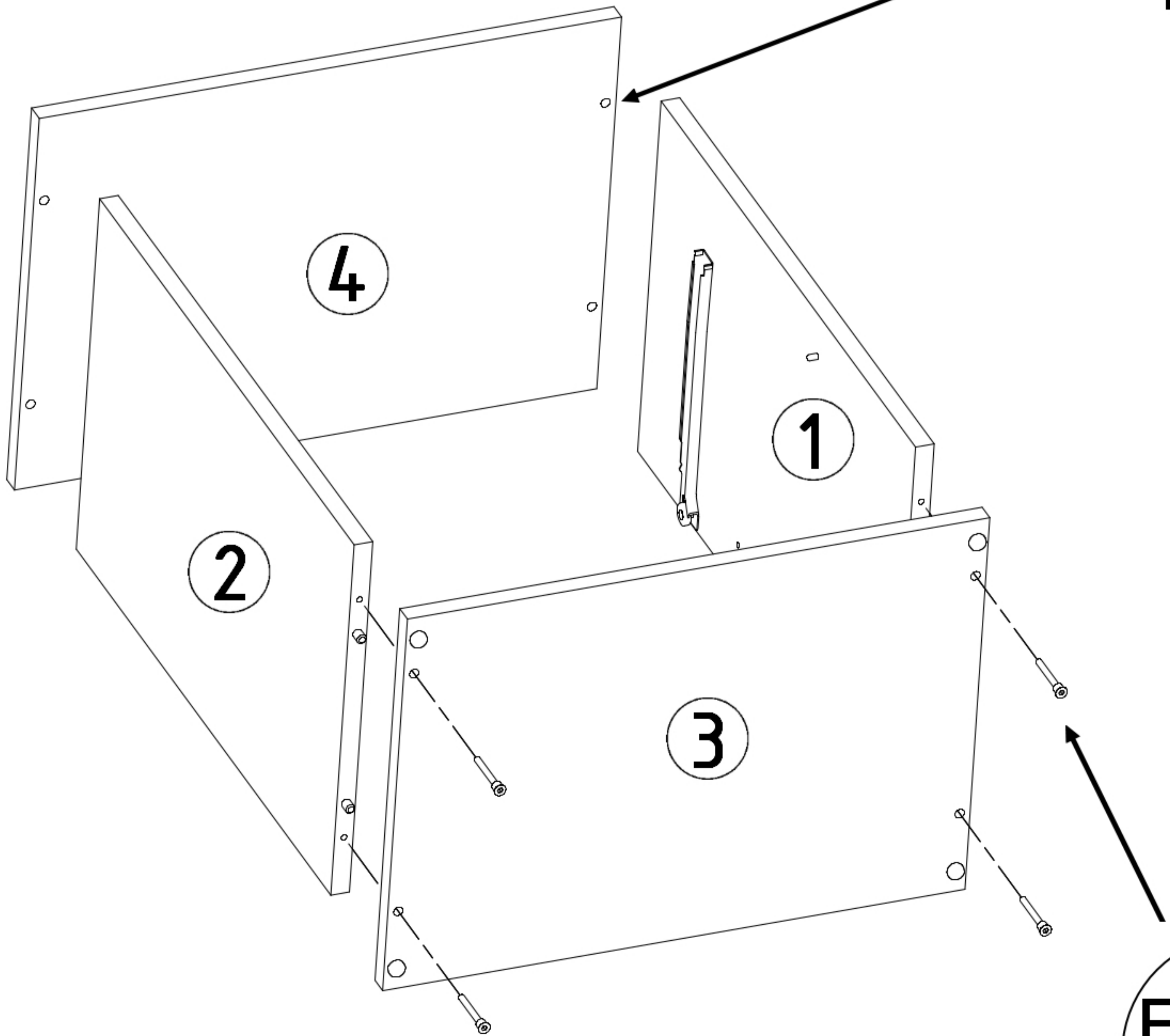
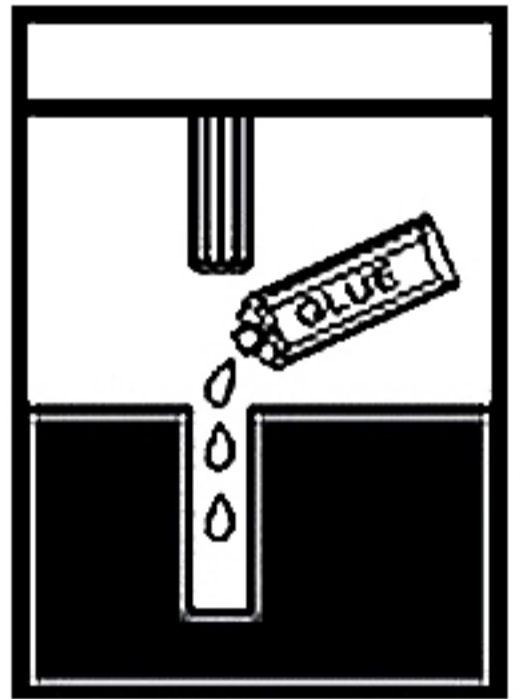
T1

x 4



F2

x 4

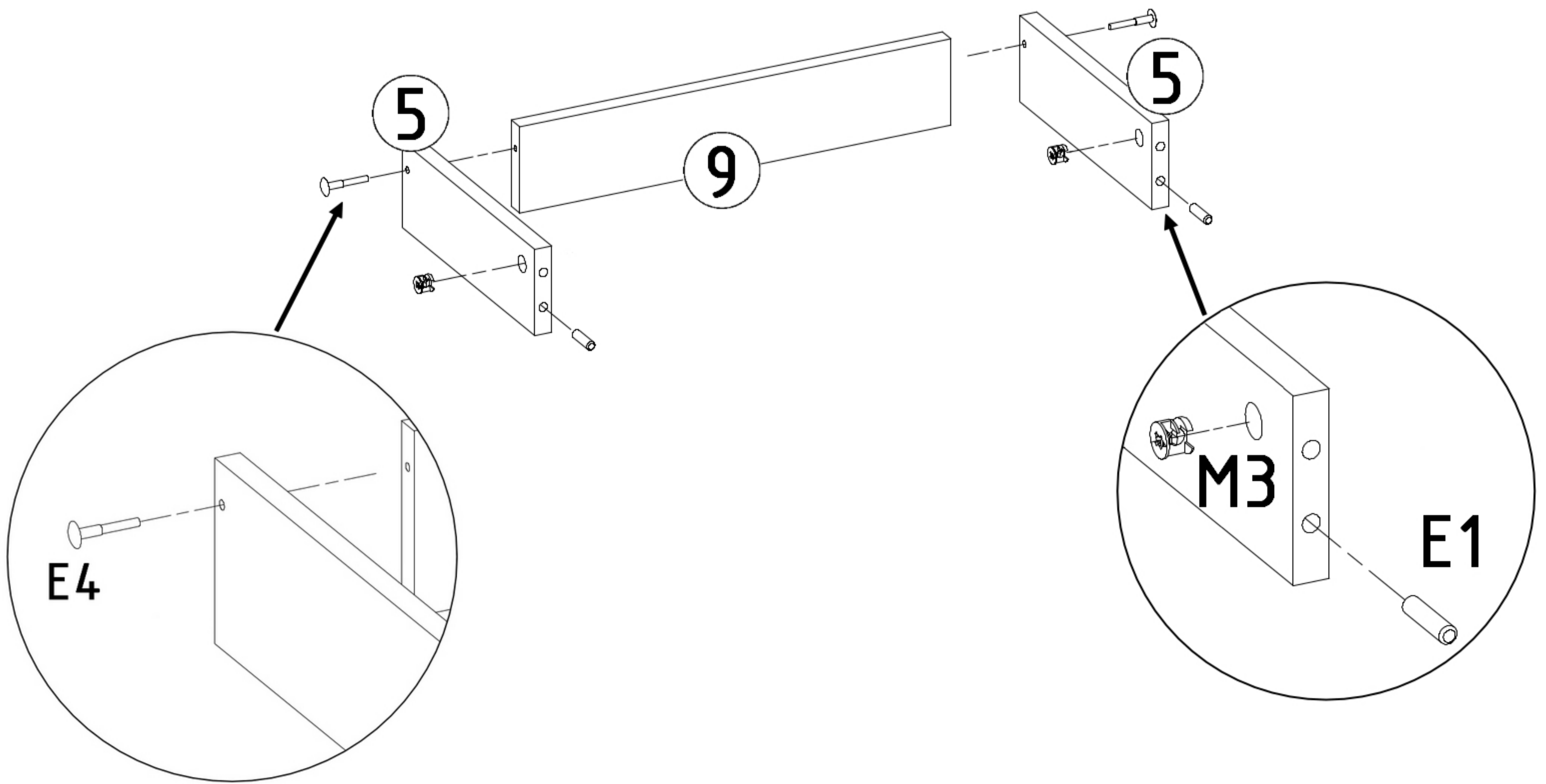
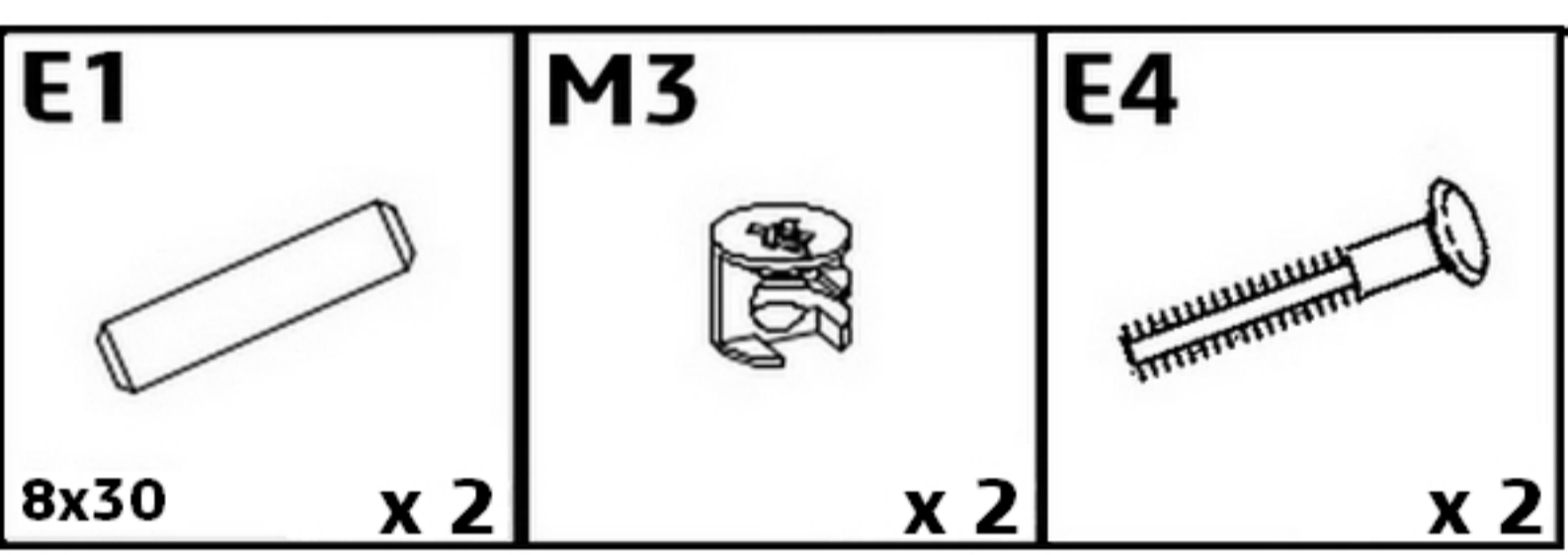
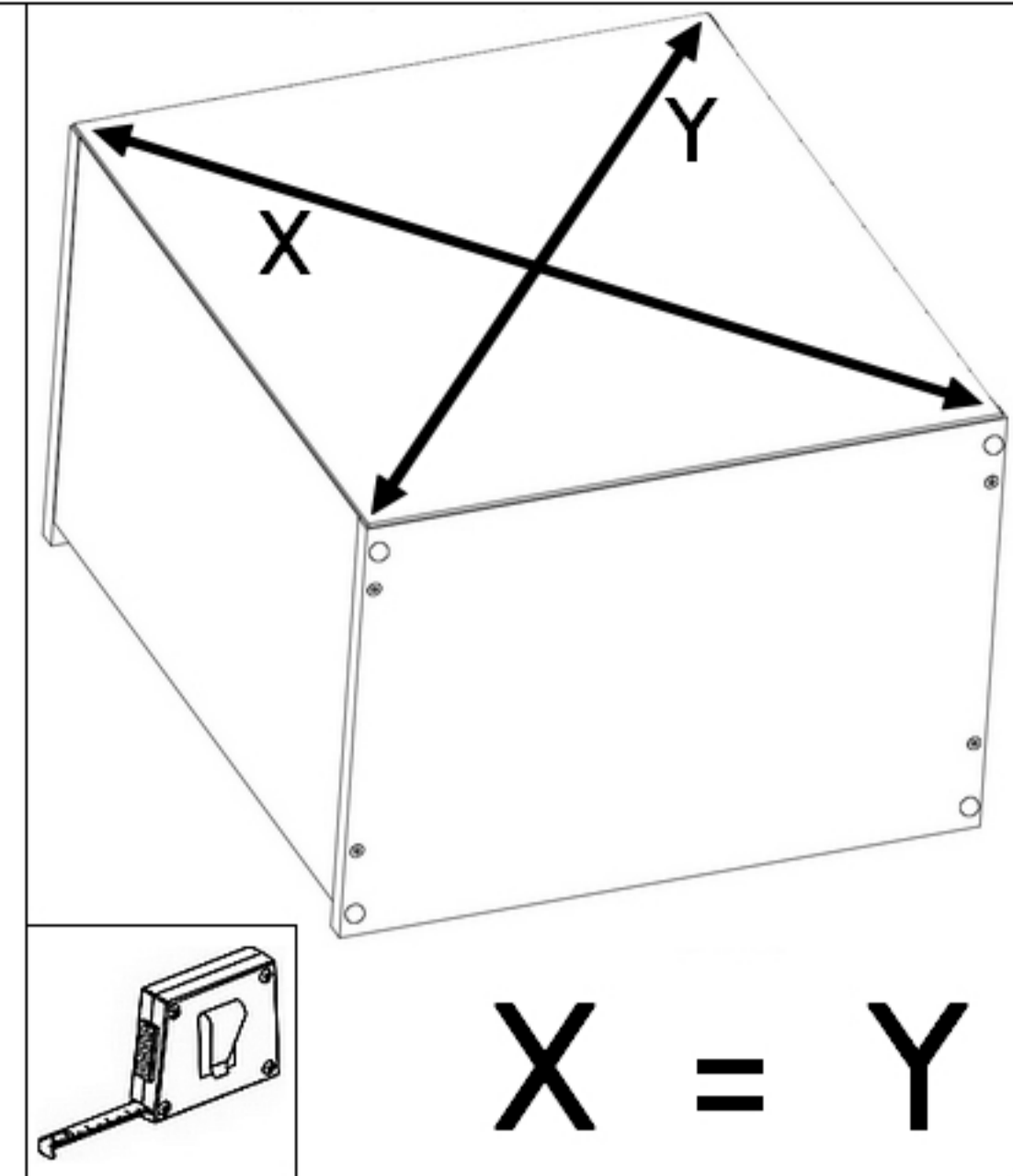
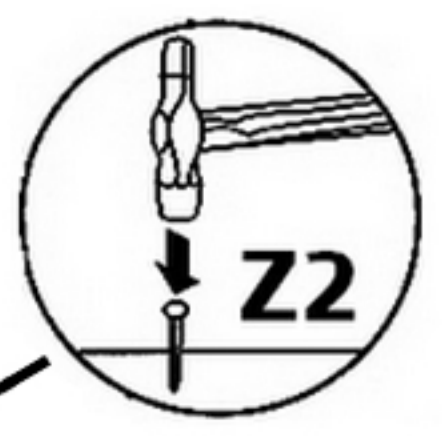
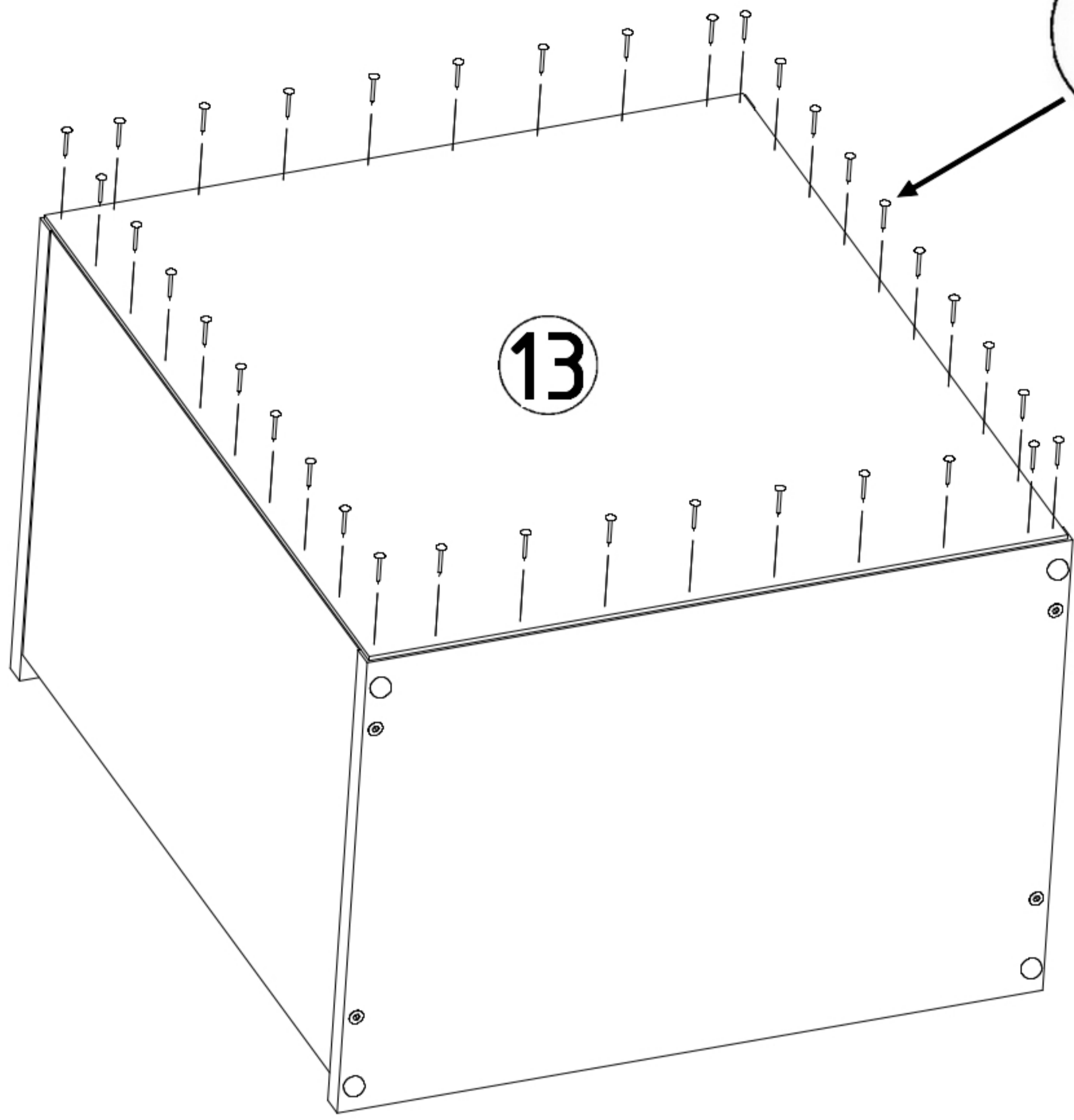
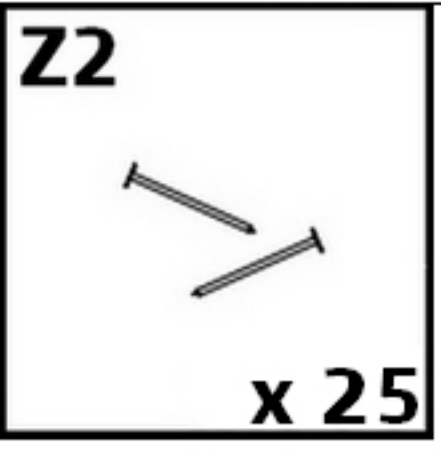
K1

x 1


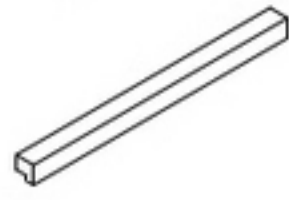

GLUE


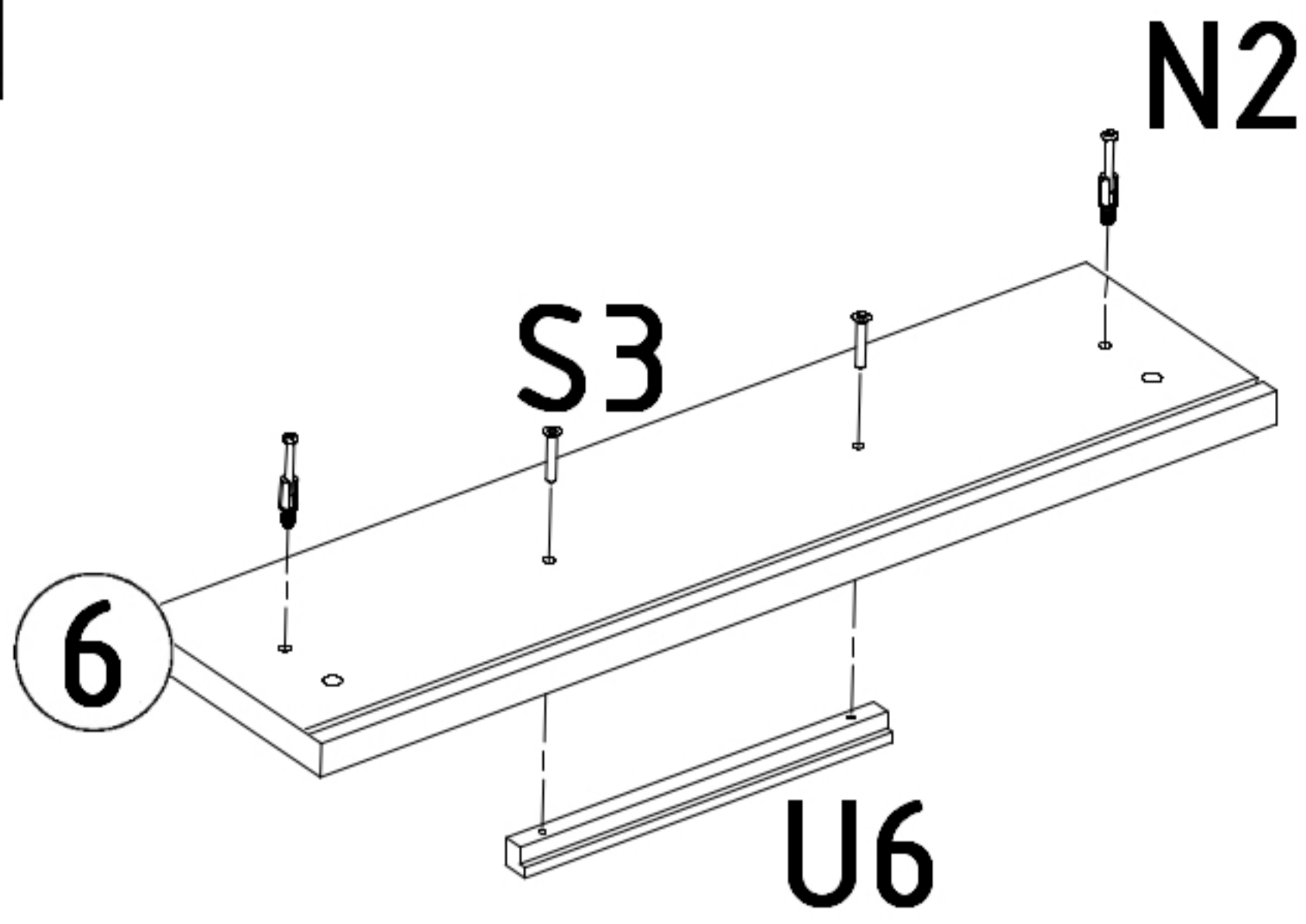





F2

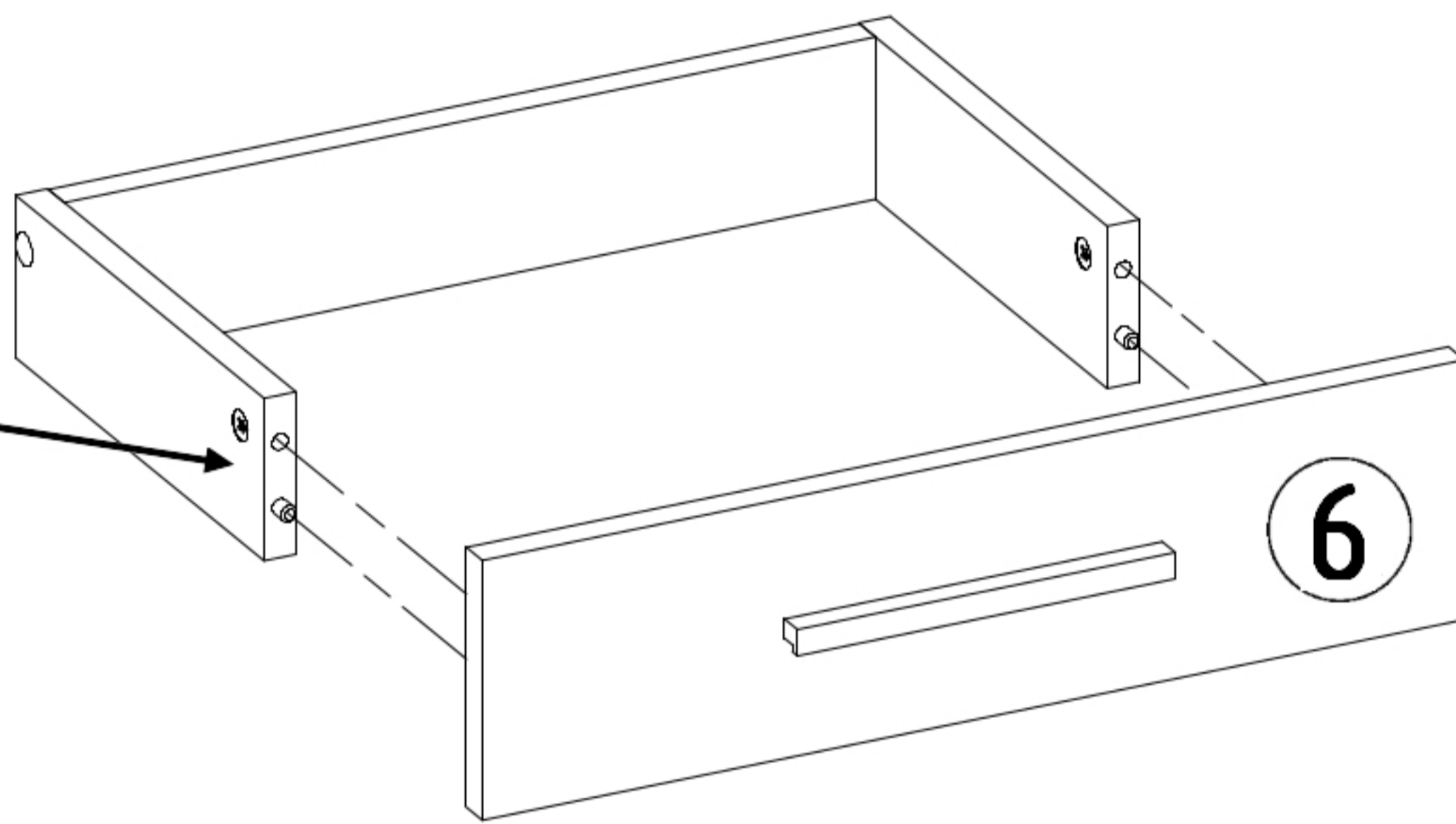
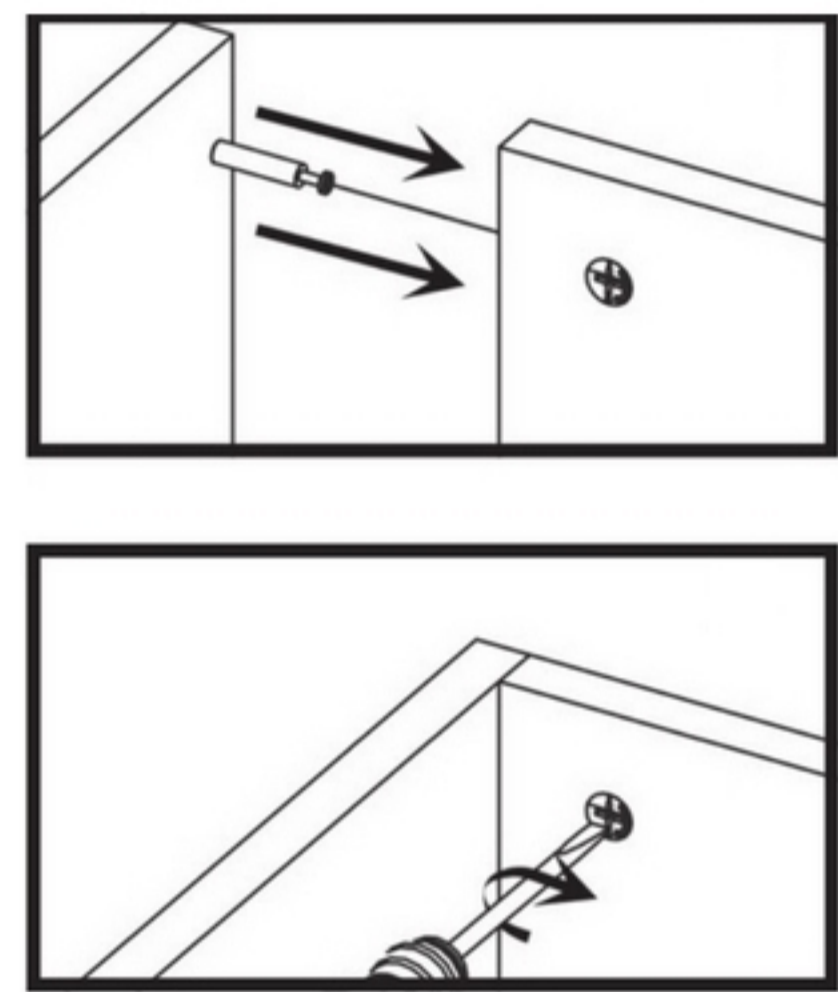
K1

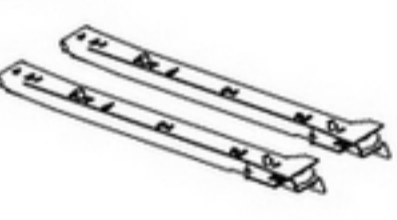





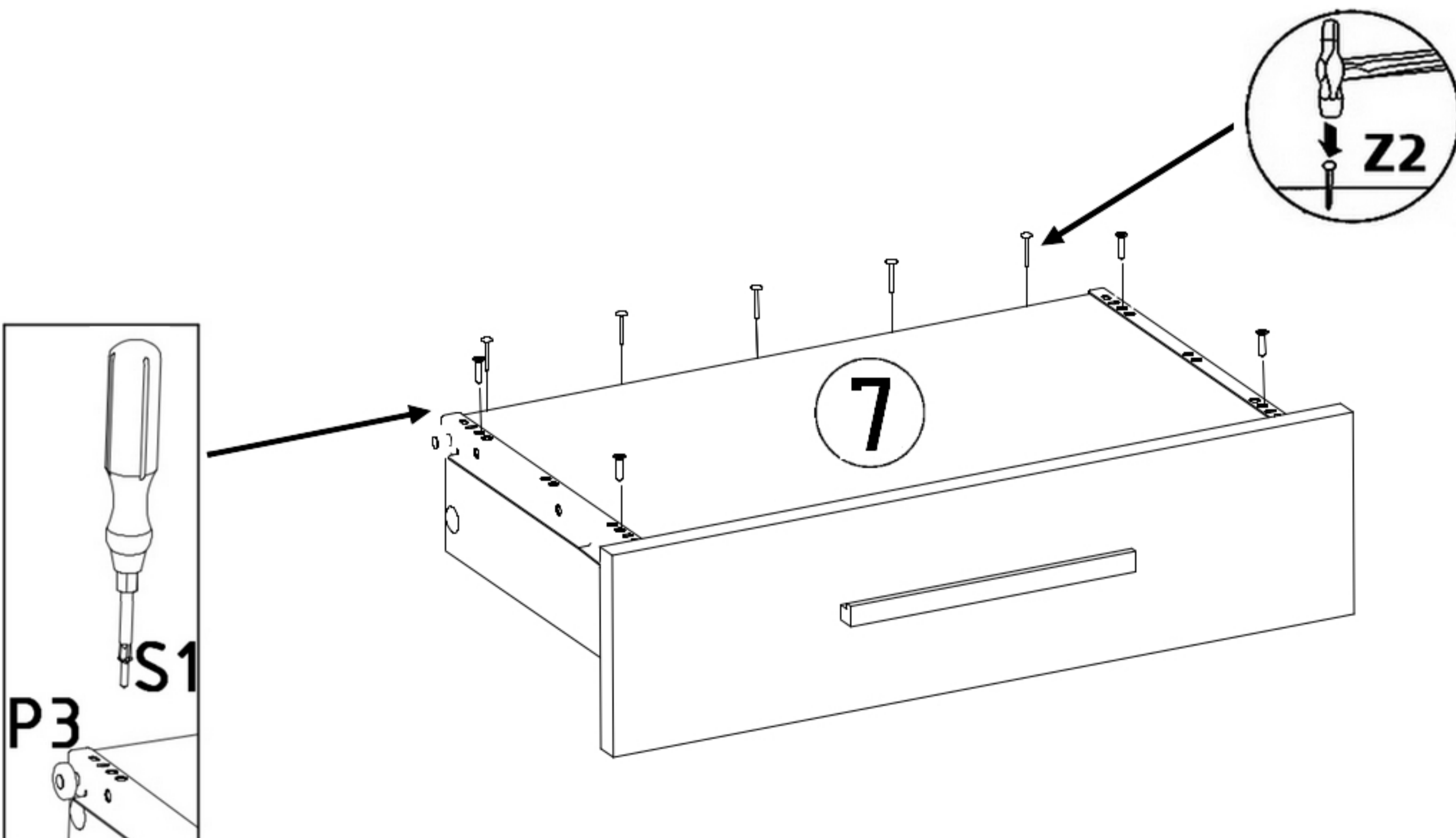
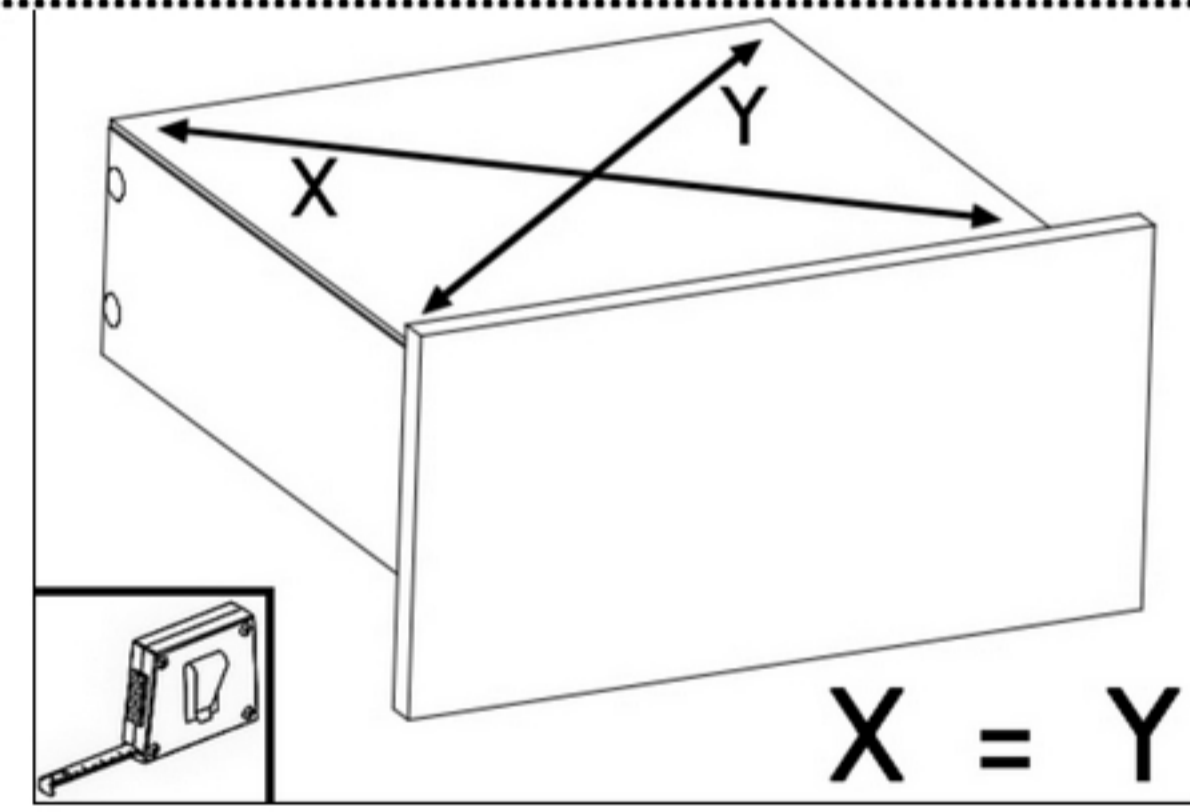
N2  20,3 x 2	U6  x 1	S3  4x27 x 2
---	---	--


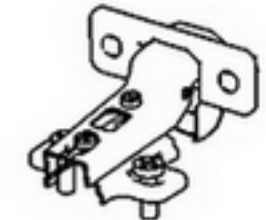




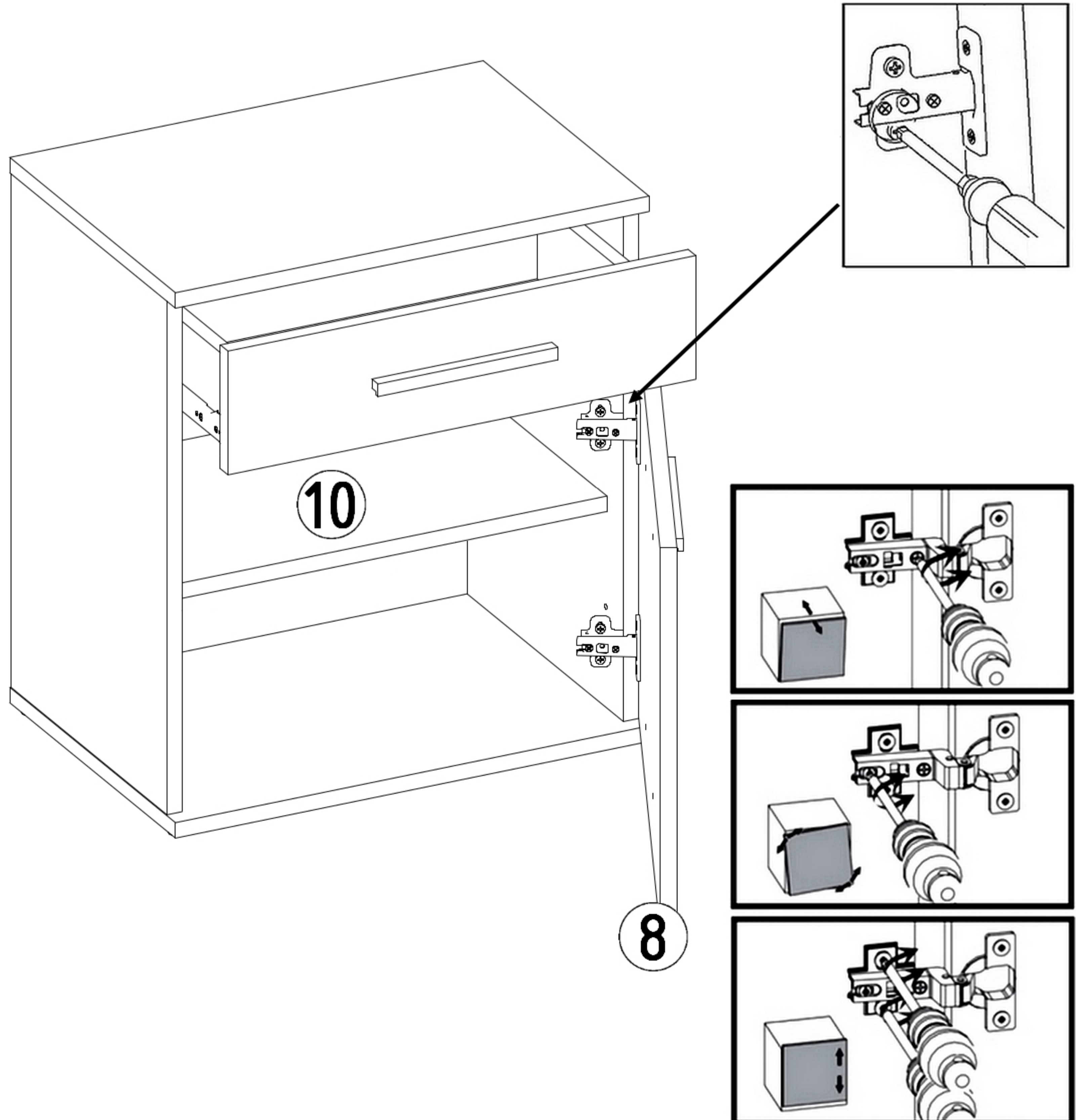
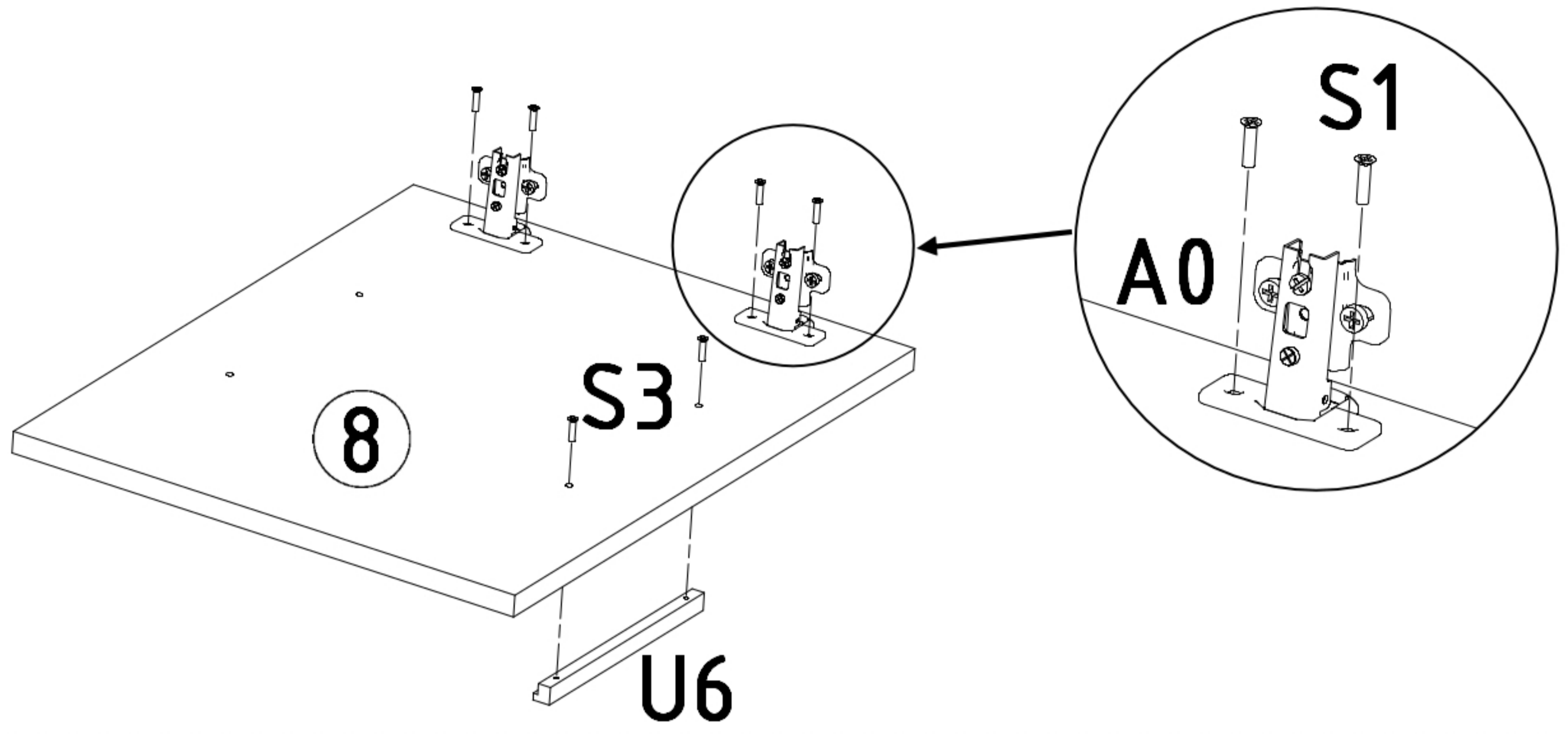
M2  x 2	M3 	M2 
---	--	--







P3  L=250 x 1	S1  3,5x16 x 4	Z2  x 5
--	--	---

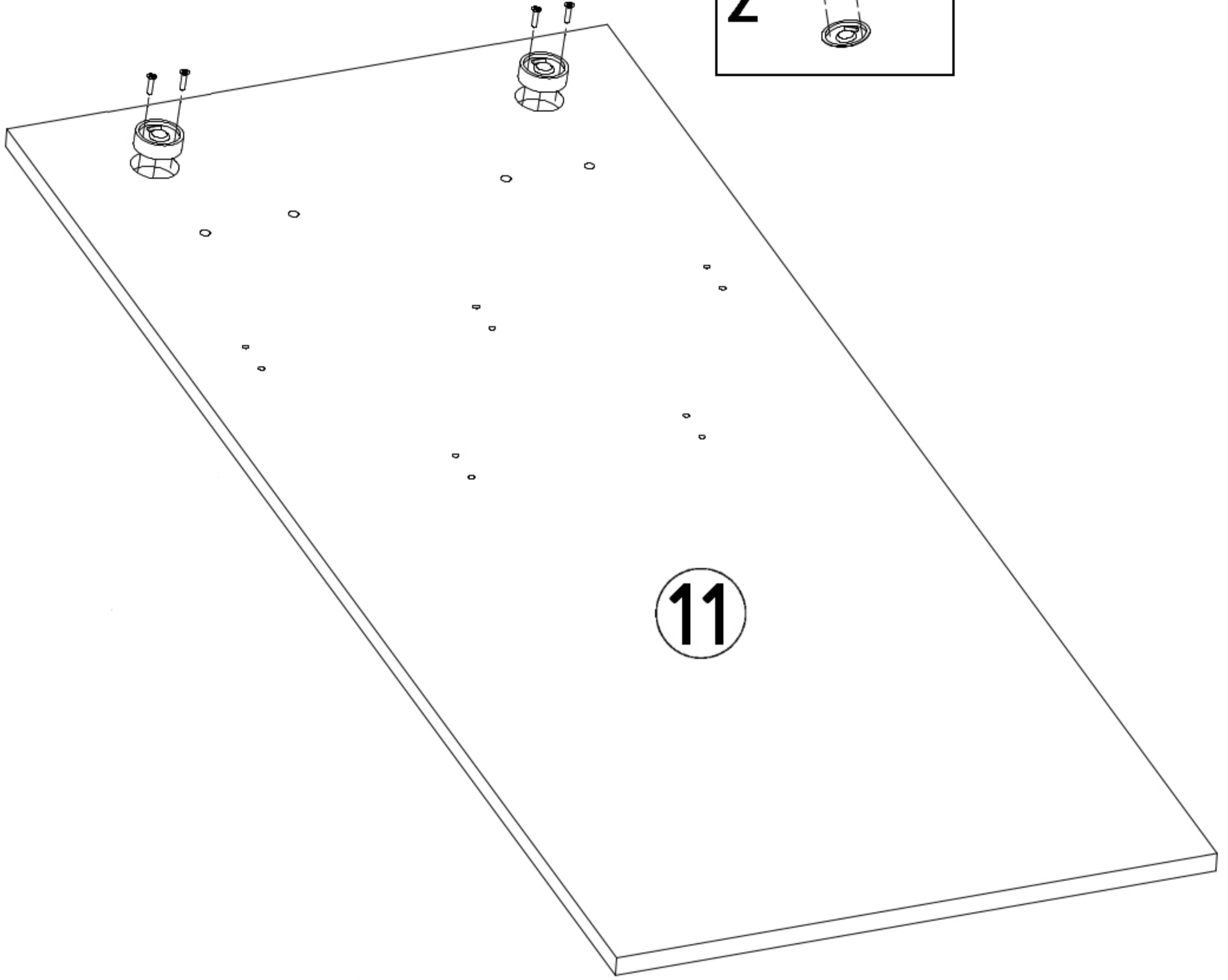


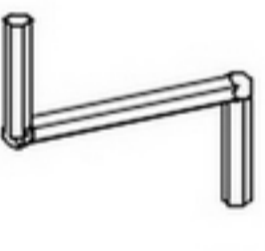



S1  3,5x16 x 4	A0  x 2	U6  x 1	S3  4x27 x 2
---	---	---	--



S15  6x8 x 4	D12  x 2
--	--

1  D12
2  S15



K1  x 1	F3  x 4
L7  x 5	S3 4x27 x 10 

F2

K1