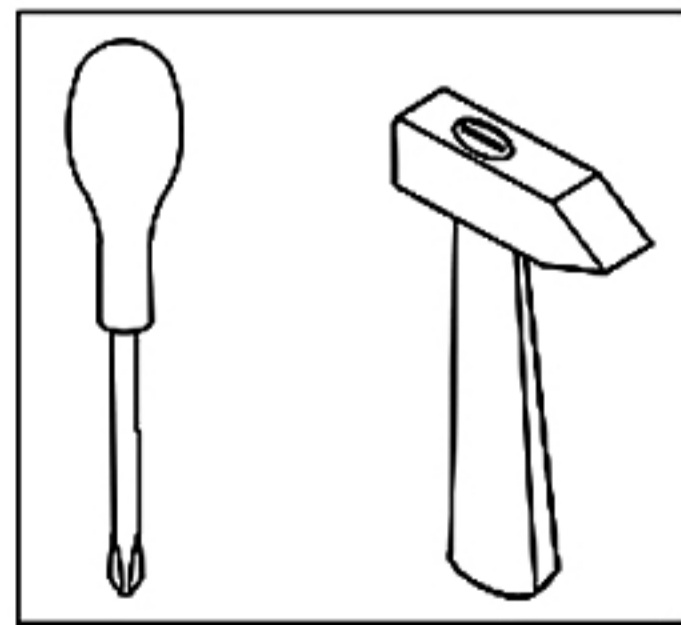
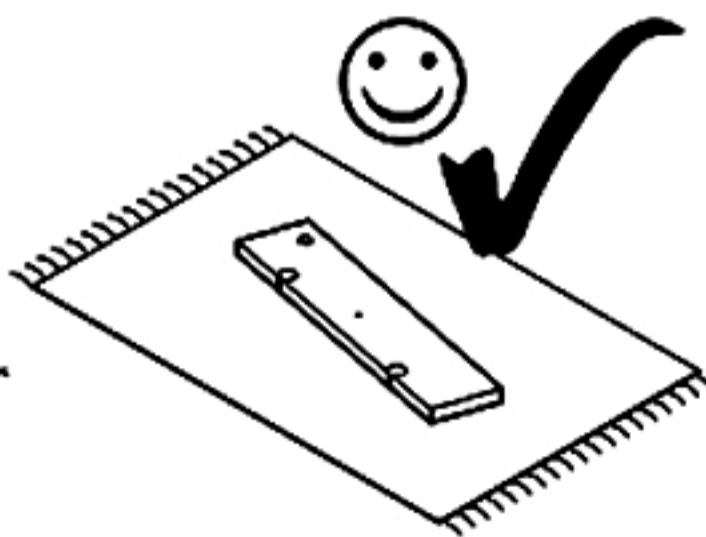
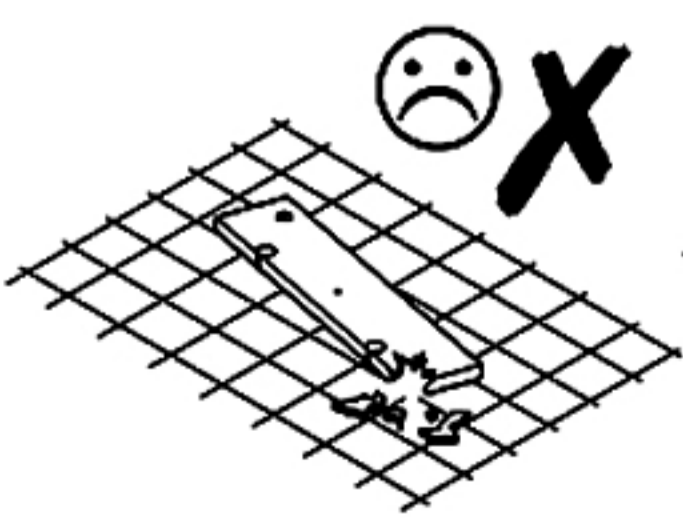
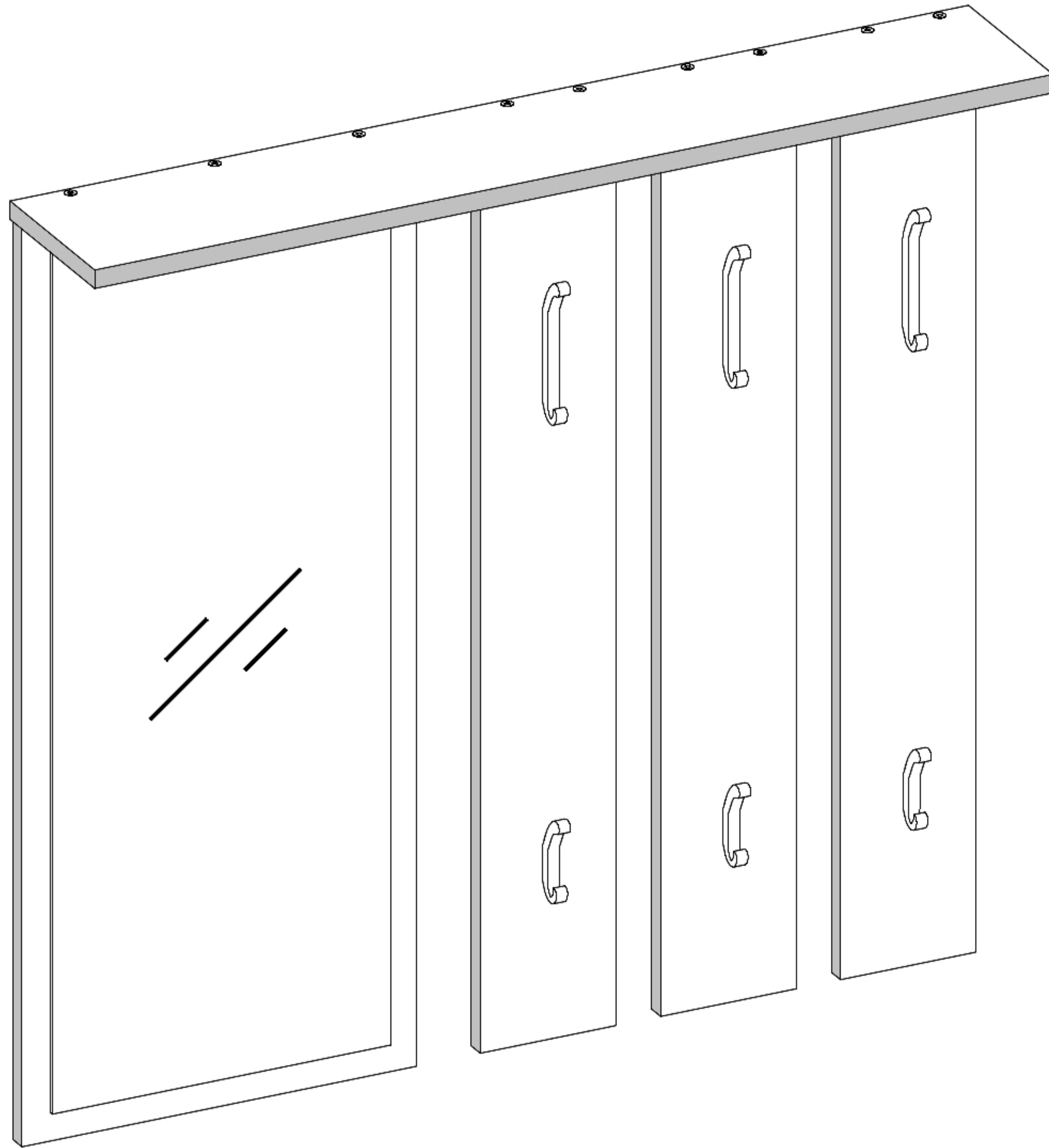
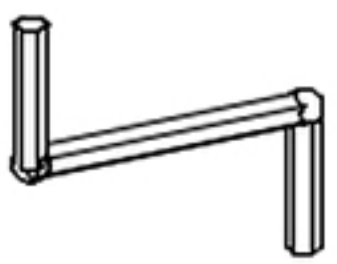


28.01.2022

AGAT/OPAL W

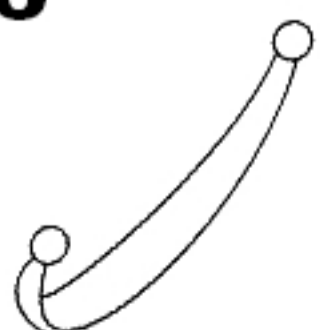


K1



x 1

L6



L=114mm **x 3**

L5



L=72mm **x 3**

D12



ø34 mm **x 2**

F3



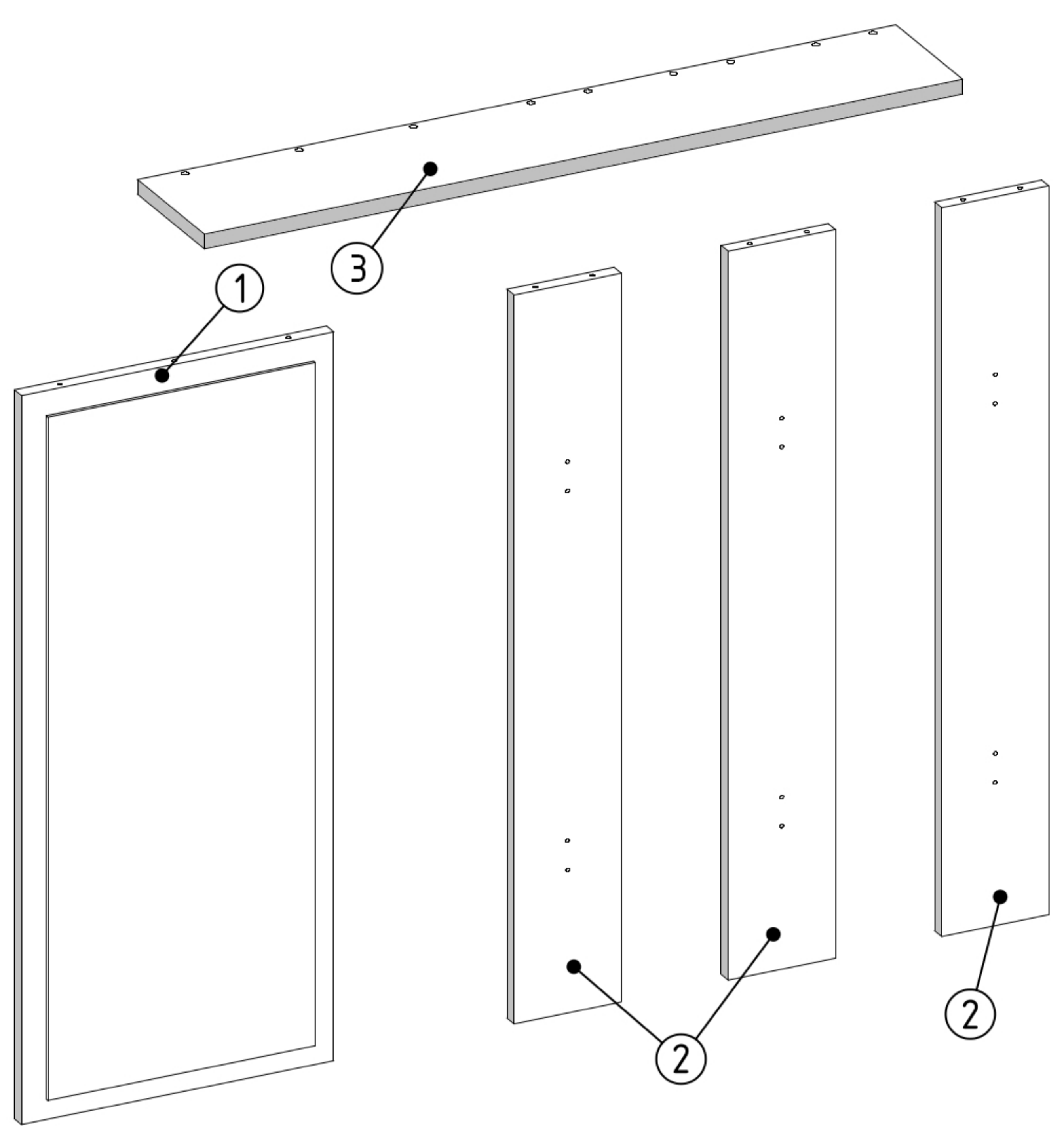
7x50 mm **x 9**

S4




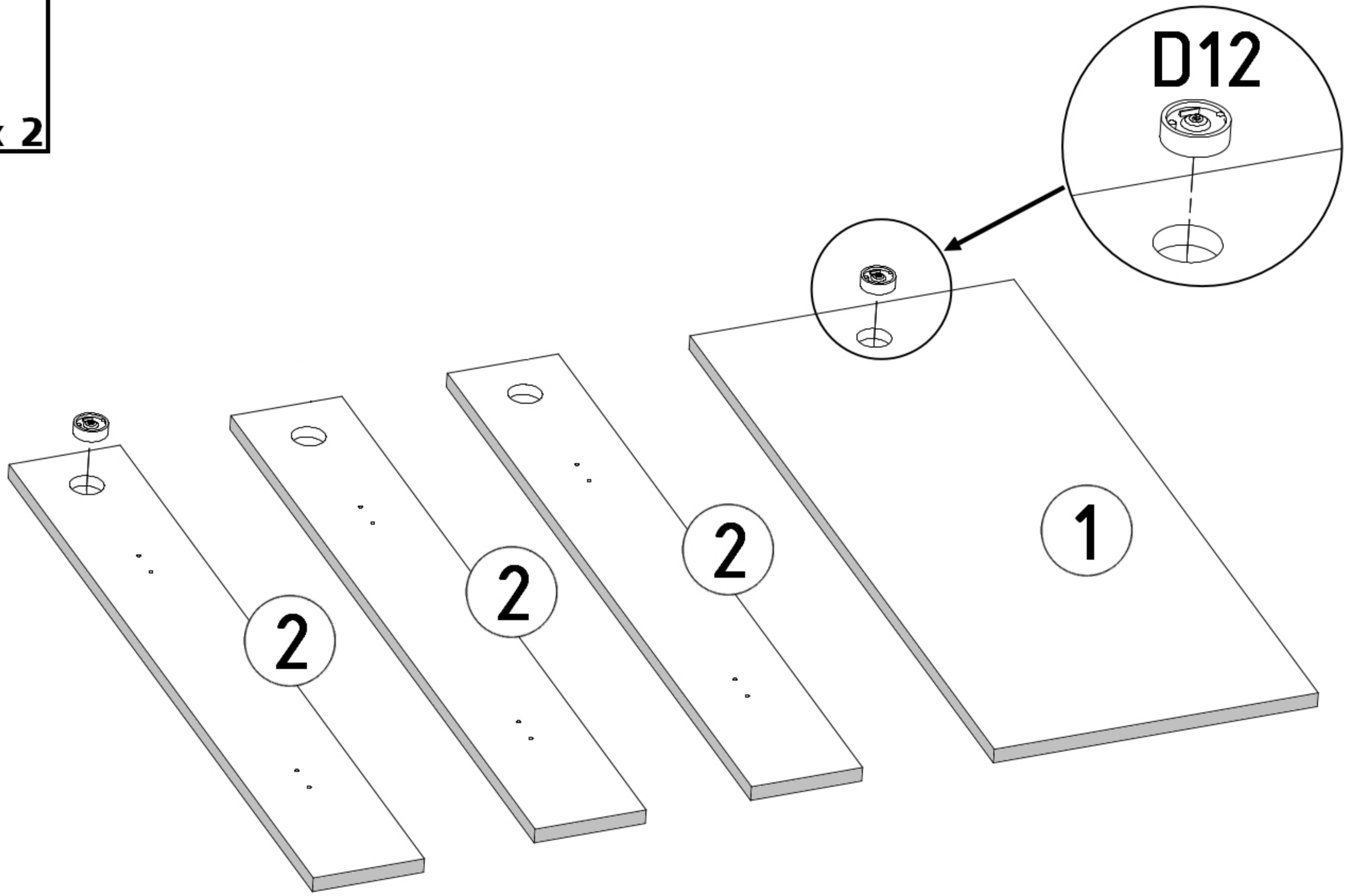
4x25 mm **x 12**

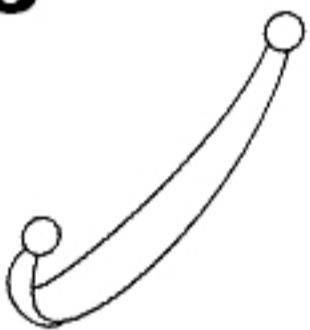


1

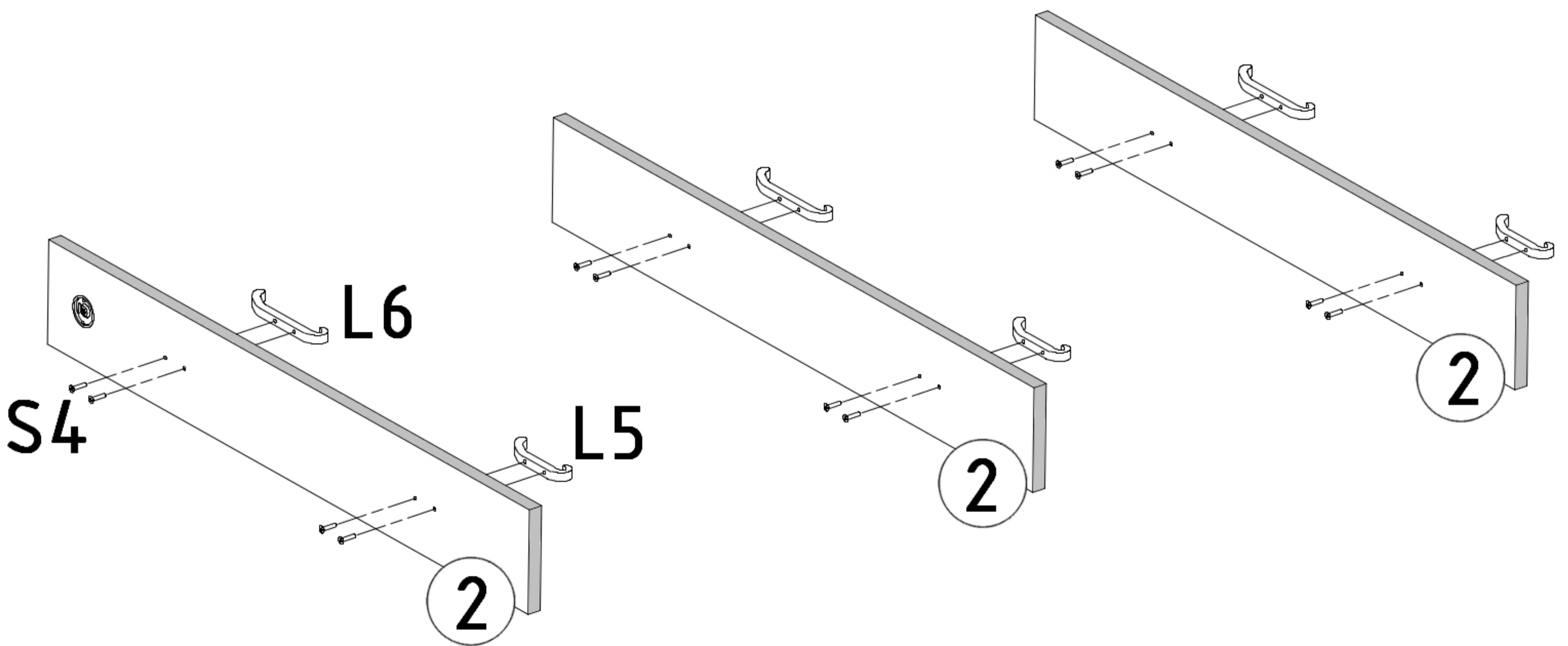


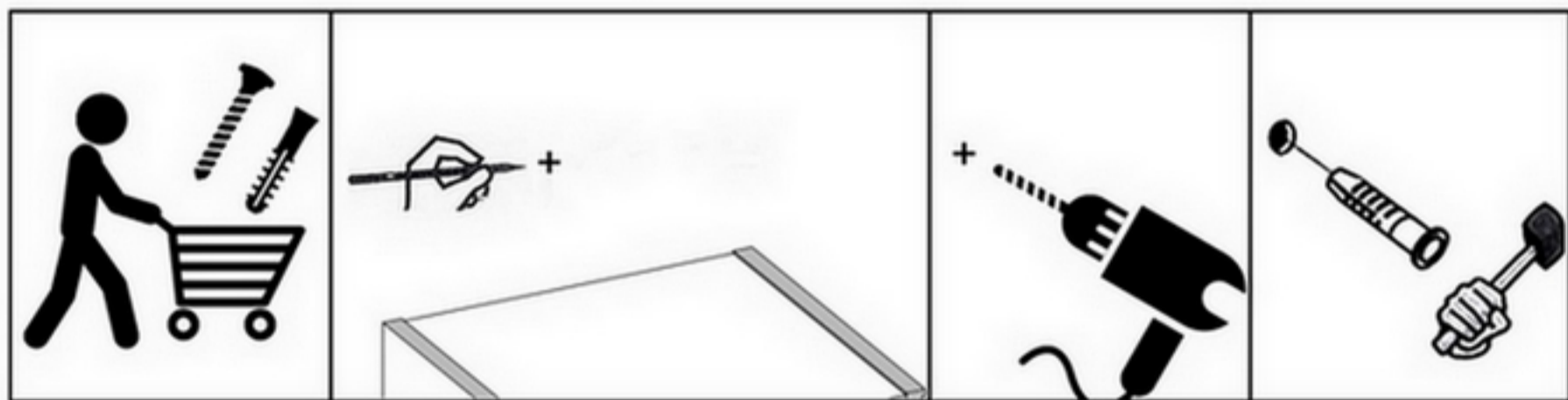
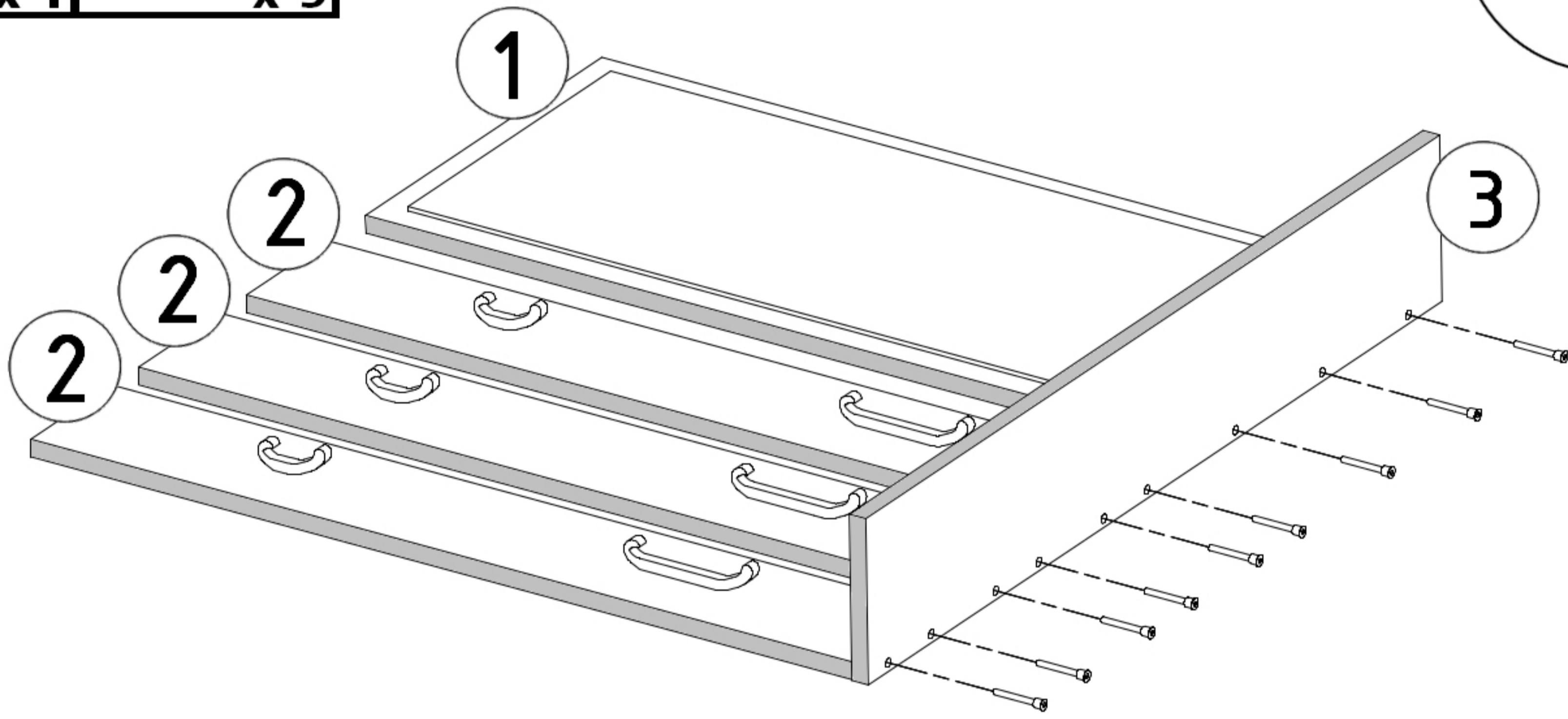
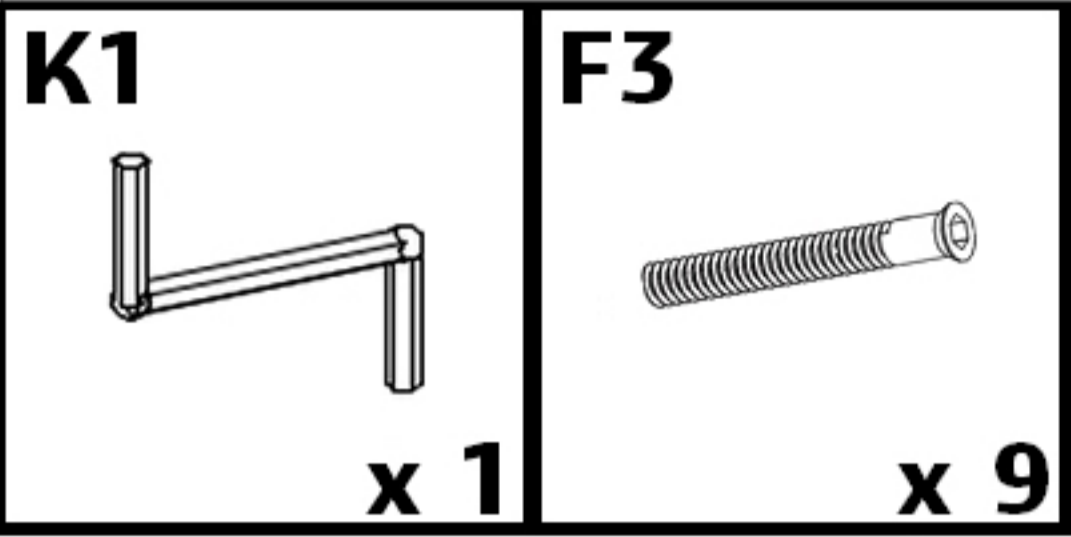
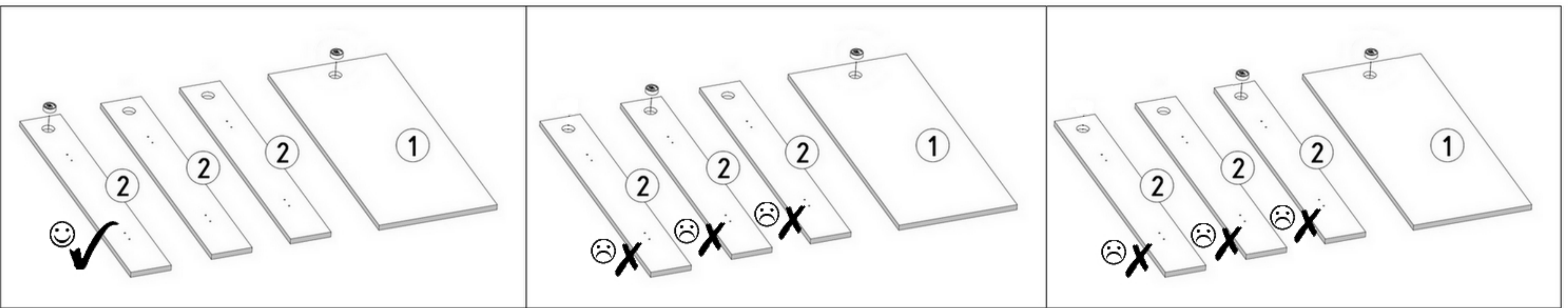
1	x	1
2	x	3
3	x	1

D12

x 2



<p>L6  x 3</p>	<p>L5  x 3</p>	<p>S4  x 12</p>
--	---	--





611 mm

