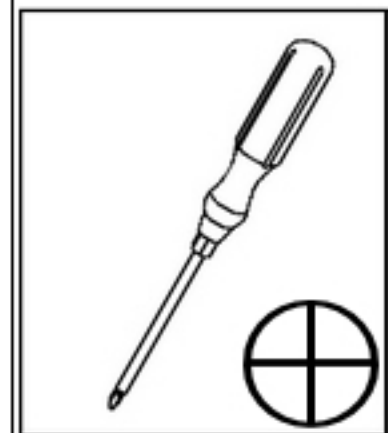
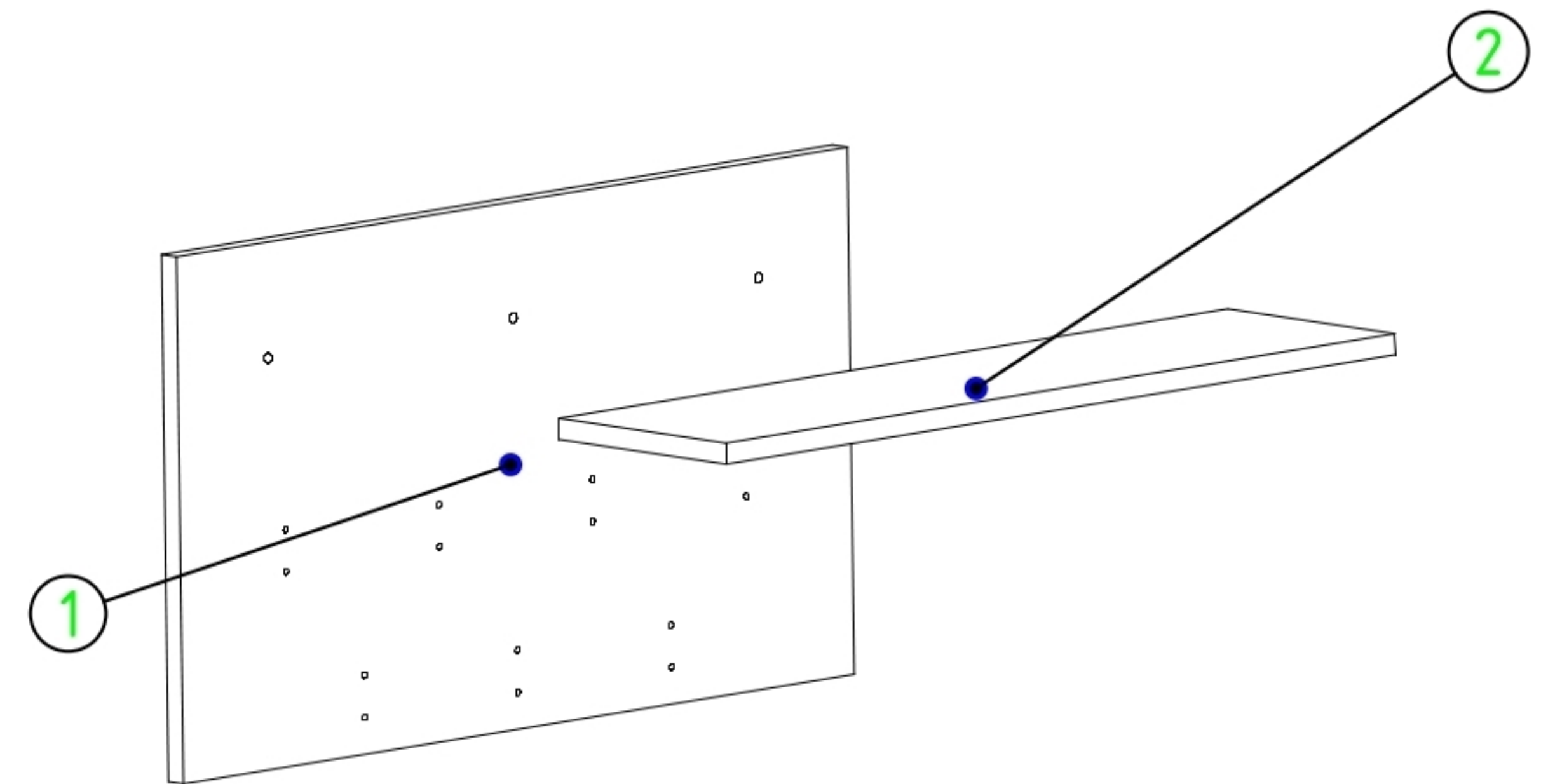
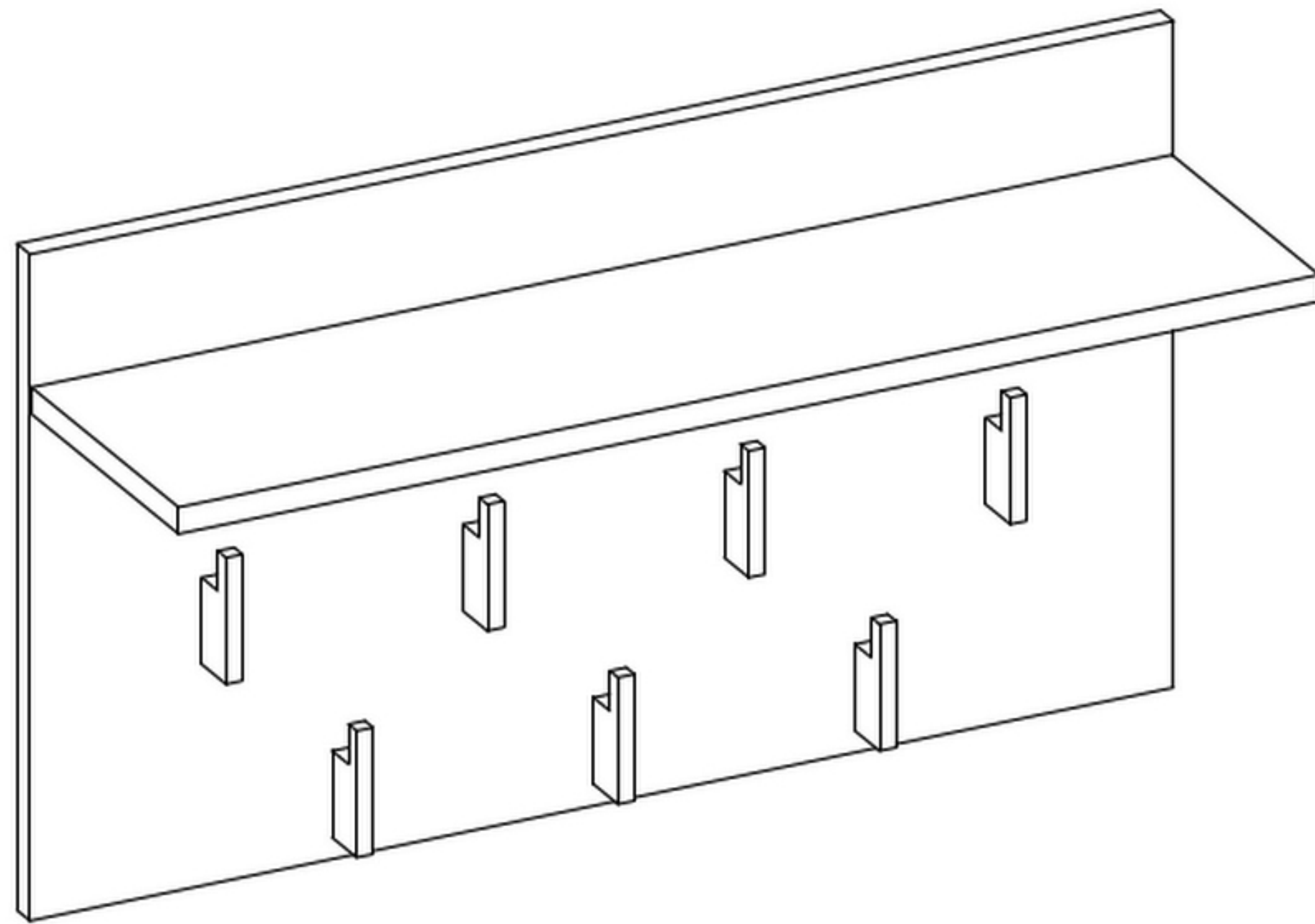
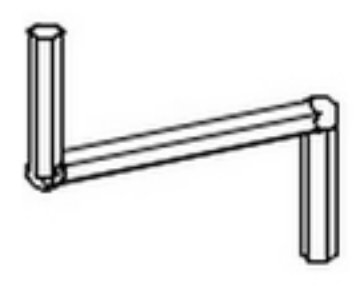

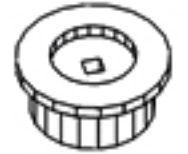




19.02.2019

2F



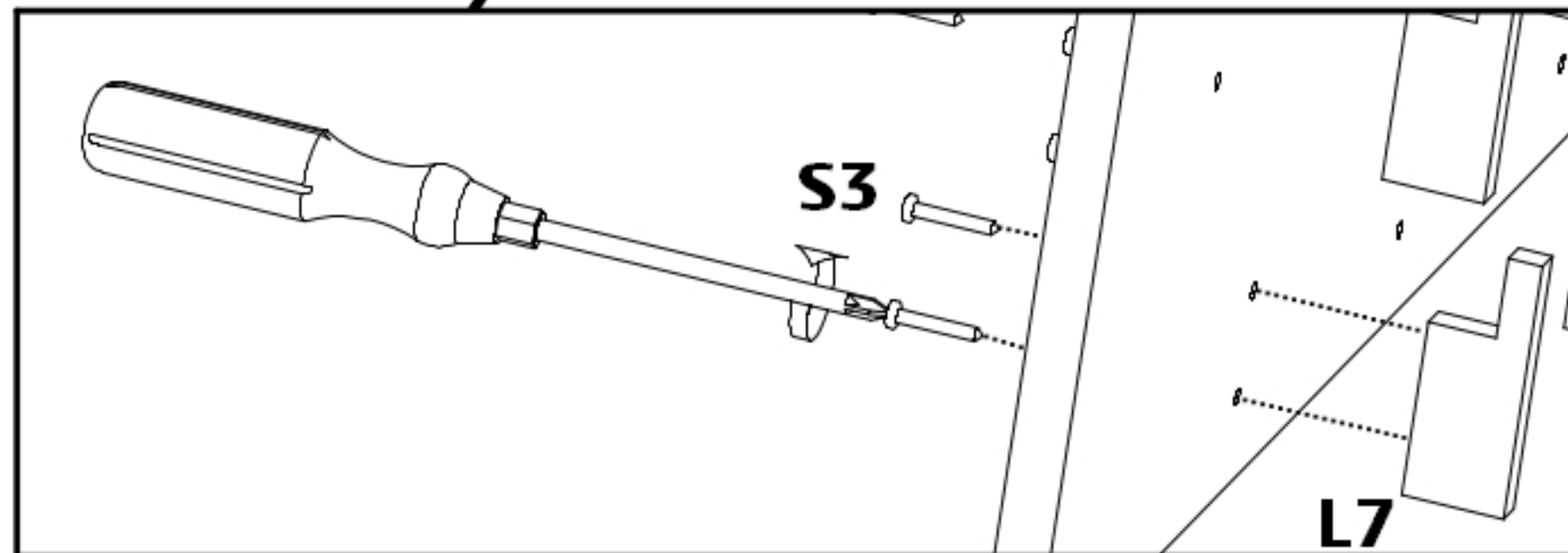
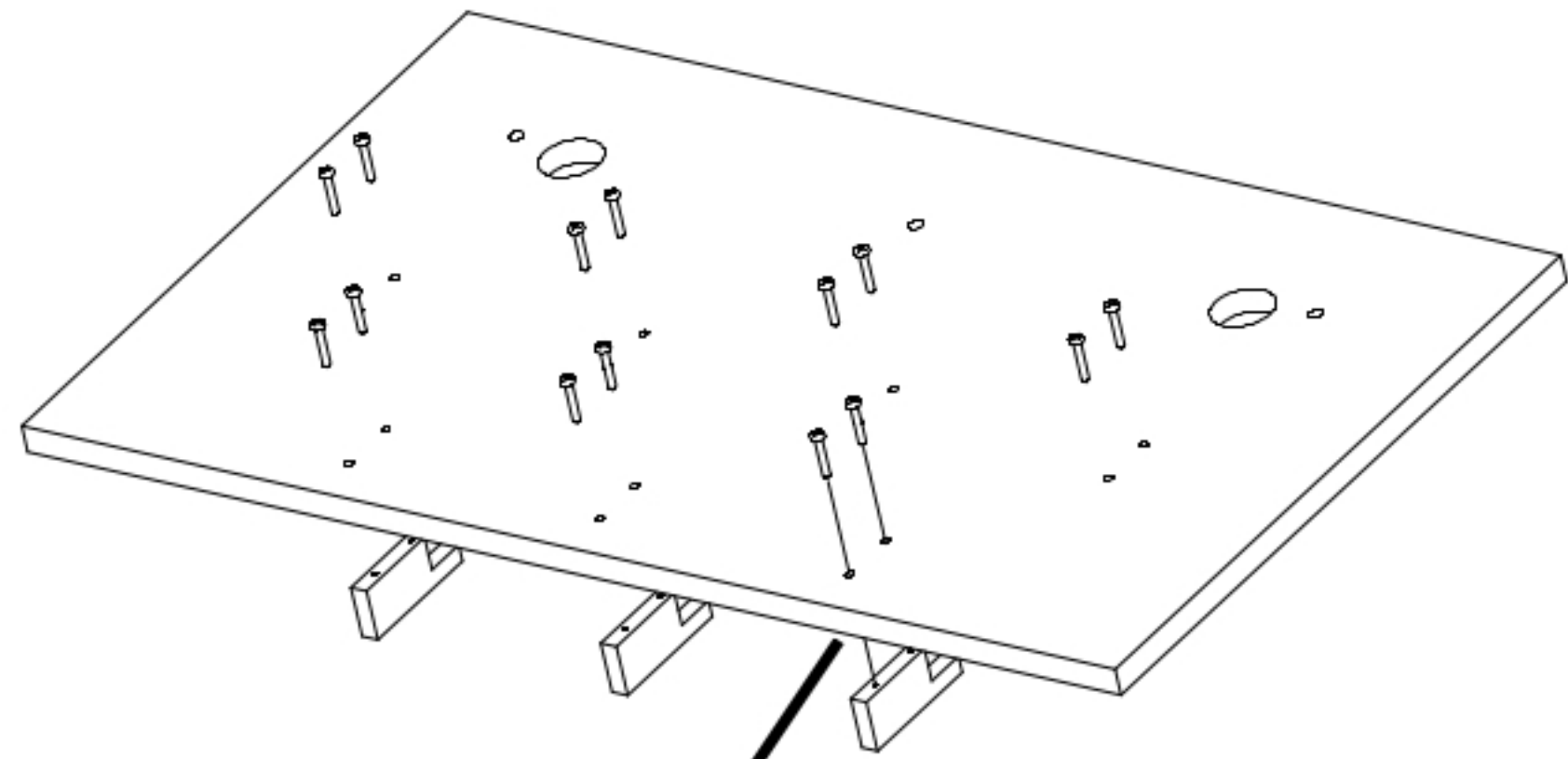
K1  x 1	L7  L=72 mm x 7	D12  ø34 mm x 2	F3  7x50 mm x 3	S3  4x28 mm x 14
--	--	--	---	---

1	x 1
2	x 1

1

S3
x 14

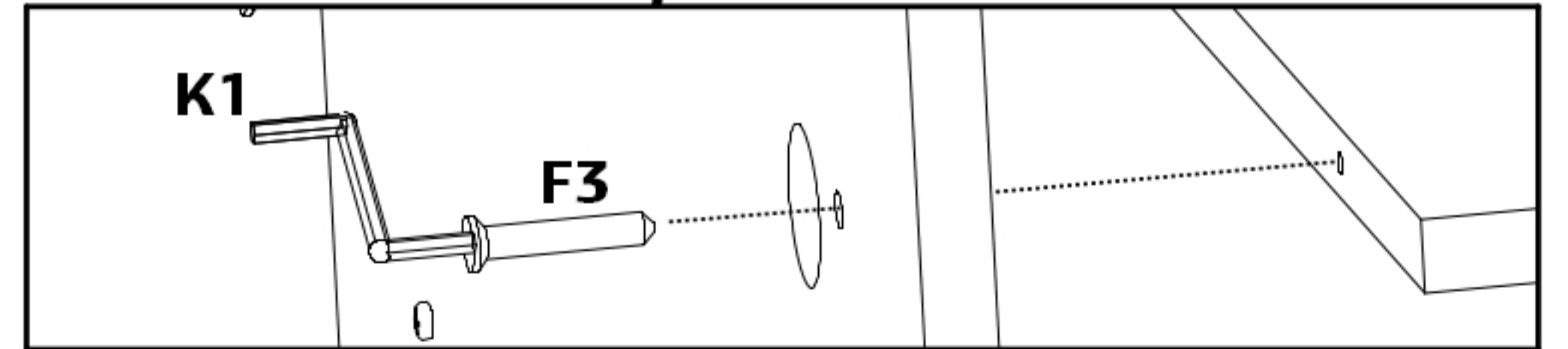
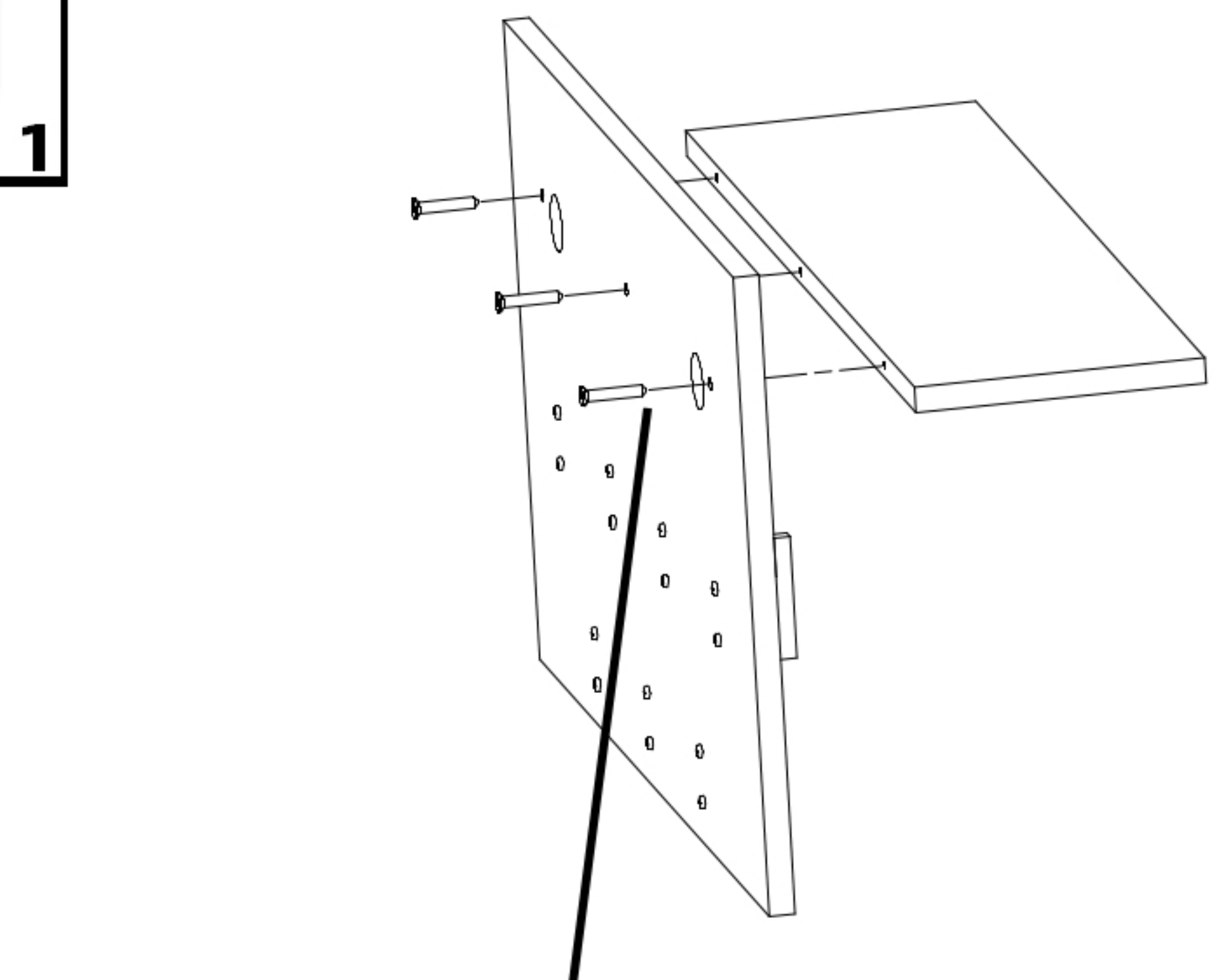
L7
x 7



2

F3
x 3

K1
x 1



D12
x 2

