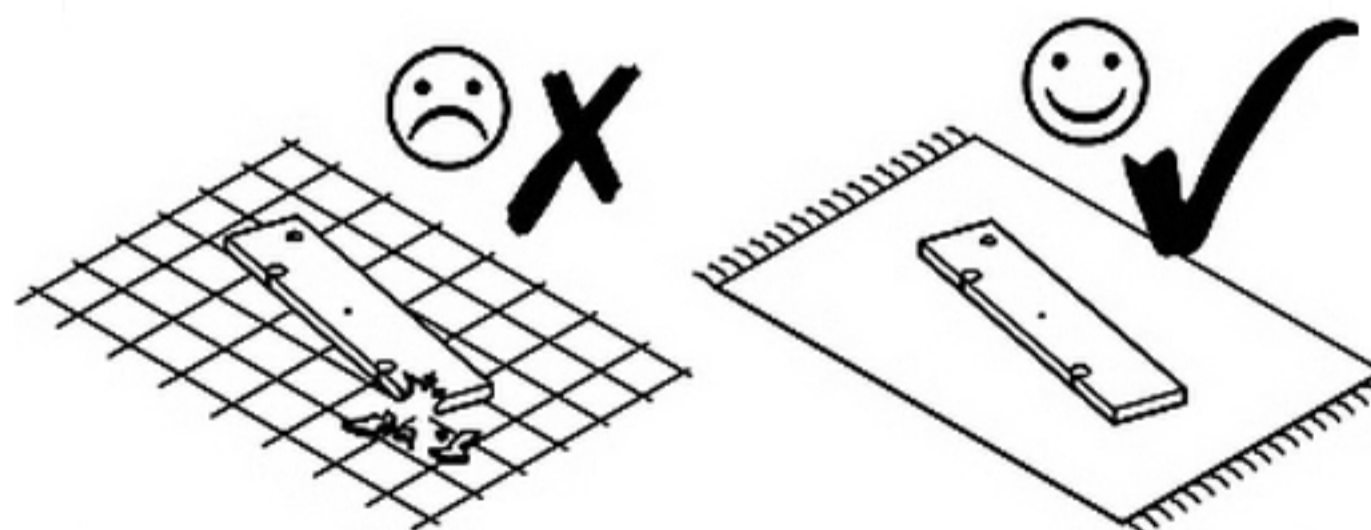
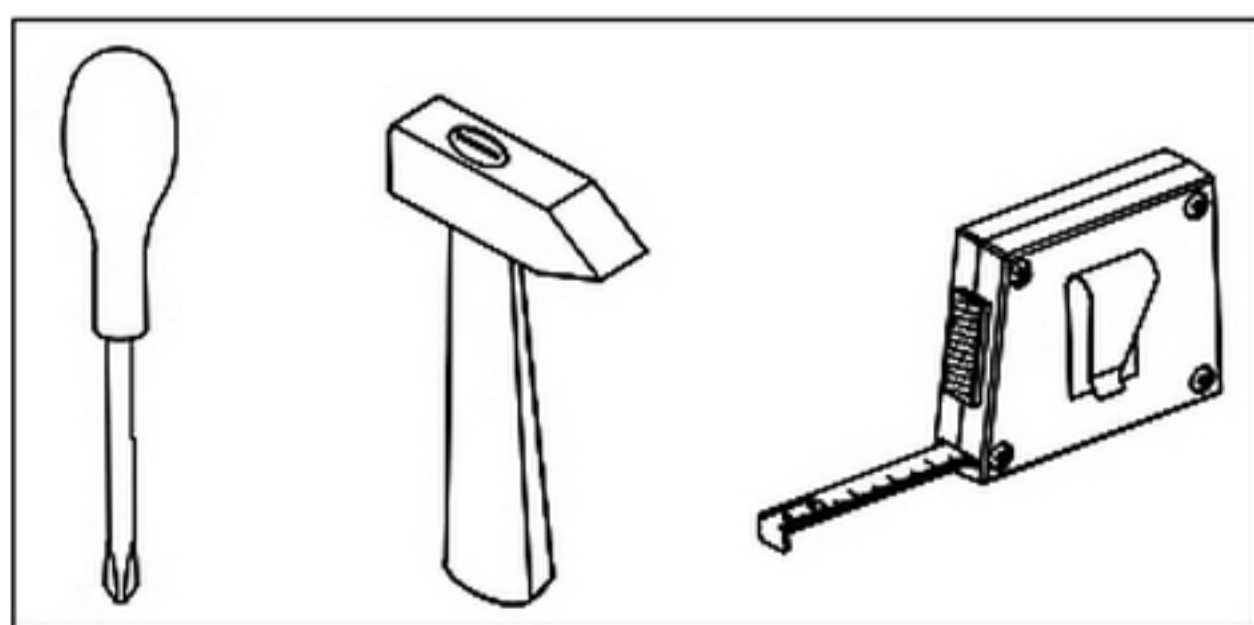
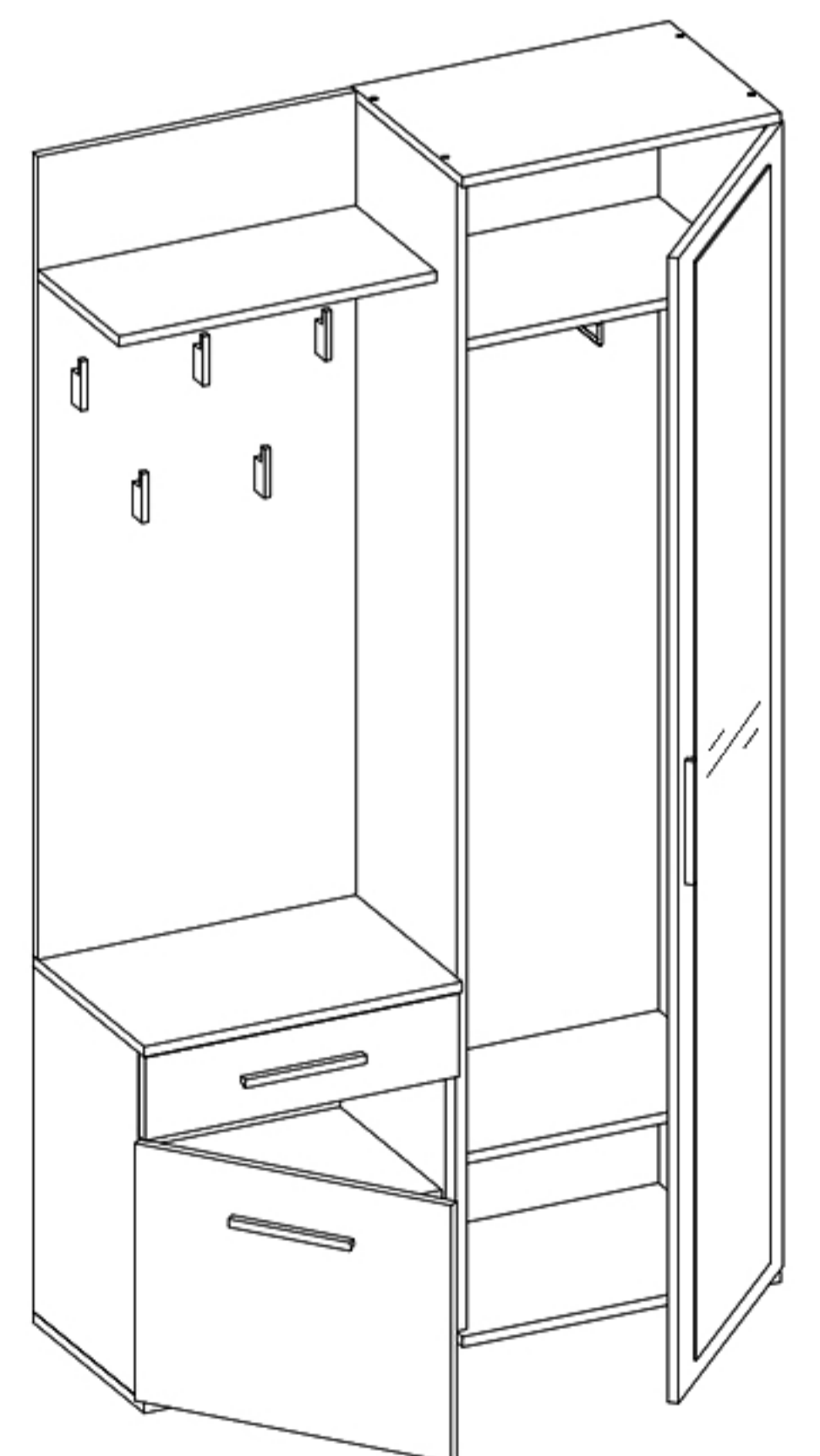
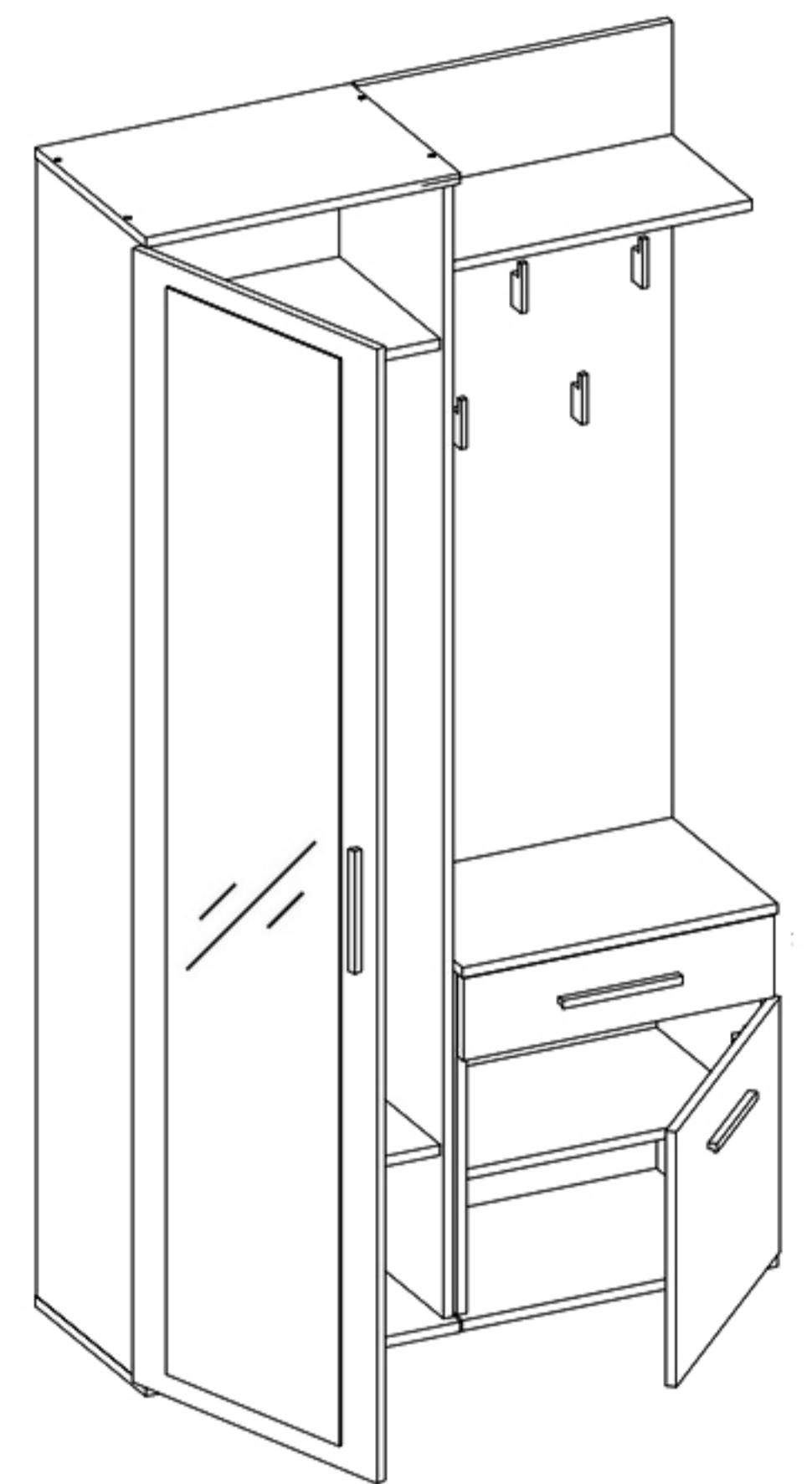
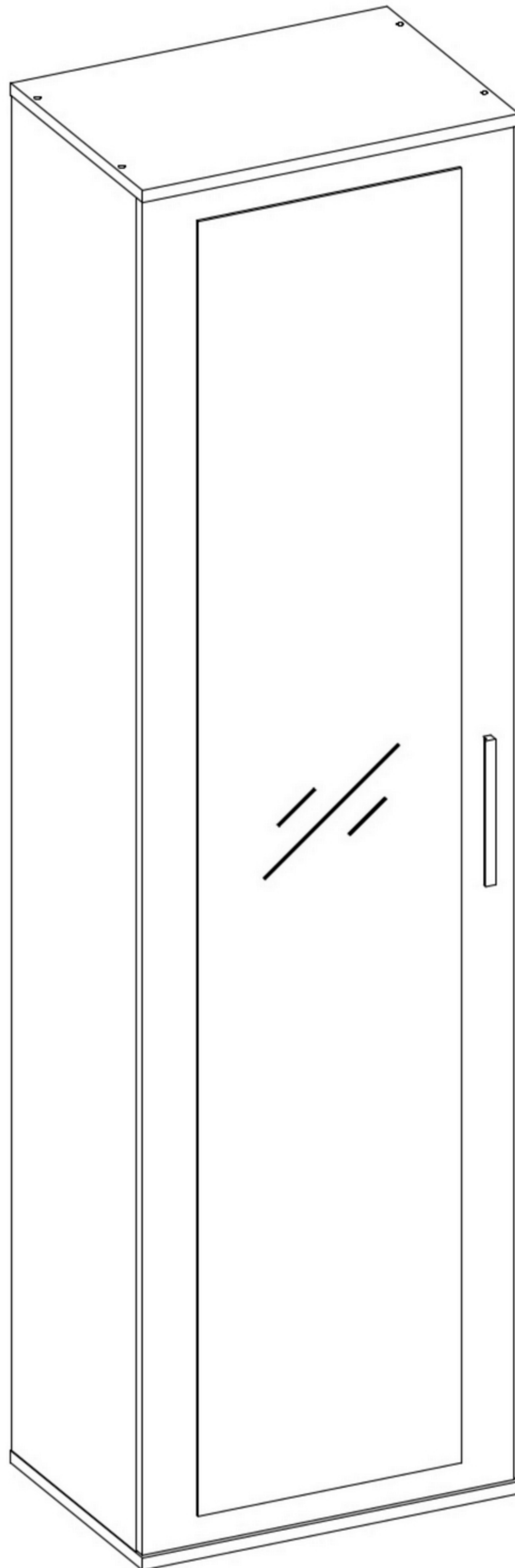
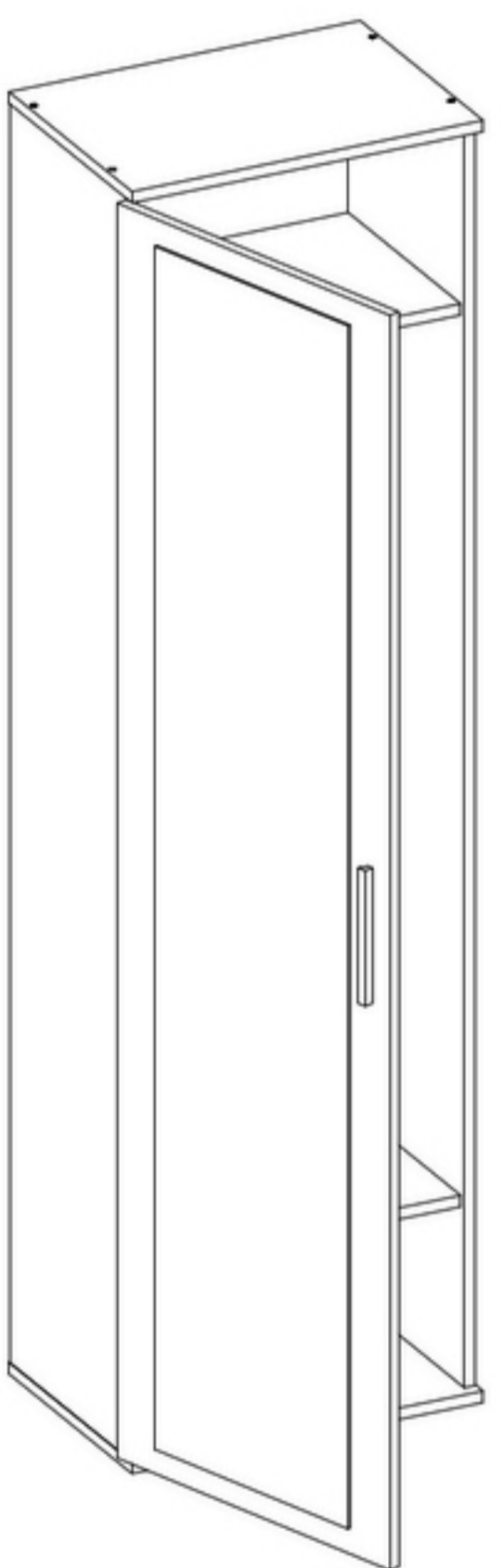
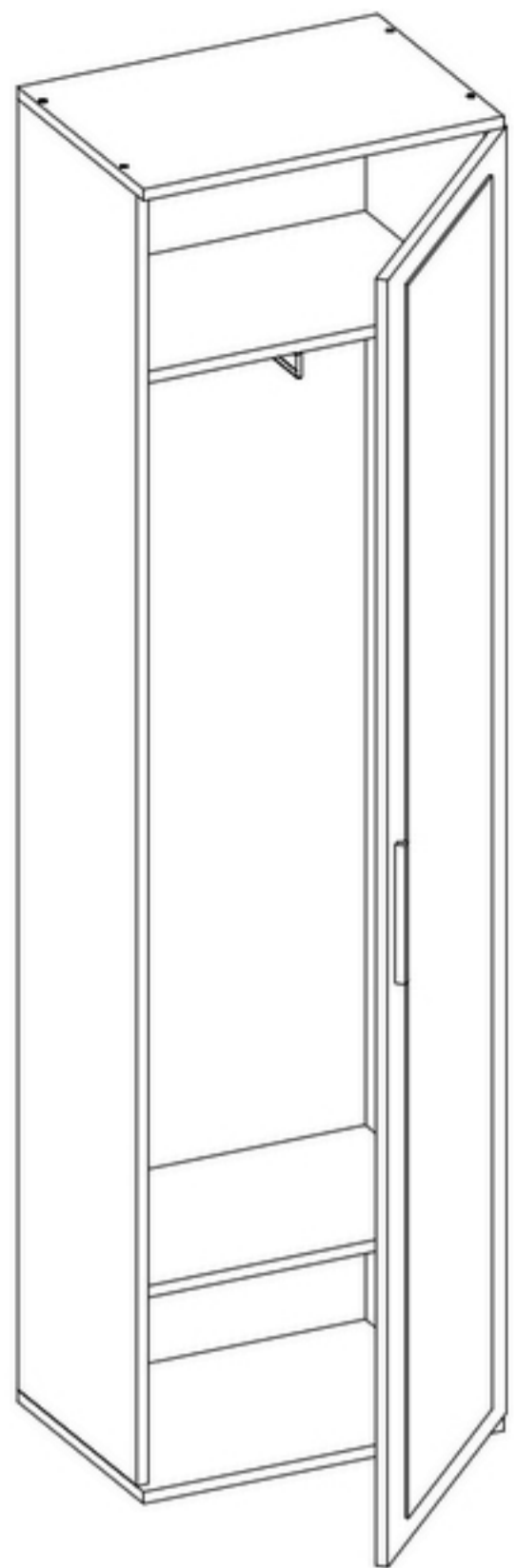


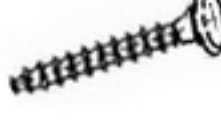

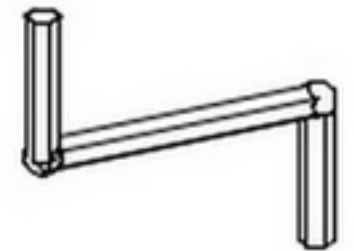









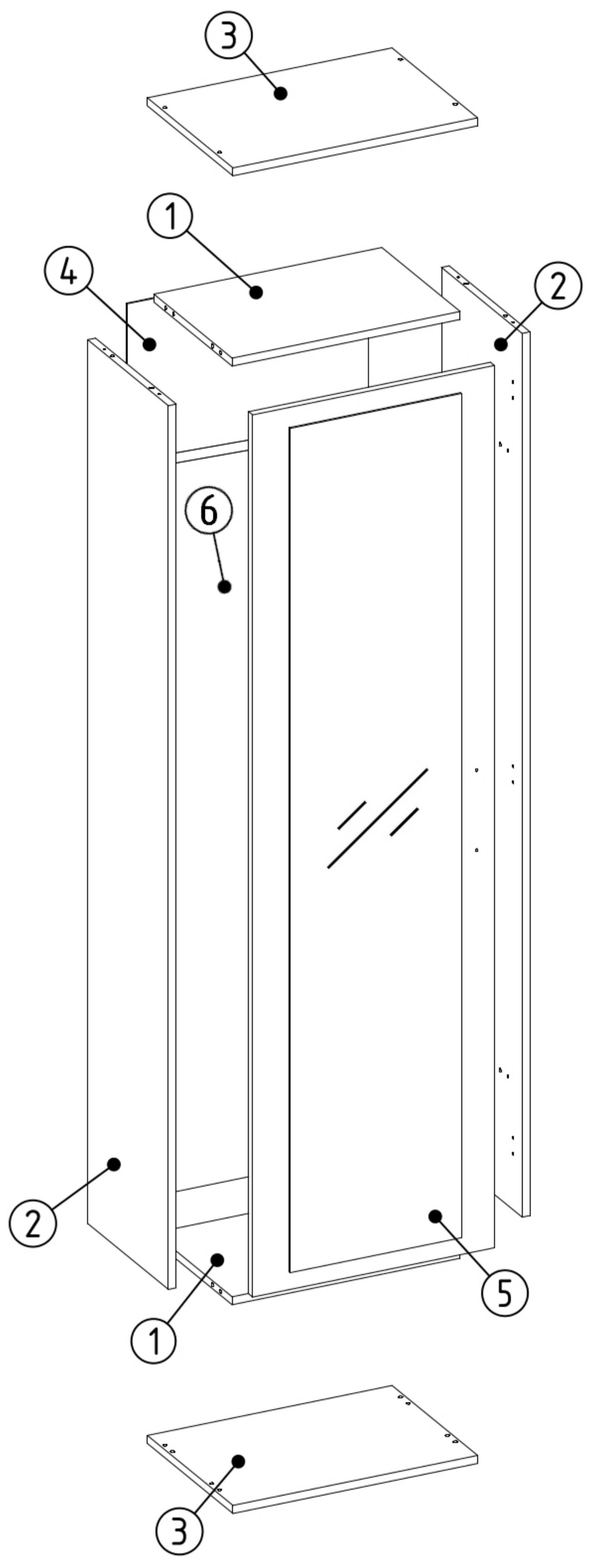


17/11/2021





DUO C1

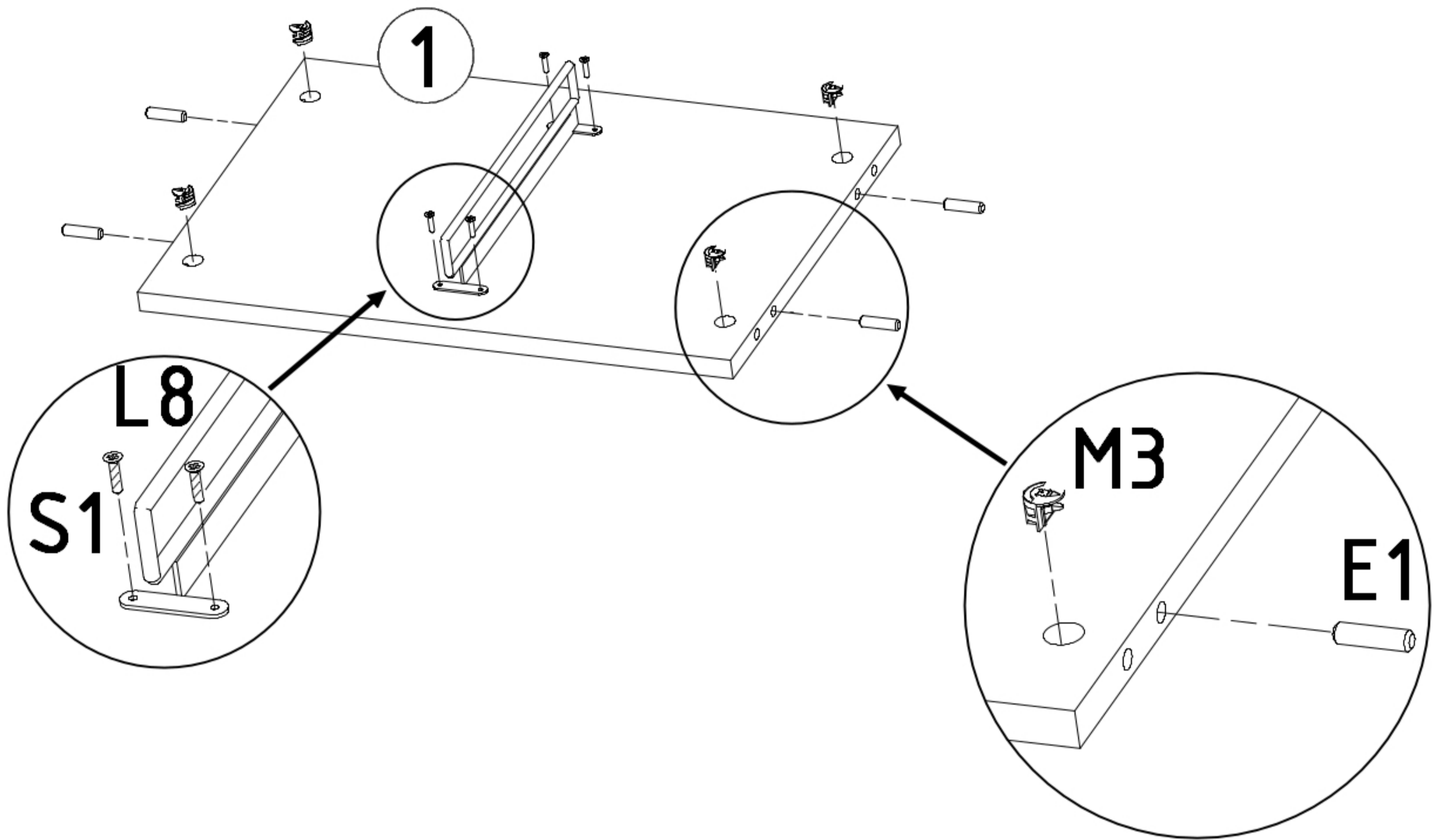




N2  L=35mm x 8	M3  12x15mm x 8	S3  4x27mm x 2	S1  3,5x16mm x 10	K1  x 1	L8  x 1	Z4  x 4
T1  x 4	Z2  x 60	A0  ZP x 3	E1  8x30mm x 16	U6  L=190mm x 1	F2  7x50mm x 8	 x 1

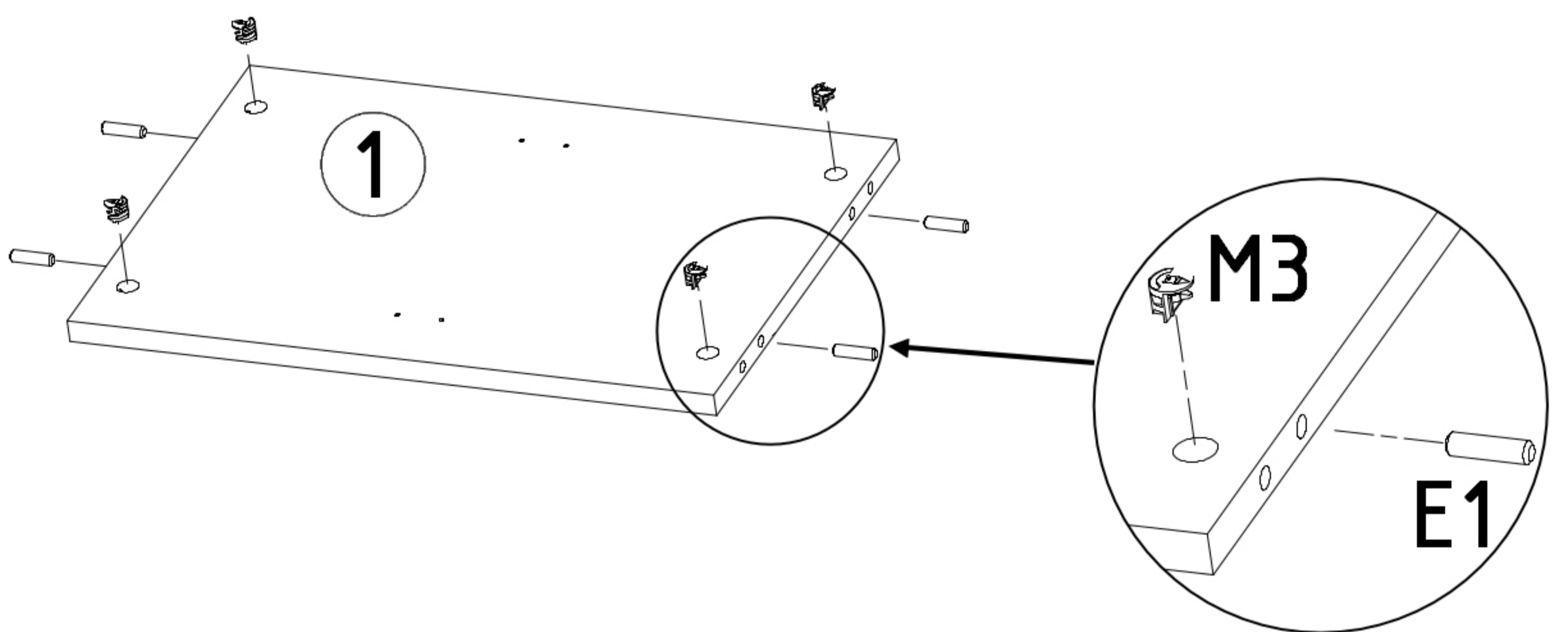



1	x 2
2	x 2
3	x 2
4	x 1
5	x 1
6	x 1

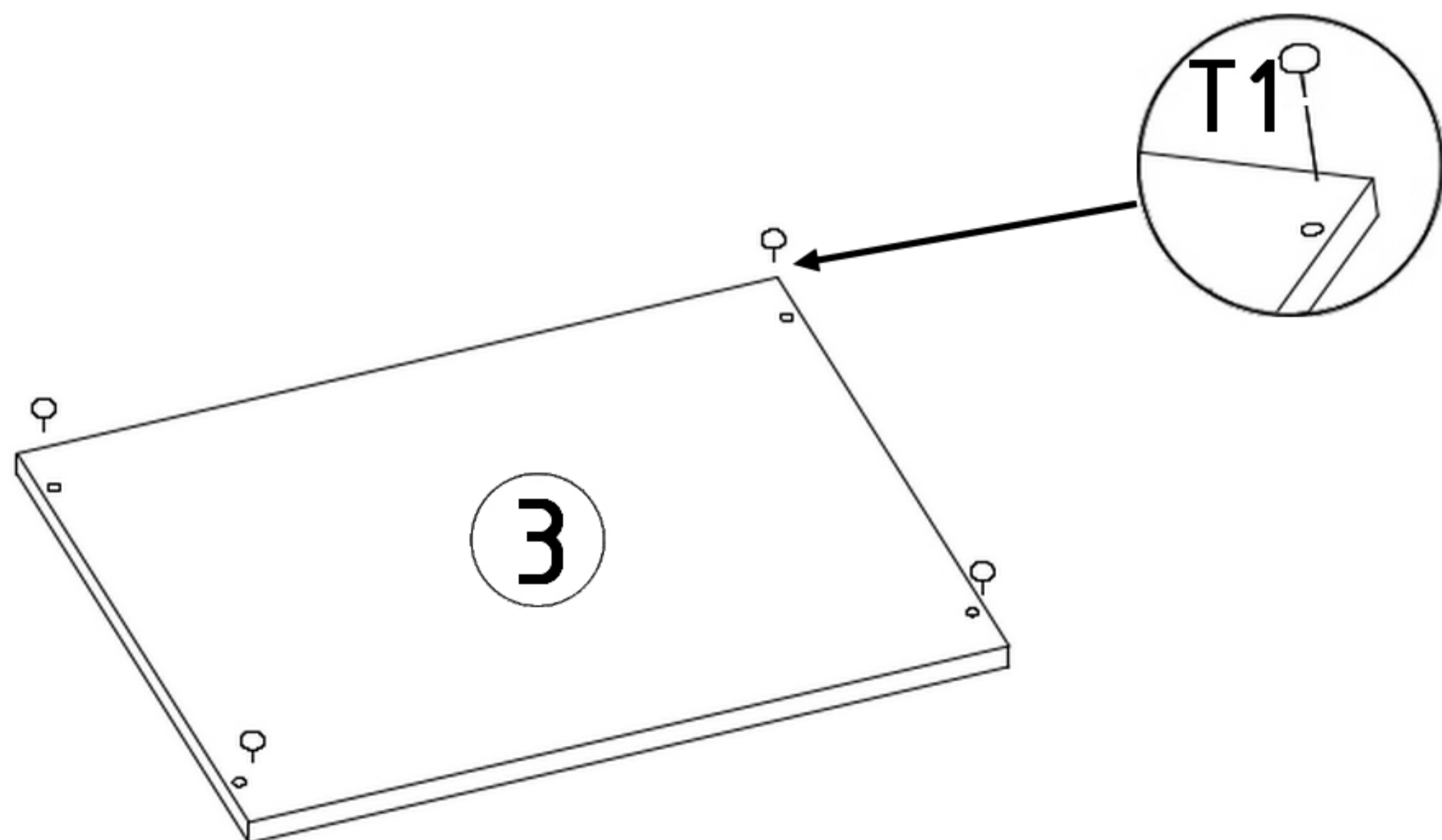
M3  x 4	E1  x 4	L8  x 1	S1  x 4
---	---	---	---

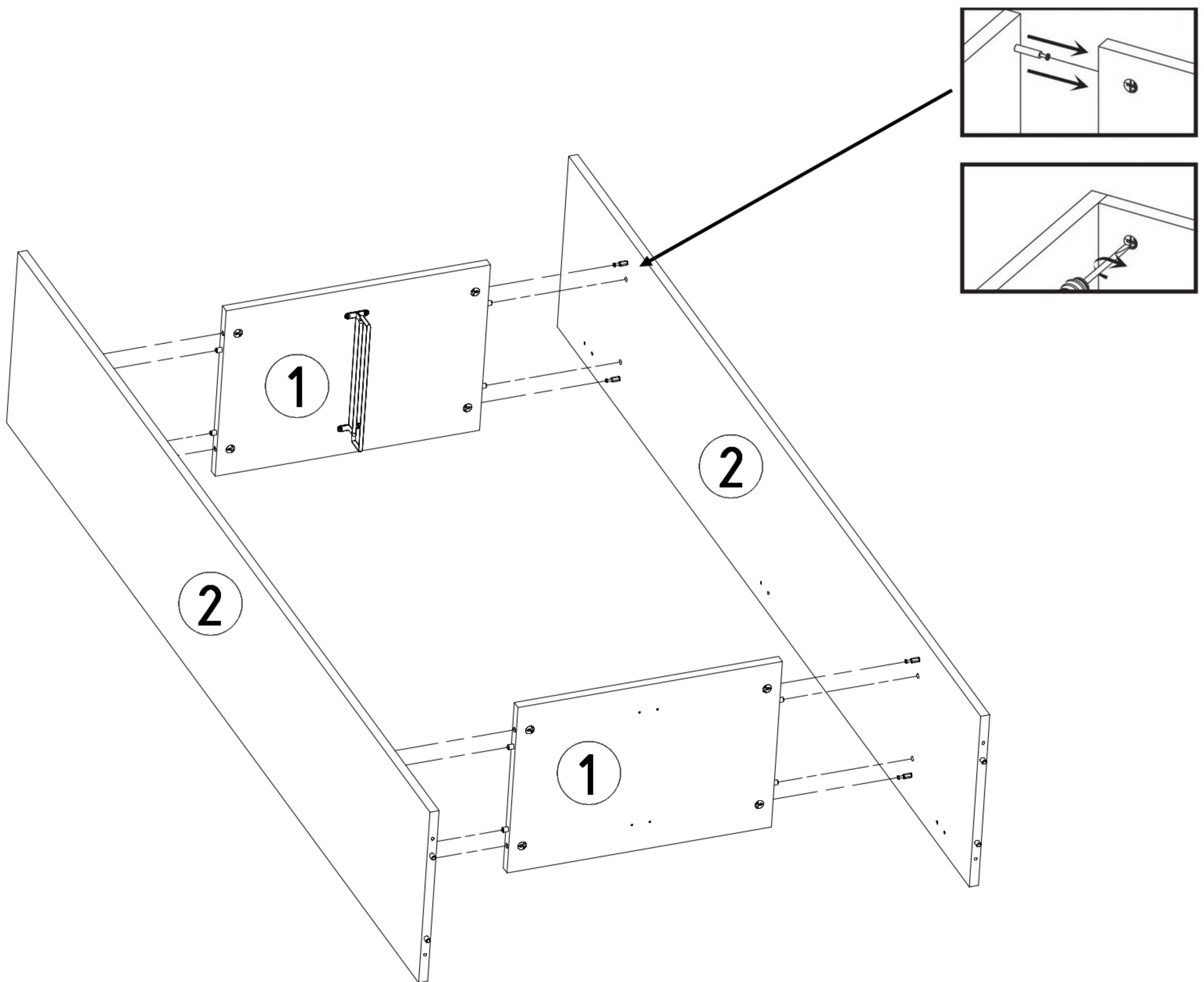
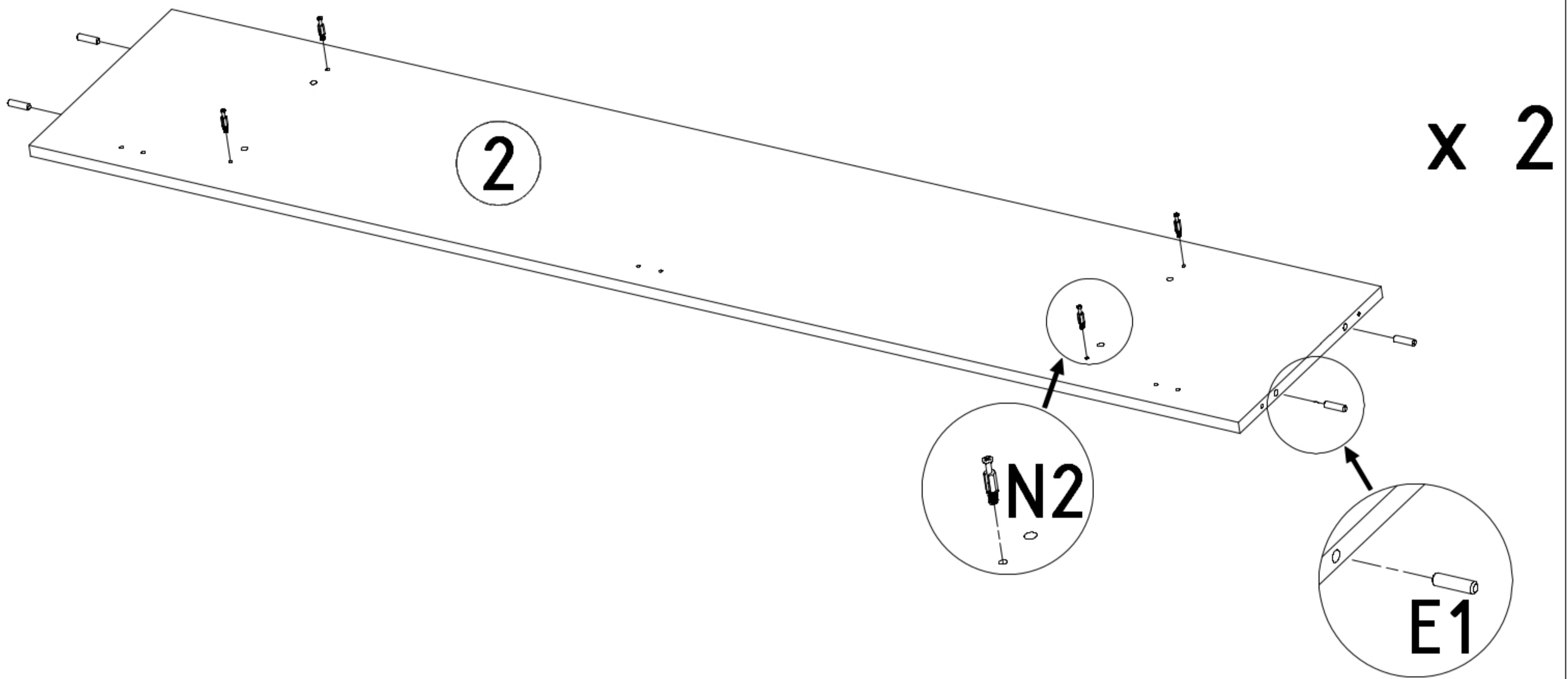
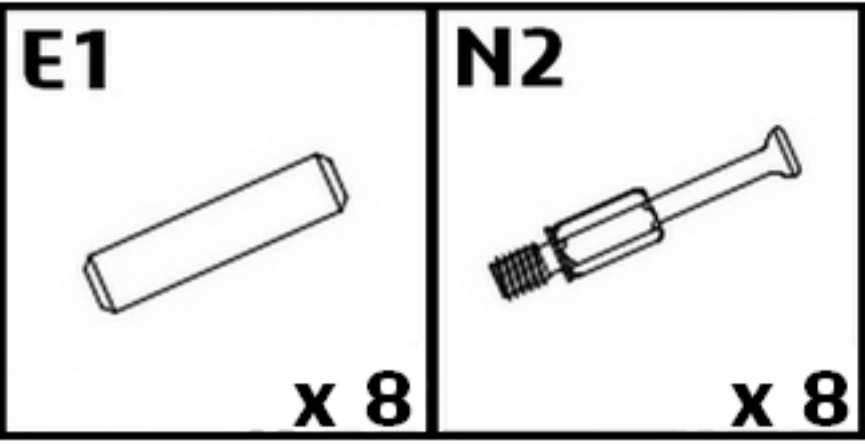


M3  x 4	E1  x 4
---	---

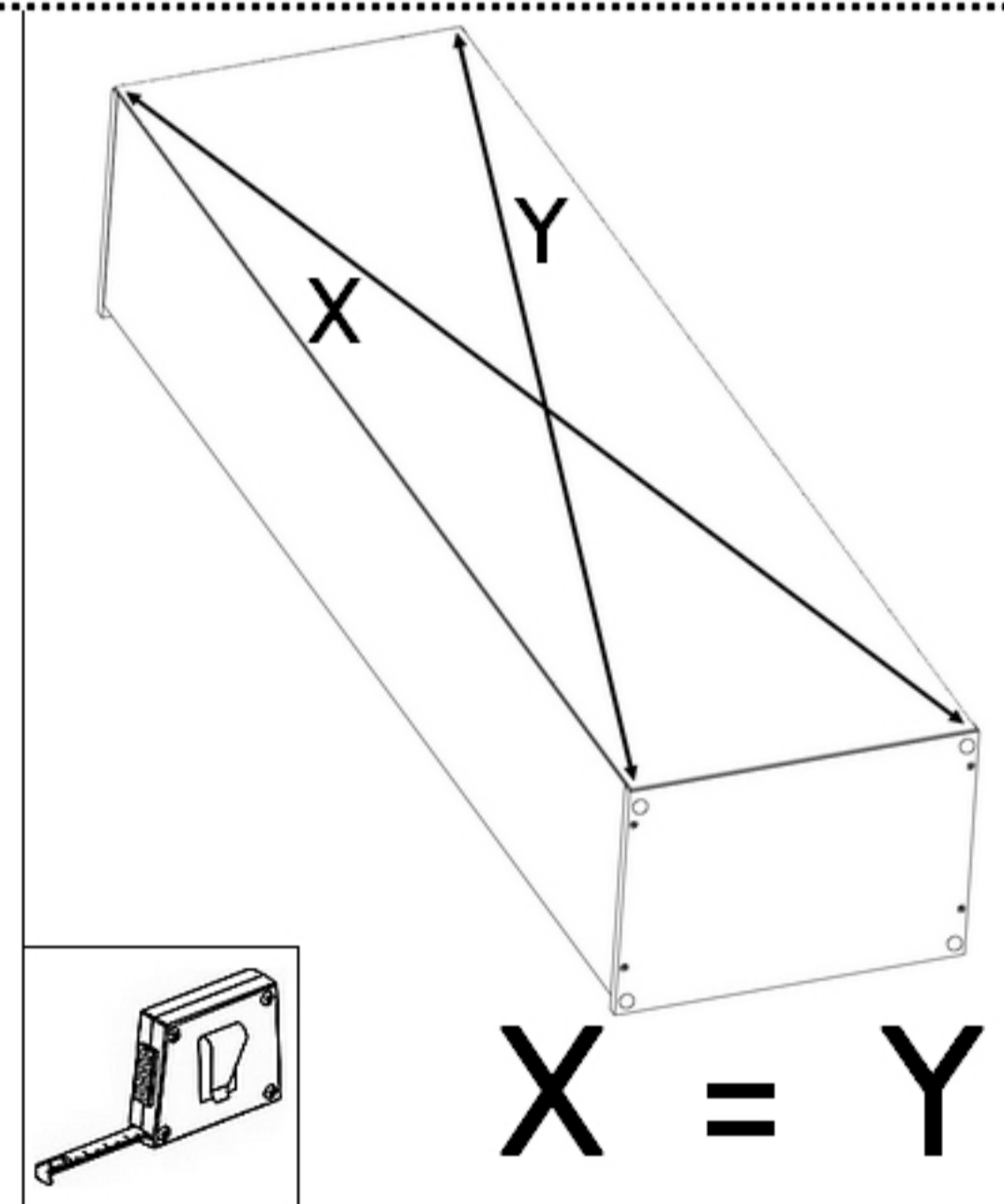
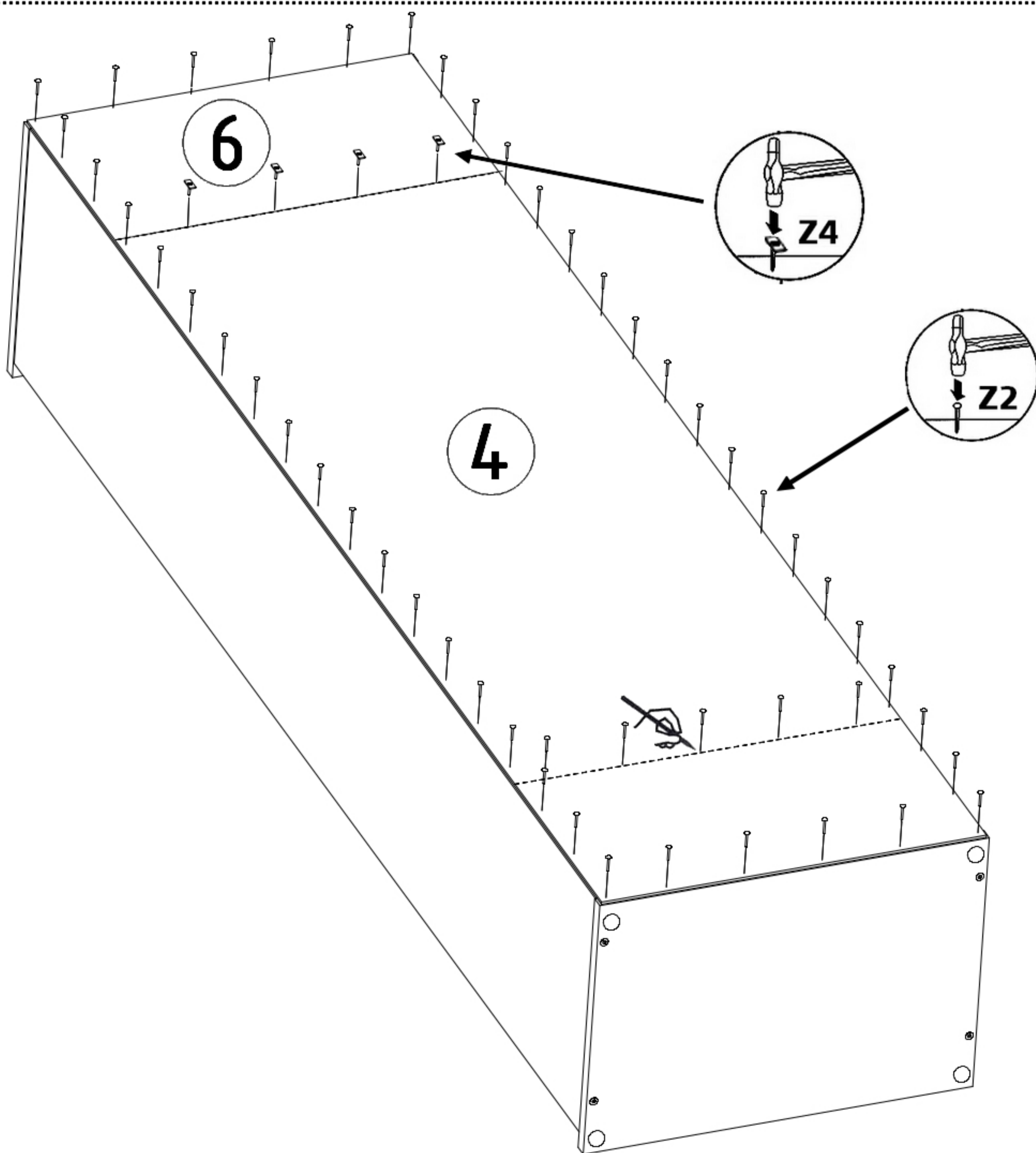
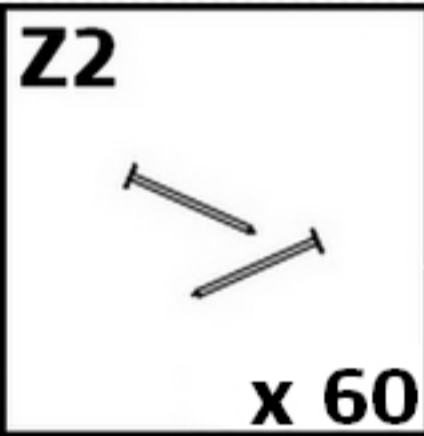
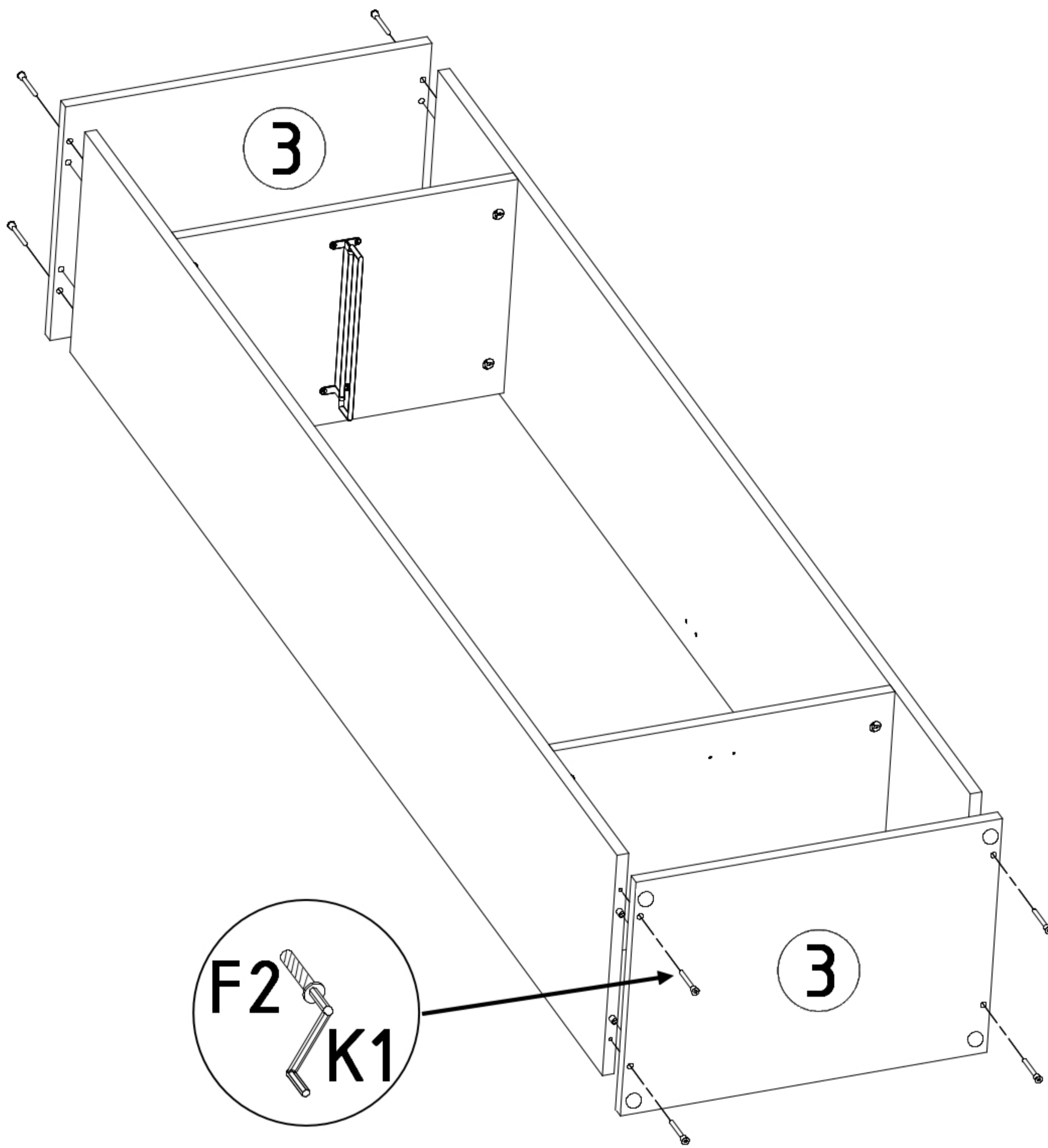
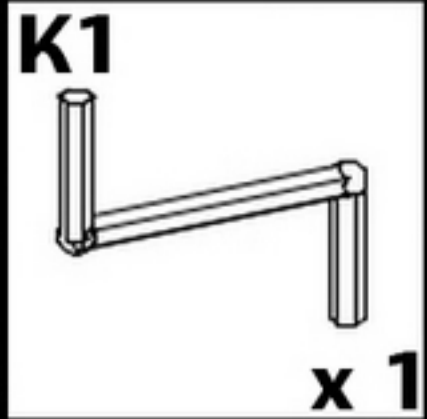
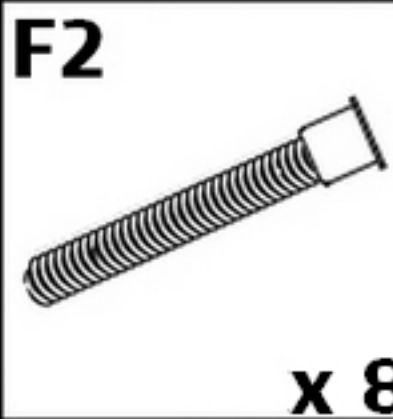



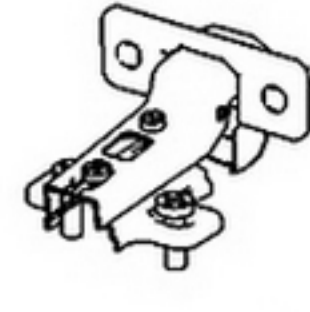
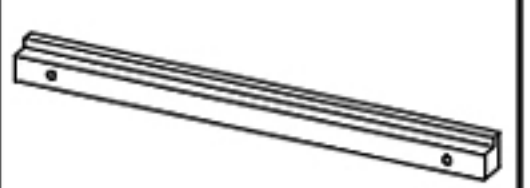

T1  x 4
--





4



S1  x 6	A0  x 3	U6  x 1	S3  x 2
--	--	--	--

