








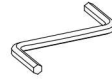
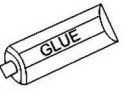


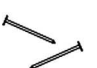



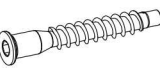


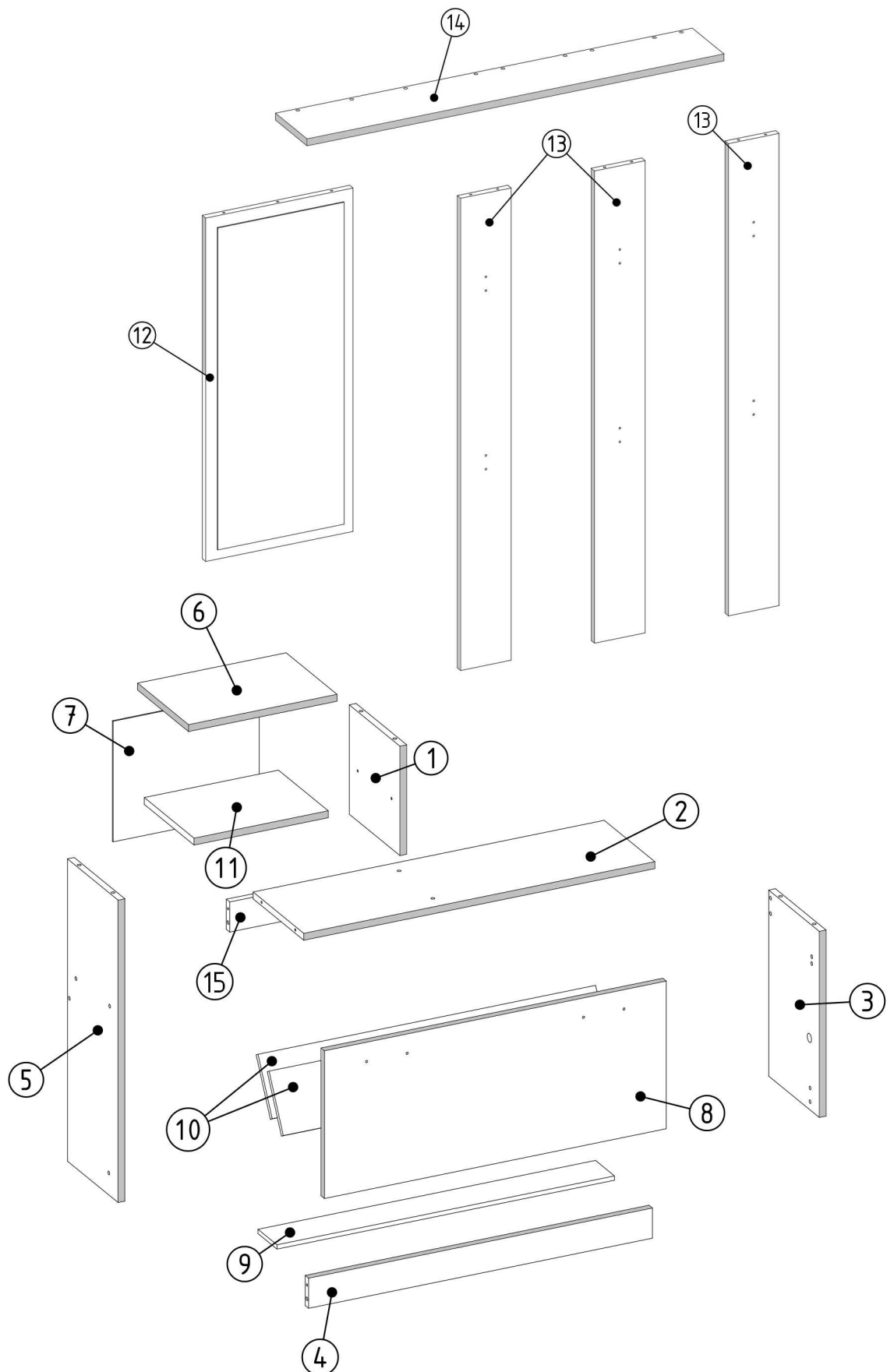
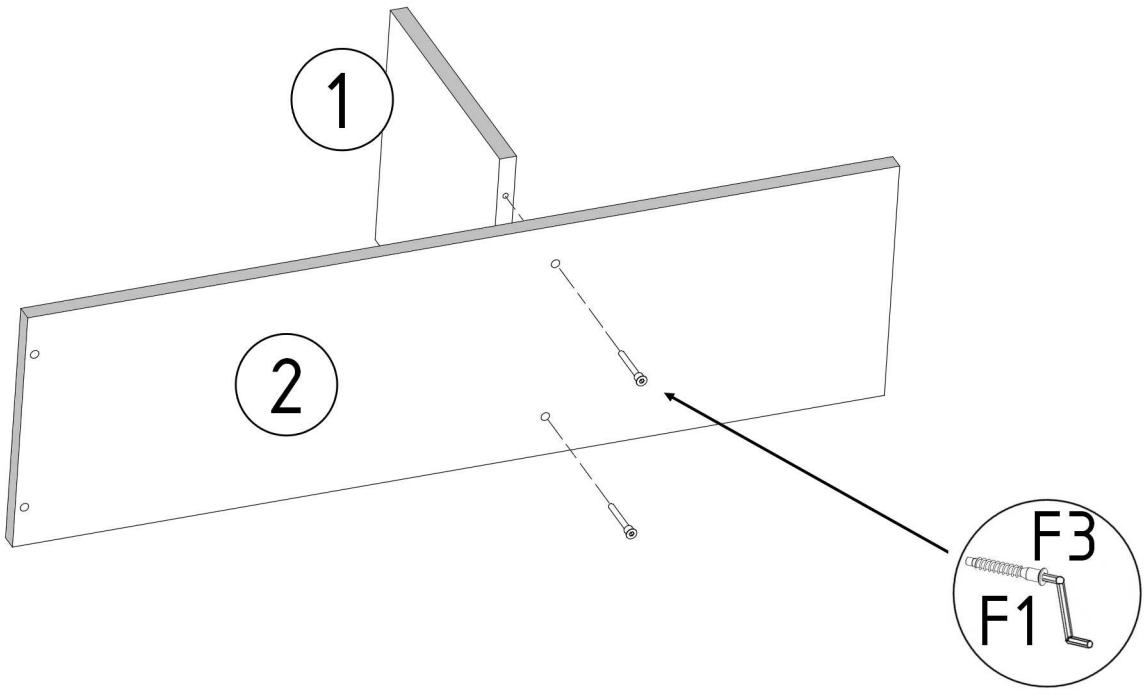
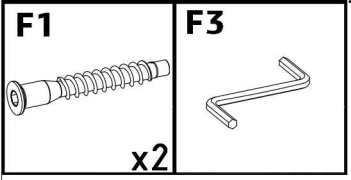
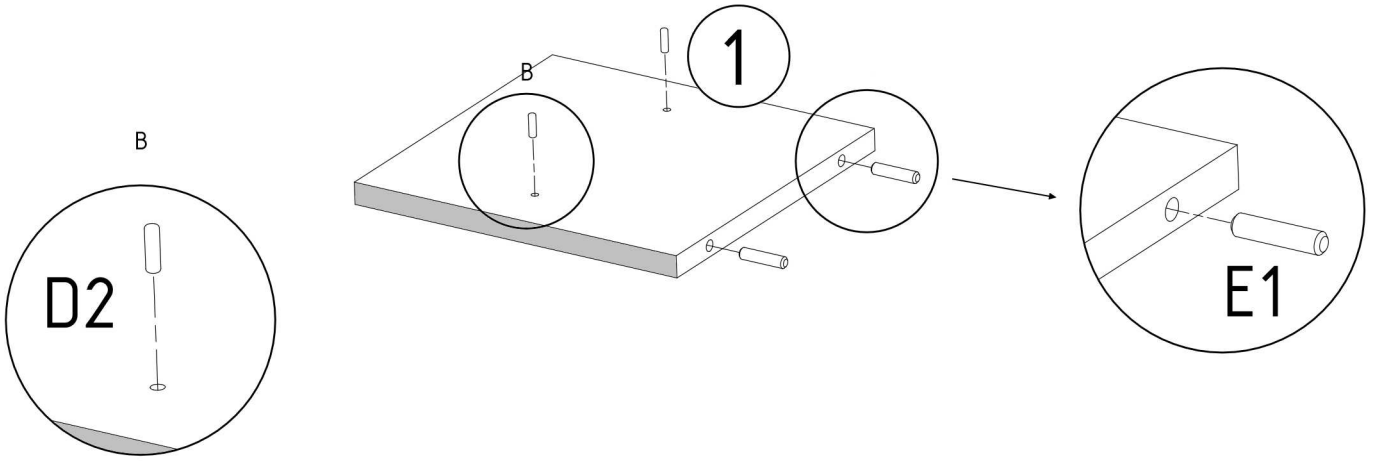
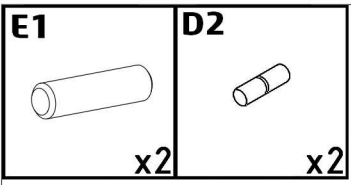





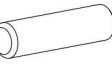
A11  x2	A12  x2	A13  x2	A10  x1	U1  L=137mm x2	P9  4x30mm x4	S3  4x25mm x12	S1  3x20mm x6	E1  6x35mm x10	F3  x1	K1  GLUE x1	D2  5x16mm x4
T1  x4	Z2  x10	L6  L=120mm x3	L5  L=75mm x3	D12  ø34mm x2	F1  7x50mm x17	S15  6x13mm x8	F2  ø12mm x6				




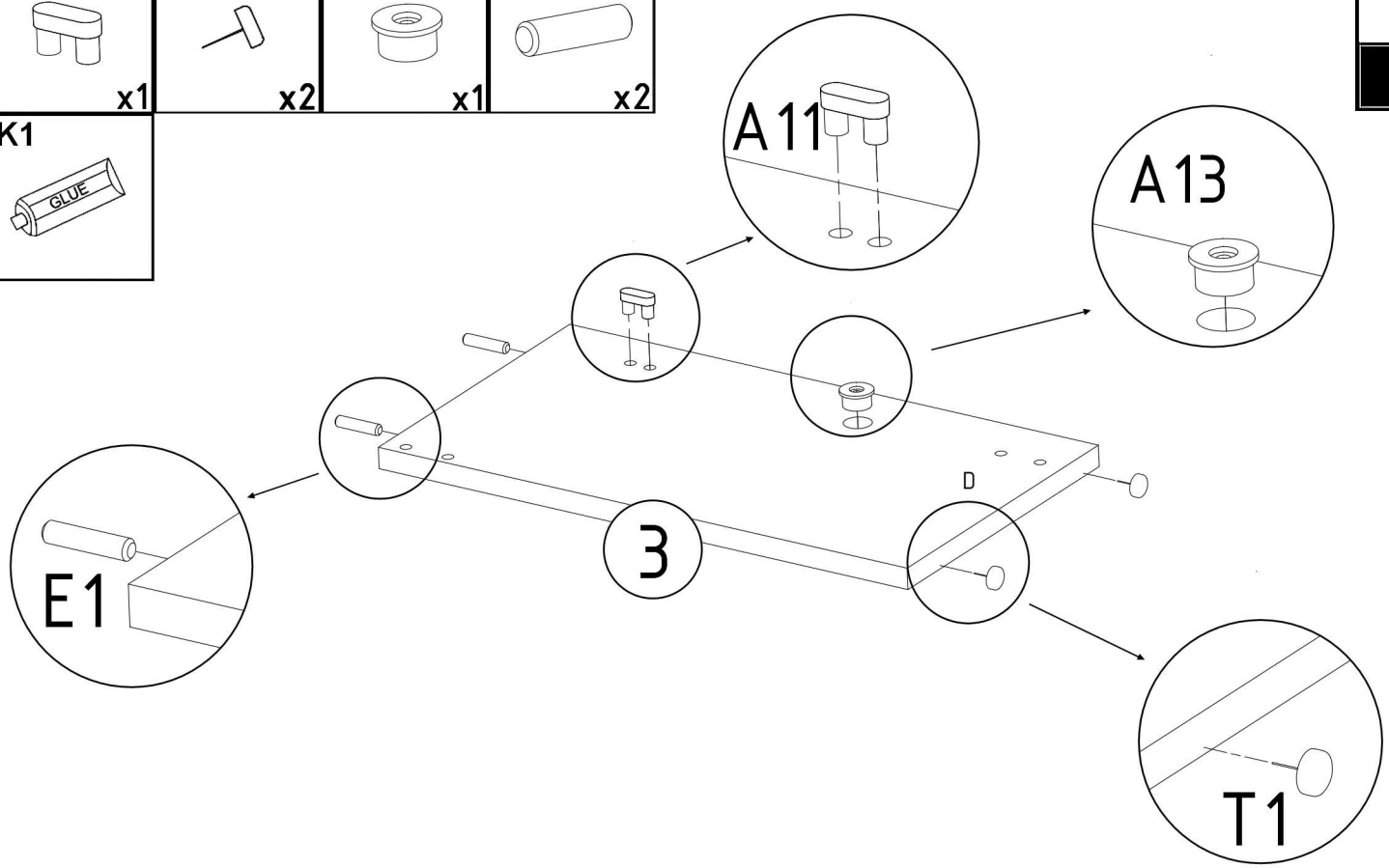
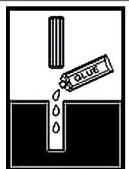
1	x 1
2	x 1
3	x 1
4	x 1
5	x 1
6	x 1
7	x 1
8	x 1


9	x 1
10	x 2
11	x 1
12	x 1
13	x 3
14	x 1
15	x 1

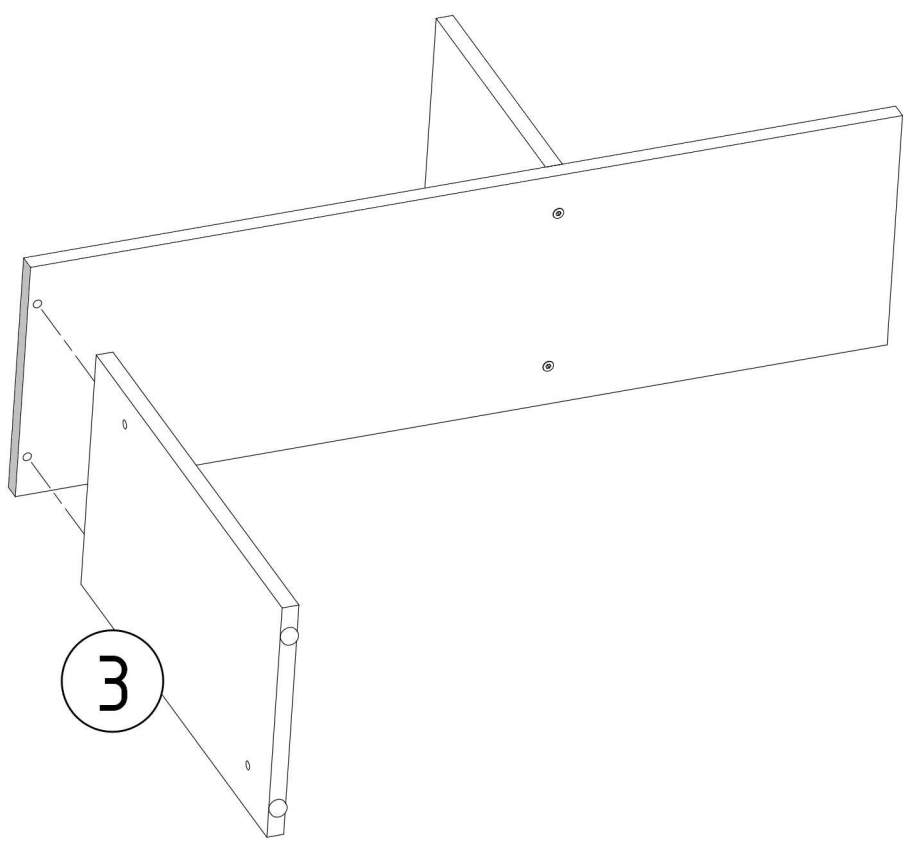
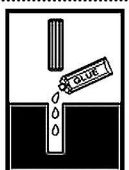


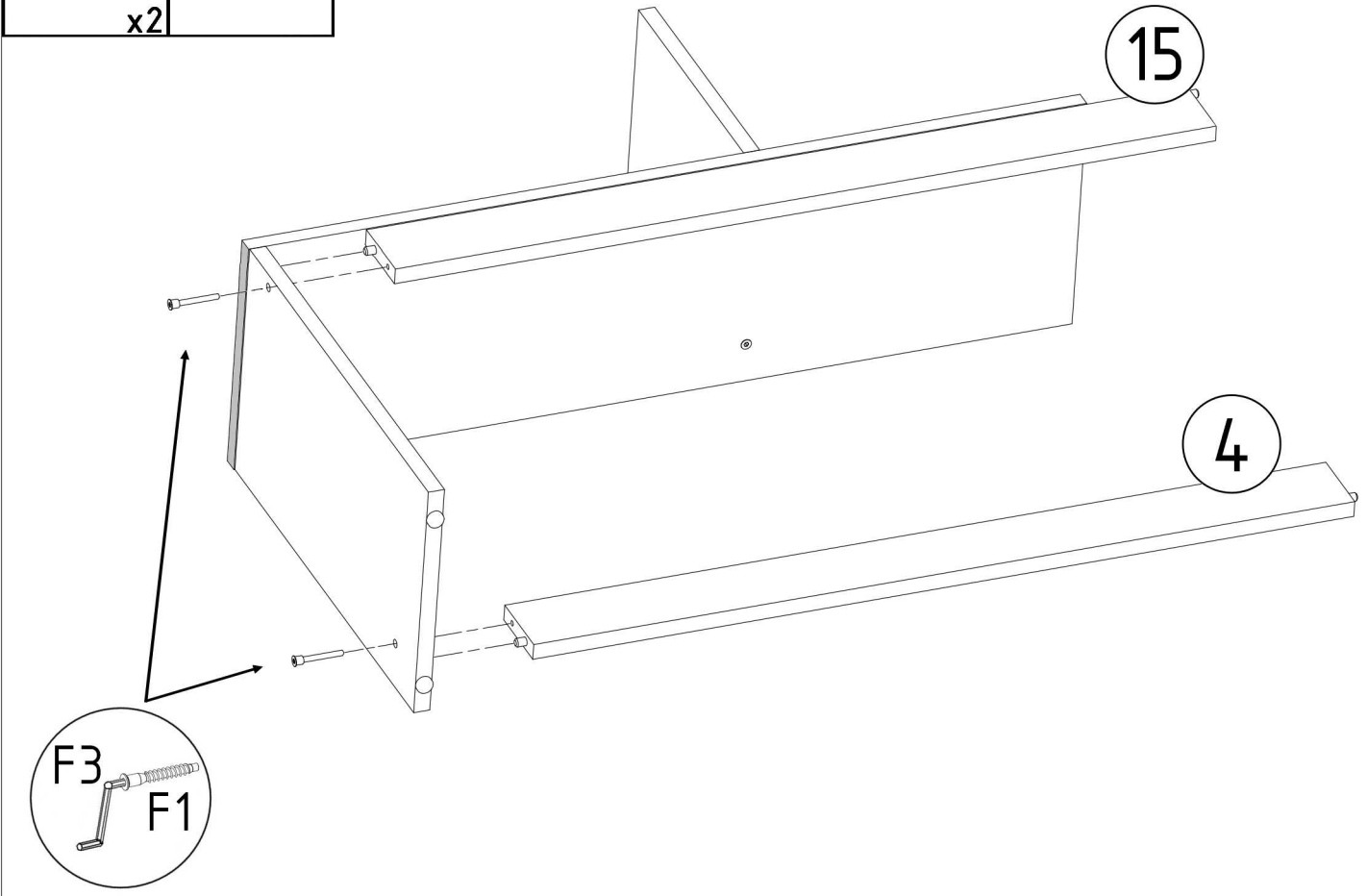
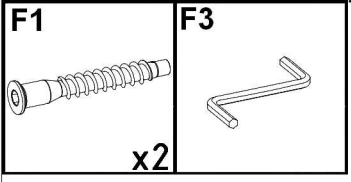
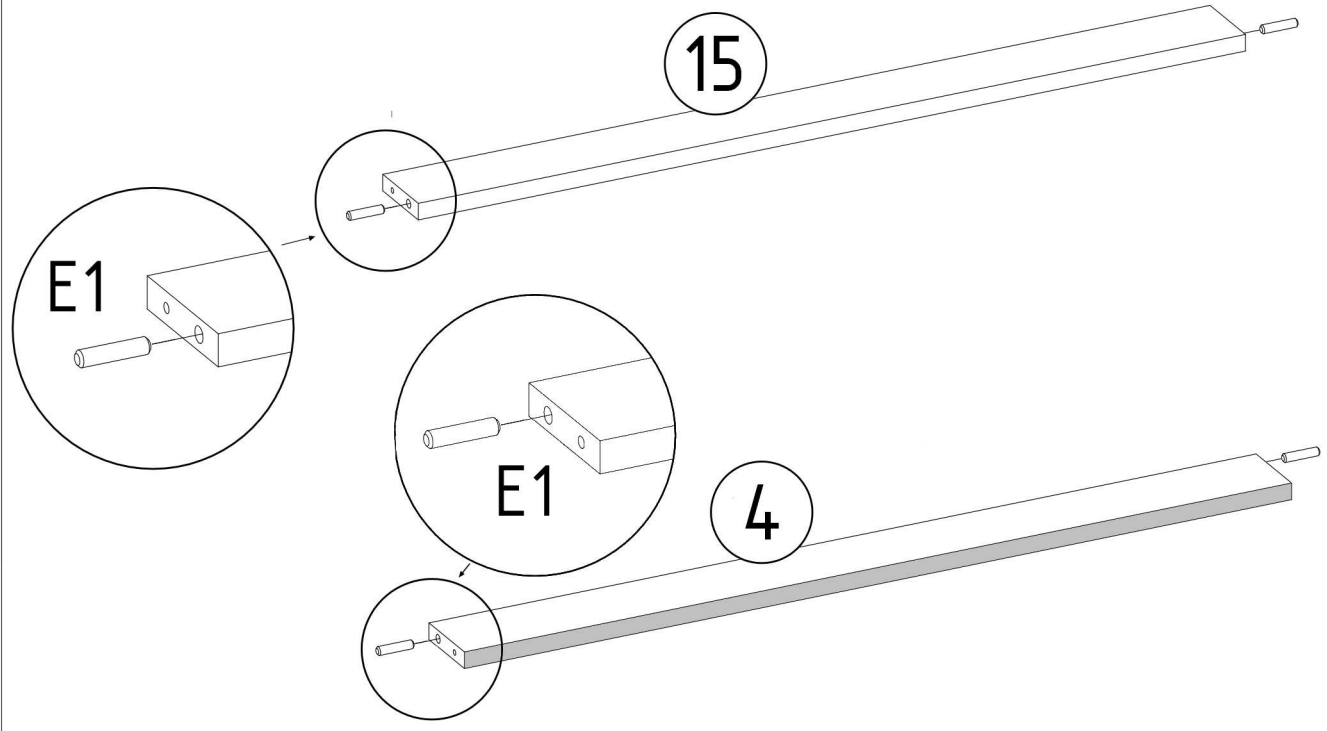
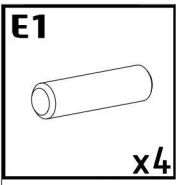
A11  x1	T1  x2	A13  x1	E1  x2
--	--	---	--




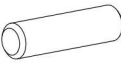

K1


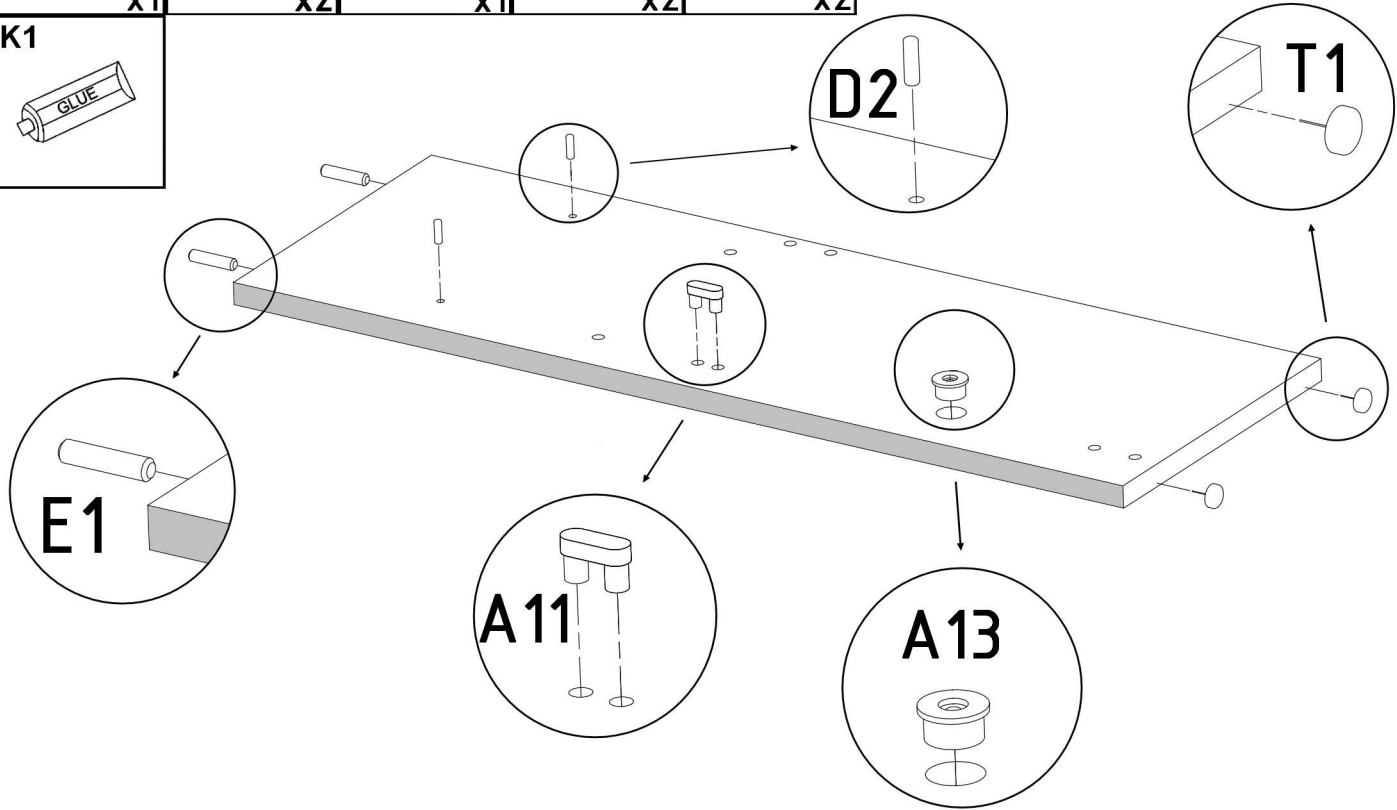
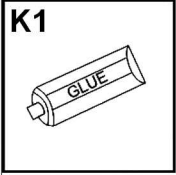
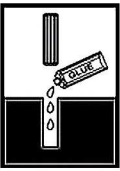


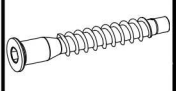
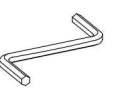
K1


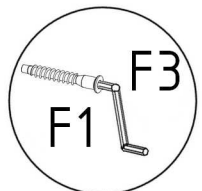
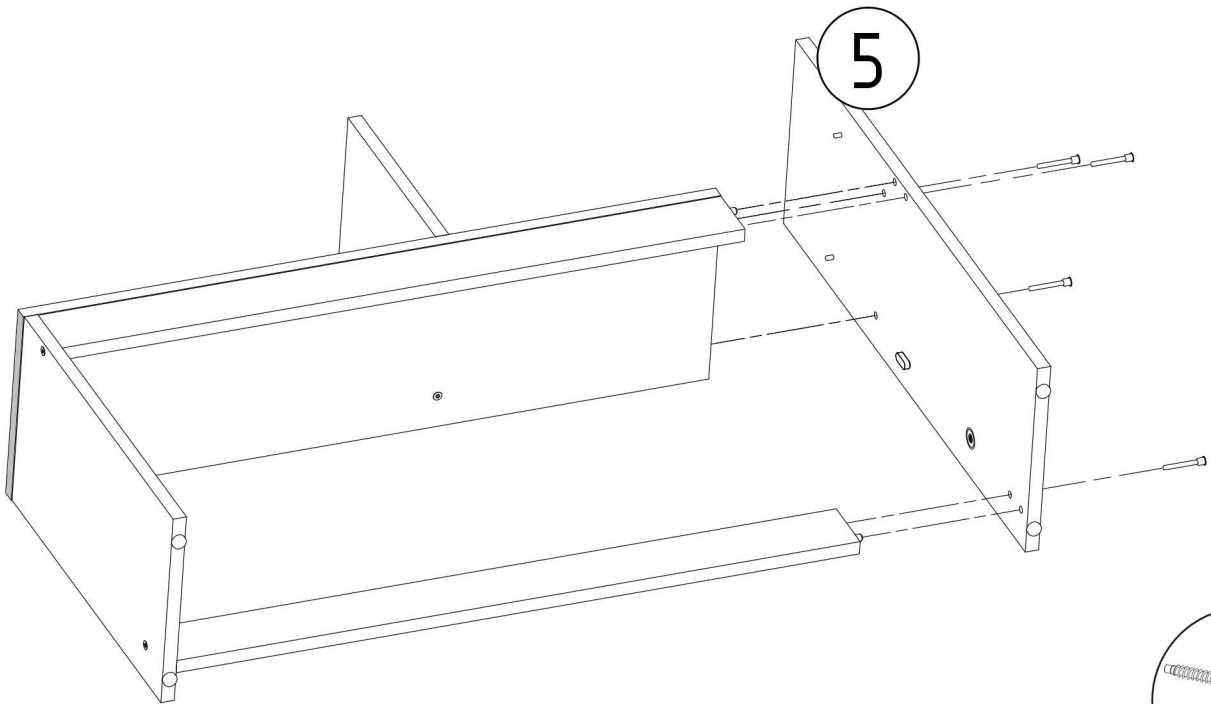


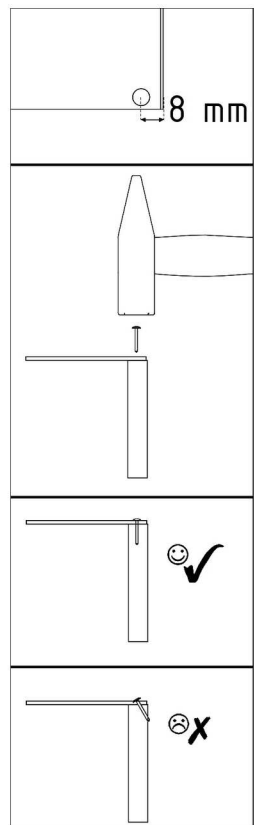
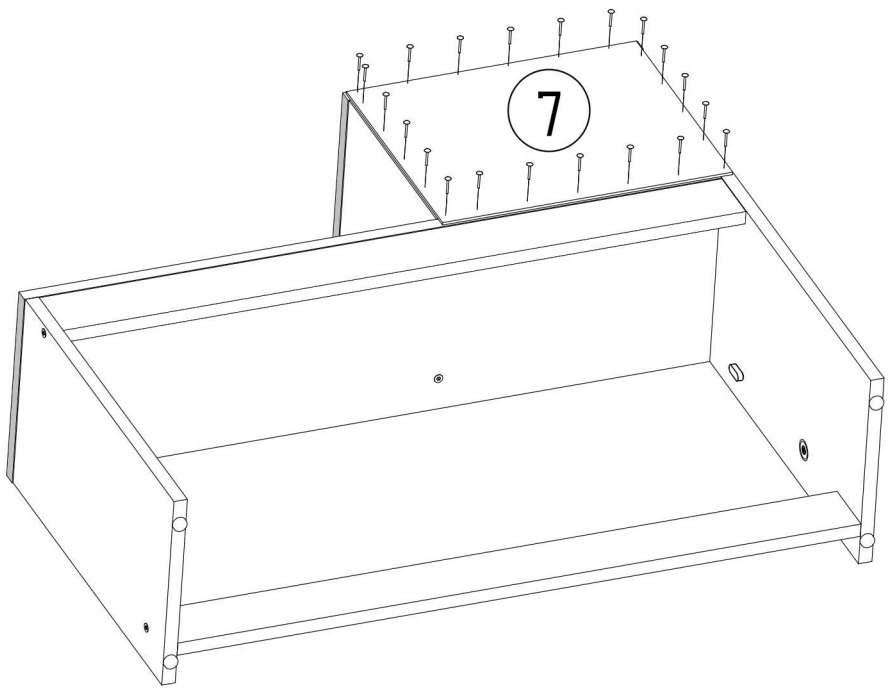
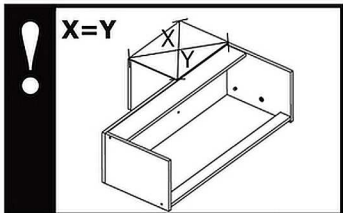
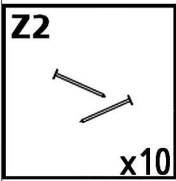
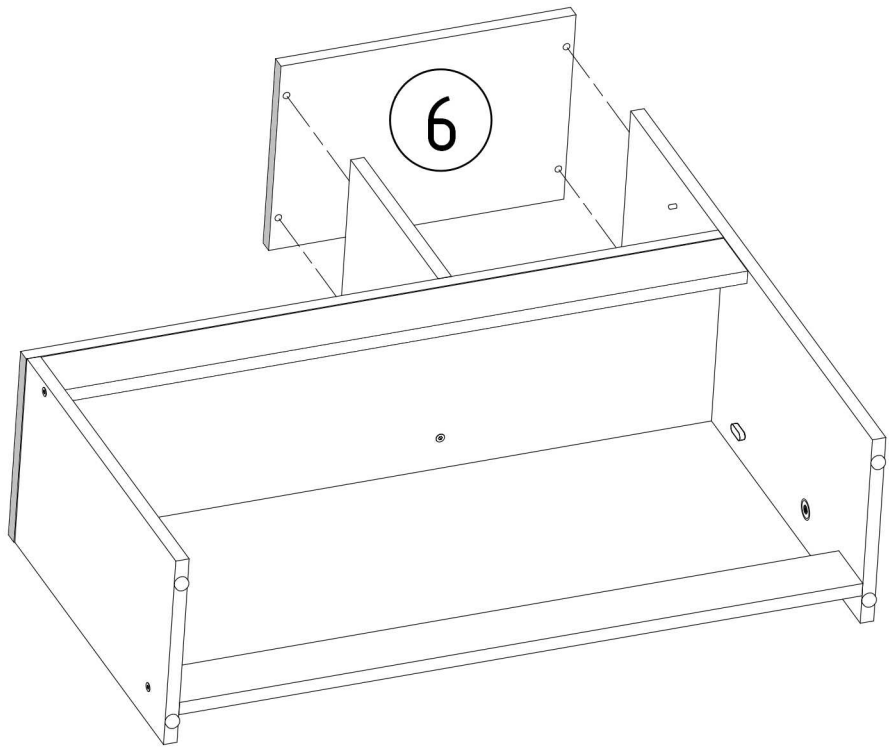
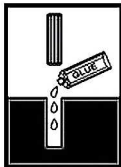
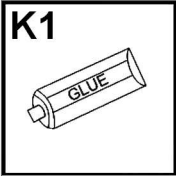




A11  x1	T1  x2	A13  x1	E1  x2	D2  x2
--	--	---	--	--



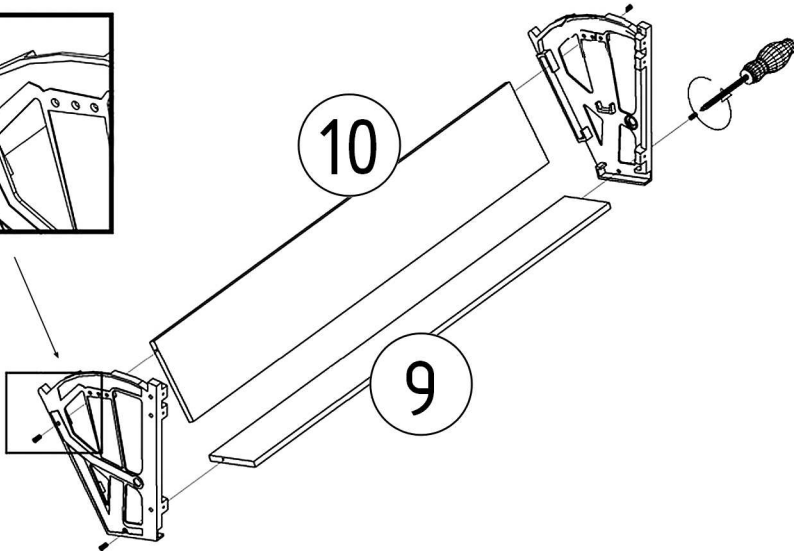
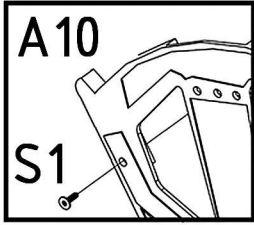
F1  x4	F3 
---	--

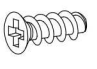


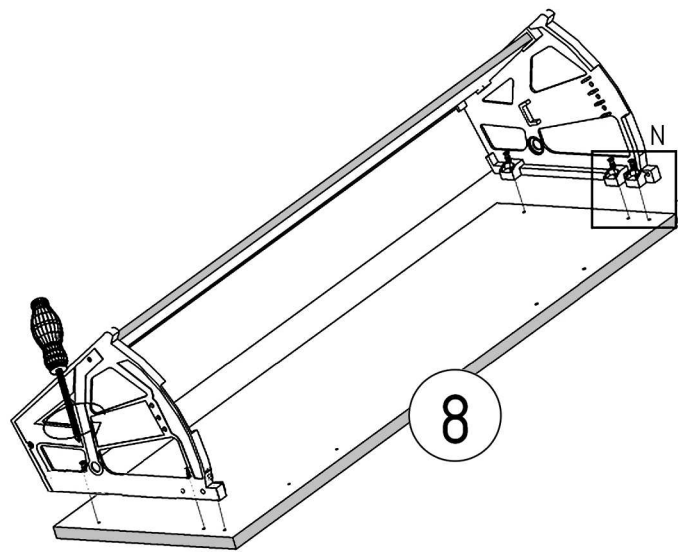


S1  x4	A10  x1
---	---

A10
S1



S15  x6
--



N

S15

