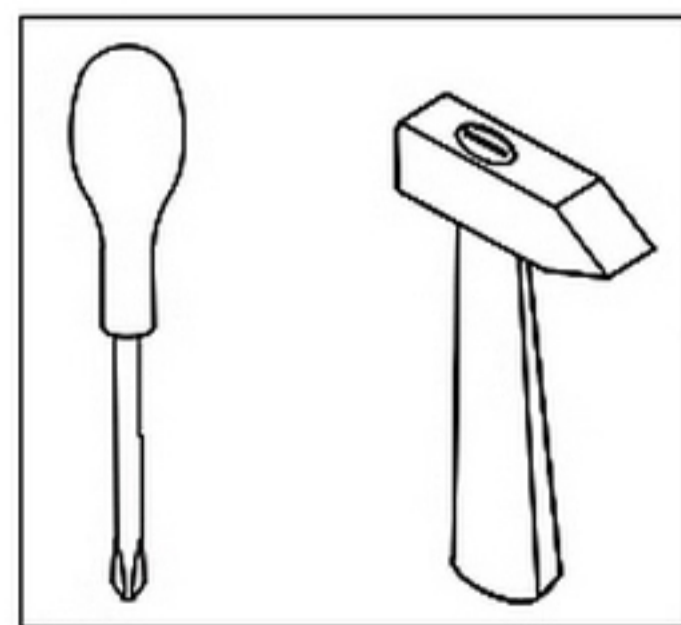
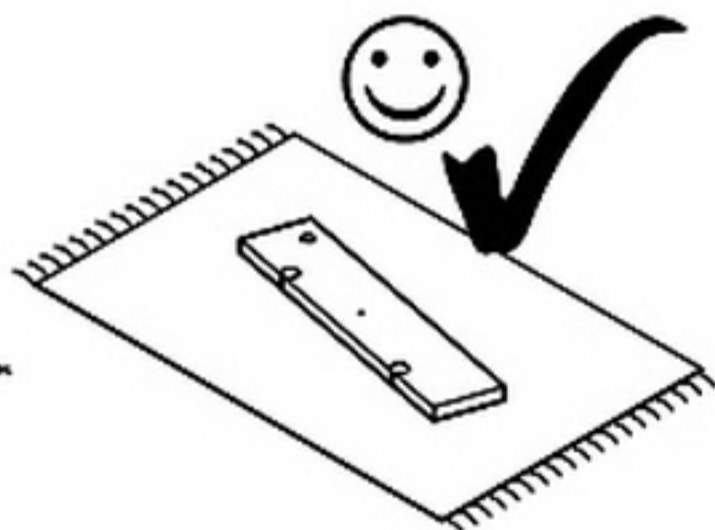
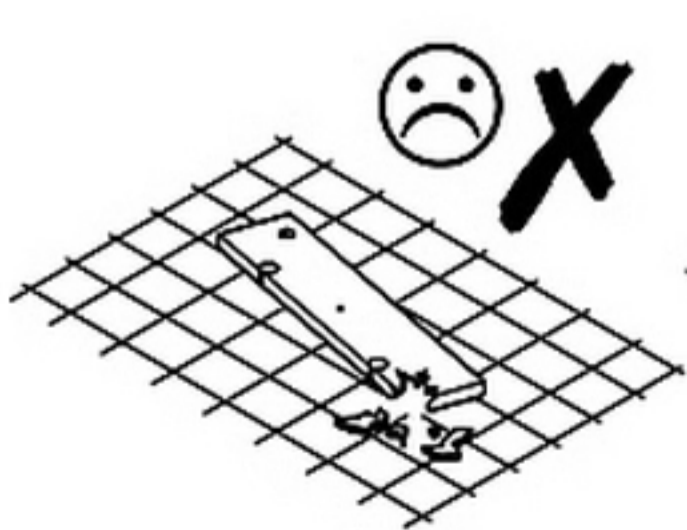
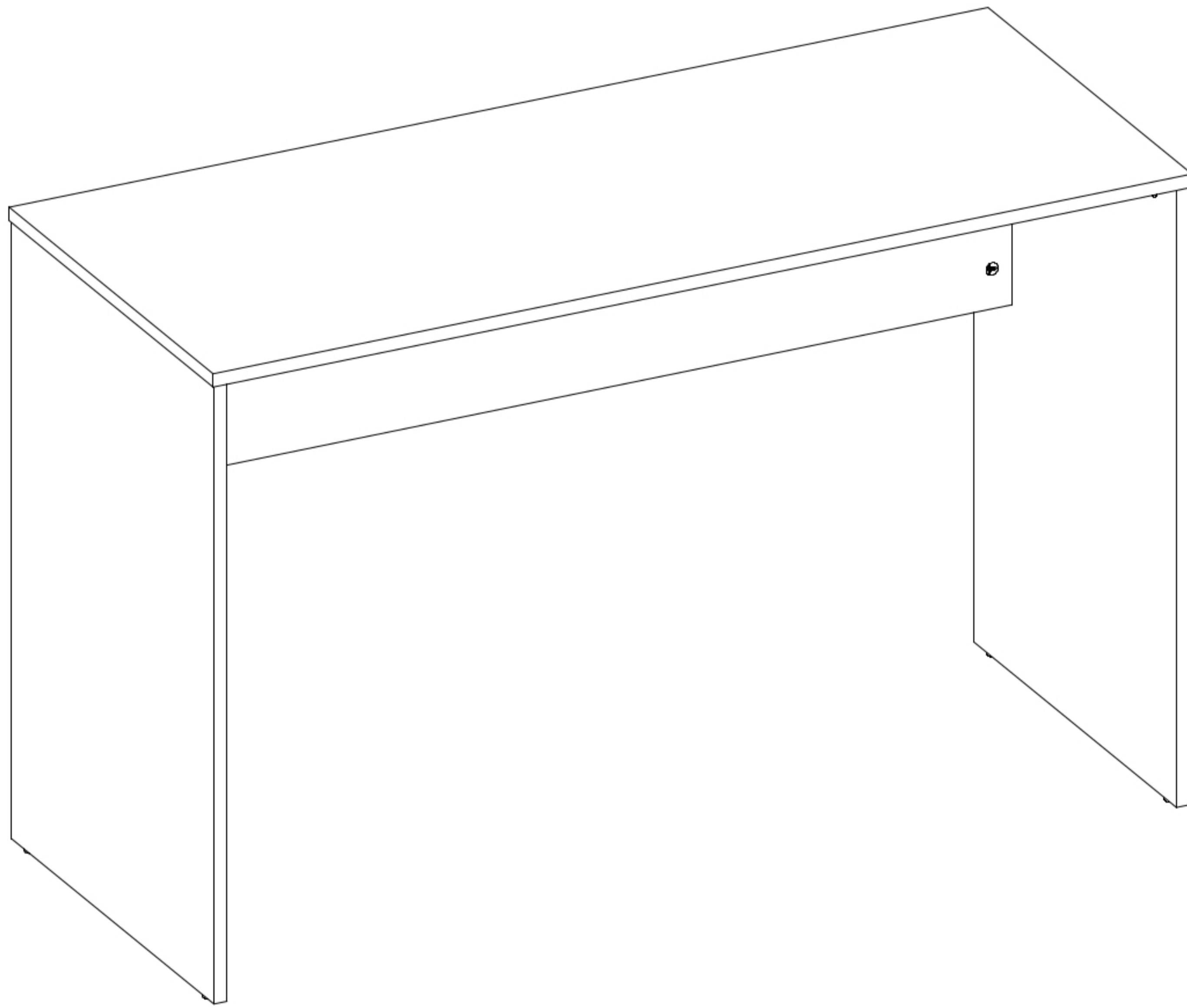
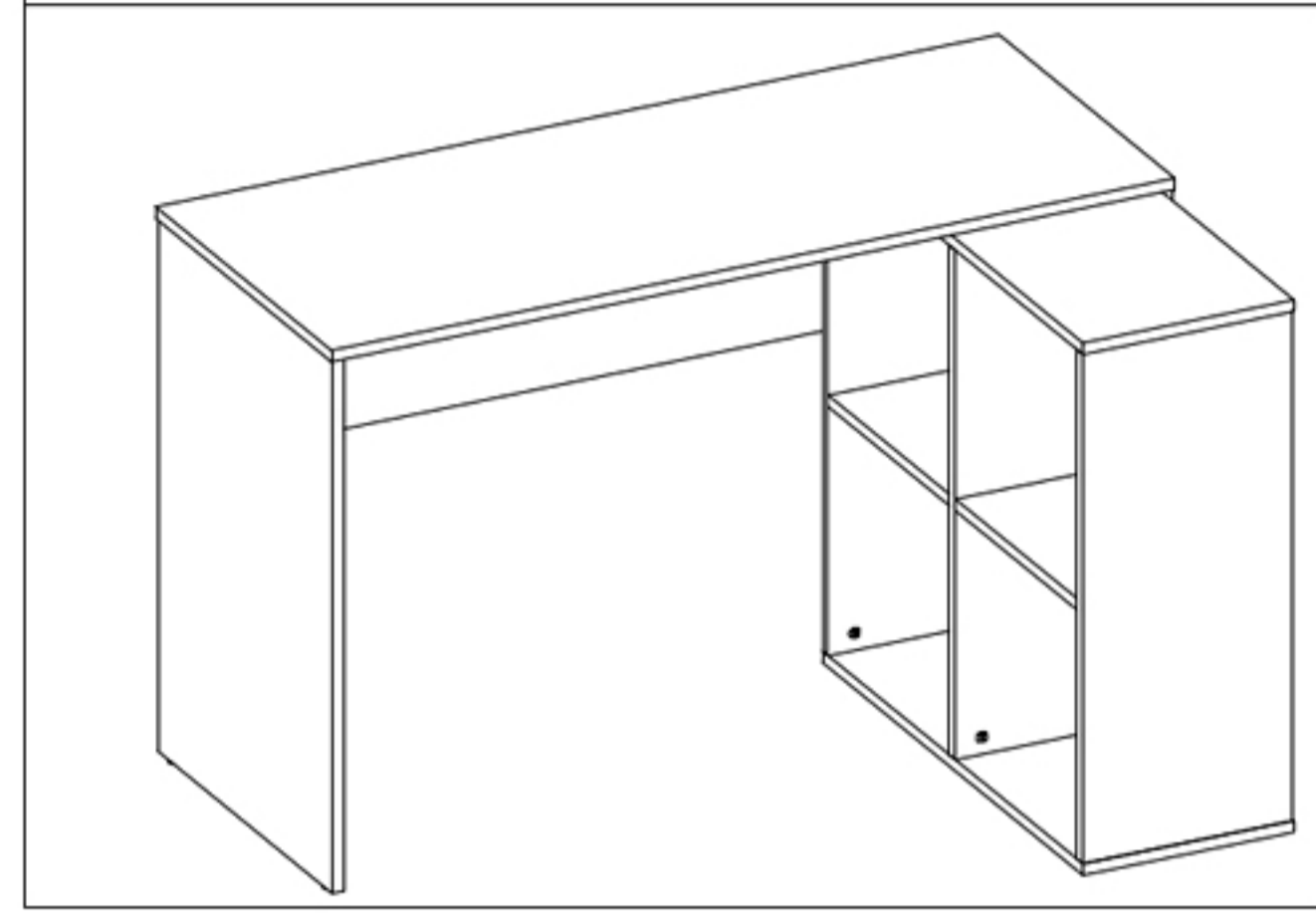
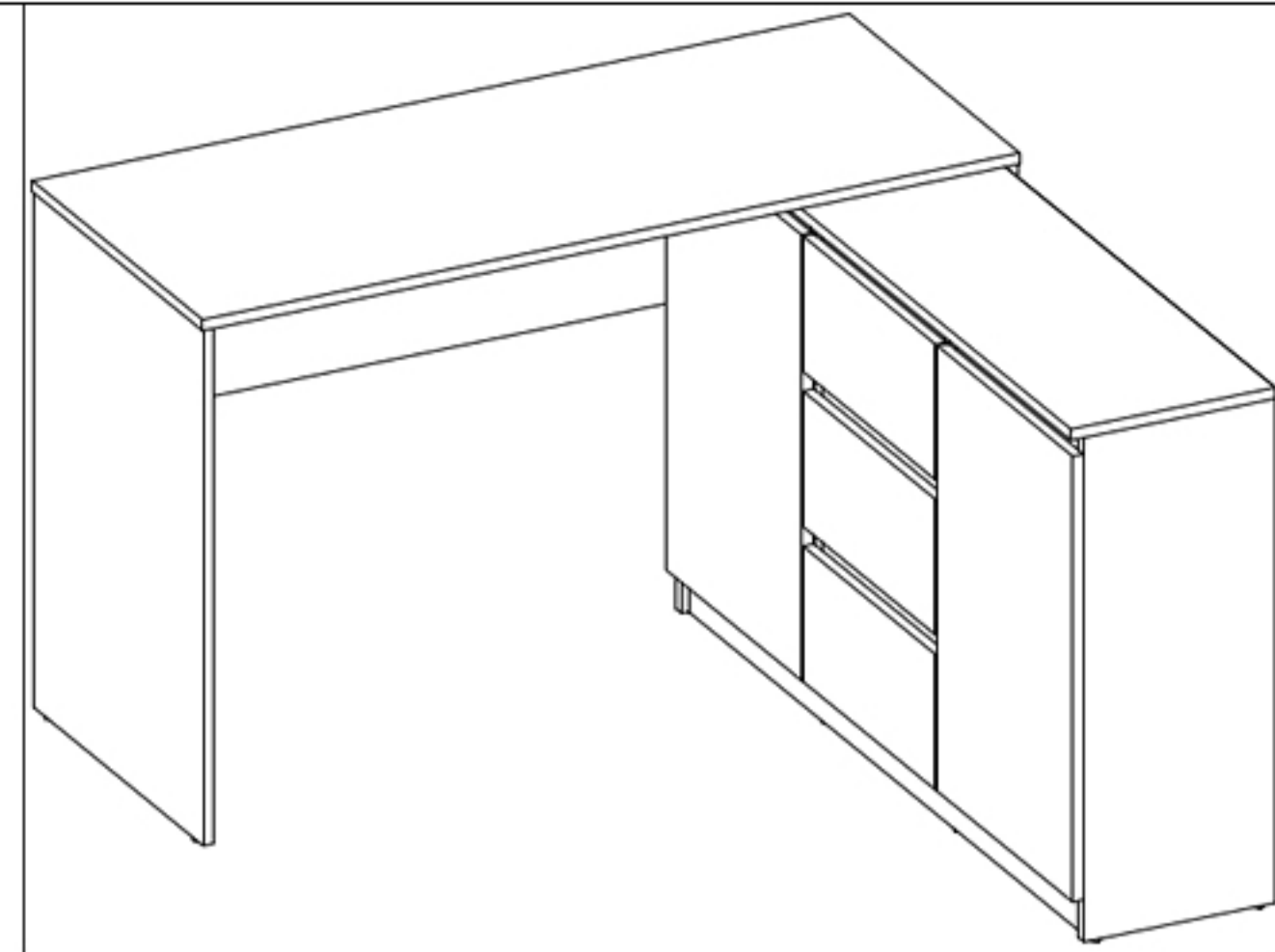
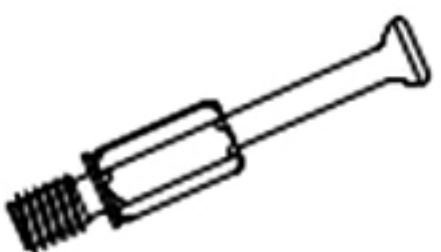




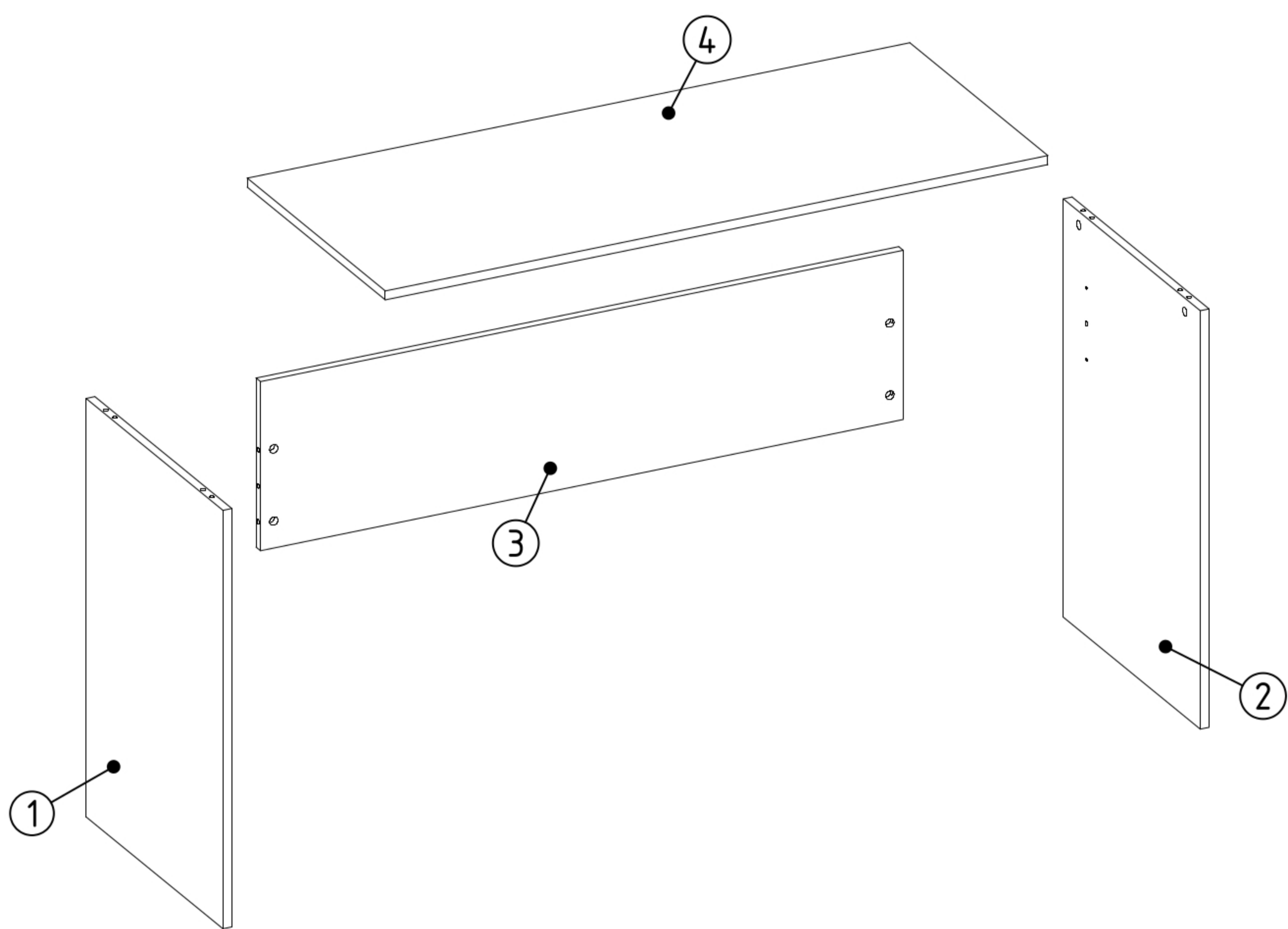


17/11/2021

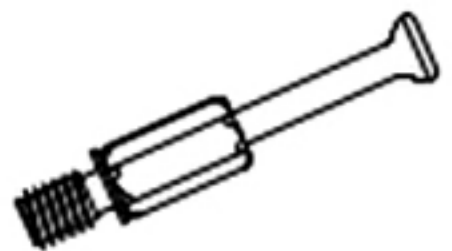

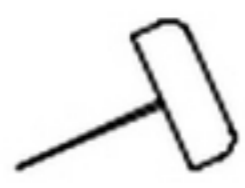

PLUS

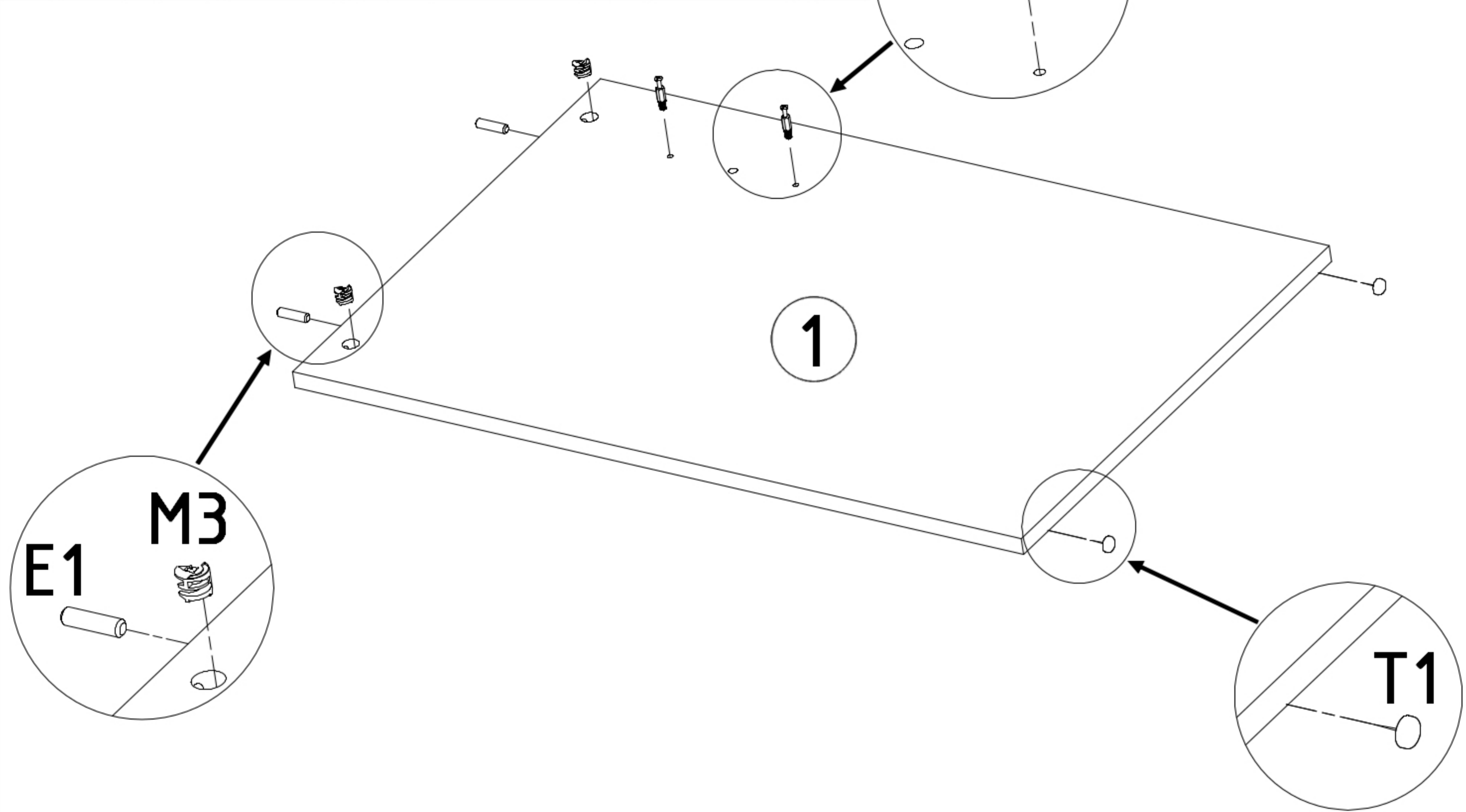






N2  L=35mm x 8	E1  8x30mm x 6	M3  12x15mm x 8	M2  ø17mm x 8	T1  x 4
--	---	--	---	--

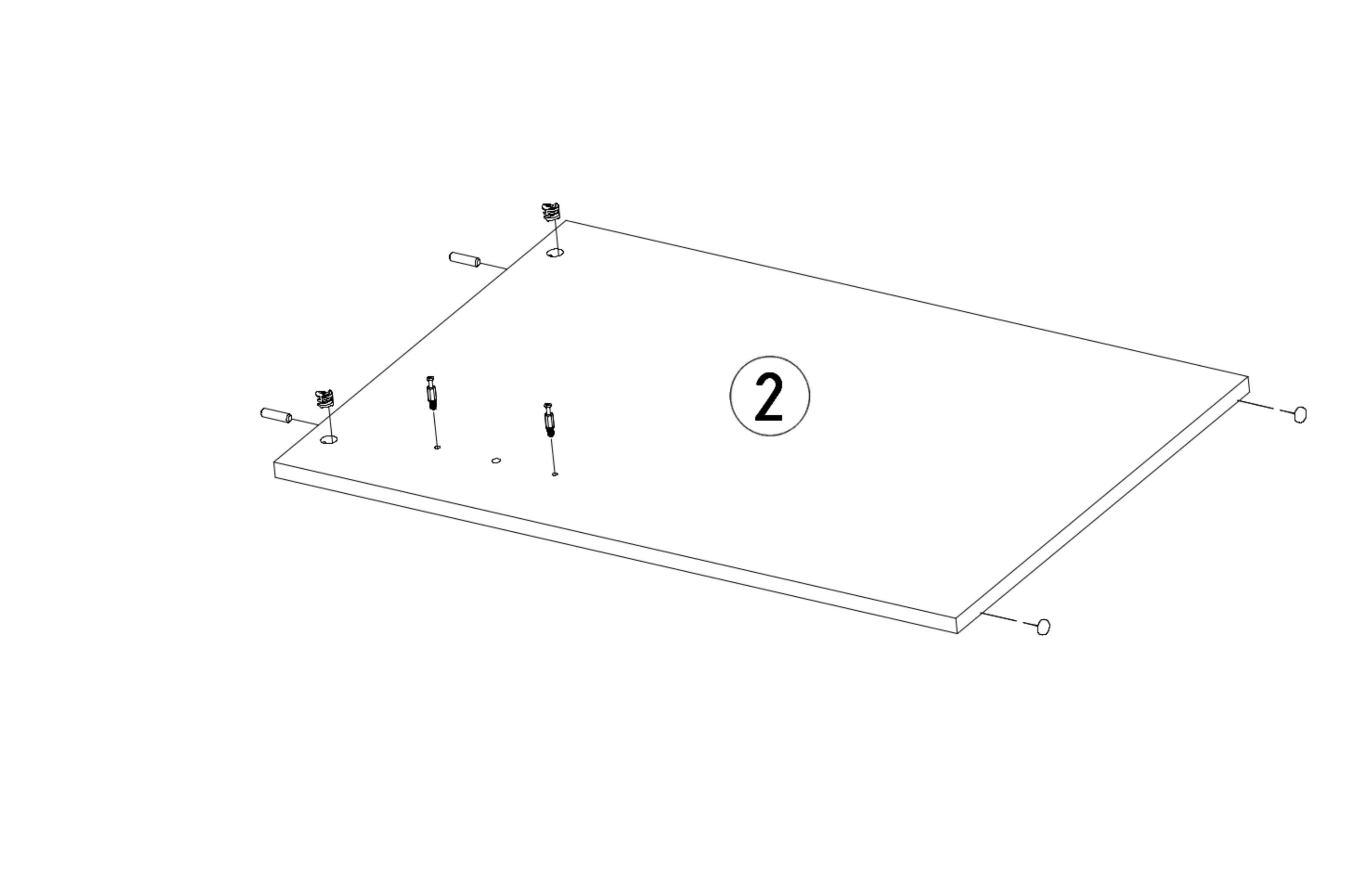




1	x	1
2	x	1
3	x	1
4	x	1

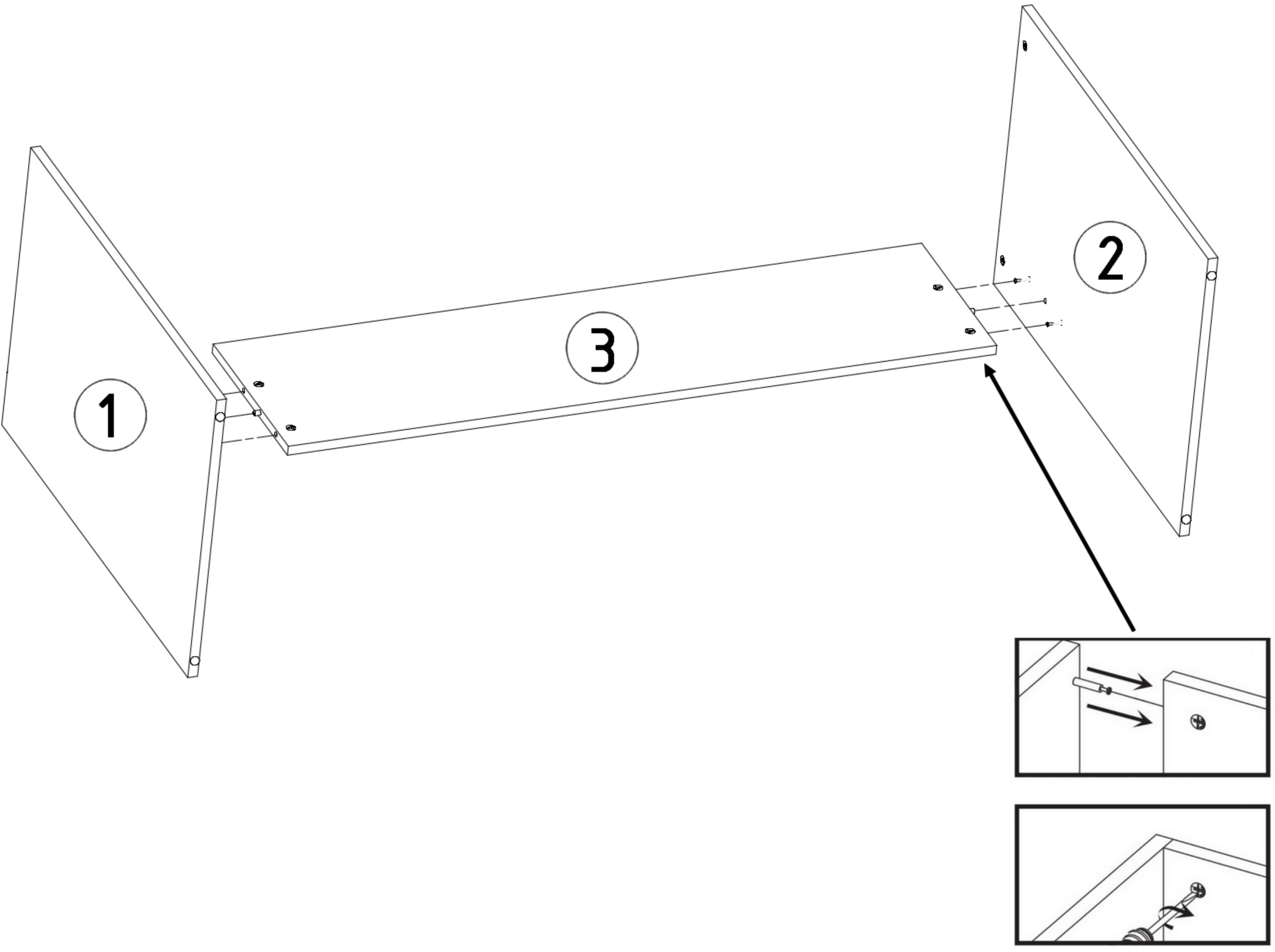
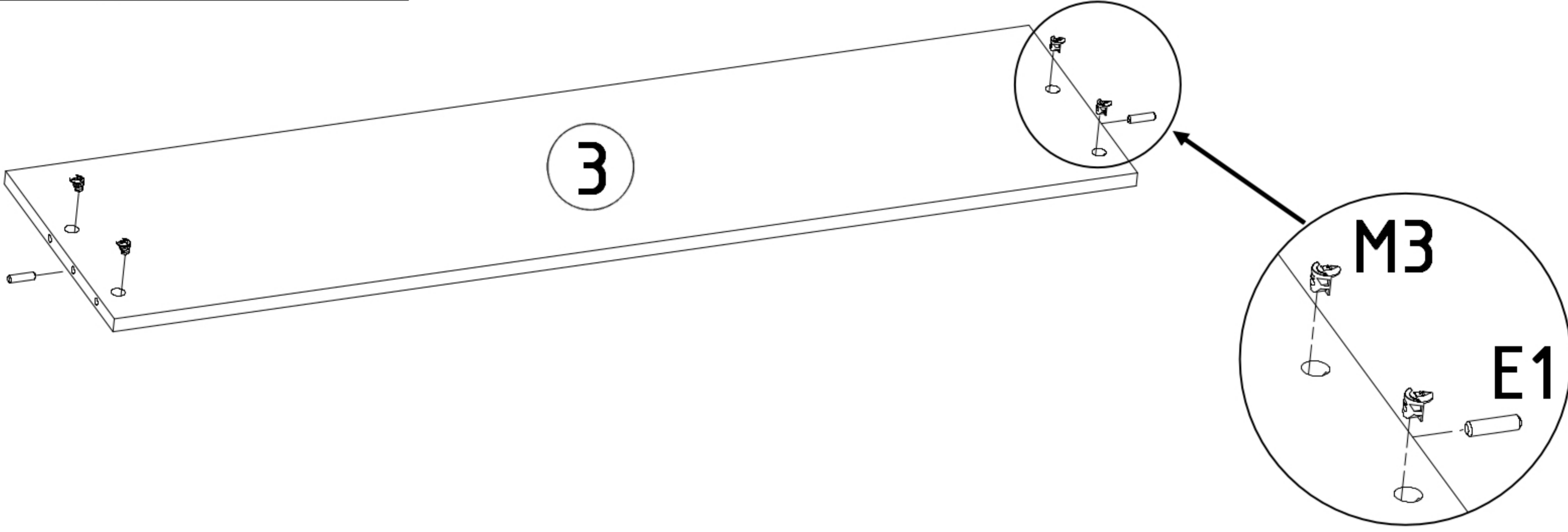
N2  x 2	E1  x 2	T1  x 2	M3  x 2
--	---	---	--



N2  x 2	E1  x 2	T1  x 2	M3  x 2
--	---	---	--



E1  x 2	M3  x 4
---	--



4

