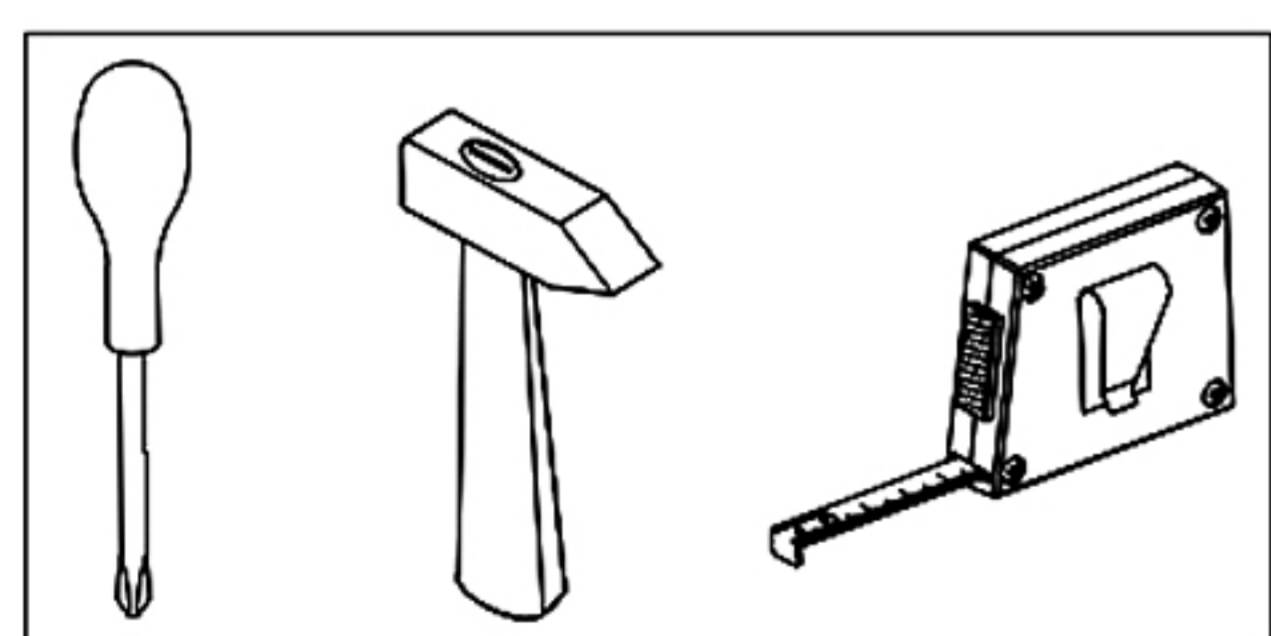
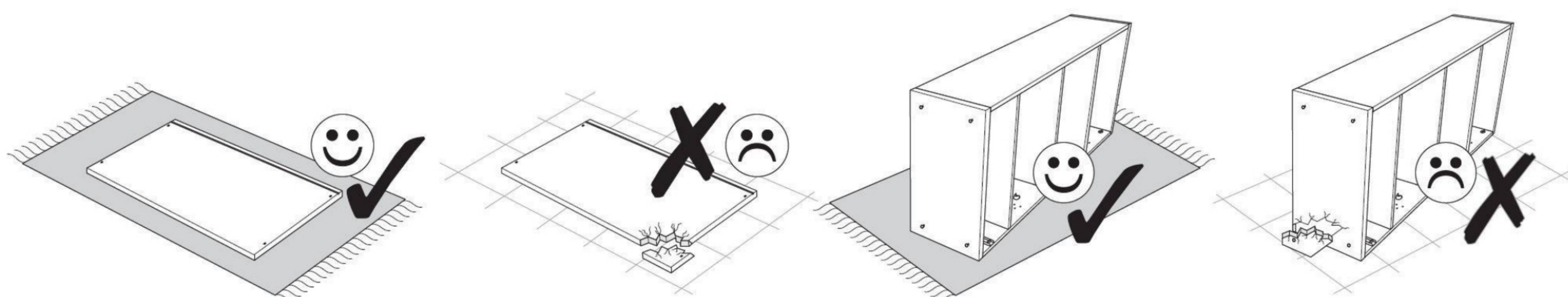
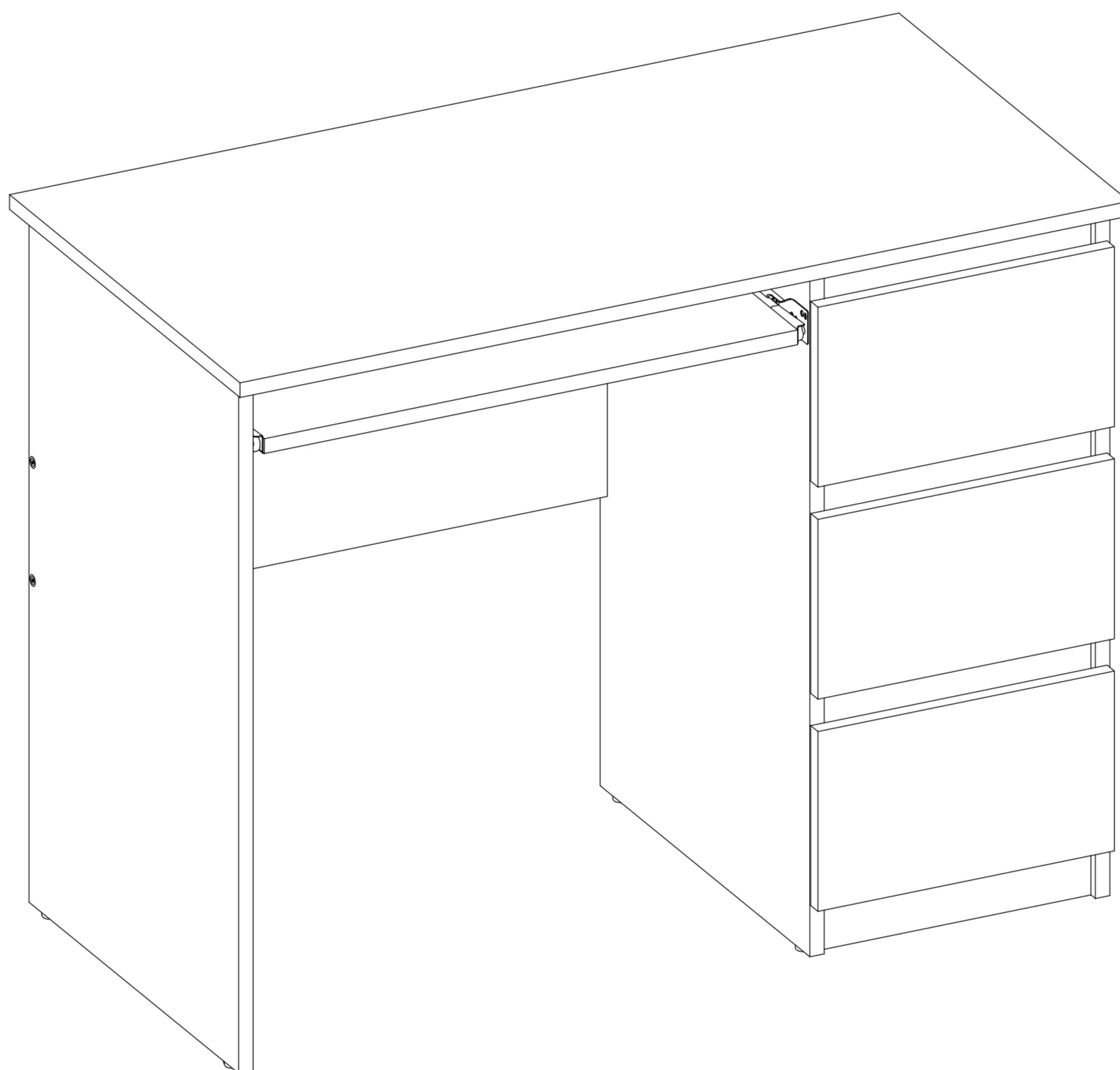
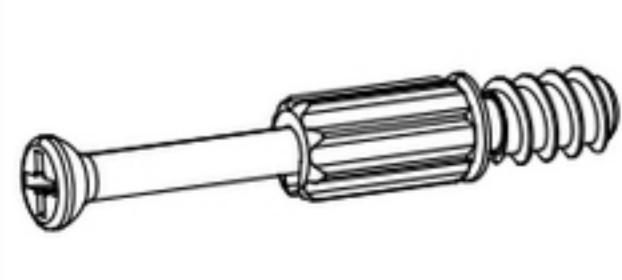
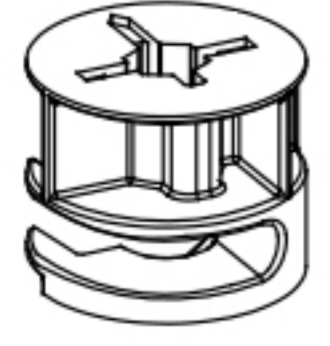
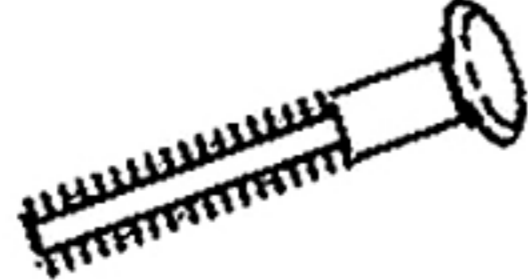


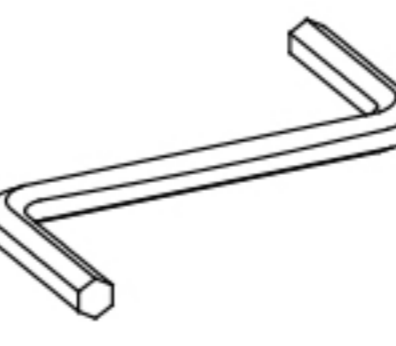






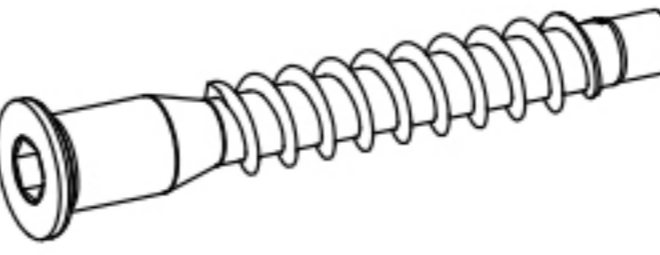
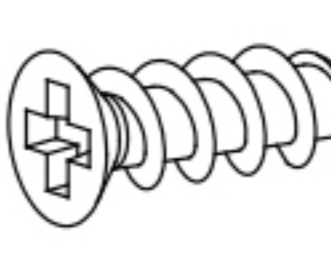

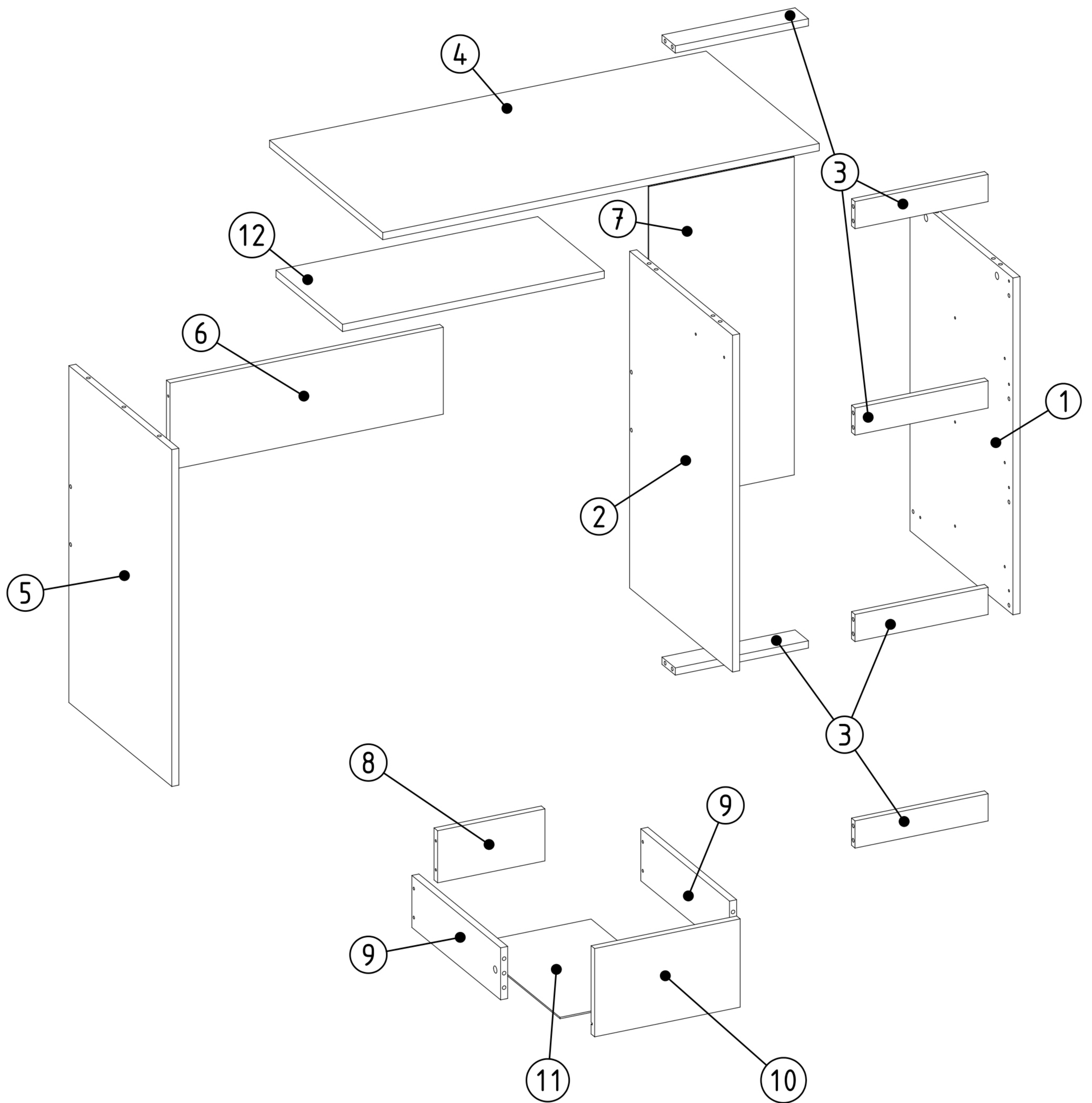


22/10/2020

LIMA 3S P

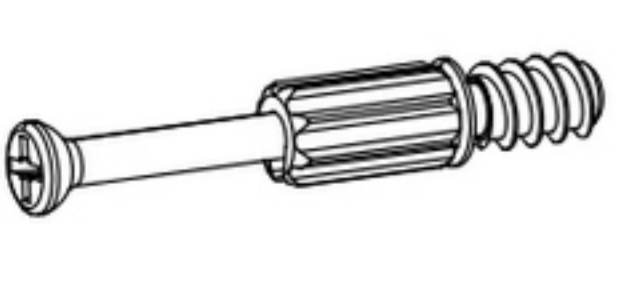
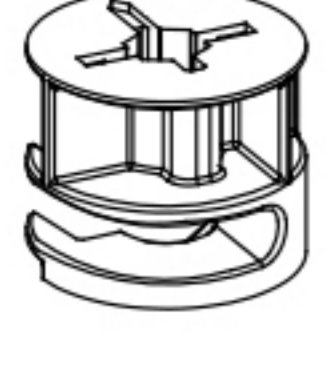
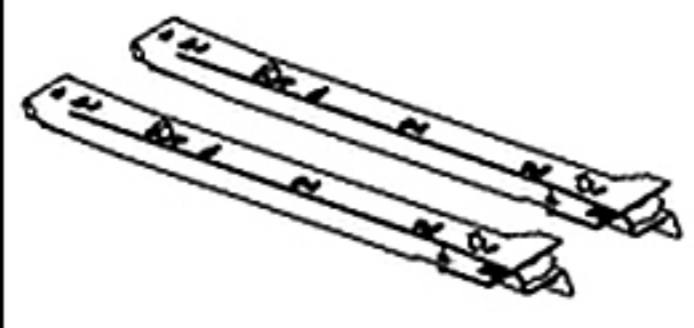
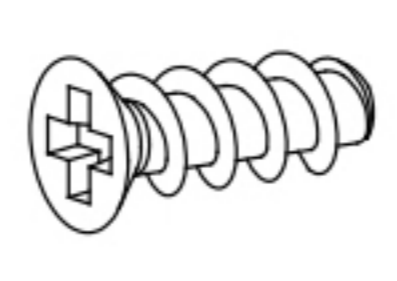
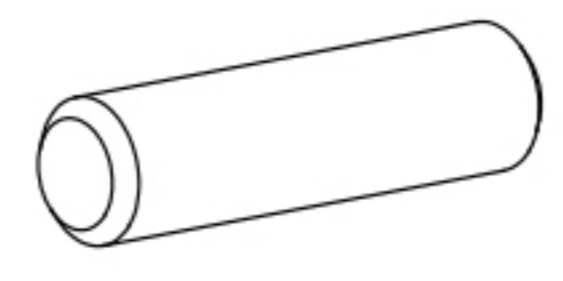



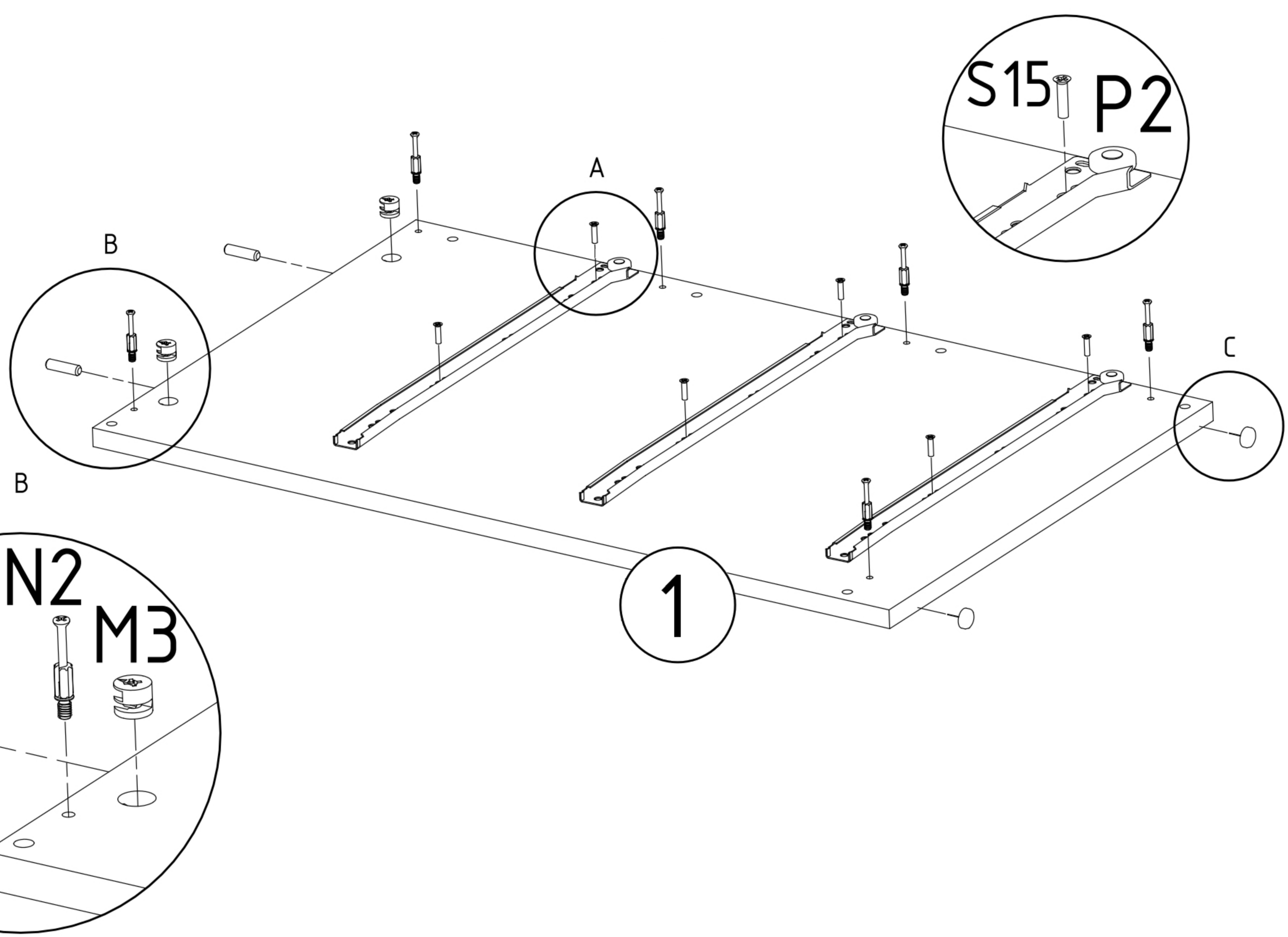
N2  L=34mm x22	M3  12x15mm x22	E4  L=43mm x12	S1  3,5x16mm x16	E1  8x30mm x31	K1  x1	 x1	
T1  x6	Z2  x45	P3  L=300mm x1	P2  L=400mm x3	M2  ø17mm x6	F2  7x50mm x4	S15  6x8mm x16	F1  ø12mm x2

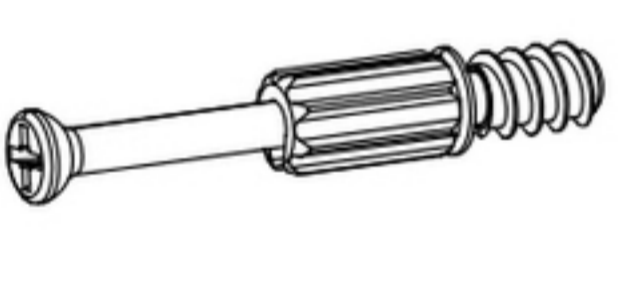
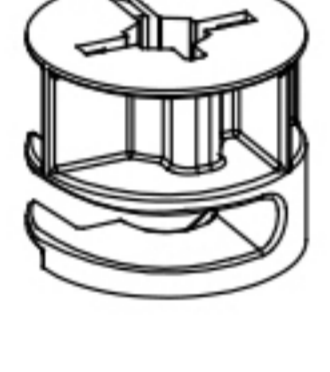
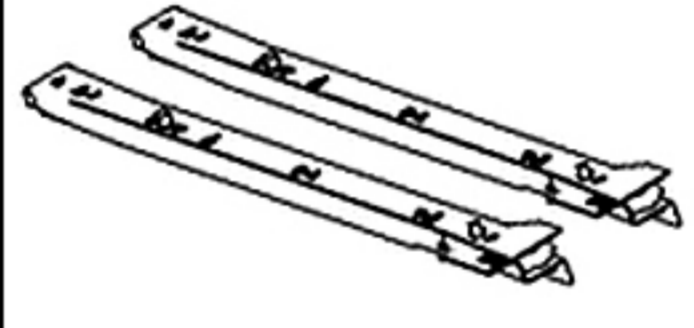
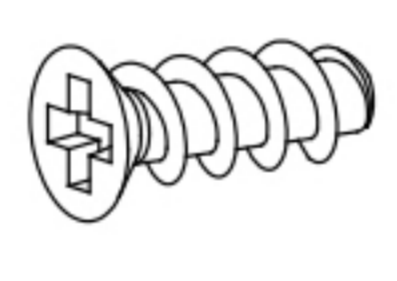
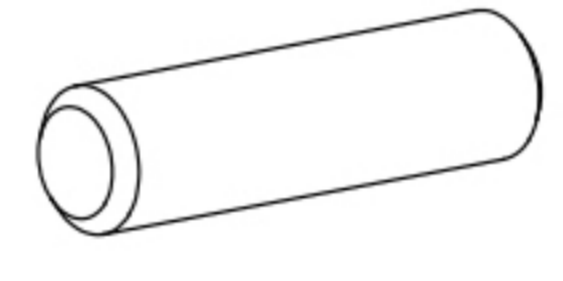



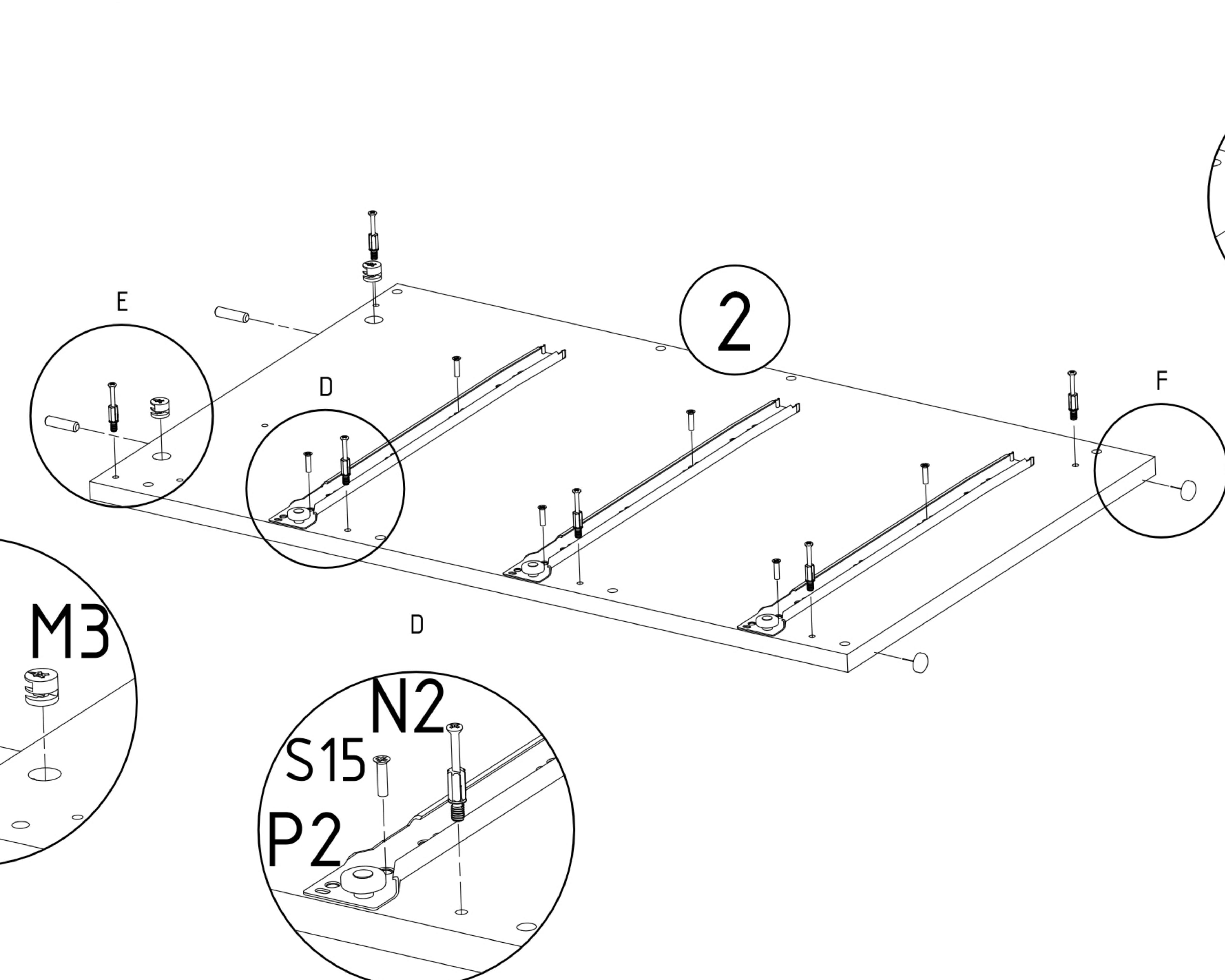
1	x	1
2	x	1
3	x	6
4	x	1
5	x	1
6	x	1
7	x	1

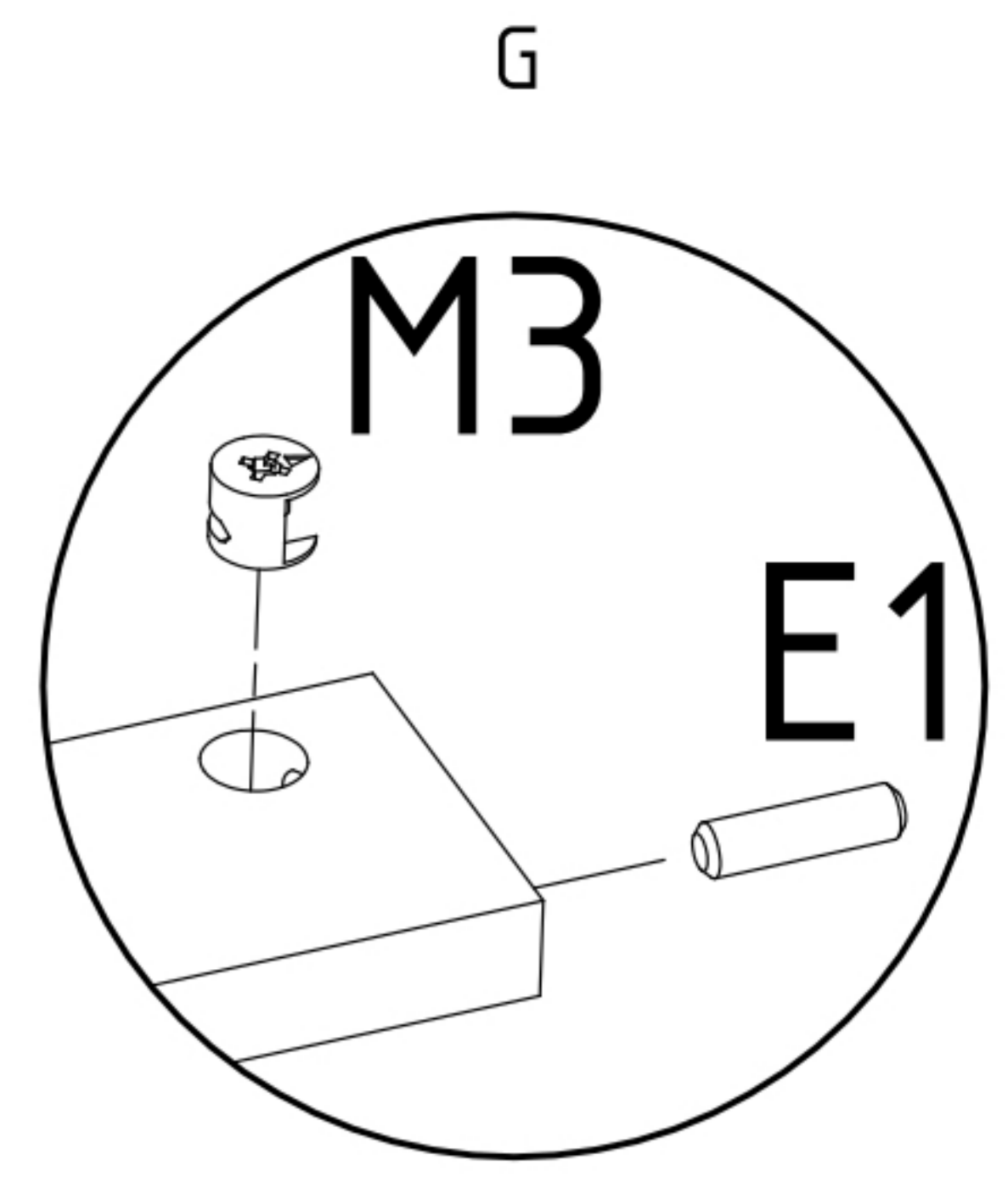
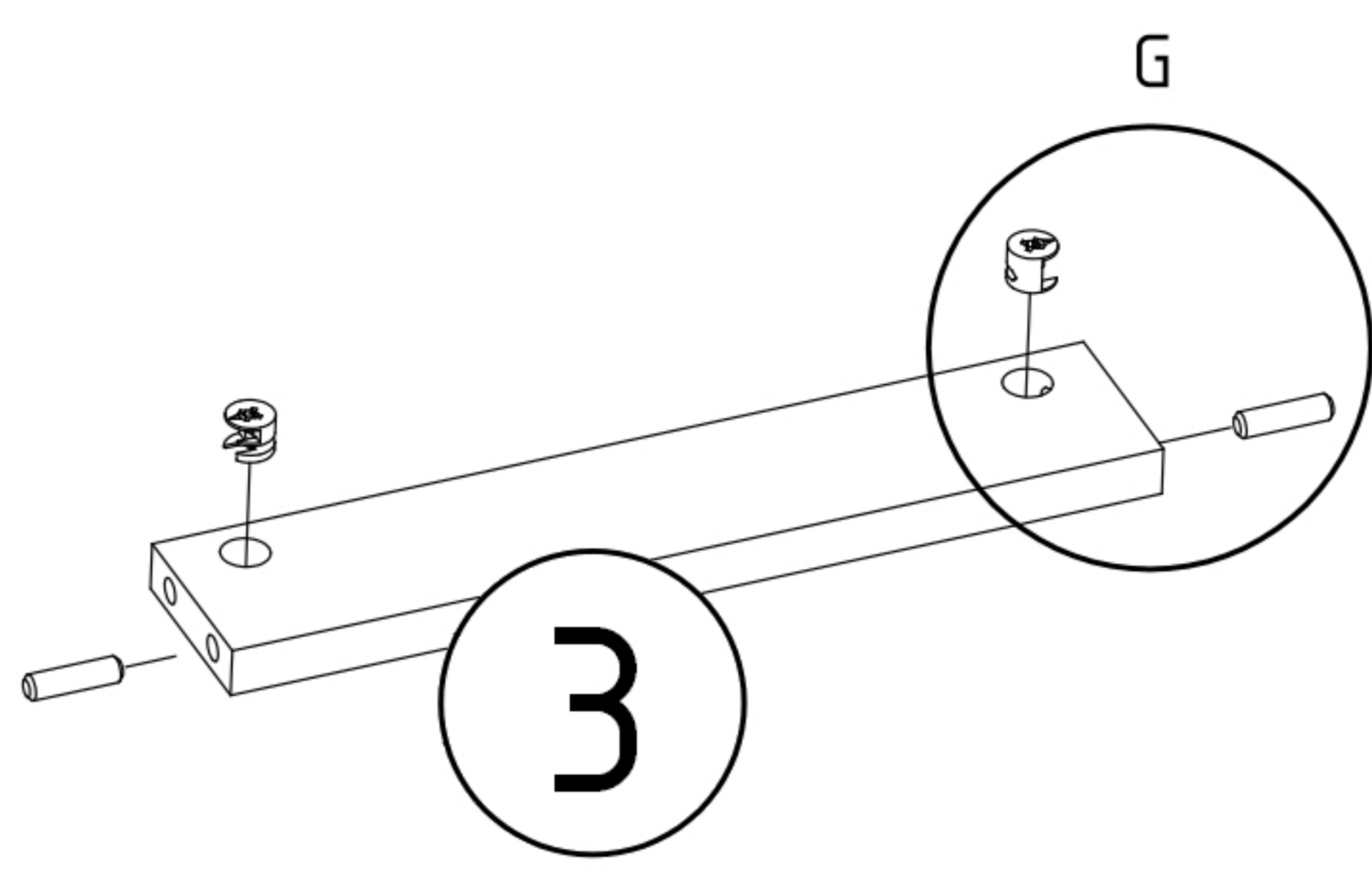
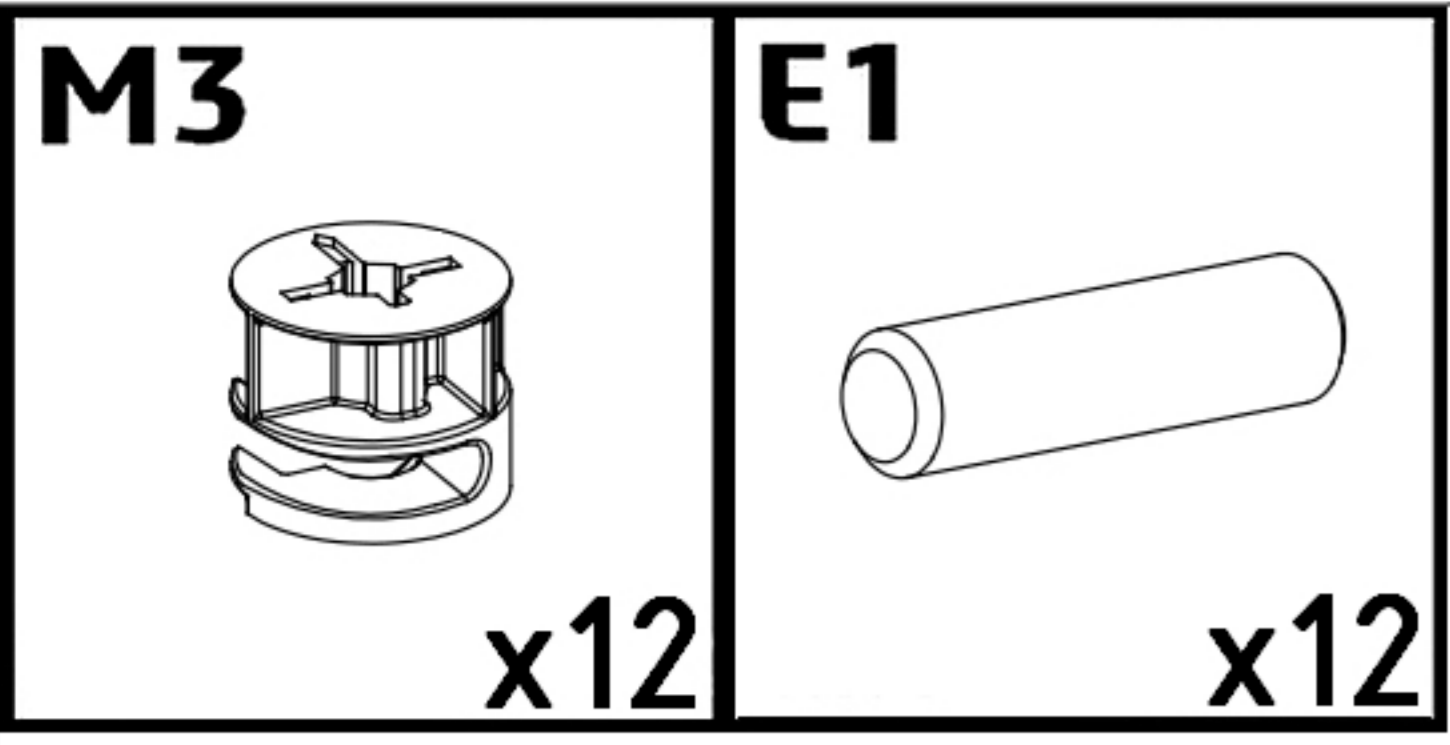
8	x	3
9	x	6
10	x	3
11	x	3
12	x	1

N2  x6	M3  x2	P2  x3	S15  x6	E1  x2	T1  x2
---	--	--	---	---	--

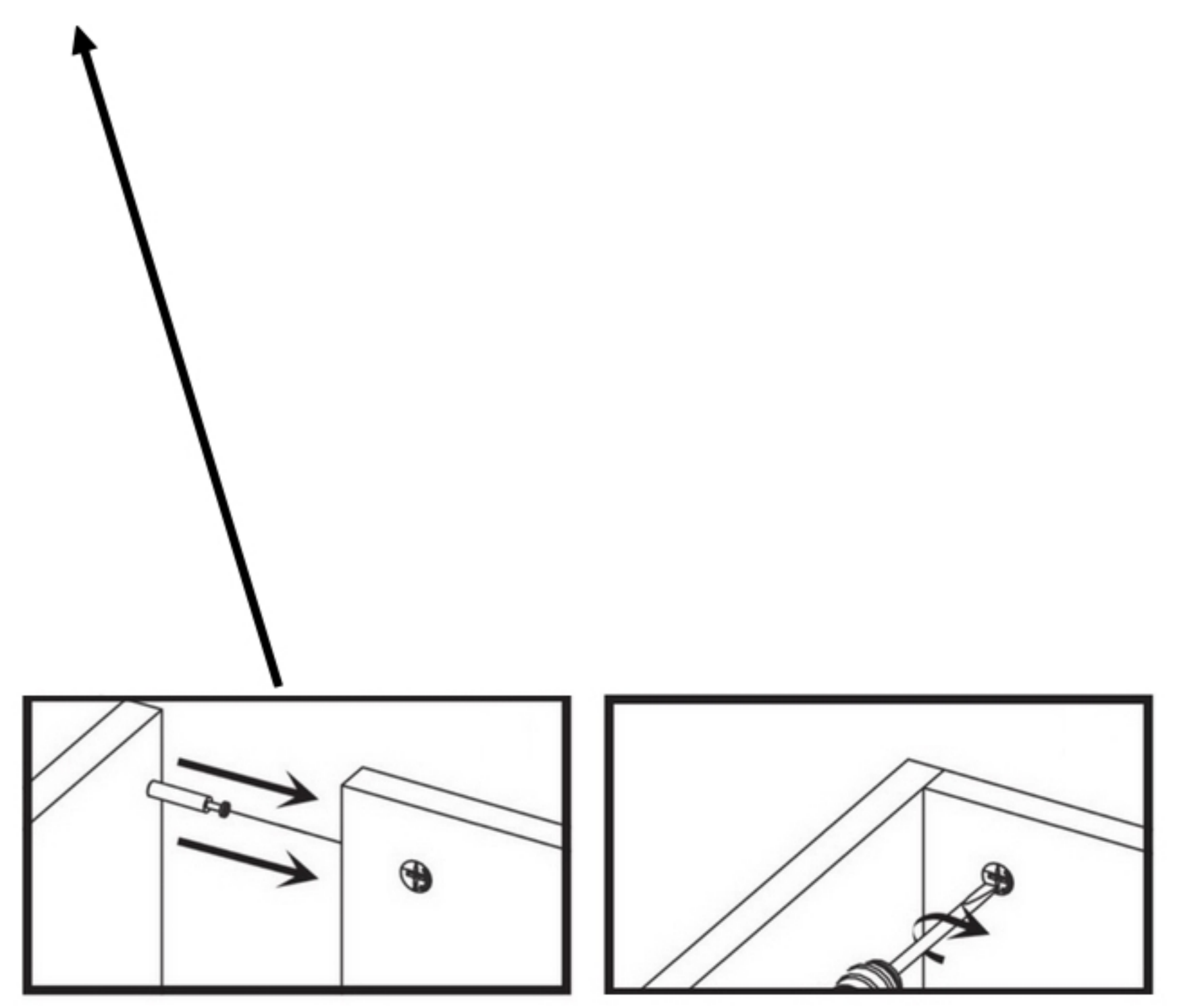
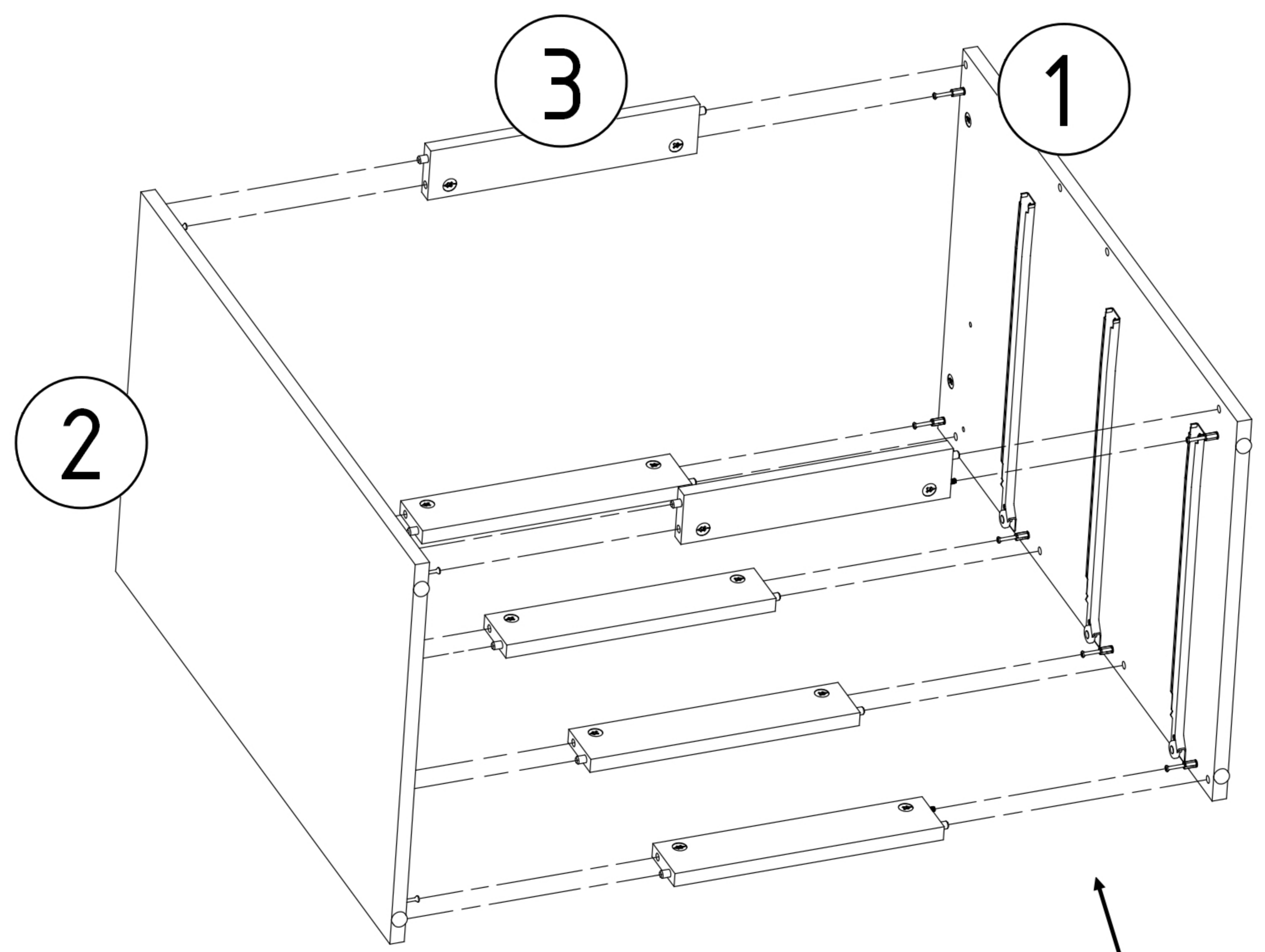




N2  x6	M3  x2	P2  x3	S15  x6	E1  x2	T1  x2
---	--	--	---	---	--

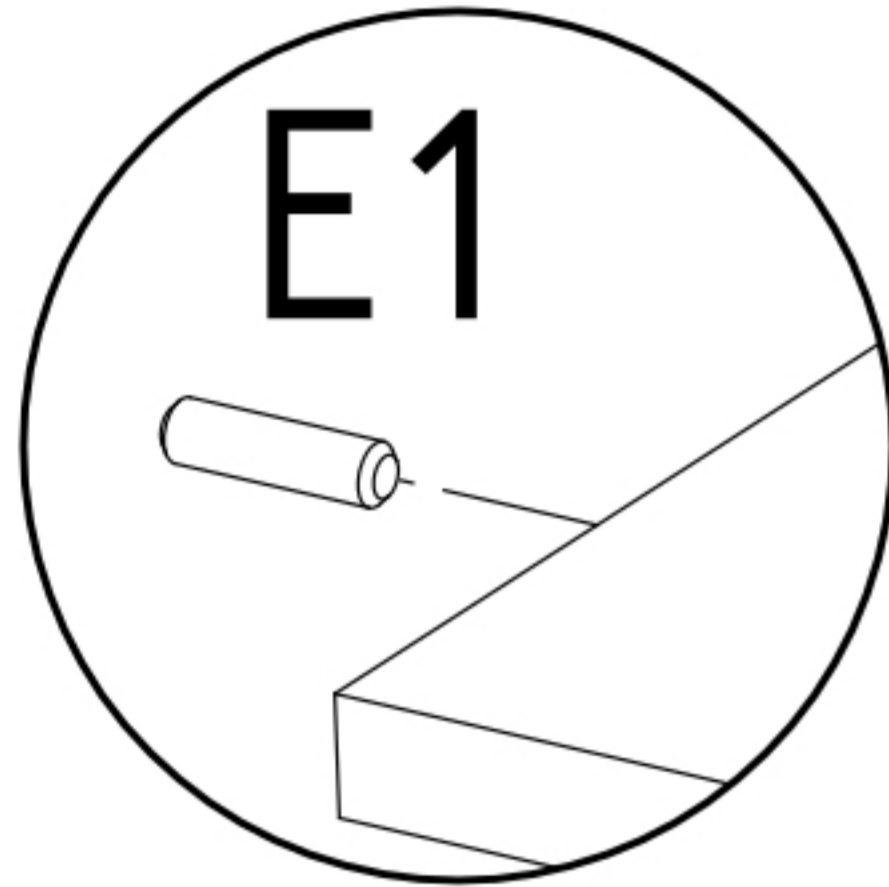
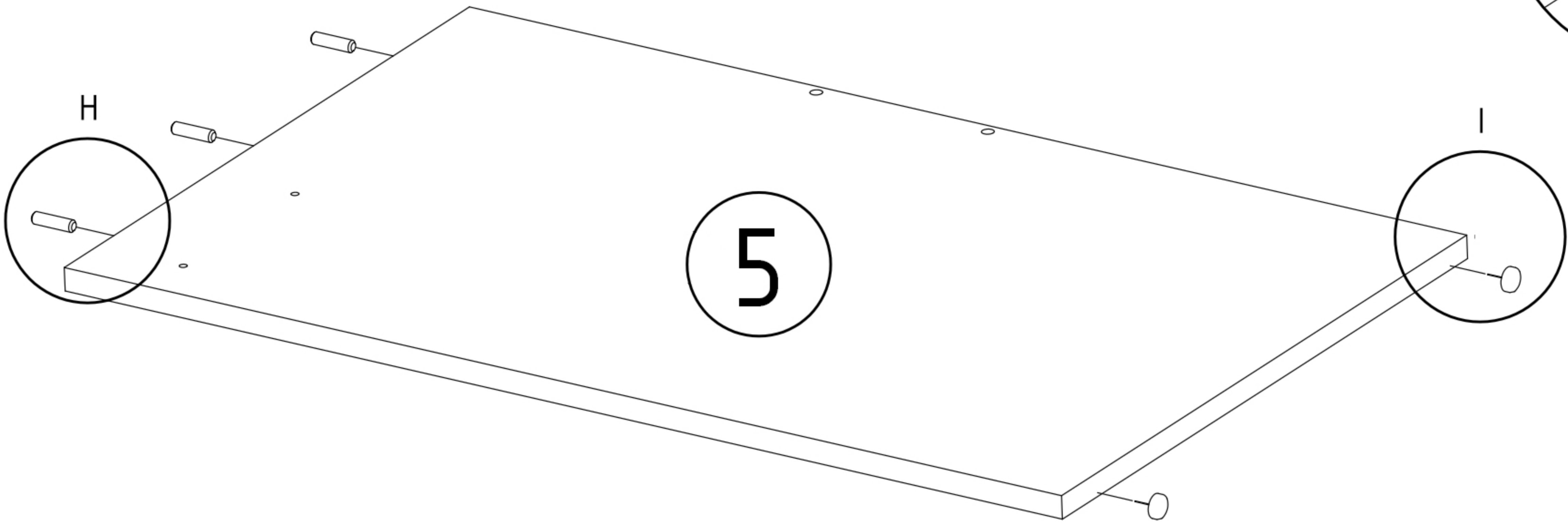
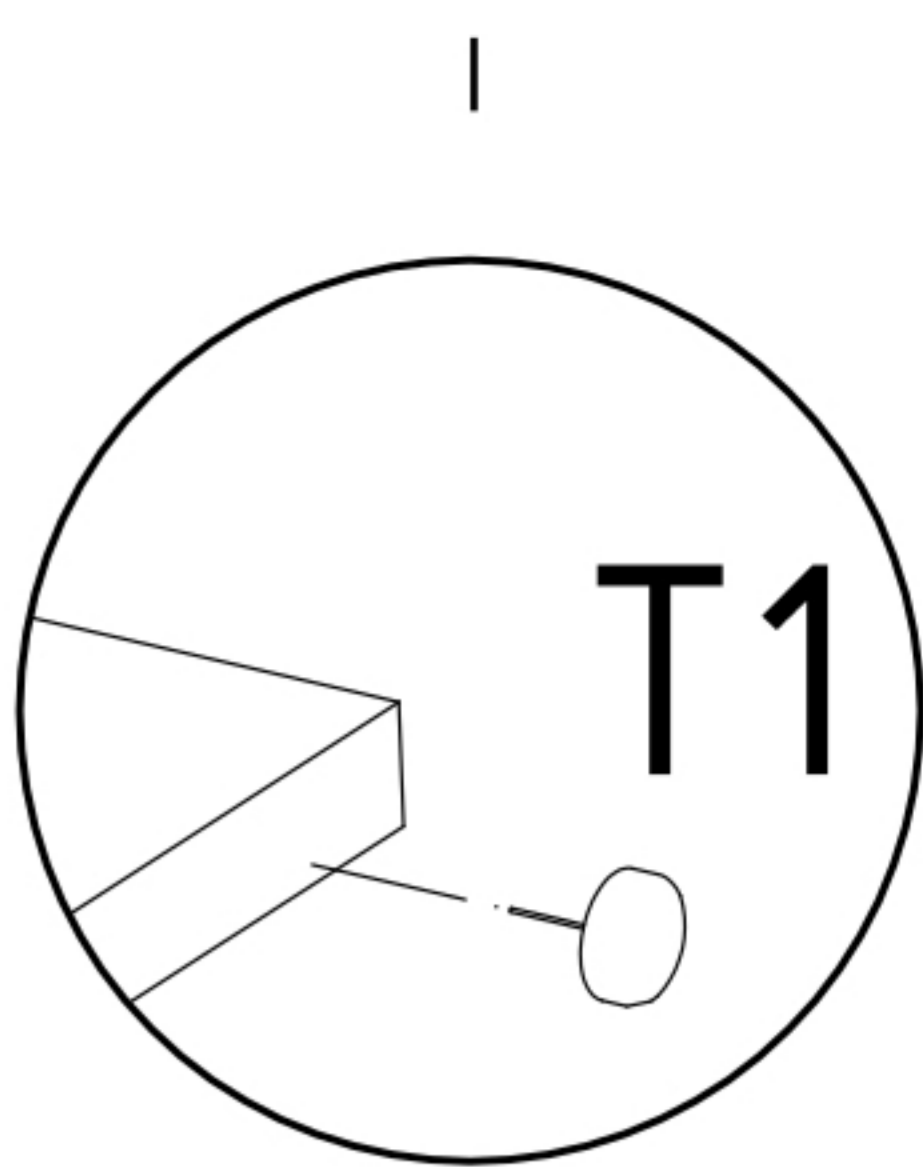
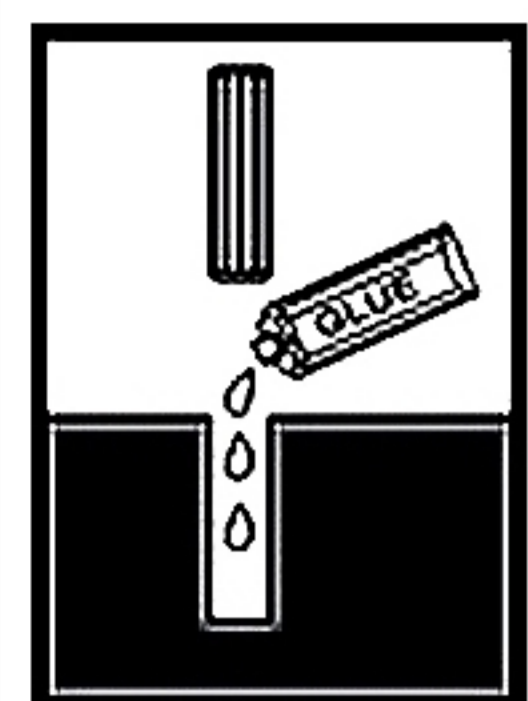


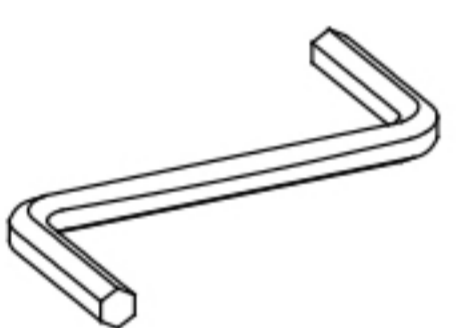
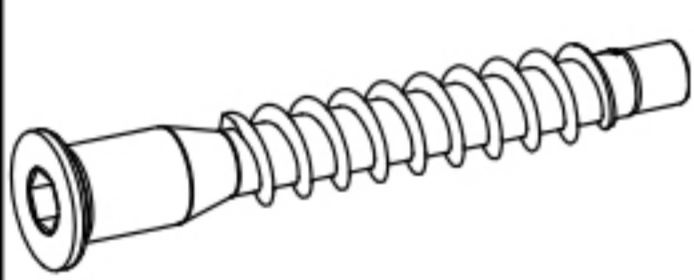


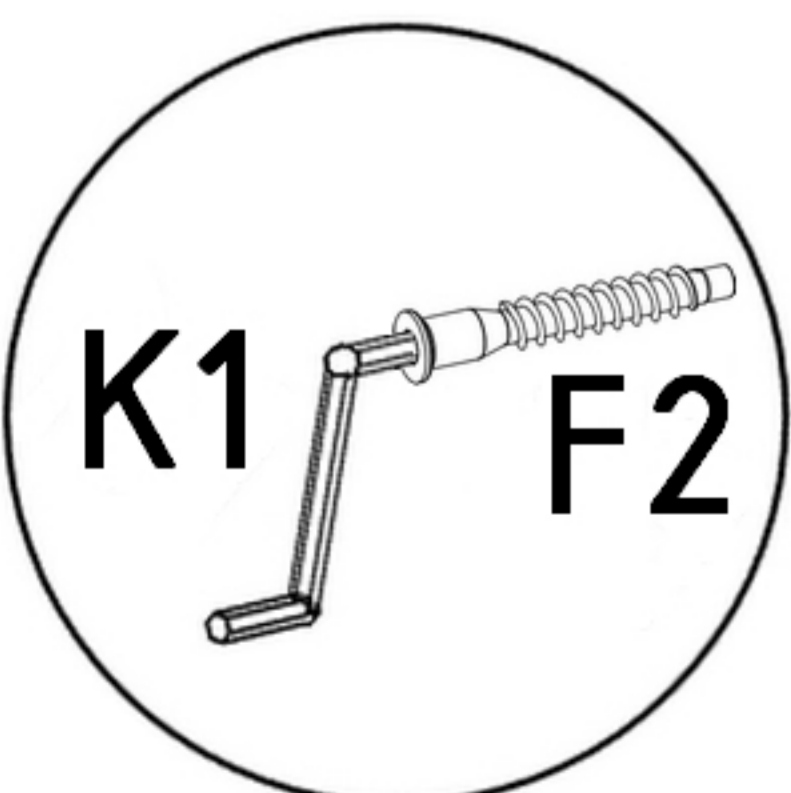
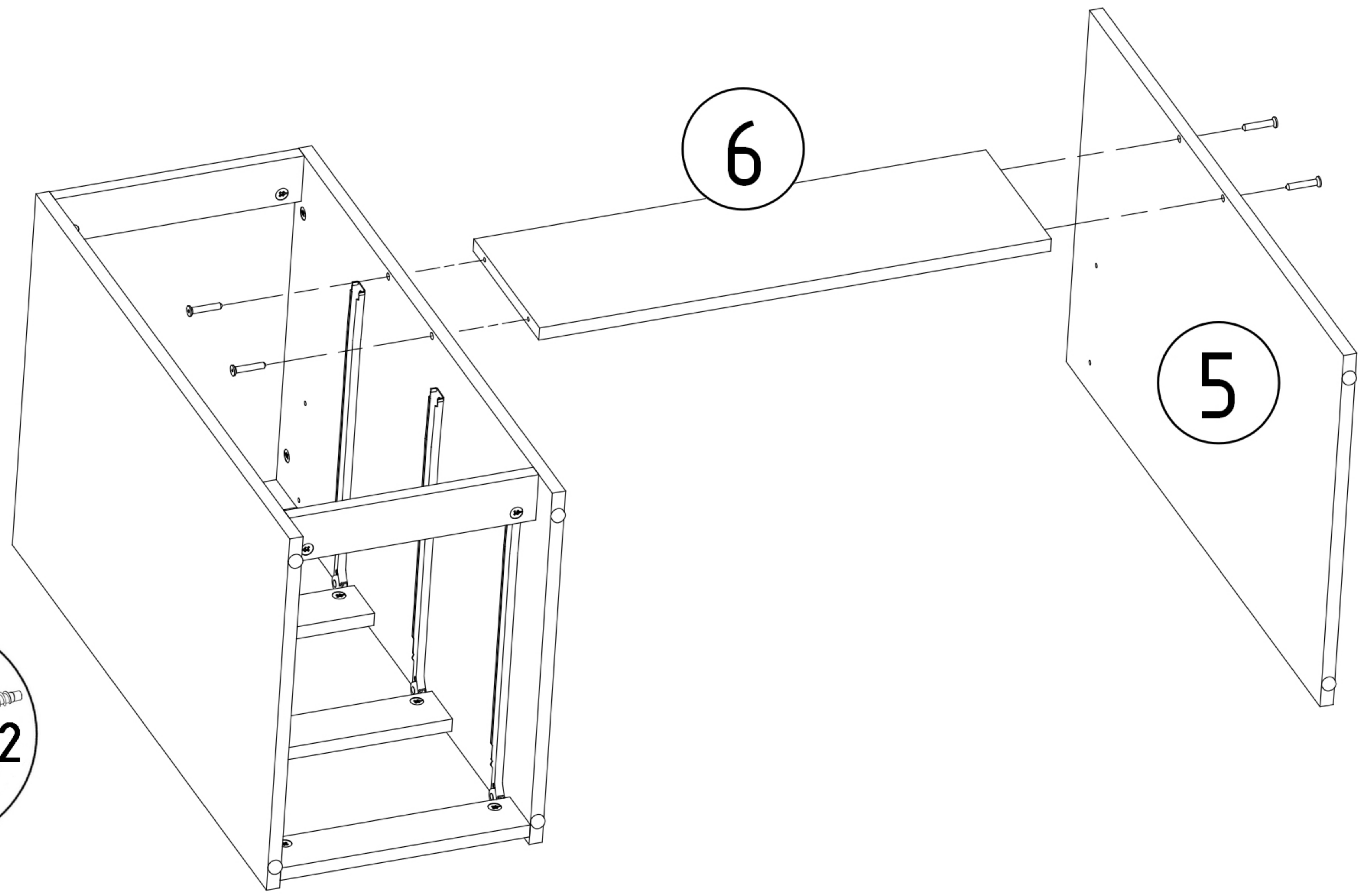
x6

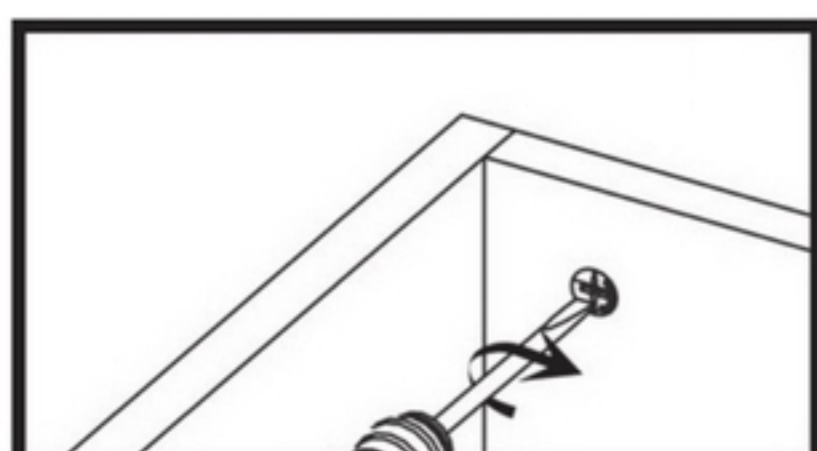
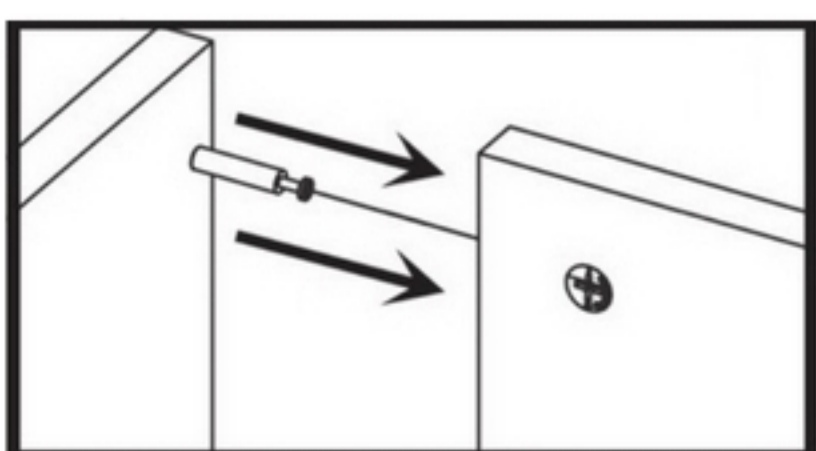
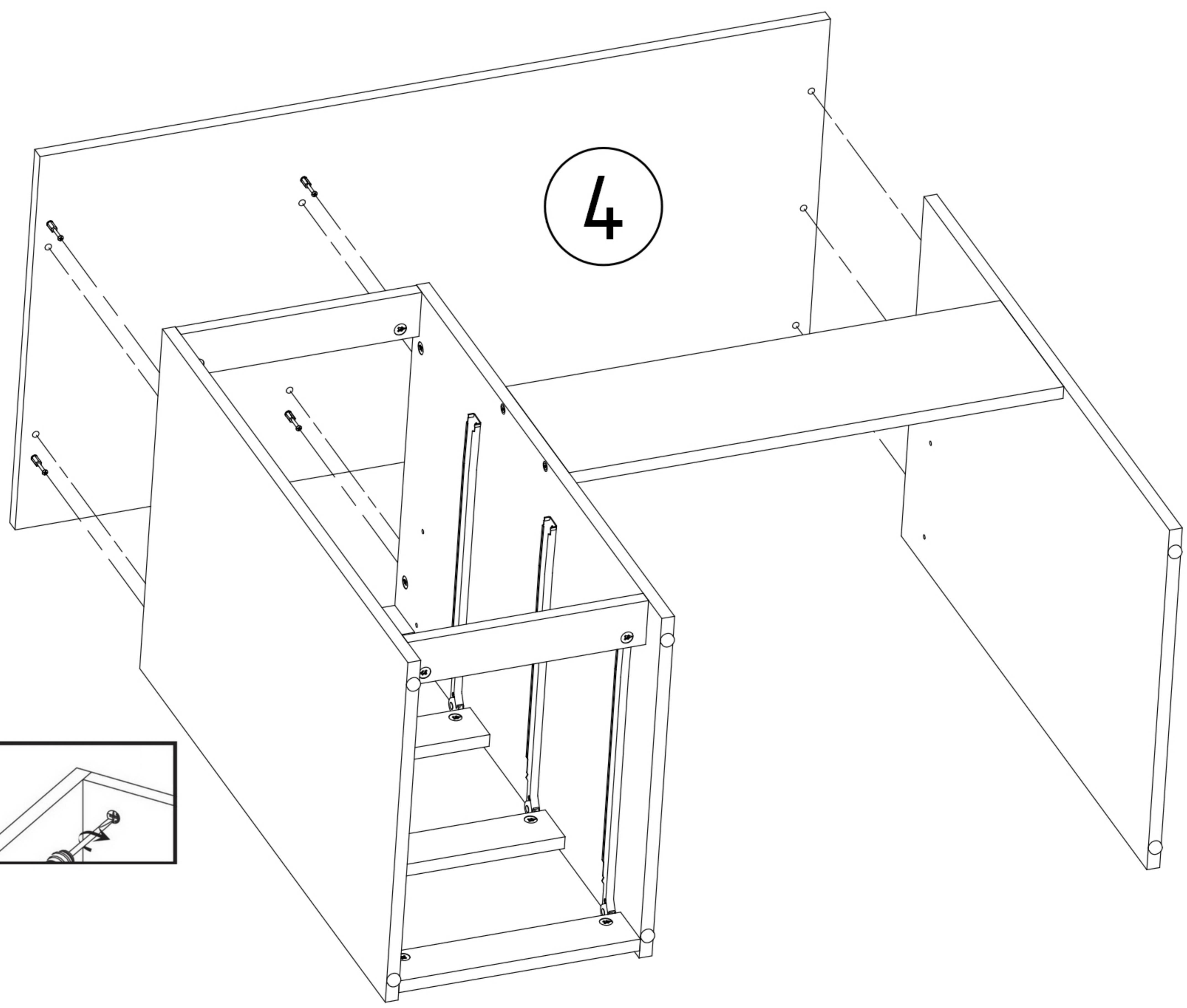
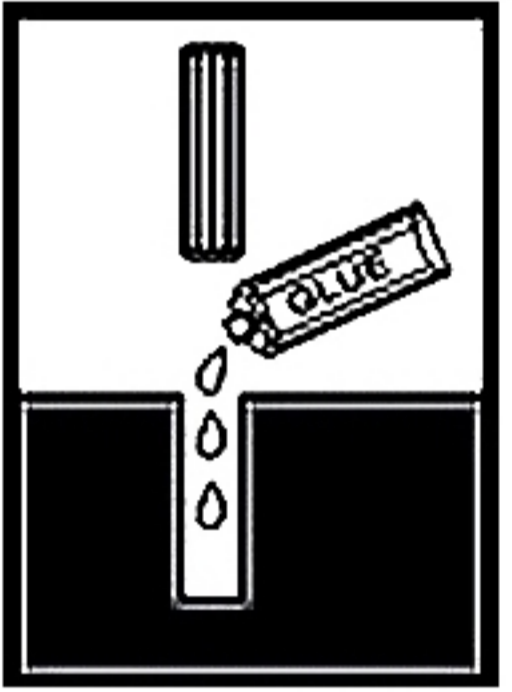
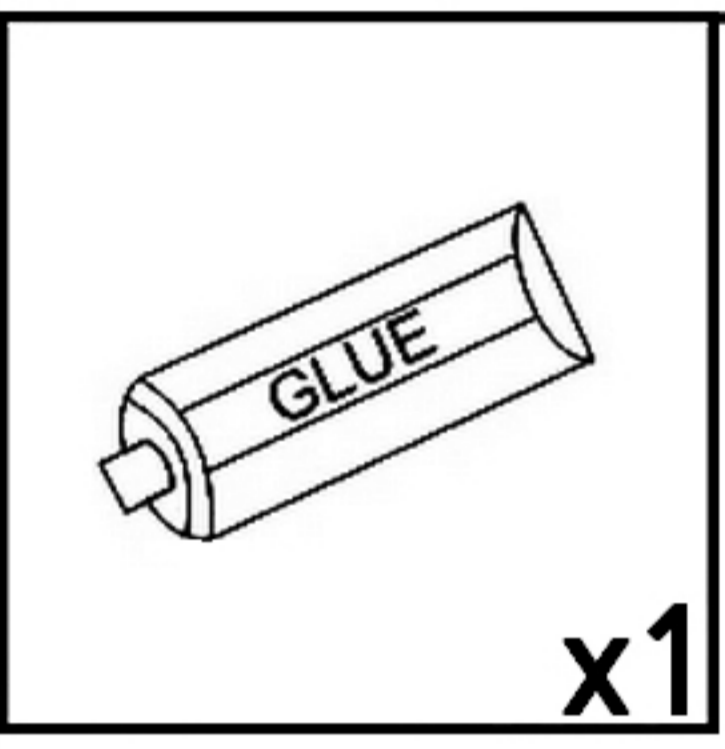
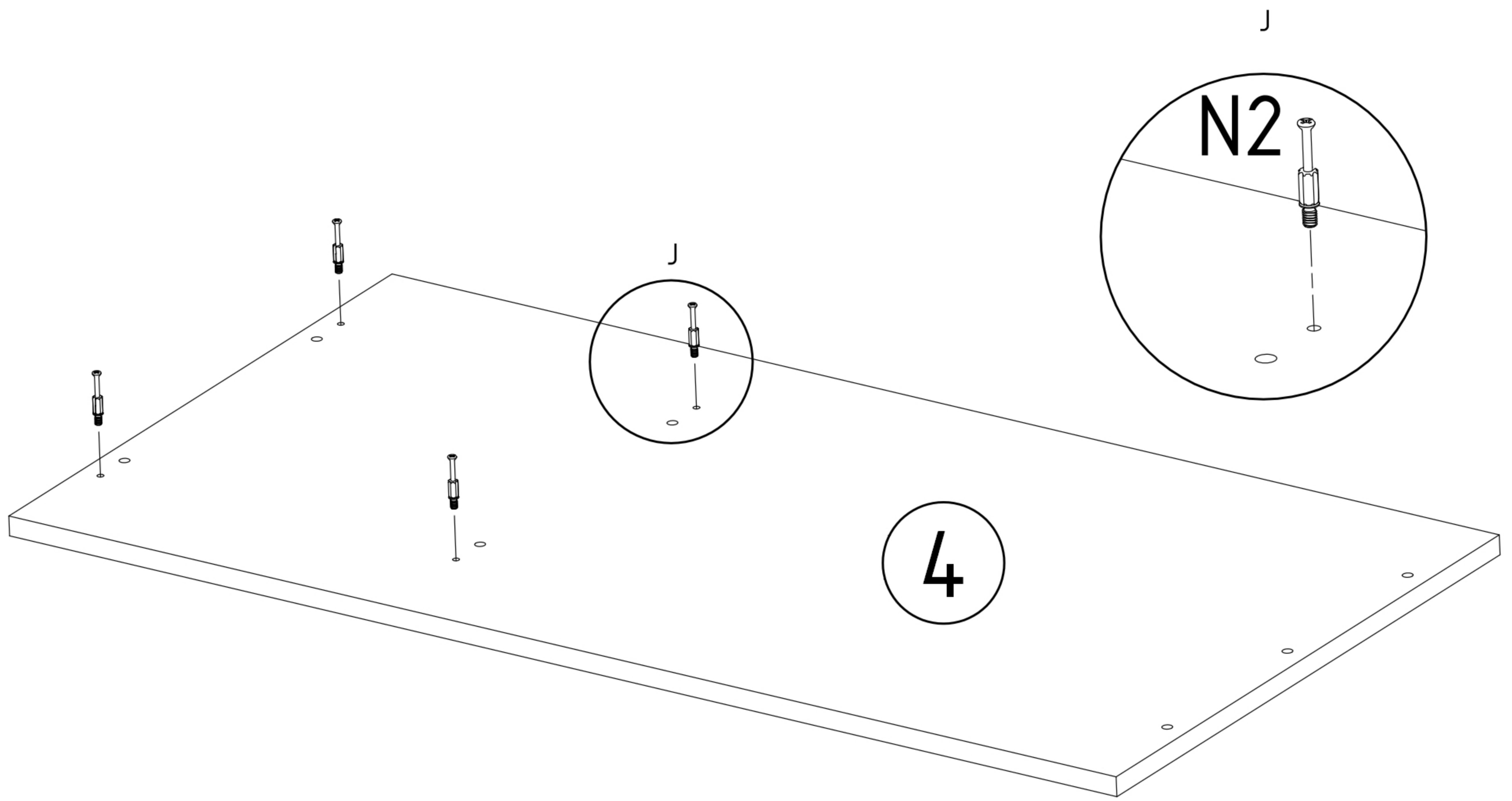
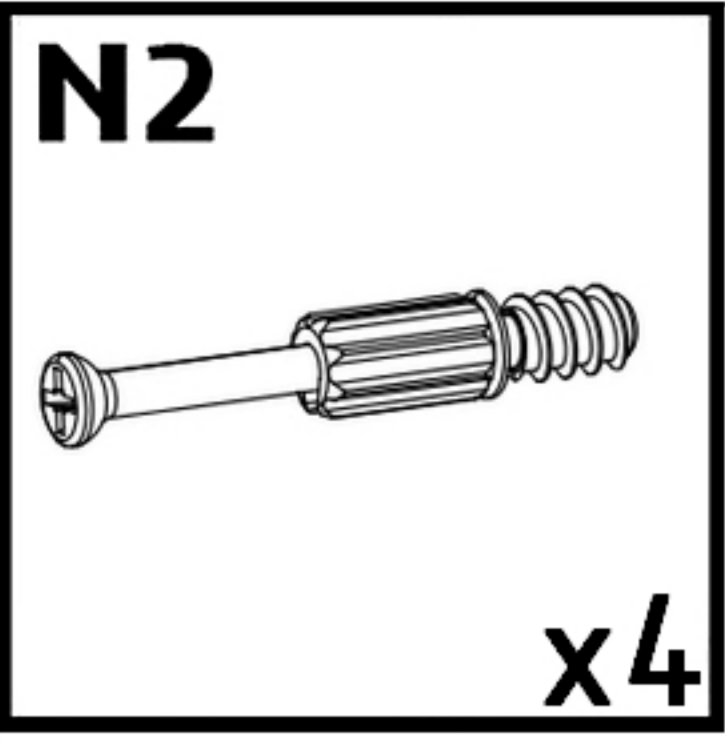


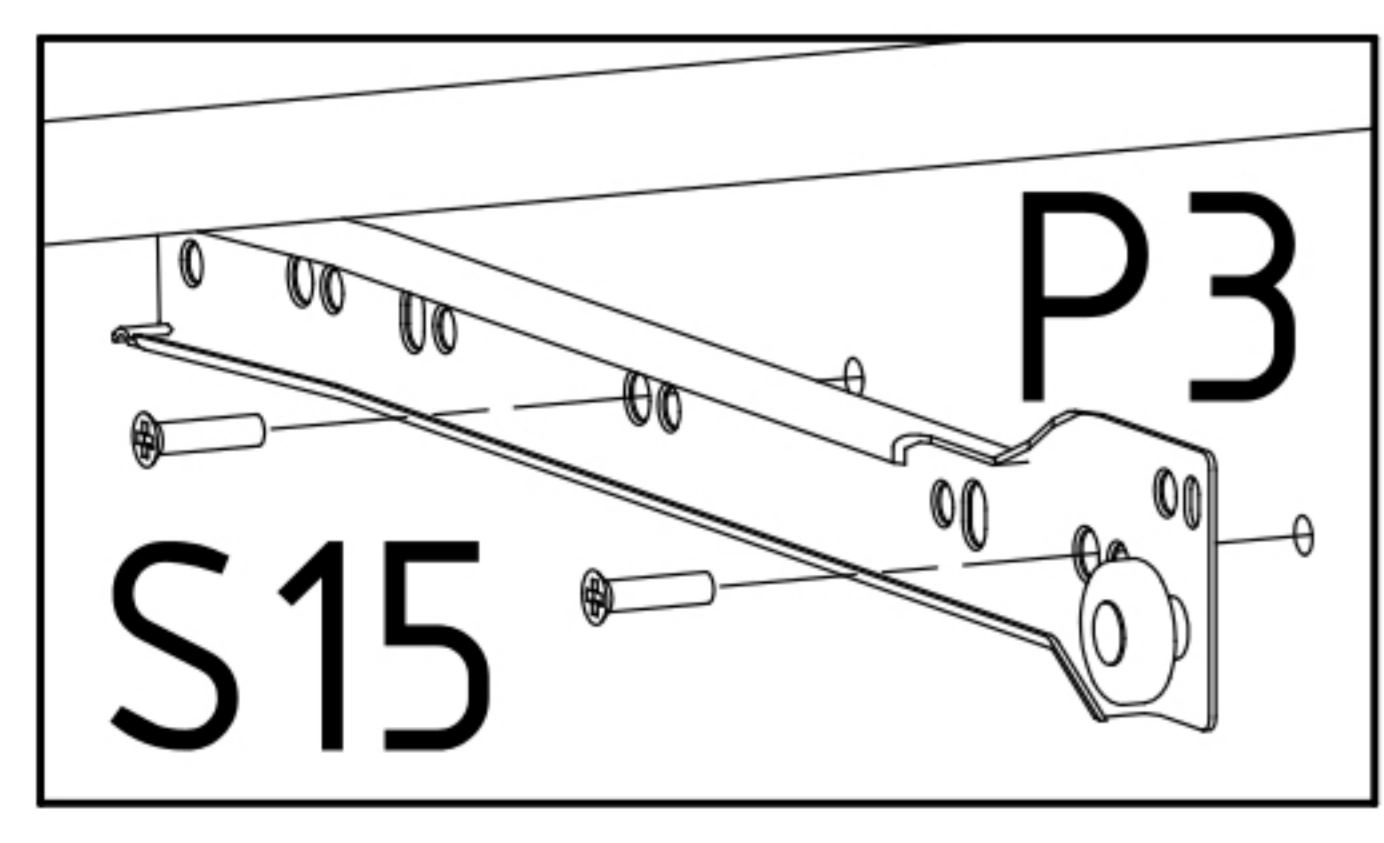
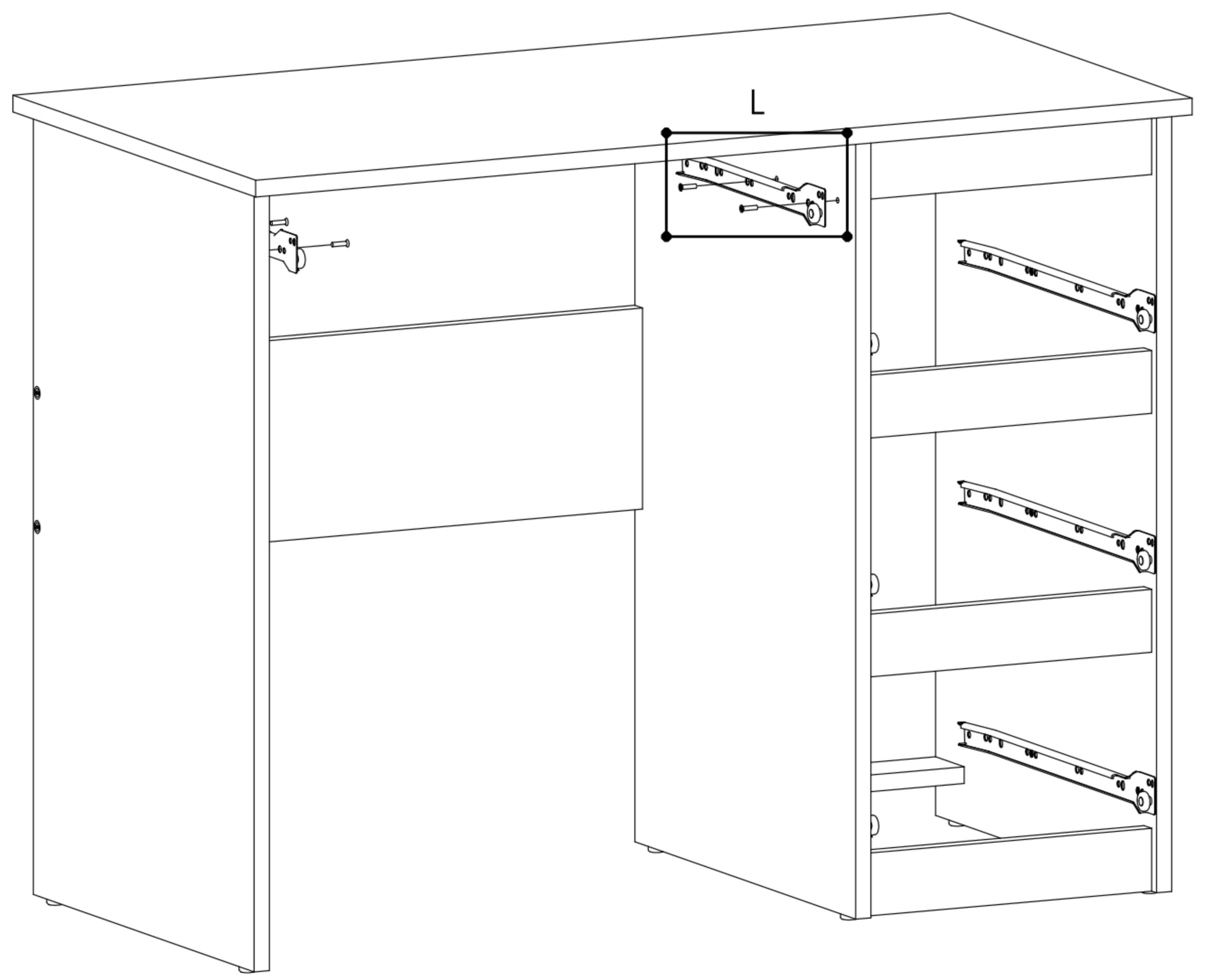
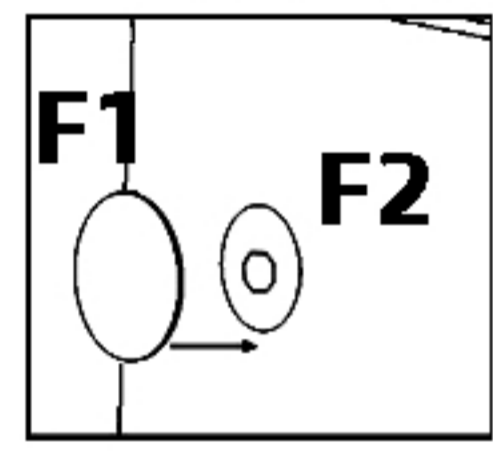
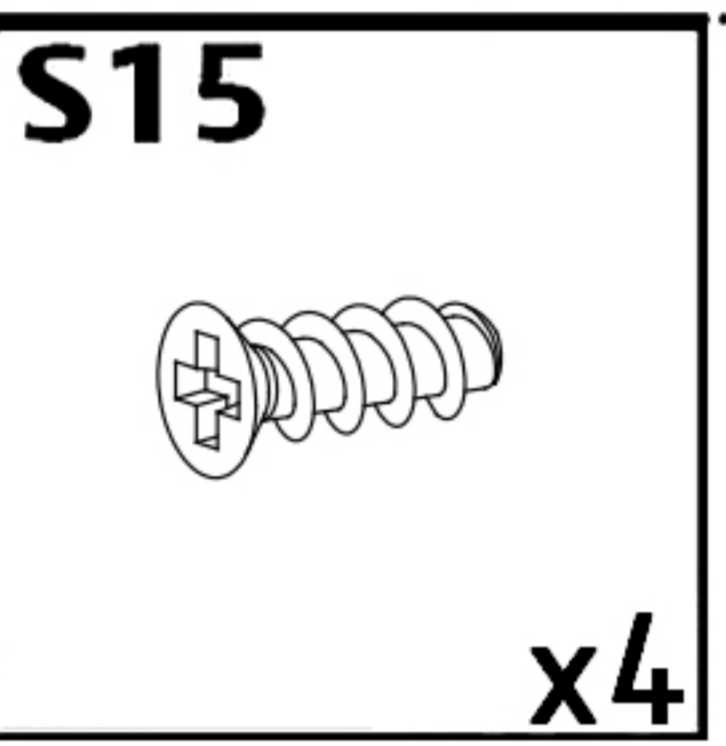
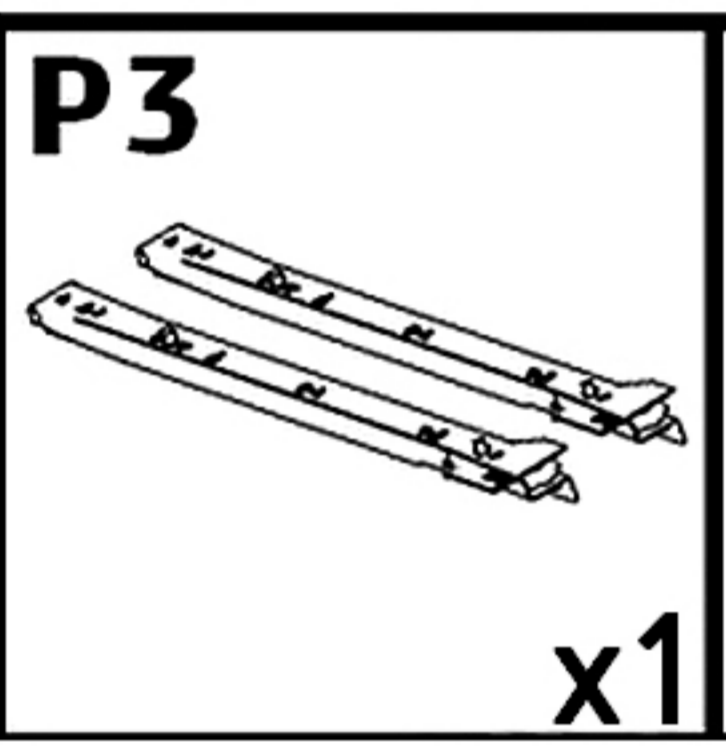
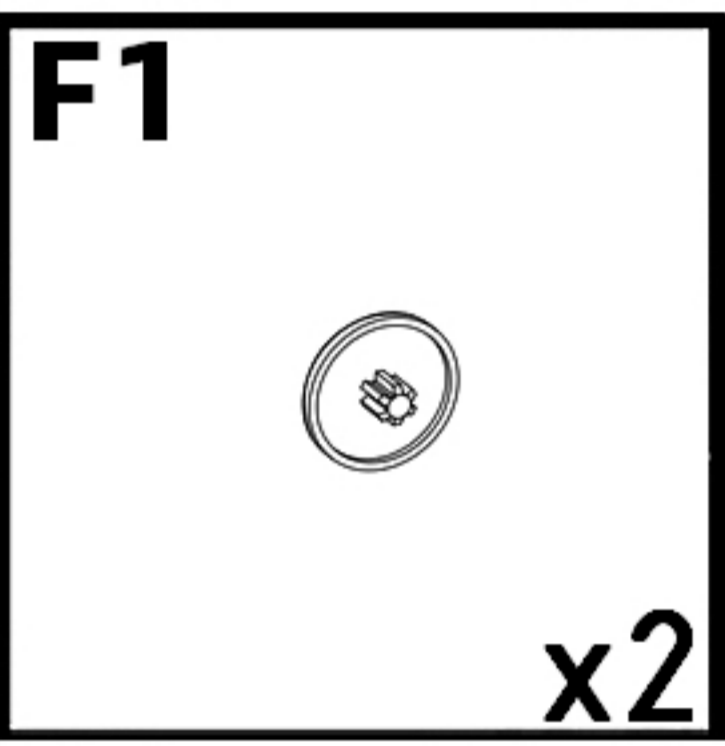
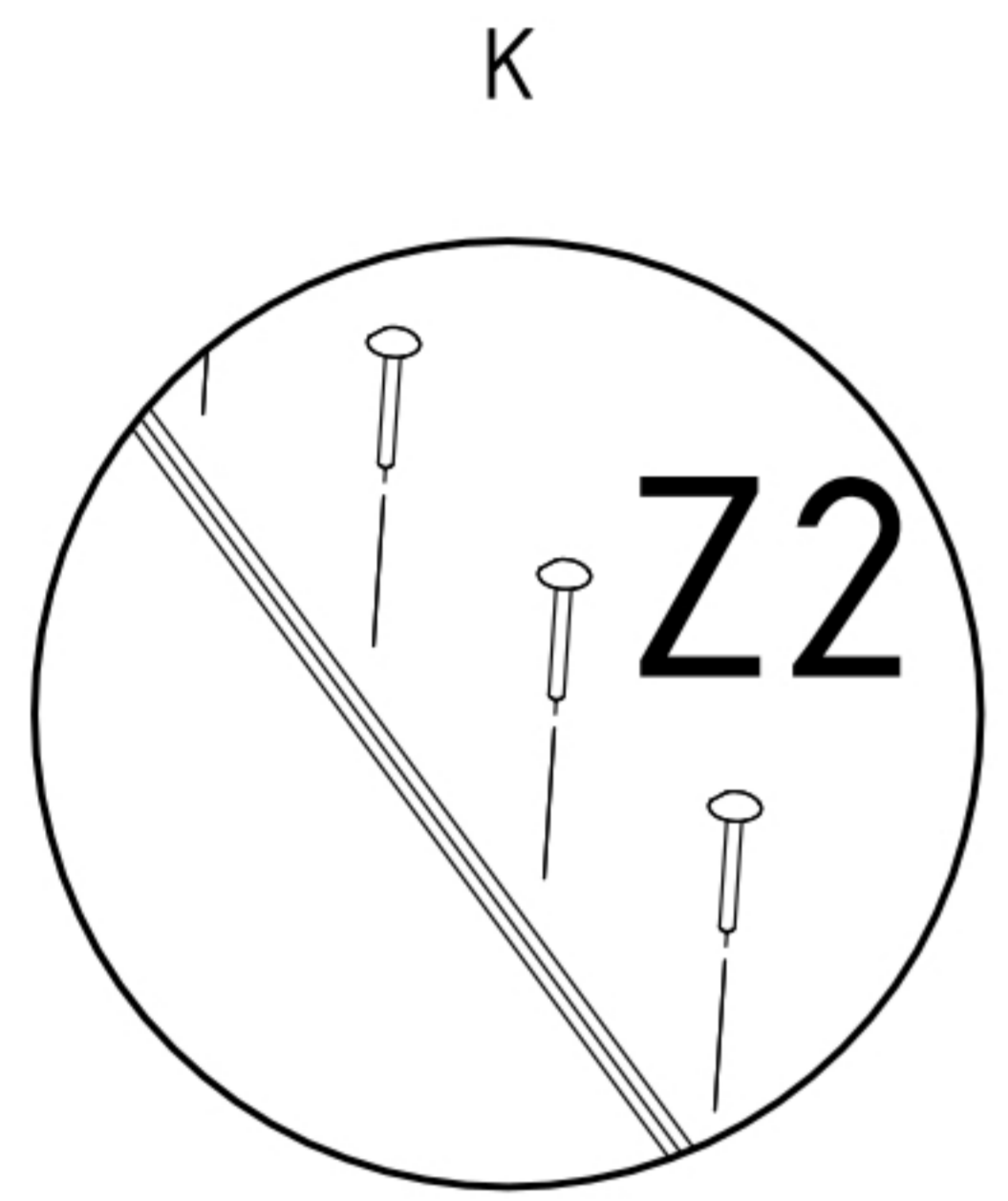
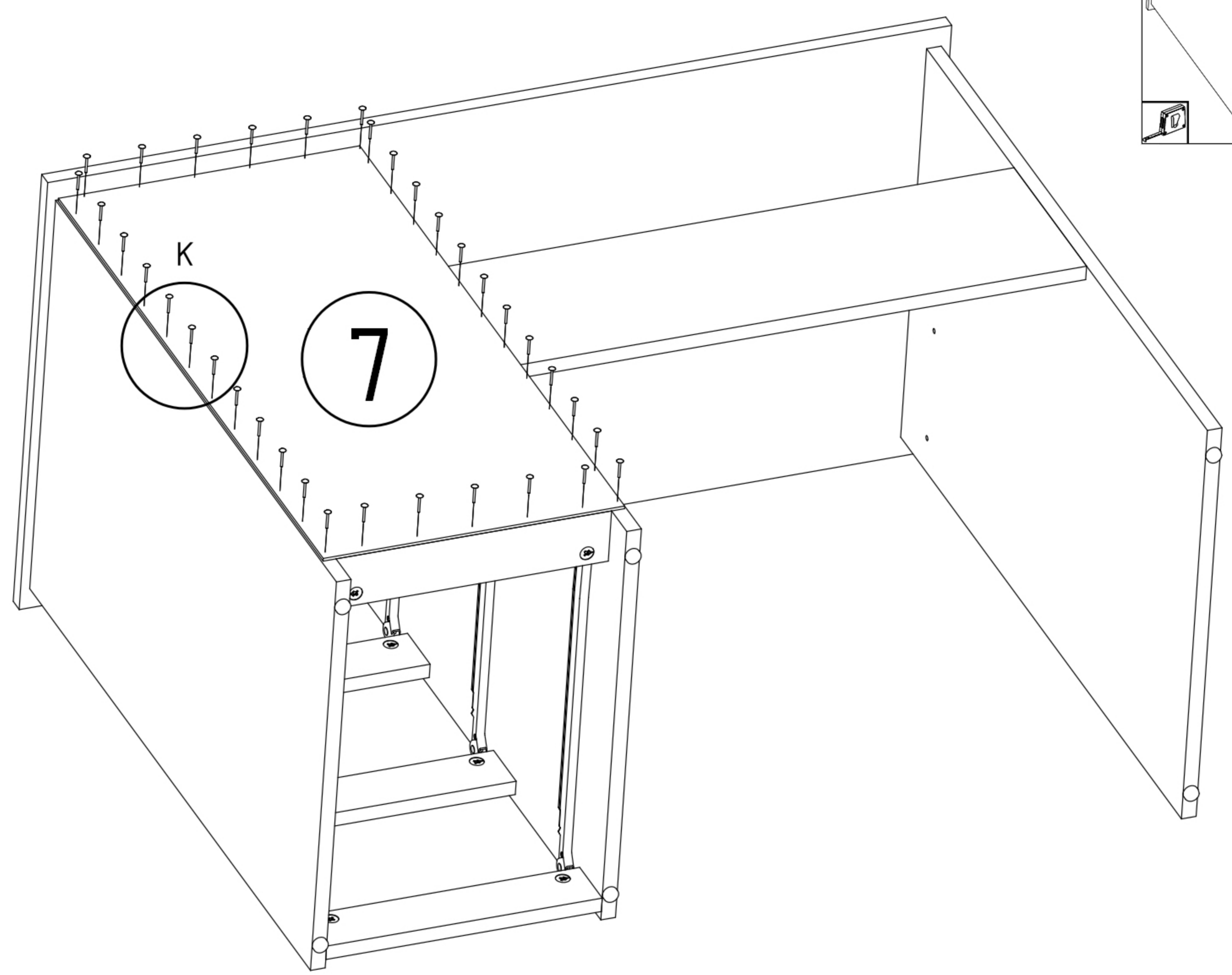
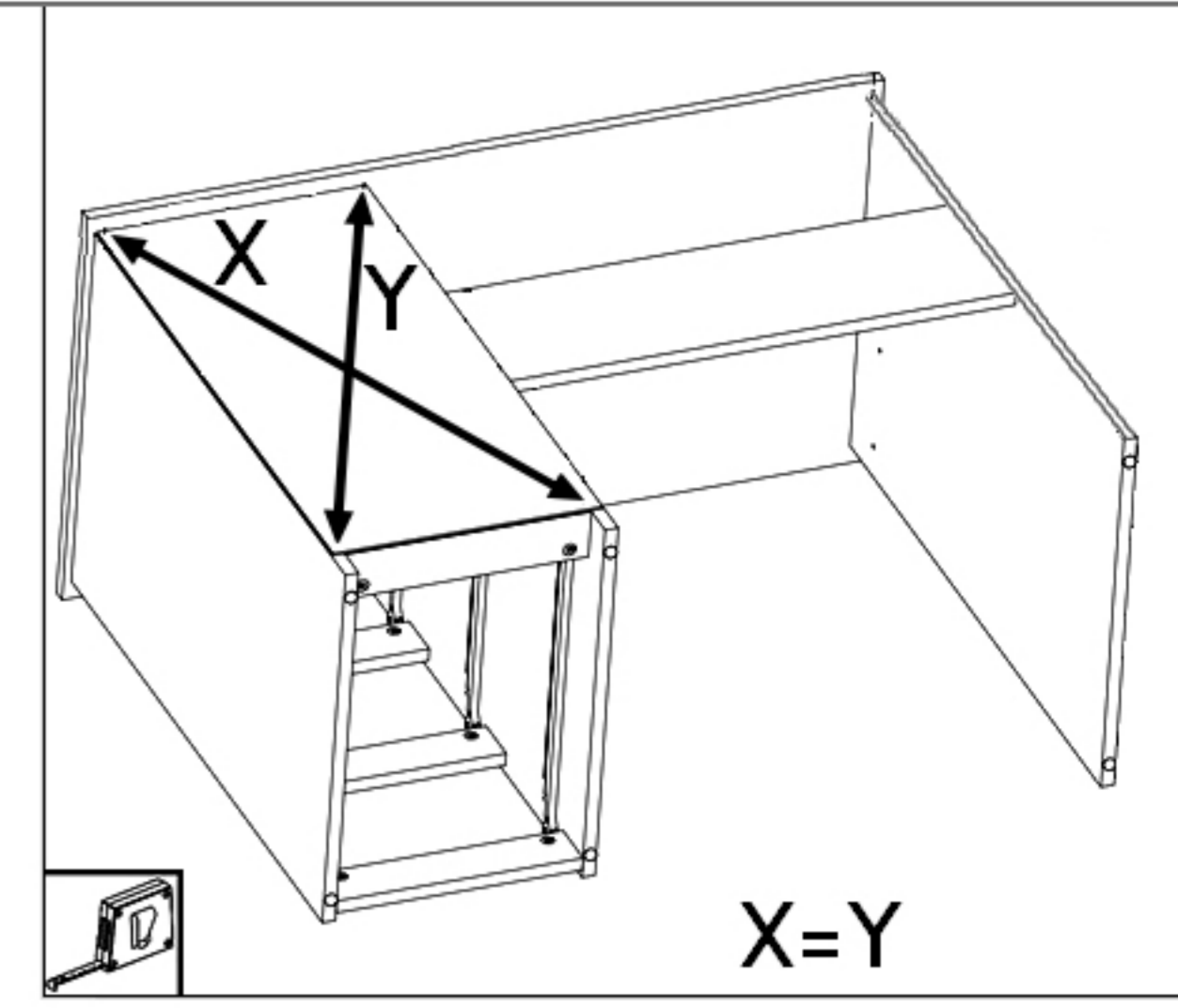
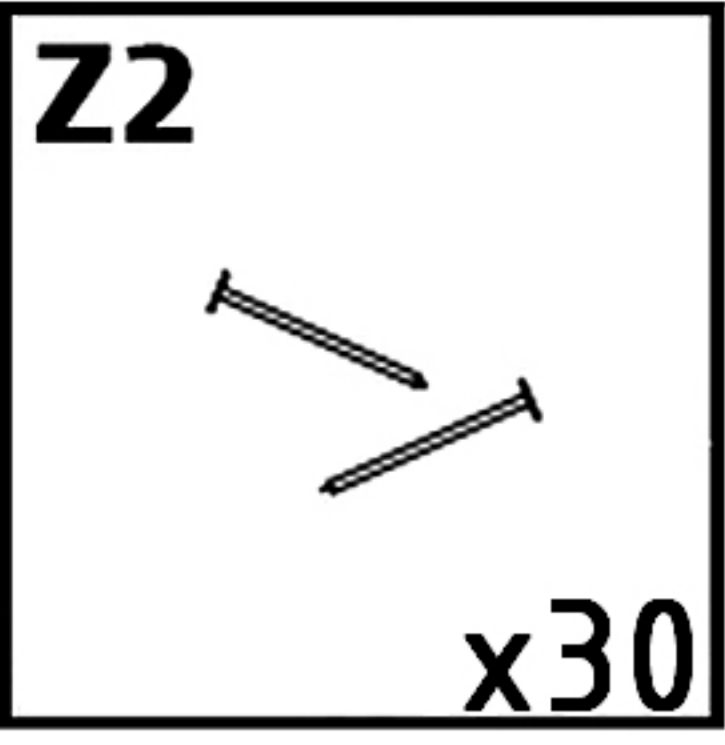
T1  x2	E1  x3
---	--

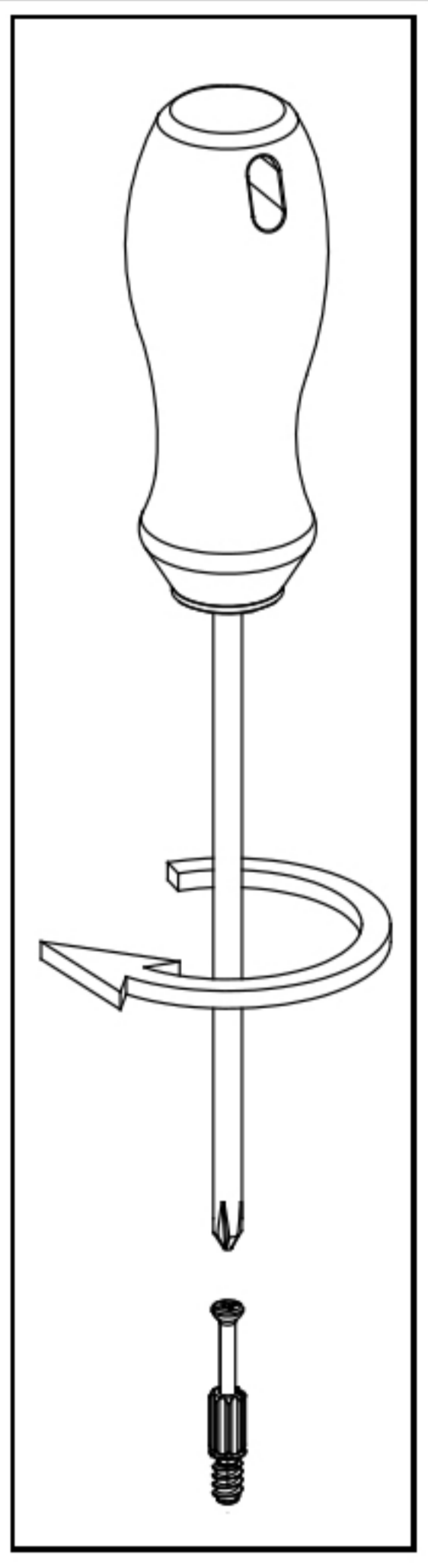
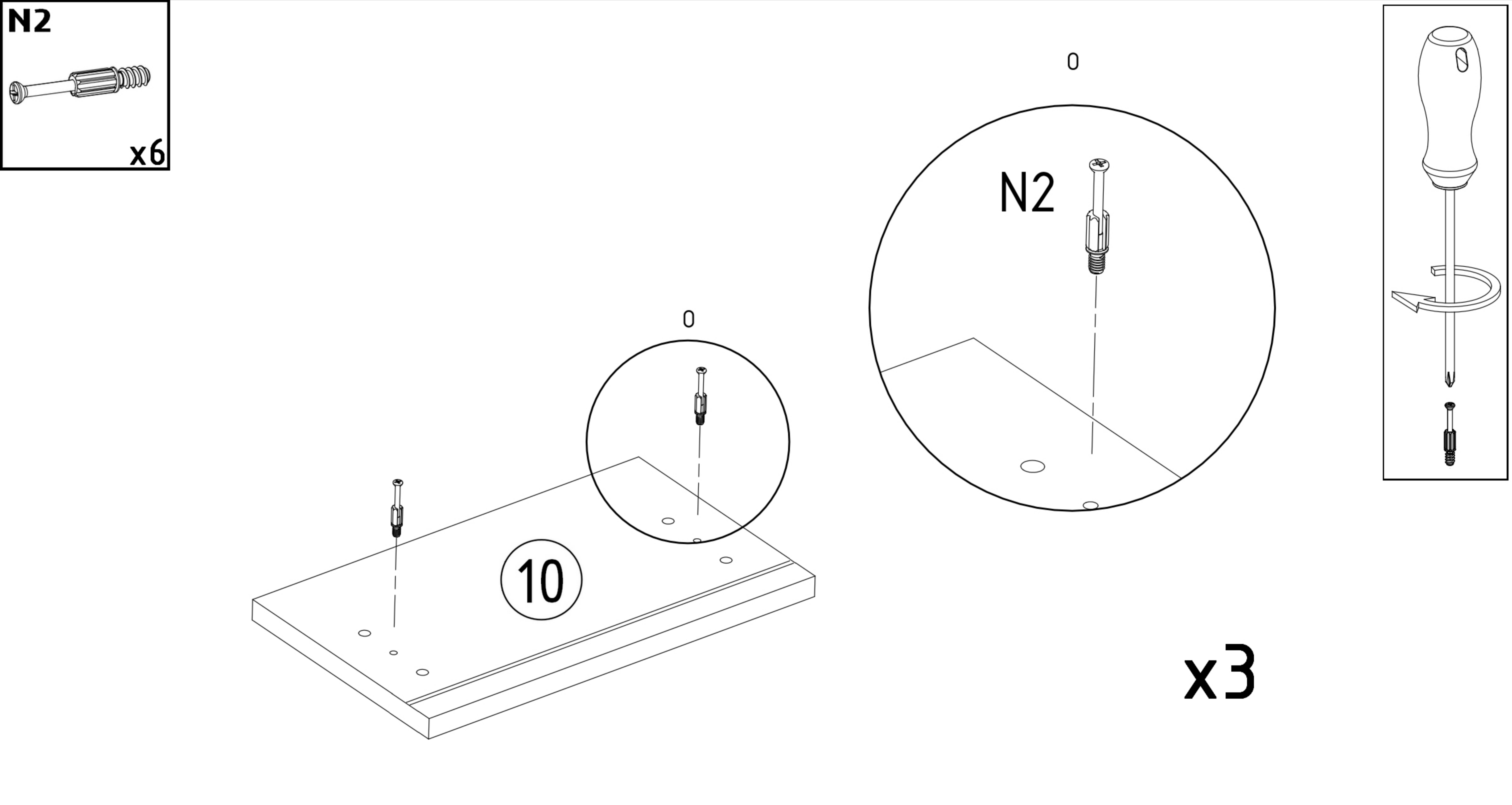
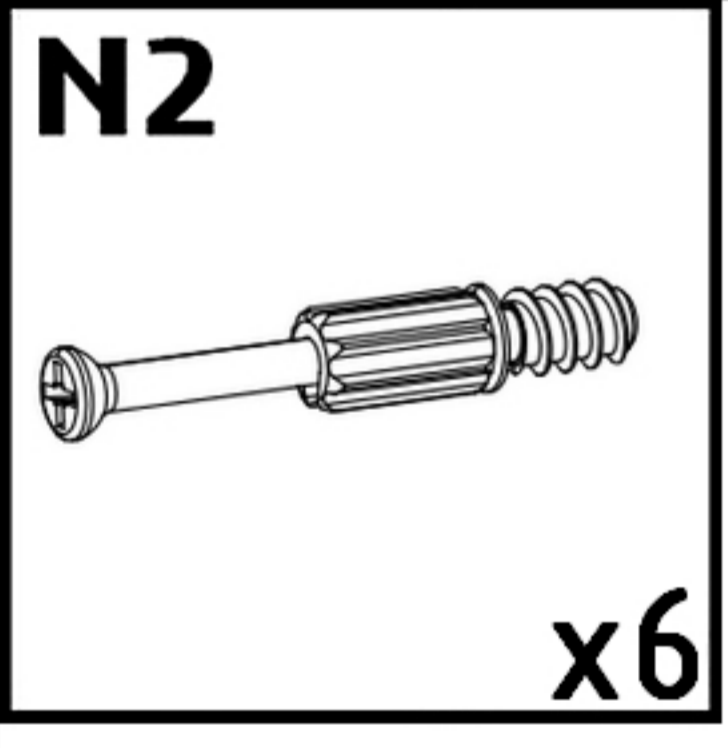
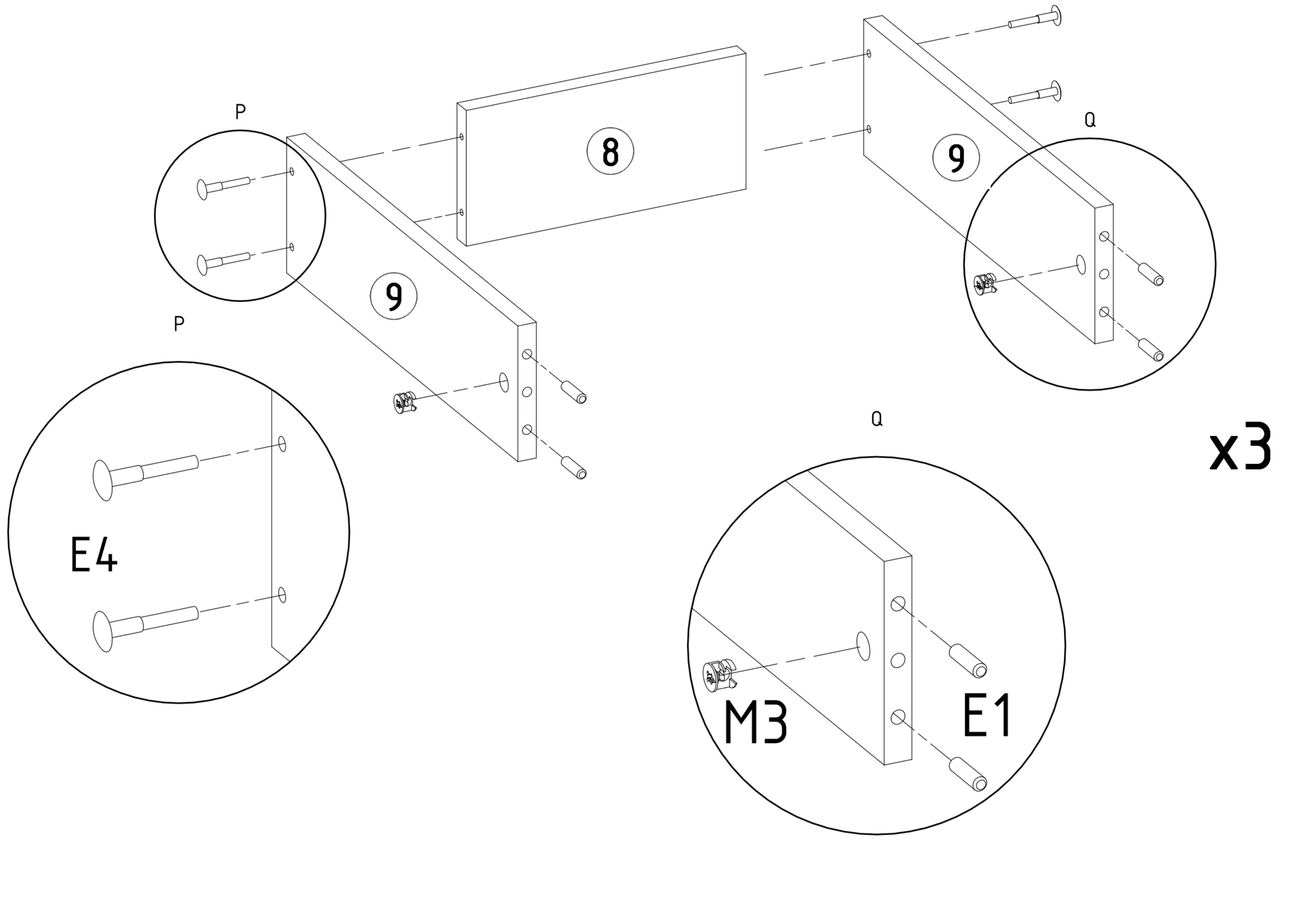
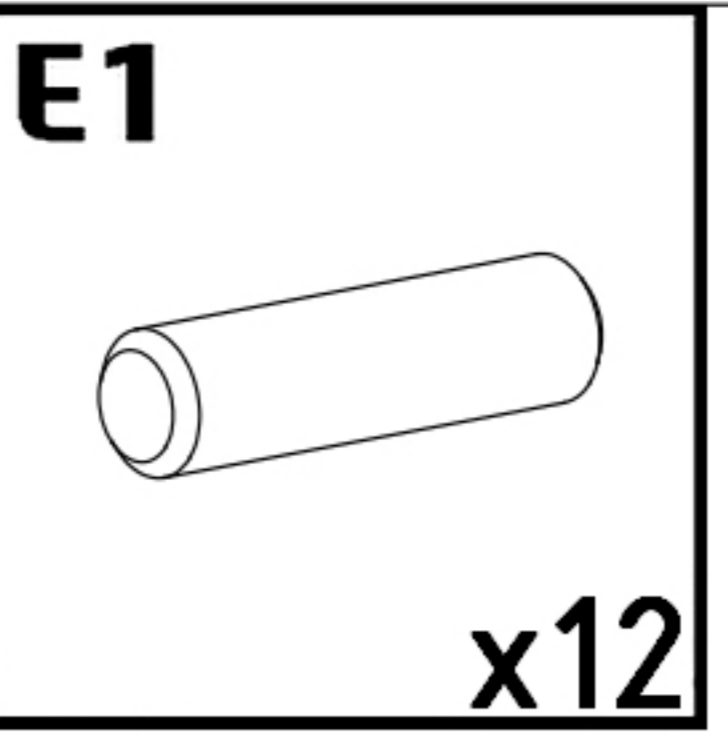
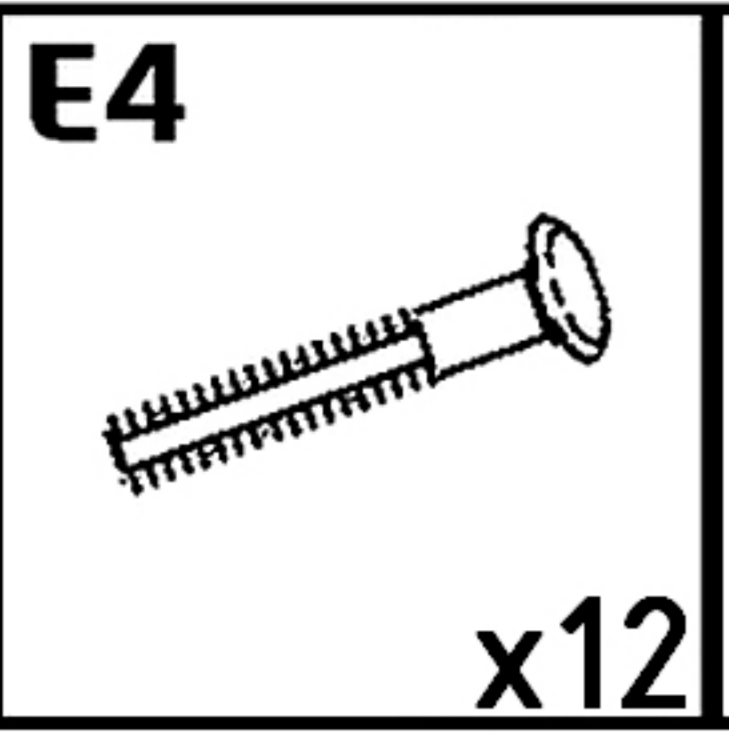
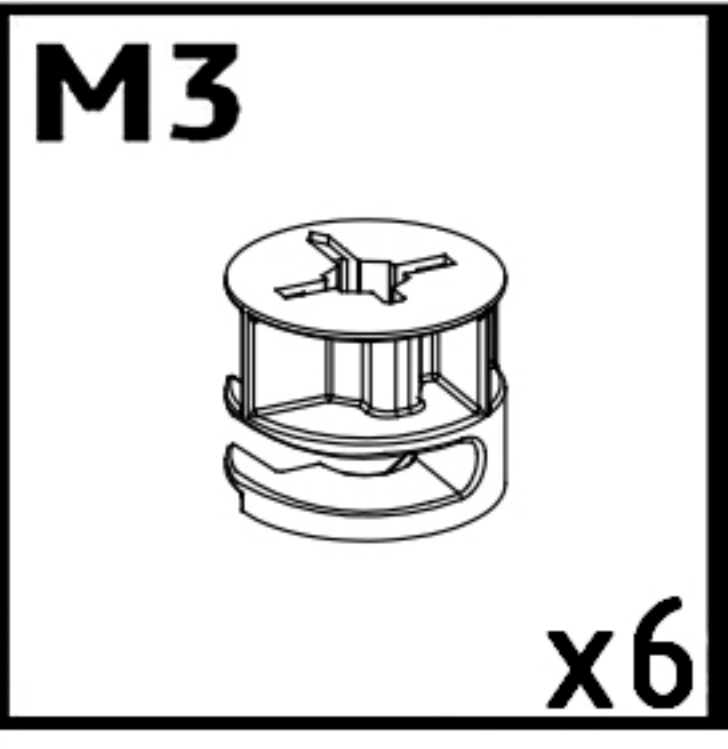


K1  x1	F2  x4
---	--

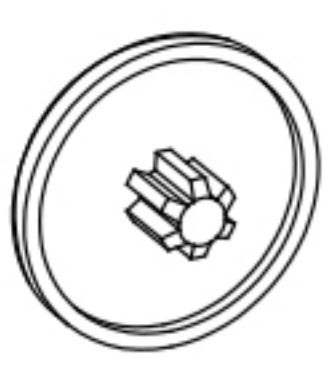




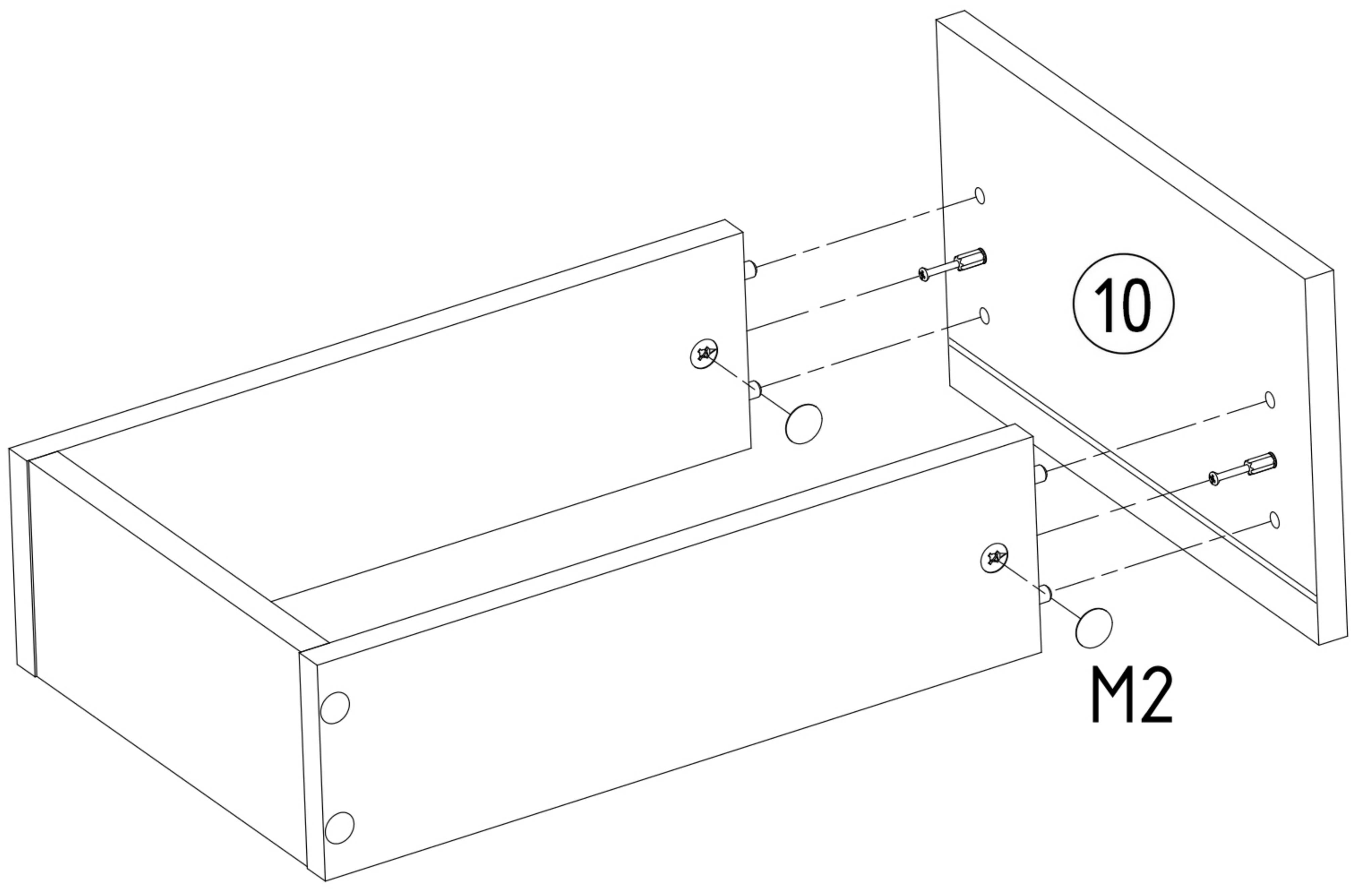
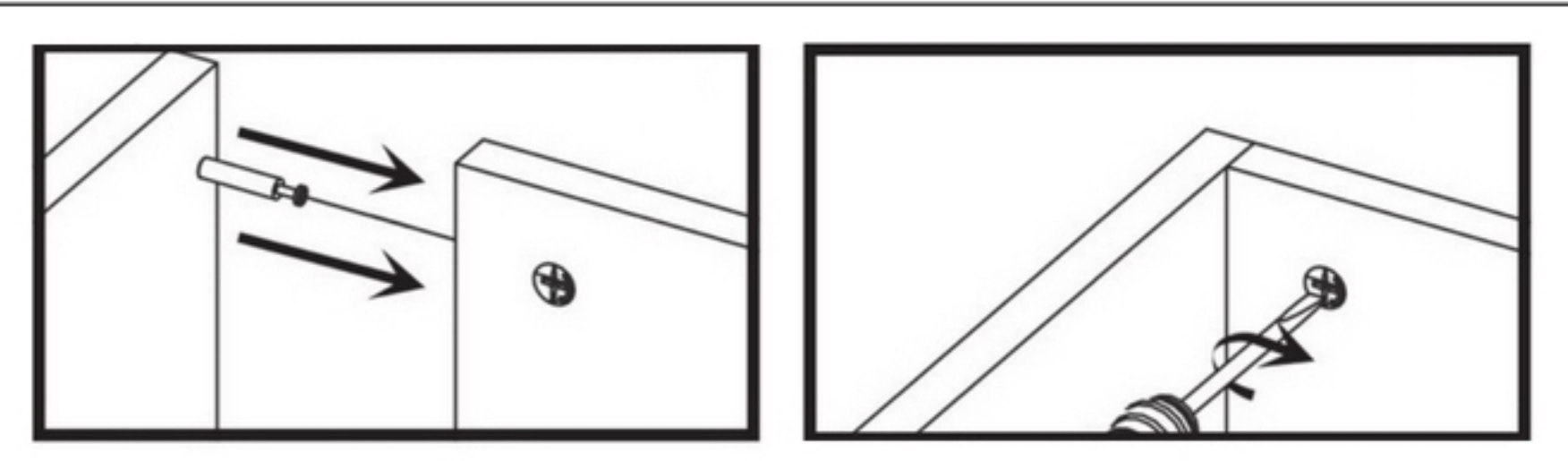




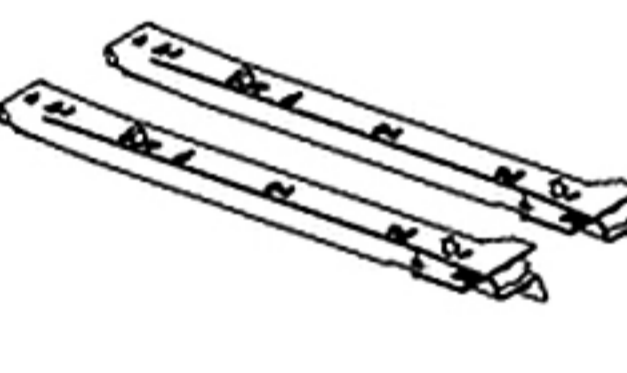


M2

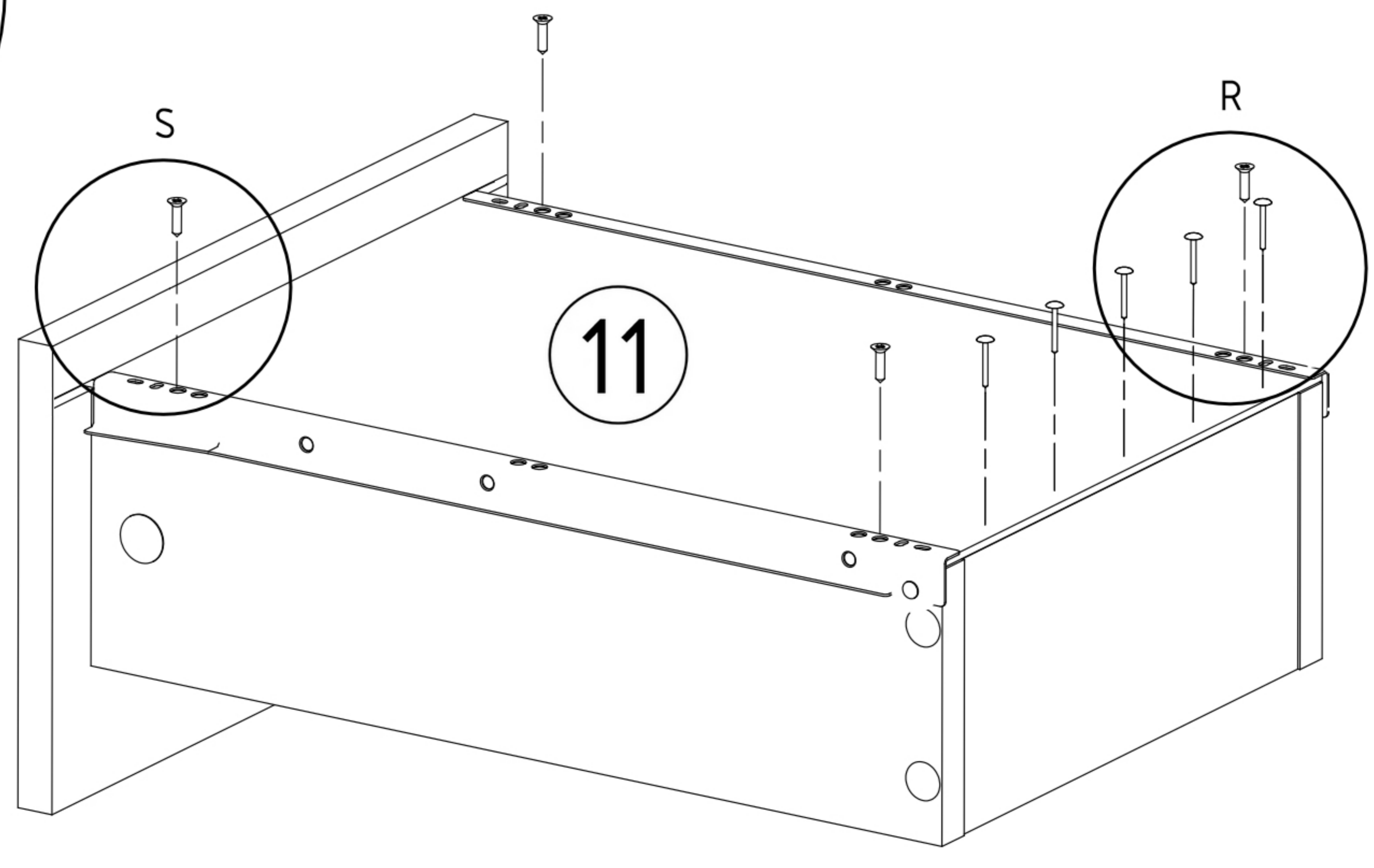
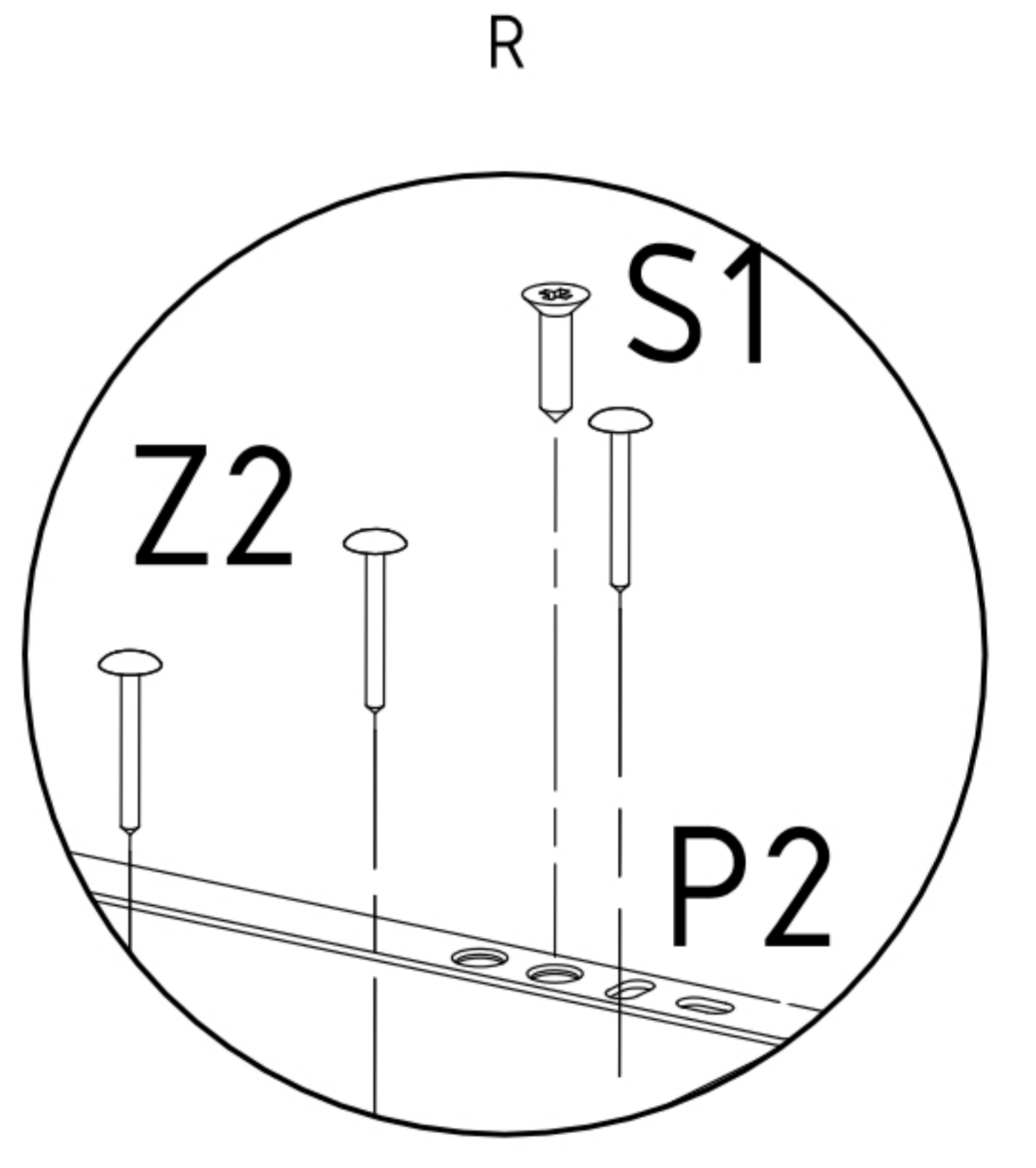
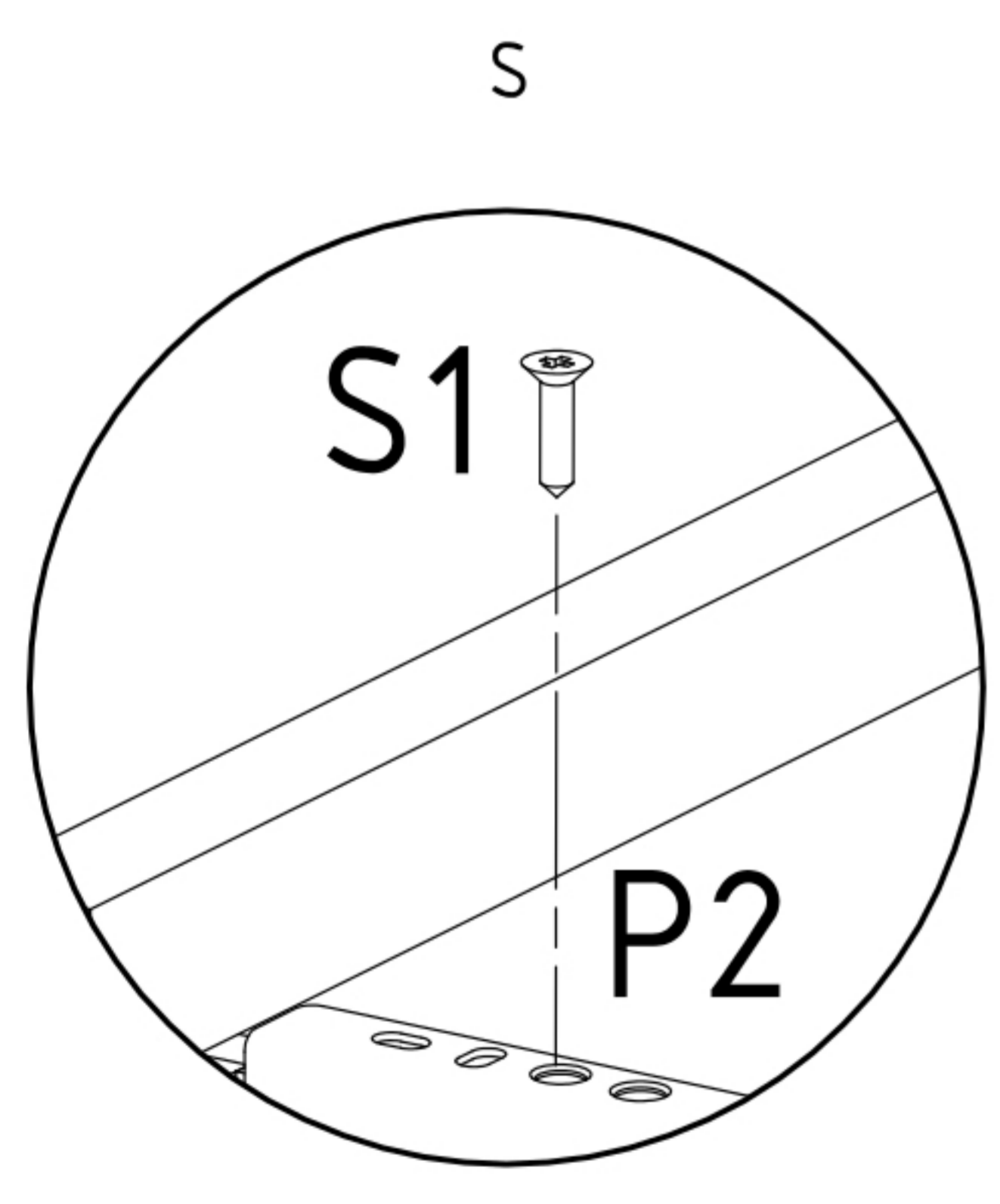


x6



x3

<p>P2</p>  <p>x3</p>	<p>S1</p>  <p>x12</p>	<p>Z2</p>  <p>x15</p>
--	--	--



x3

