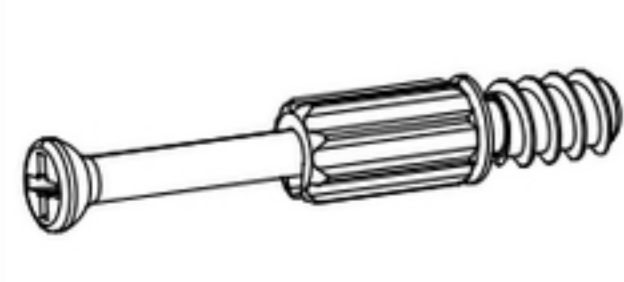
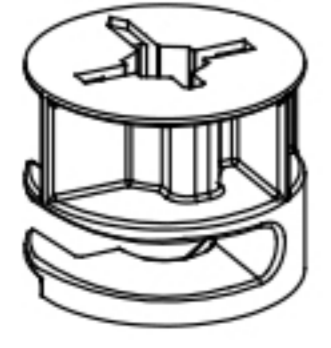
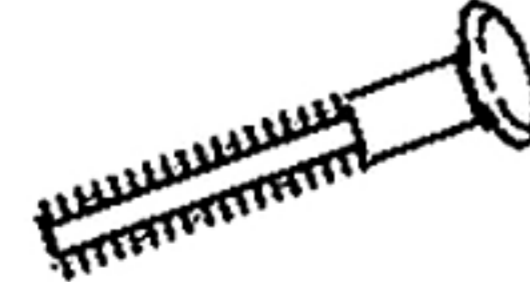

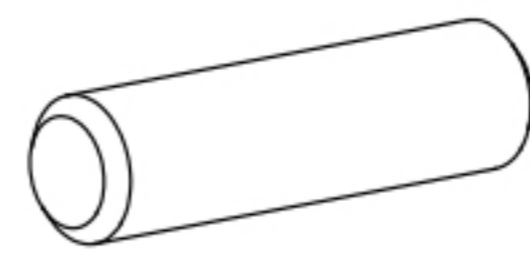
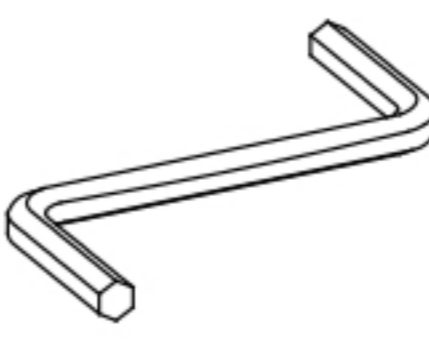



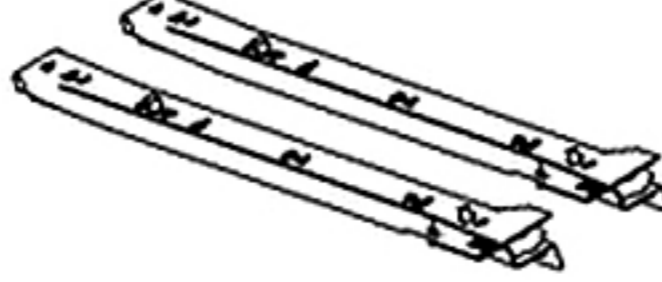
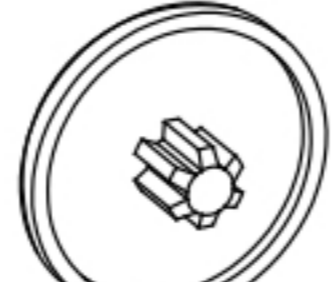
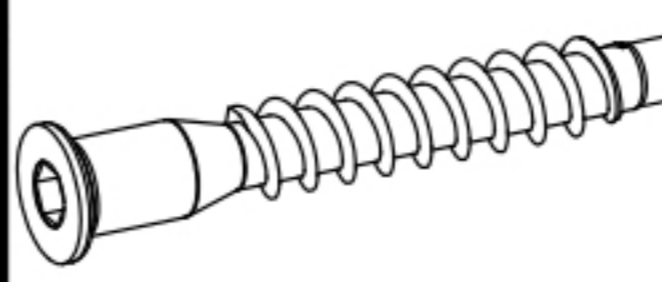
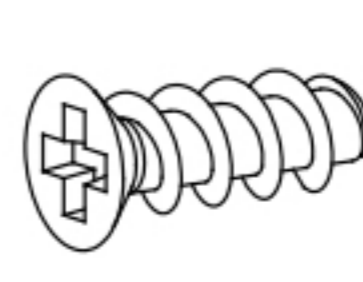
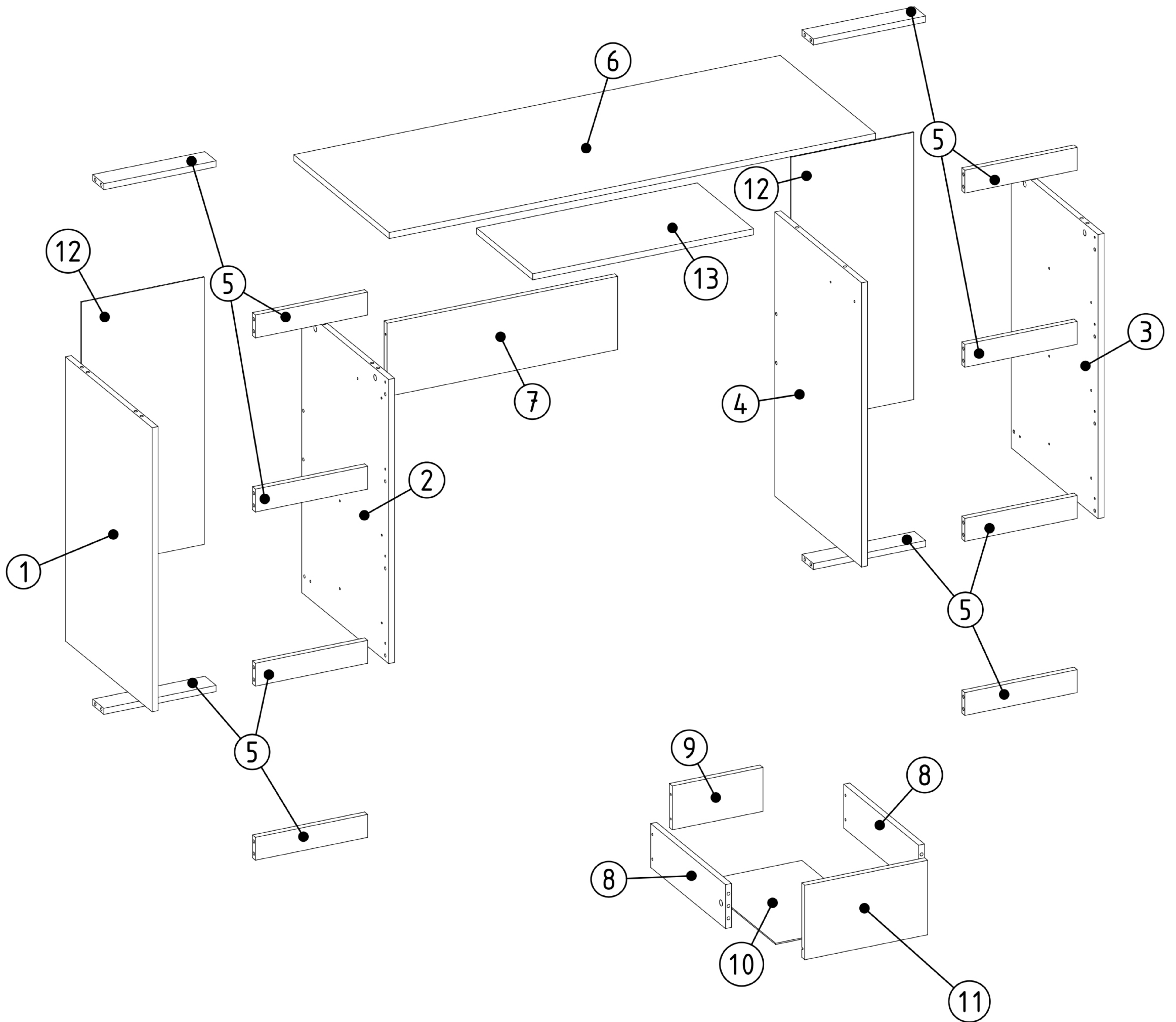
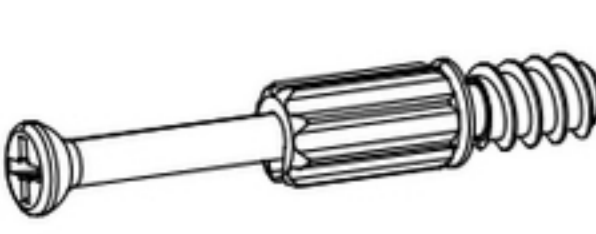

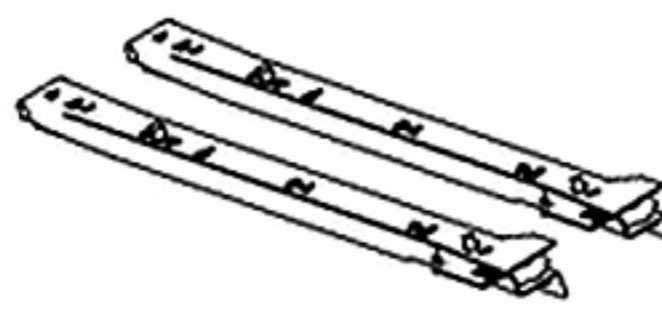





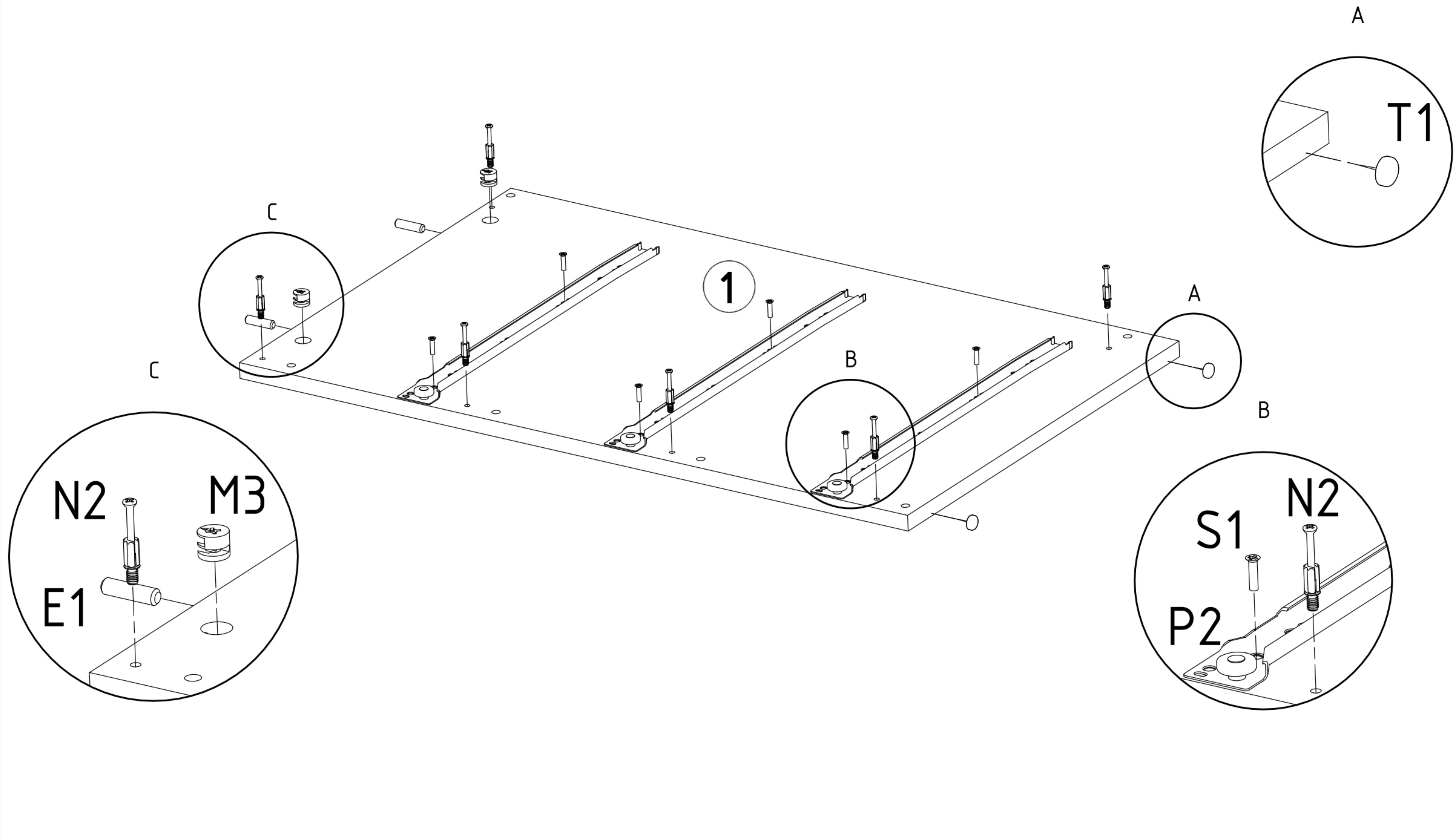
<p><b>N2</b></p>  <p>L=35mm <b>x44</b></p>	<p><b>M3</b></p>  <p>12x15mm <b>x44</b></p>	<p><b>E4</b></p>  <p>L=42mm <b>x24</b></p>	<p><b>S1</b></p>  <p>3,5x16mm <b>x28</b></p>	<p><b>E1</b></p>  <p>8x30mm <b>x56</b></p>	<p><b>K1</b></p>  <p><b>x1</b></p>	
<p><b>T1</b></p>  <p><b>x8</b></p>	<p><b>Z2</b></p>  <p><b>x100</b></p>	<p><b>P3</b></p>  <p>L=300mm <b>x1</b></p>	<p><b>P2</b></p>  <p>L=400mm <b>x6</b></p>	<p><b>M2</b></p>  <p>ø17mm <b>x12</b></p>	<p><b>F2</b></p>  <p>7x50mm <b>x4</b></p>	<p><b>S15</b></p>  <p>6x8mm <b>x28</b></p>

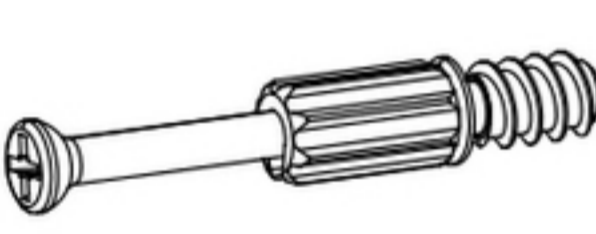

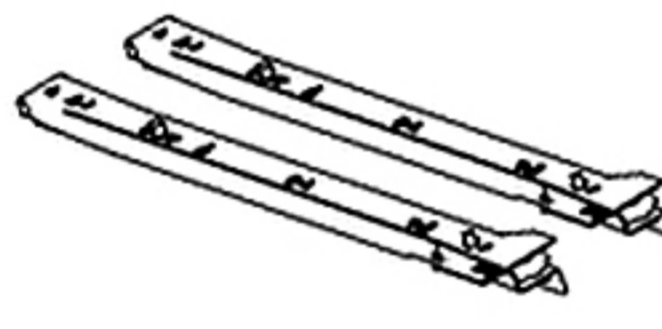





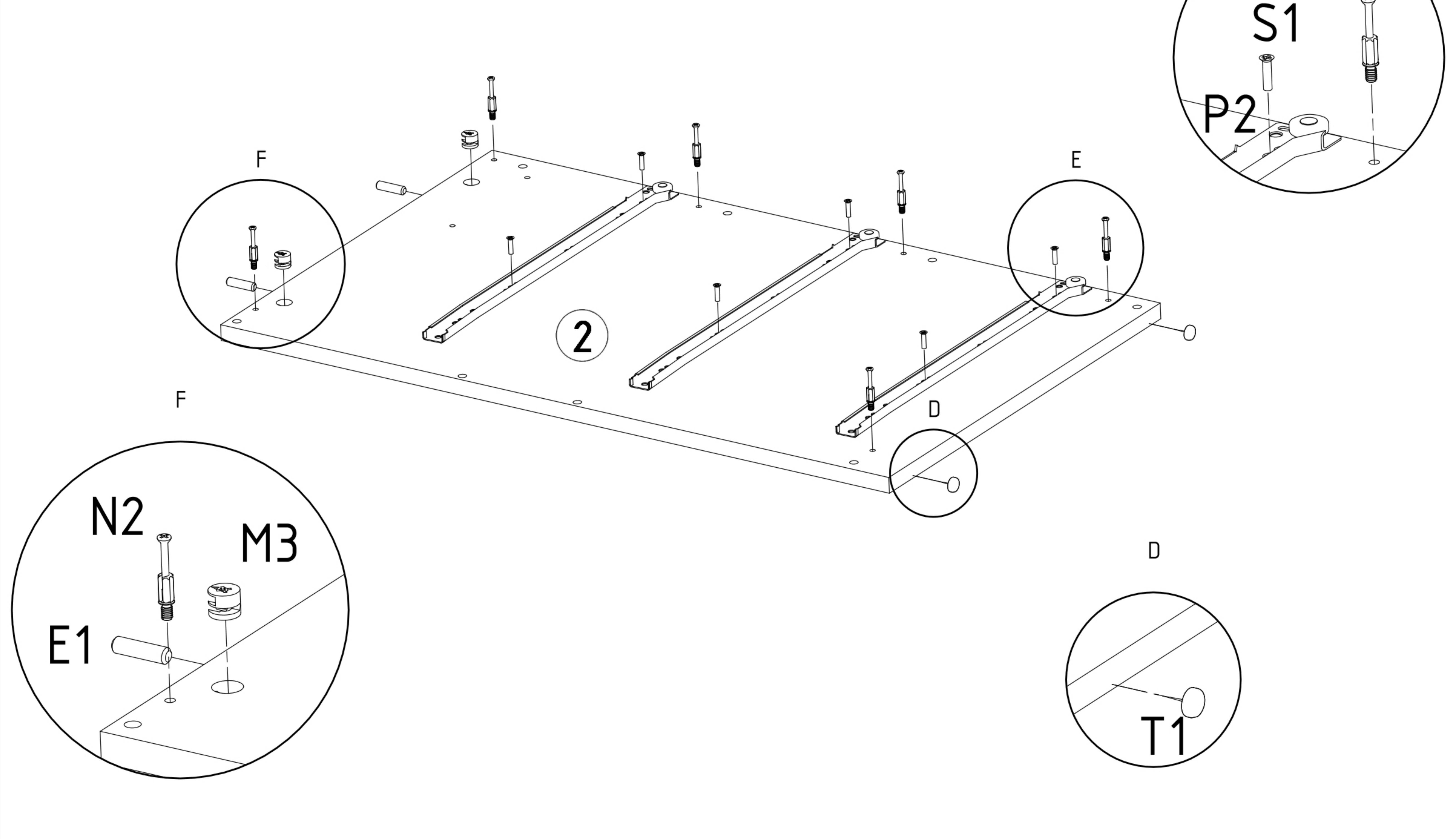
<b>1</b>	x	1
<b>2</b>	x	1
<b>3</b>	x	1
<b>4</b>	x	1
<b>5</b>	x	12
<b>6</b>	x	1
<b>7</b>	x	1

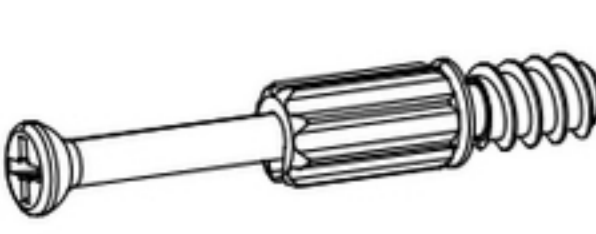

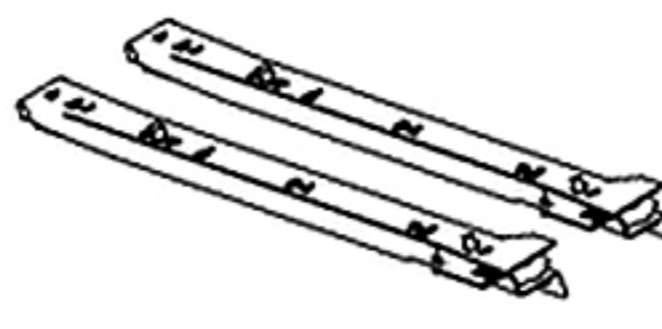



<b>8</b>	x	12
<b>9</b>	x	6
<b>10</b>	x	6
<b>11</b>	x	6
<b>12</b>	x	2
<b>13</b>	x	1

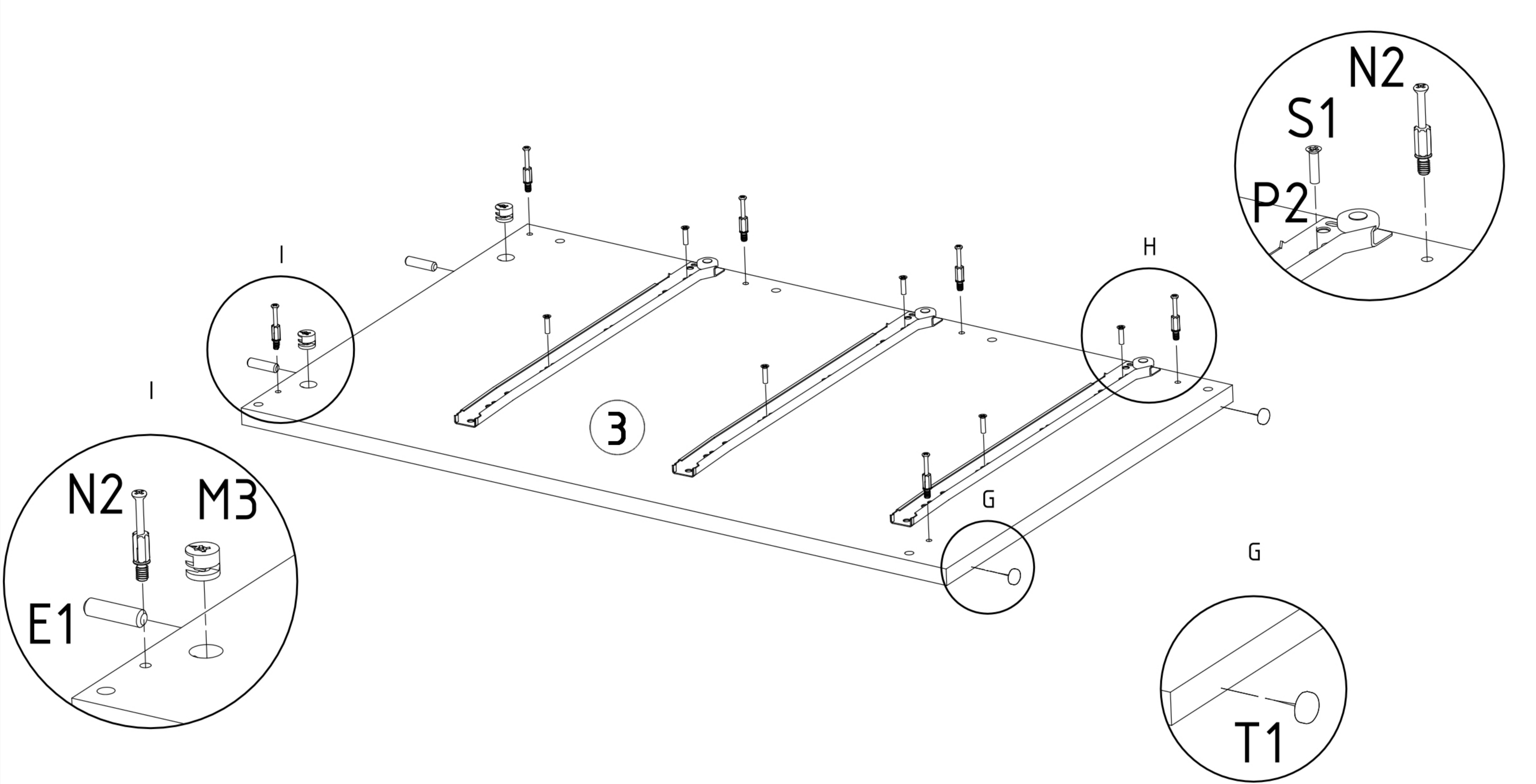
<b>N2</b>  x6	<b>M3</b>  x2	<b>P2</b>  x3	<b>S15</b>  x6	<b>E1</b>  x2	<b>T1</b>  x2
---	--	--	---	---	--

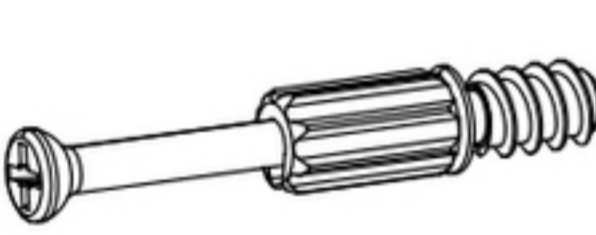

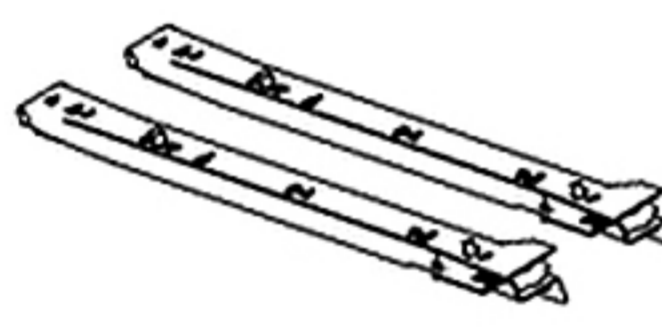





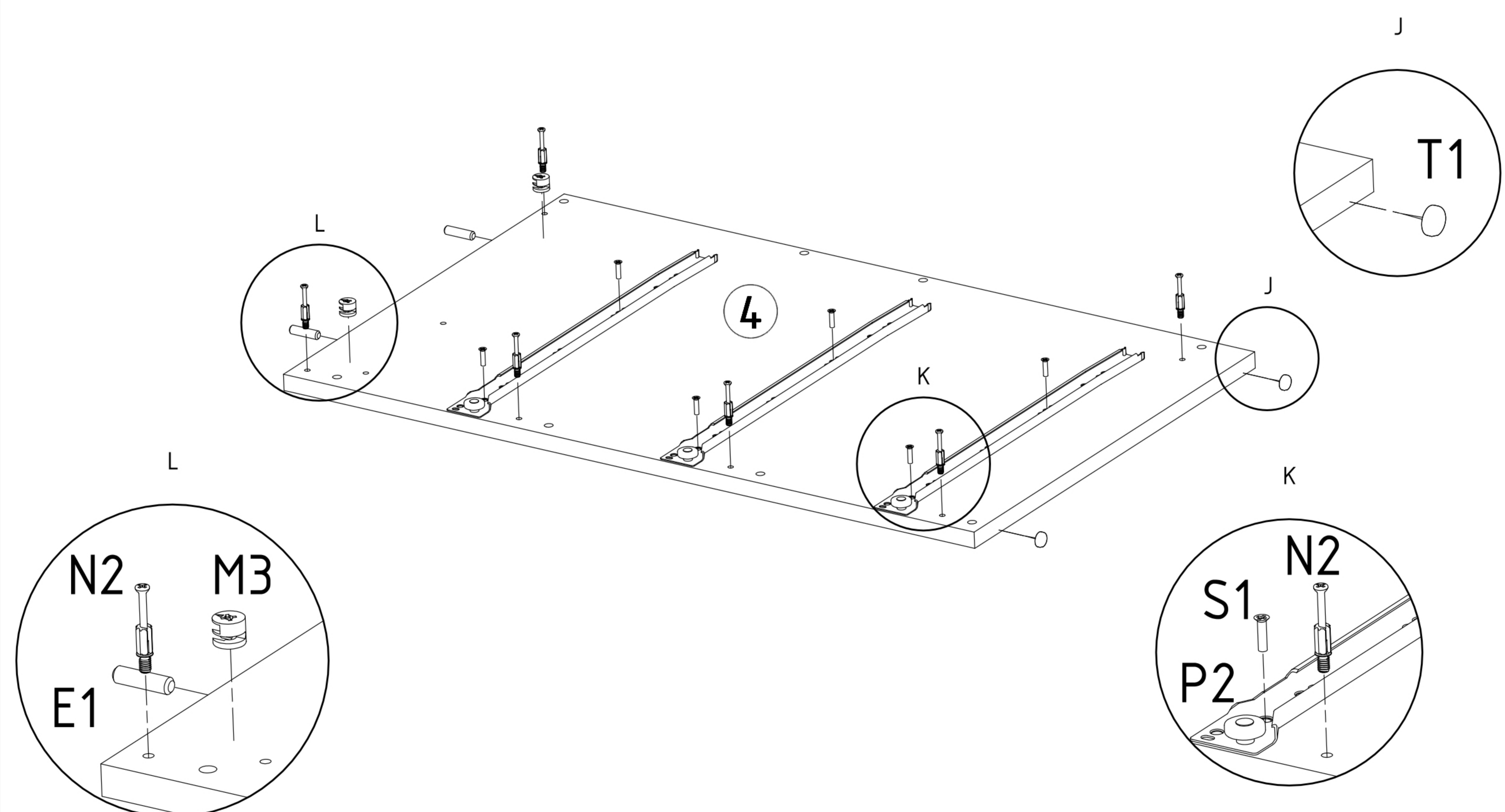
<b>N2</b>  x6	<b>M3</b>  x2	<b>P2</b>  x3	<b>S15</b>  x6	<b>E1</b>  x2	<b>T1</b>  x2
---	--	--	---	---	--

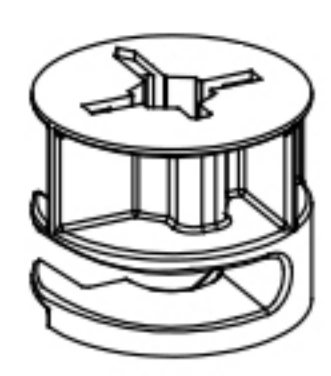
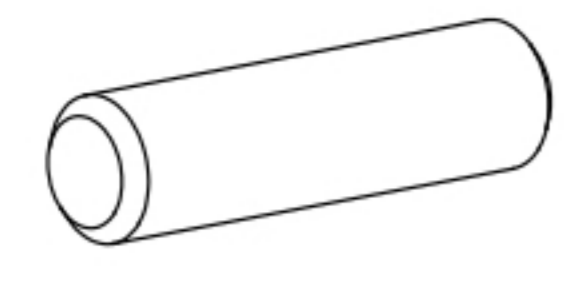


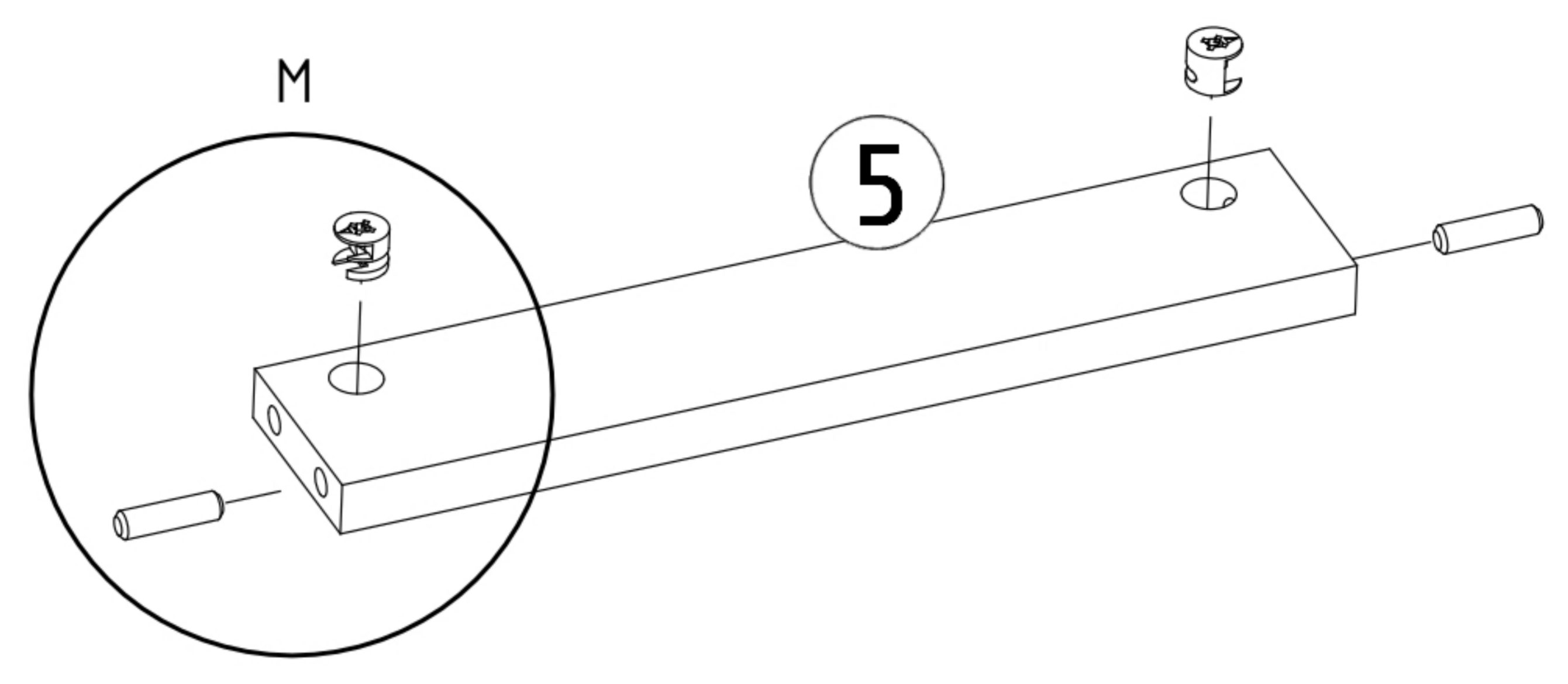
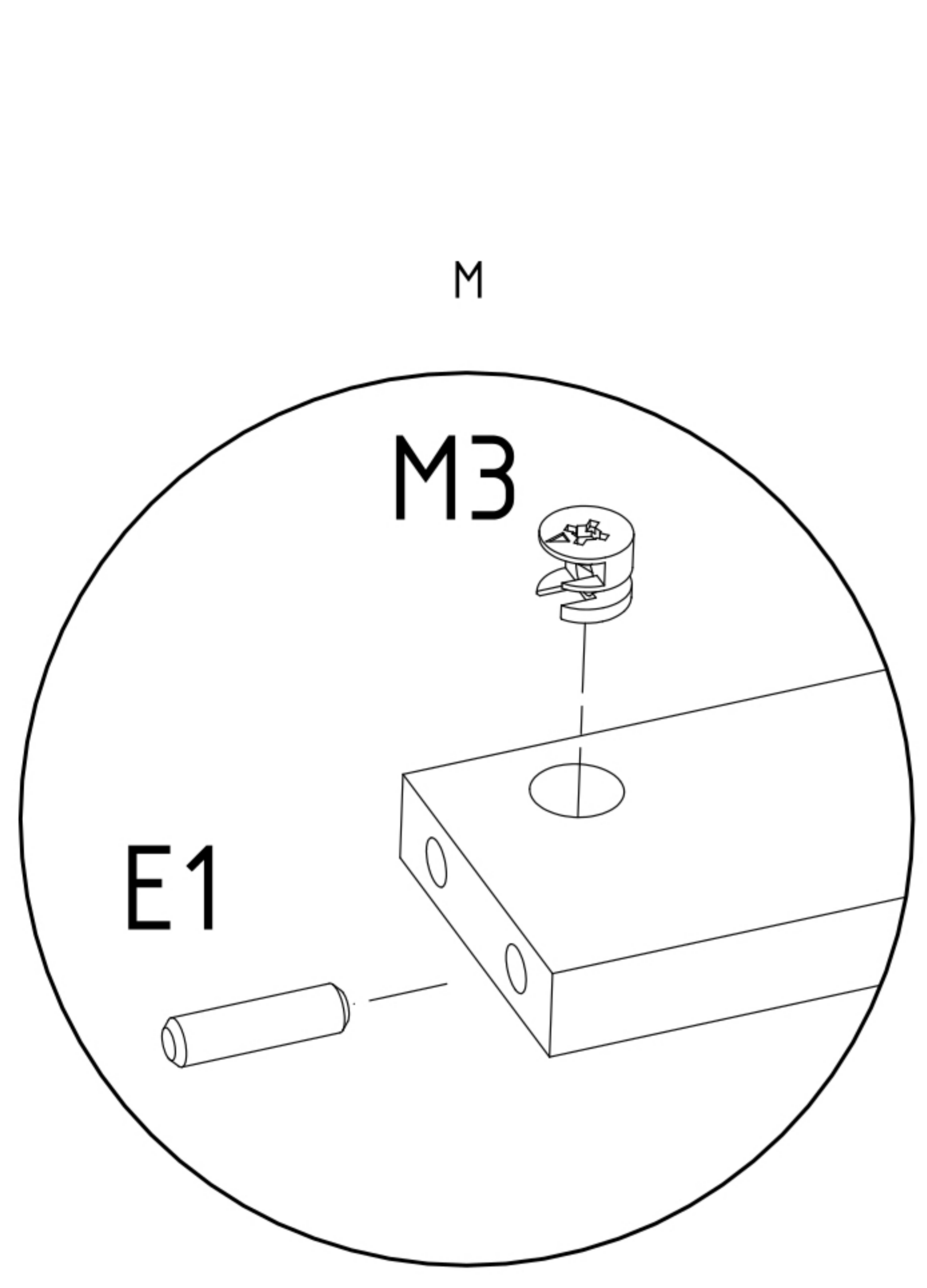
<b>N2</b>  x6	<b>M3</b>  x2	<b>P2</b>  x3	<b>S15</b>  x6	<b>E1</b>  x2	<b>T1</b>  x2
---	--	--	---	---	--



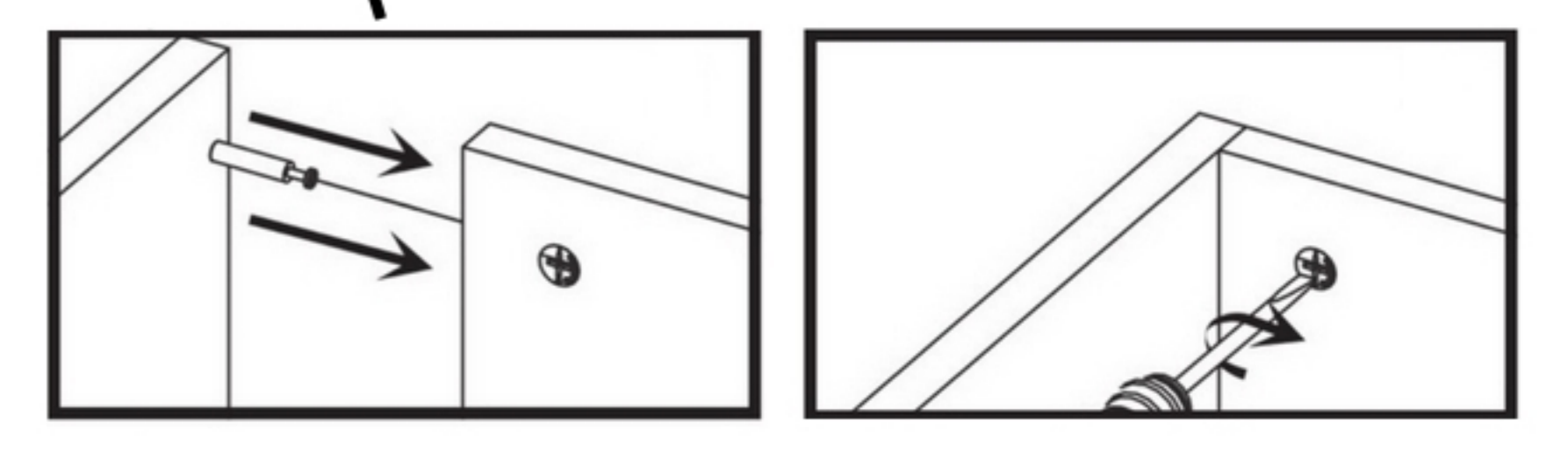
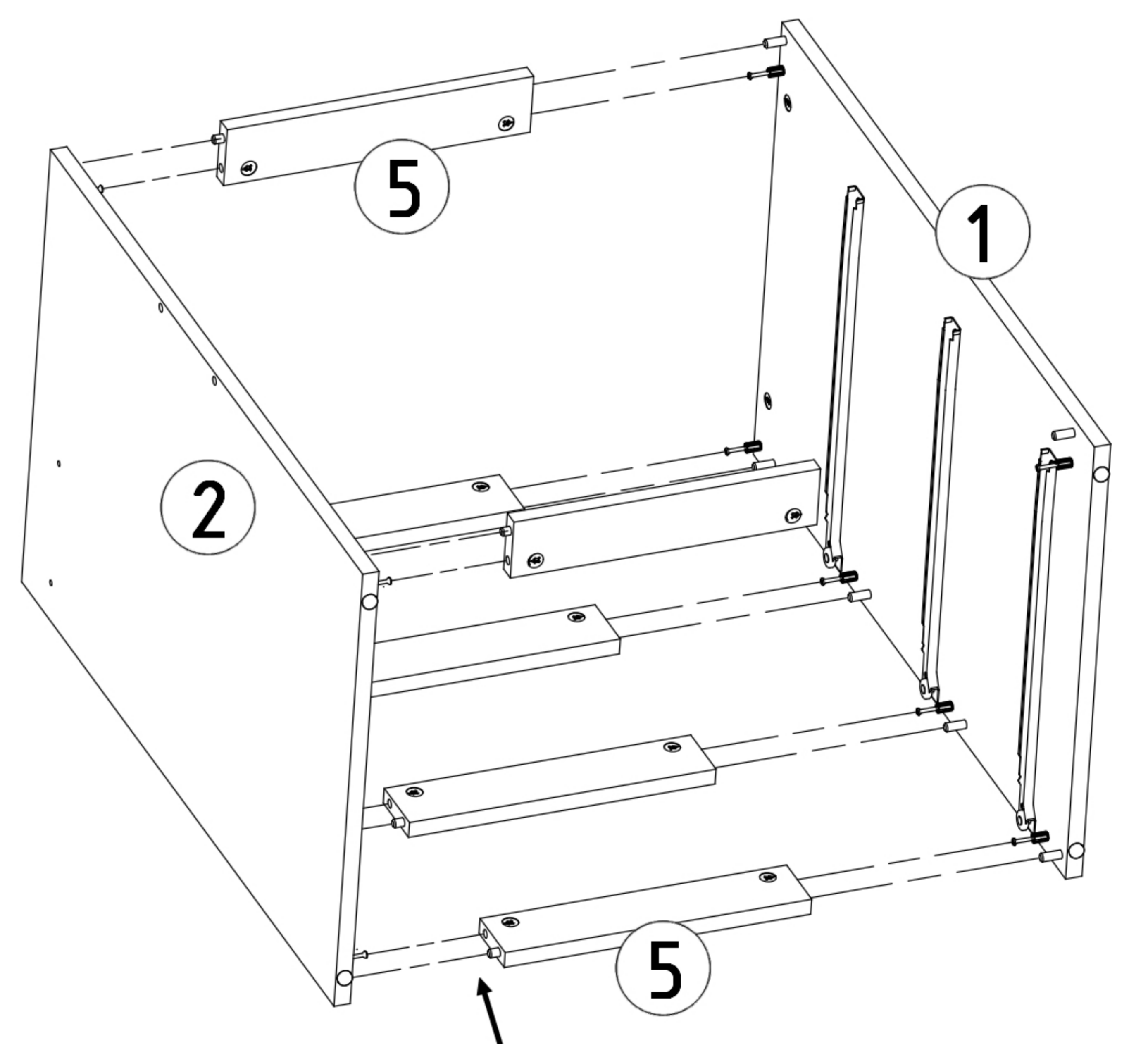
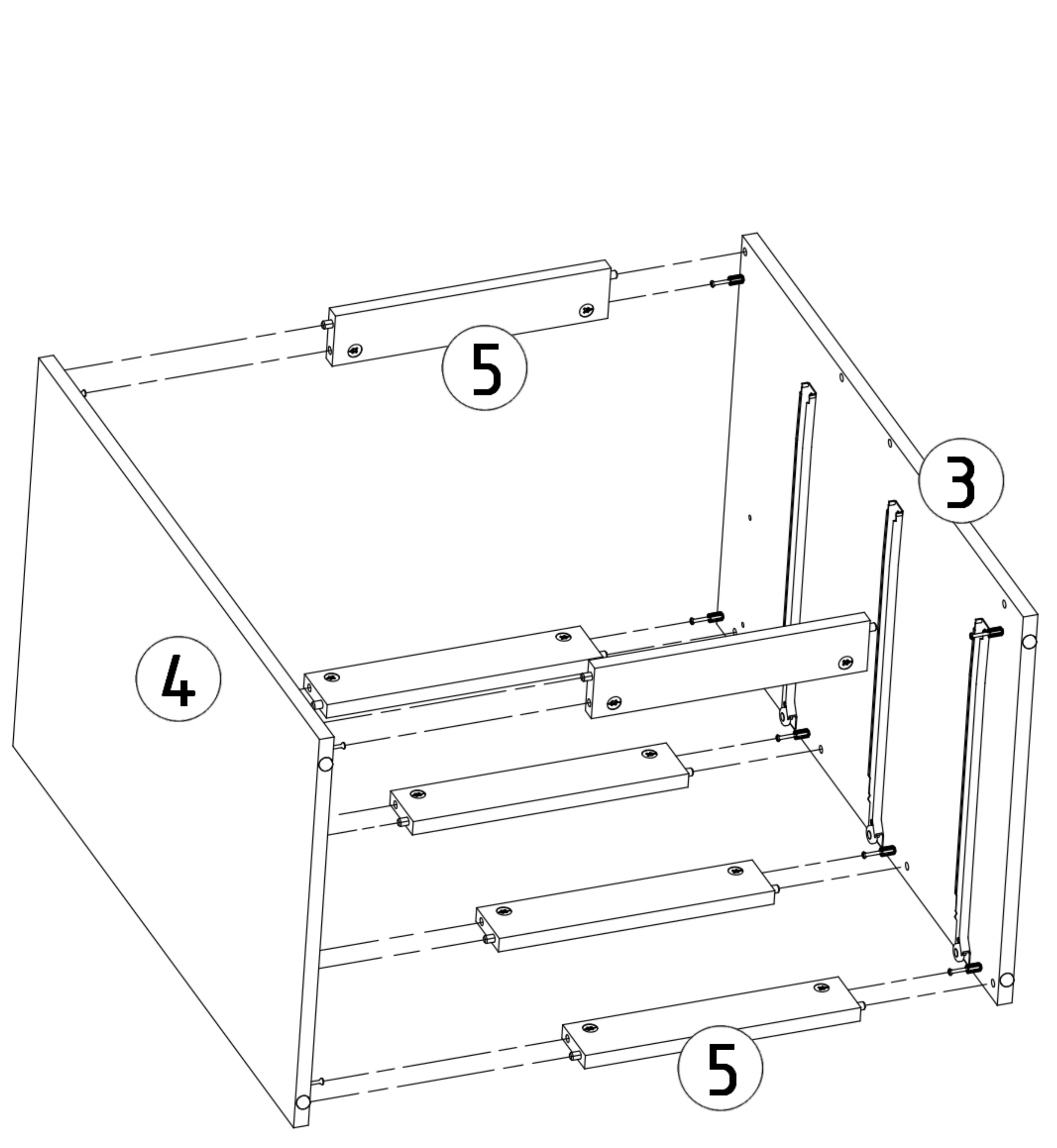
<b>N2</b>  x6	<b>M3</b>  x2	<b>P2</b>  x3	<b>S15</b>  x6	<b>E1</b>  x2	<b>T1</b>  x2
---	--	--	---	---	--

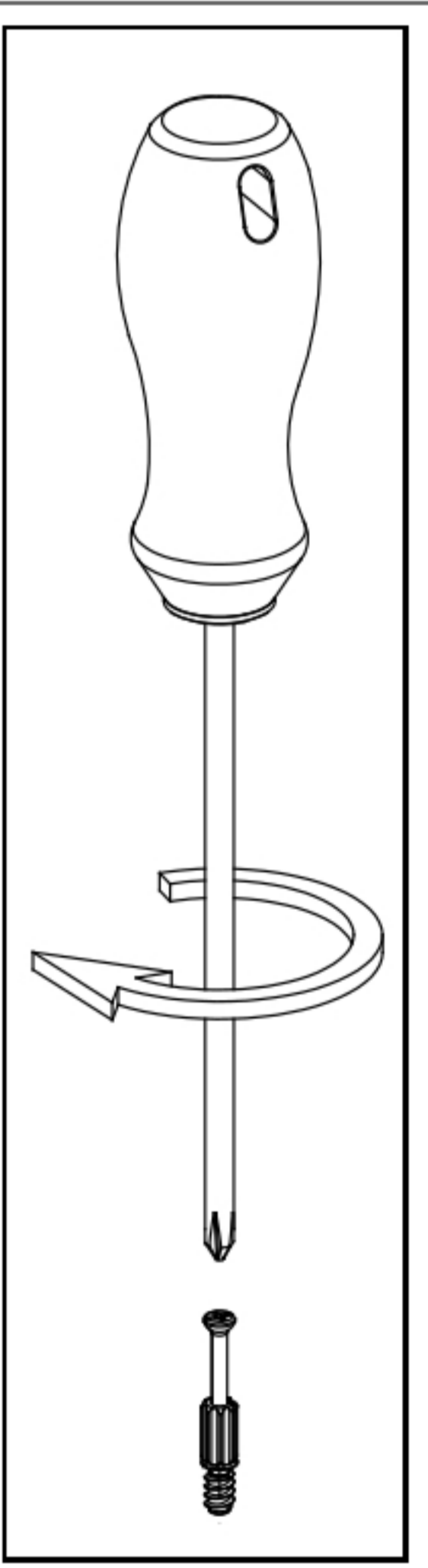
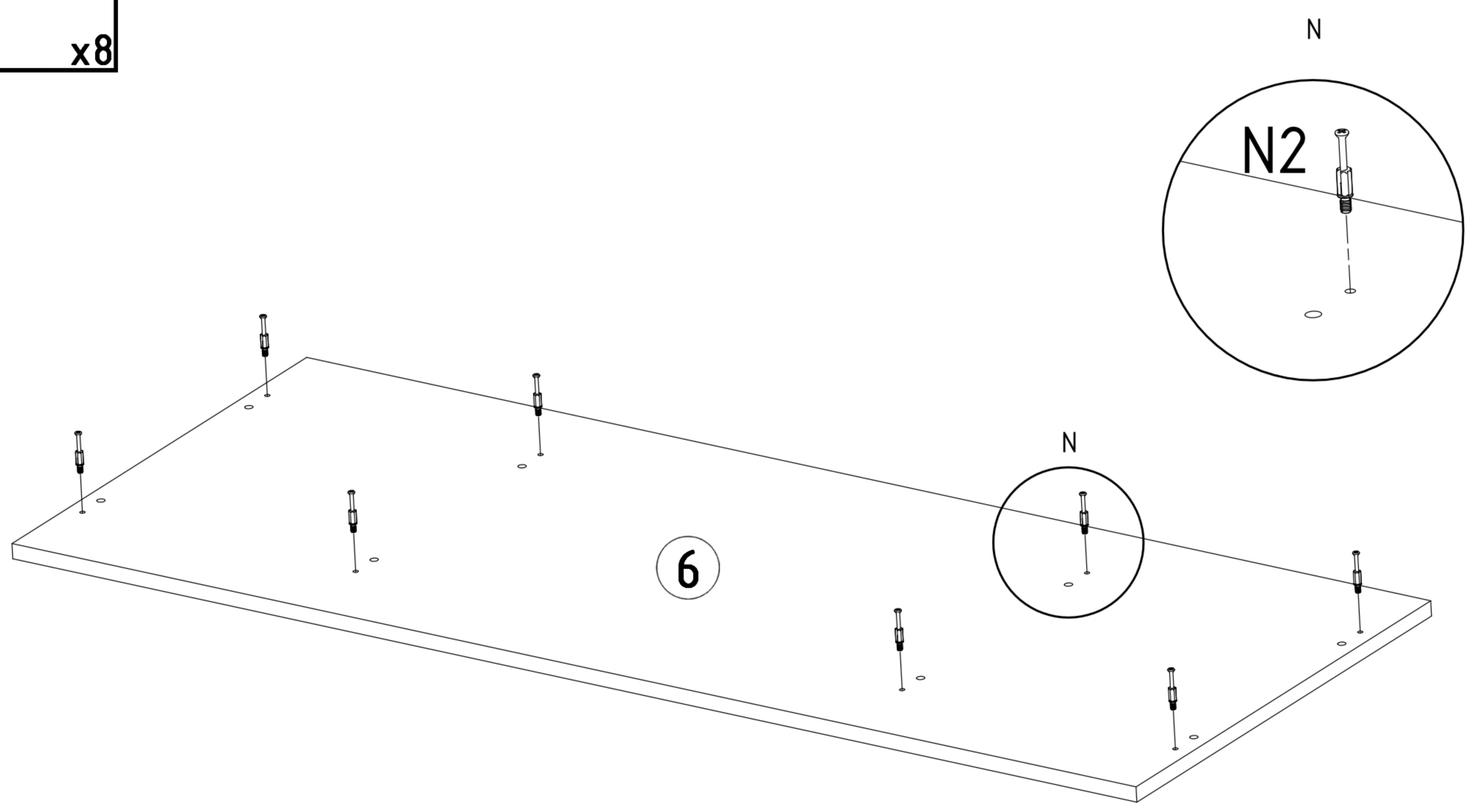
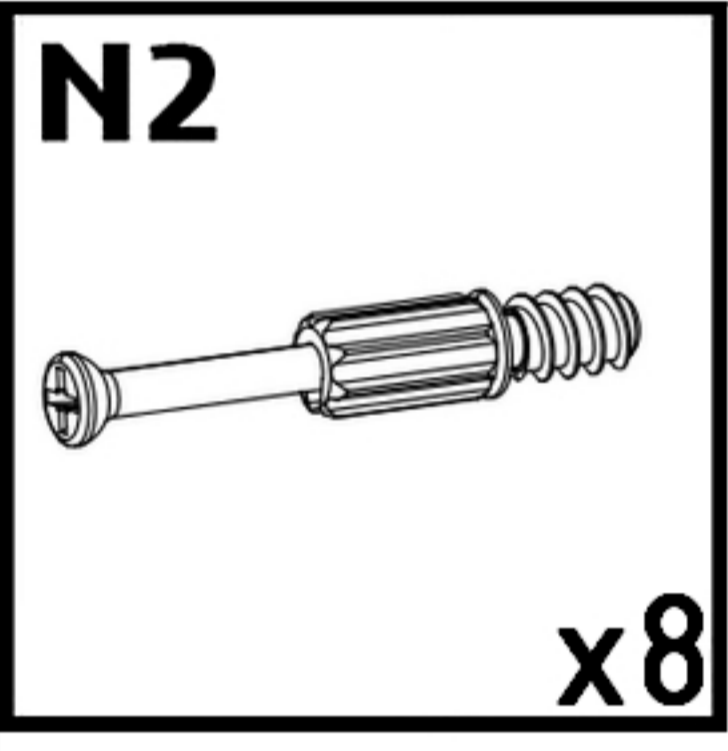
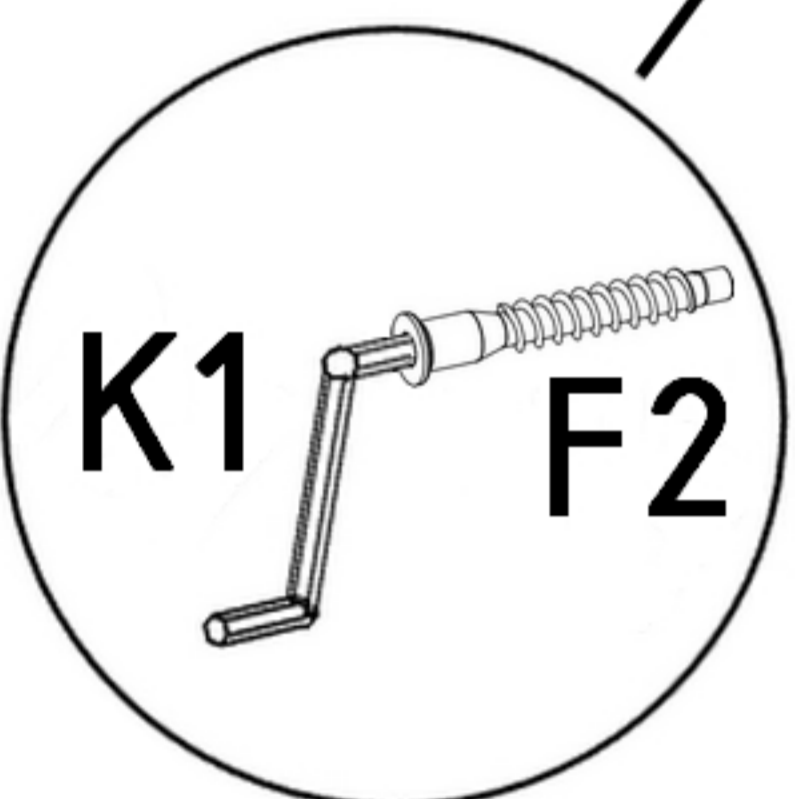
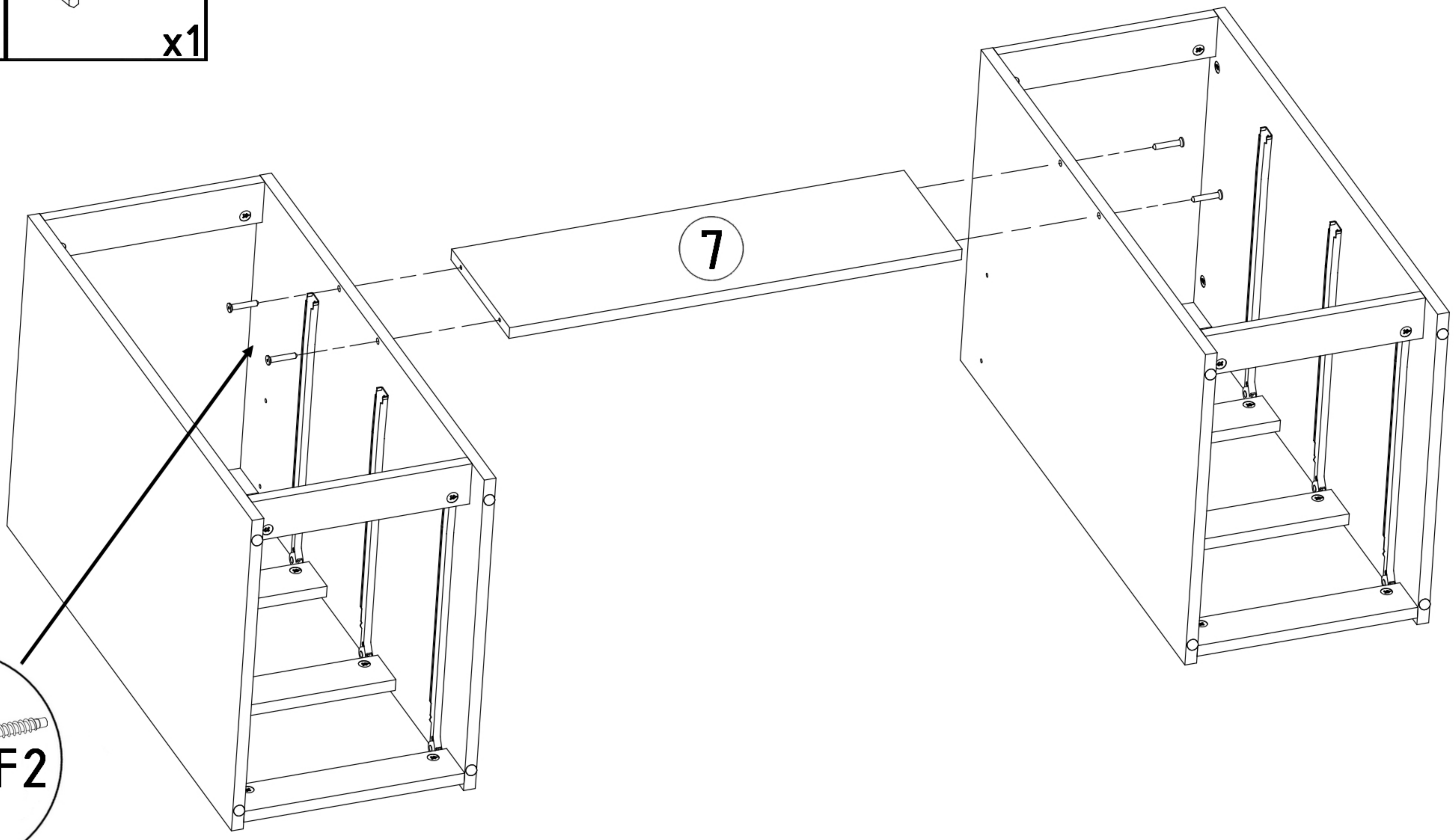
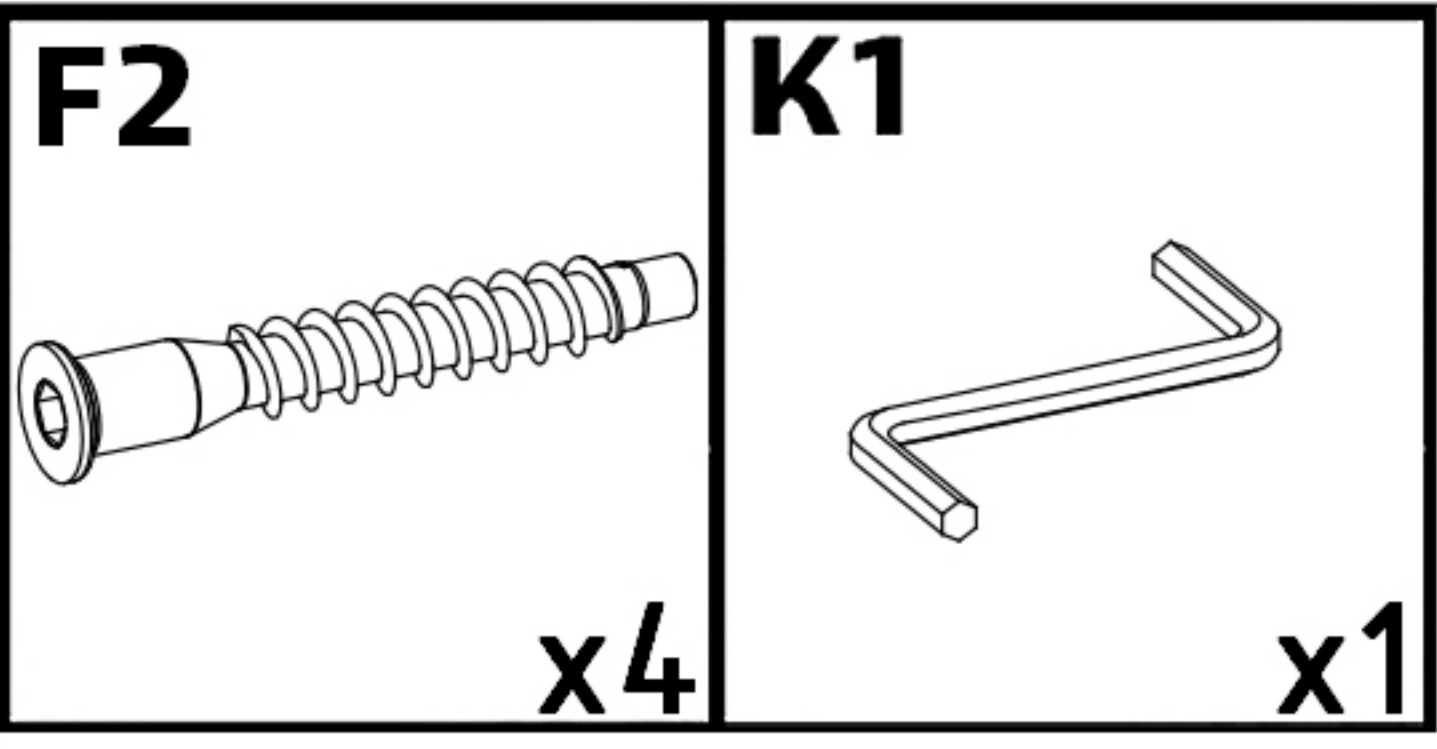


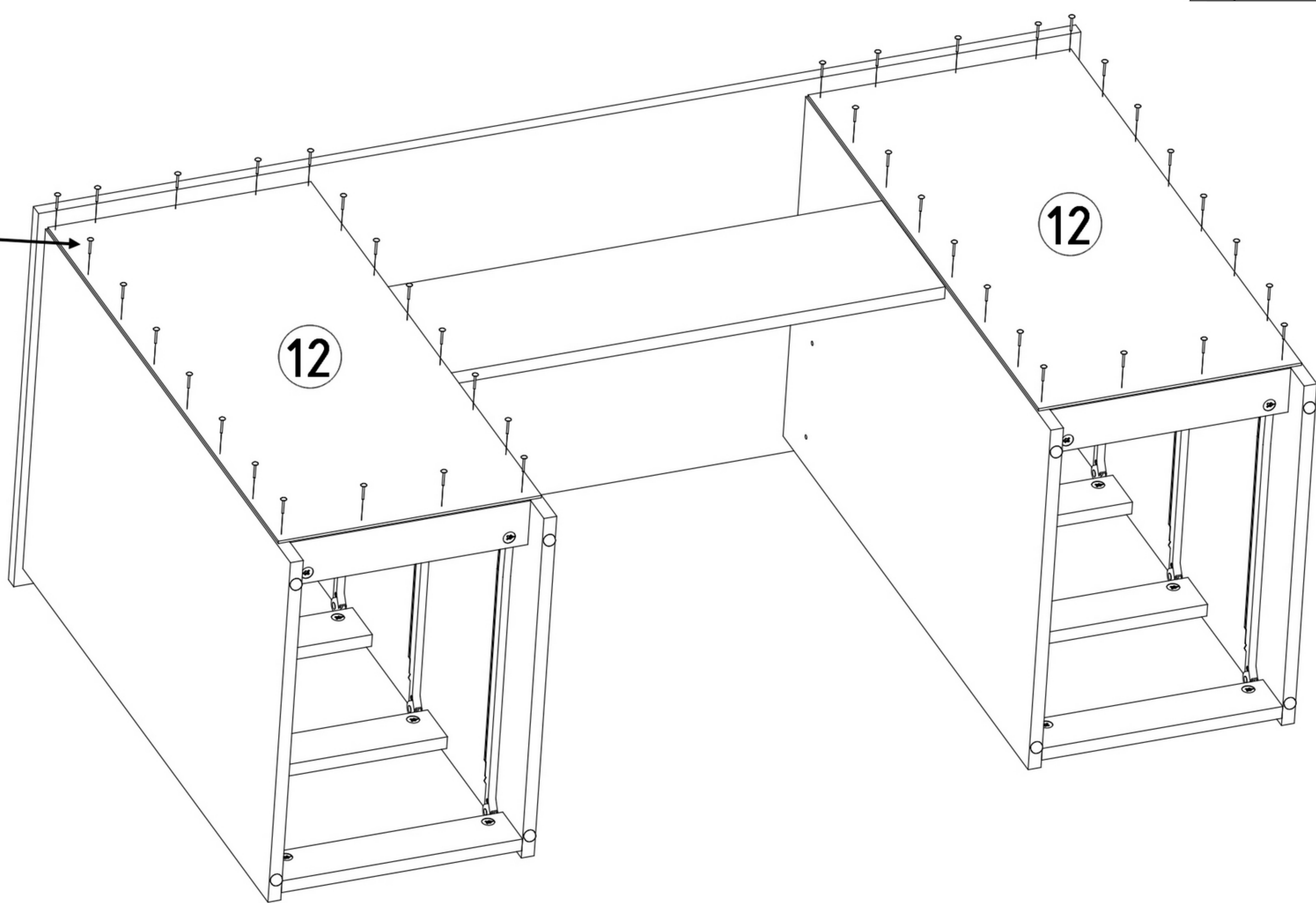
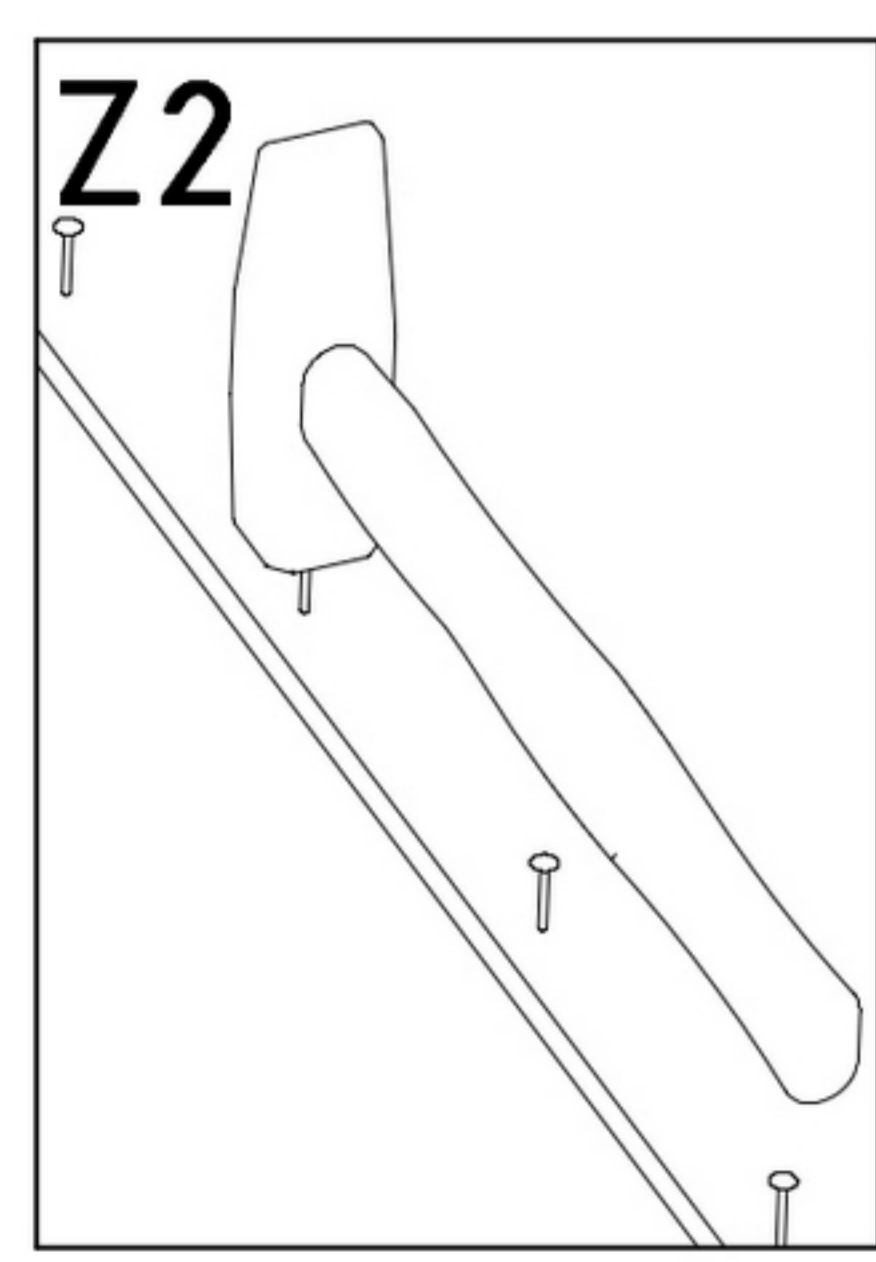
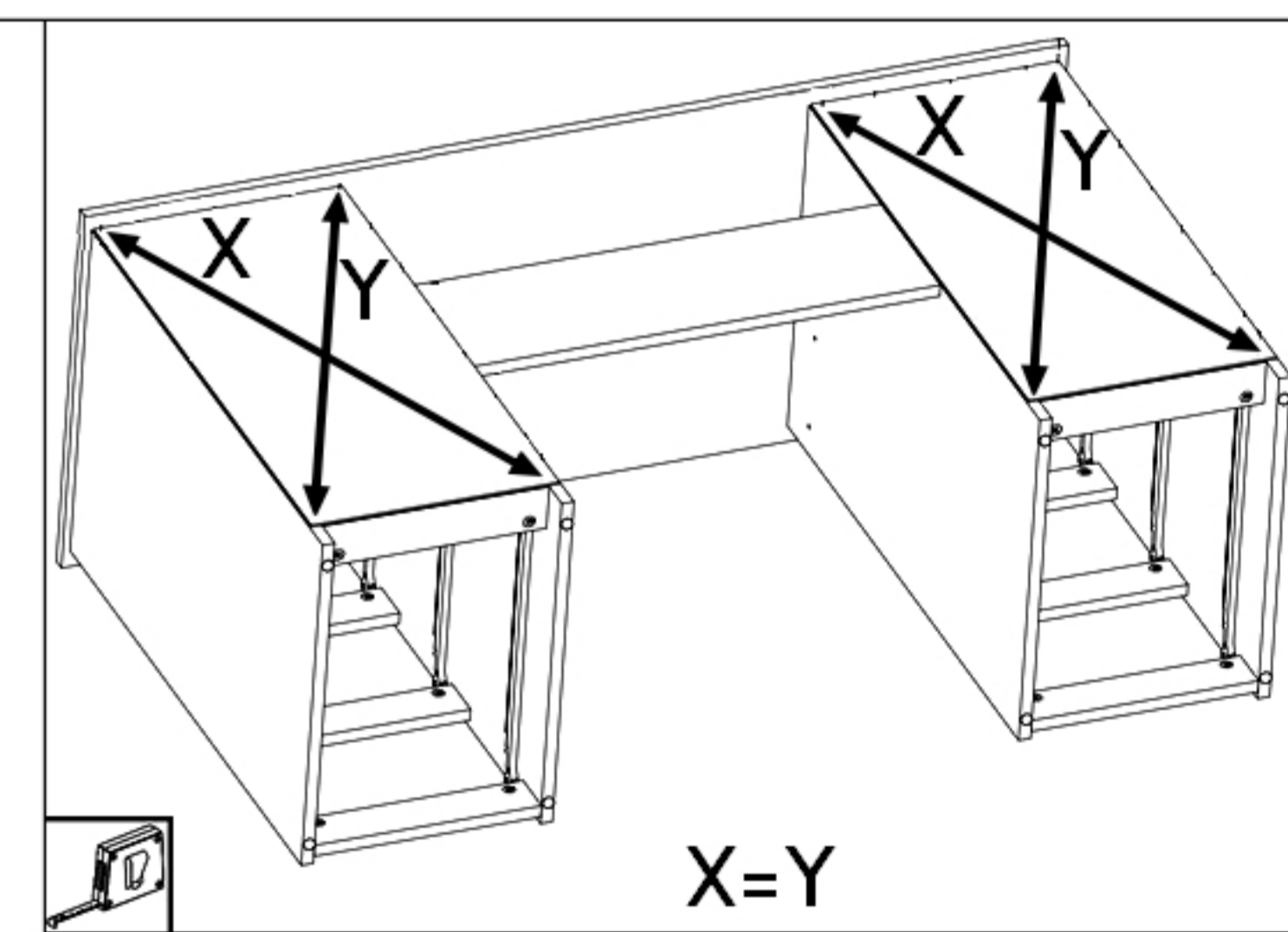
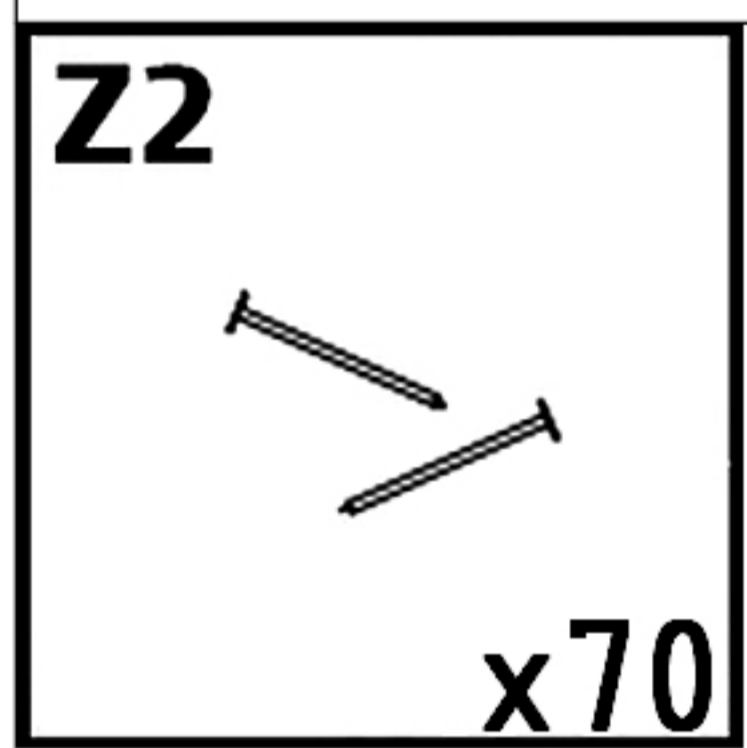
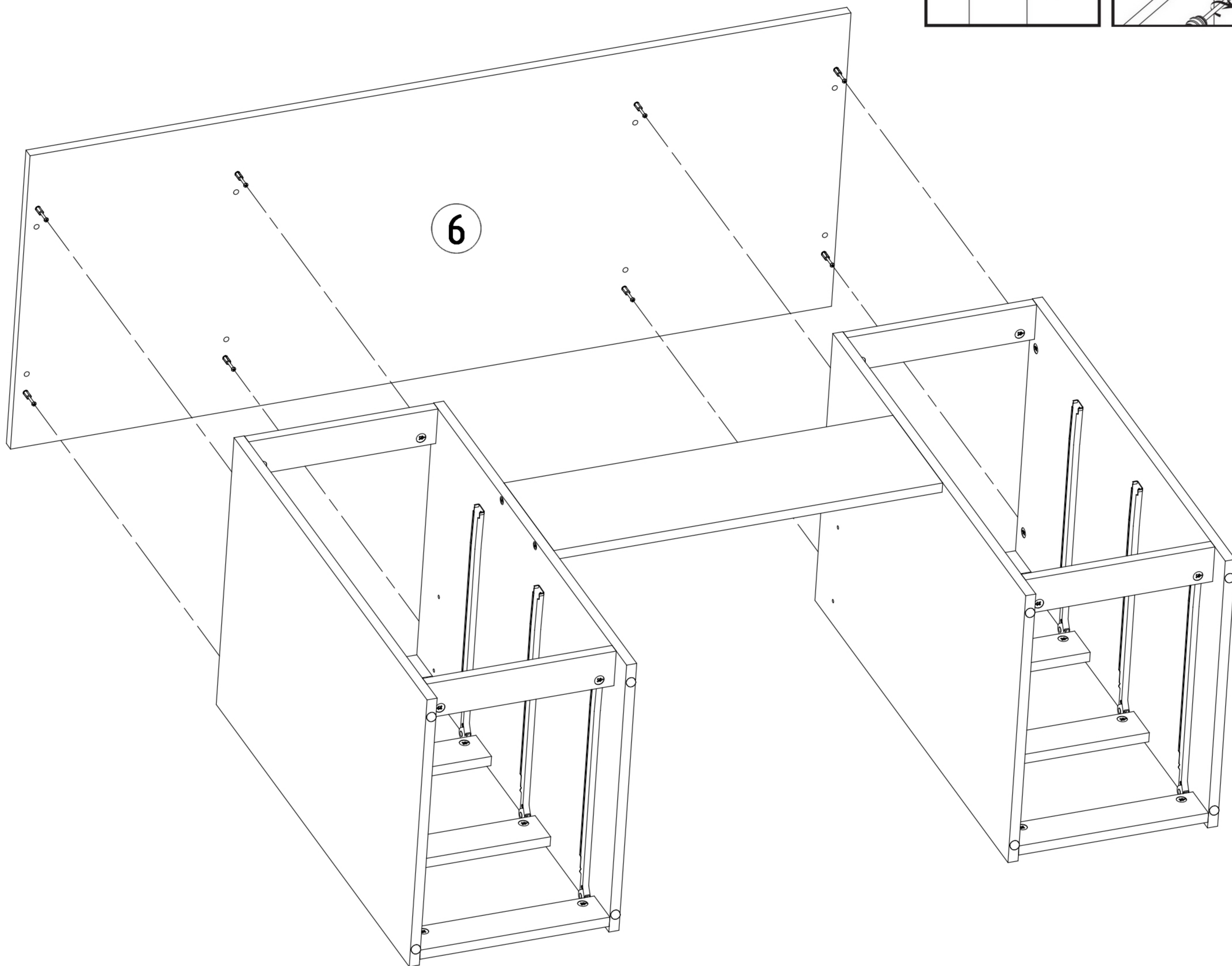
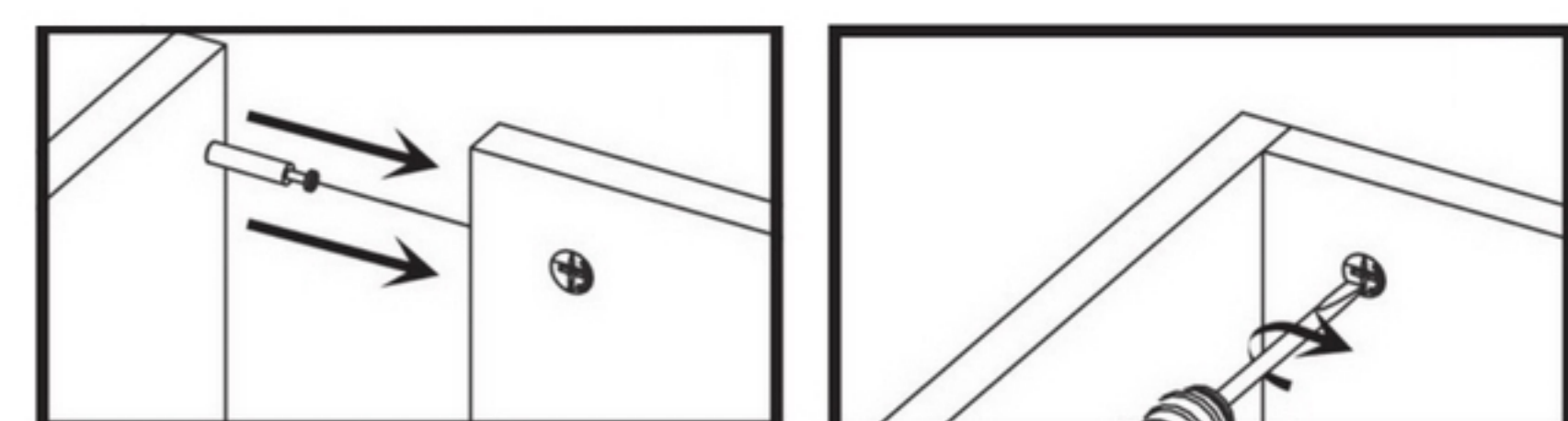
<b>M3</b>  x24	<b>E1</b>  x24
--	---

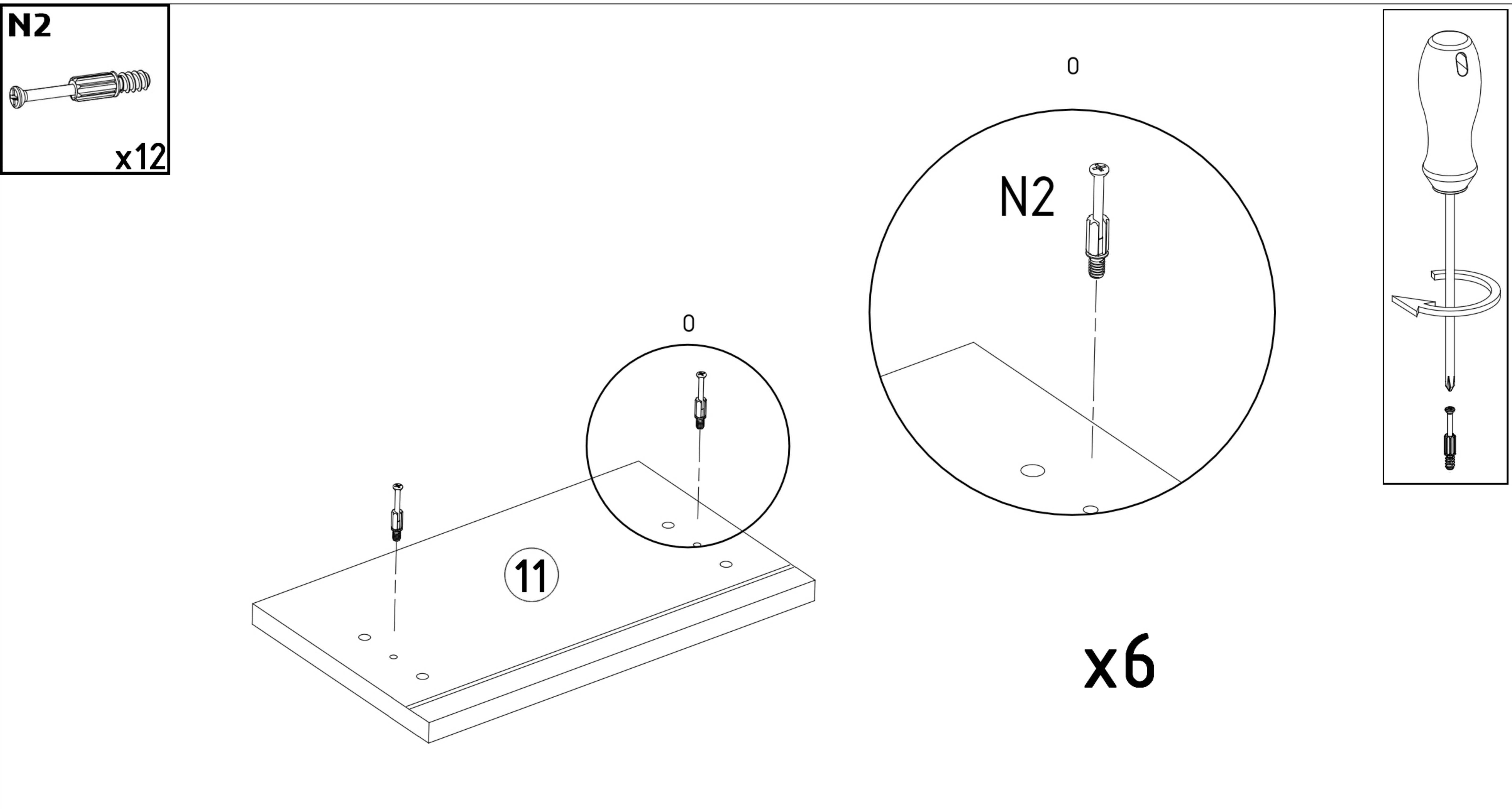
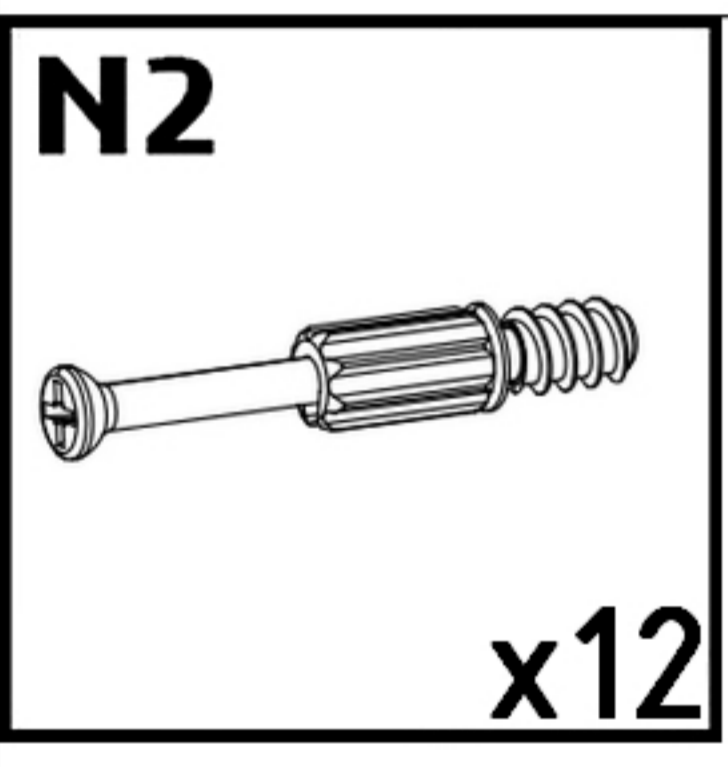
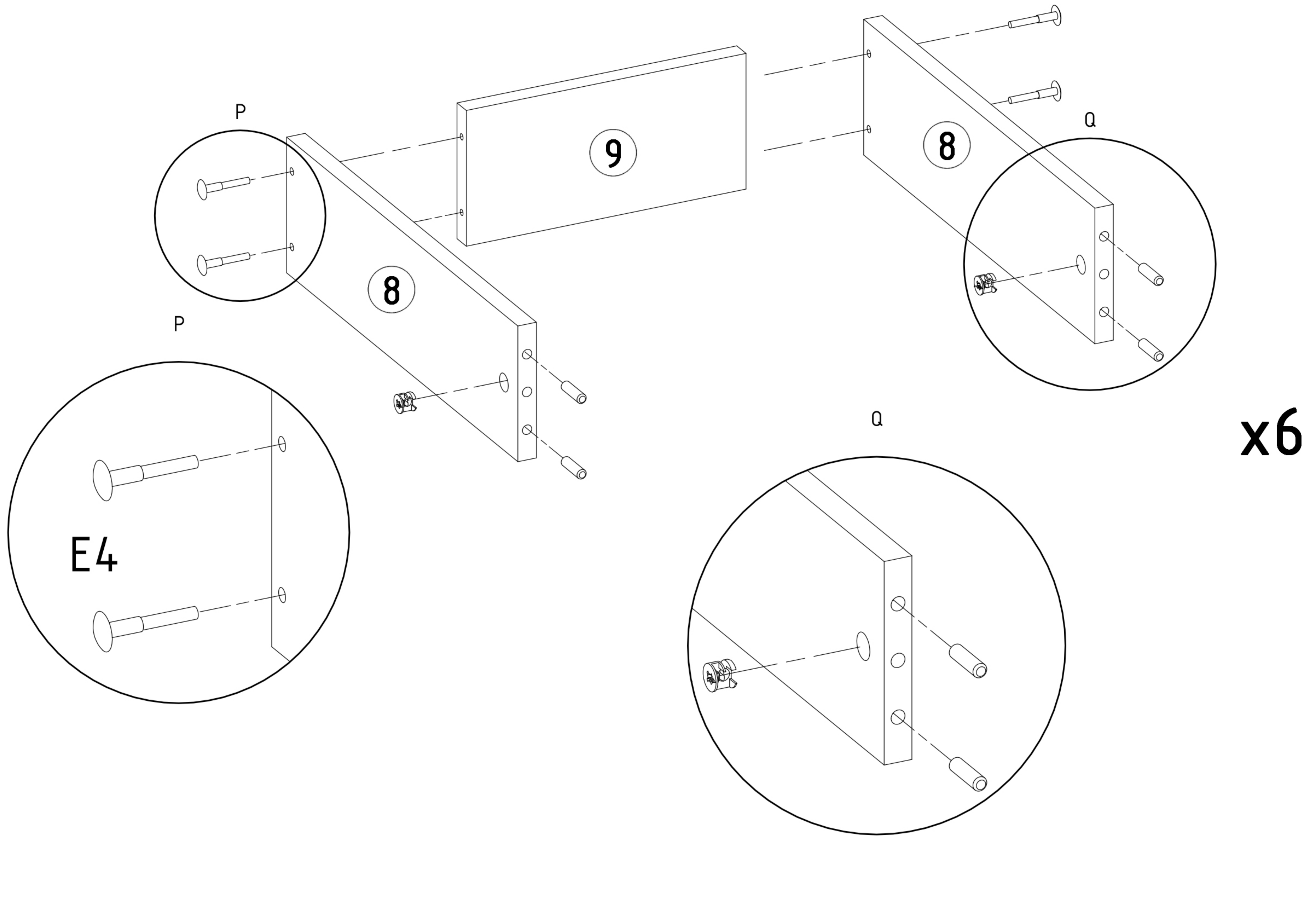
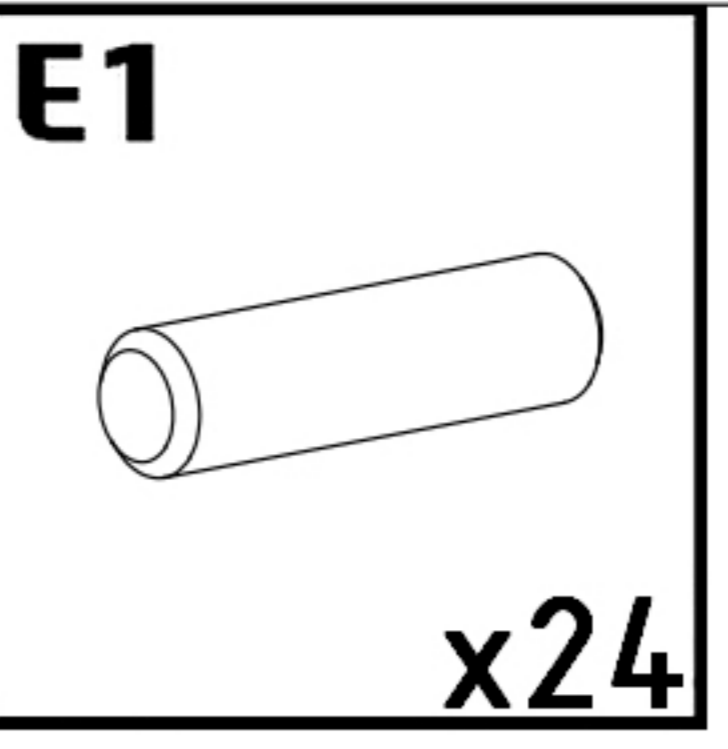
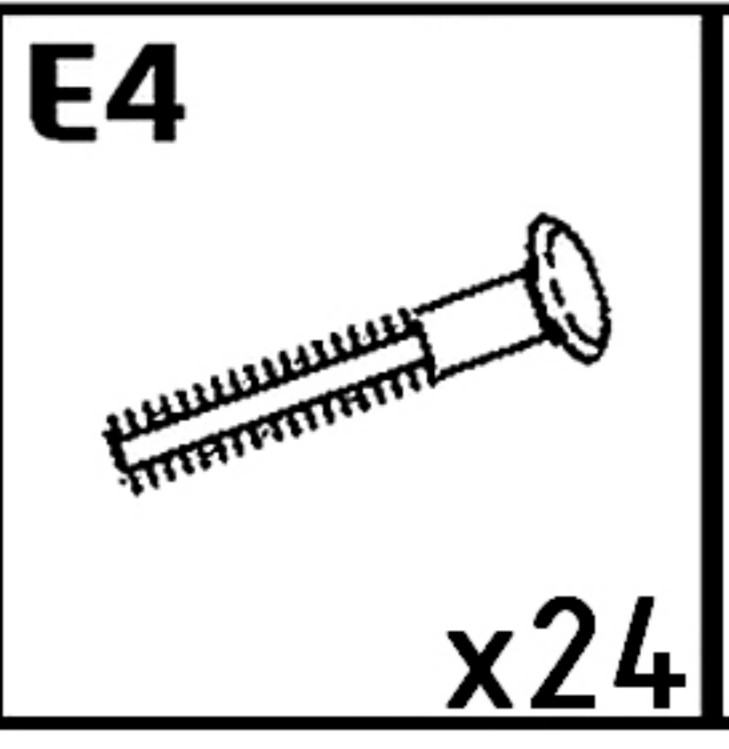
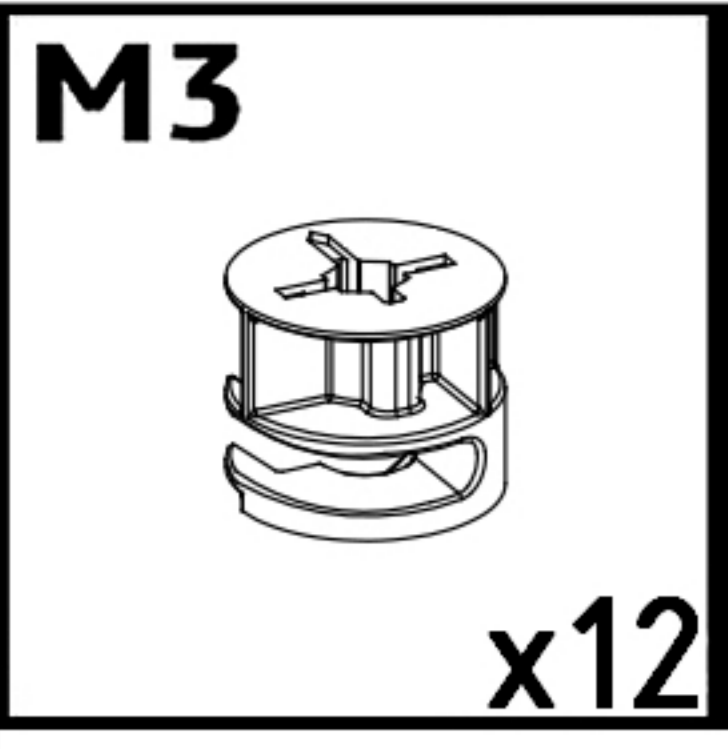


x12



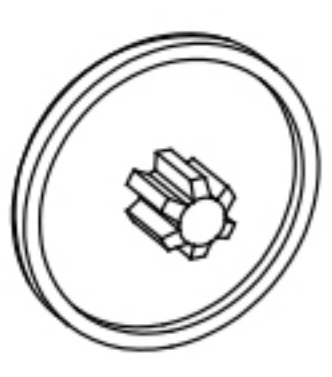




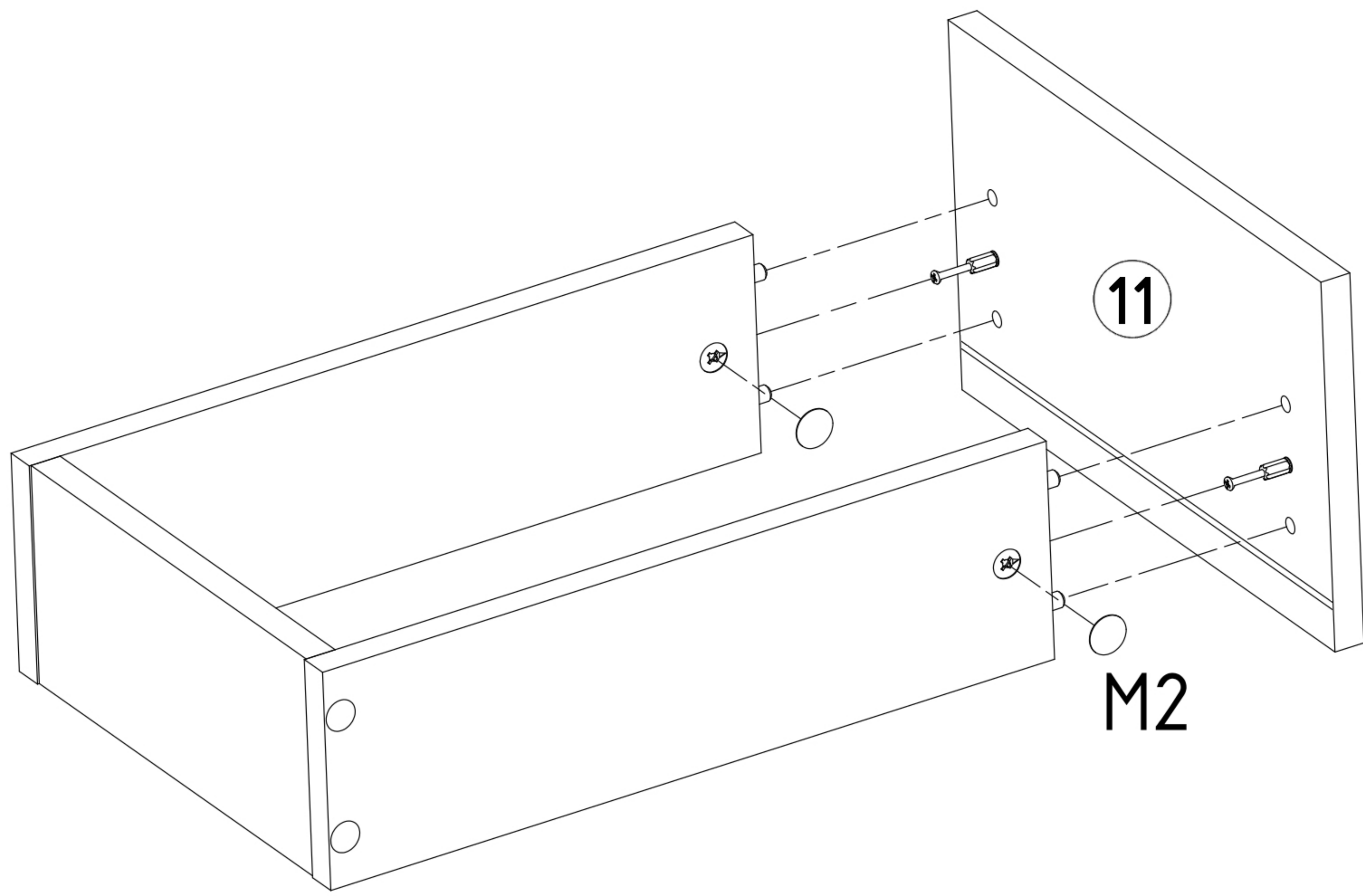
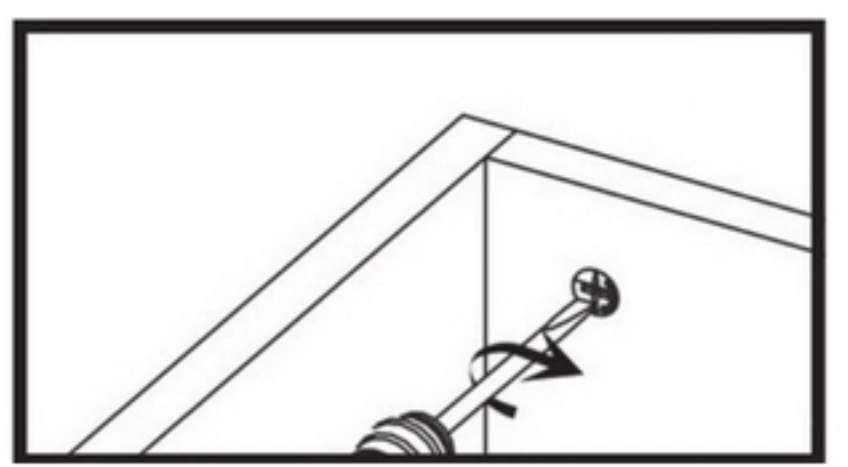
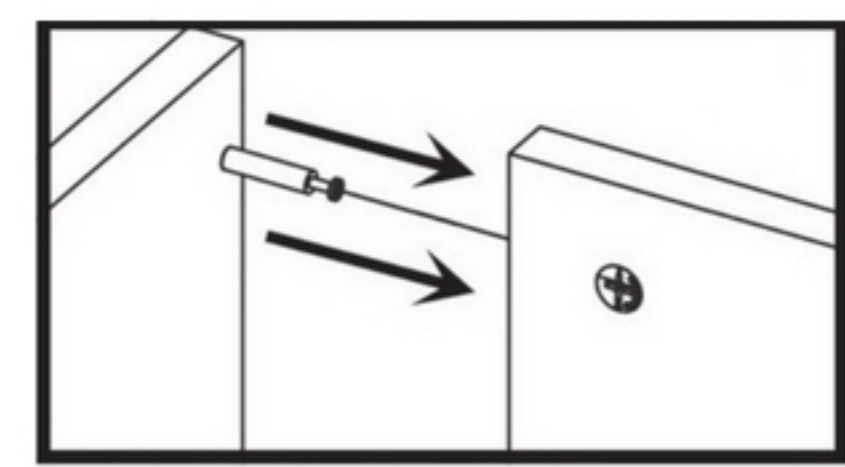




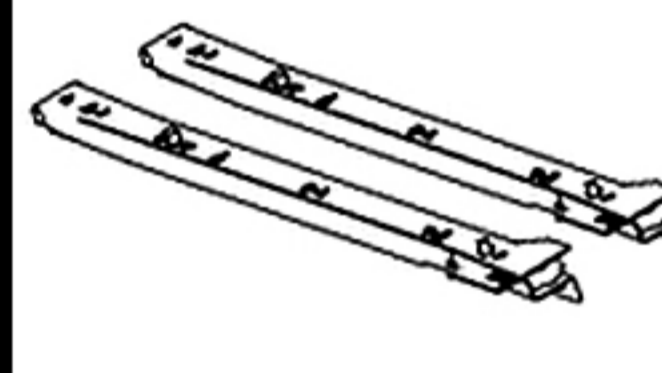
**M2**



x12




**P2**



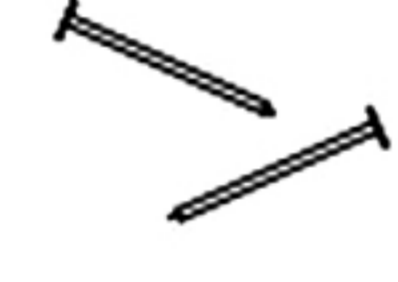
x6

**S1**

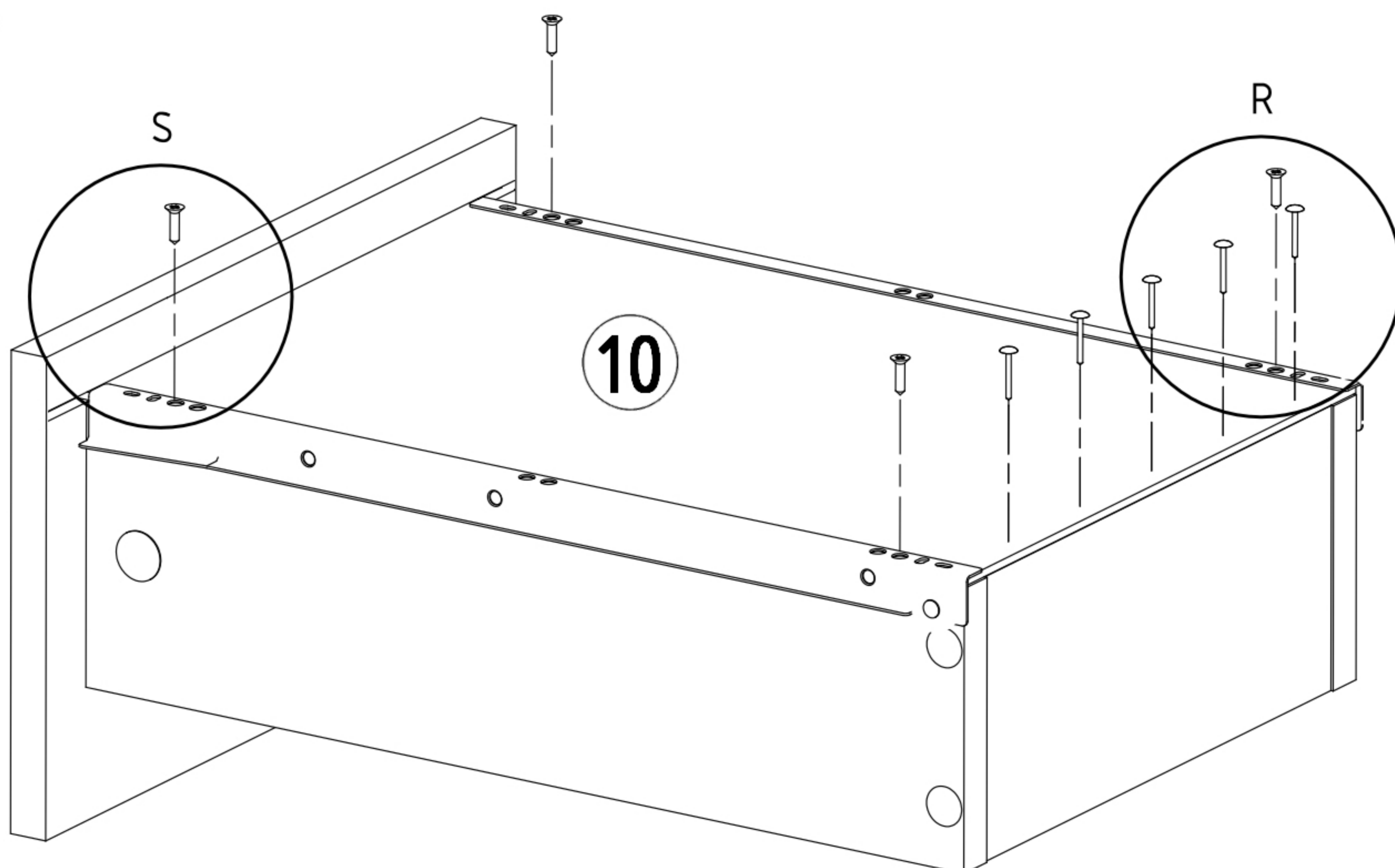
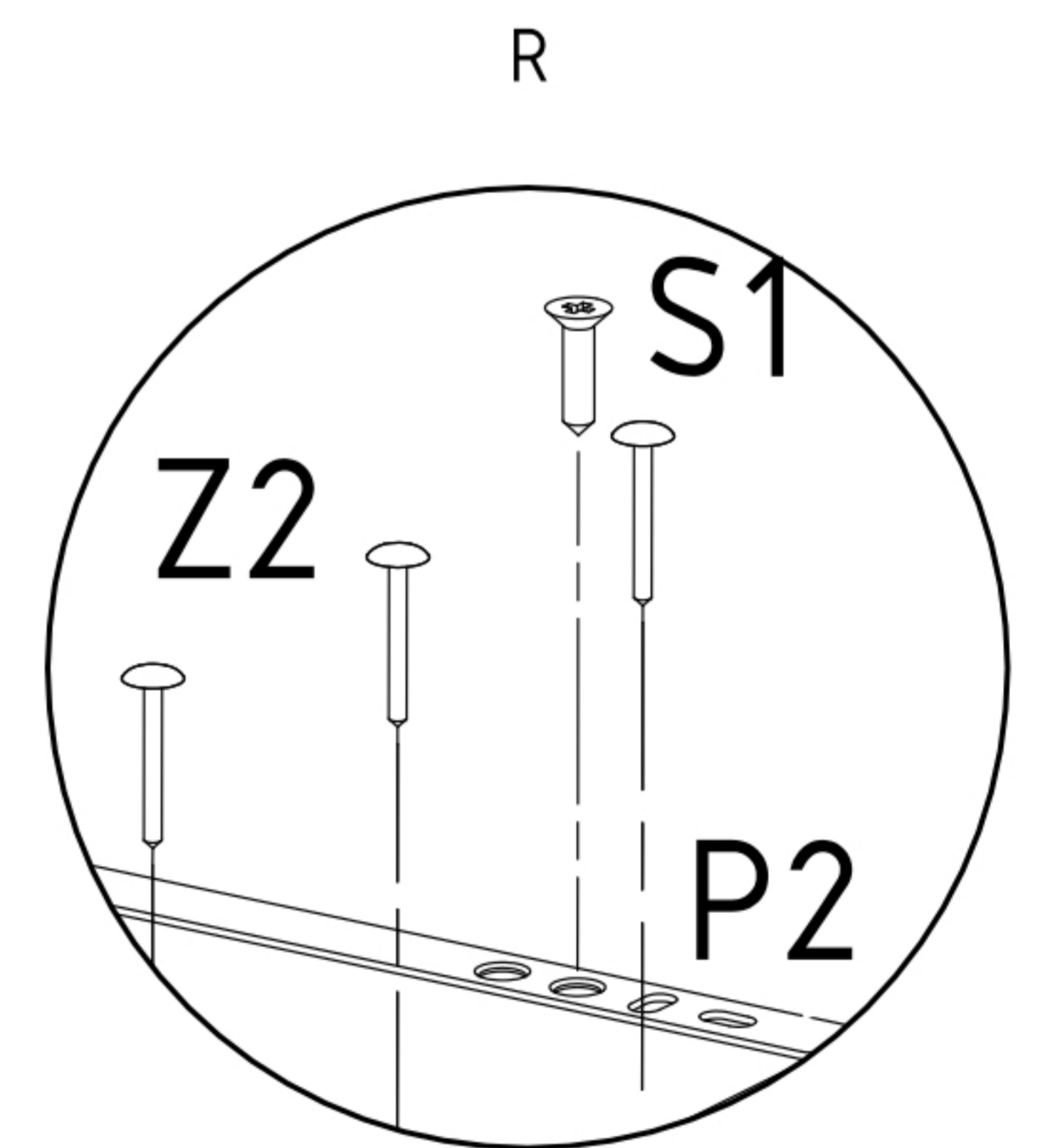
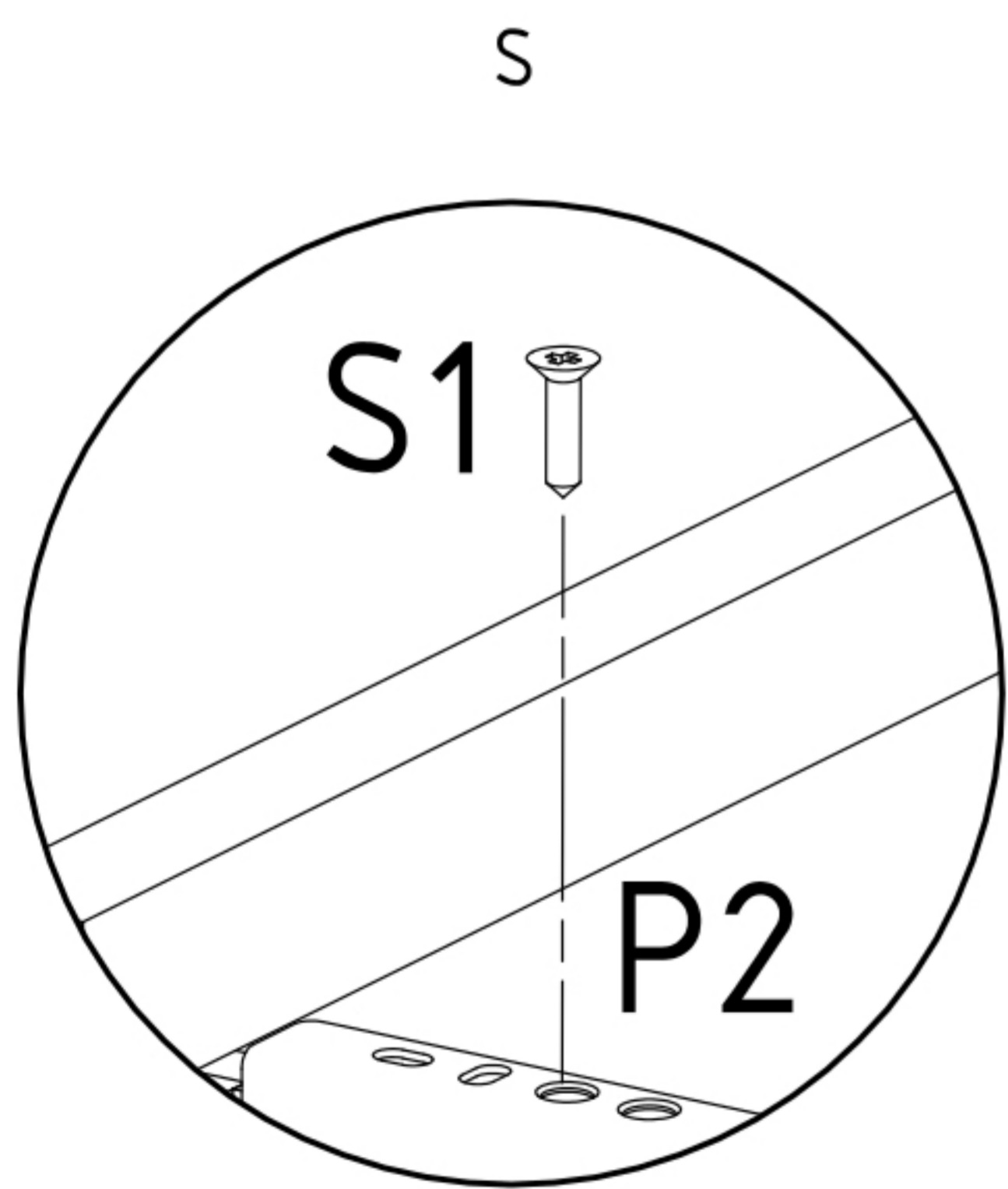


x24

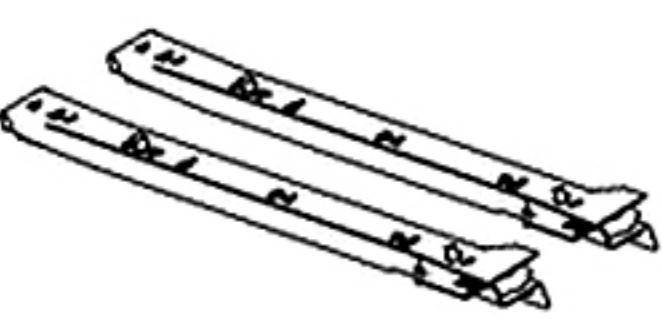
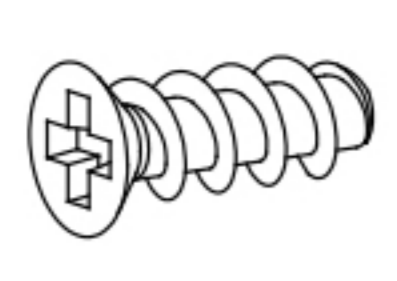
**Z2**

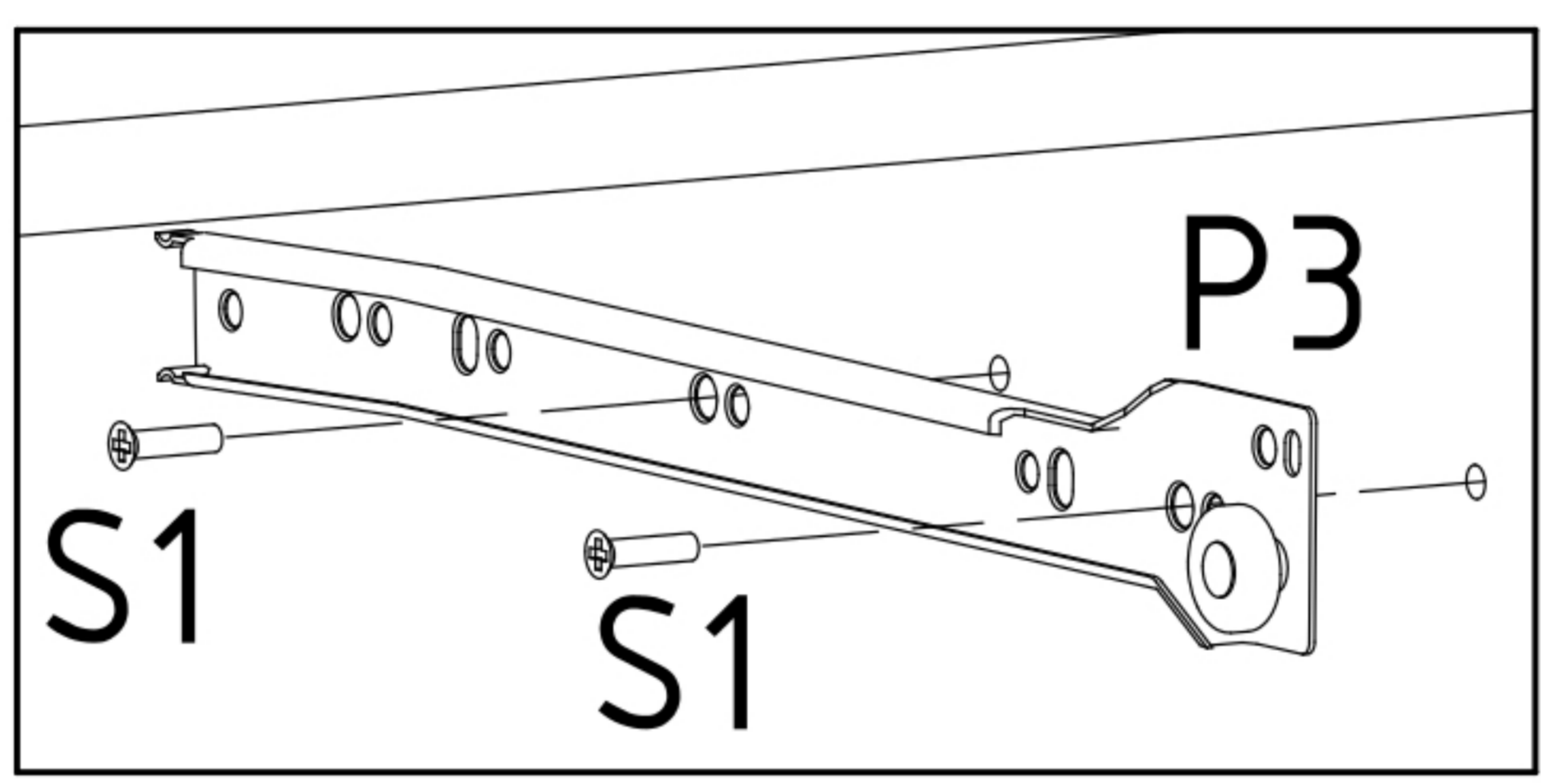
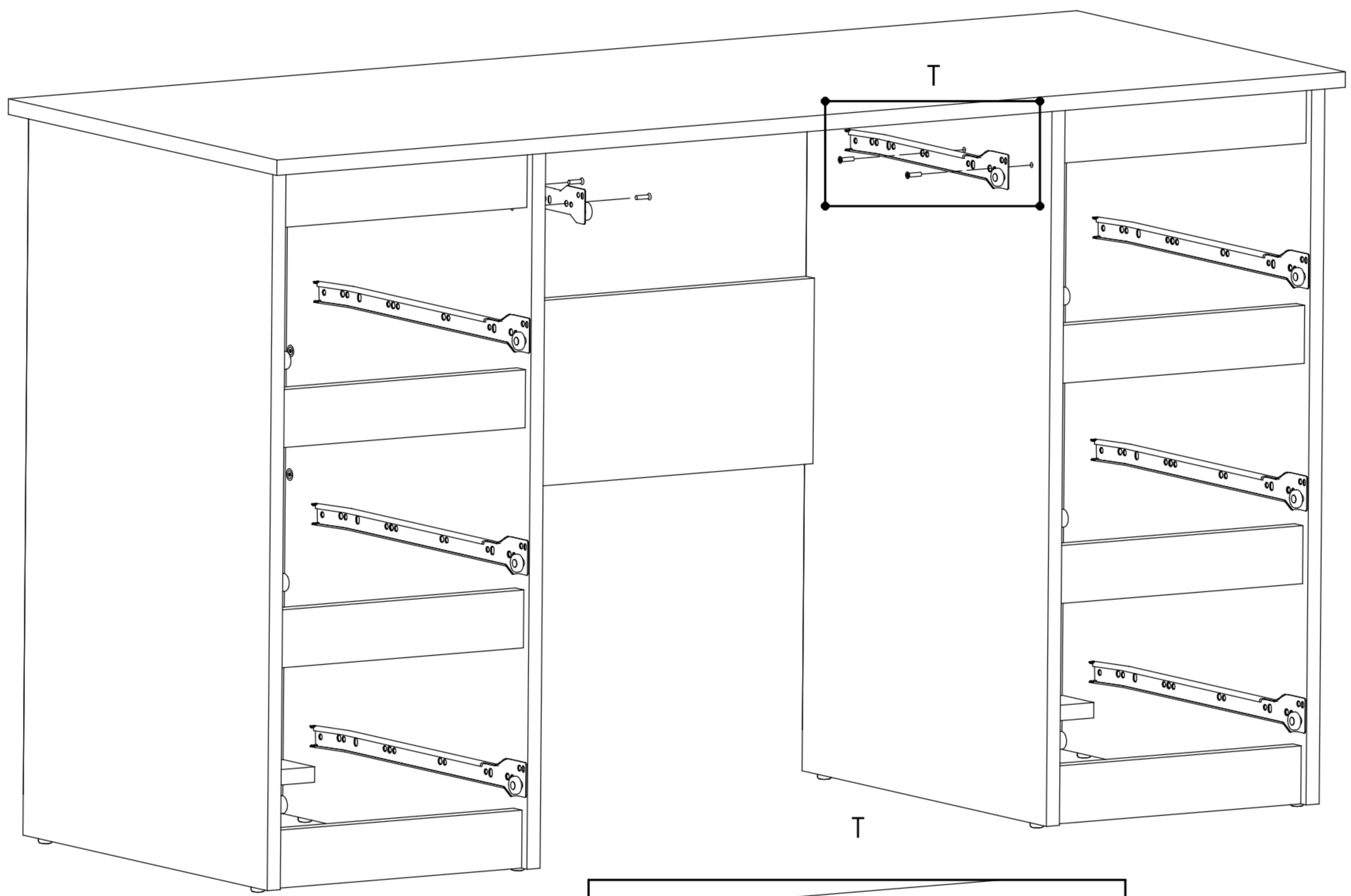


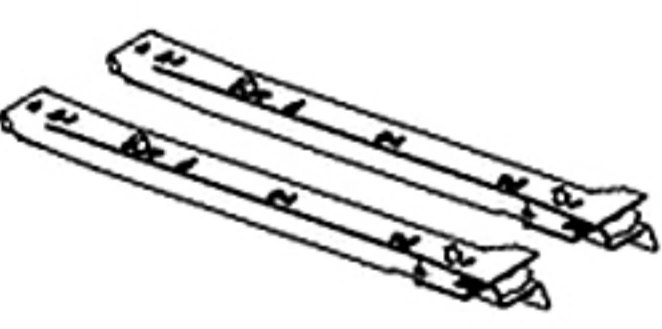

x30



x6

<b>P3</b>  <b>x1</b>	<b>S15</b>  <b>x4</b>
--	--



<b>P3</b>  <b>x1</b>	<b>S1</b>  <b>x4</b>
--	---

