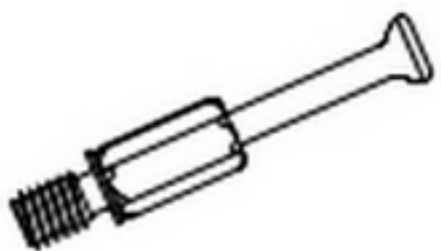



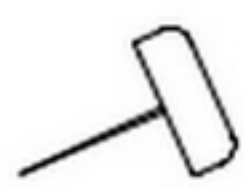
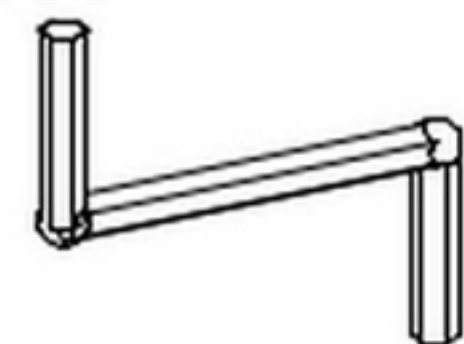

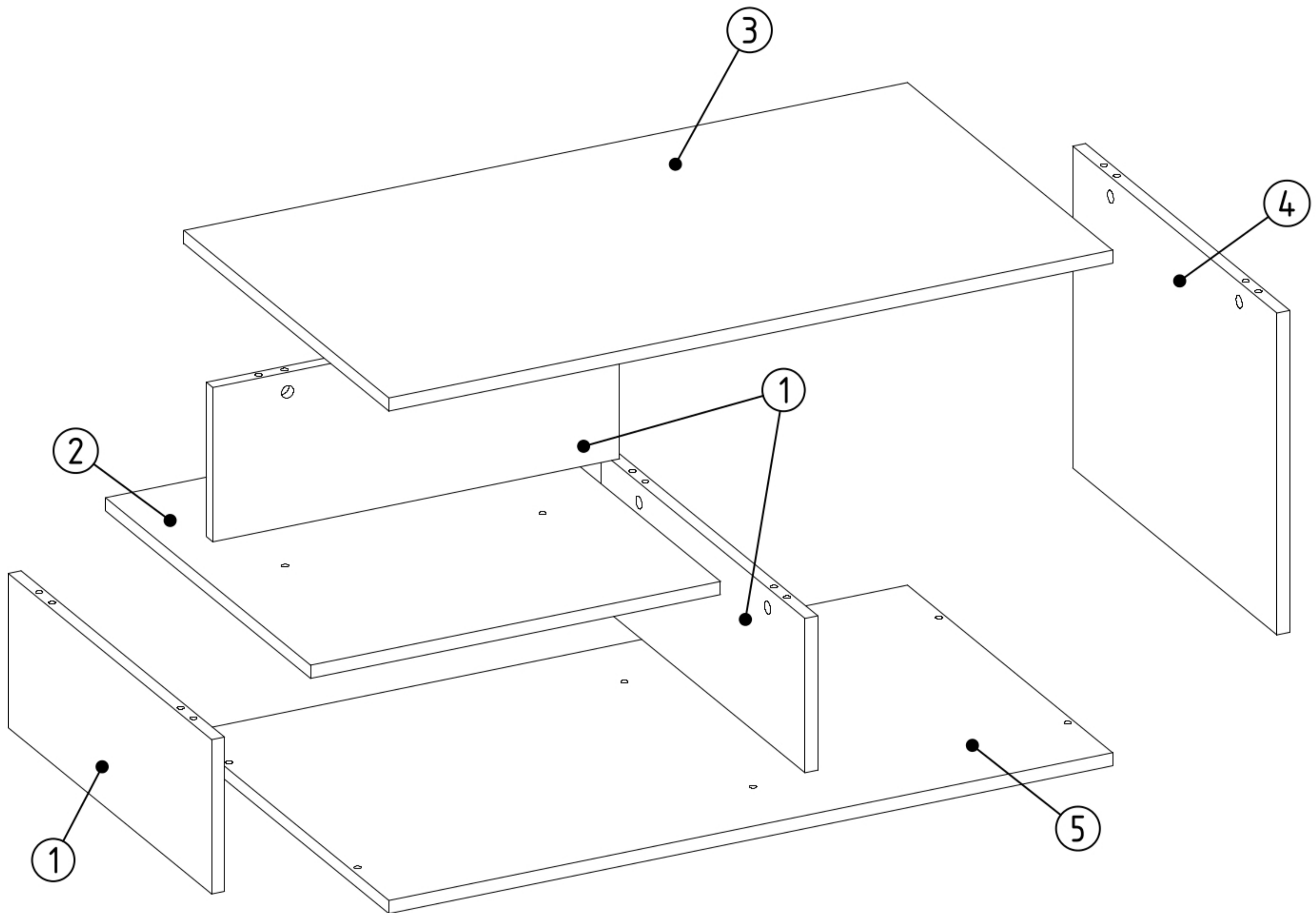




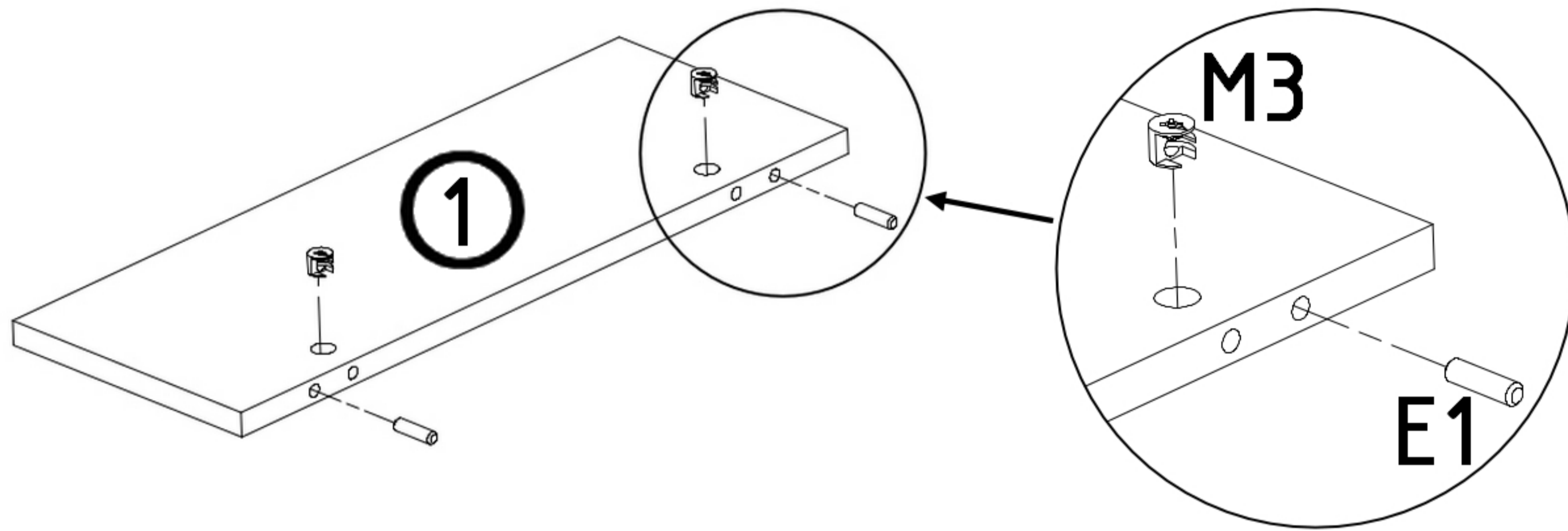
N2  L=34mm x 8	M3  12x15mm x 8	E1  8x30mm x 8	M2  ø17mm x 8	T1  x 4	K1  x 1	F2  7x50mm x 8
--	--	---	---	--	--	---

1



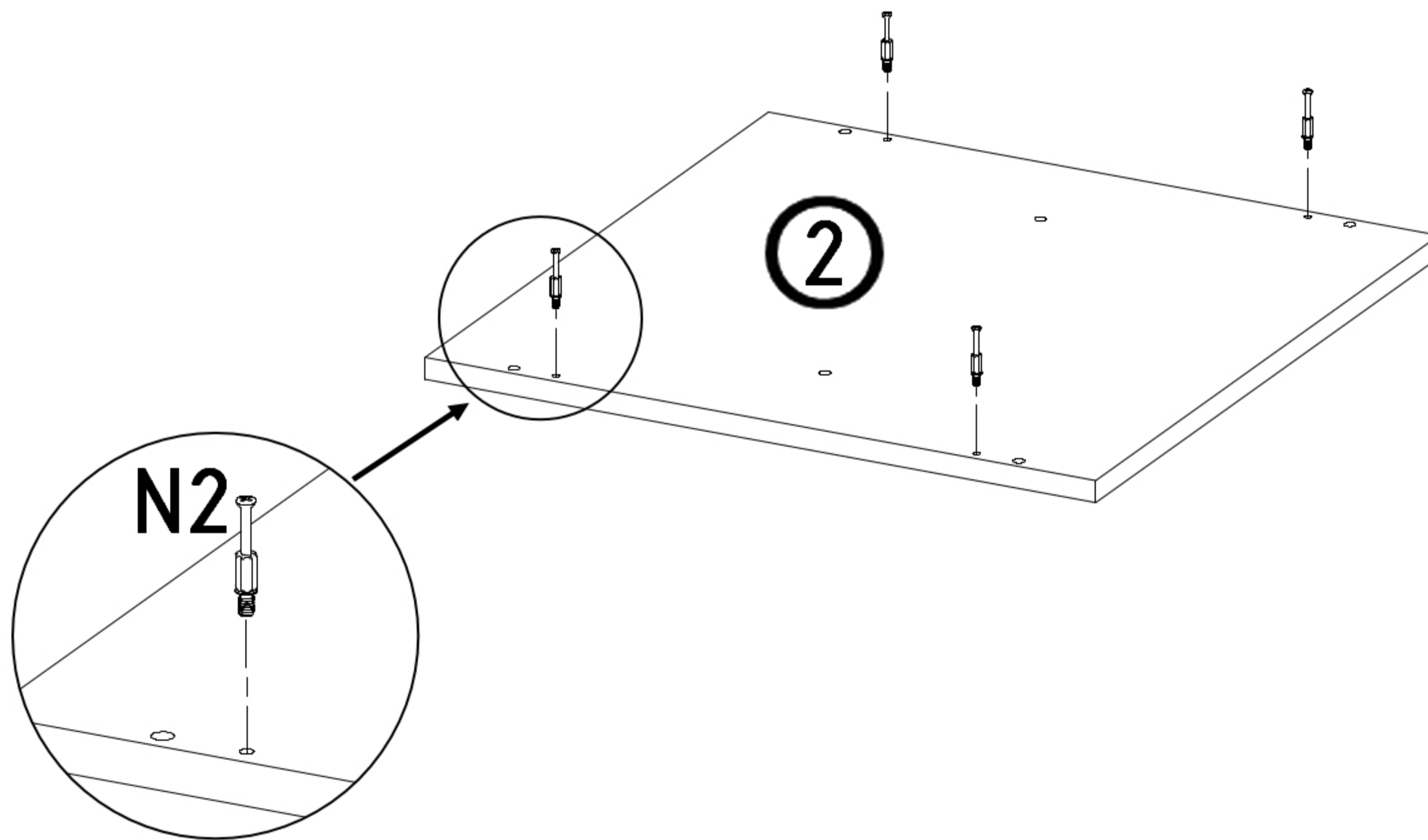
1	x 3
2	x 1
3	x 1
4	x 1
5	x 1

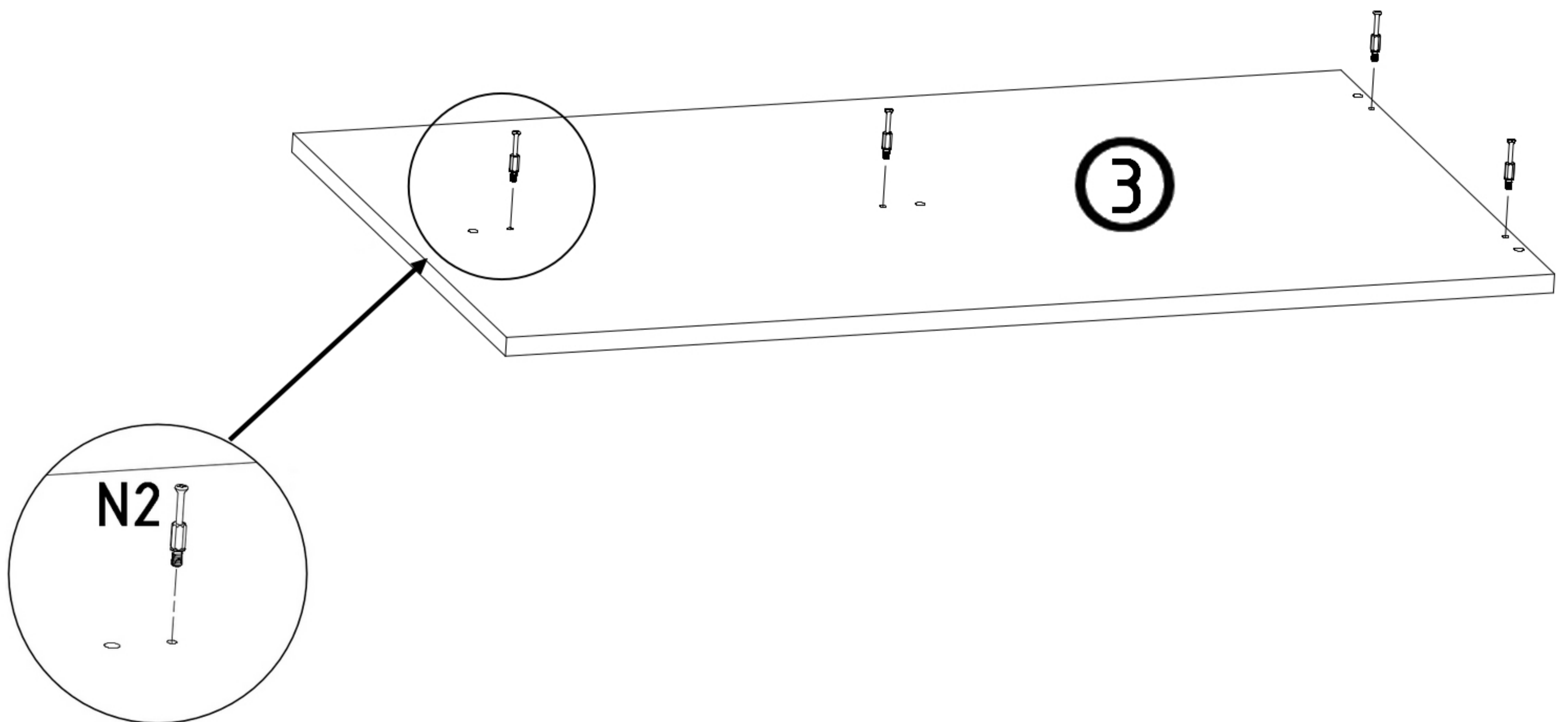
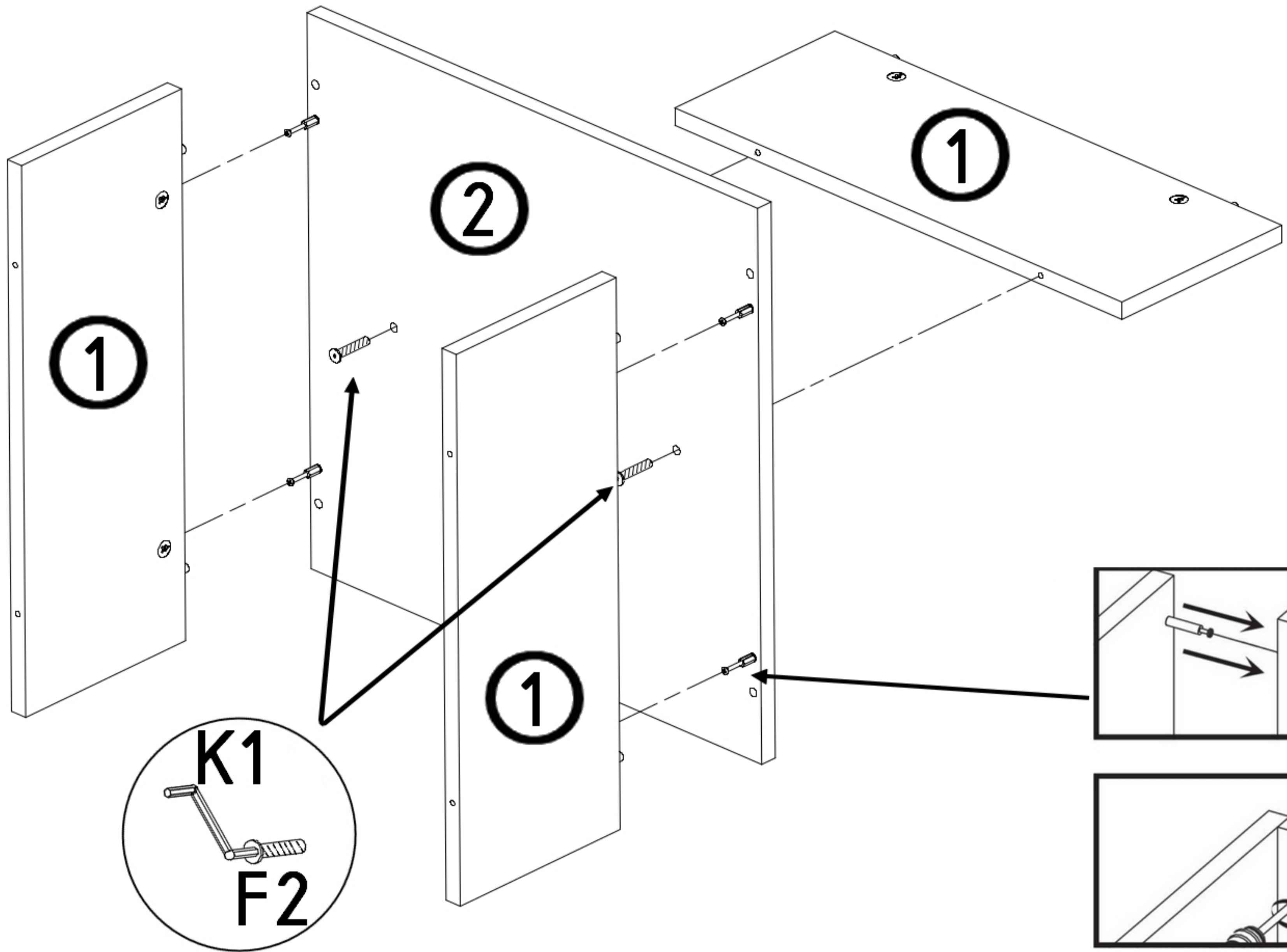
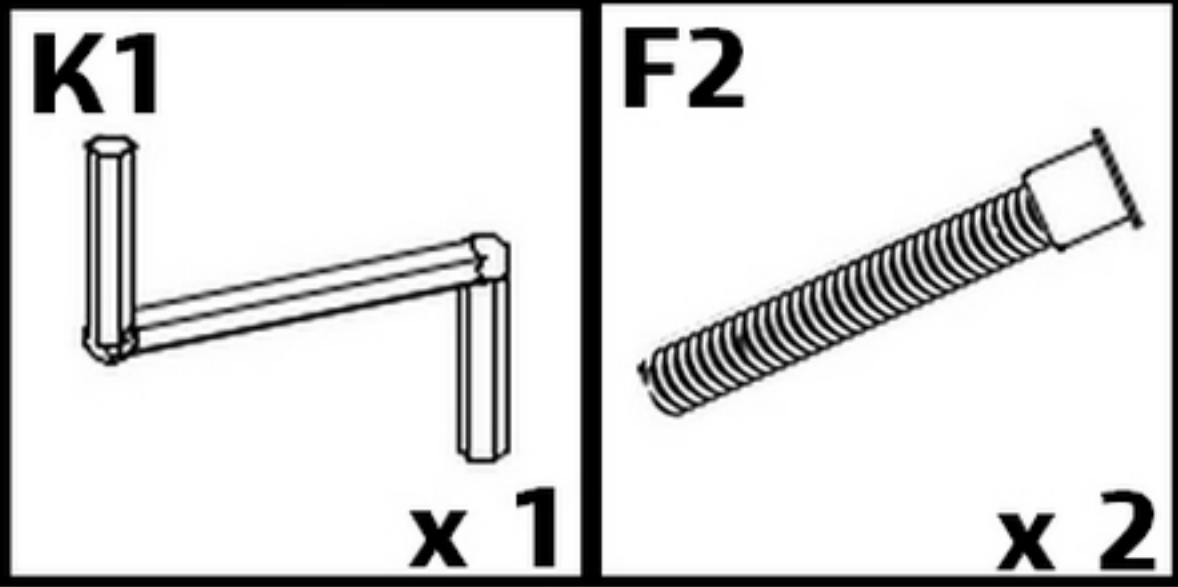
M3  x 6	E1  x 6
--	--





x 3

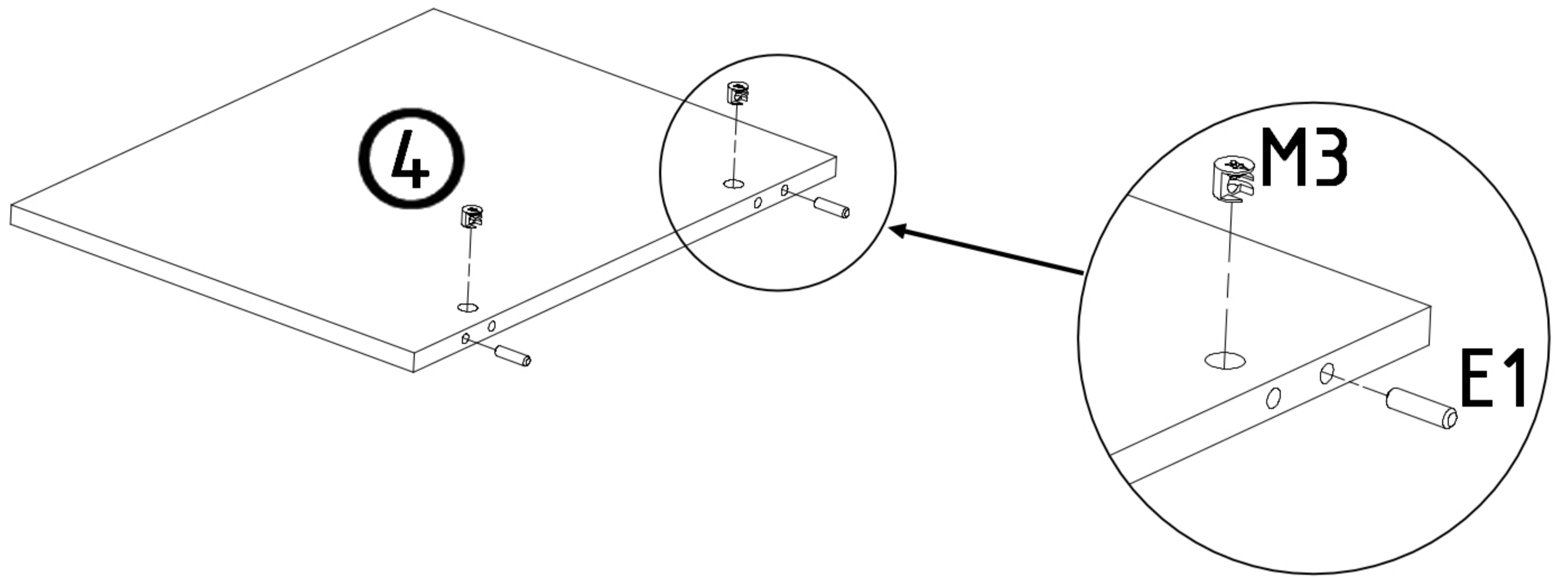
N2  x 4






4

M3  x 2	E1  x 2
--	--



T1  x 4

