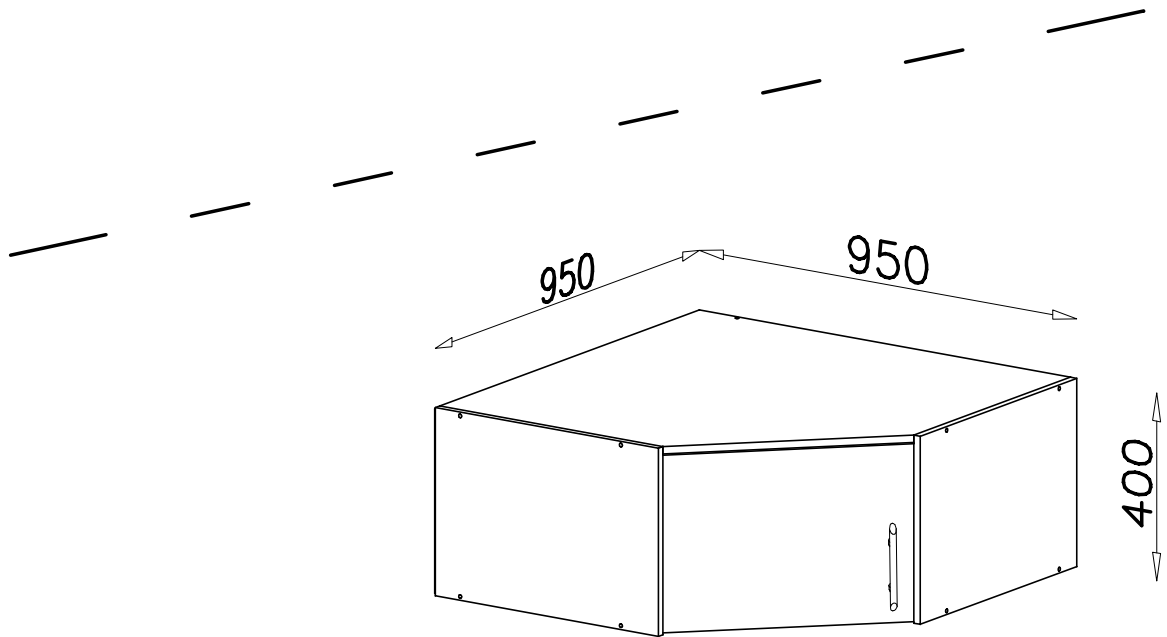
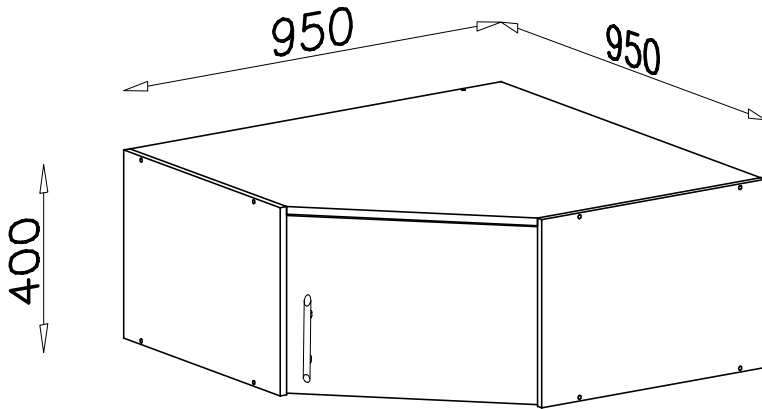
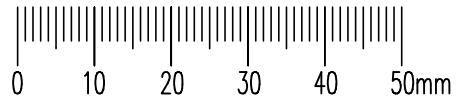
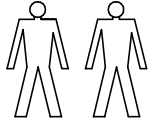
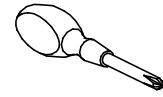
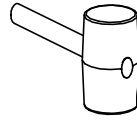
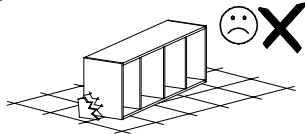
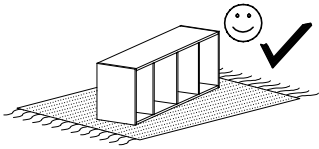
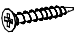




# SMART SRN4

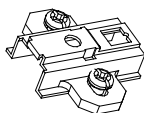


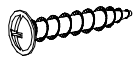
**G7**  
  
 3x16 x3

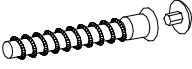
**W1**  
  
 x1


**G4**  
  
 4x16 x4

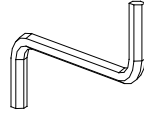
**G2**  
  
 3x20 x35

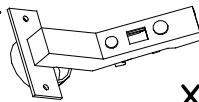
**D4**  
  
 x2


**G8**  
  
 4x30 x2

**A1**  
  
 ø7x50 x10

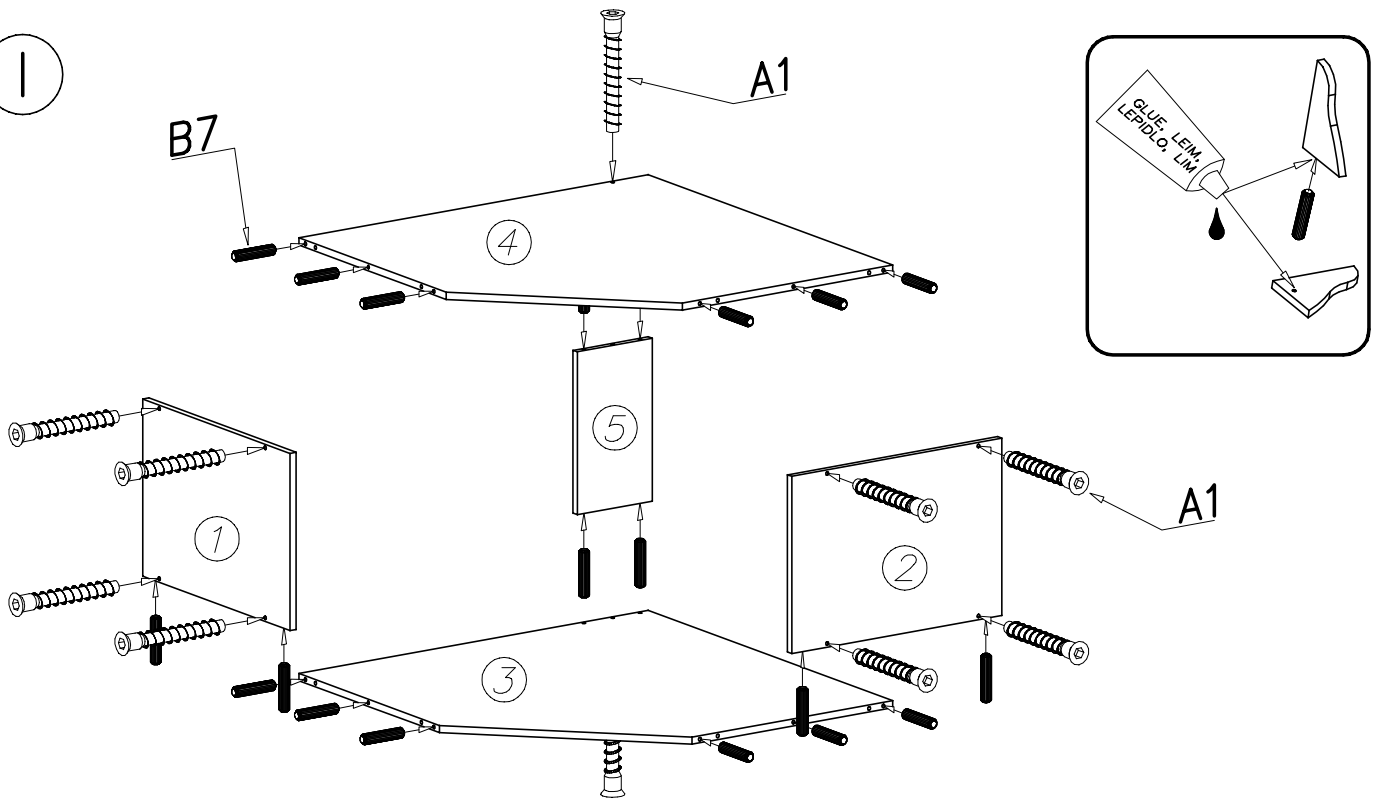
**B7**  
  
 ø8x30 x20

**W2**  
  
 x1

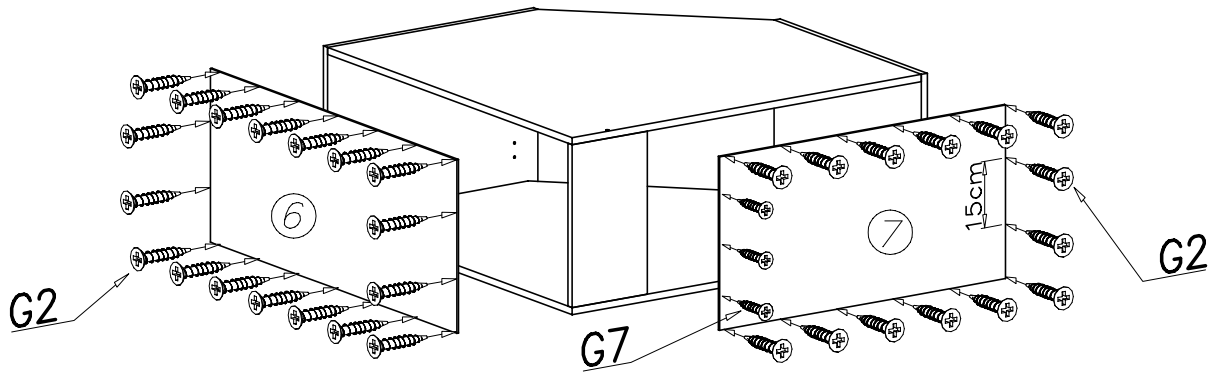
**C4**  
  
 x2

**E7**  
  
 x1

I



II



III

