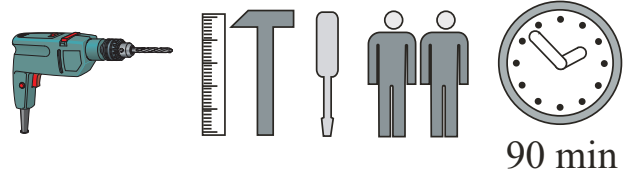
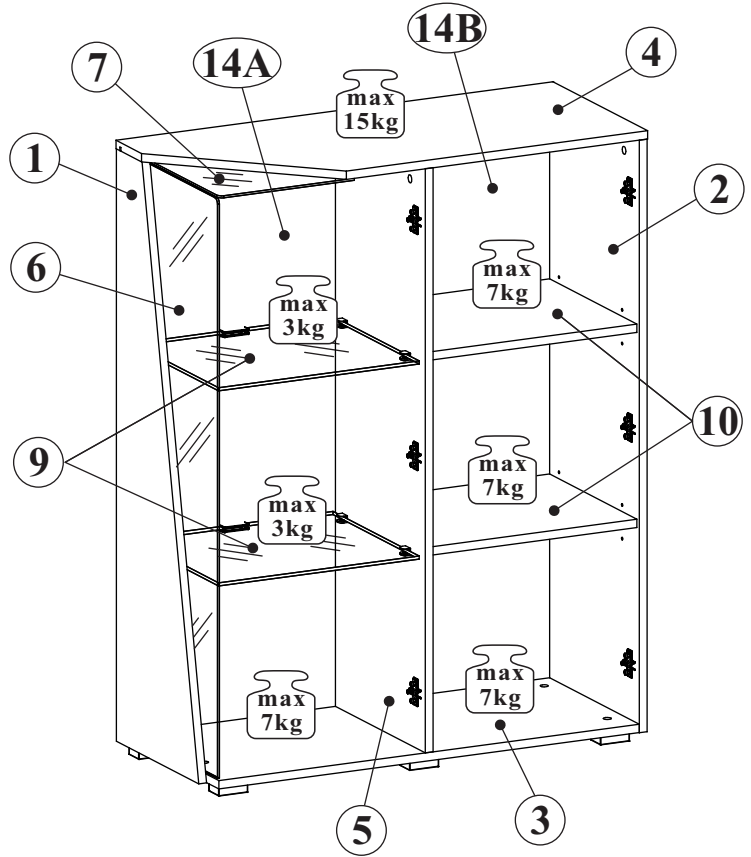
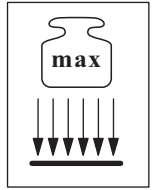
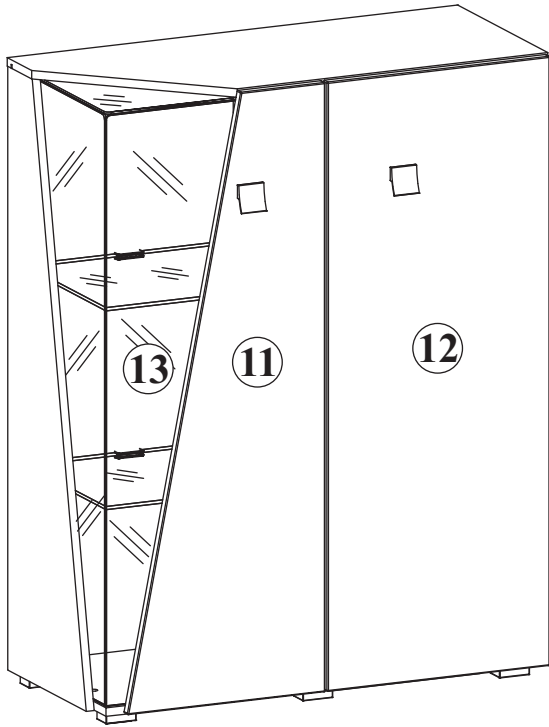
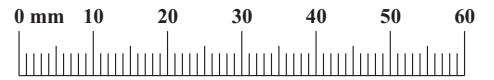


EDGE 29 -- EE WSN

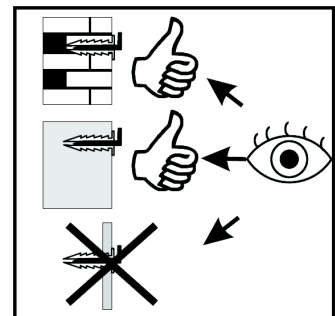
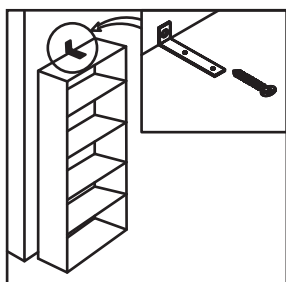
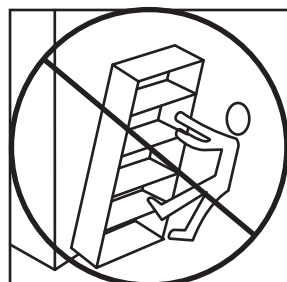
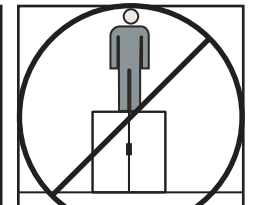
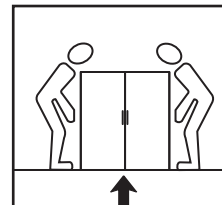
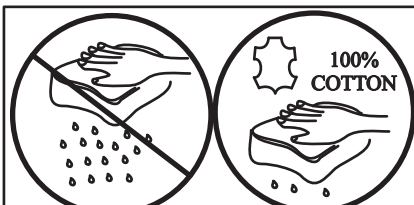
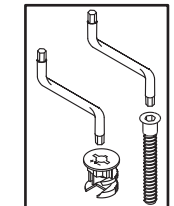
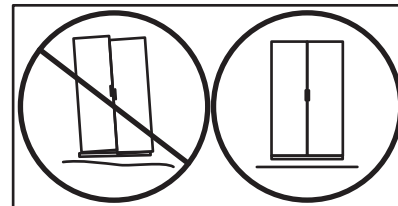
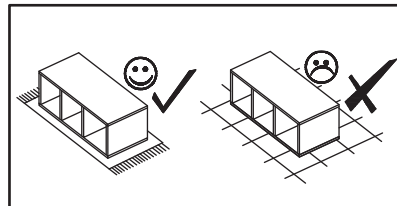
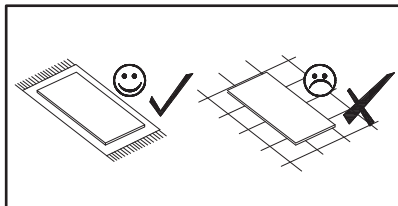
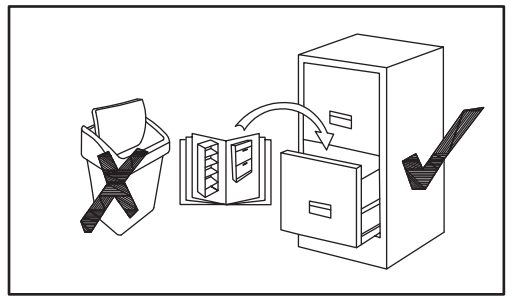
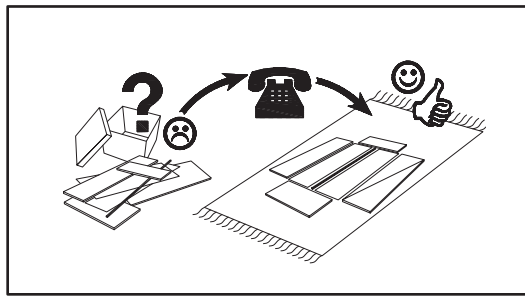
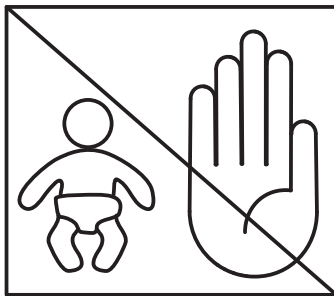


NO	Dim.			Col.-No	Qty
1	1130	334	16	1	1
2	1130	384	16	1	1
3	868	384	16	2	1
4	902	384	16	2	1
5	1114	364	16	1	1
6	1105	300	4	1	1
7	305	279	4	2	1
9	414	349	6	2	2
10	426	354	16	2	2
11	396	1140	16	1	1
12	446	1140	16	1	1
13	1105	280	4	1	1
14A	1125	440	3	1	1
14B	1125	440	3	2	1

EDGE 29 -- EE WSN

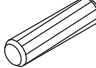
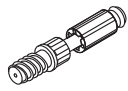
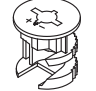
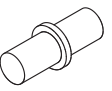


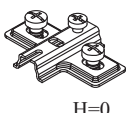
A1 x11 ø8x36	B4 x9	B5 x9 ø15x12	G5 x9	B11 x2 ø7x50	G4 x2
E21 x3 Ø35 H=0	E2 x6 H=0	E23 x3 Ø35 H=8	D10 x16 USØ3,5x13	G7 x8	G31 x6
ST17 x6	UP11 x12 UPØ4x20	G16 x7	UP13 x25 UPØ3x16	P2 x18	D20 x6 ESØ6,3x9,5
LED x1 x2	S1 x16	KR1 x2	L1 x2	G2 x1	U19 x2
DS4 x4 WSM4x22					

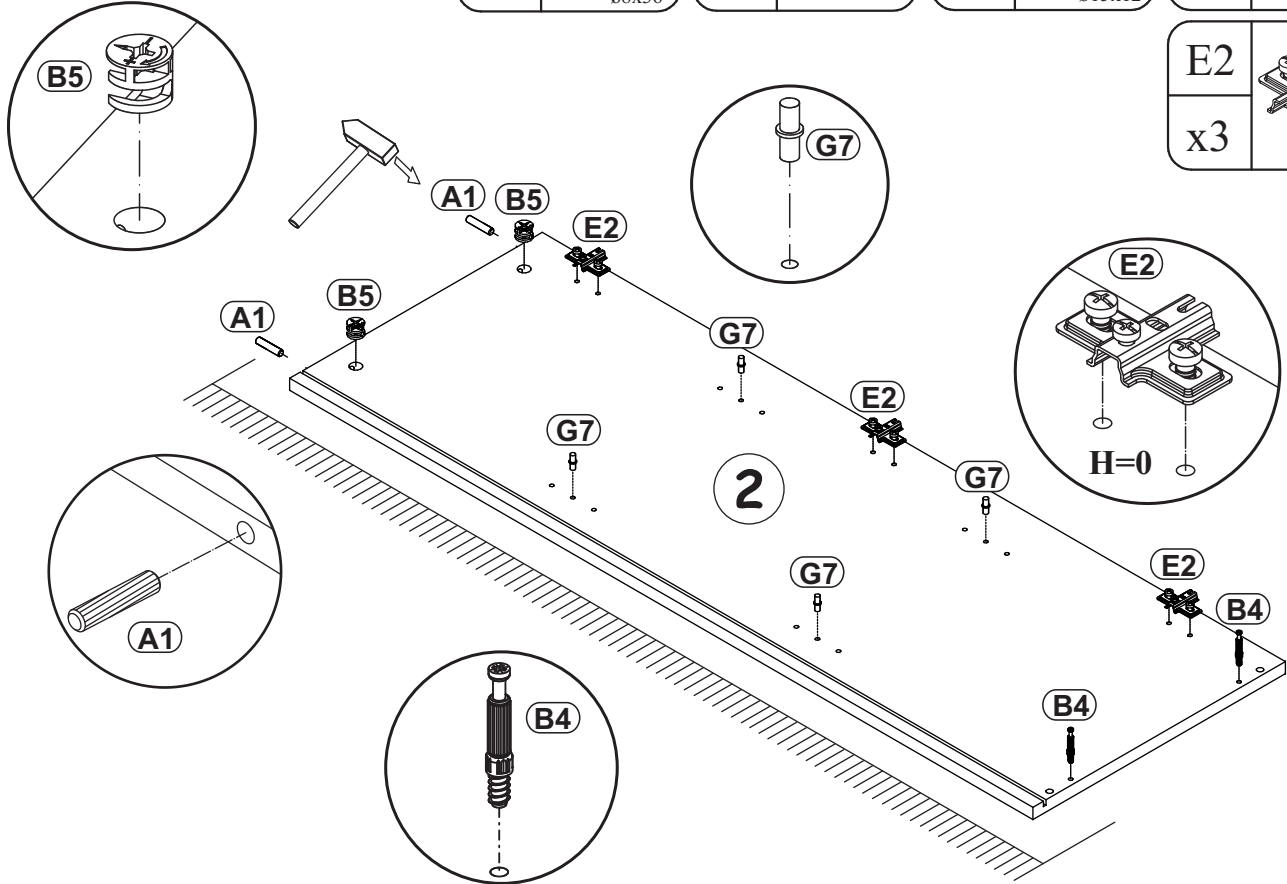


EDGE 29 -- EE WSN

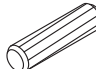
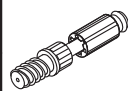
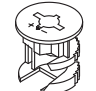
1

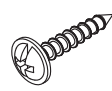

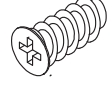
A1		B4		B5		G7	
x2	ø8x36	x2		x2	ø15x12	x4	


E2	
x3	H=0

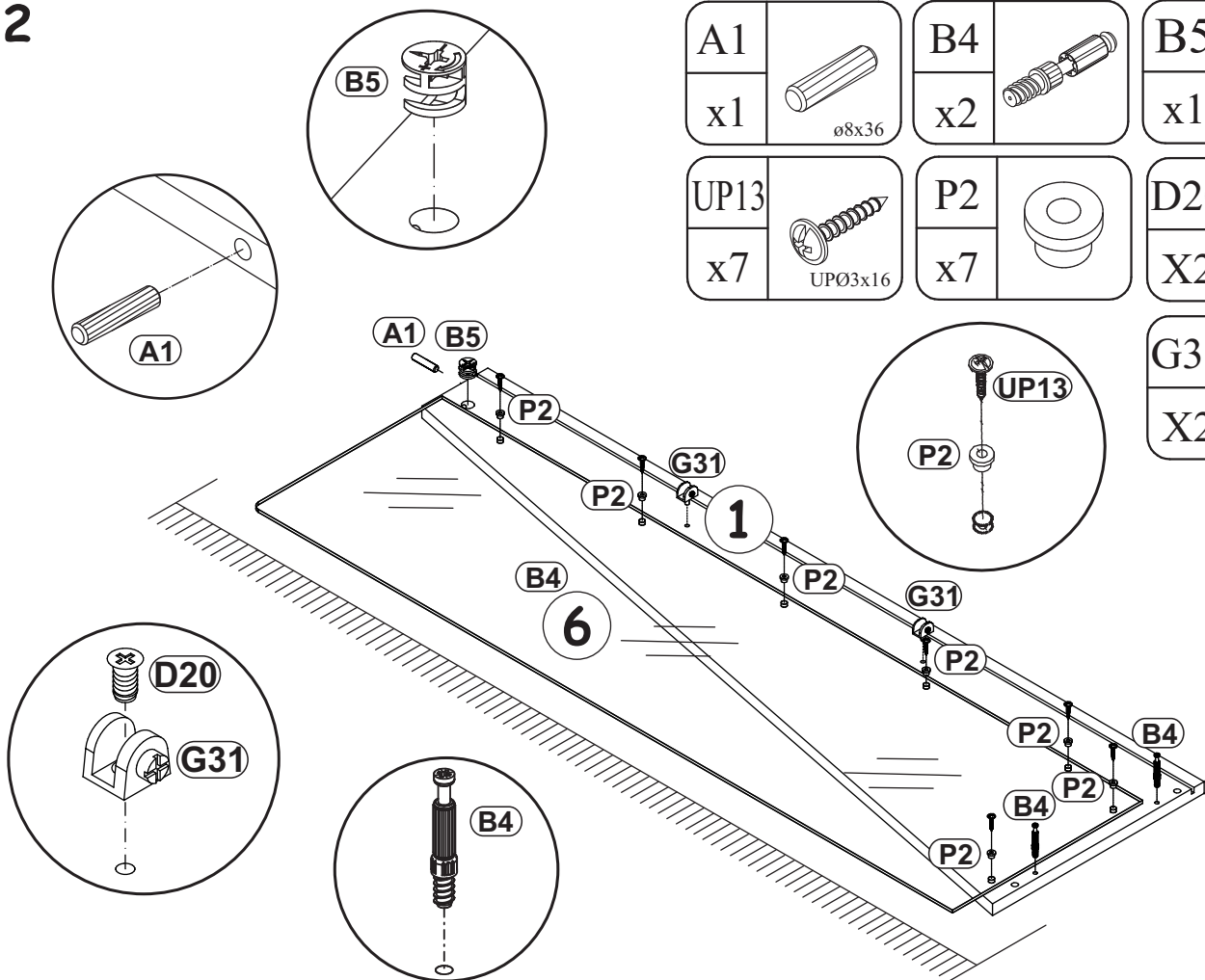


2

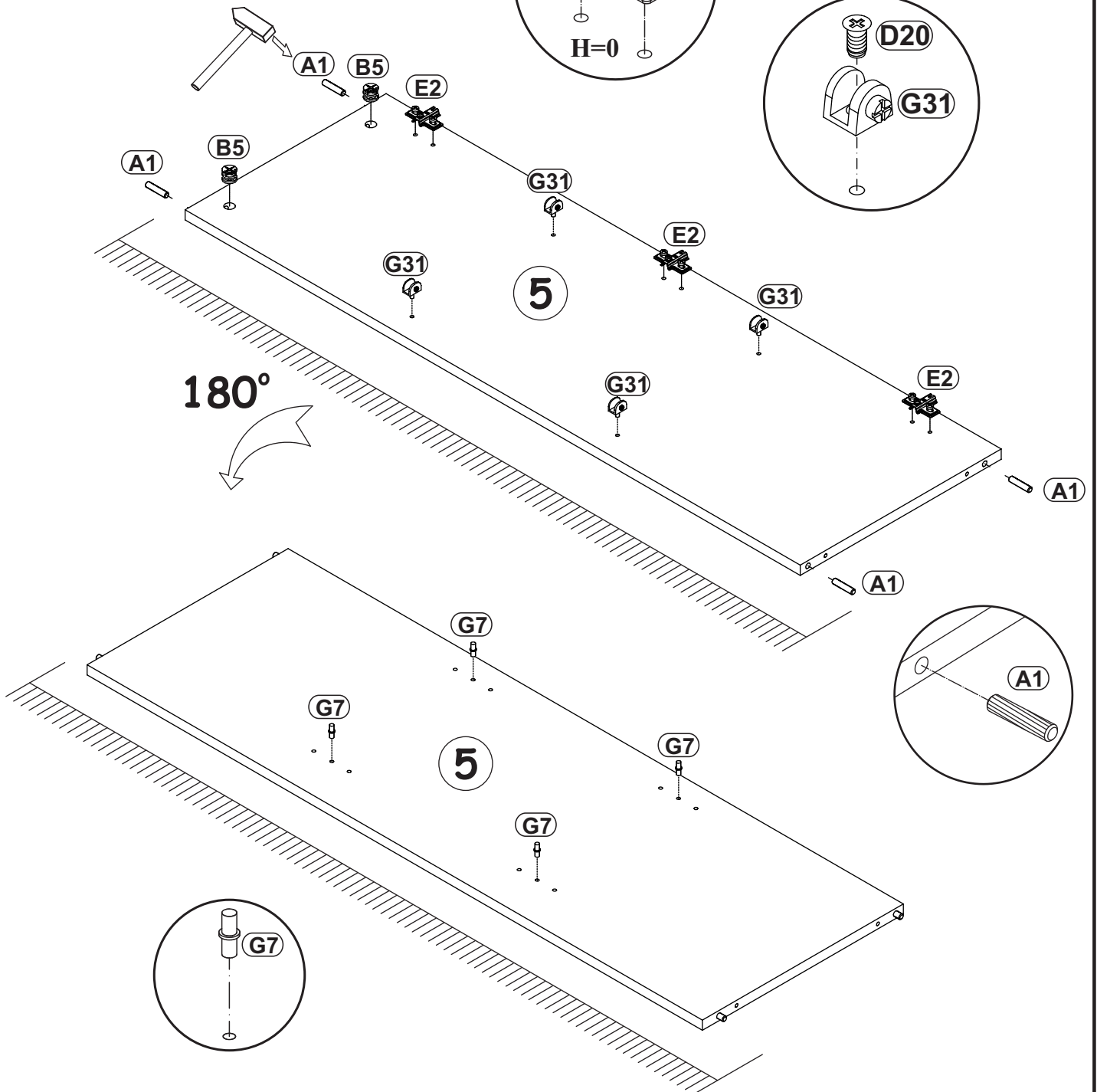
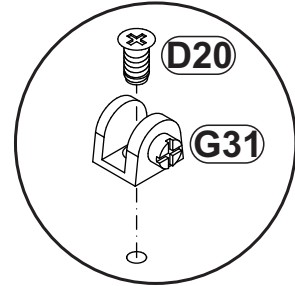
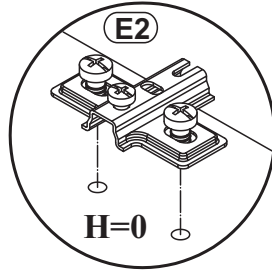
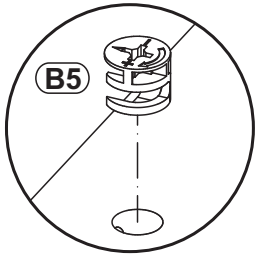
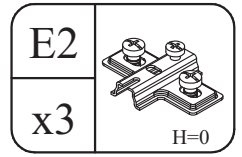
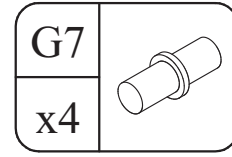
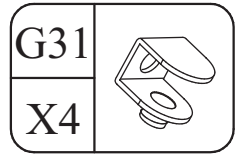
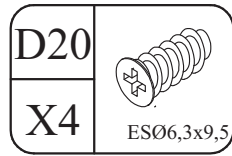
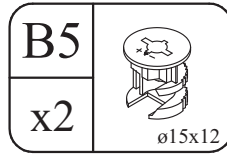
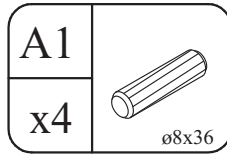
A1		B4		B5	
x1	ø8x36	x2		x1	ø15x12

UP13		P2		D20	
x7	UPØ3x16	x7		X2	ESØ6,3x9,5

G31	
X2	

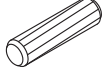
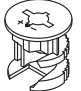


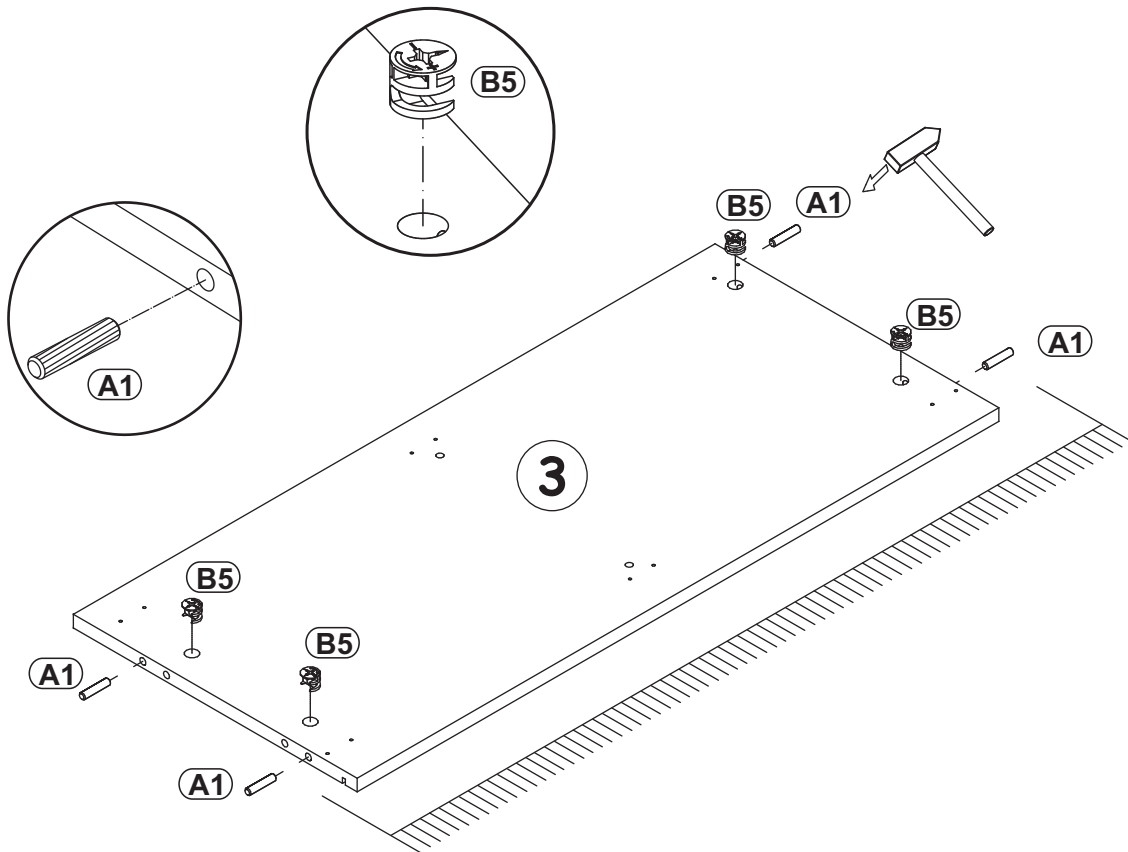
3



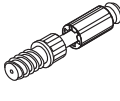

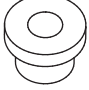
EDGE 29 -- EE WSN

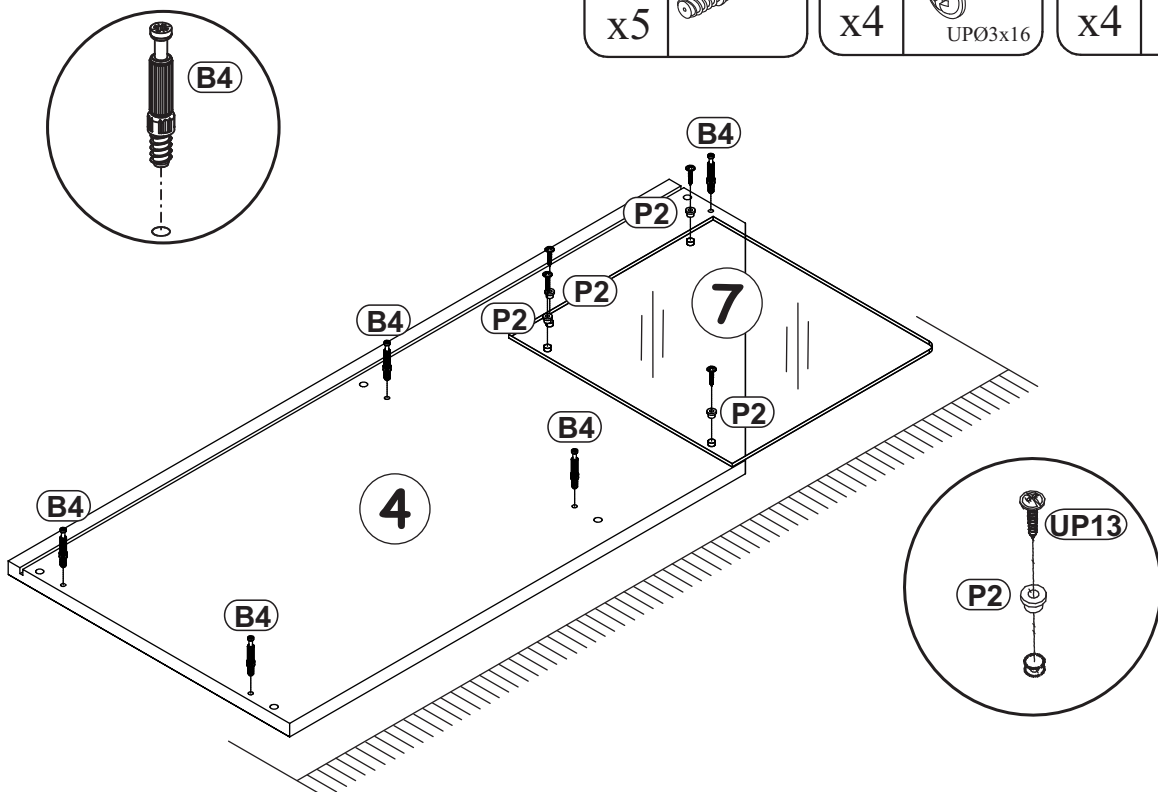
4

A1		B5	
x4	ø8x36	x4	ø15x12



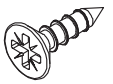
5


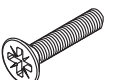
B4		UP13		P2	
x5		x4	UPØ3x16	x4	

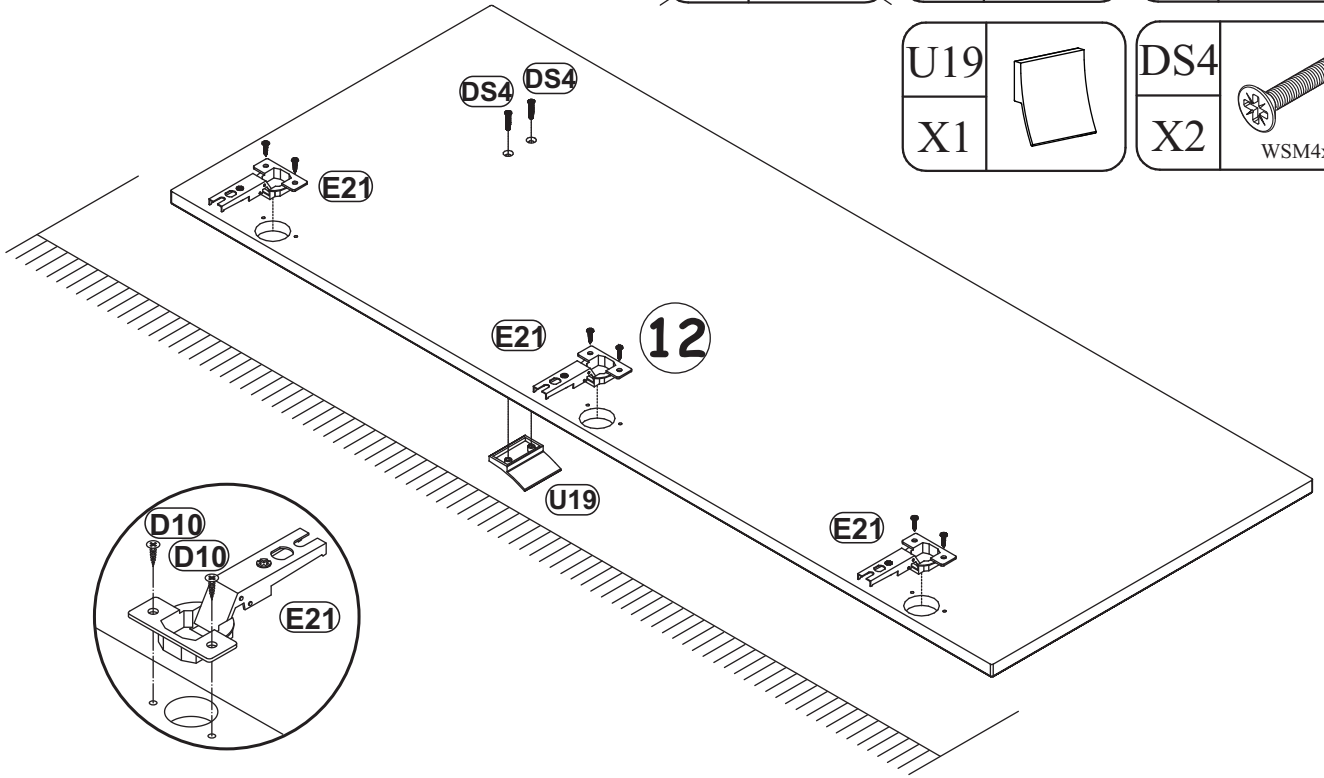


EDGE 29 -- EE WSN

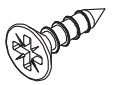
6

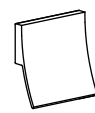
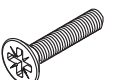
E23	Ø35	E21	Ø35	D10	
x3	H=8	x3	H=0	x6	

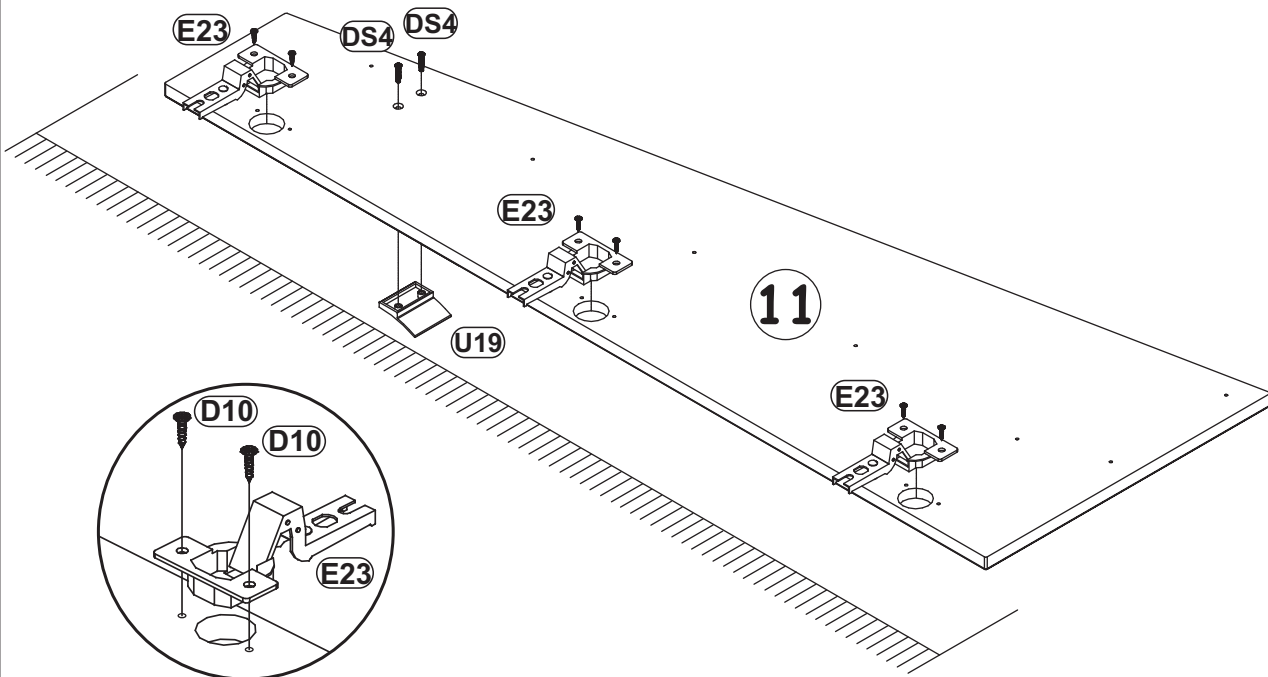
U19		DS4	
X1		X2	



7



E21	Ø35	E23	Ø35	D10	
x3	H=0	x3	H=8	x6	

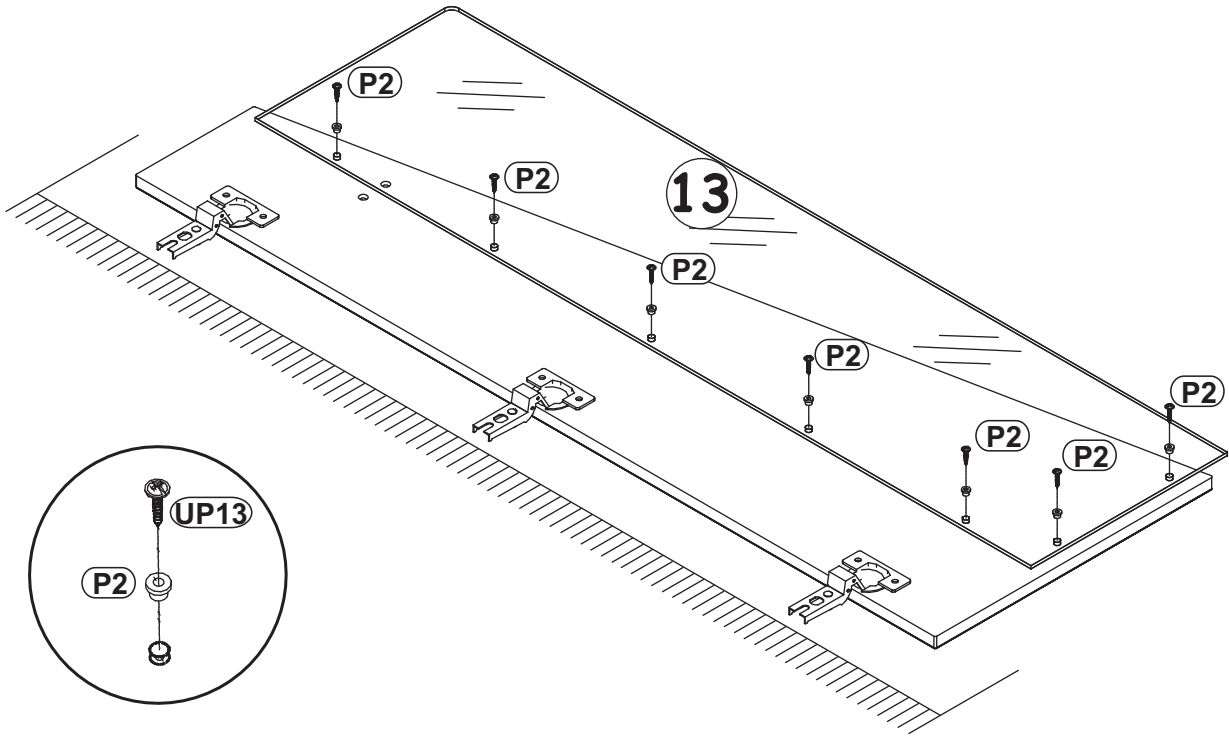
U19		DS4	
X1		X2	



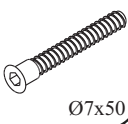


EDGE 29 -- EE WSN

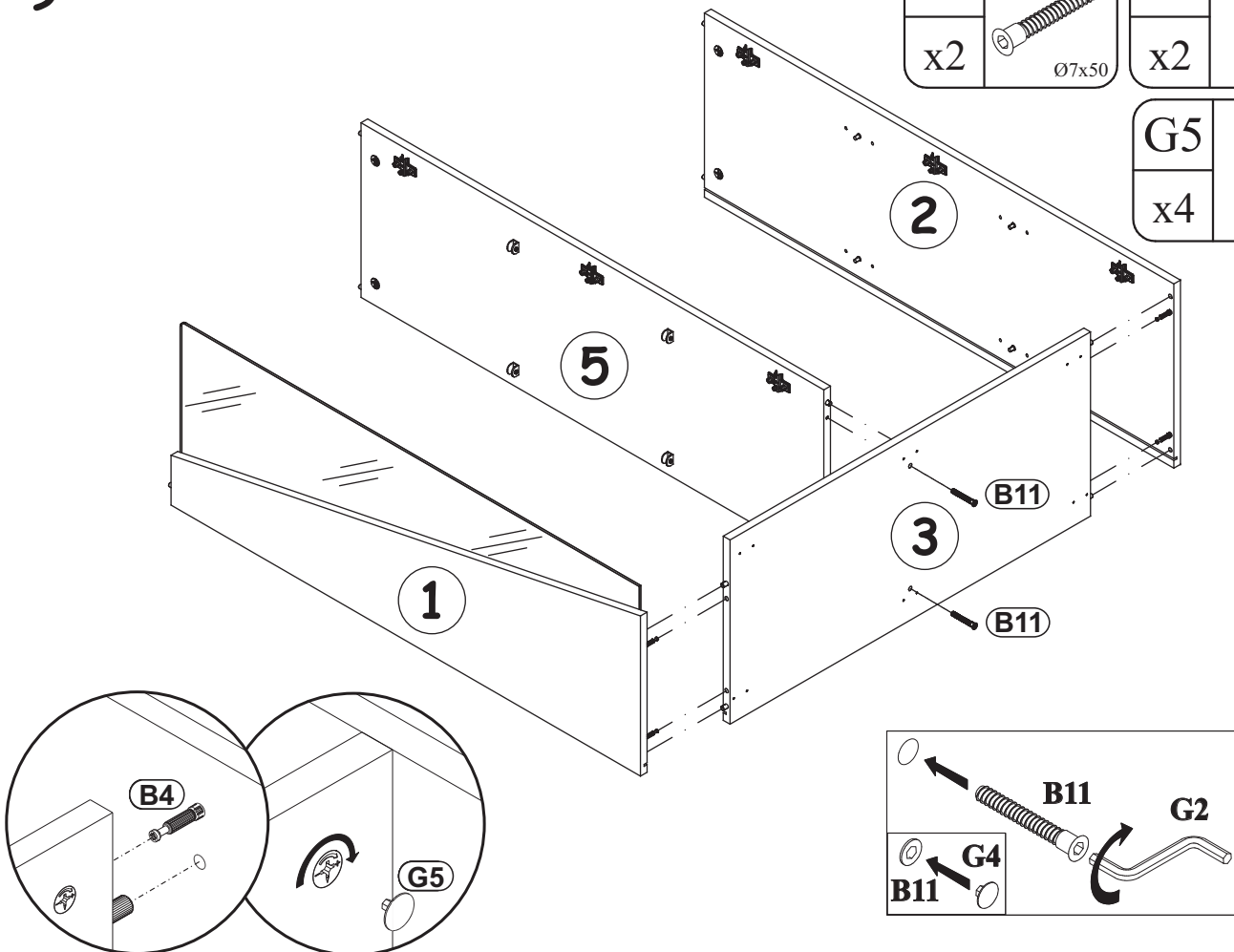
8

P2		UP13	
x7		x7	UP03x16

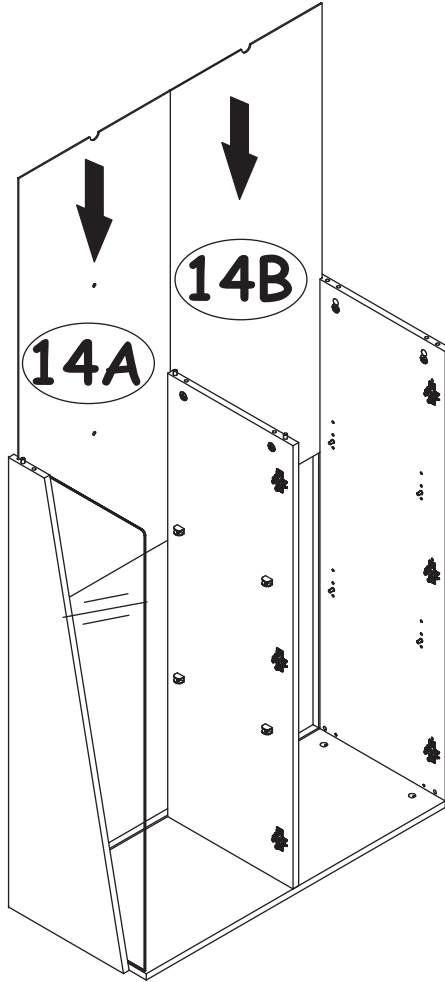


9

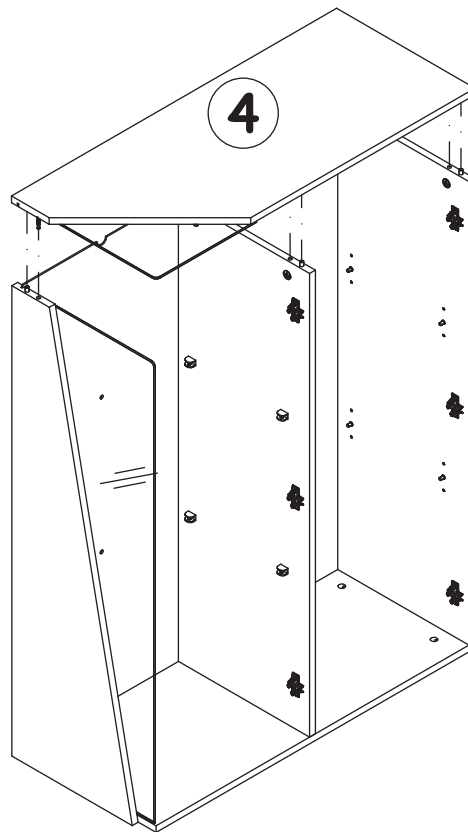
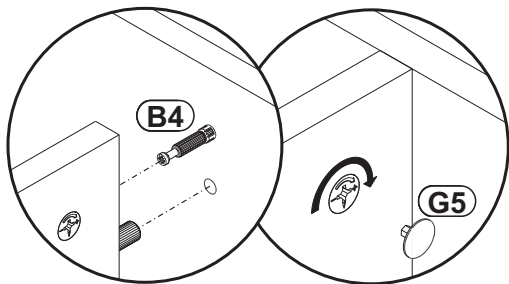
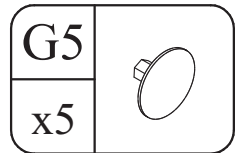
B11		G4	
x2	Ø7x50	x2	
		G5	
		x4	



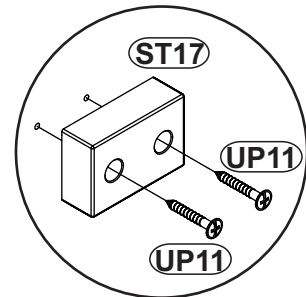
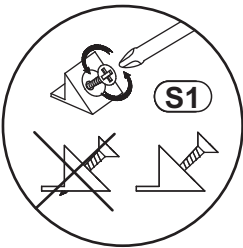
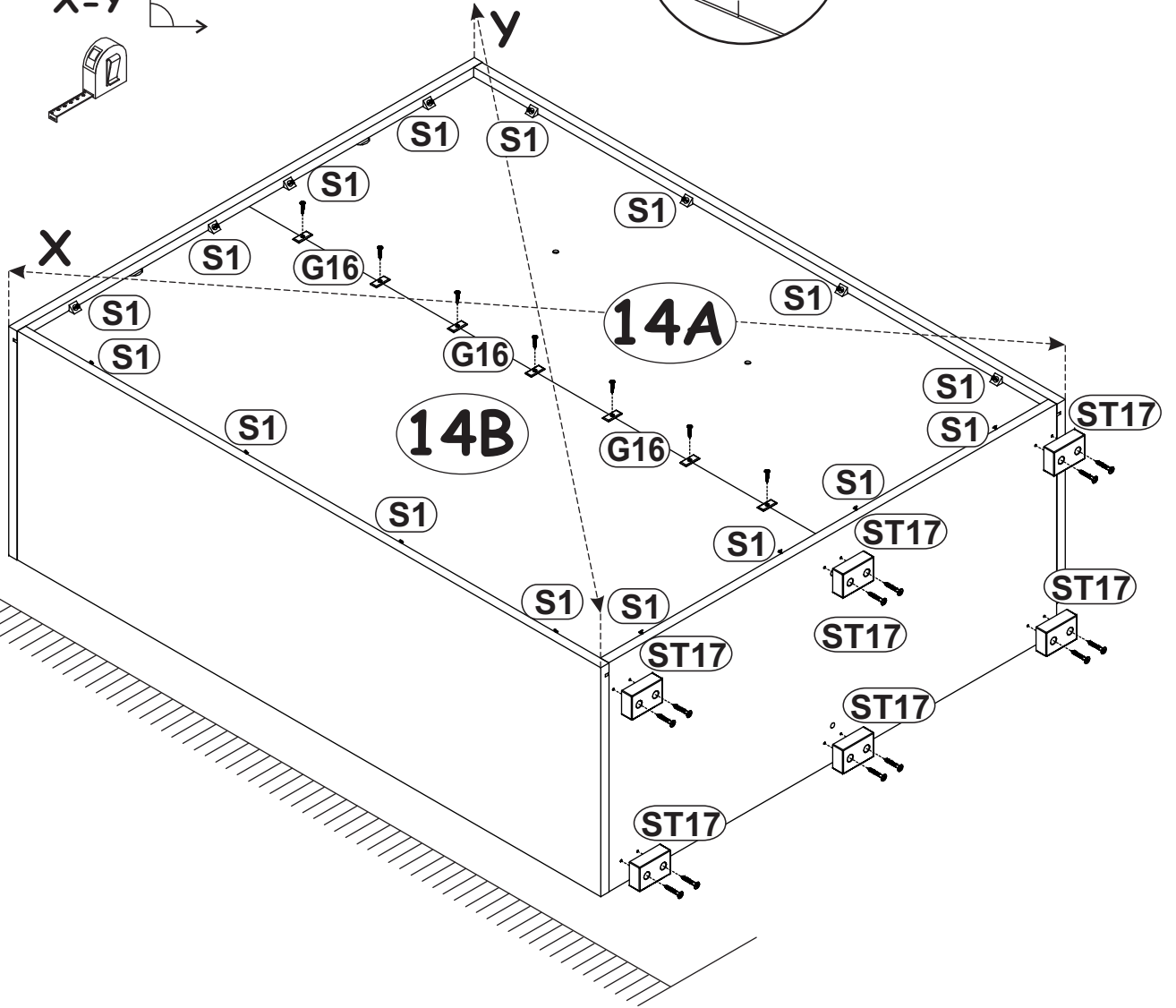
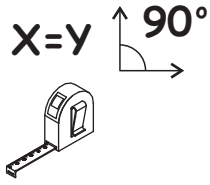
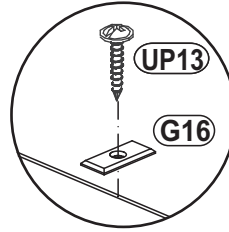
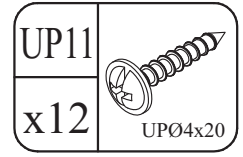
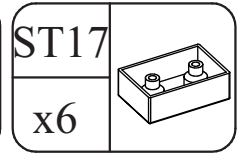
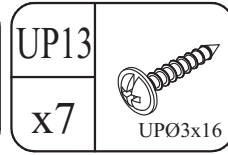
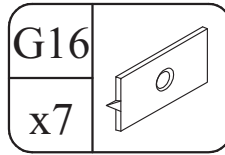
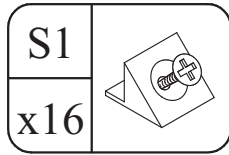
10

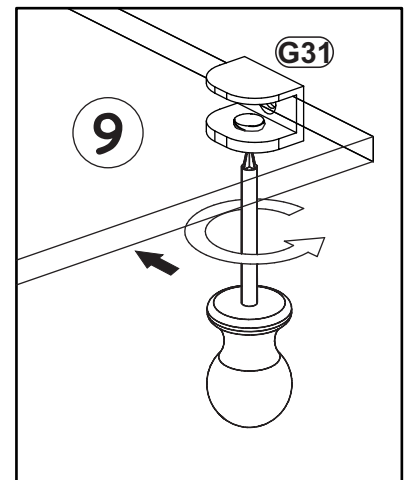
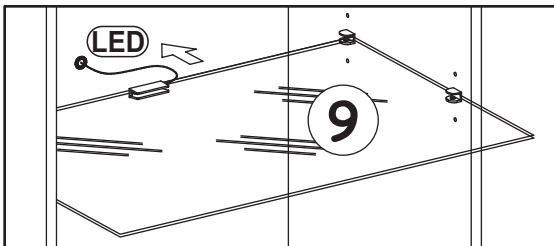
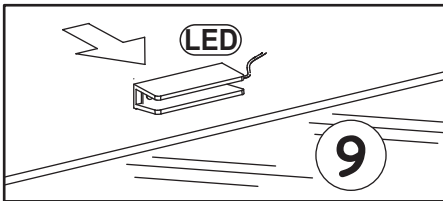
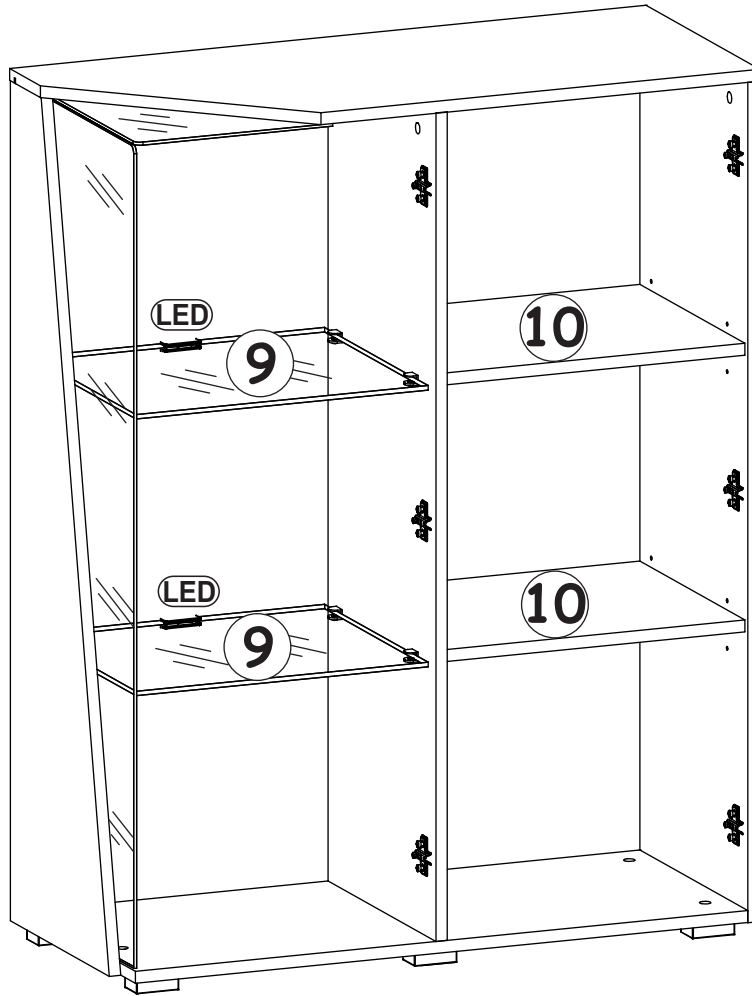
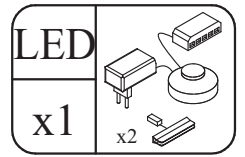


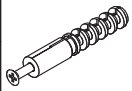
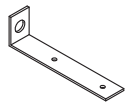

11



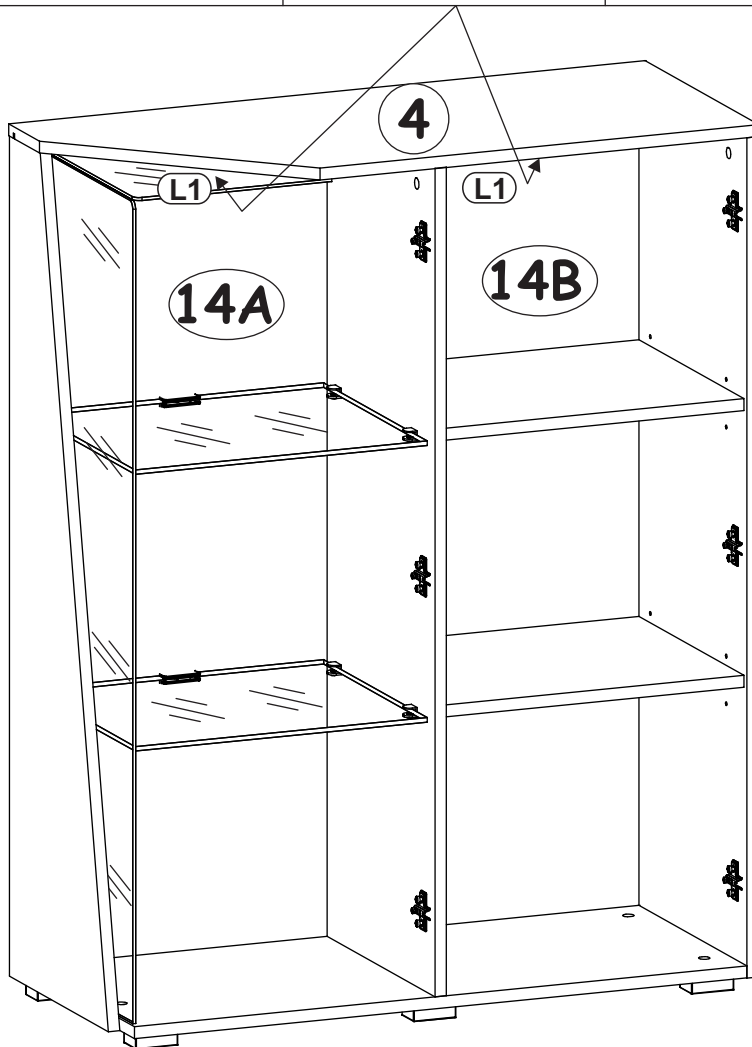
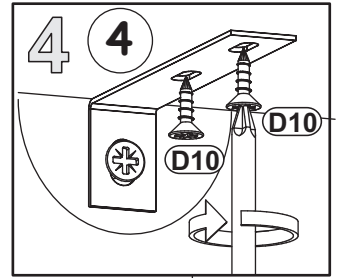
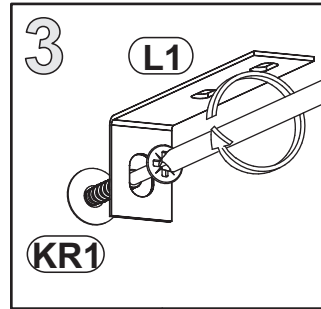
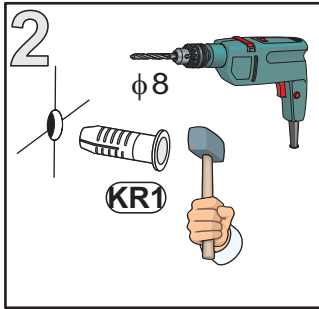
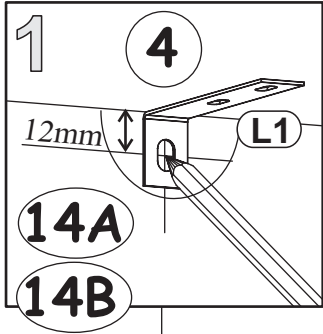
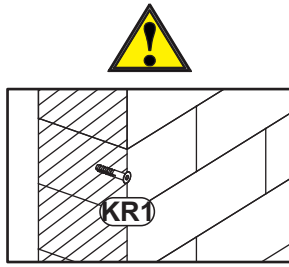
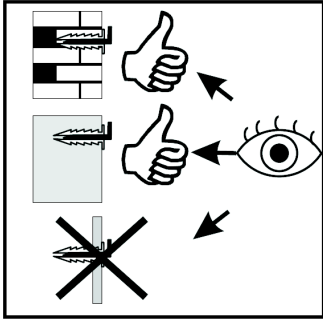
12



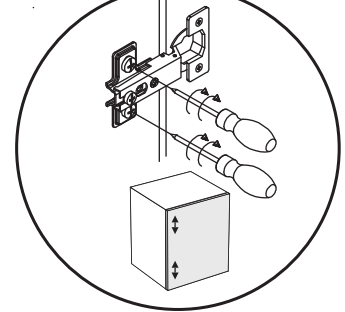
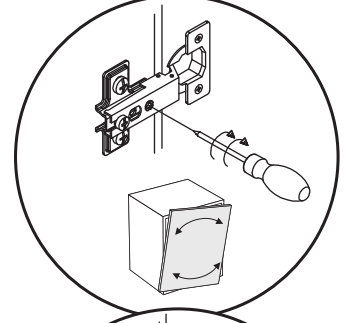
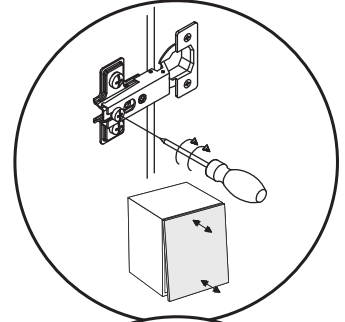
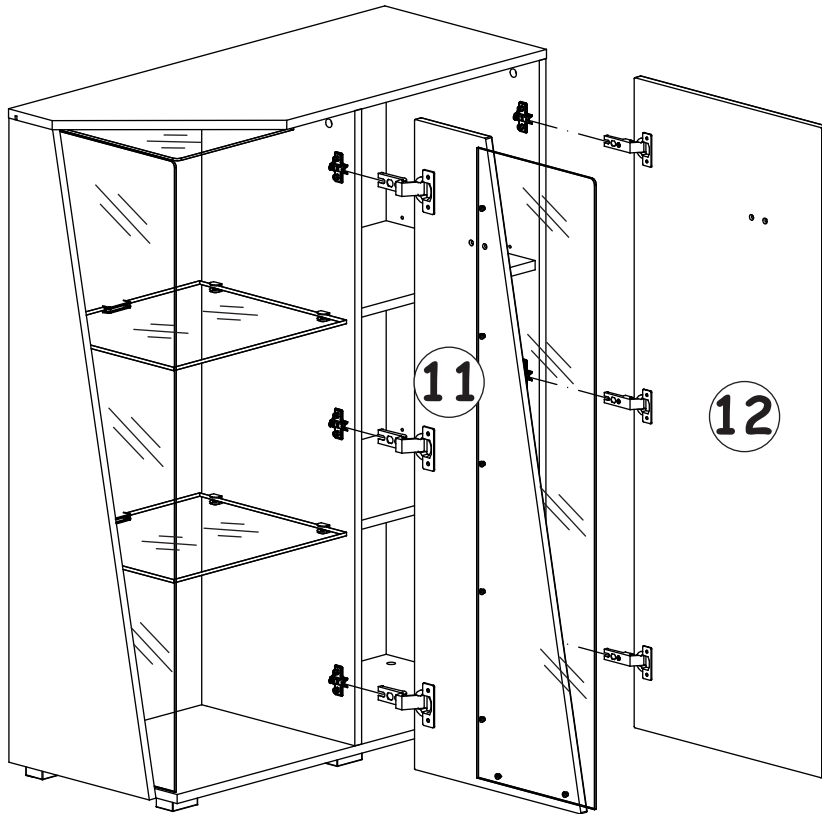


KR1		L1		D10	
x2		x2		x4	USØ3,5x13

14



15



16

