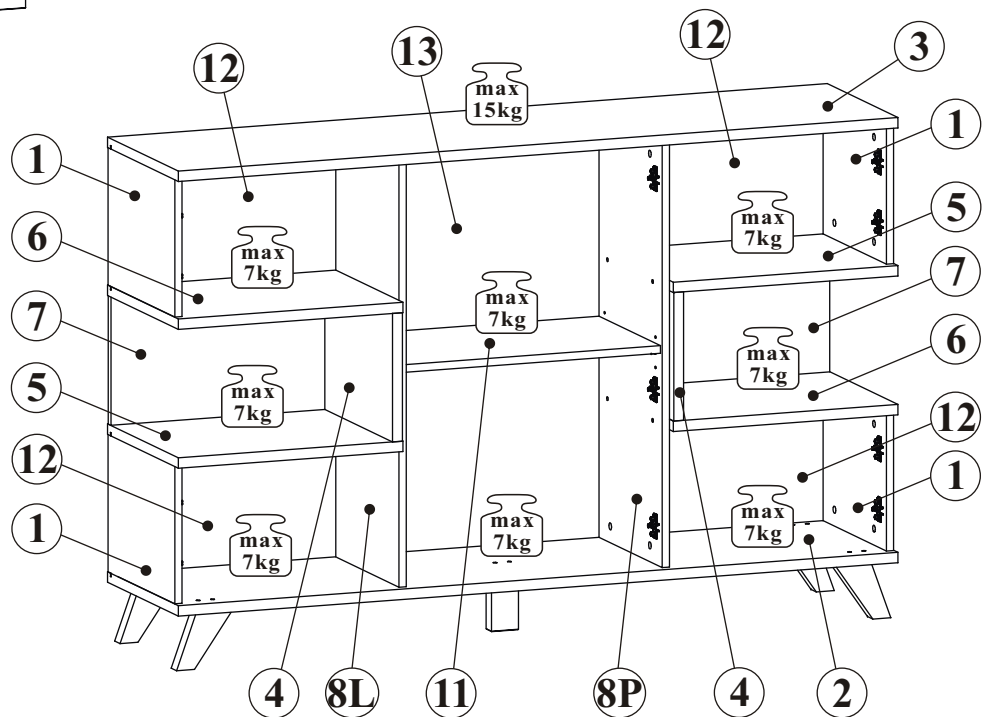
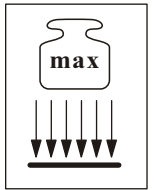
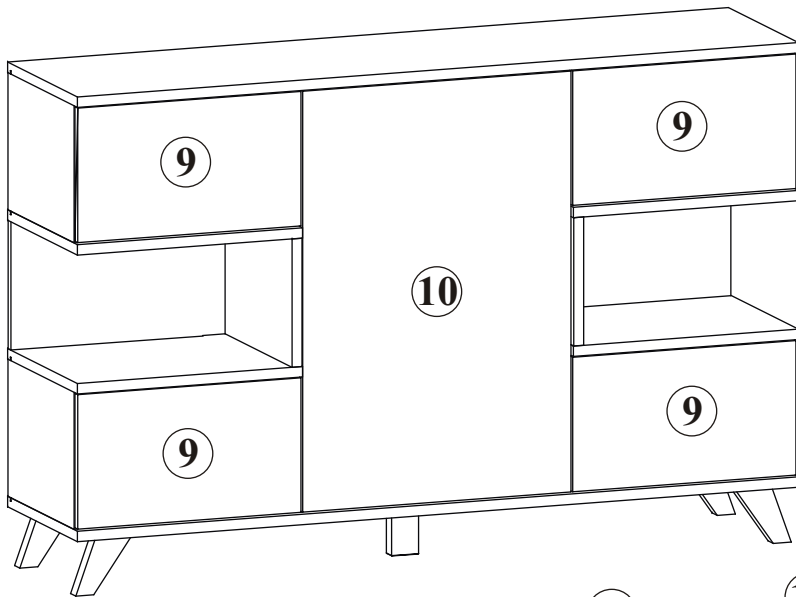
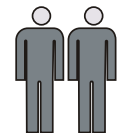
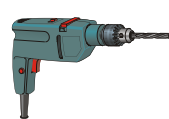


BOGOTA 20_BA SB



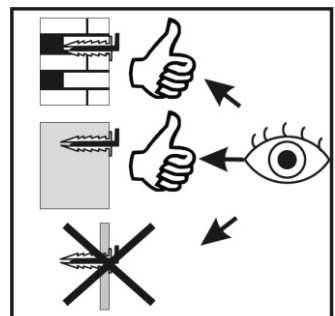
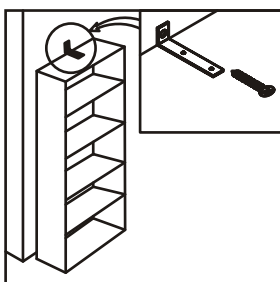
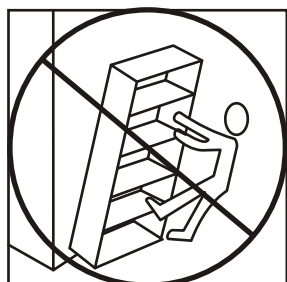
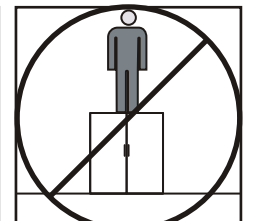
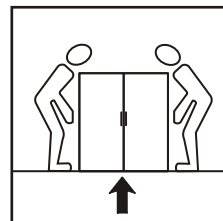
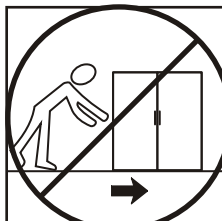
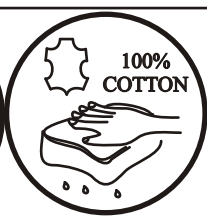
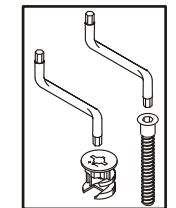
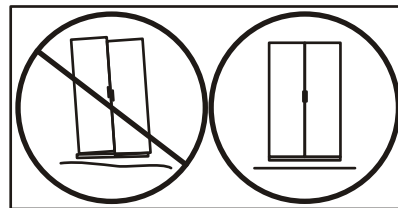
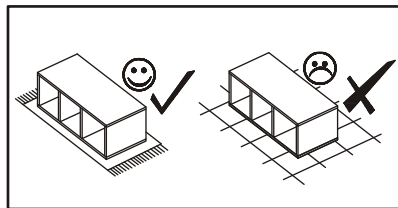
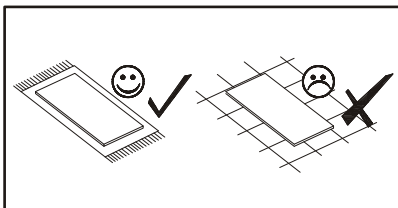
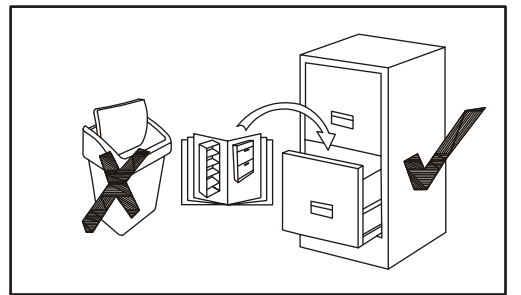
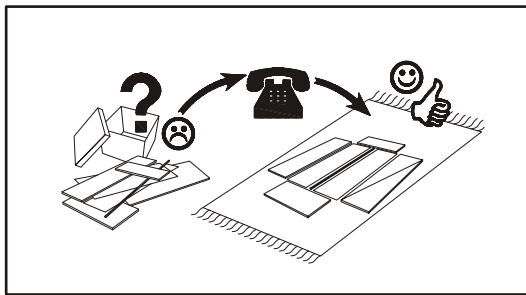
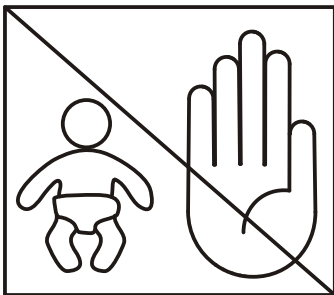
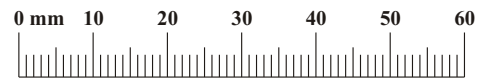
NO	Dim.		Col.-No	Qty	
1	290	378	16	3 / 3.	4
2	1602	400	22	3 / 3.	1
3	1602	400	22	3 / 3.	1
4	271	383	22	1 / 3.	2
5	500	400	22	1 / 3.	2
6	500	400	22	1 / 3.	2
7	499	271	16	1 / 3.	2
8L	895	358	16	3 / 3.	1
8P	895	358	16	3 / 3.	1
9	284	496	16	2 / 3.	4
10	889	596	16	2 / 3.	1
11	570	348	16	2 / 3.	1
12	302	497	3	2 / 3.	4
13	907	586	3	2 / 3.	1




60 min

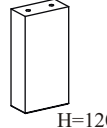
BOGOTA 20_BA SB


A1 x48 ø8x36	B4 x40	B5 x32 ø15x12	B16 x8 ø15x16	G5 x32	G7 x4
E1 x11 Ø26 H=0	E2 x11 H=0	D10 x34 USØ3,5x13	OD1 x5	B11 x18 Ø7x50	G4 x18
SK x4 H=120	SP x1 H=120	G16 x8	UP13 x8 UPØ3x16	S1 x24	G2 x1
KR1 x1	L1 x1				




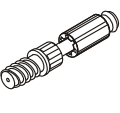
1

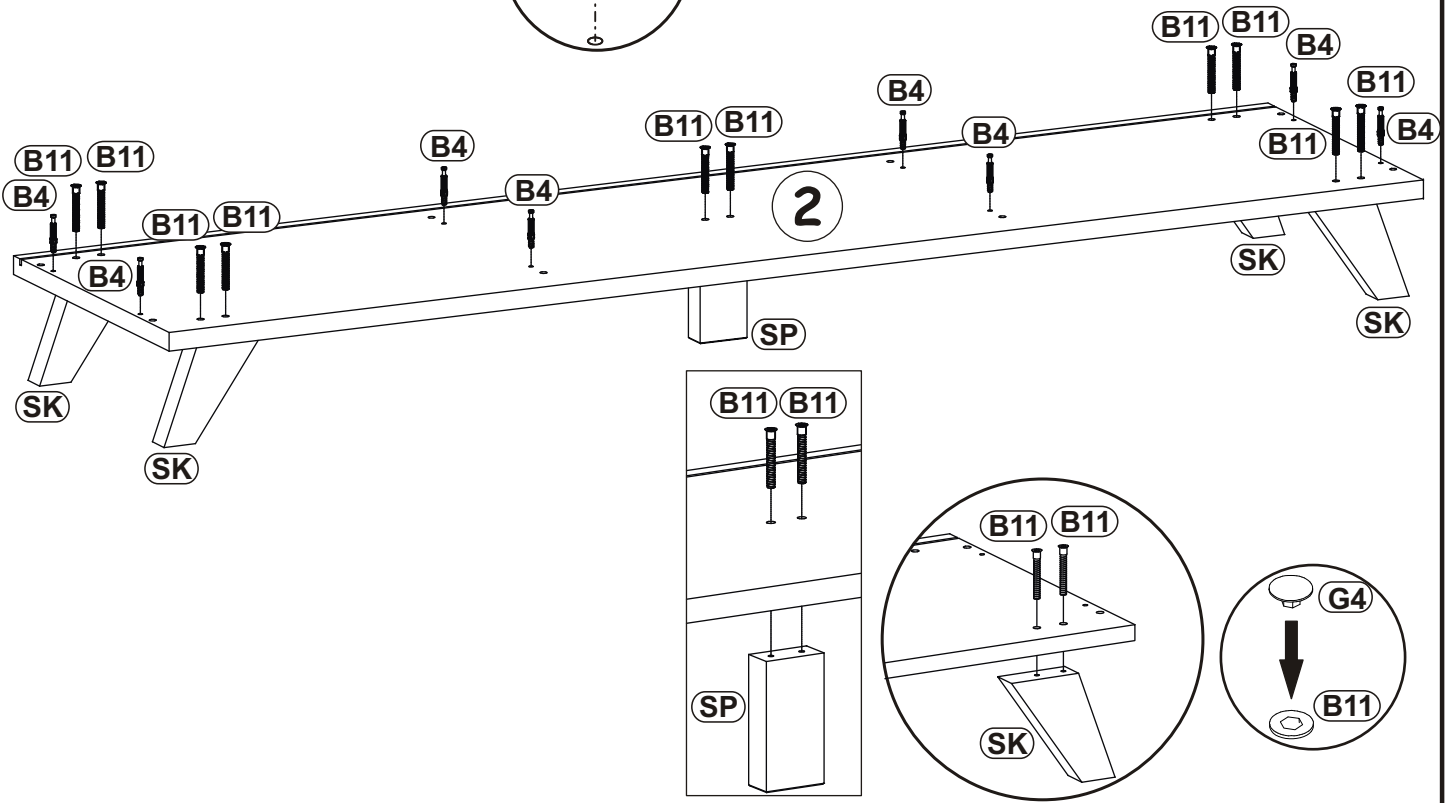
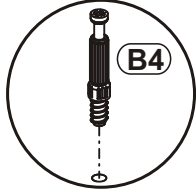
SK	
x4	H=120

SP	
x1	H=120

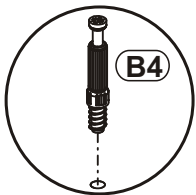
B11	
x10	Ø7x50

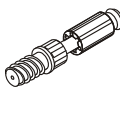
G4	
x10	

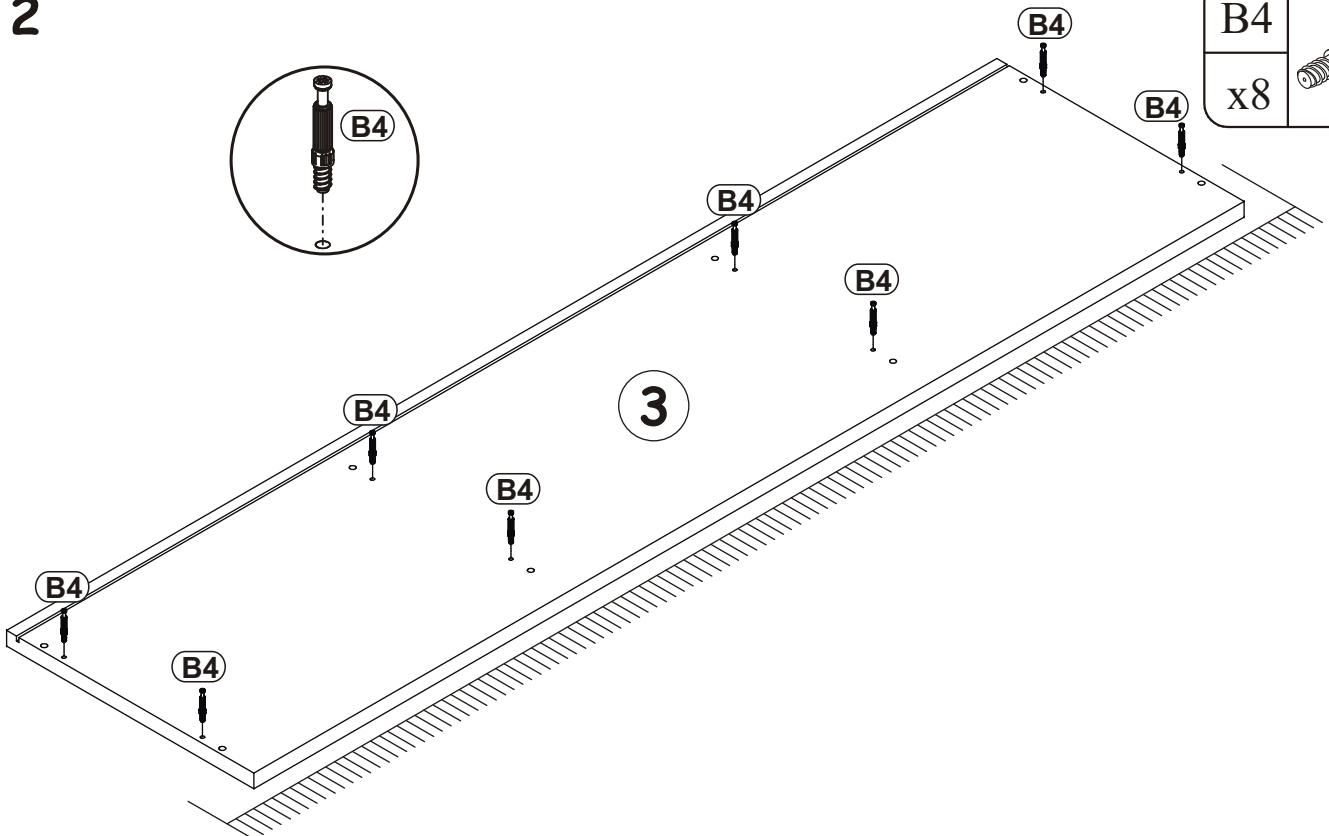
B4	
x8	



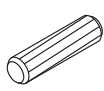
2

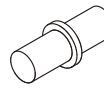


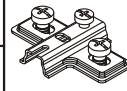
B4	
x8	




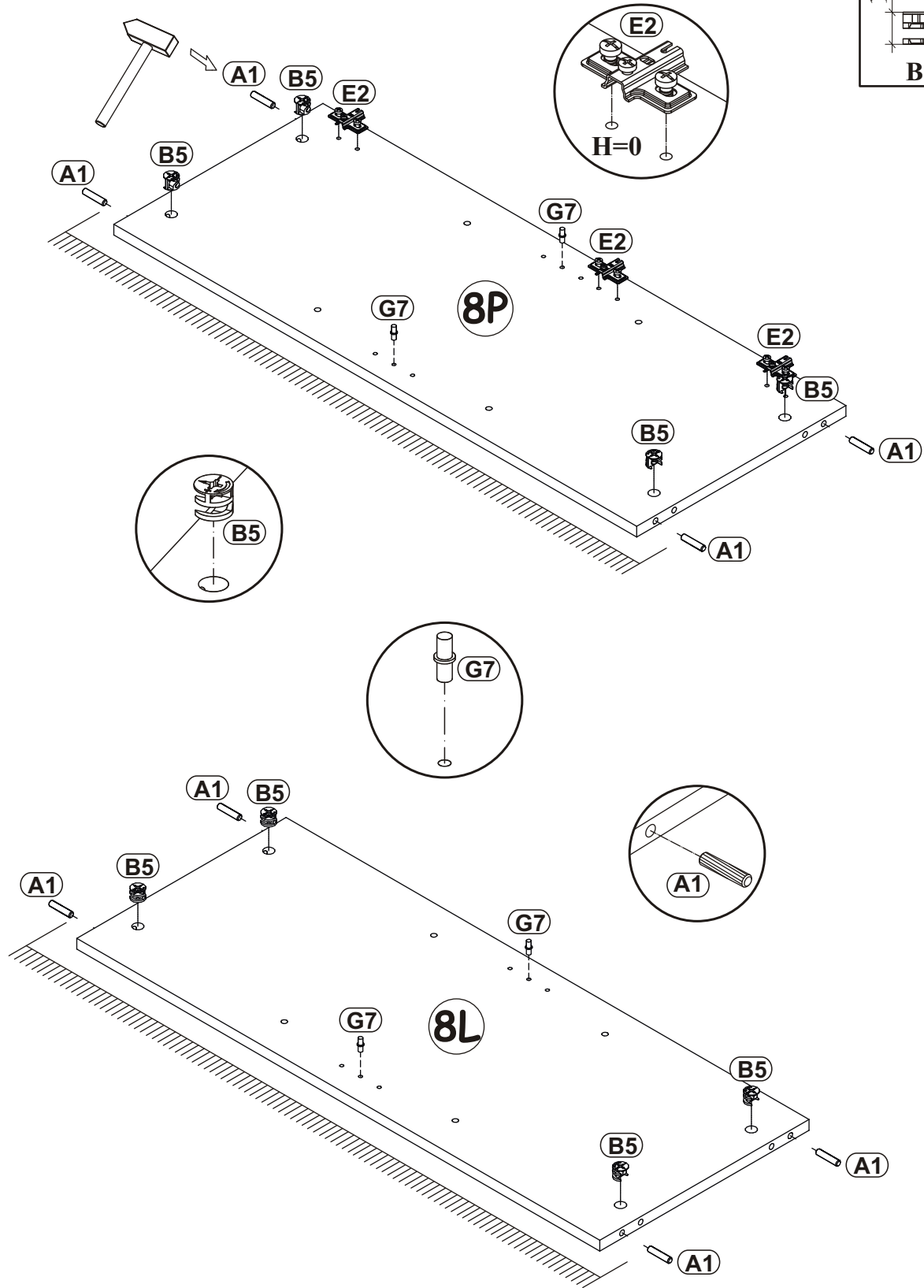
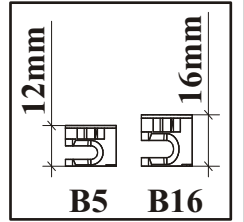
3

A1	
x8	ø8x36

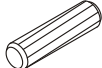
G7	
x4	


E2	
x3	H=0


B5	
x8	ø15x12

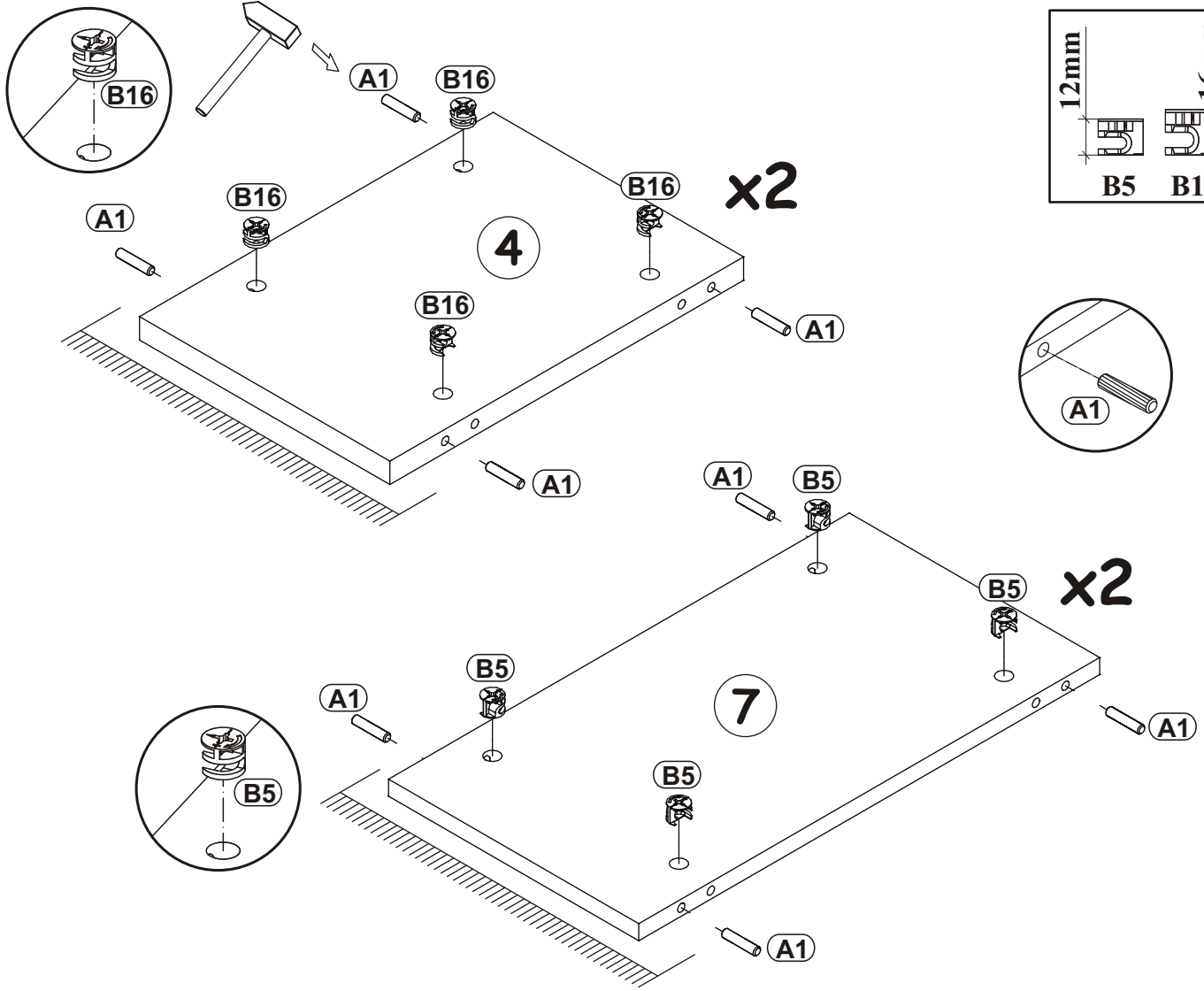
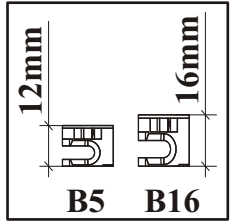


4

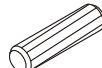
A1	
x16	ø8x36


B5	
x8	ø15x12


B16	
x8	Ø15x16

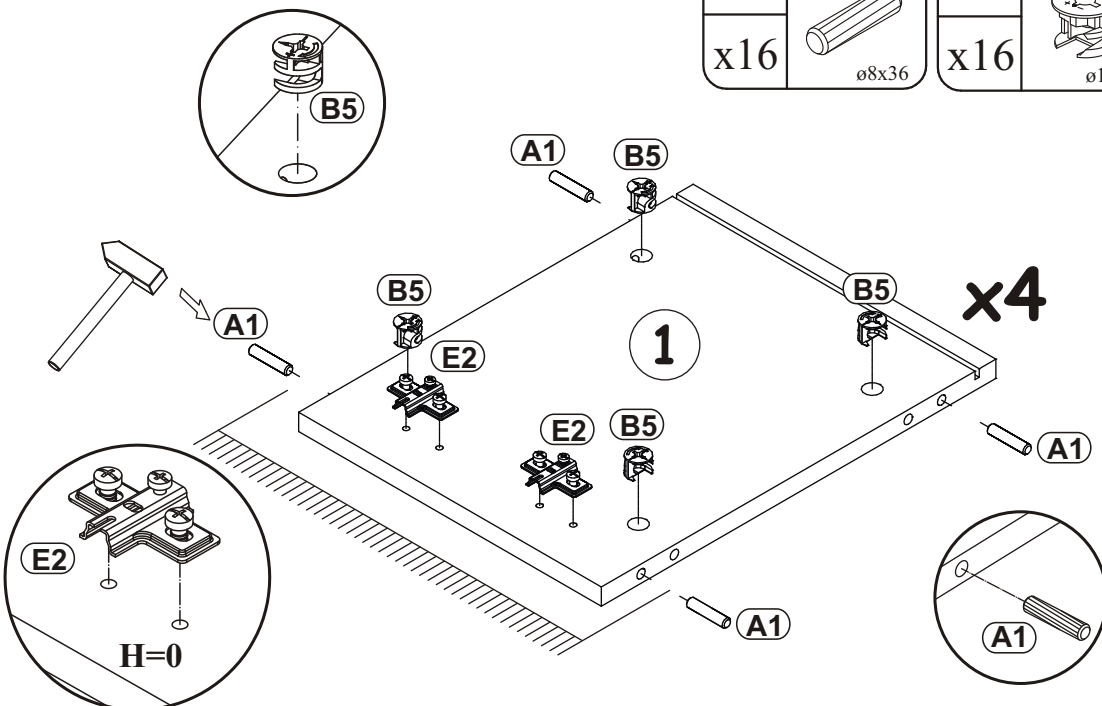
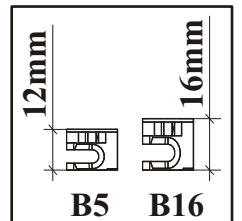


5

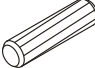
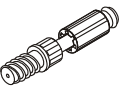
A1	
x16	ø8x36

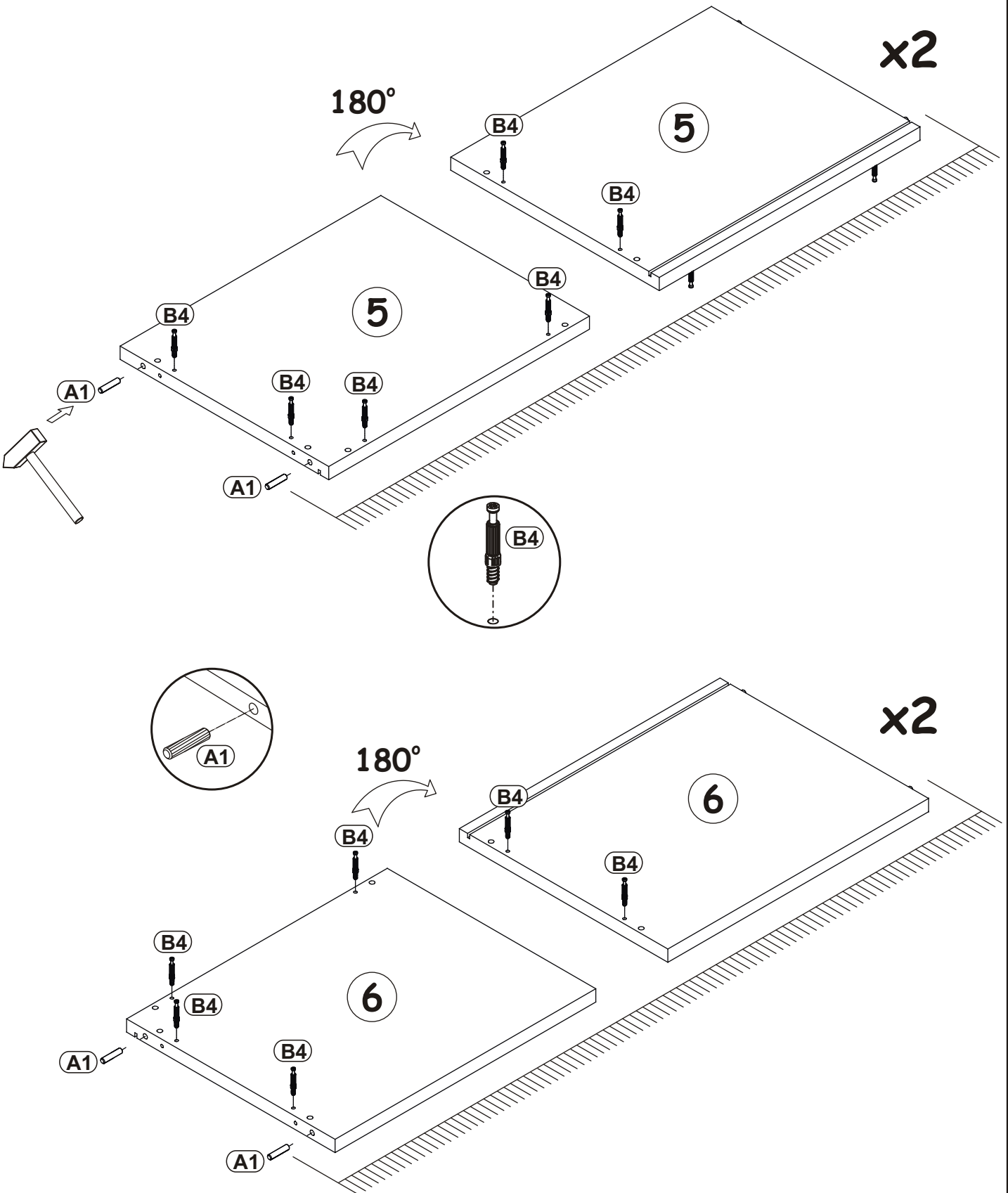
B5	
x16	ø15x12

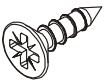
E2	
x8	H=0



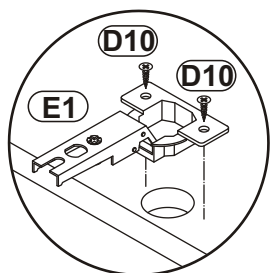
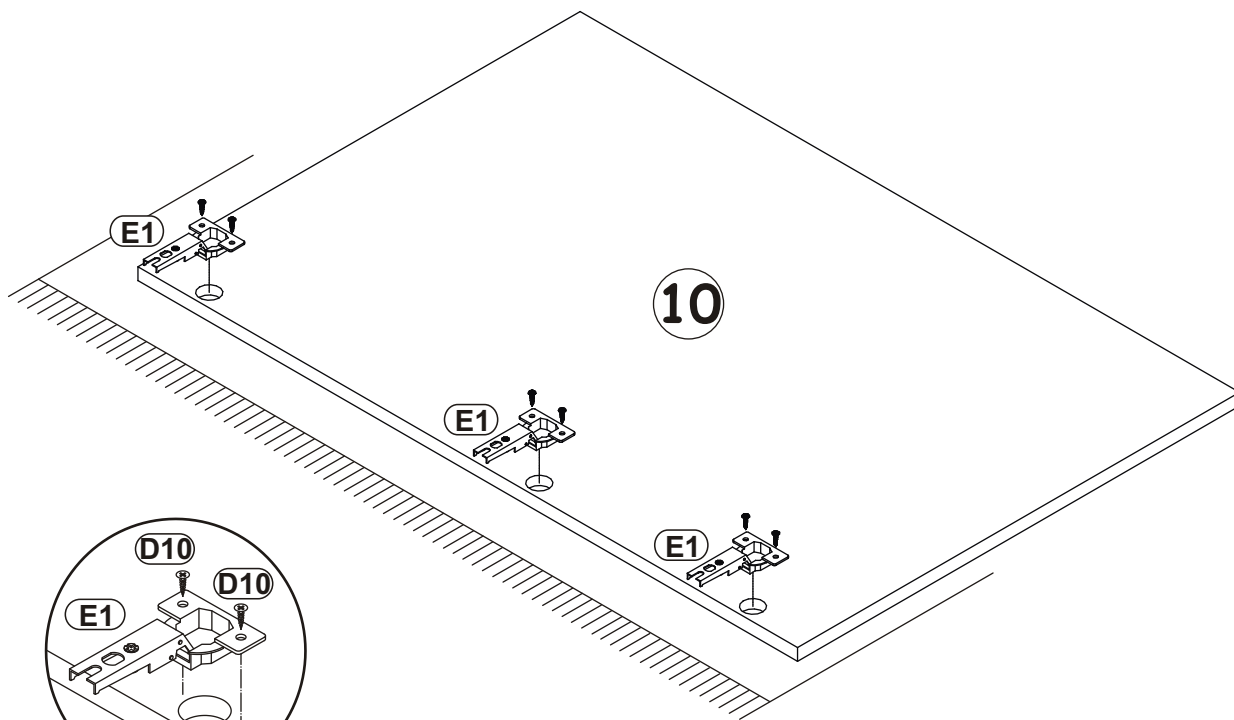
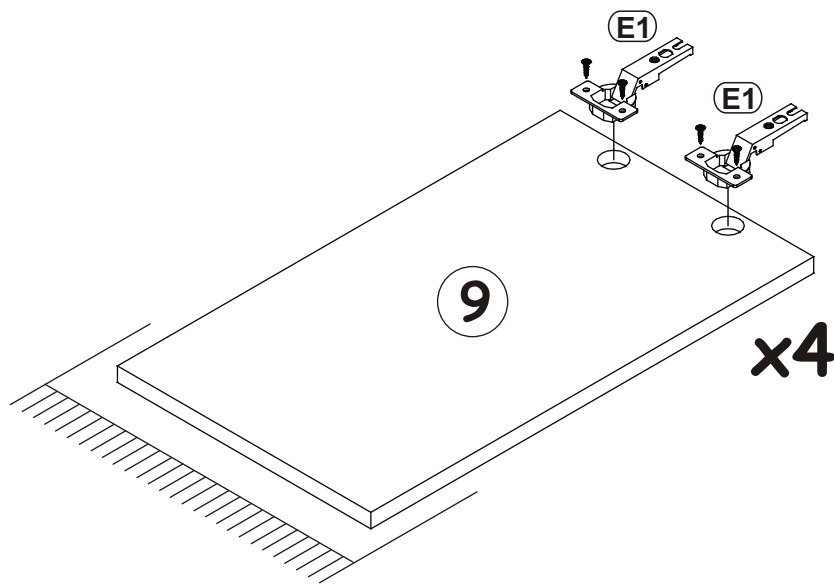
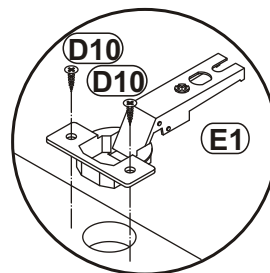
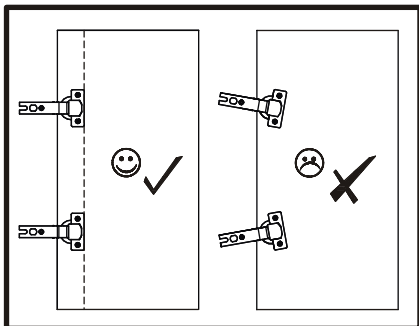
6


A1		B4	
x8	ø8x36	x24	



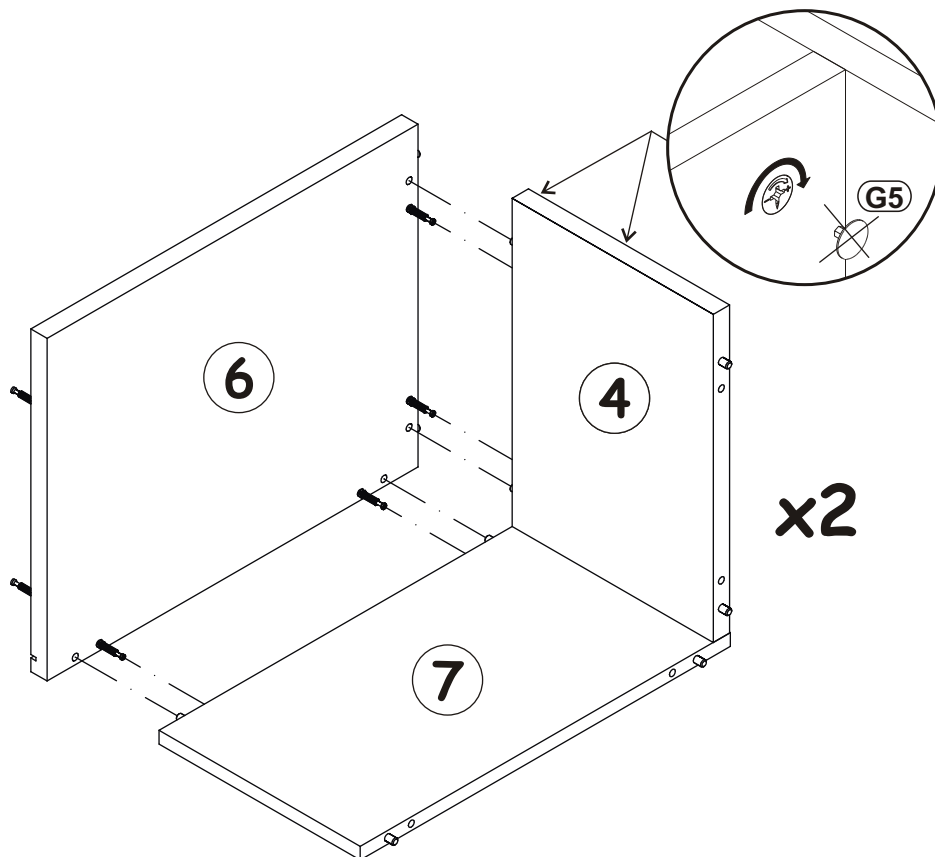
E1	Ø26	D10	 USØ3,5x13
x11	H=0	x22	

7

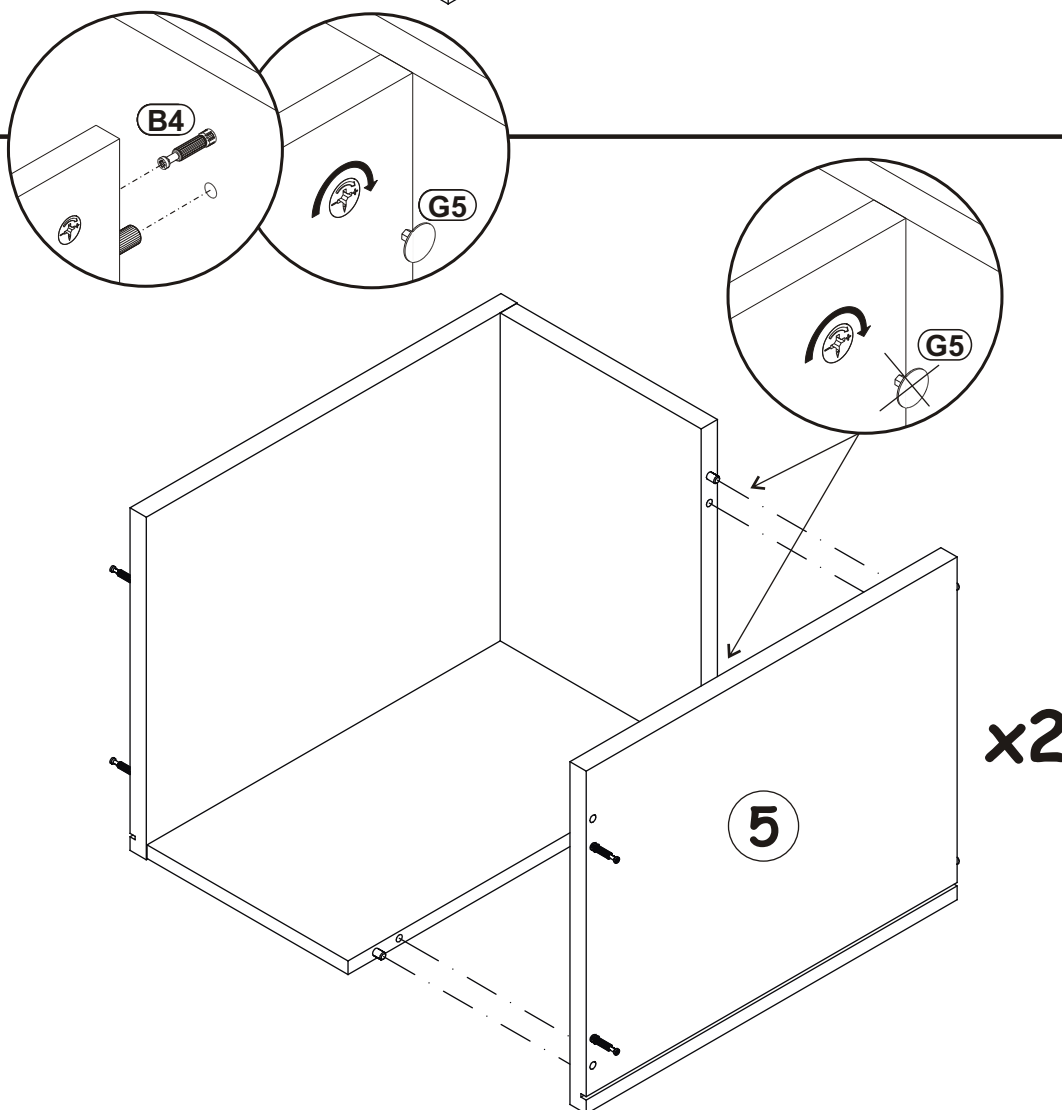



G5	
x4	

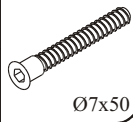

8



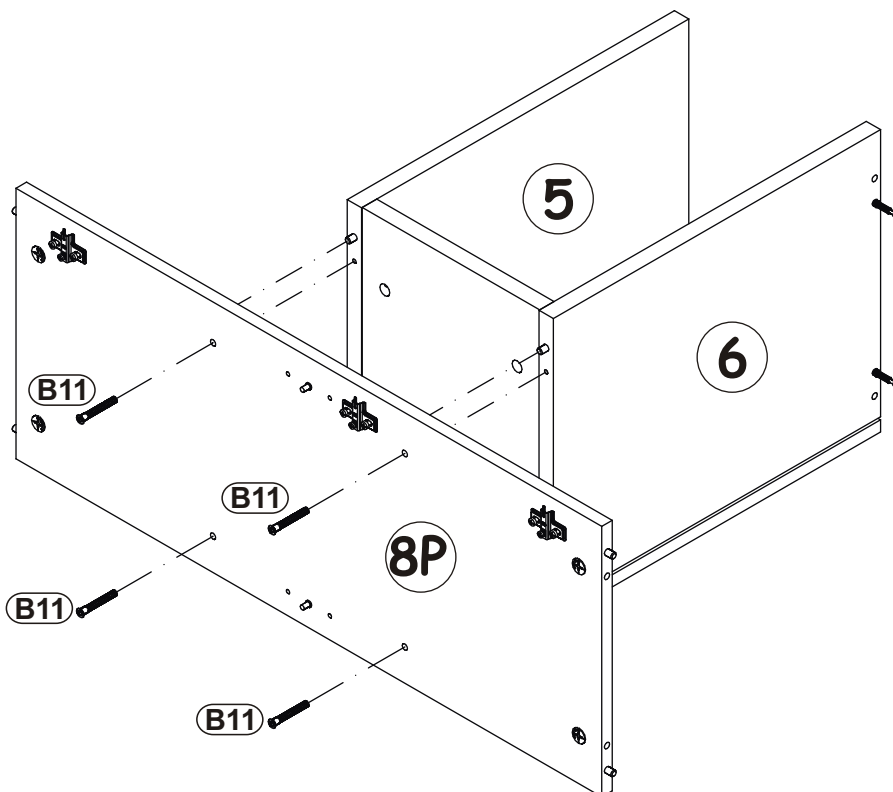
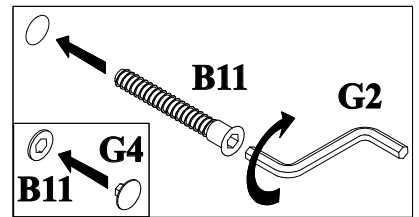
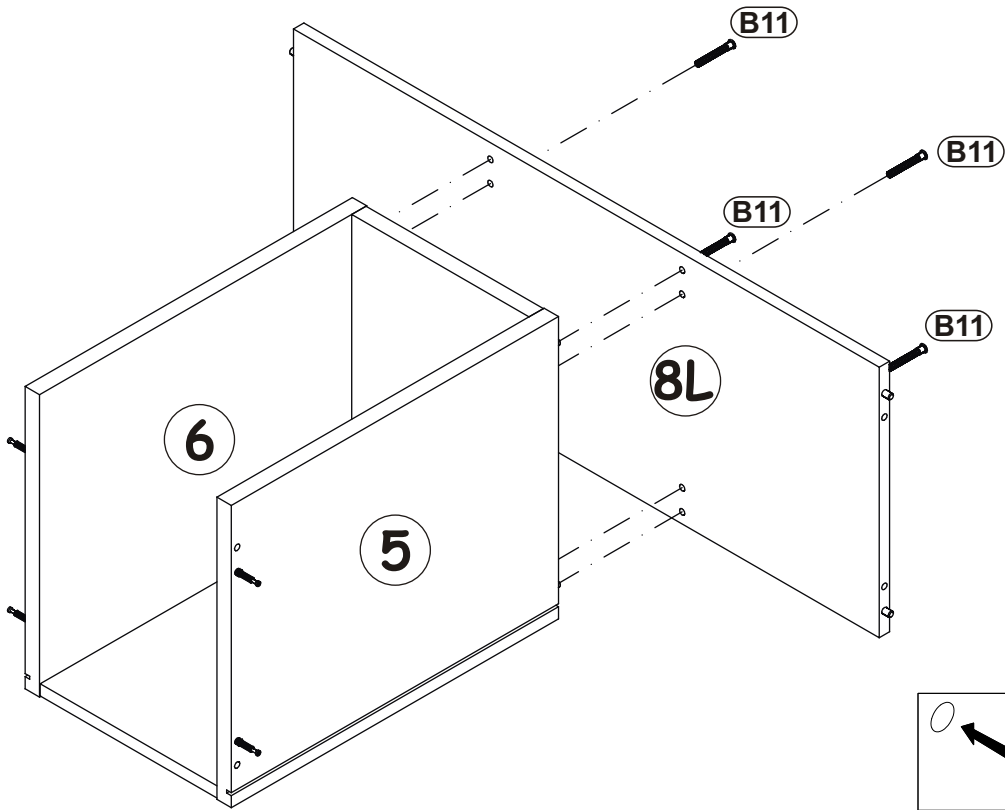
9



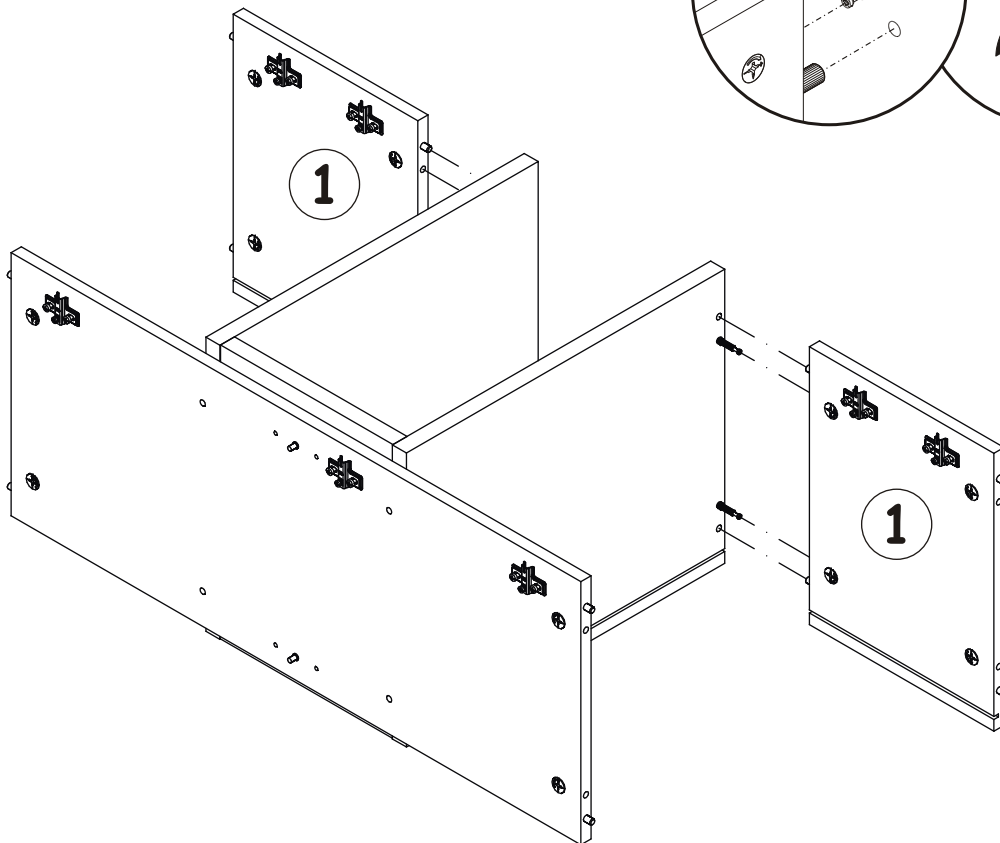
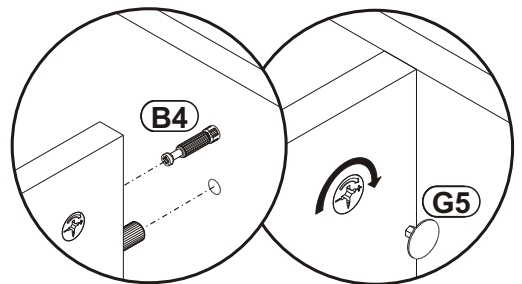
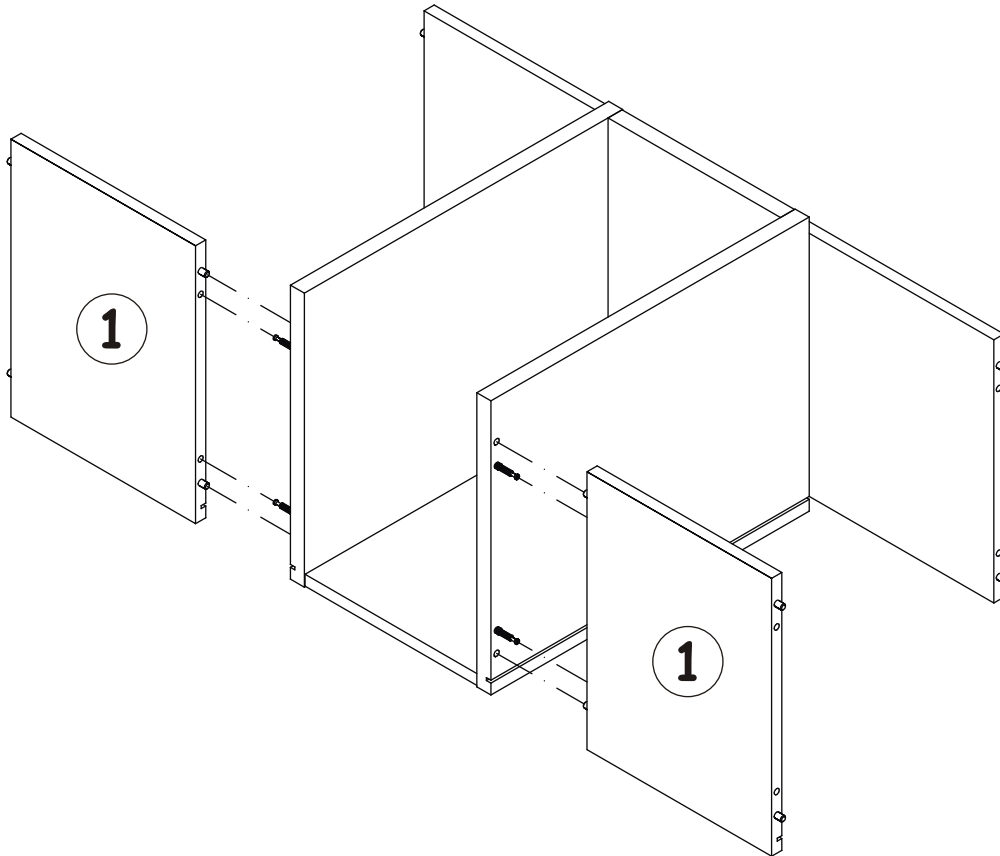
G5	
x4	

B11		G4	
x8	Ø7x50	x8	

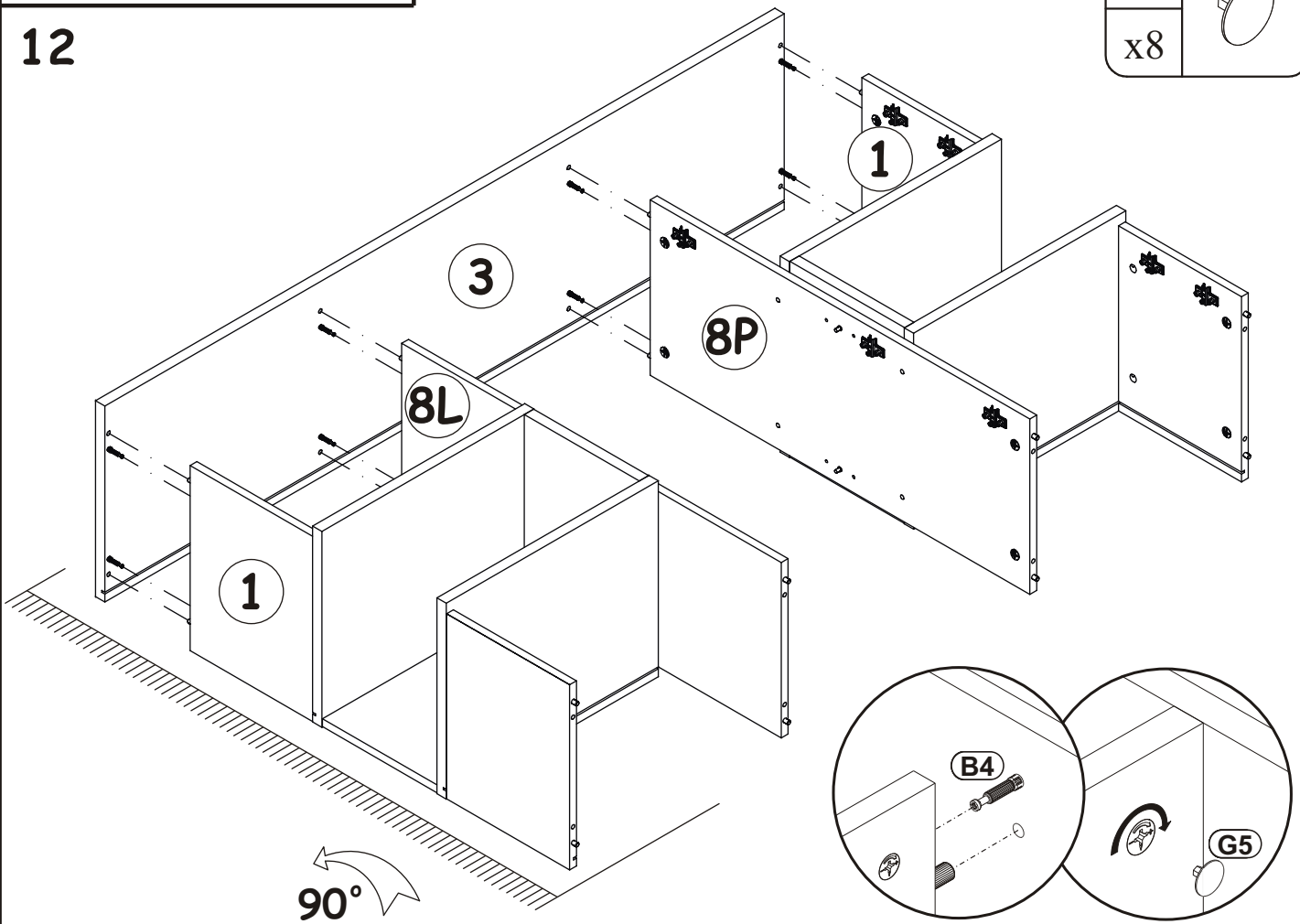
10



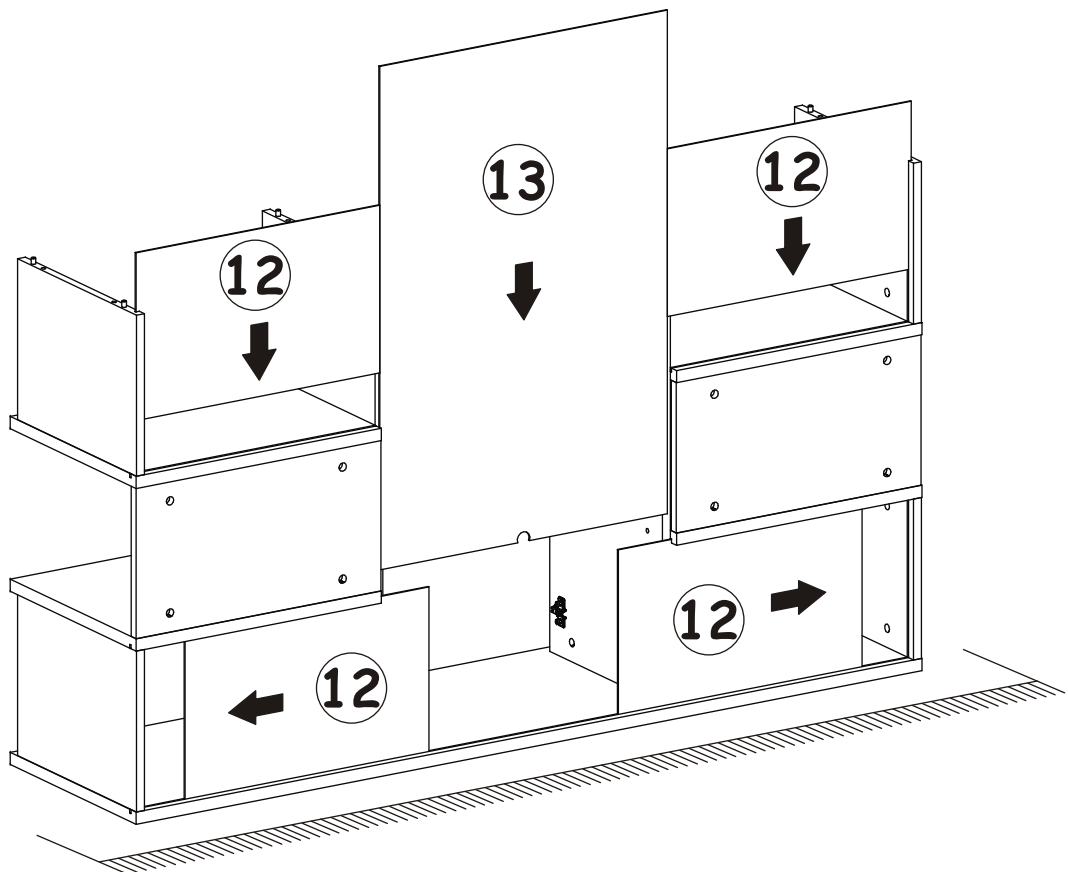
11



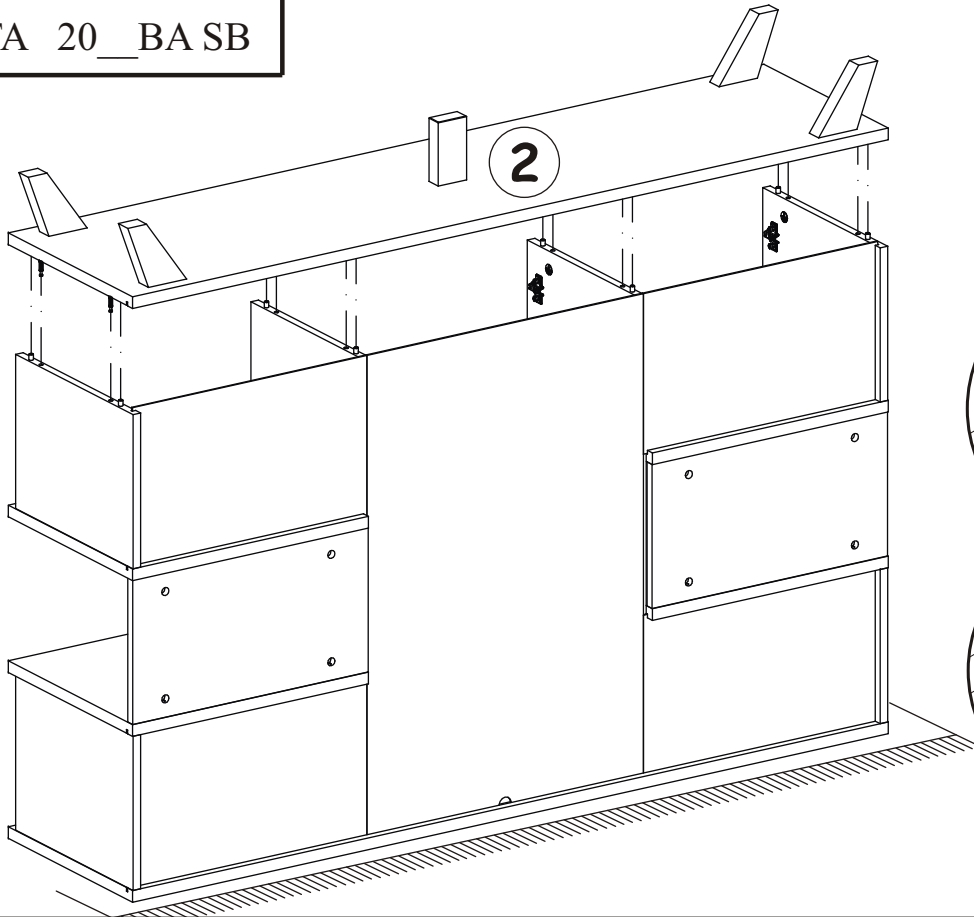
12




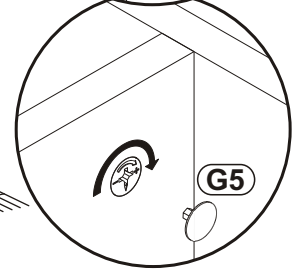
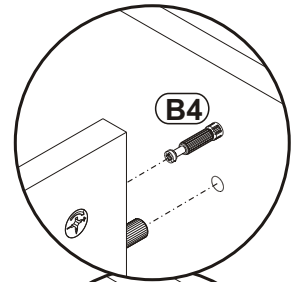
13



14

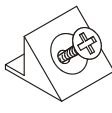


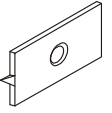
G5	
x8	




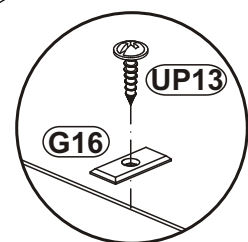
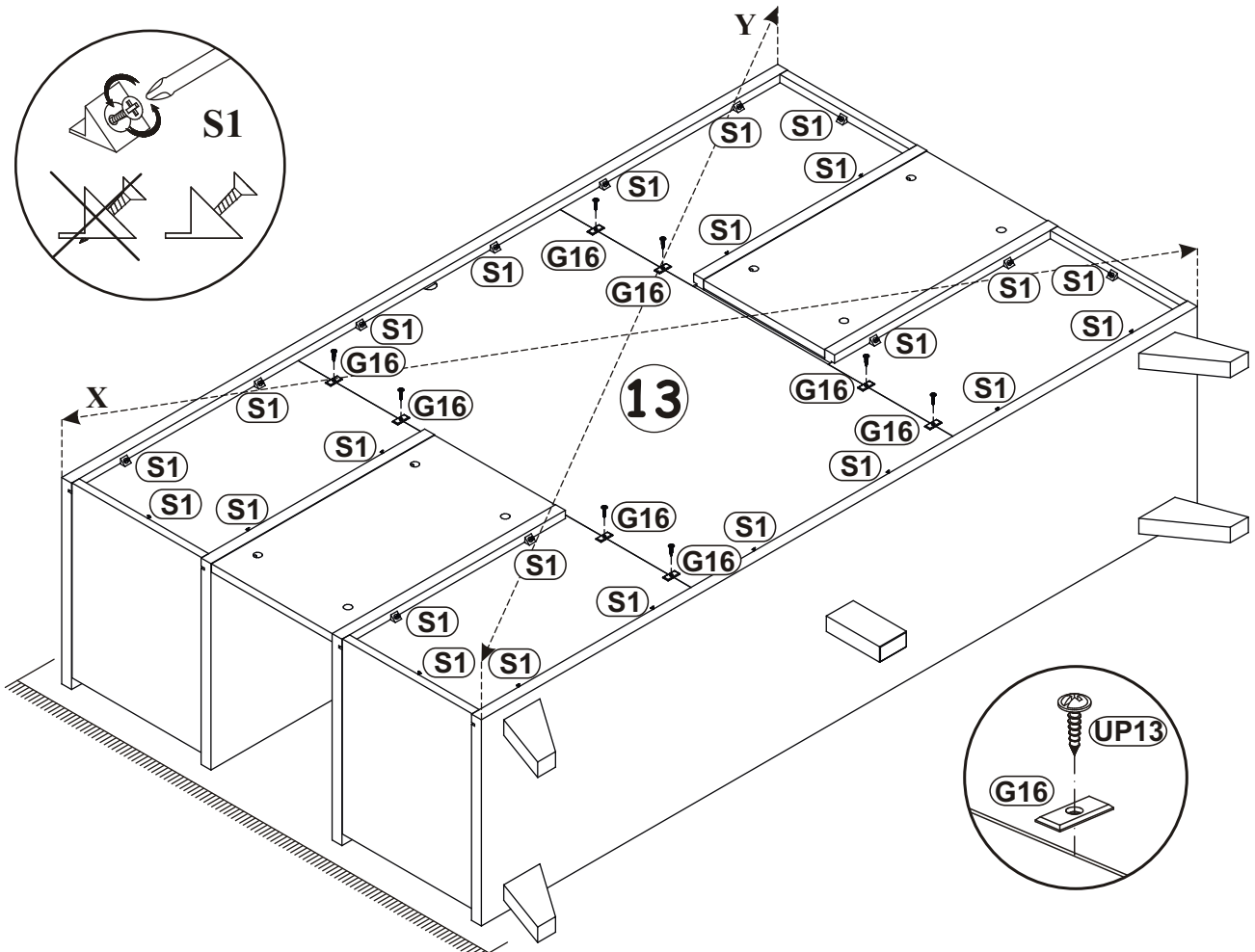
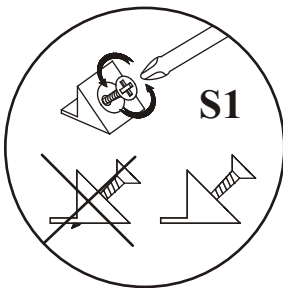
15

$X=Y$ \uparrow 90°

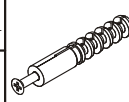
S1	
x24	

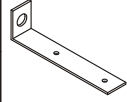
G16	
x8	


UP13	
x8	UPØ3x16

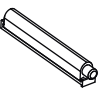


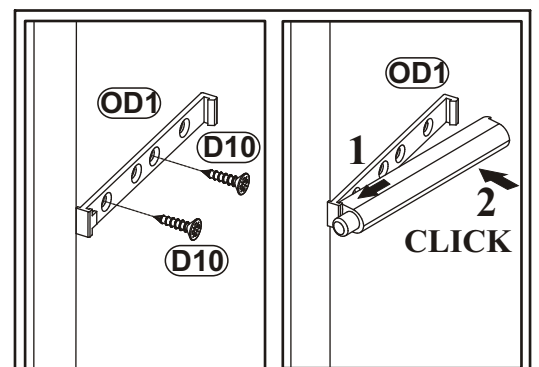
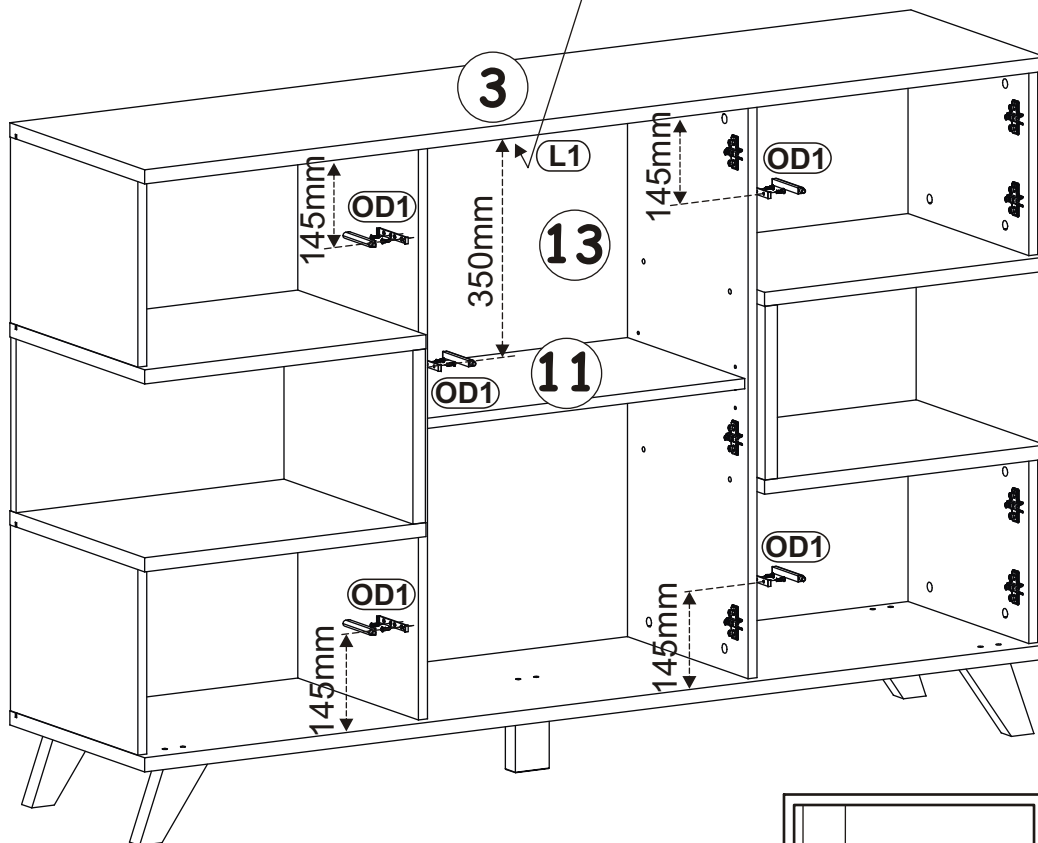
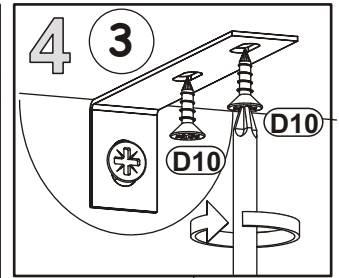
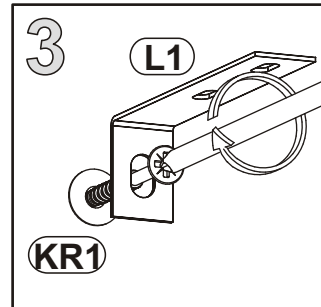
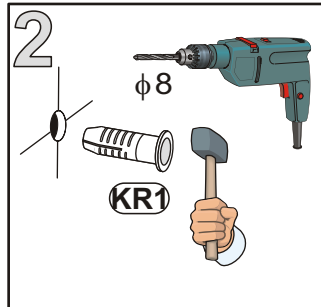
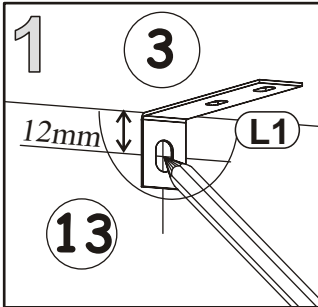
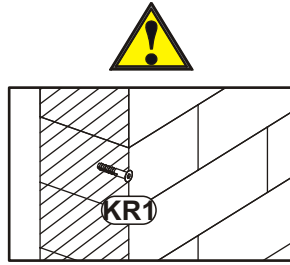
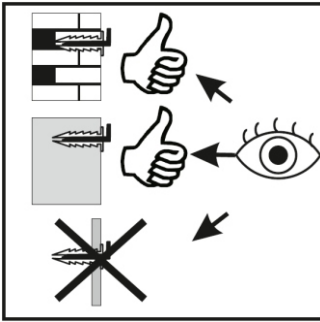
16

KR1	
x1	

L1	
x1	

D10	
x12	USØ3,5x13

OD1	
x5	



17

