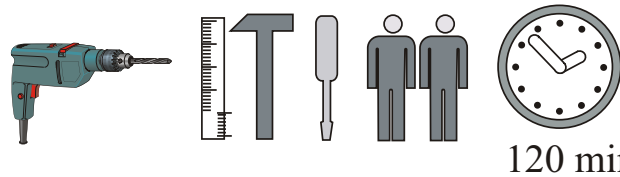
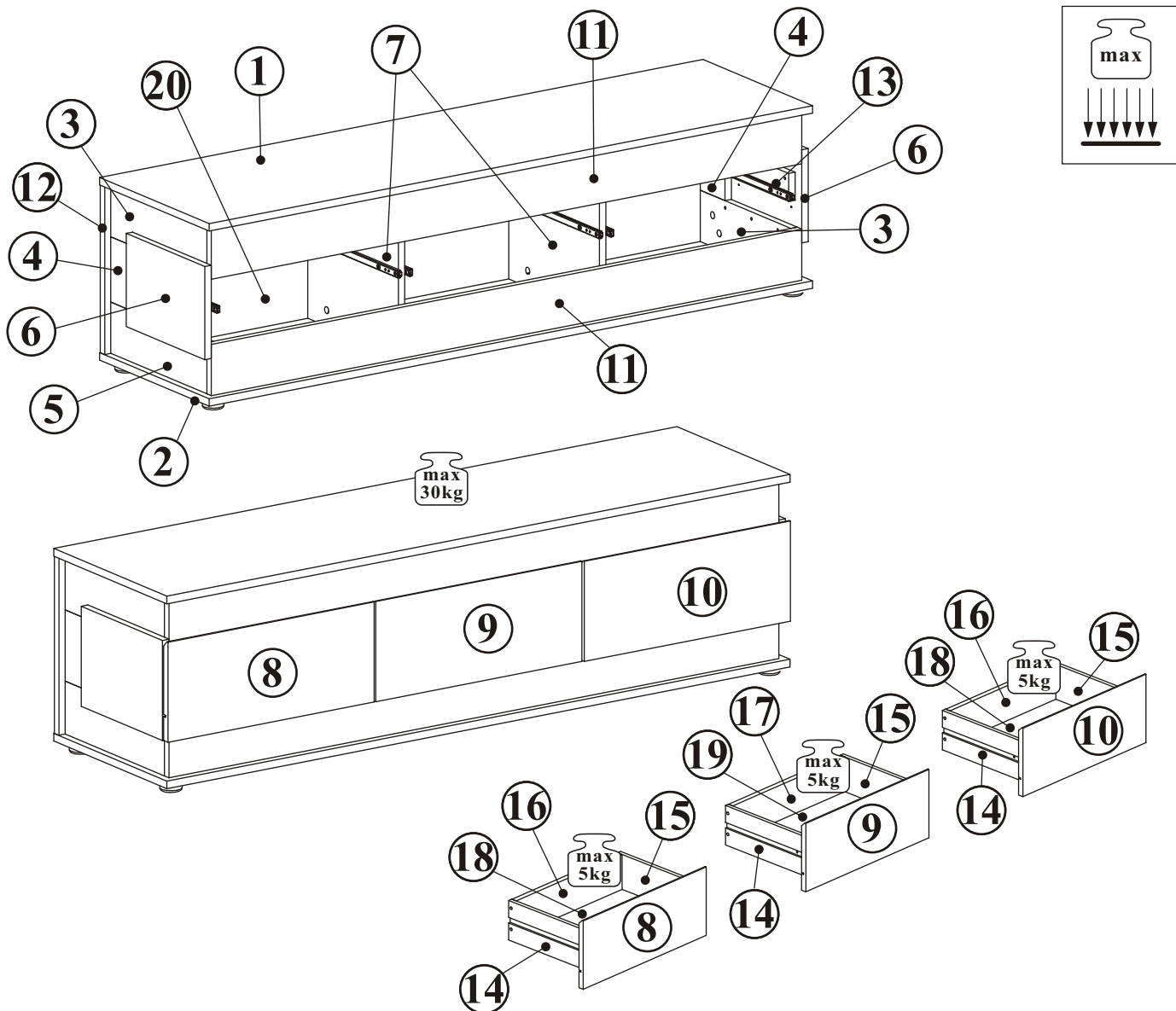


BERLIN 20 _BL RTV



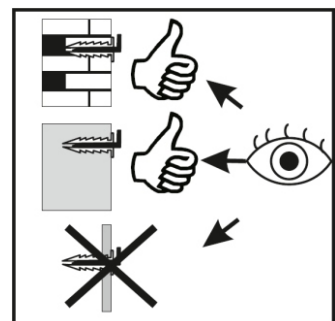
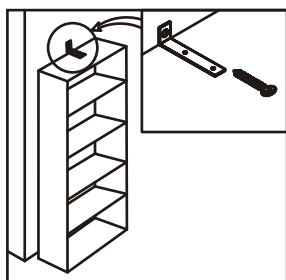
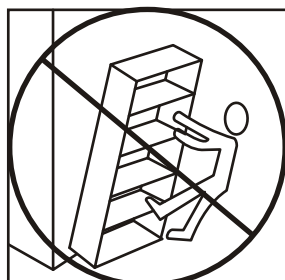
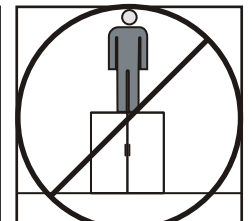
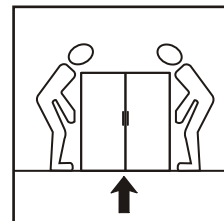
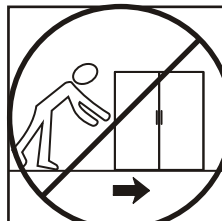
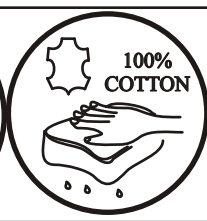
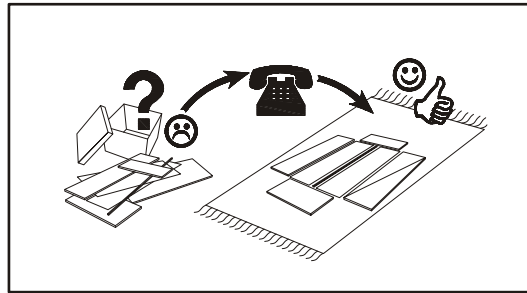
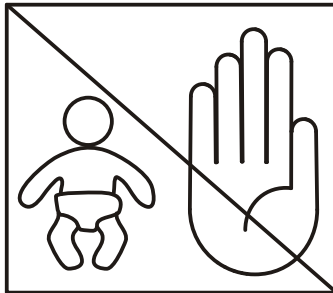
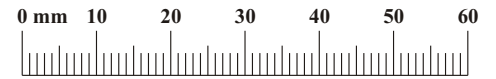
120 min

NO	Dim.			Col-No	Qty
3	110	351	16	1	2
4	140	110	16	1	2
5	110	351	16	1	2
6	200	287	16	1	2
7	360	331	16	1	2
8	496	200	16	1	1
9	496	200	16	1	1
10	496	200	16	1	1
12	360	60	16	1	2
13	233	60	16	1	2
14	300	120	12	1	3
15	300	120	12	1	3
18	305	437	3	1	2
19	305	461	3	1	1

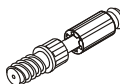
NO	Dim.			Col-No	Qty
1	1500	400	16	2	1
2	1500	400	16	2	1
11	1468	110	16	2	2
16	427	106	16	2	2
17	451	106	16	2	1
20	1448	372	3	2	1


BERLIN 20_BL RTV

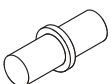
A1 x46 ø8x36	B4 x30	B5 x32 ø15x12	G5 x32	B6 x4 Ø7x76	UP6 x16 UPØ4x30
L1 x2	KR1 x2	UP13 x18 UPØ3x16	B7 x6 Ø15x10,3	UP11 x6 UPØ4x20	I11 x6 Ø45, h=15
D10 x4 USØ3,5x13	A6 x8 Ø8x80	S1 x15	G8 x6 Ø20	D20 x12 ESØ6,3x9,5	G2 x1
D18 x6 M4x9	B11 x12 Ø7x50	G4 x12	H6 x3 L-278mm.	UP12 x2 UPØ3,5x30	

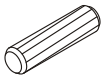


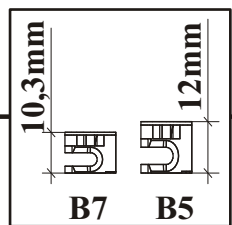
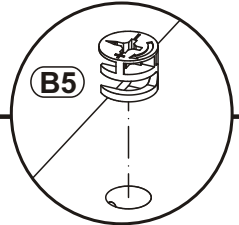
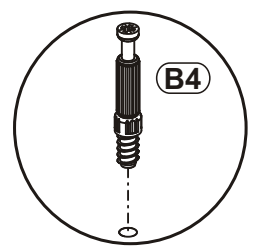
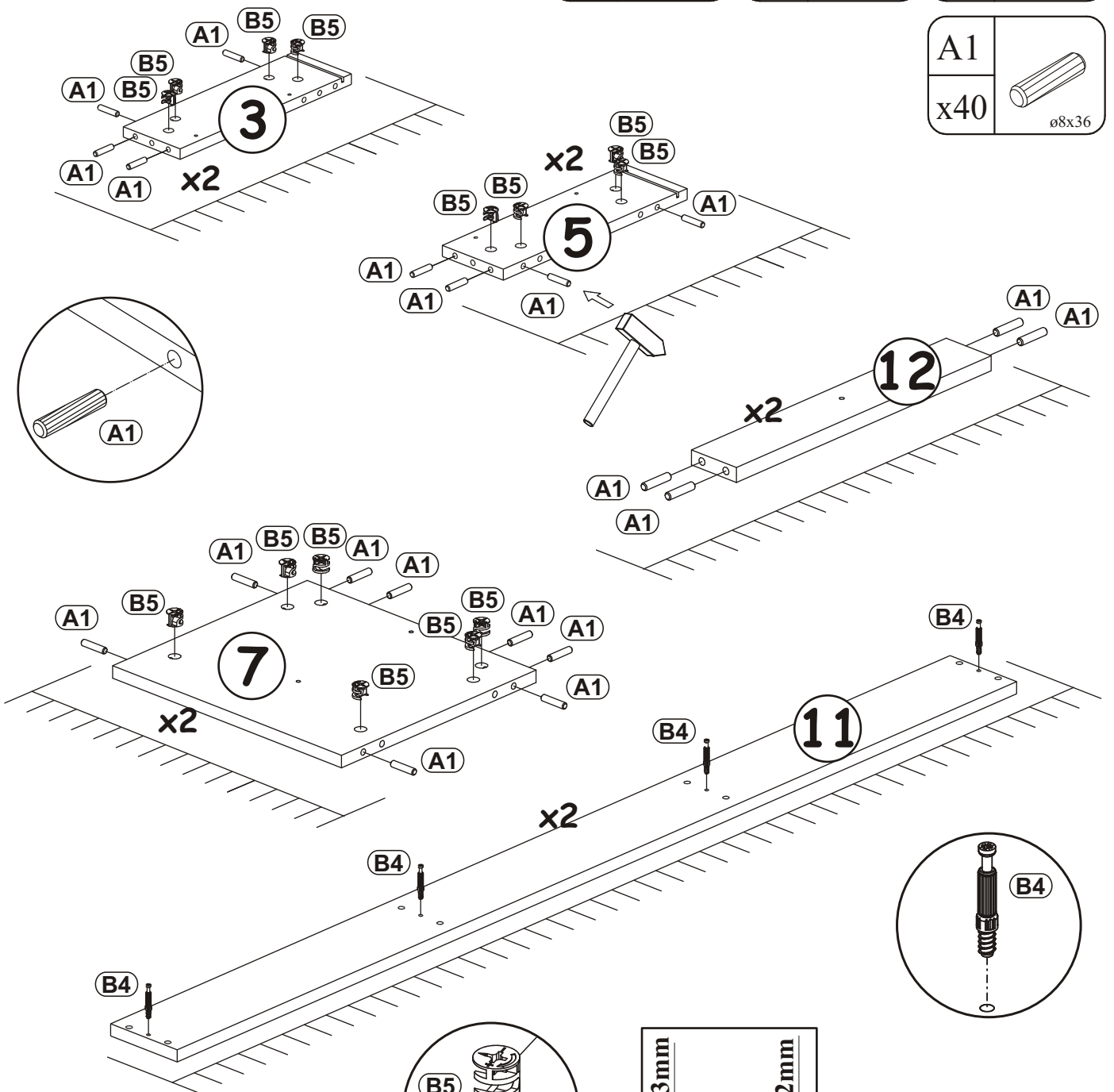
1

B4	
x8	

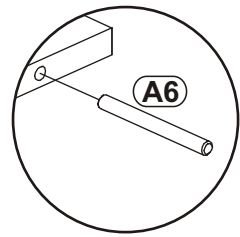
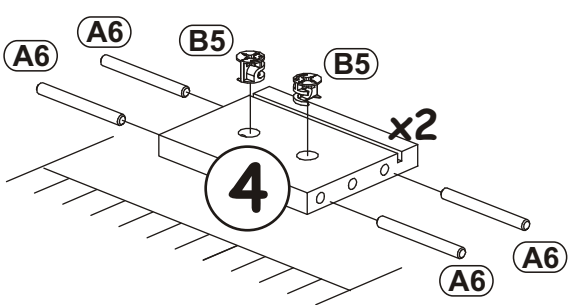
B5	
x28	ø15x12


G7	
x6	

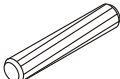
A1	
x40	ø8x36



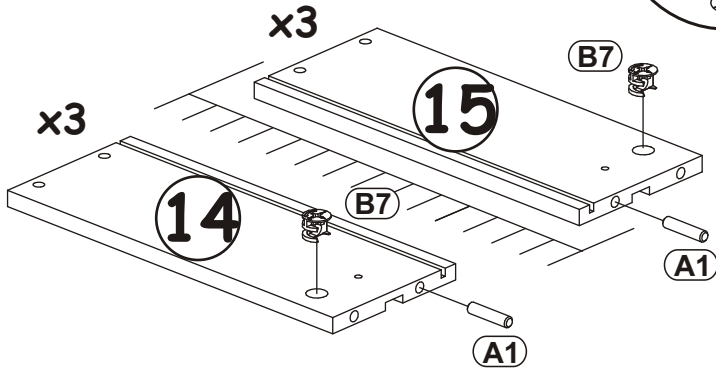
2



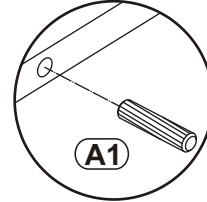
B5	
x4	ø15x12

A6	
x8	ø8x80

3

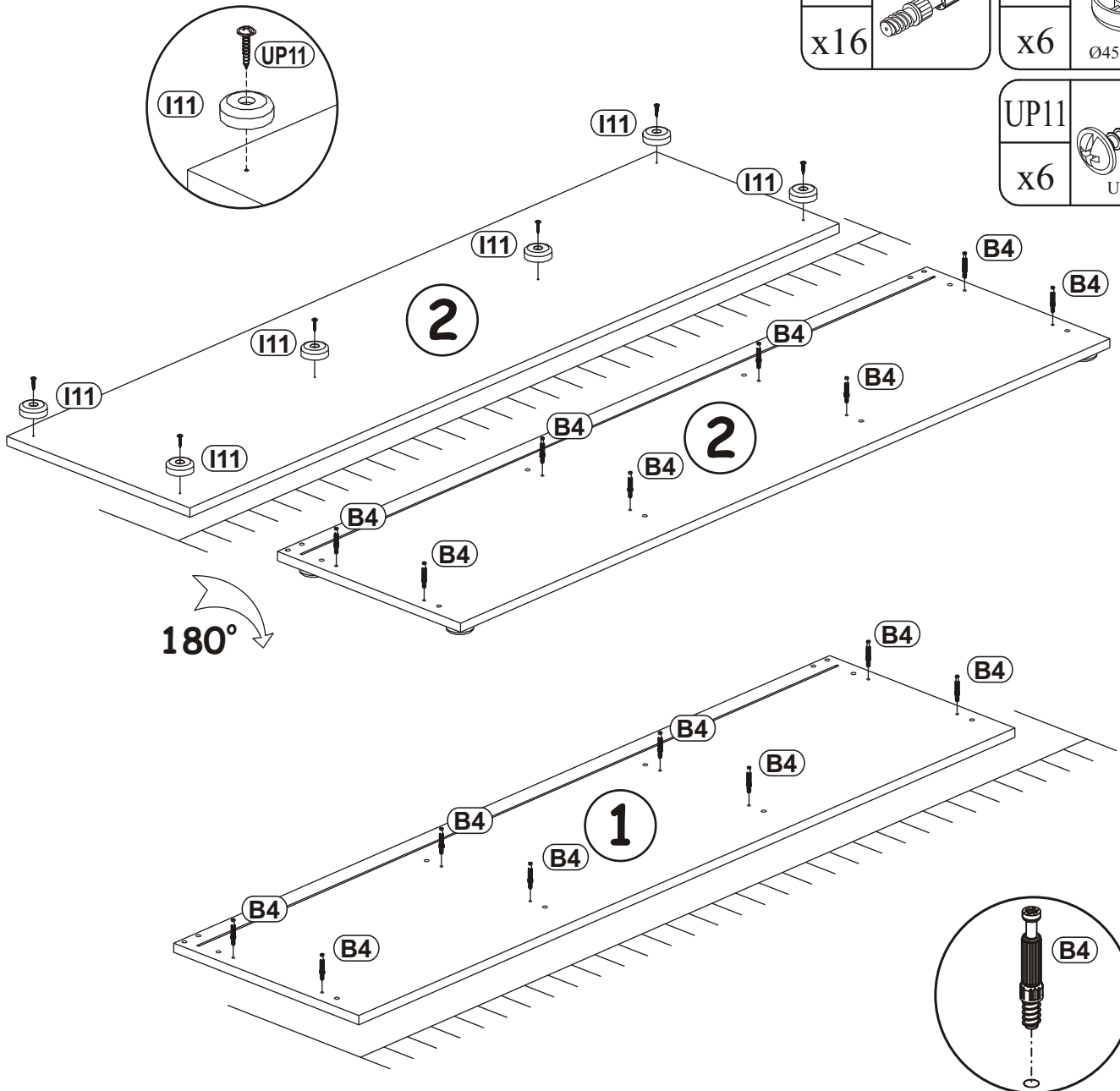


B7		A1	
x6	Ø15x10,3	x6	ø8x36



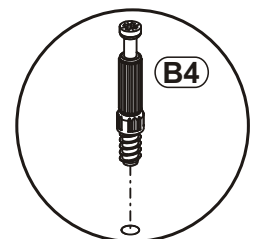
10,3mm		12mm	
	B7		B5

4



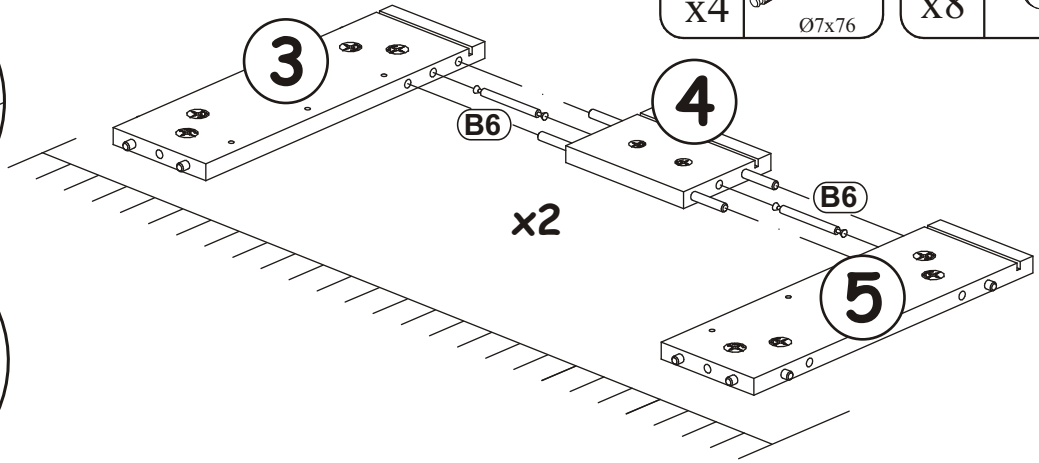
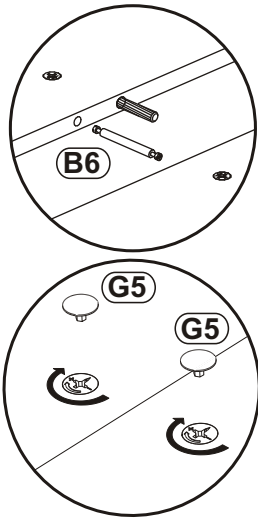
B4		I11	
x16		x6	Ø45, h=15

UP11	
x6	UPØ4x20

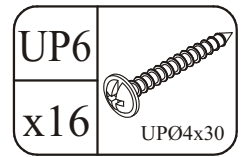


BERLIN 20_BL RTV

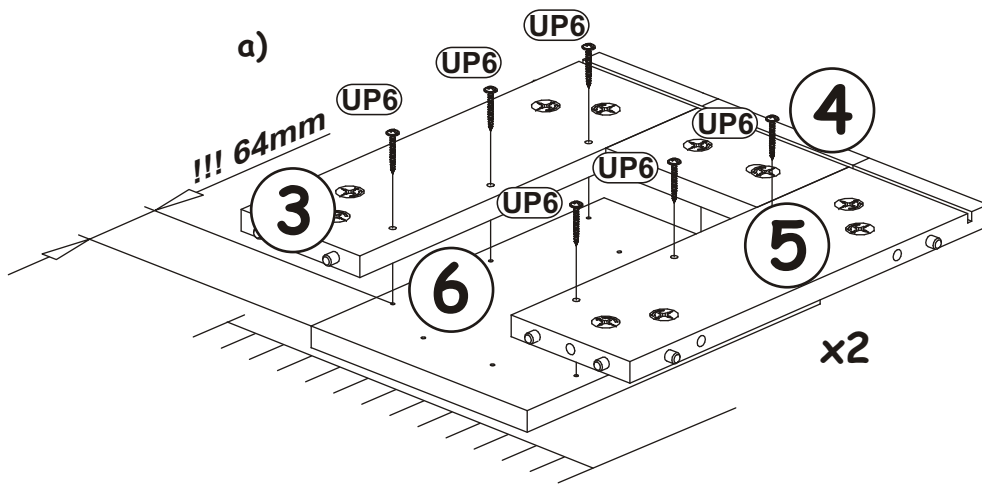
5



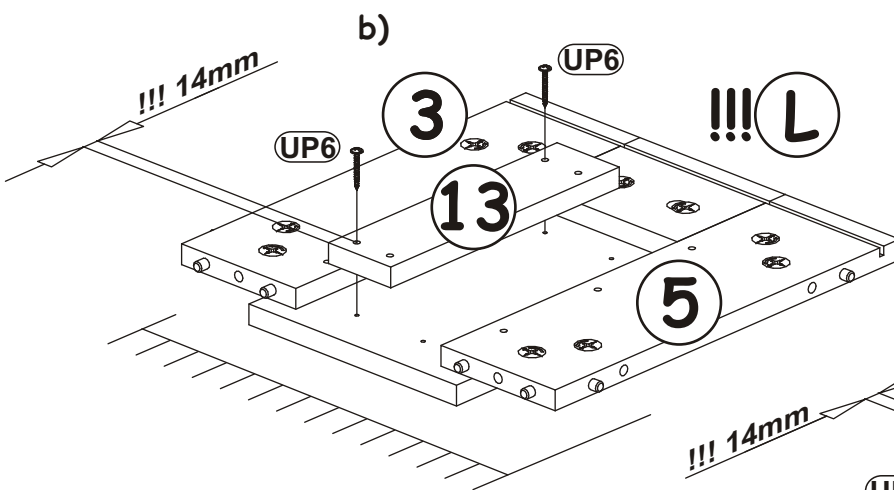
6



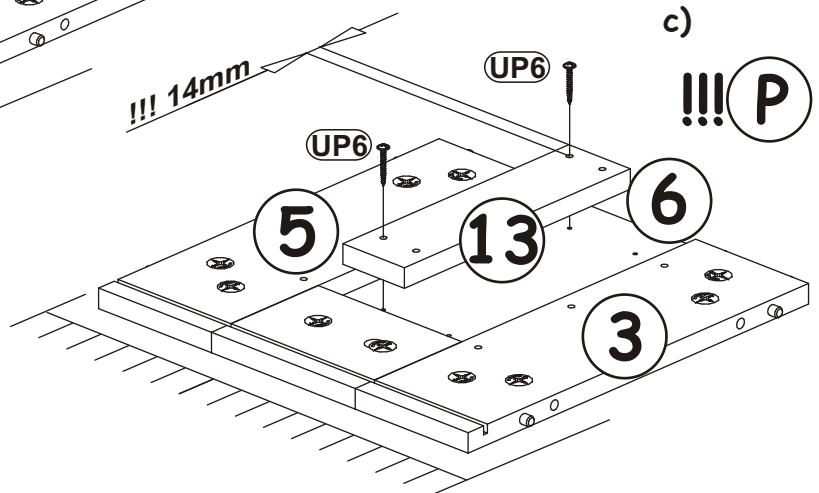
a)



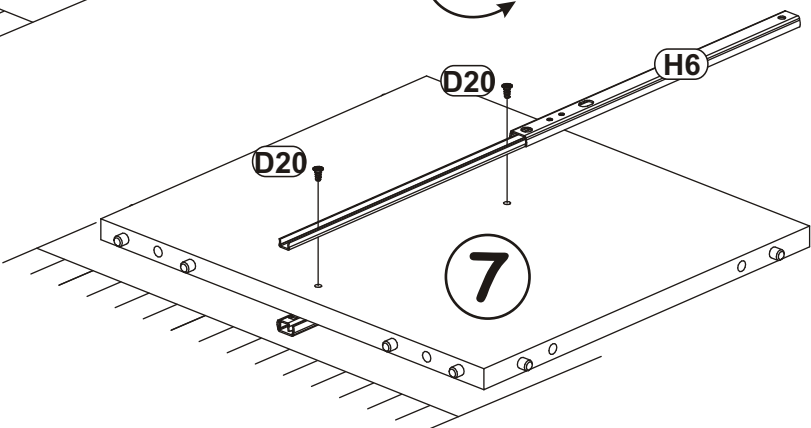
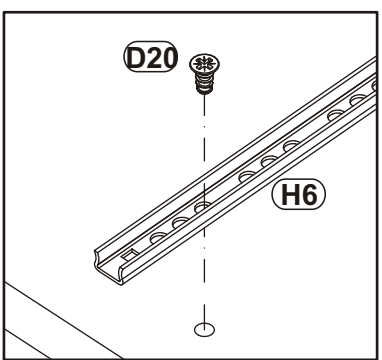
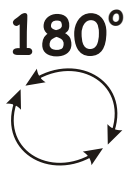
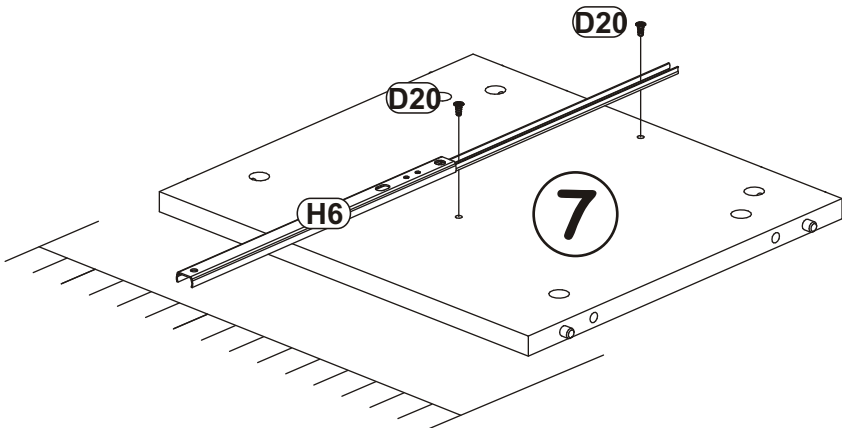
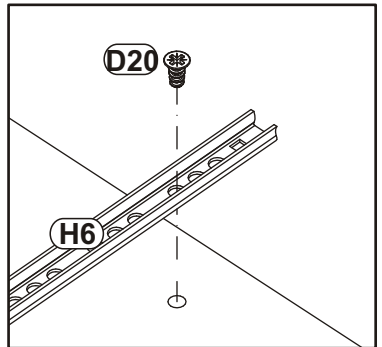
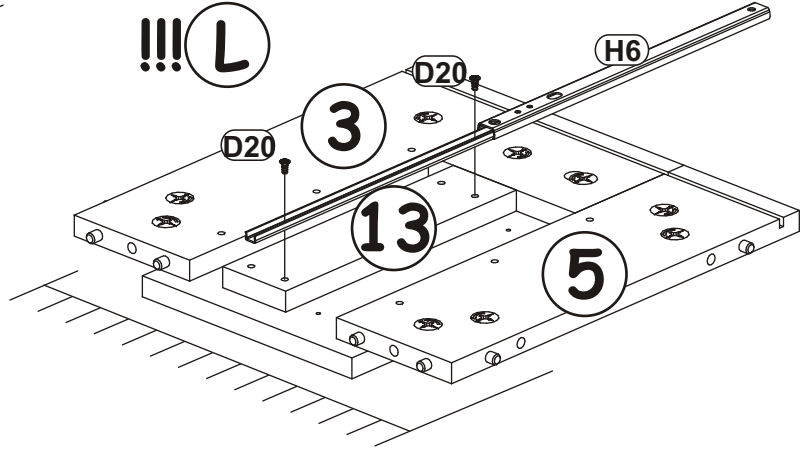
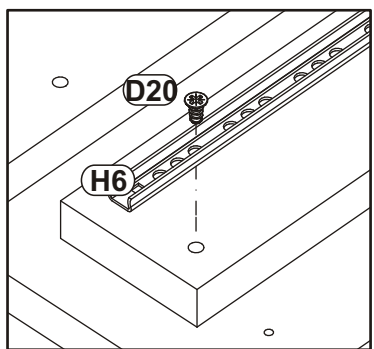
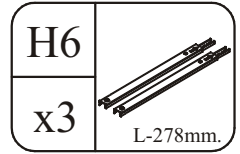
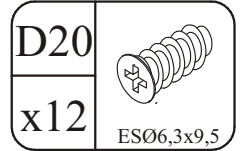
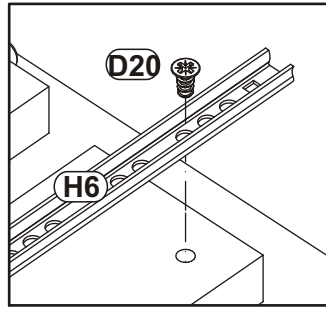
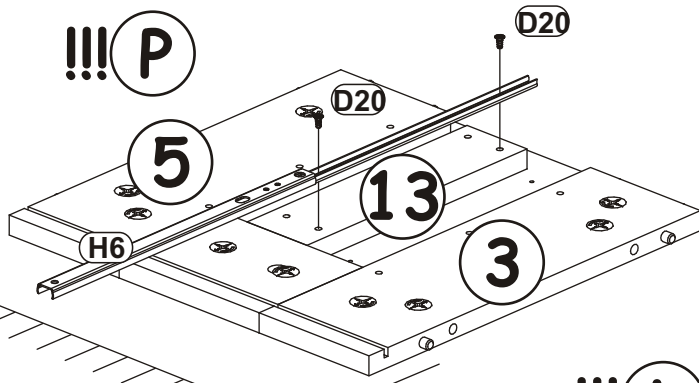
b)



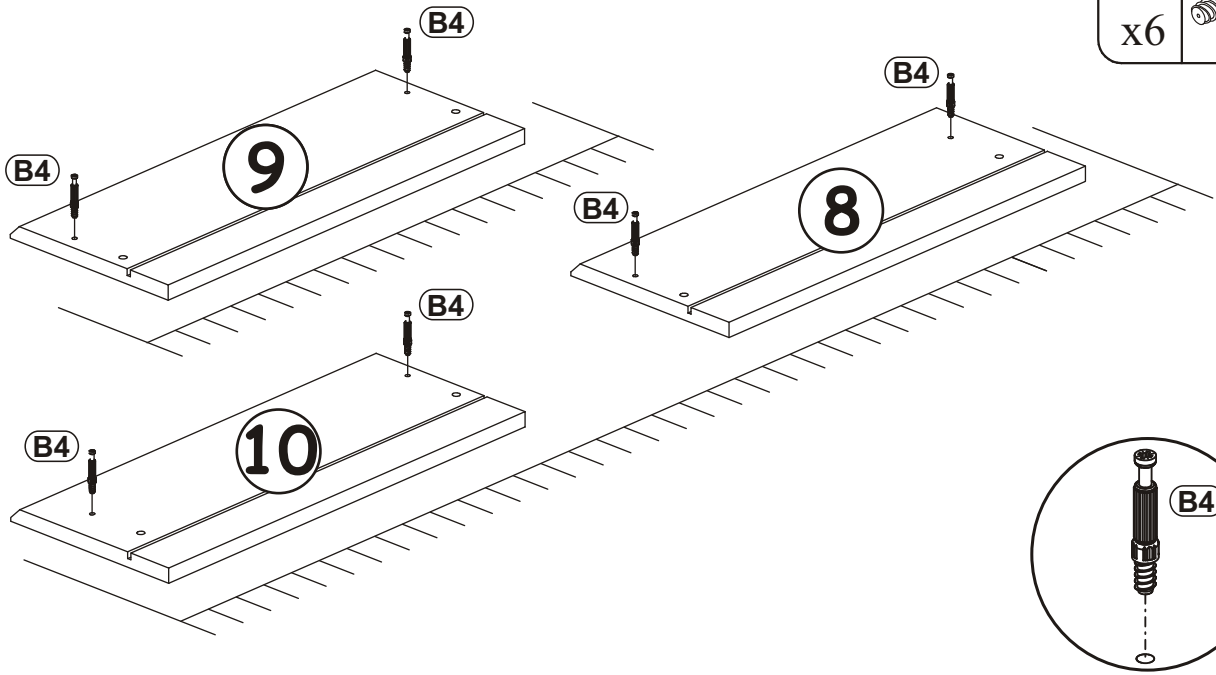
c)

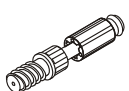


7






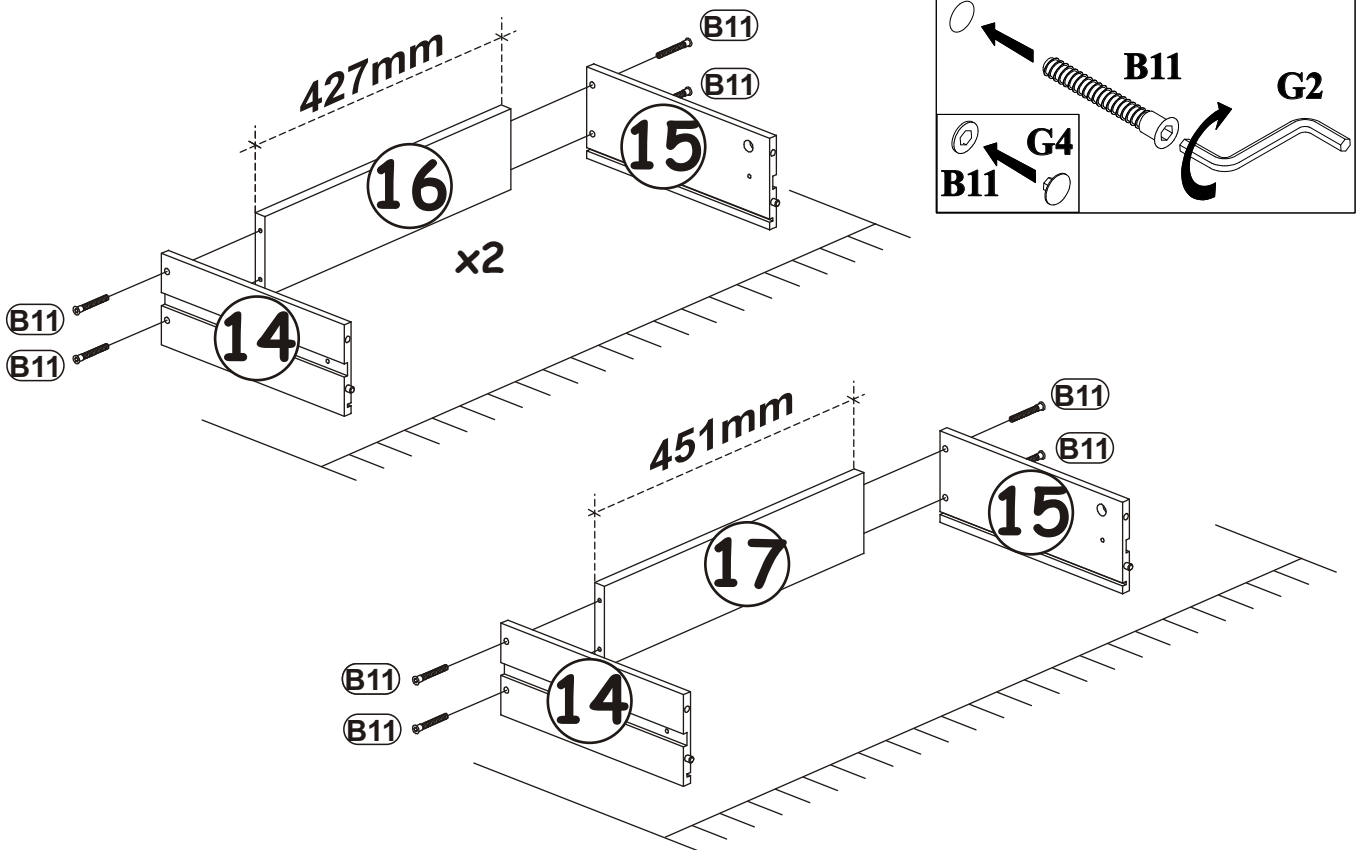
8



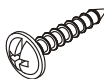
B4	
x6	


9

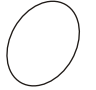
B11		G4		G8	
x12	Ø7x50	x12		x6	Ø20

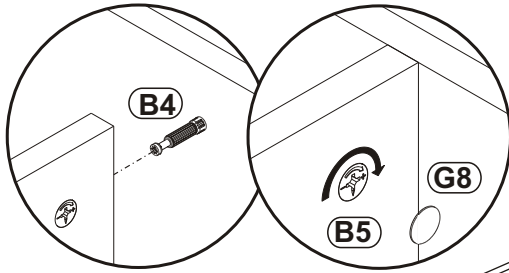
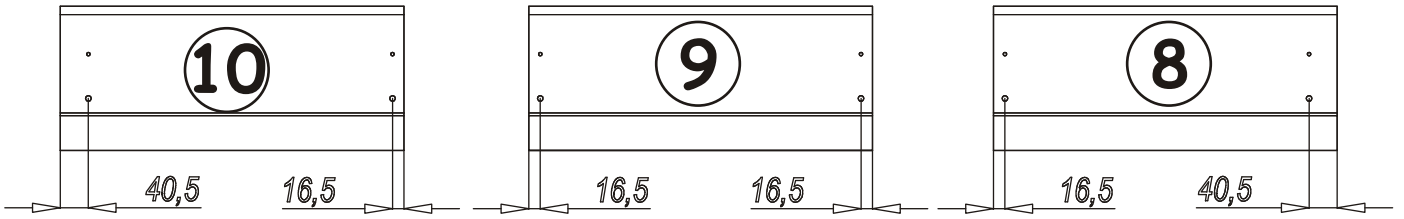


10

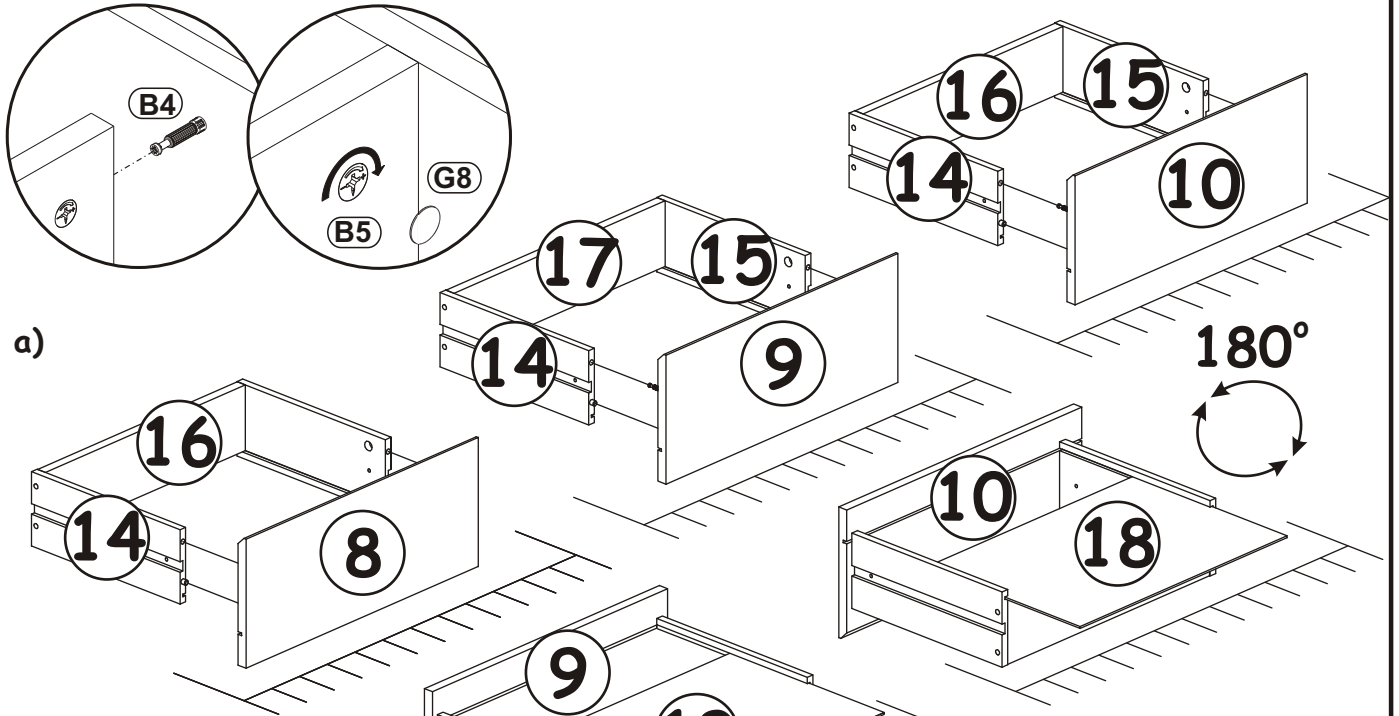
UP13	
x12	UP03x16

S1	
x3	

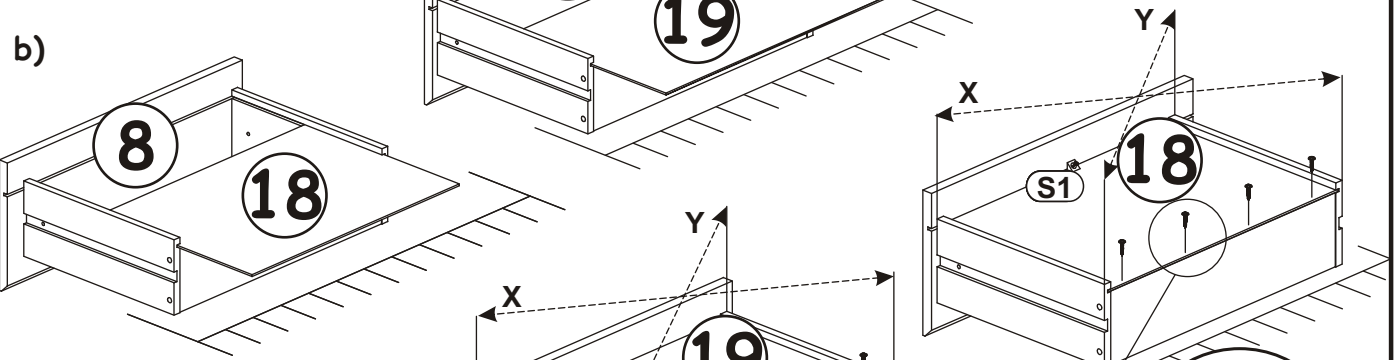
G8	
x6	Ø20



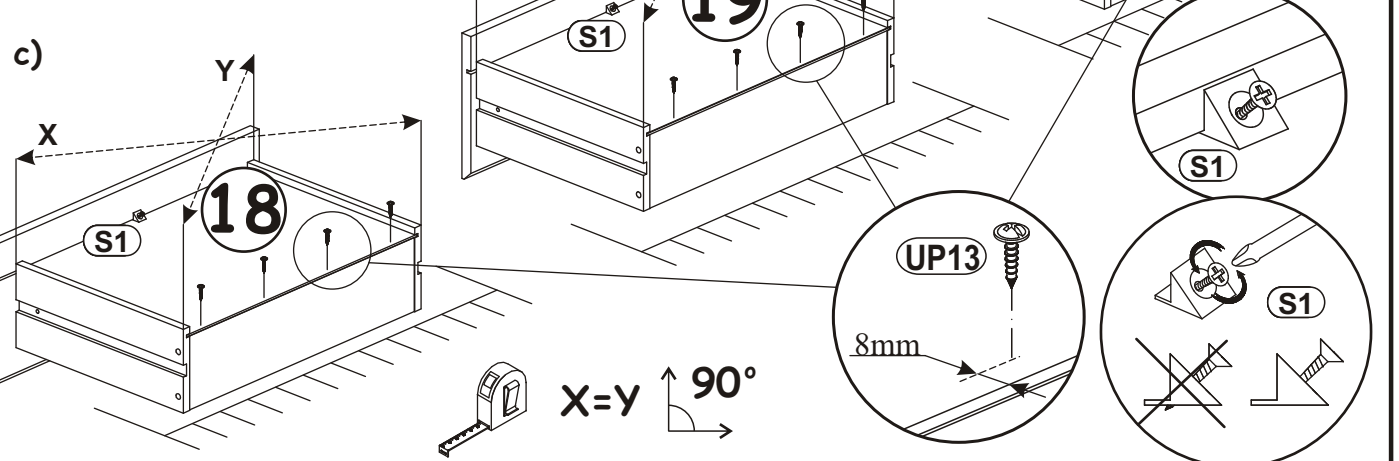
a)

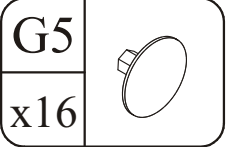


b)



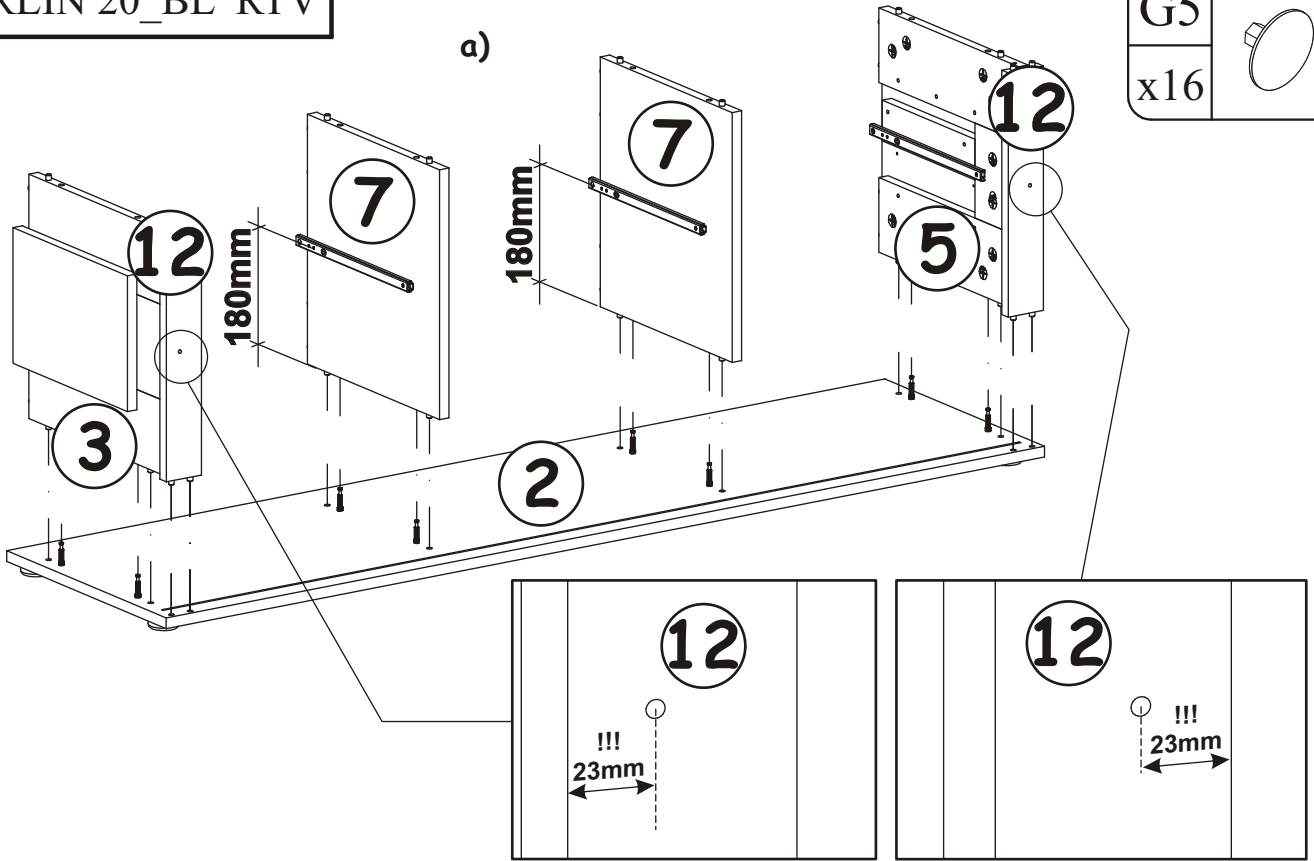
c)



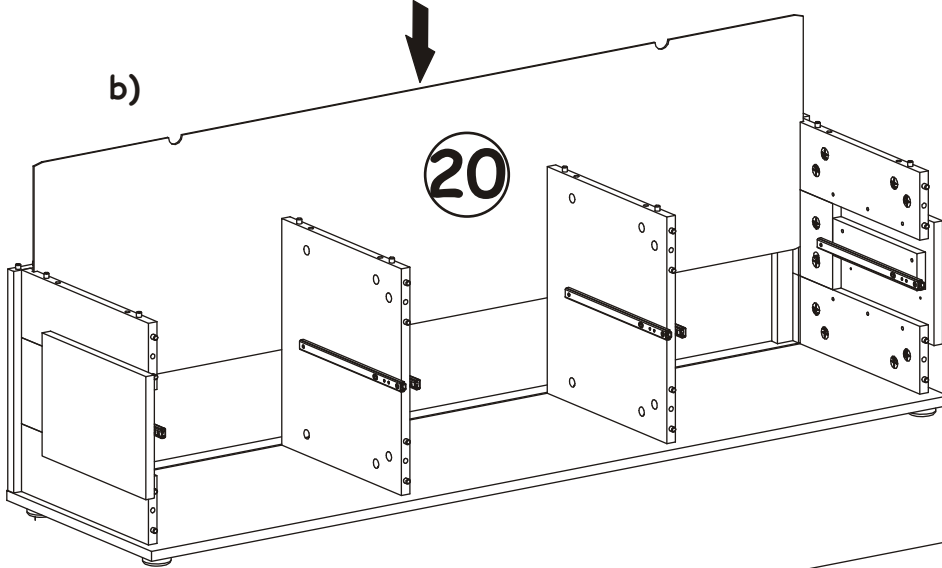


11

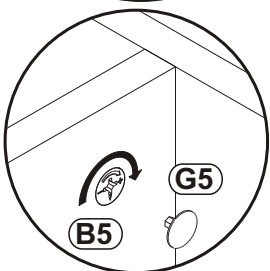
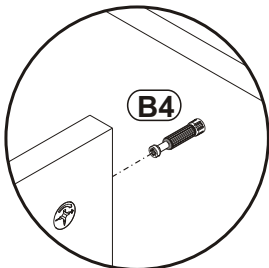
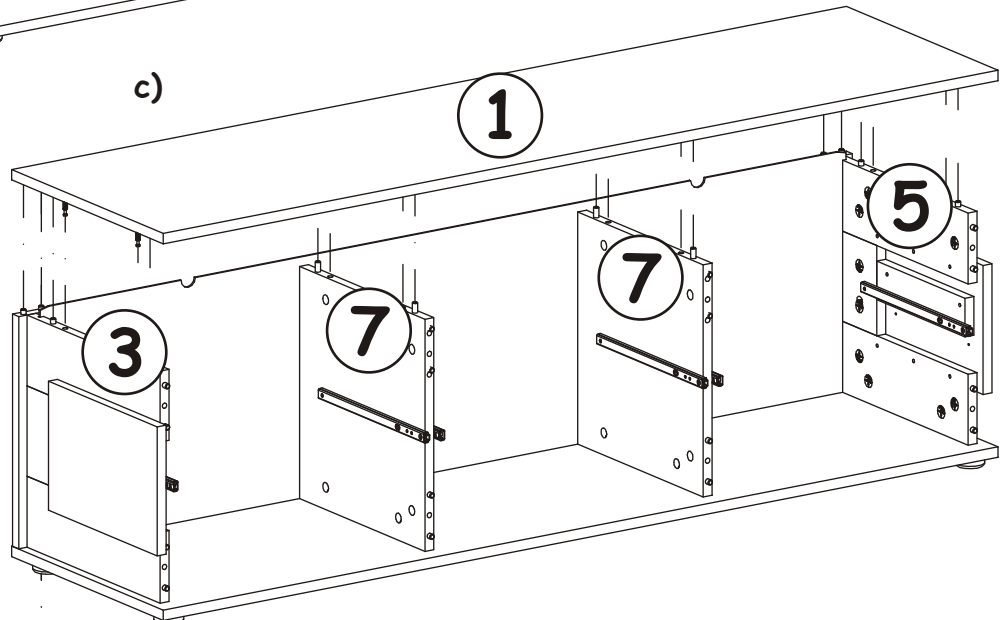
a)



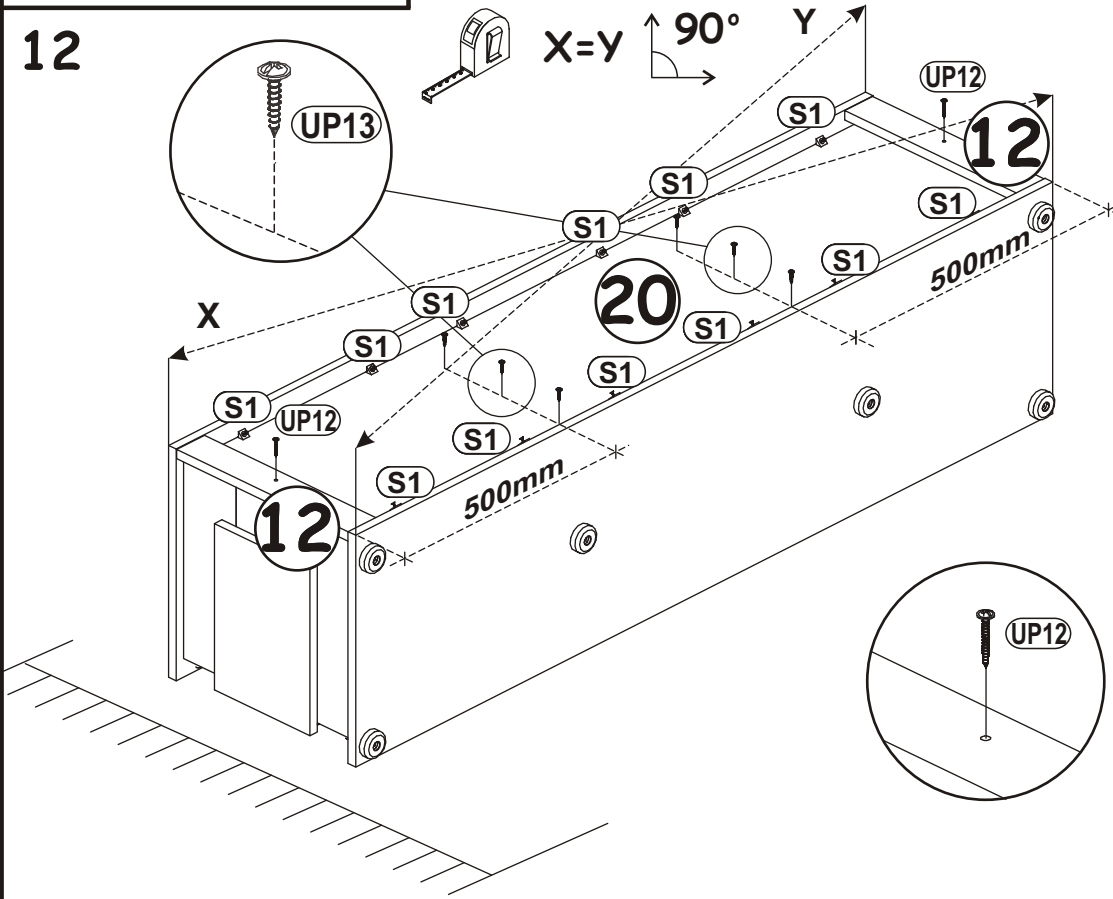
b)



c)



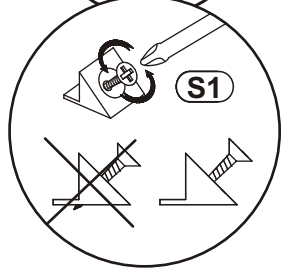
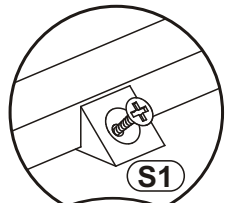
12



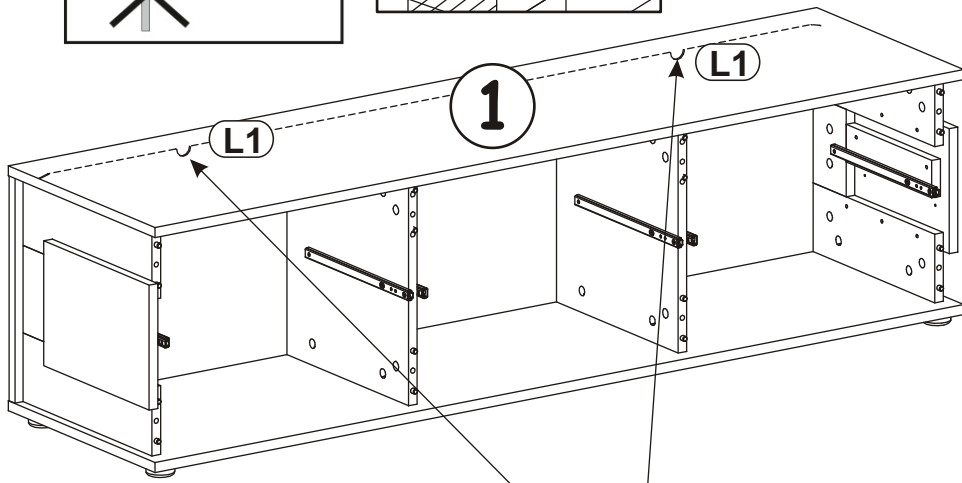
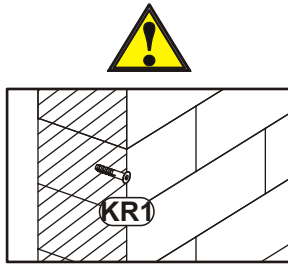
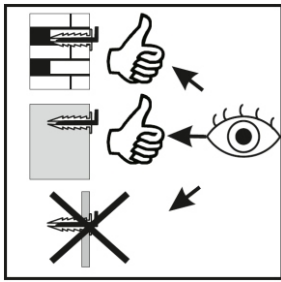
UP13	
x12	UP03x16

S1	
x12	

UP12	
x2	UP03,5x30



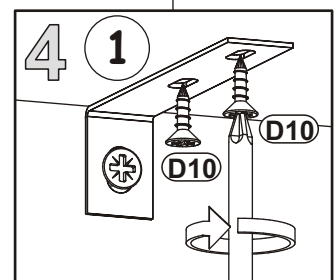
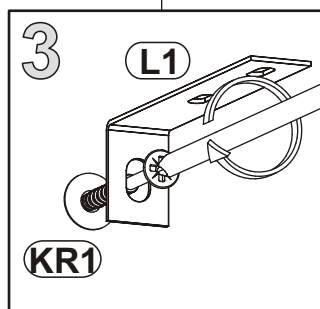
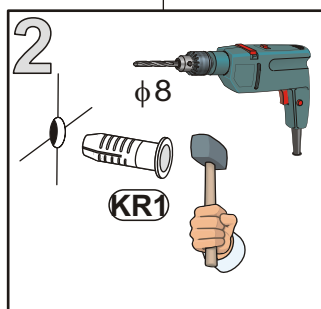
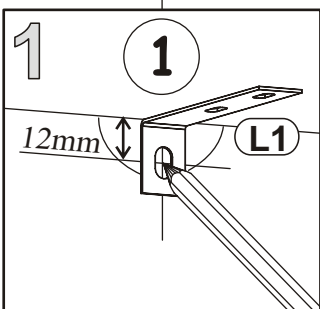
13




L1	
x2	

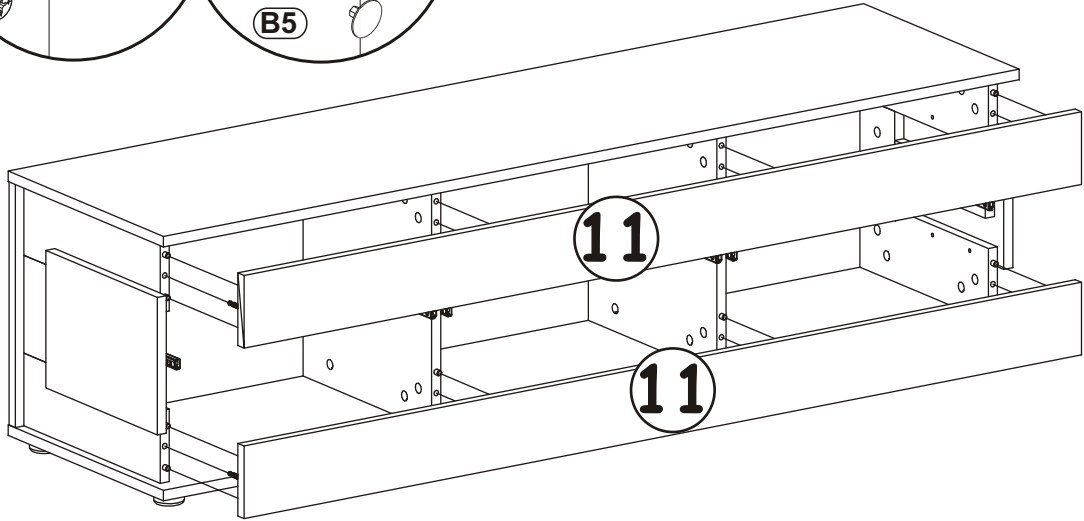
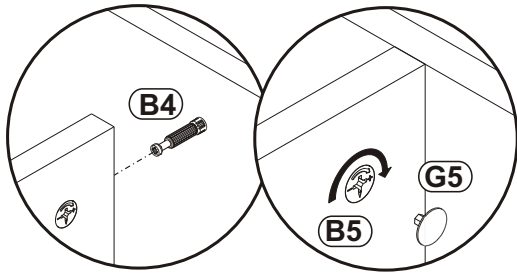
D10	
x4	US03,5x13

KR1	
x2	




G5	
x8	

14



15

D18	 M4x9
x6	

