

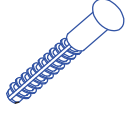

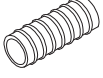
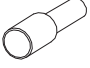
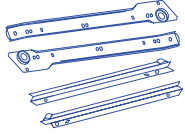


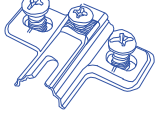
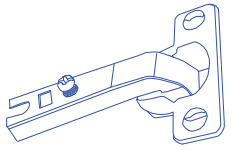

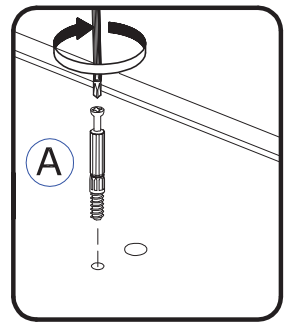
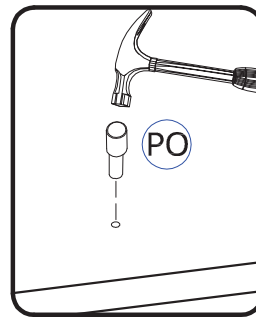
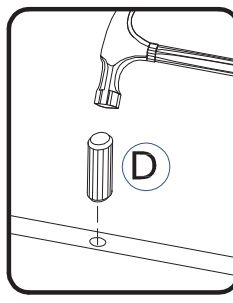
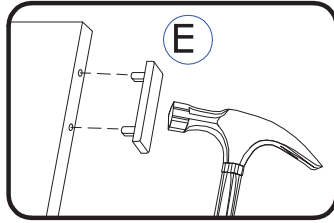
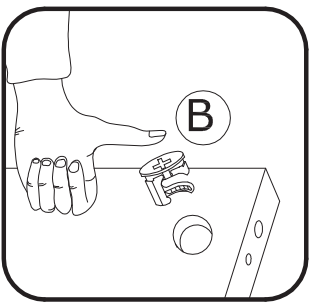
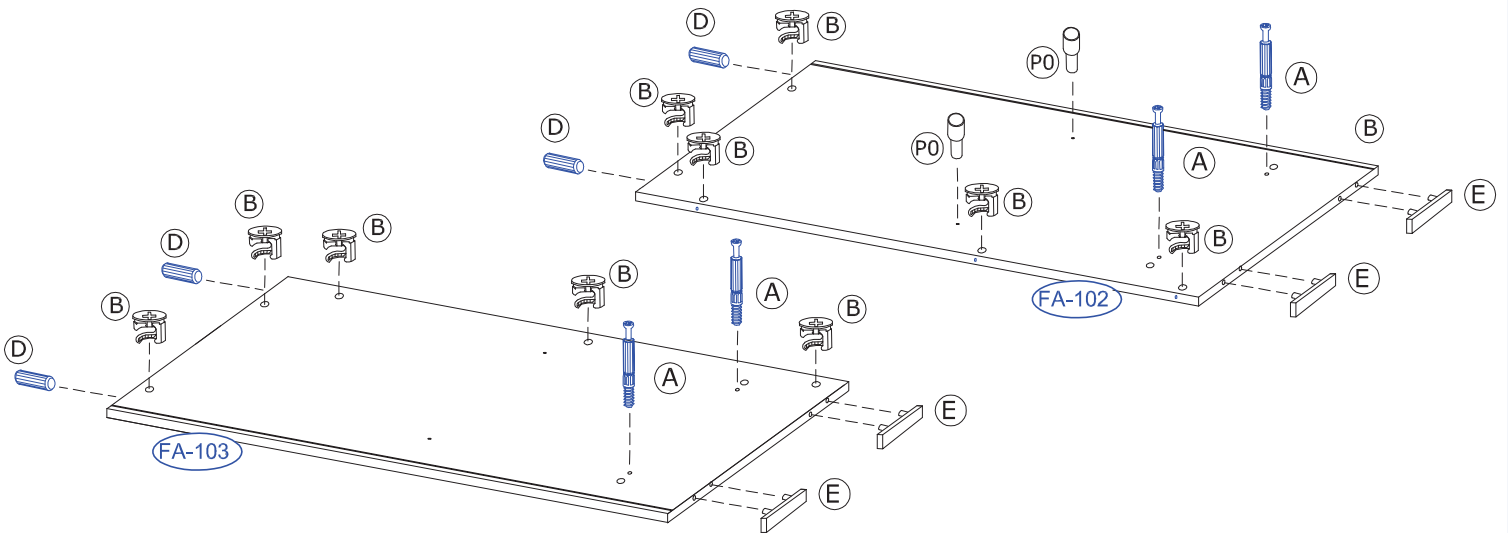
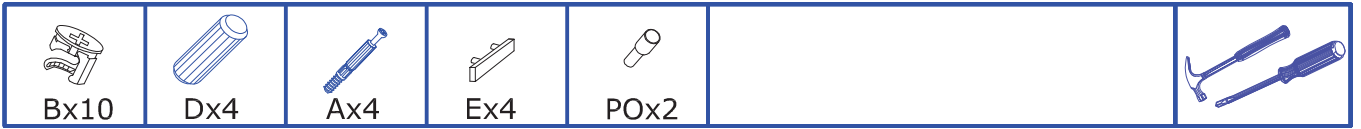
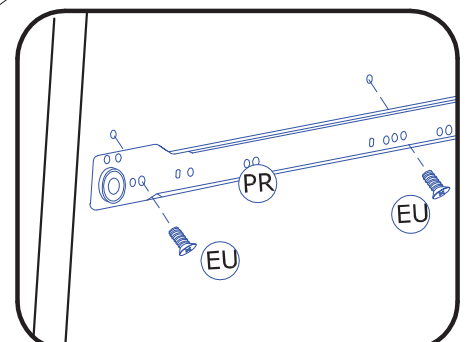
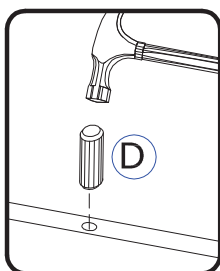
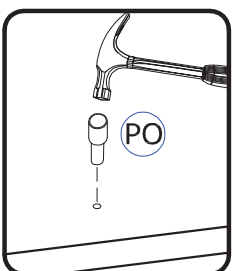
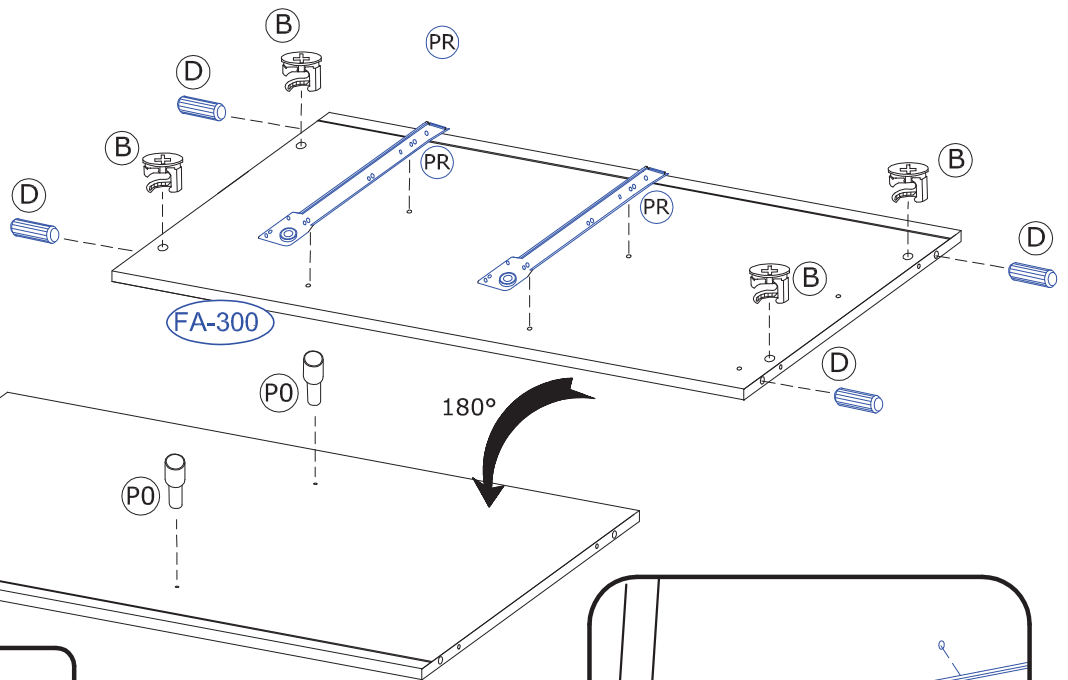
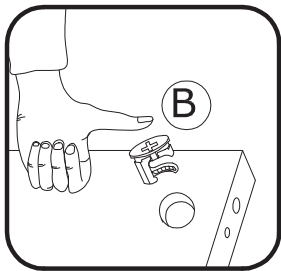

A-20	B-20	C-20	Ø8x30mm D-38	E-8
				
Ø6,0x13mm EU-12	Ø3,5x16mm H-16	H1-12	KL	MU-8
				
PO-4	PR-3KPL	Ø4,0x40mm Q-8	ST-14	X-2
				
Y-2	Z-8			

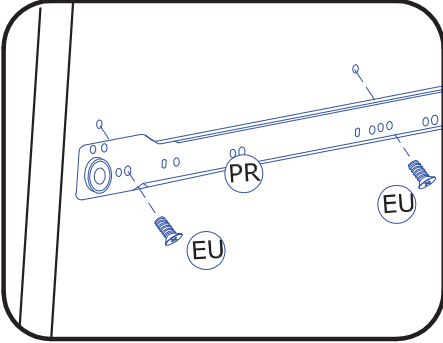
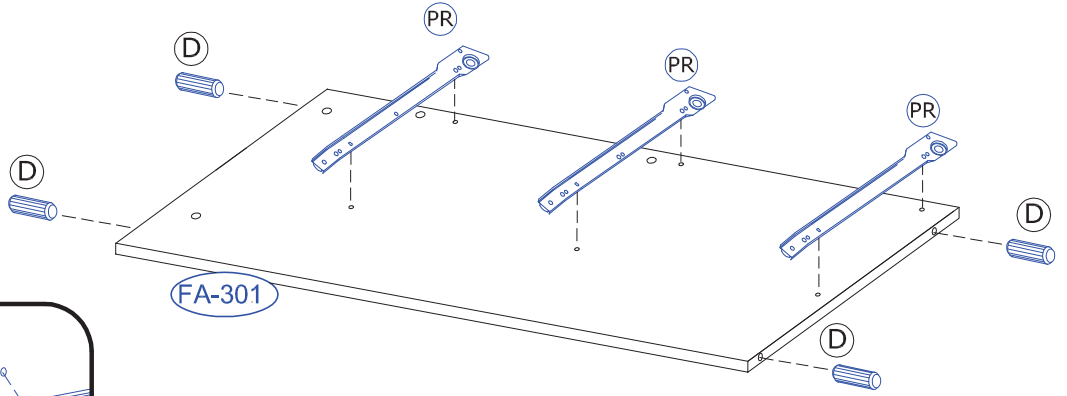
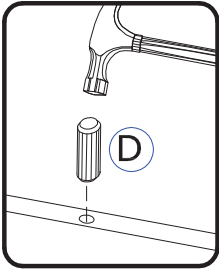
1.



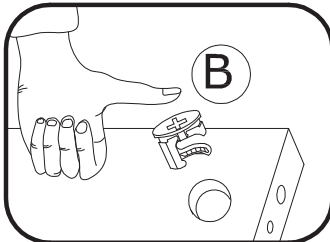
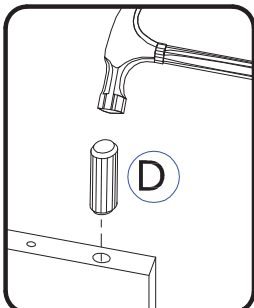
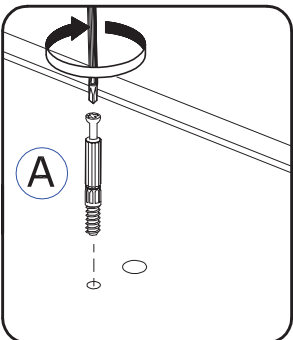
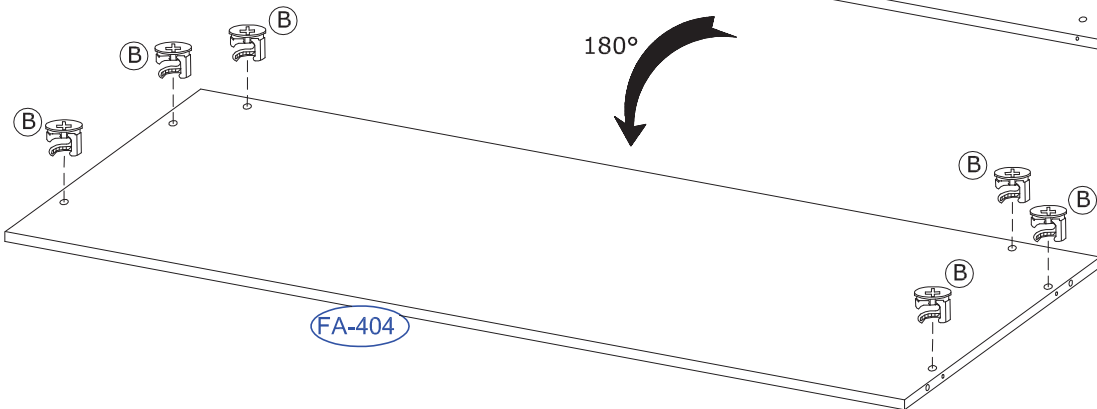
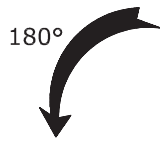
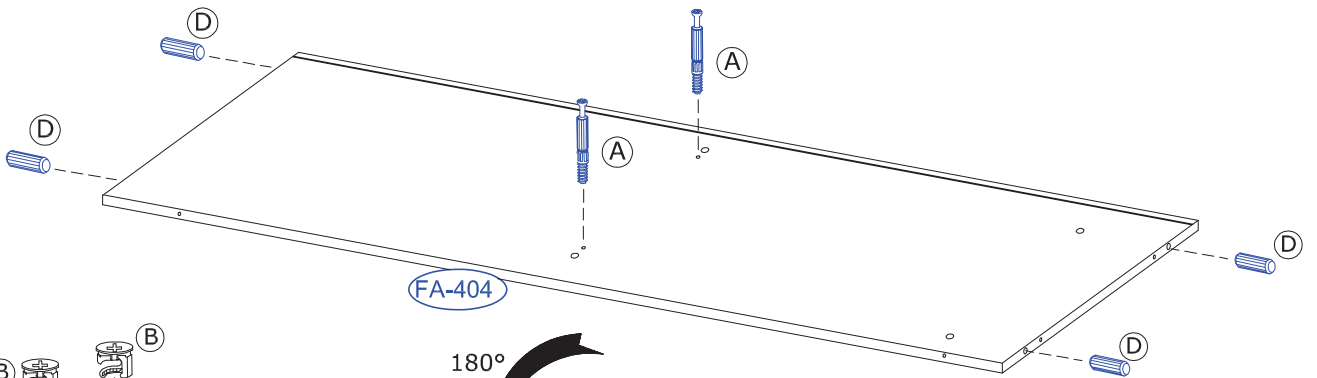
2.



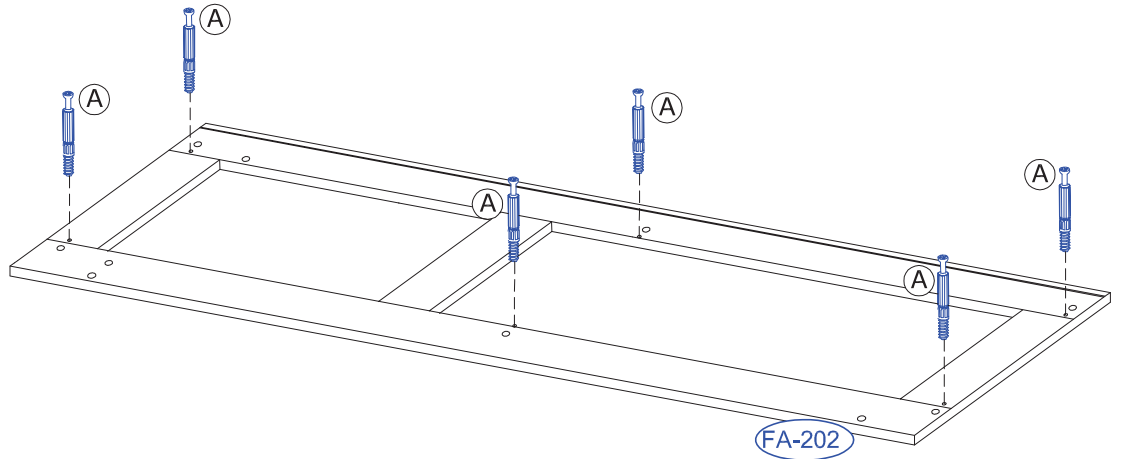
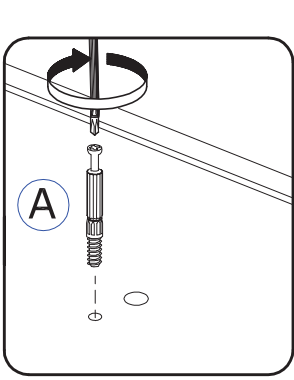
3.



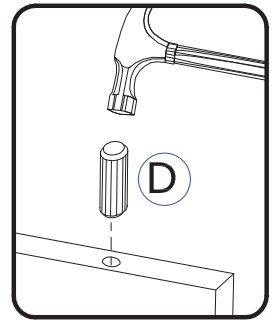
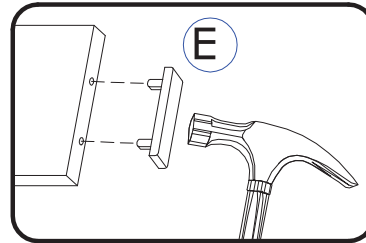
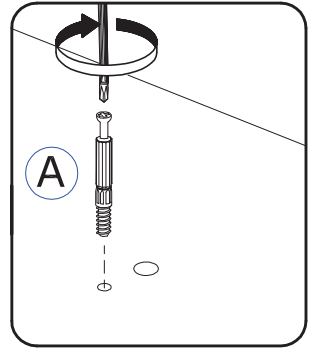
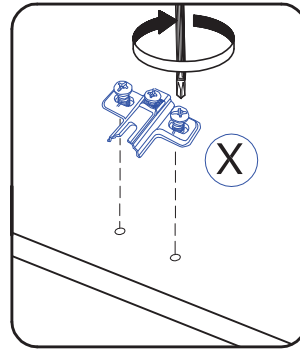
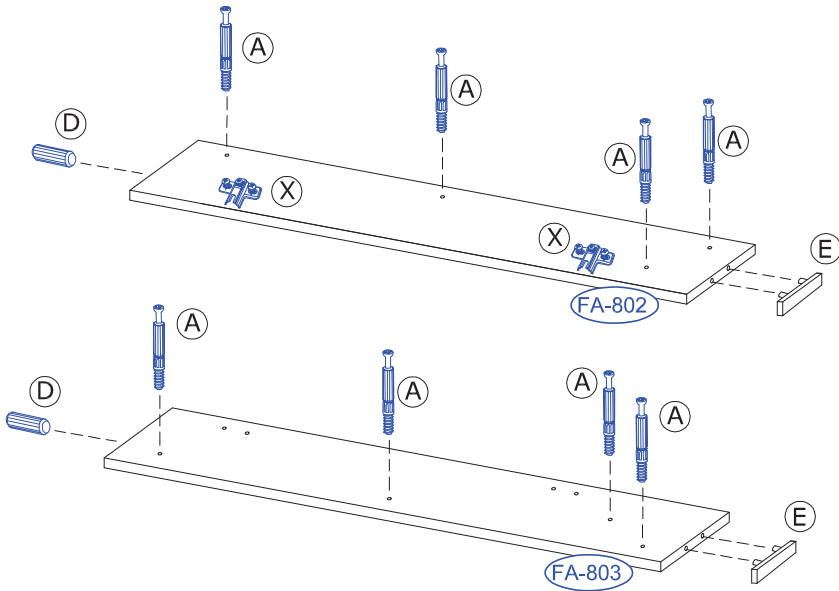
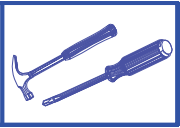
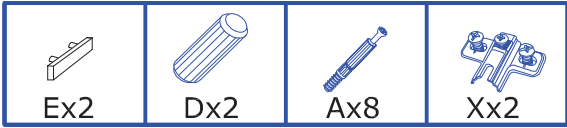
4.



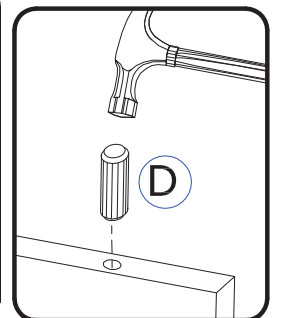
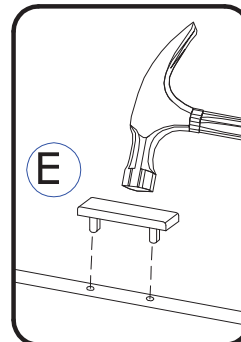
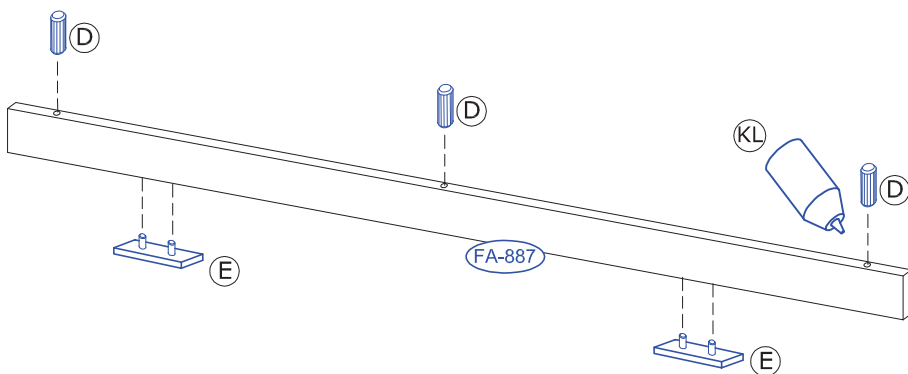
5.



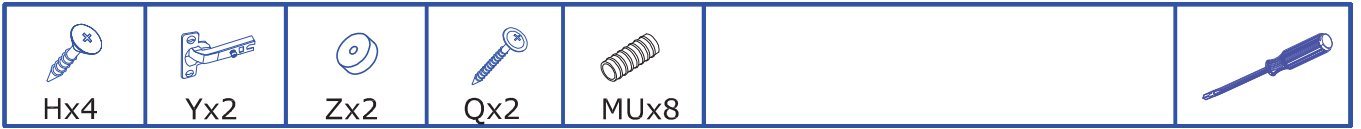
6.



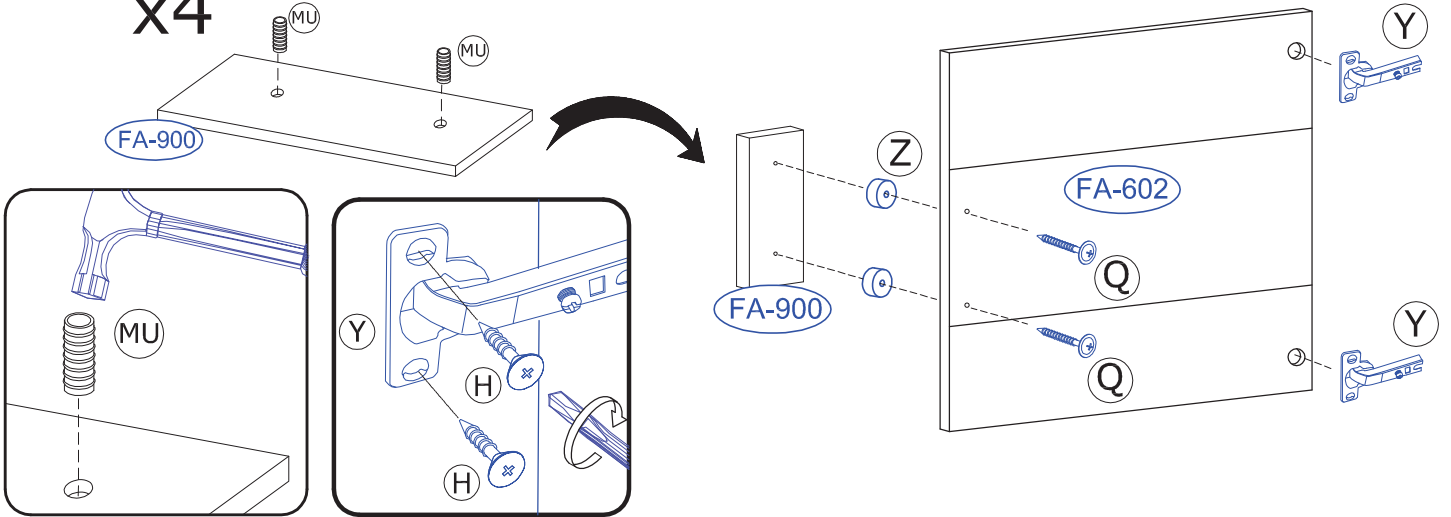
7.



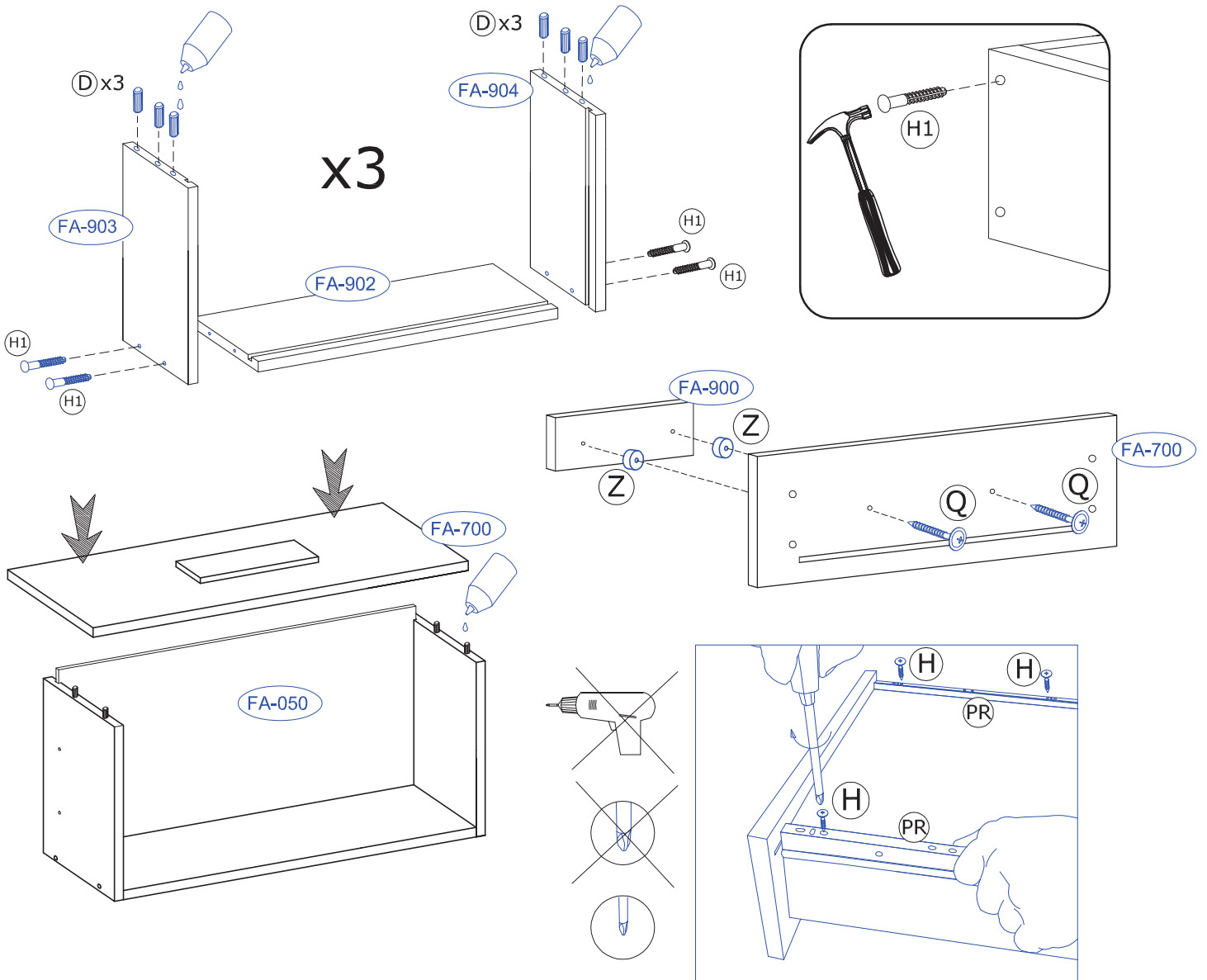
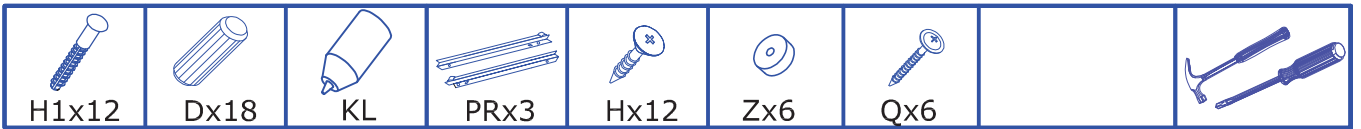
8.



x4



9.



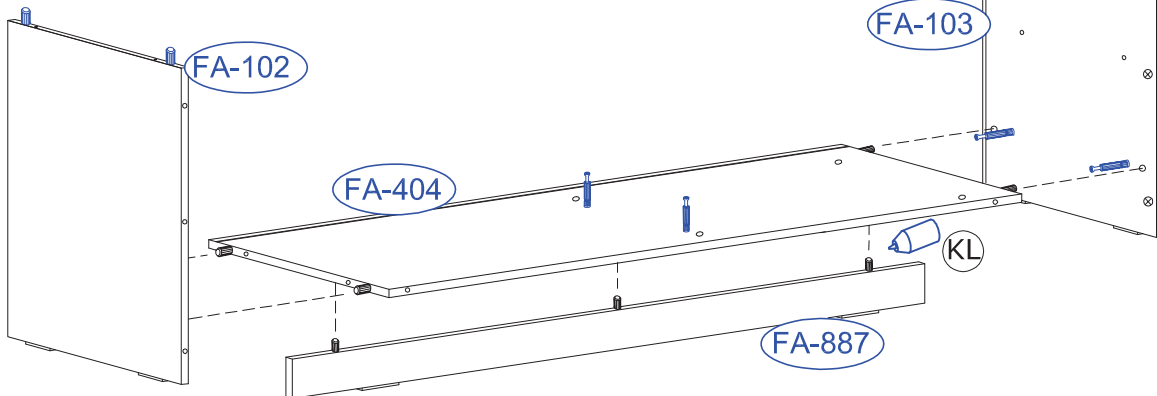
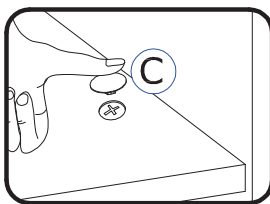
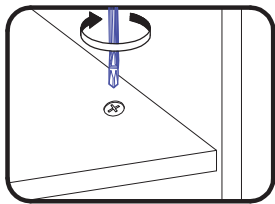
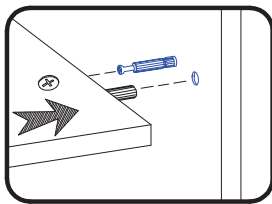
10.



Cx4



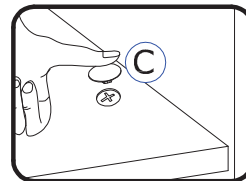
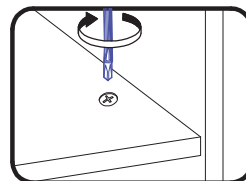
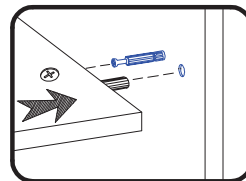
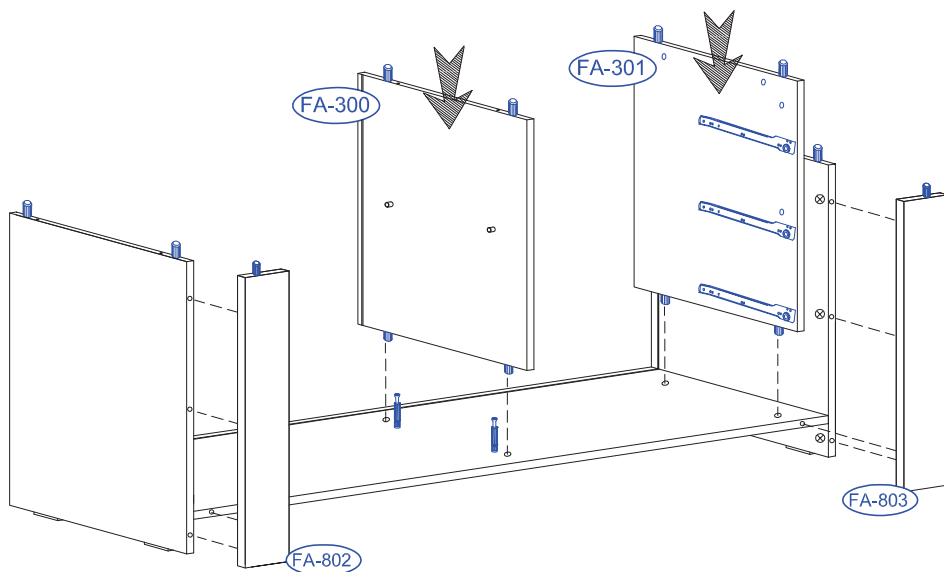
KL



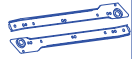
11.



Cx10



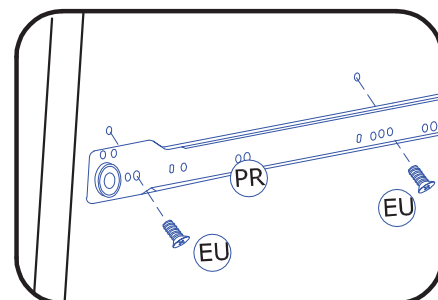
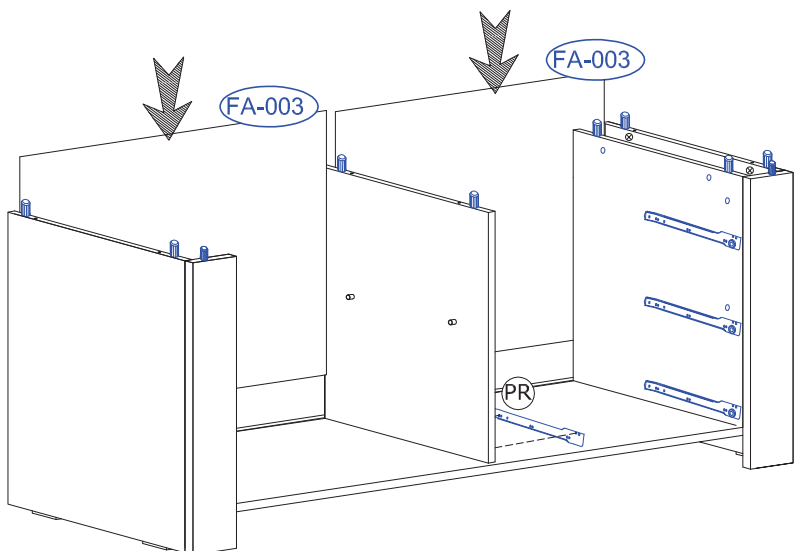
12.



PRx1



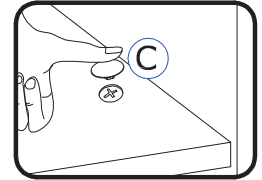
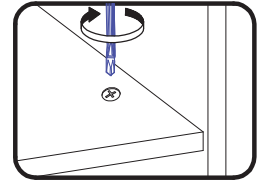
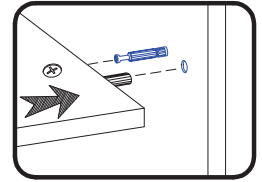
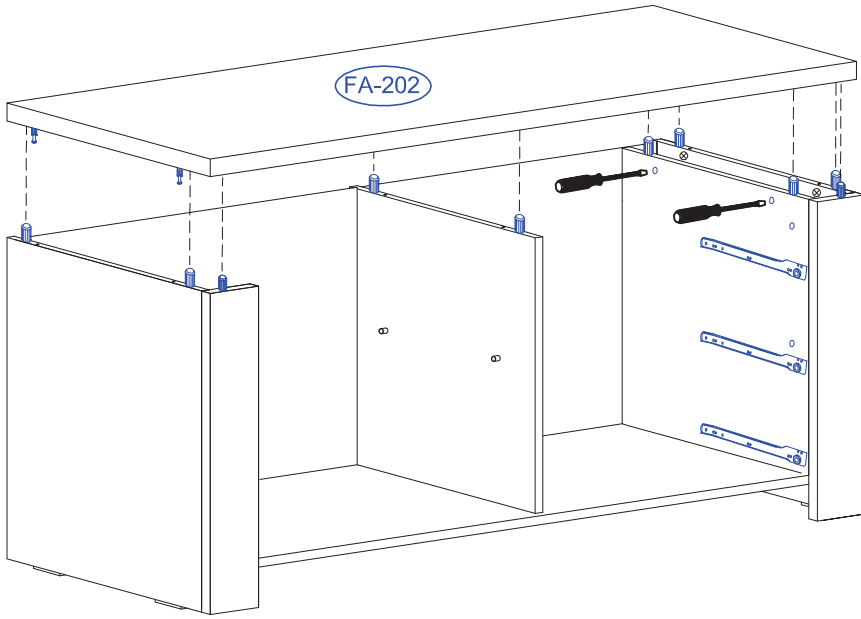
EUx2



13.



Cx6



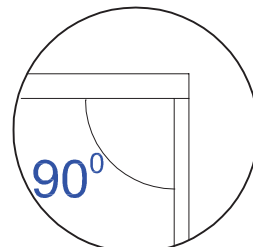
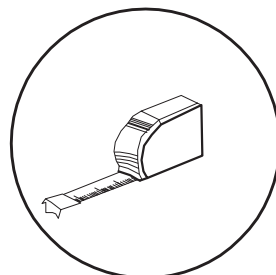
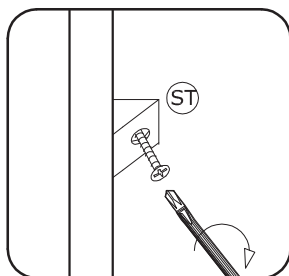
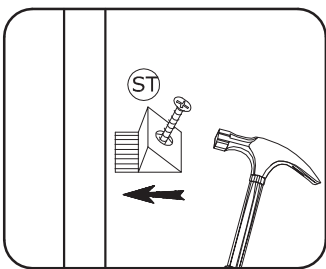
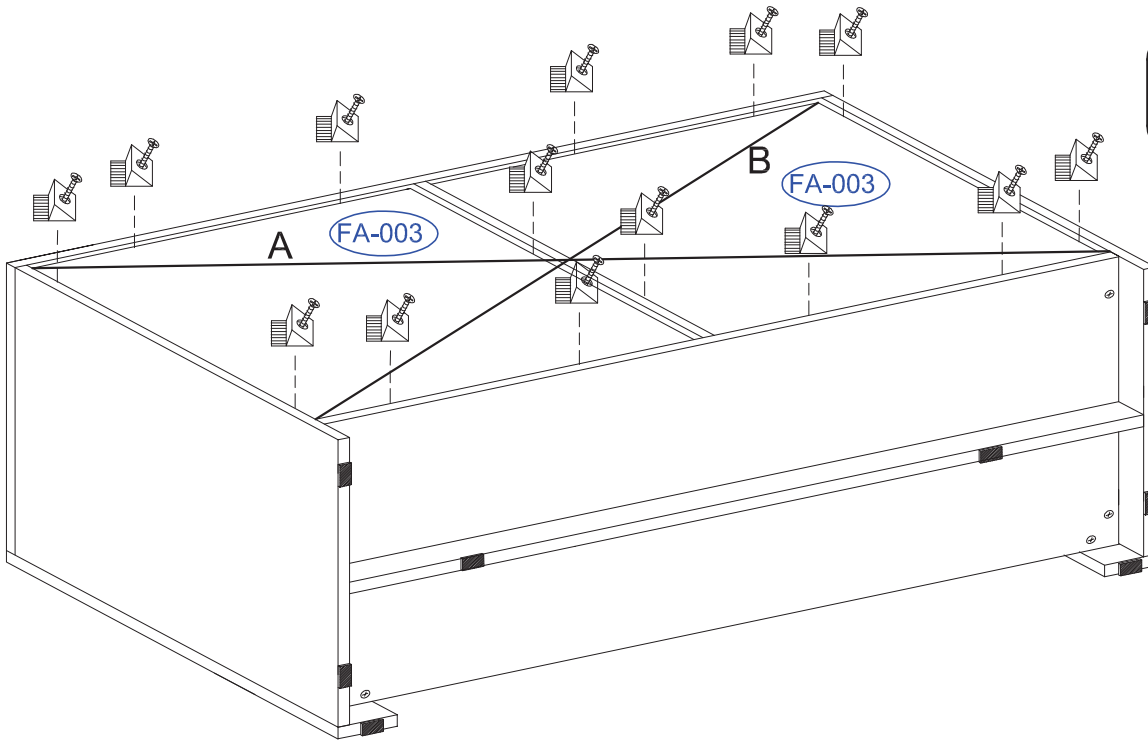
14.



STx14



ST x14



15.

