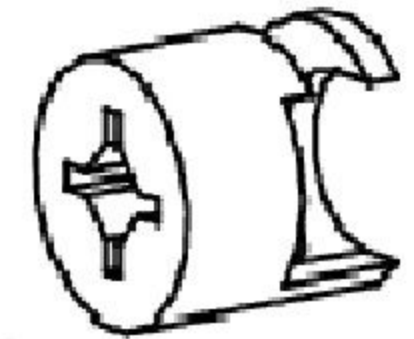
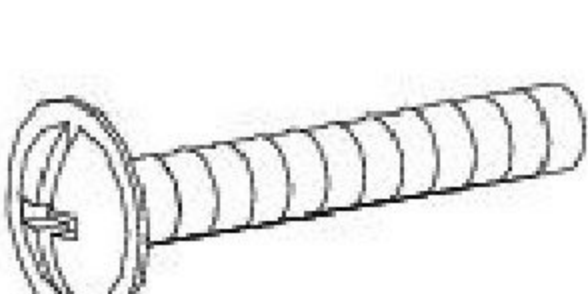
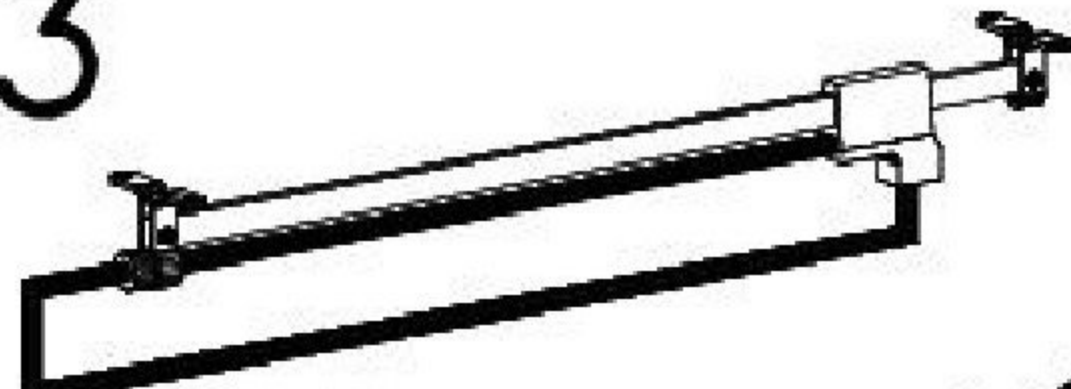
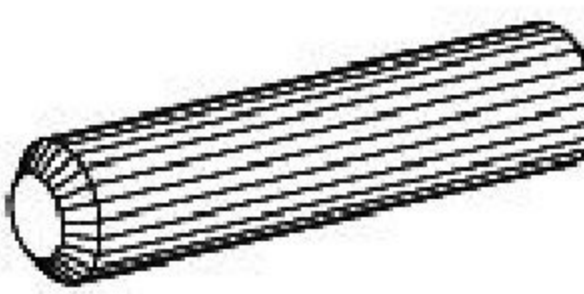
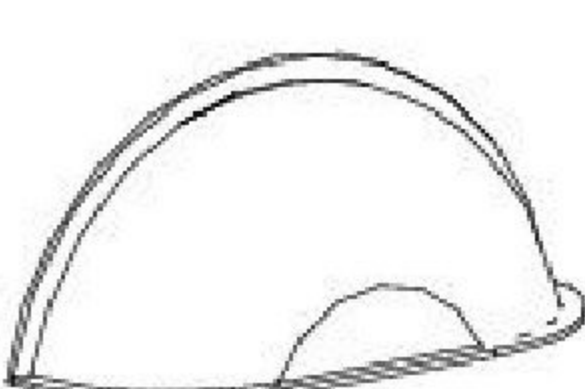
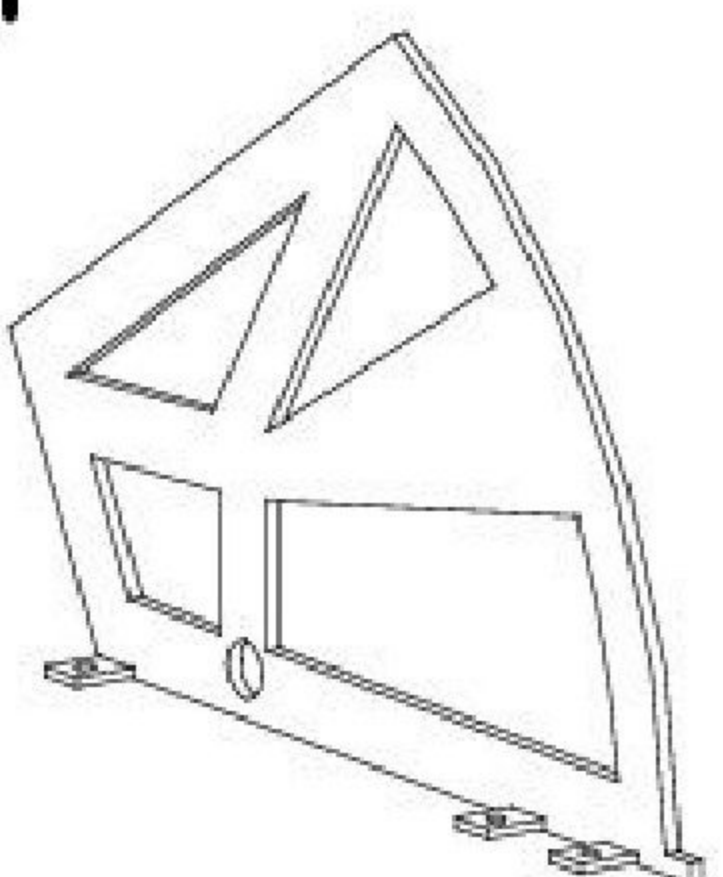
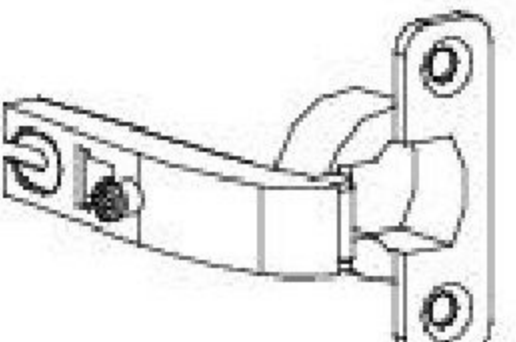
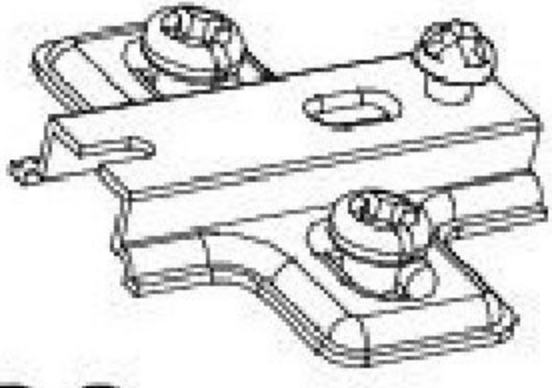

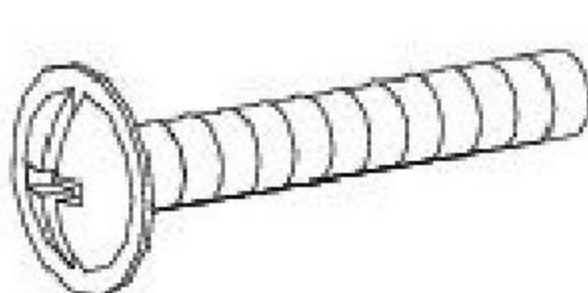
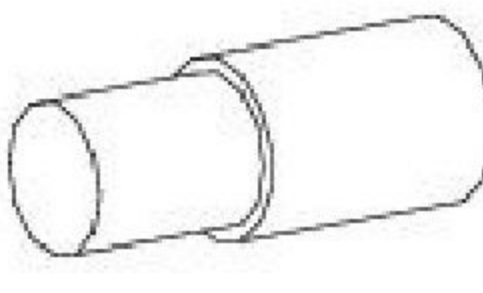


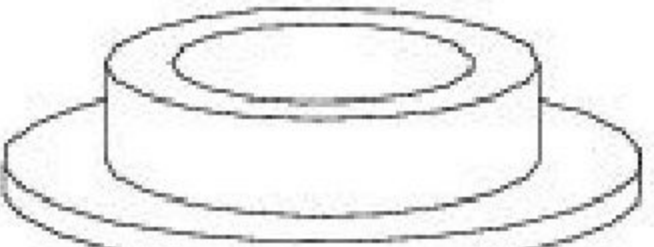



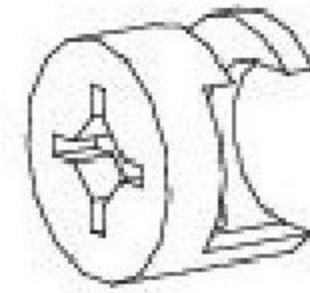
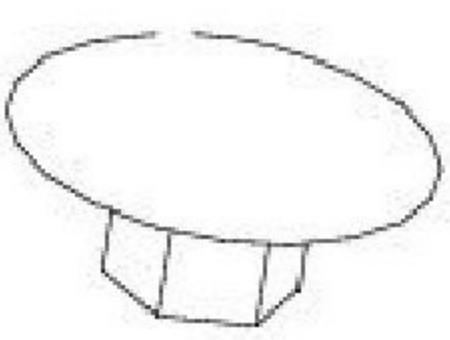
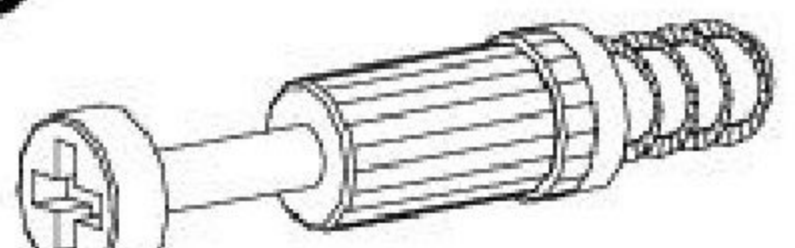
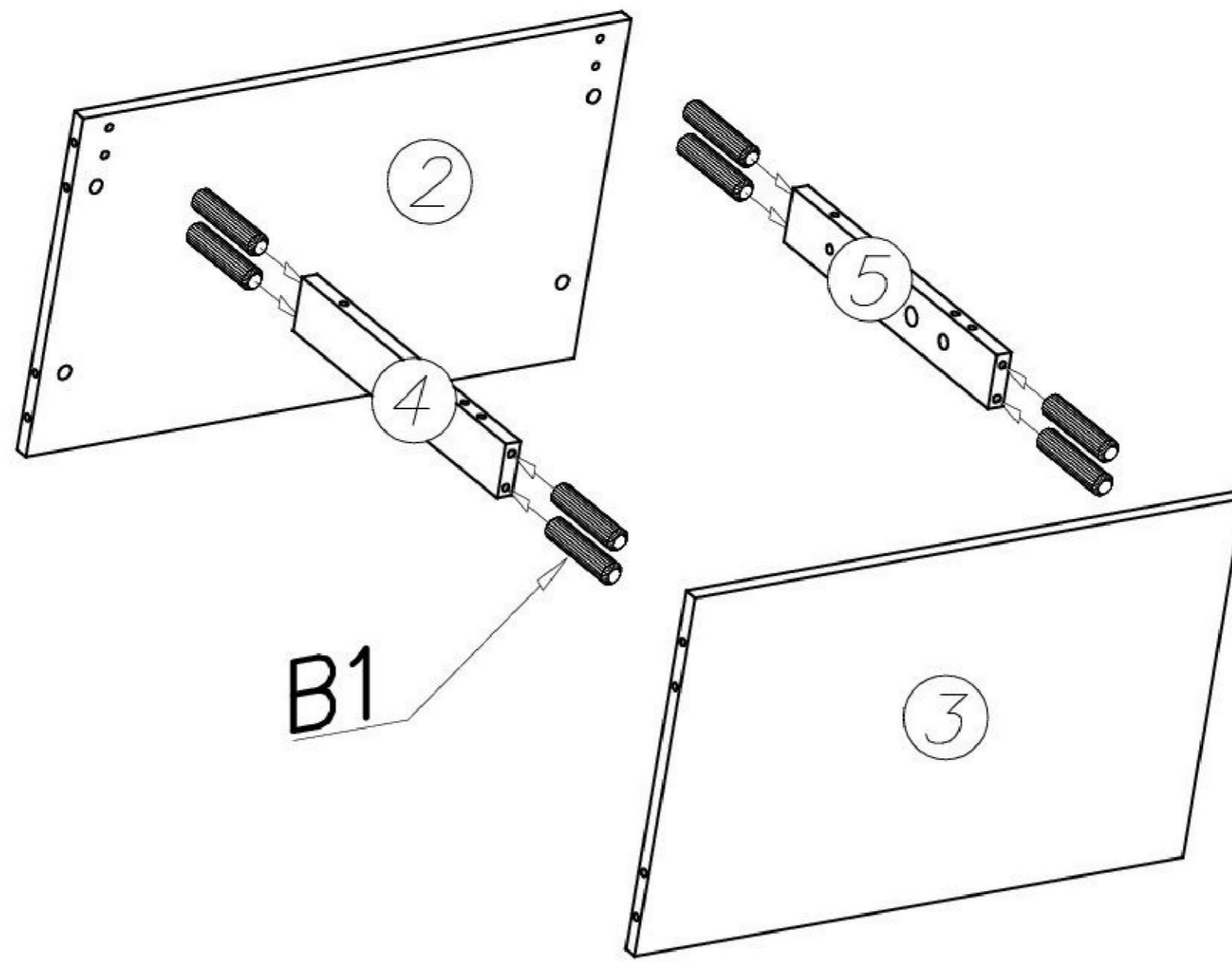
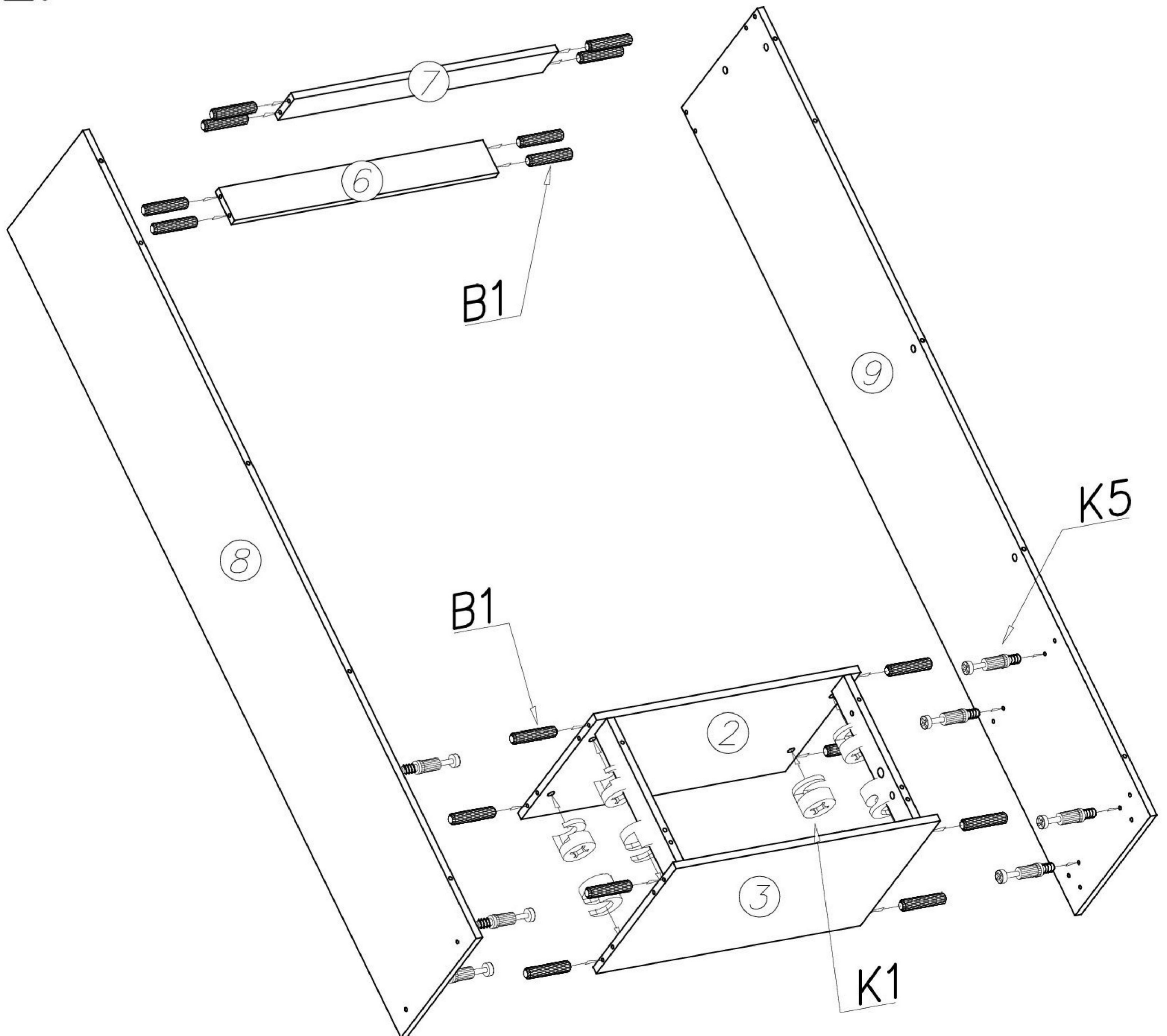
	x3		ø15x16	x2								
N13 	M4x20	x2	R3 	x1	B1 	ø8x35	x38	E6 	x1	O1 		
C5 	Z35R0	x3	D5 	PZ35R0	x3	G4 	4x16	x18	N13 		M4x30	x1
O11 	x2	G21 	3x16	x60	O3 	x2	O4 	x2	E7 	x1		
G3 	4x30	x4	P4 	x4	K1 	ø15x12	x16	I7 	x16	K5 	x18	

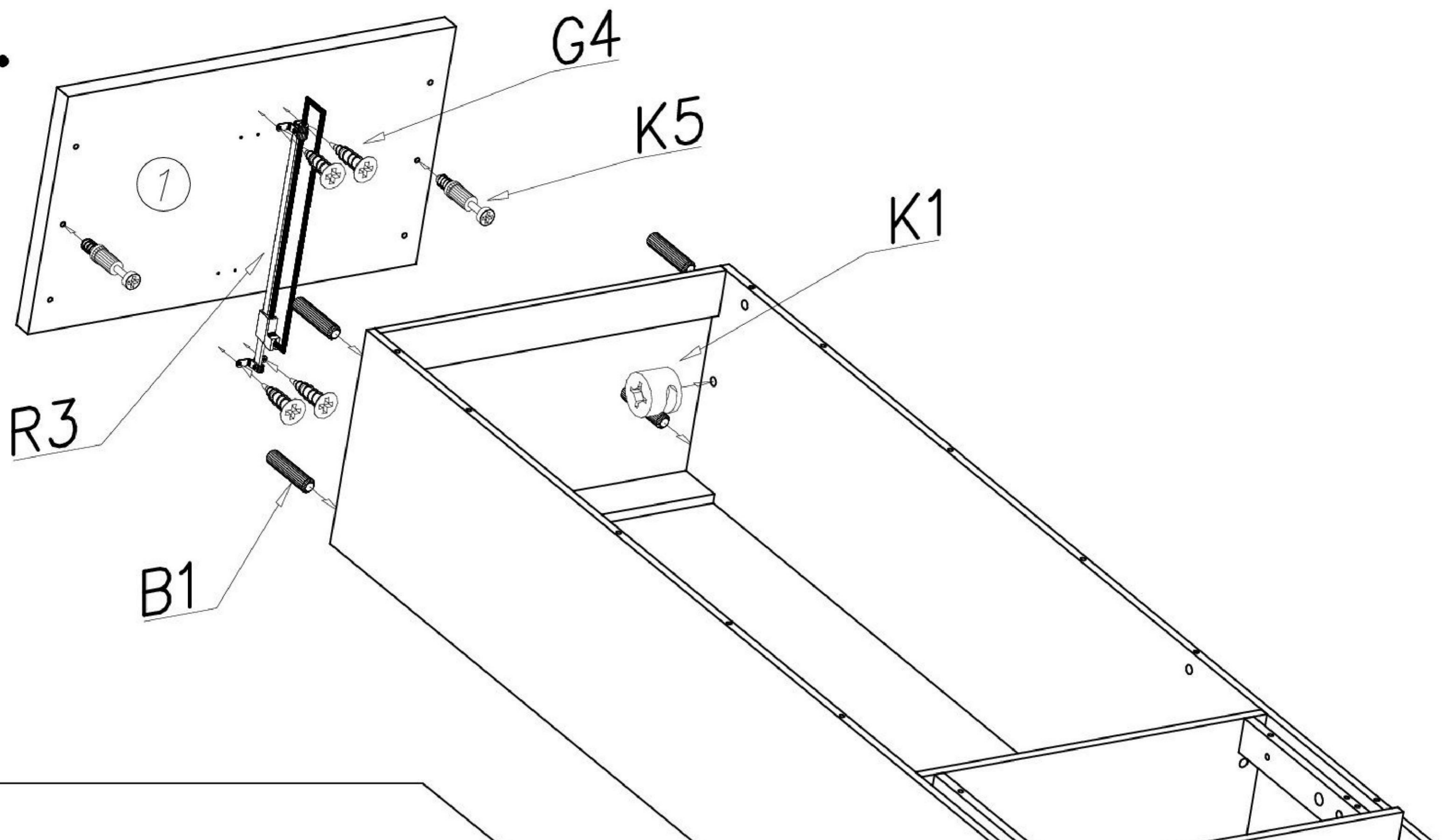
1.



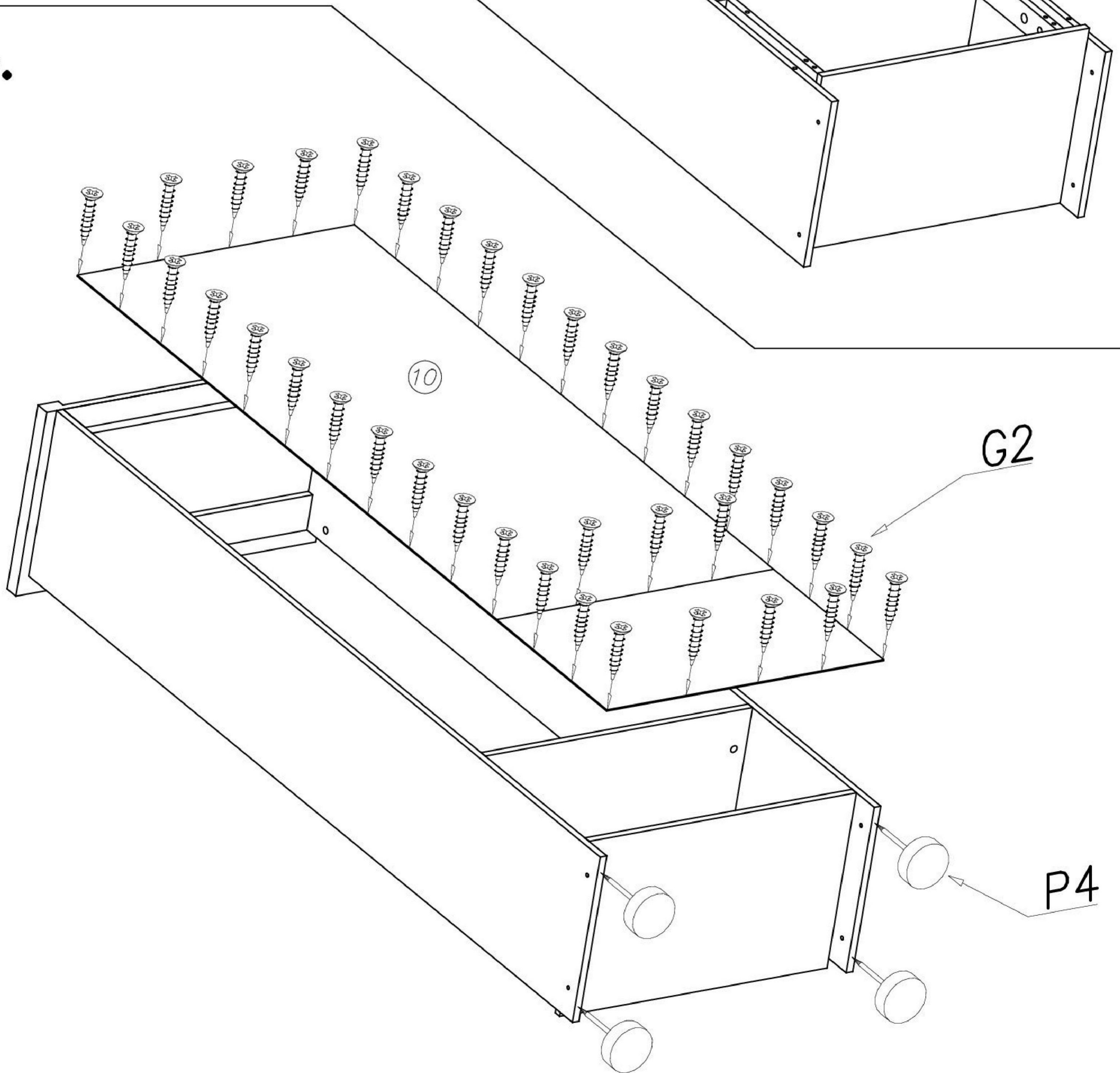
2.



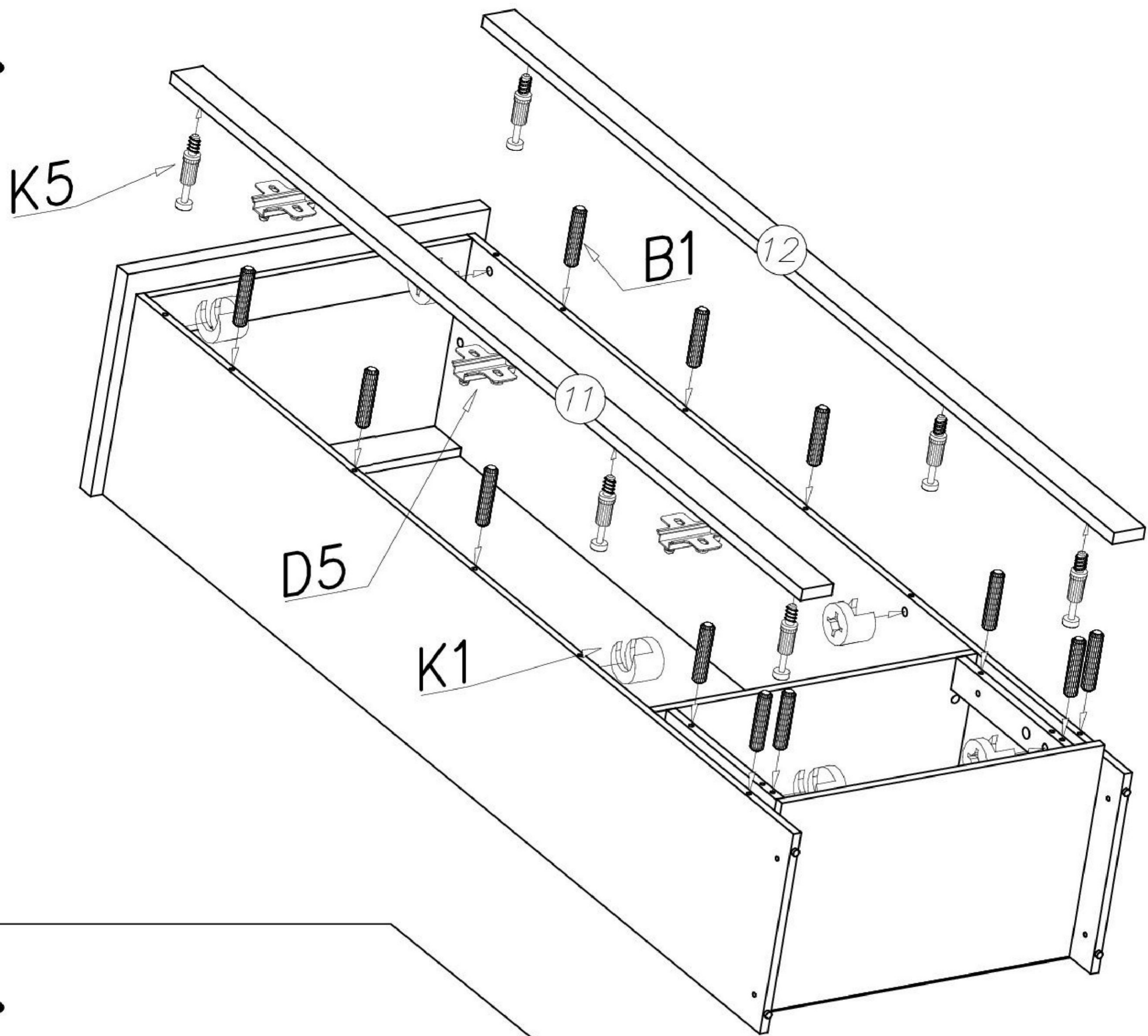
3.



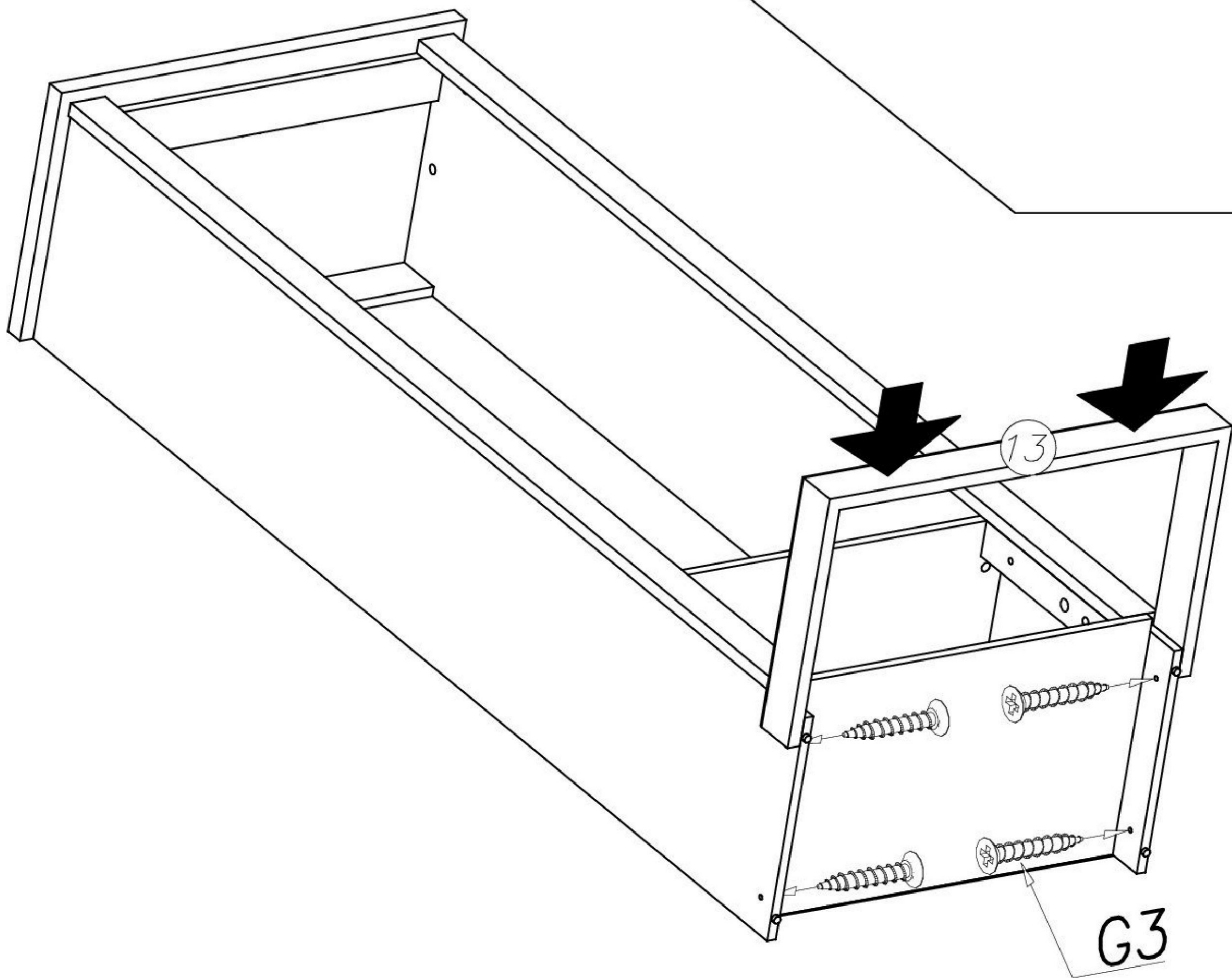
4.



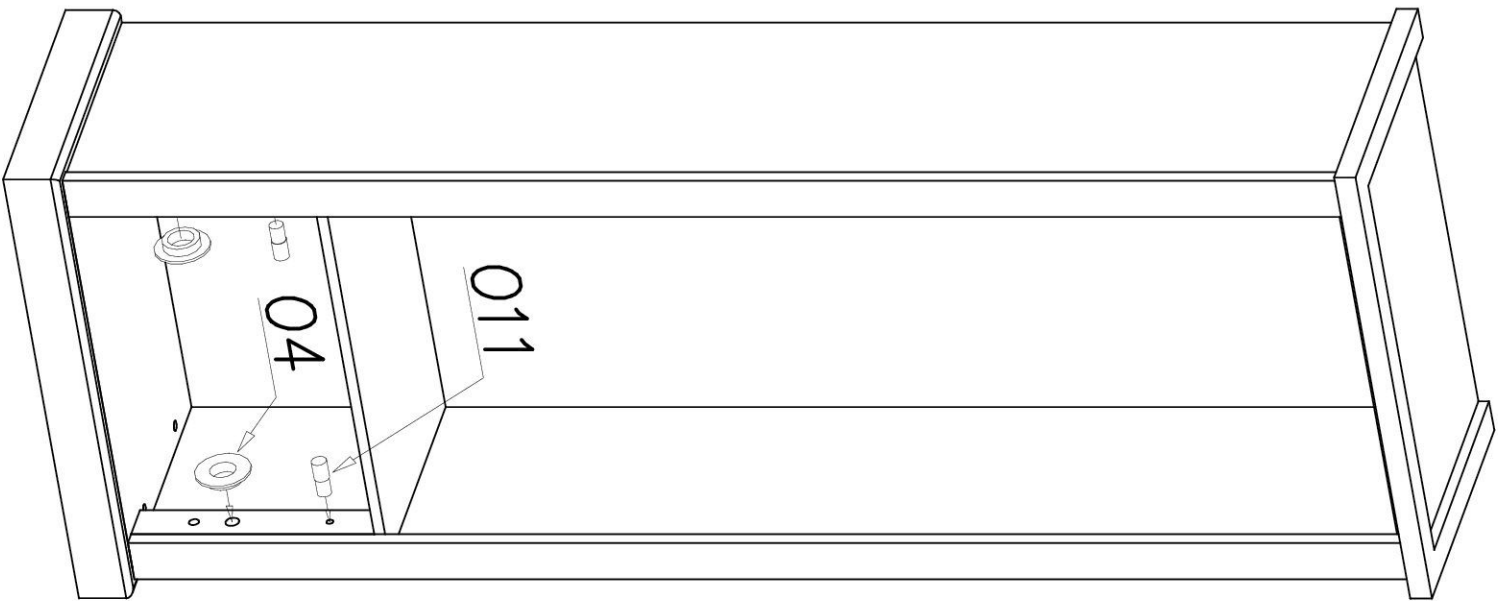
5.



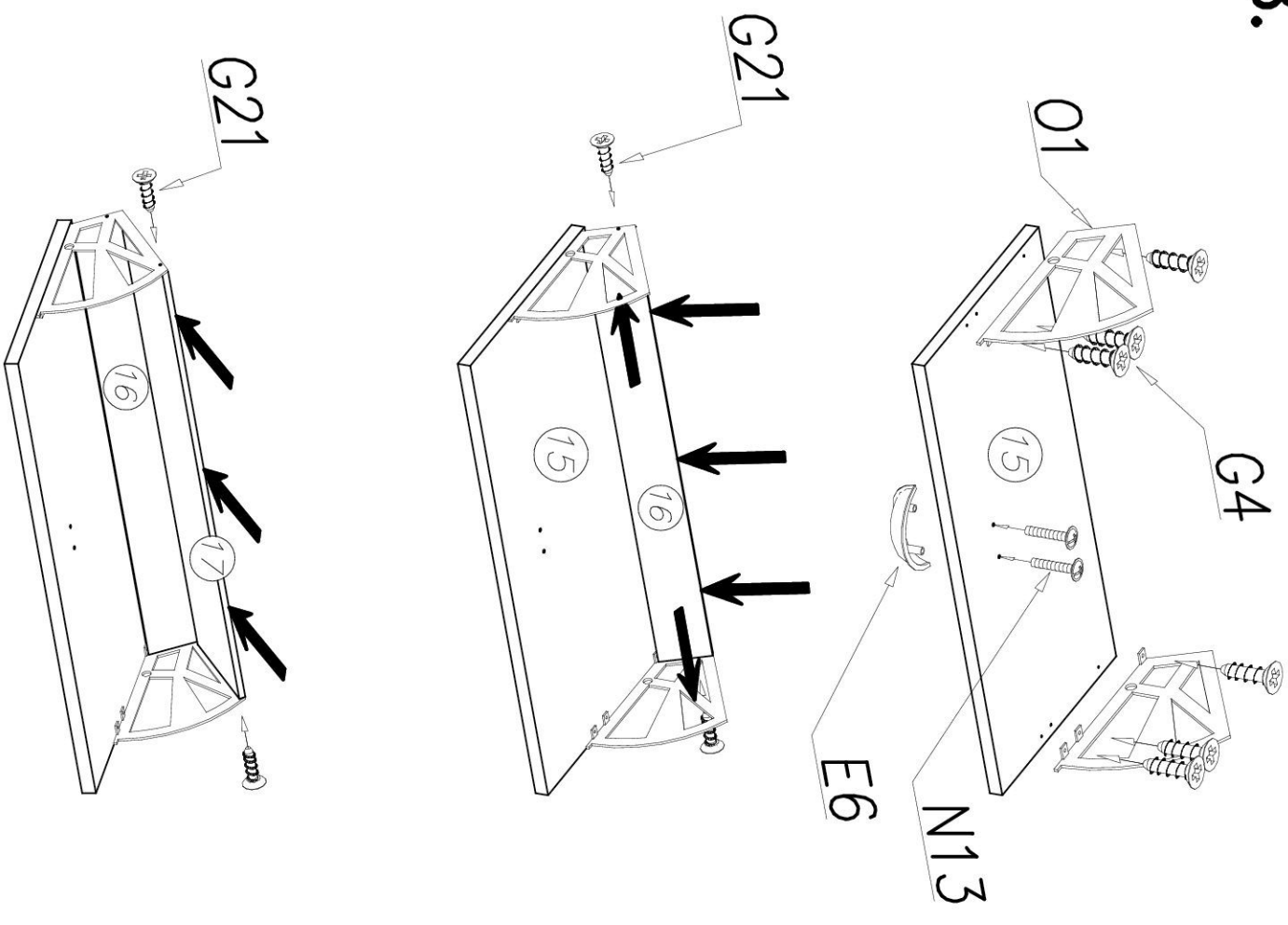
6.



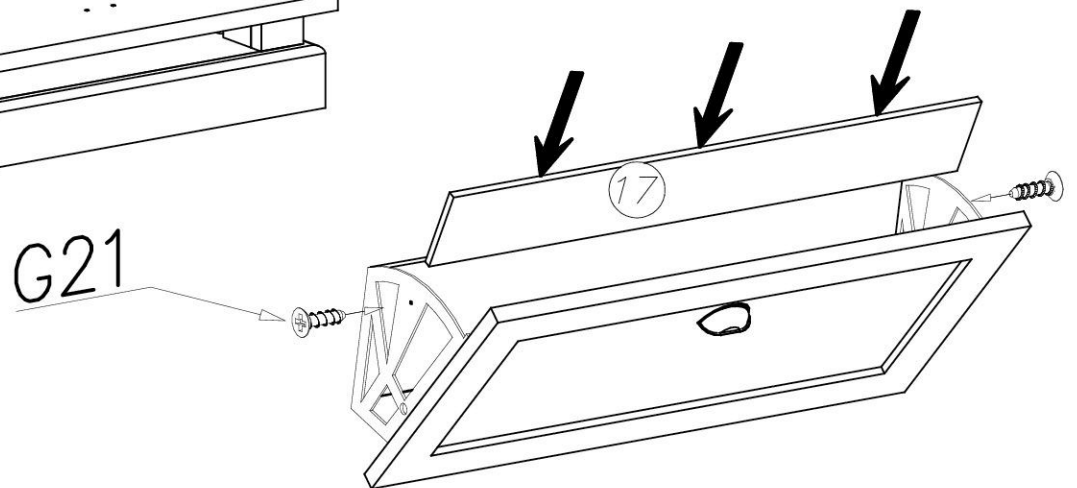
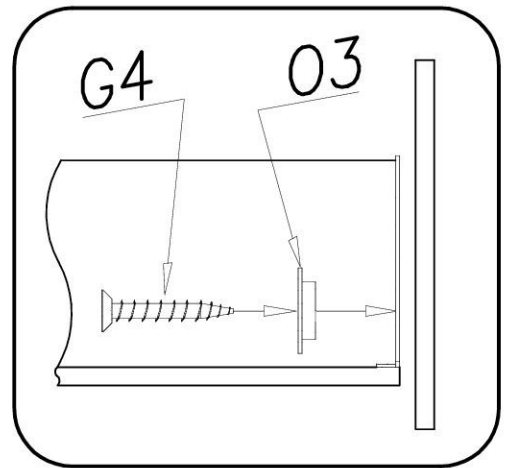
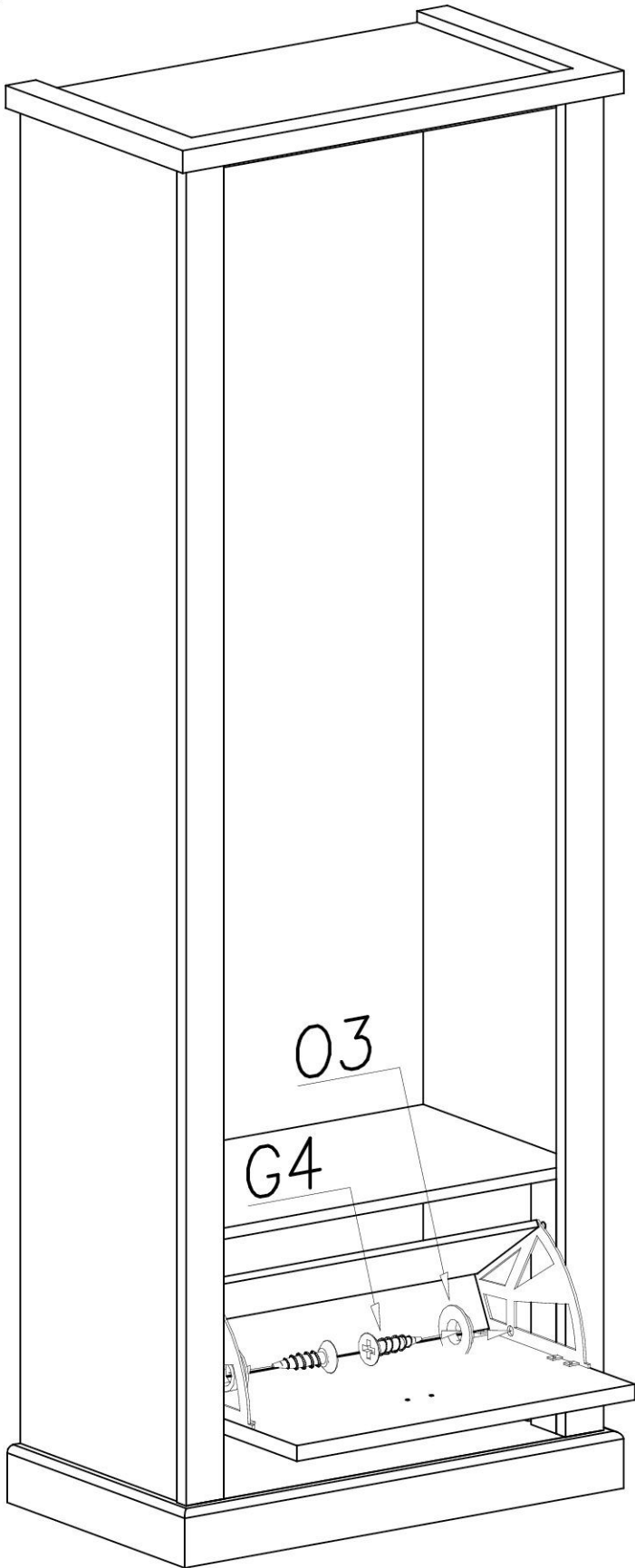
7.



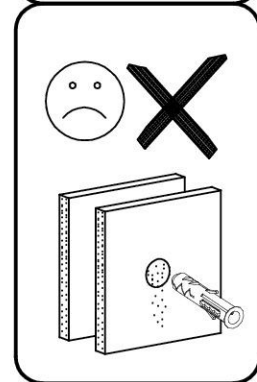
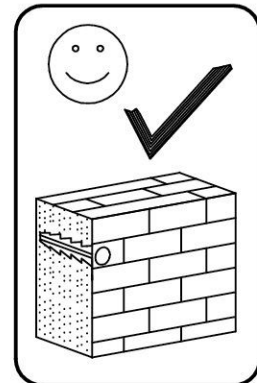
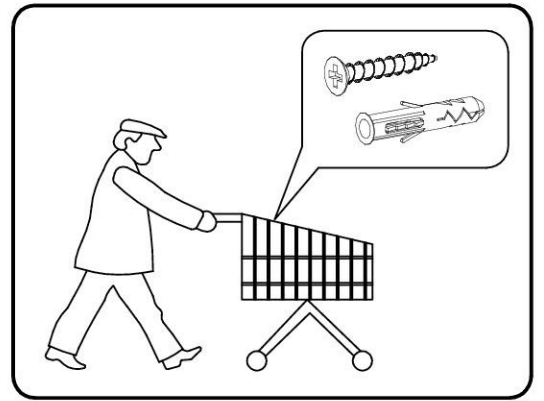
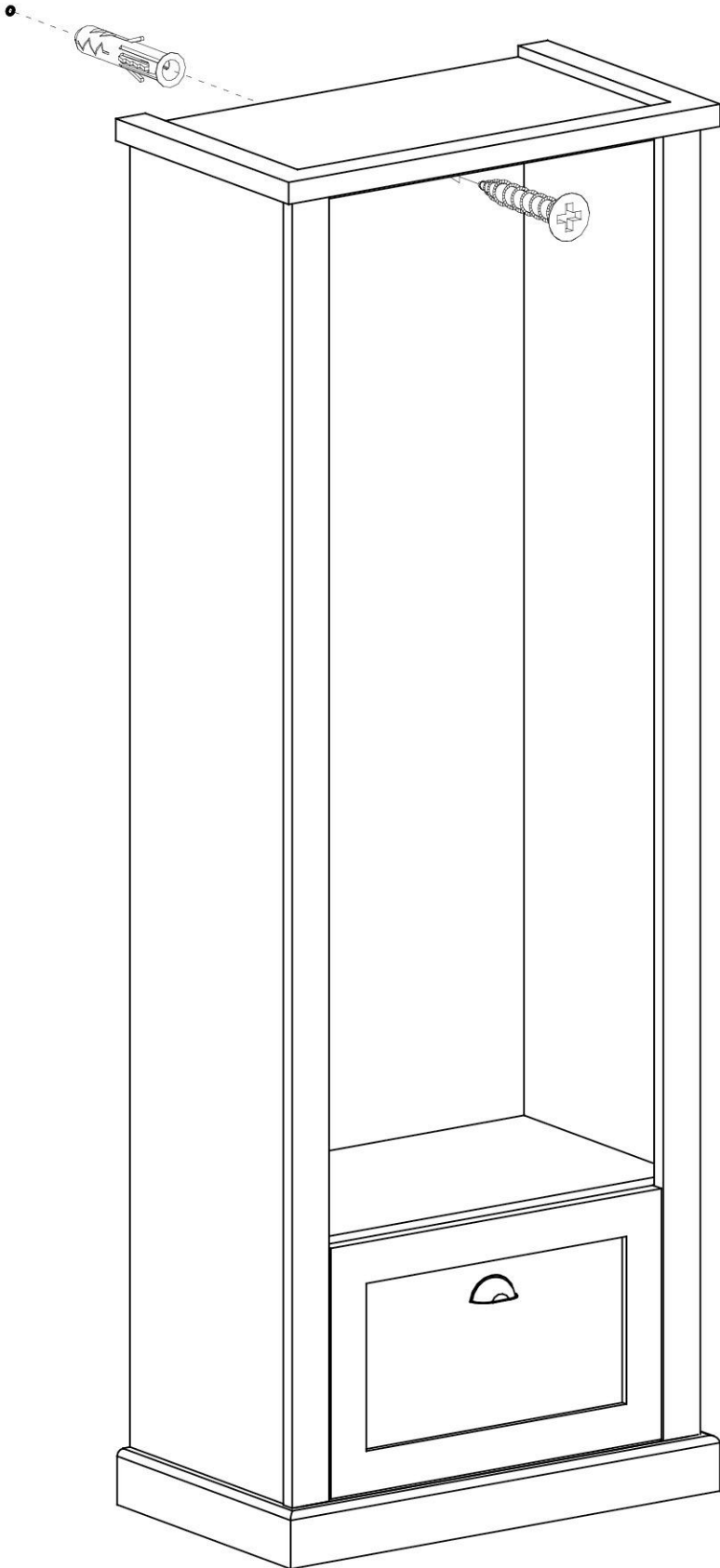
8.



9.



10.



11.

