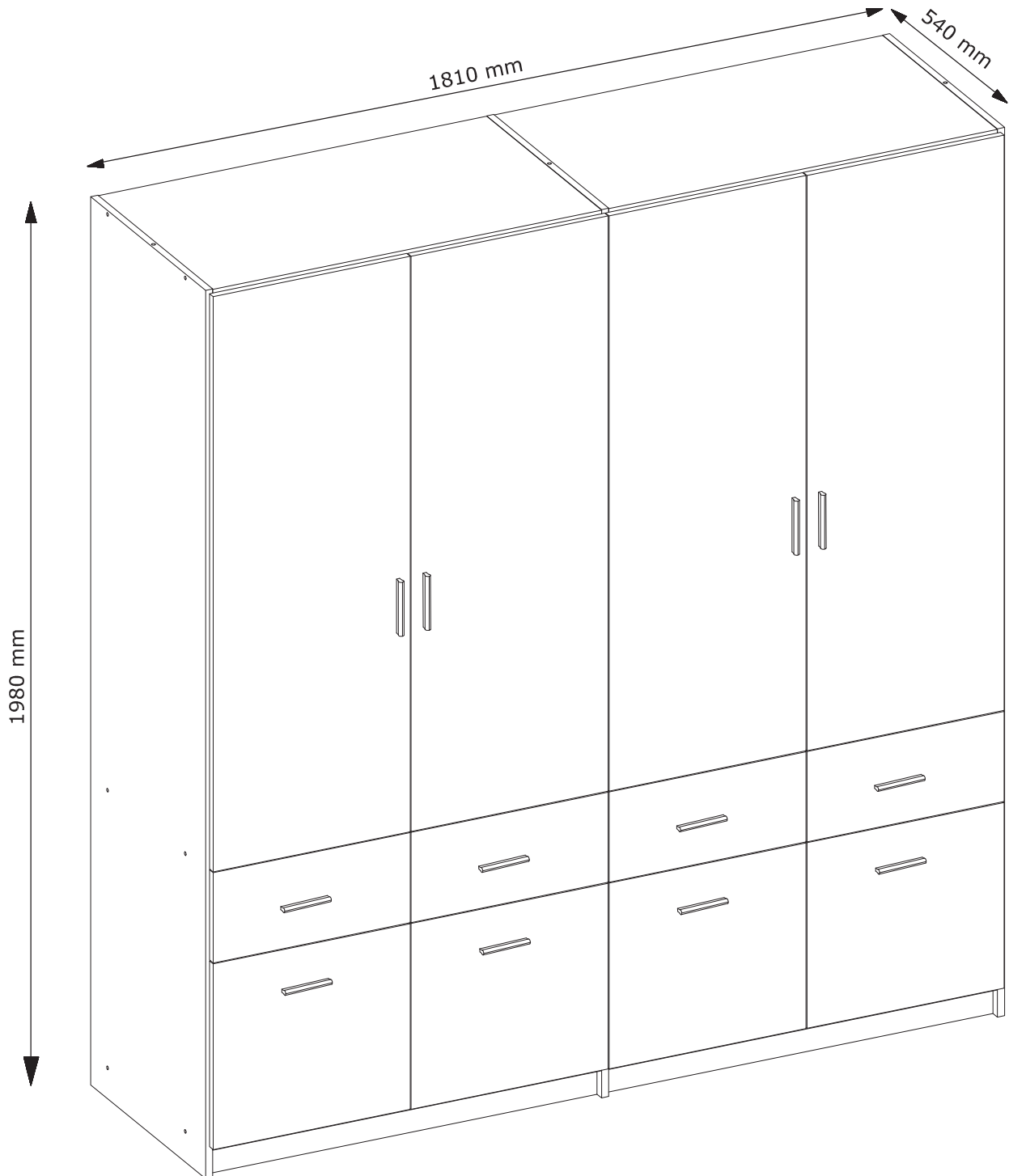
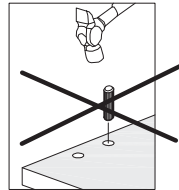
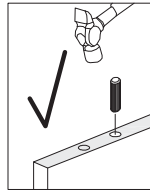
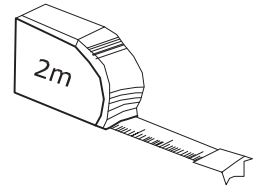
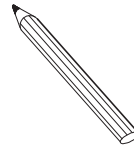
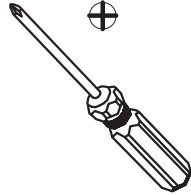
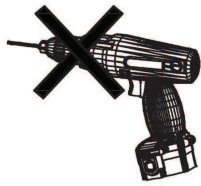
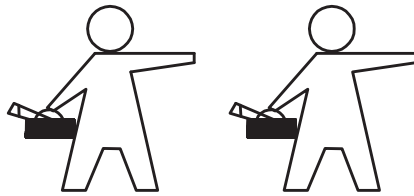
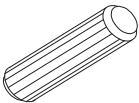
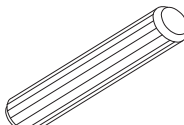

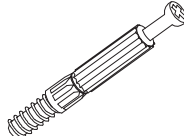

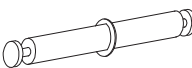

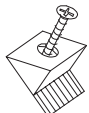
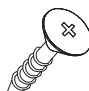

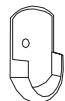
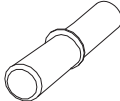
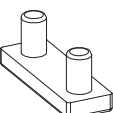
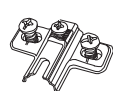

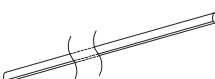
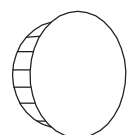


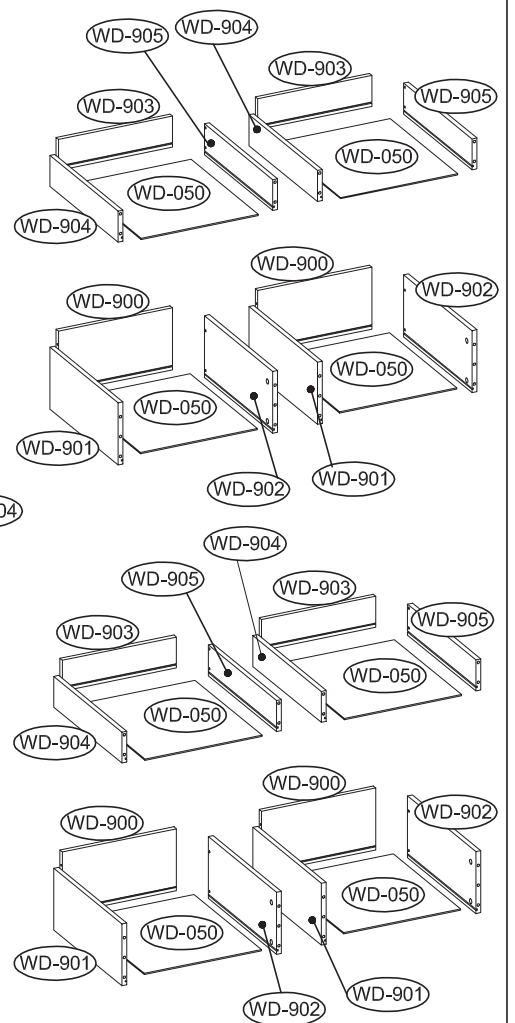
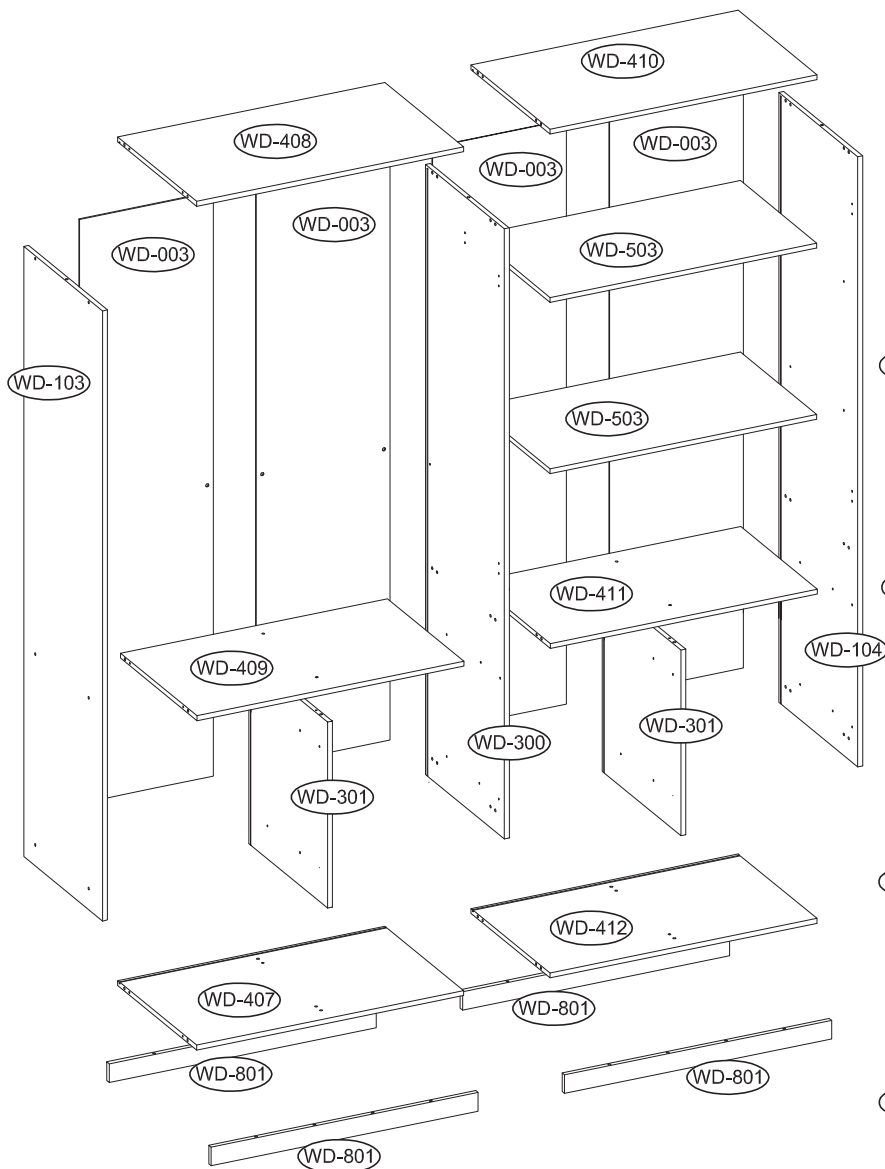
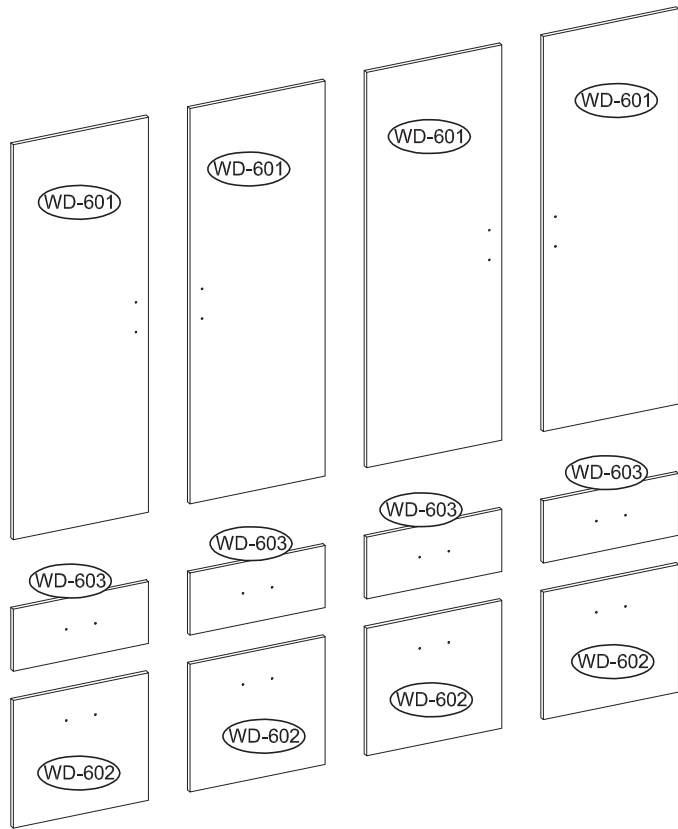
SNOW

05

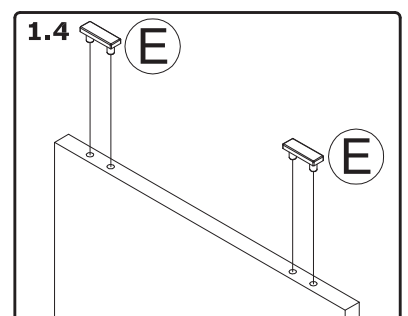
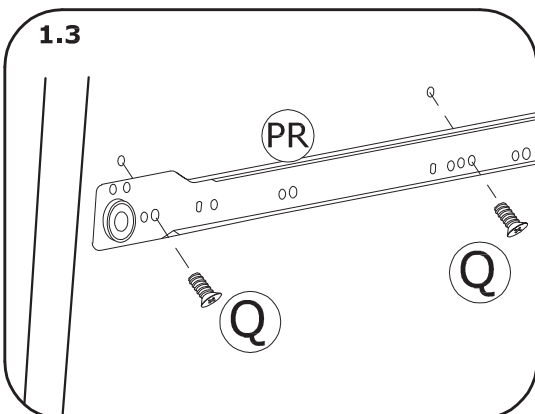
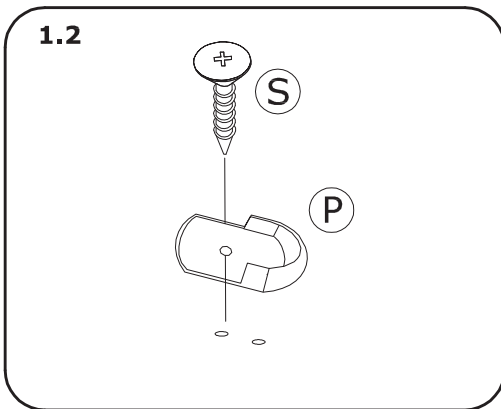
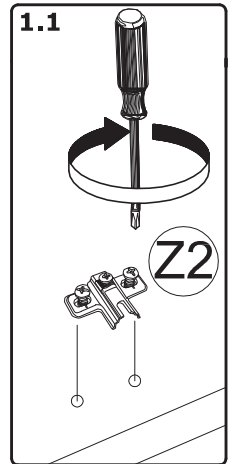
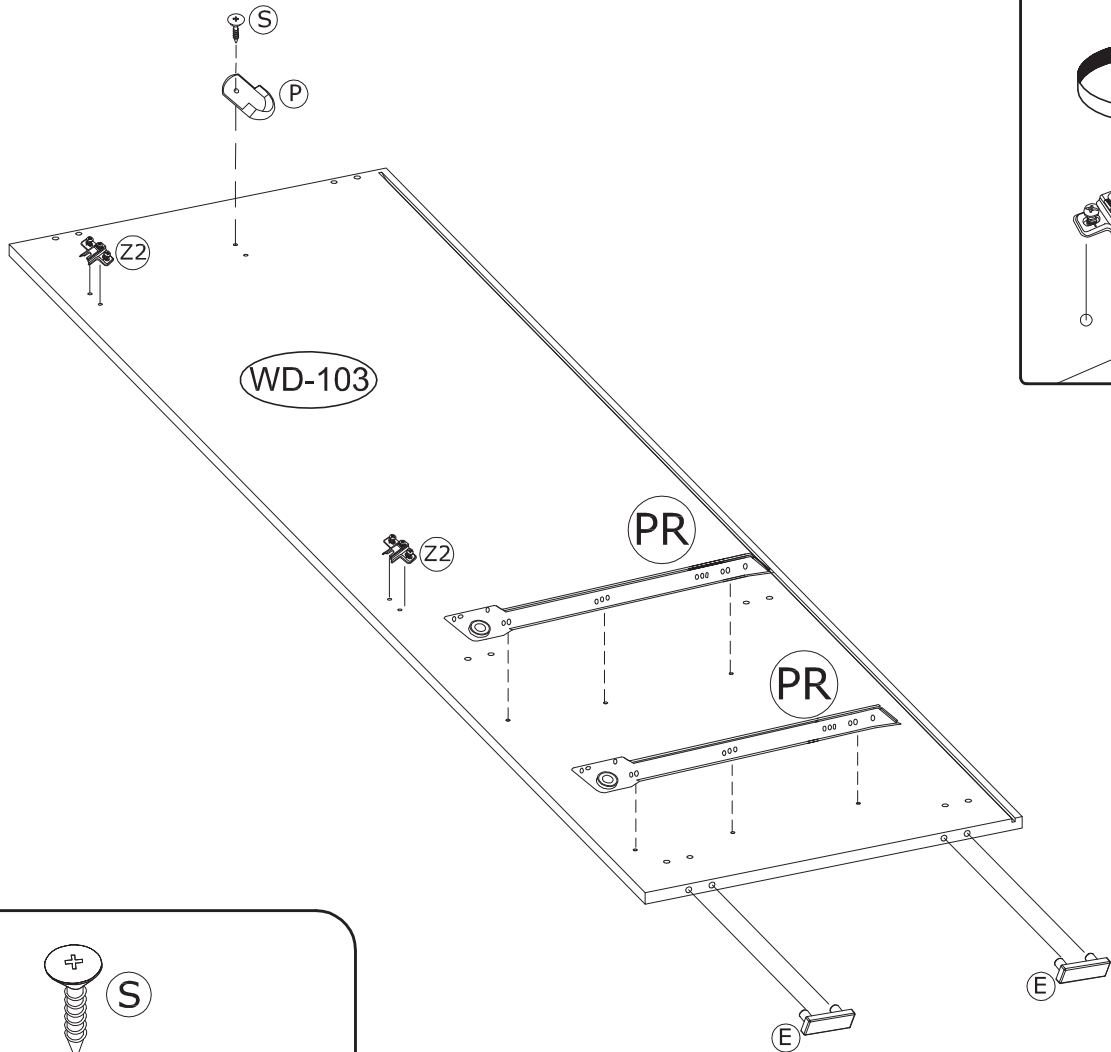
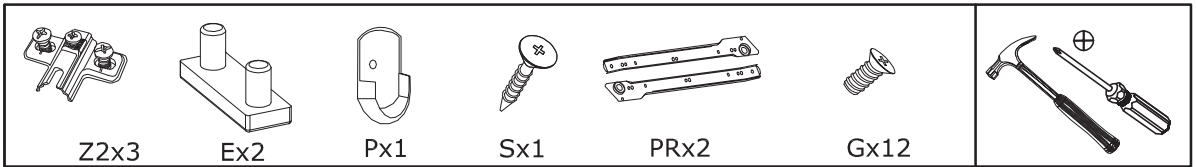




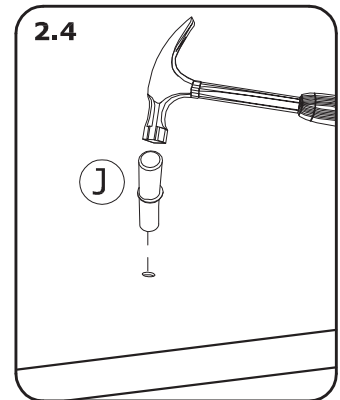
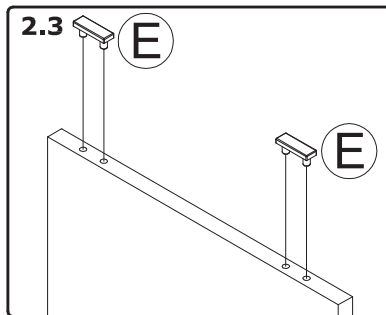
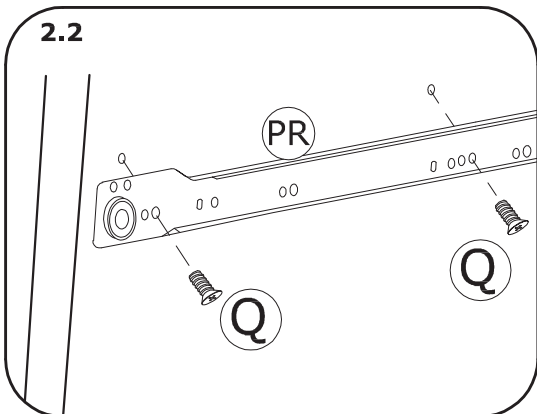
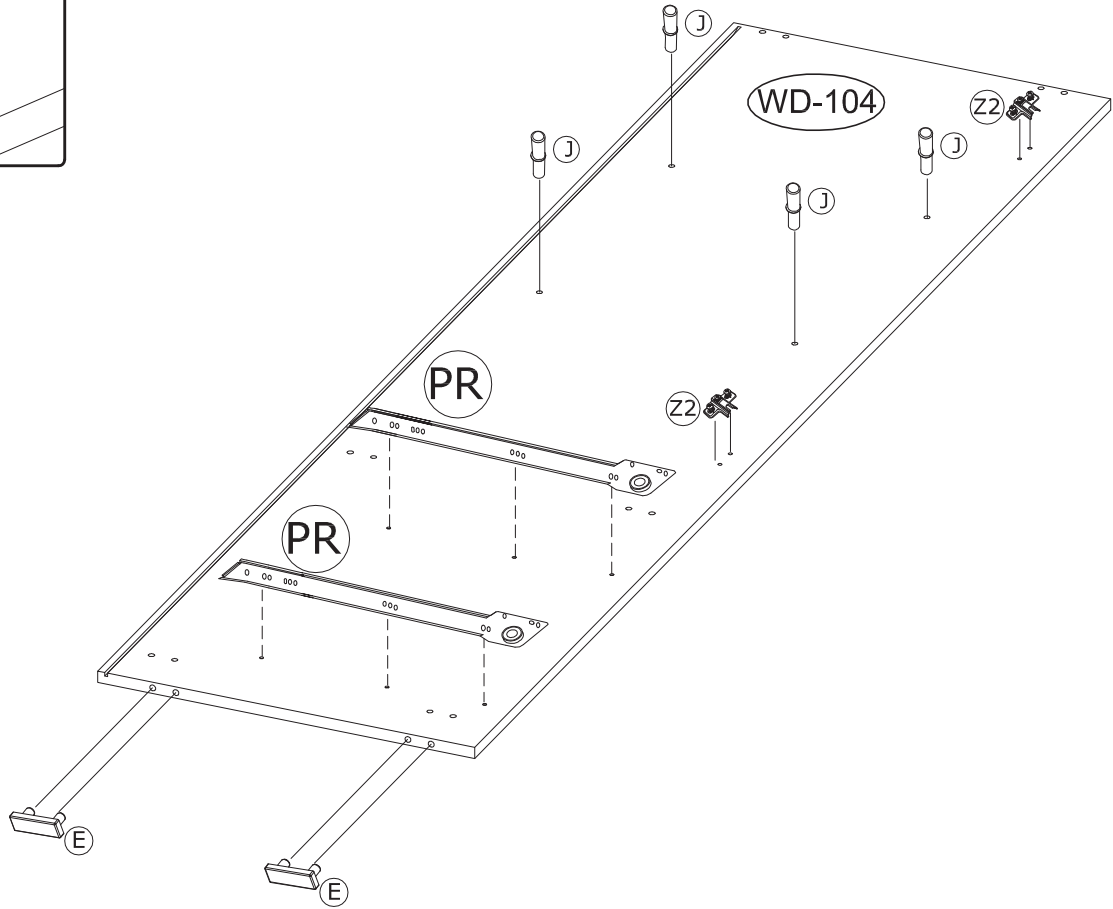
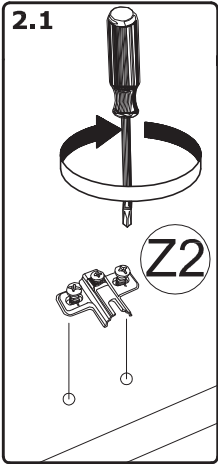
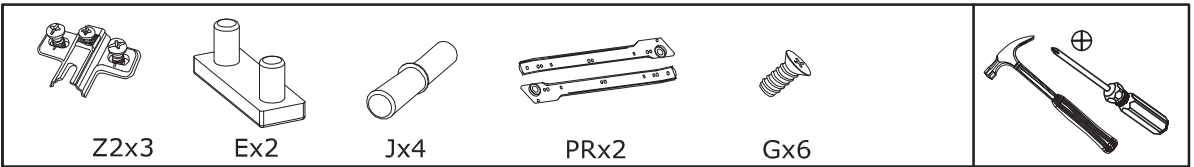
 Ø8x30mm Ax52	 Ø8x50mm A1x6	 Ø15x11mm Bx28	 Ø6.5x36.5mm Dx16
 C1-28	 DD-6	 Ø6,4x50mm T-20	 C-20
 Ox44	 Ø3.5x16mm Hx48	 4,0 mm V1-1	 Ø4,0x25mm Rx24
 Gx4	 Ø6.3x11mm EUx4	 Px2	 5 mm Jx8
 Ex10	 Nx32	 Z1x8	 Z2x8
 Ø3.0x13mm Sx2	 Wx2	 KLx3	 Lx12
 L=872 mm DRx1	 L=450 mm PRx8	 Ø6.0x13,0mm Qx48	 C1x4



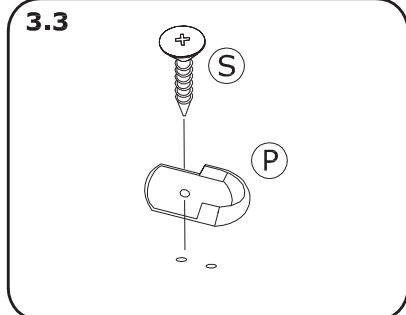
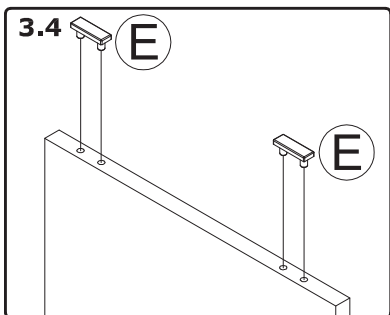
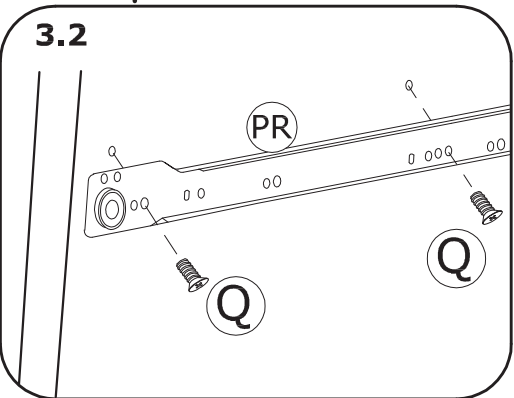
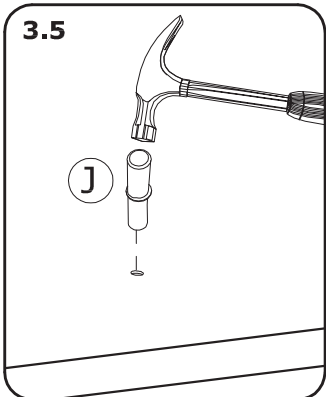
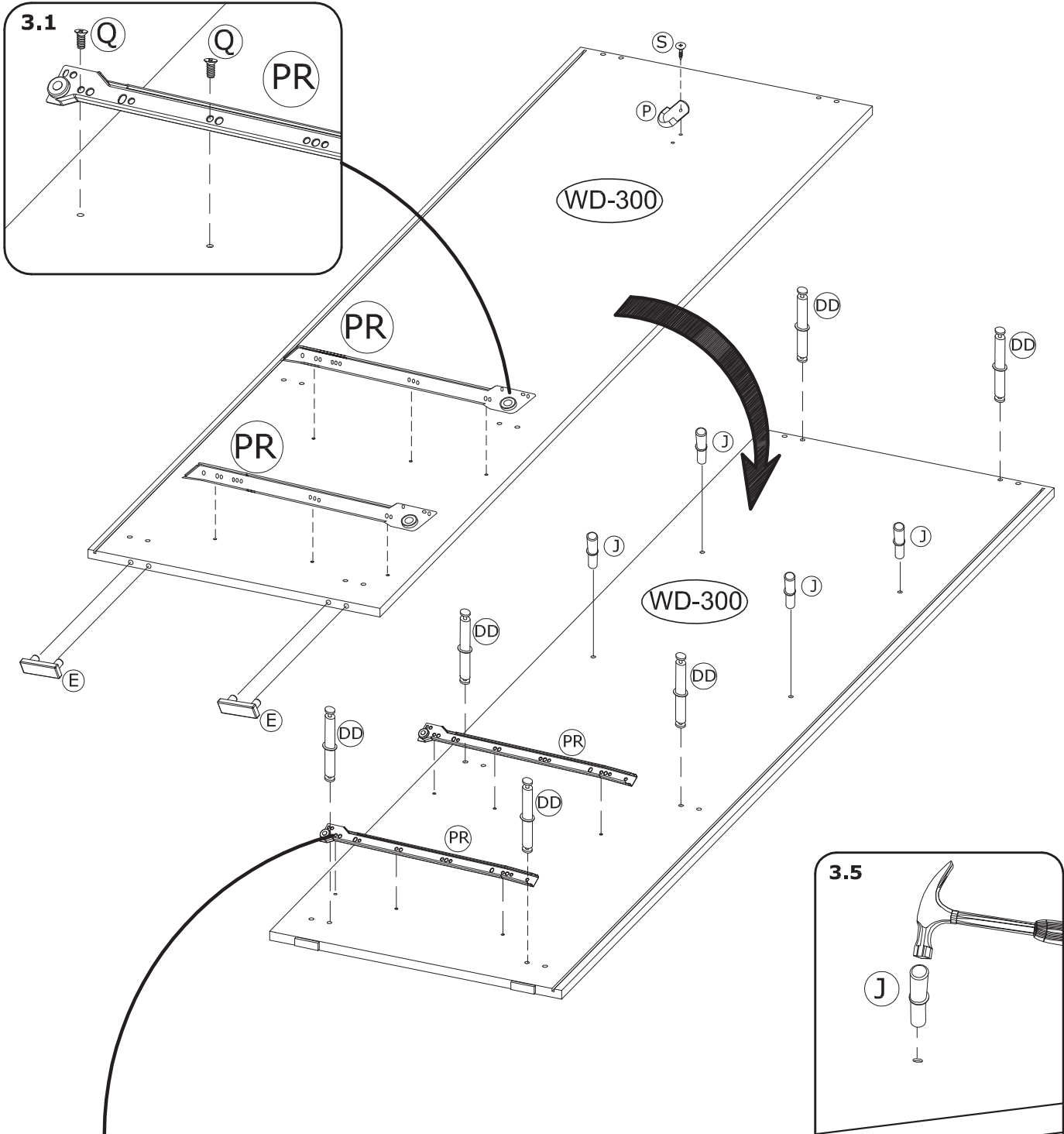
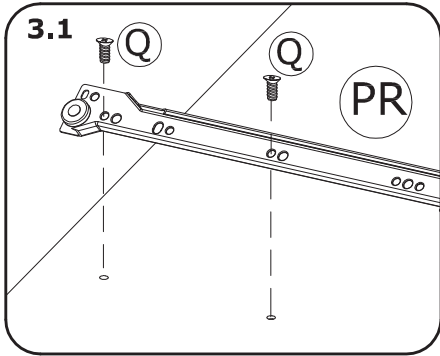
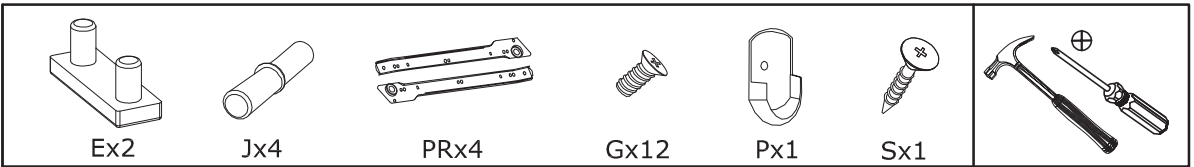
1



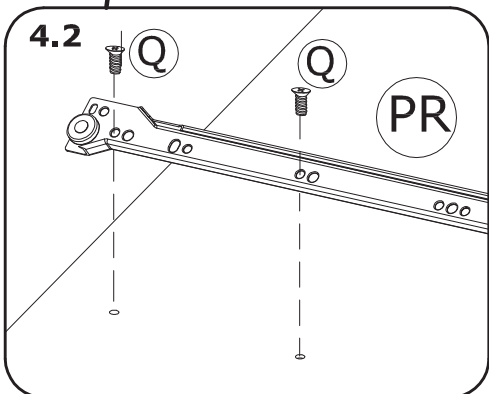
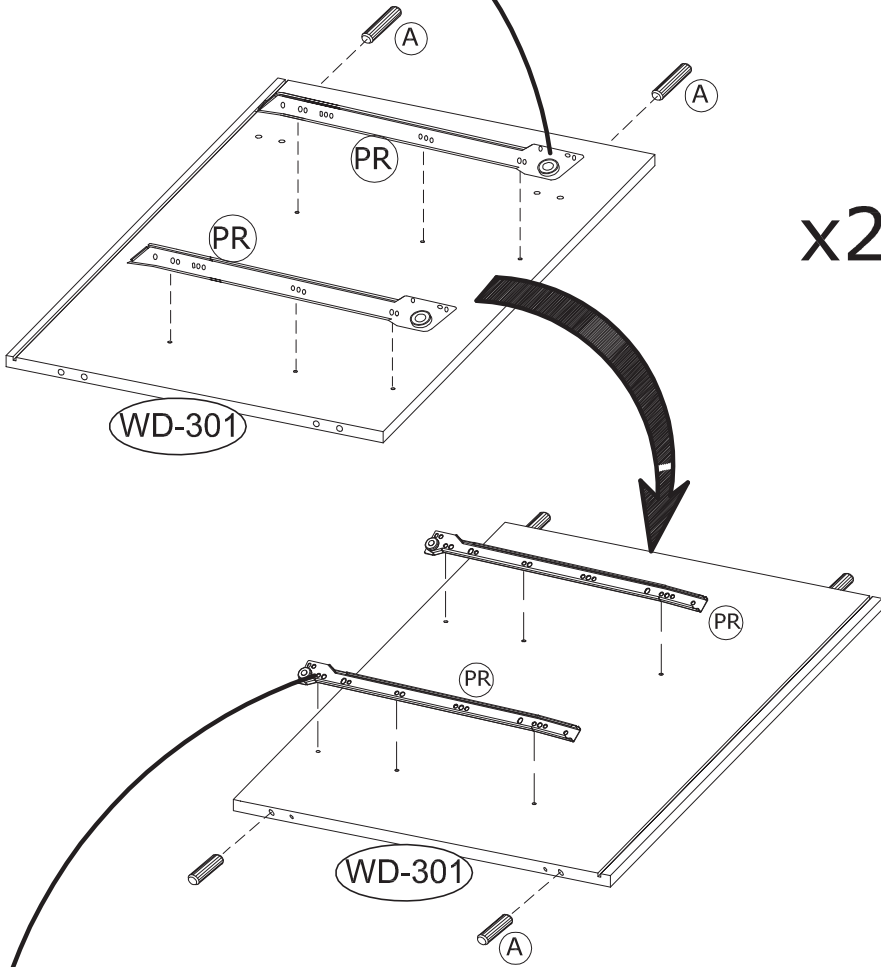
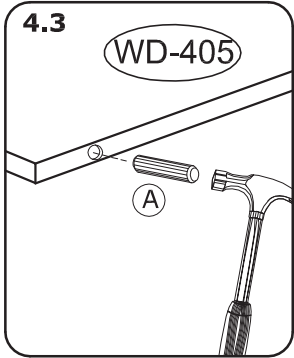
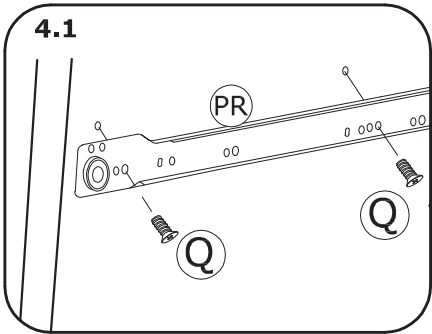
2



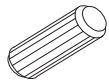
3



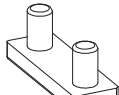
4



5



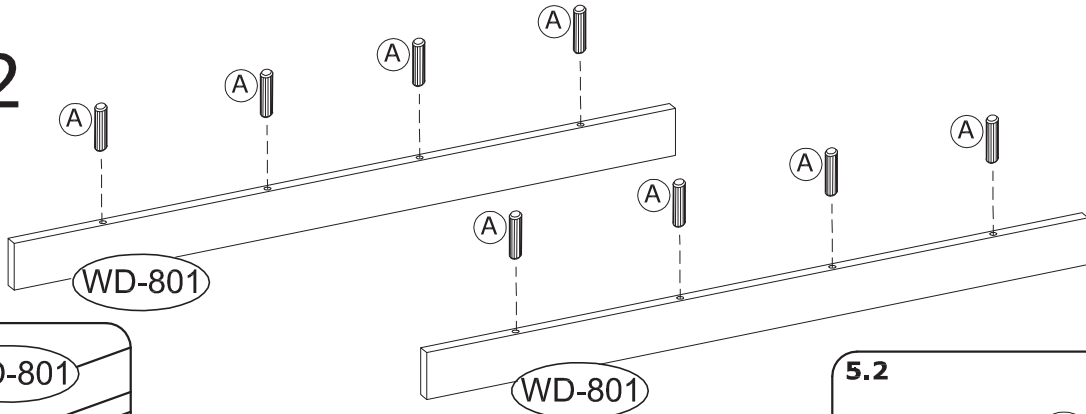
Ax16



Ex4

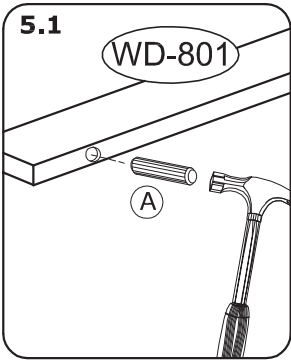


x2



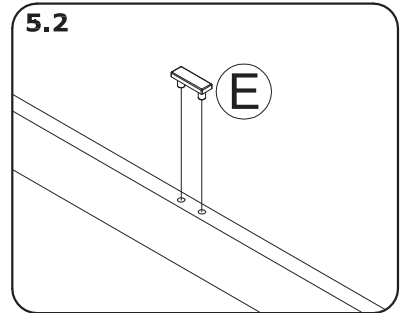
5.1

WD-801

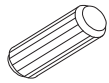


5.2

E



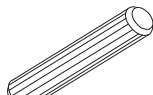
6



Ax2



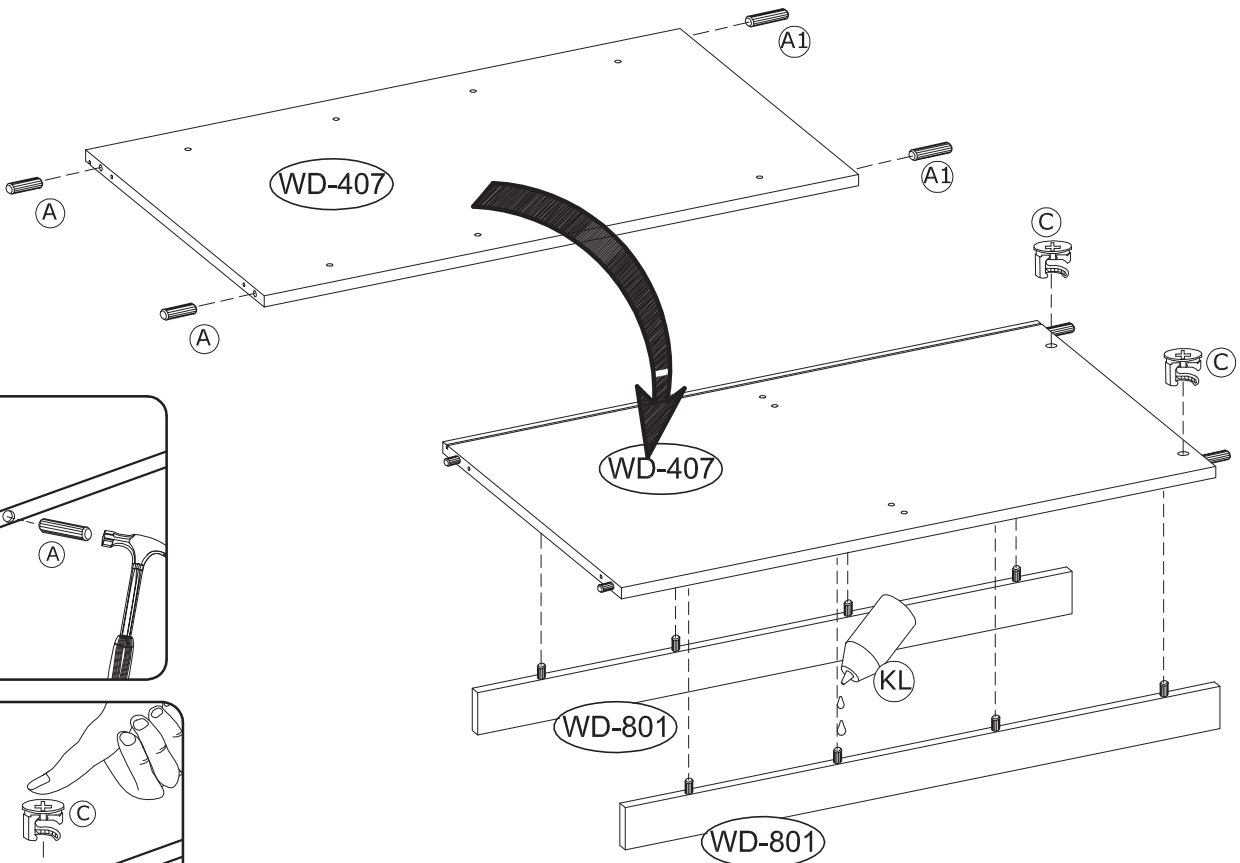
Cx2



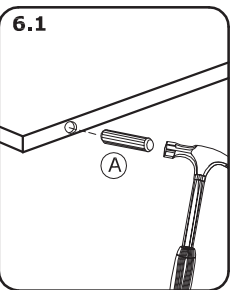
A1x2



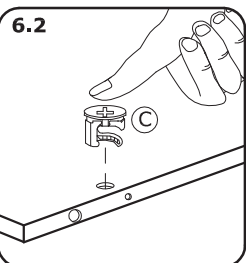
KL



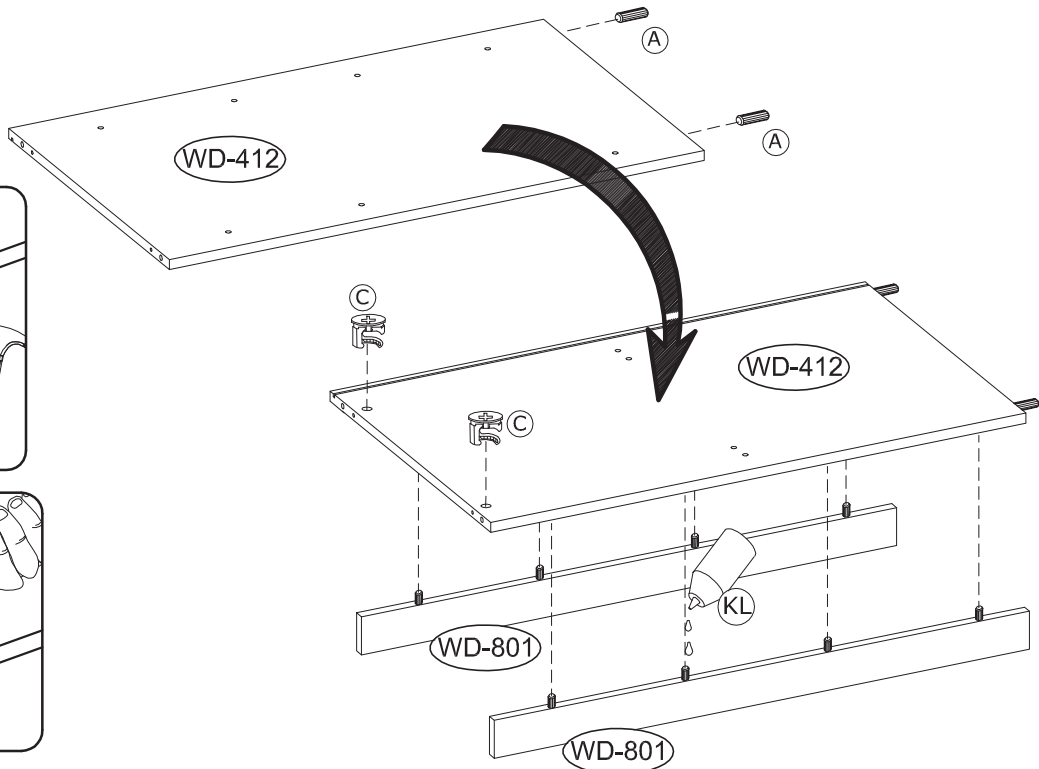
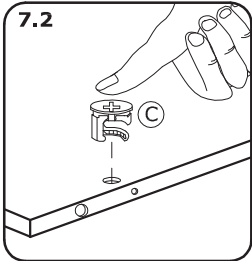
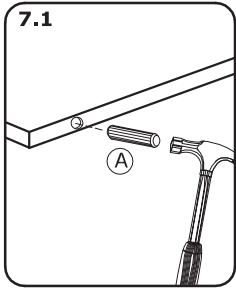
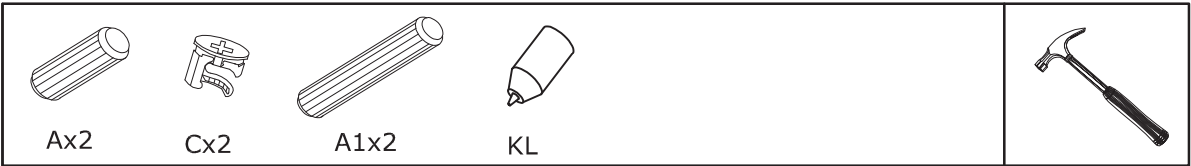
6.1



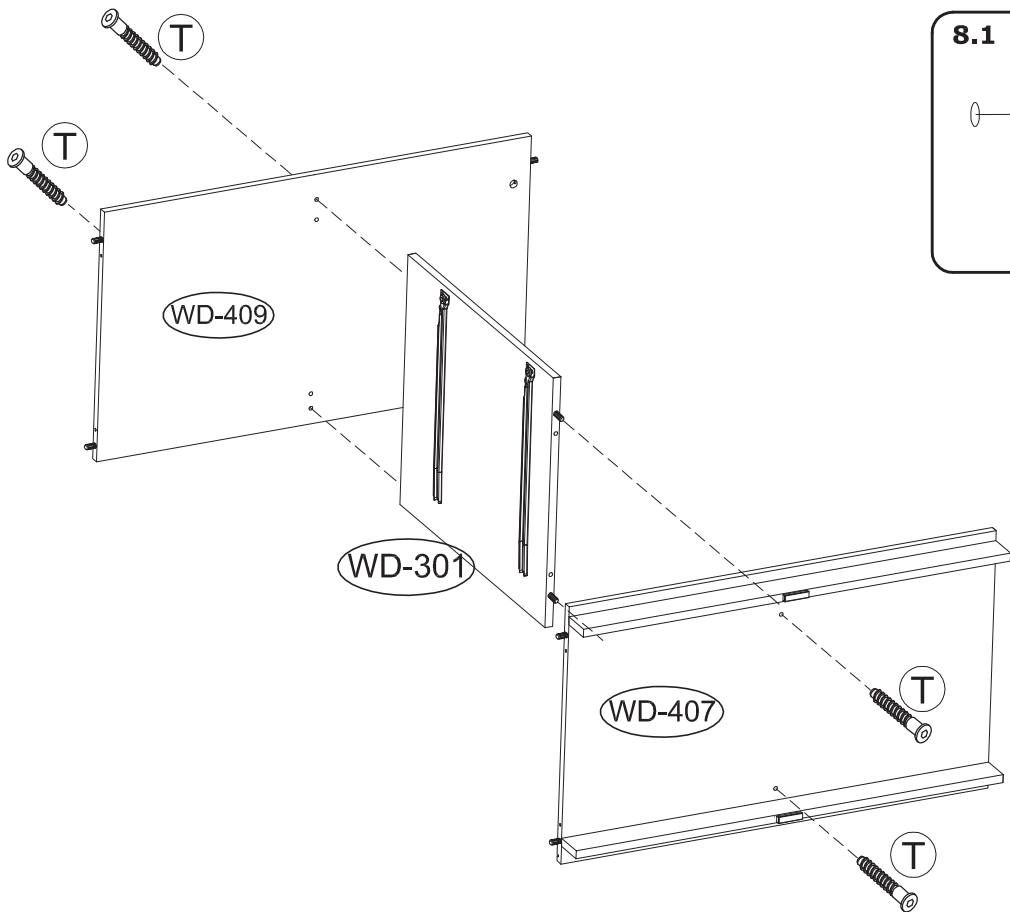
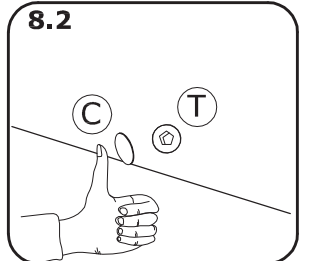
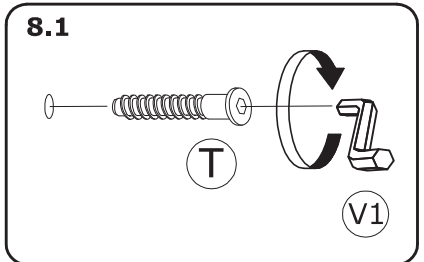
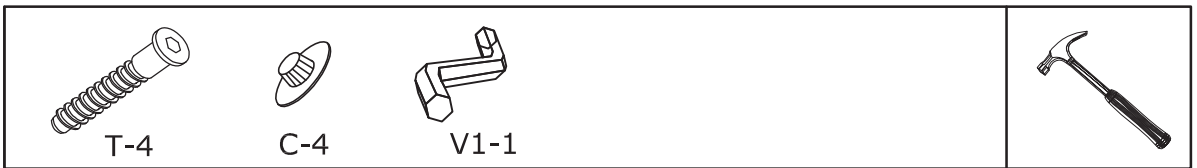
6.2



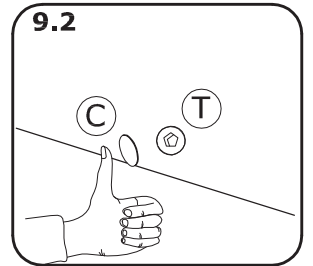
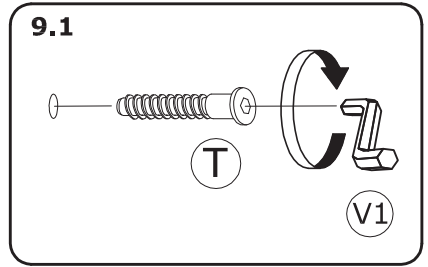
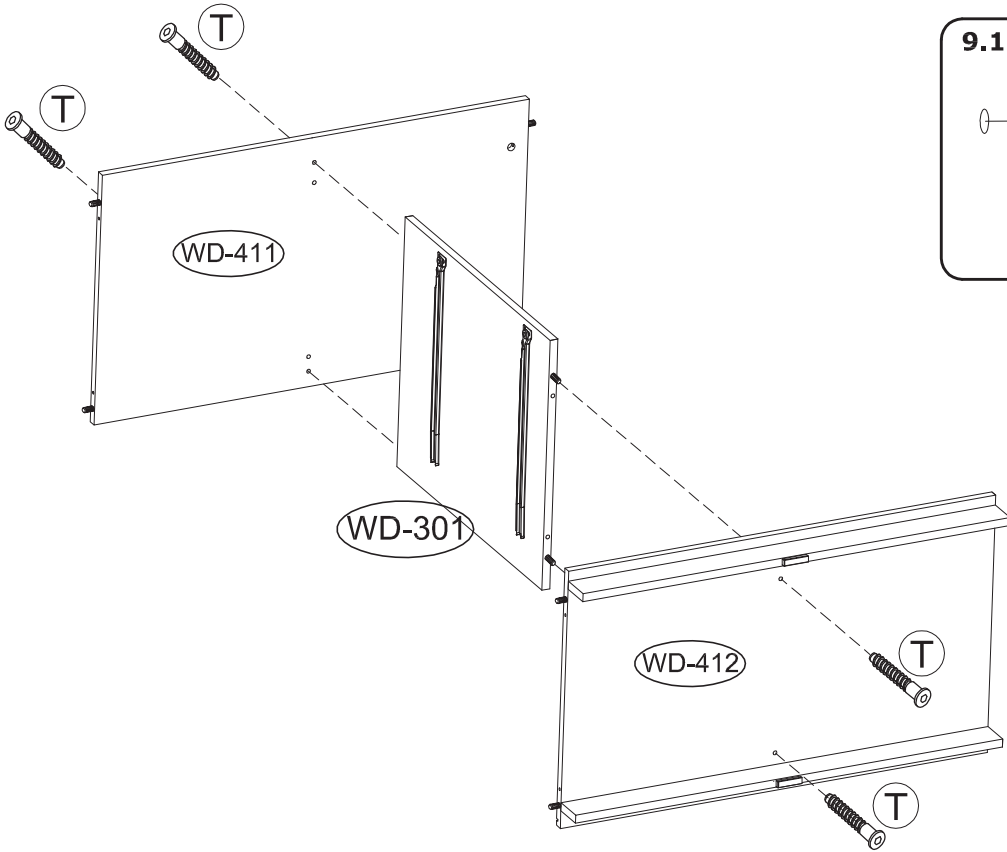
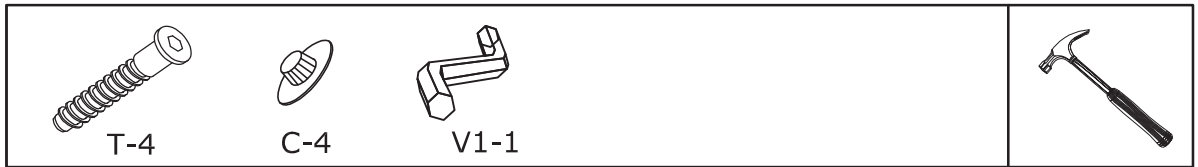
7



8



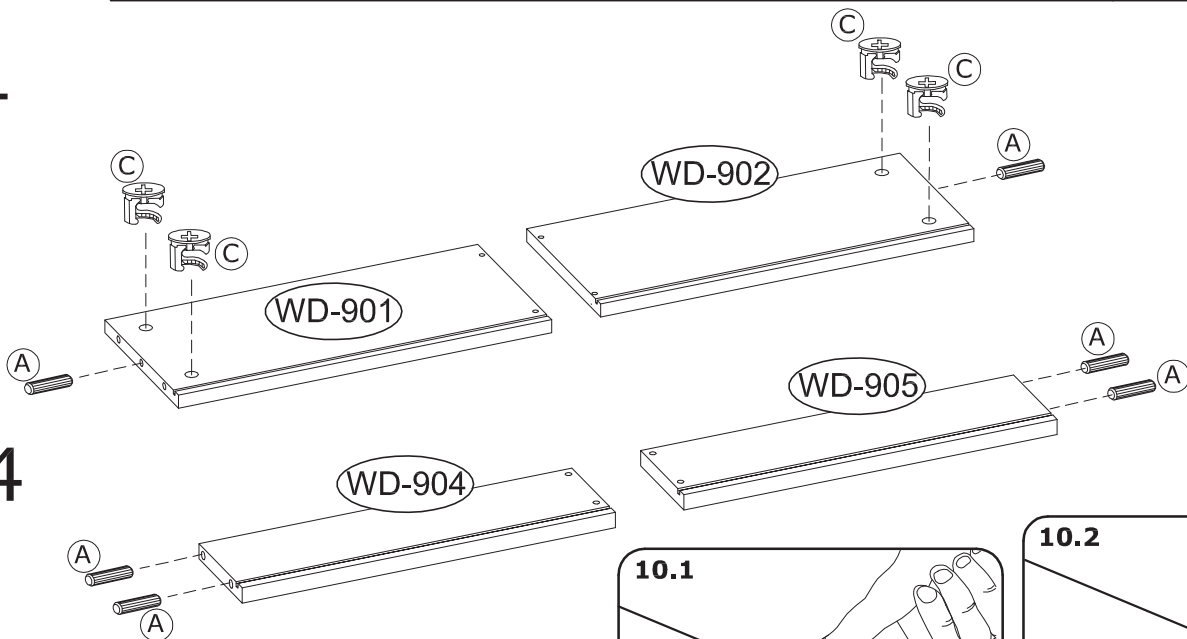
9



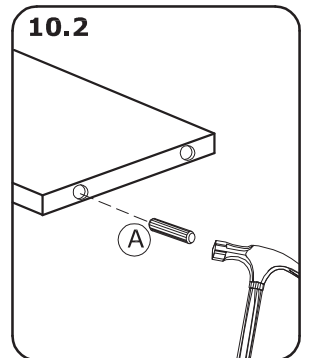
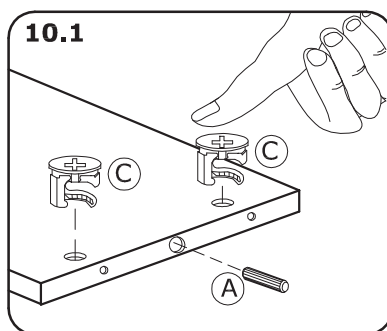
10



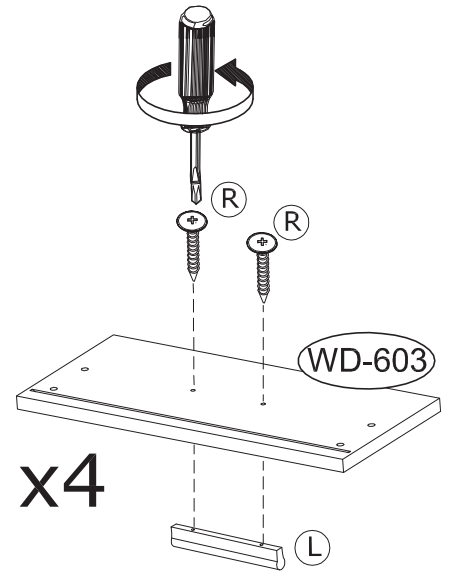
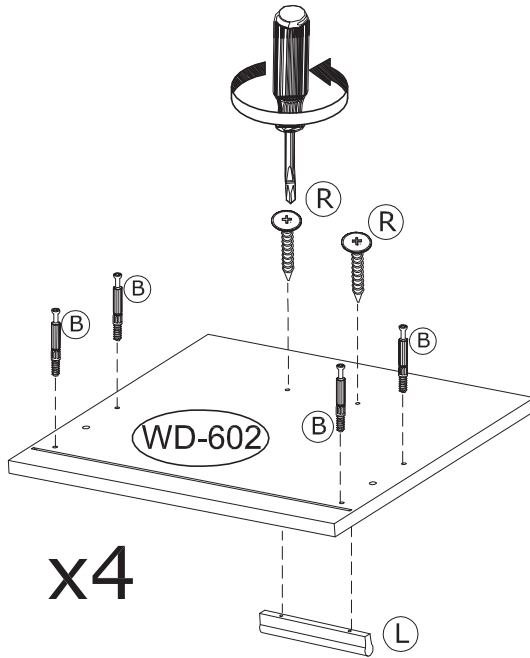
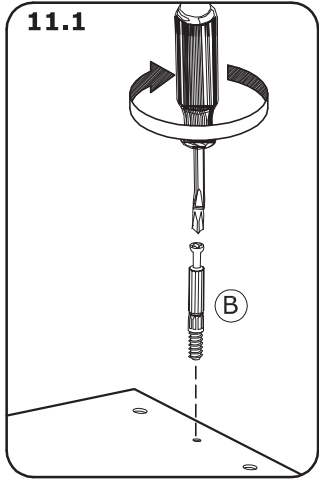
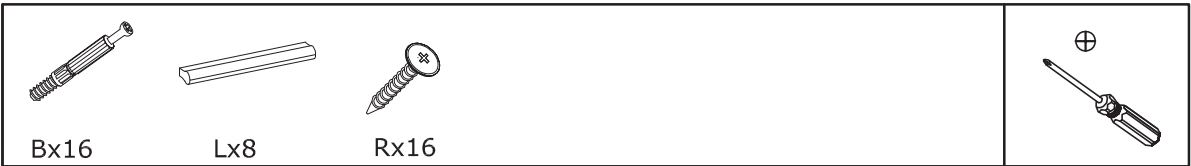
x4



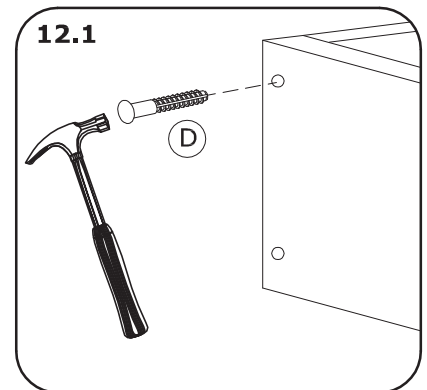
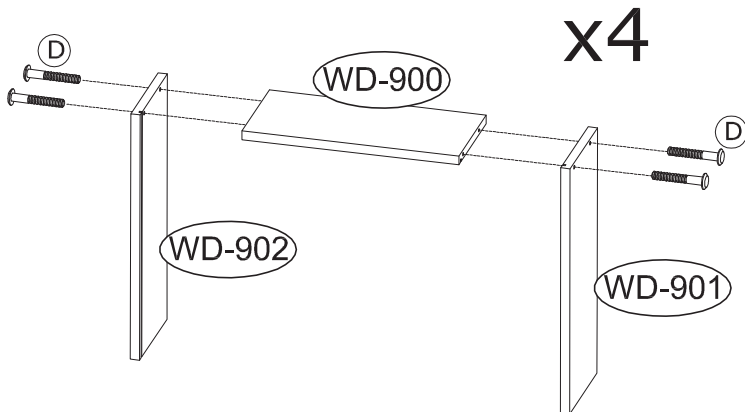
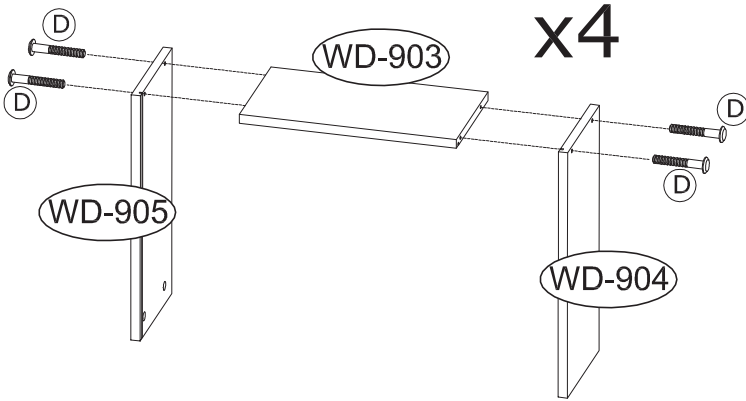
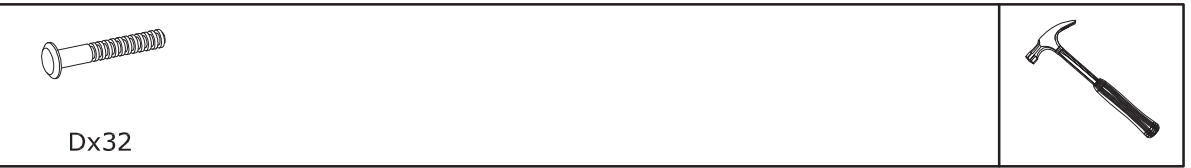
x4



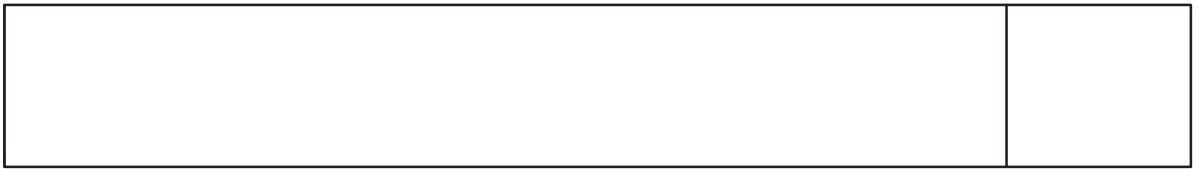
11



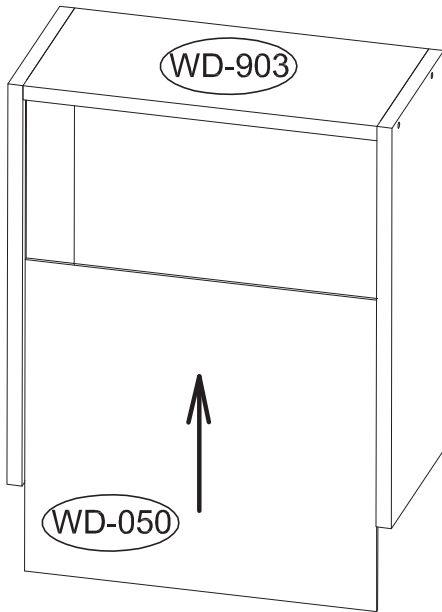
12



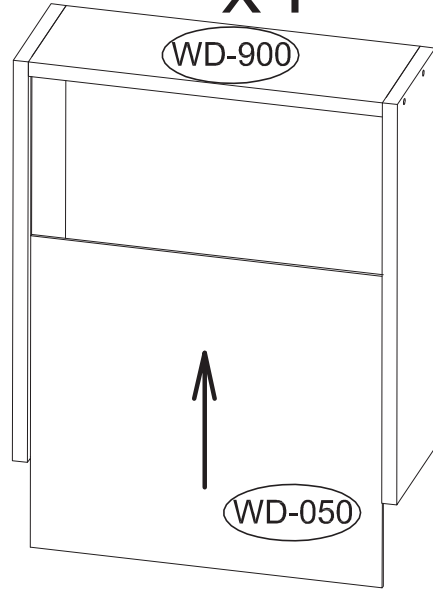
13



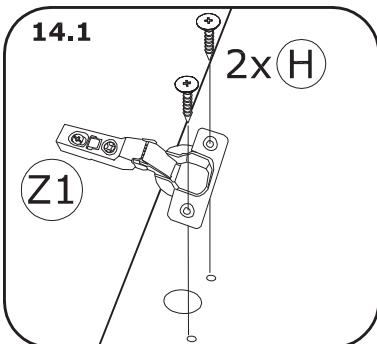
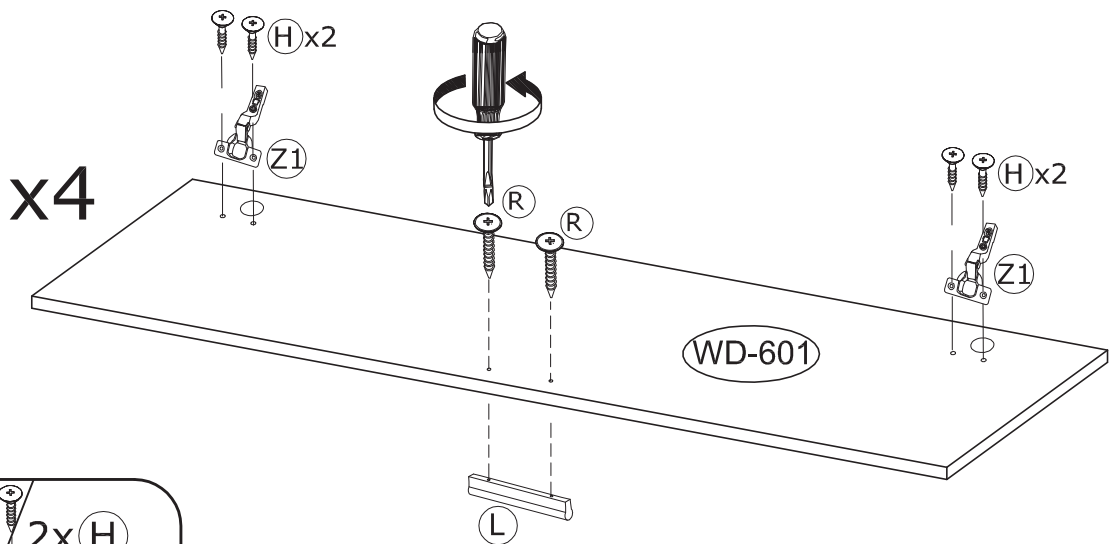
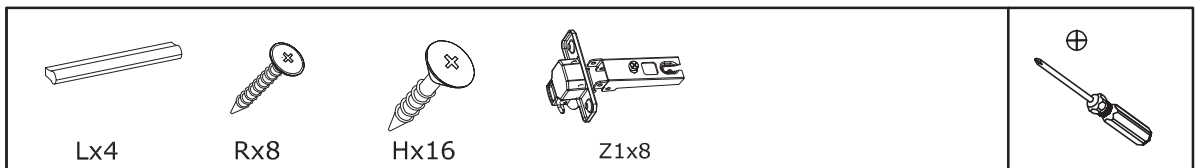
x4



x4



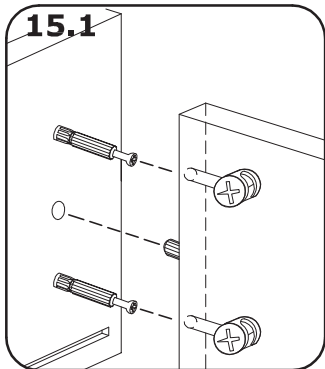
14



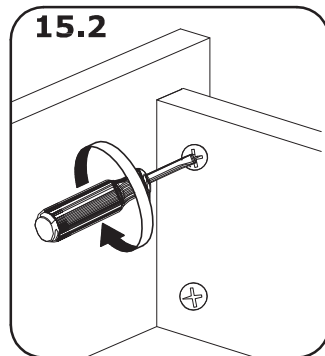
15



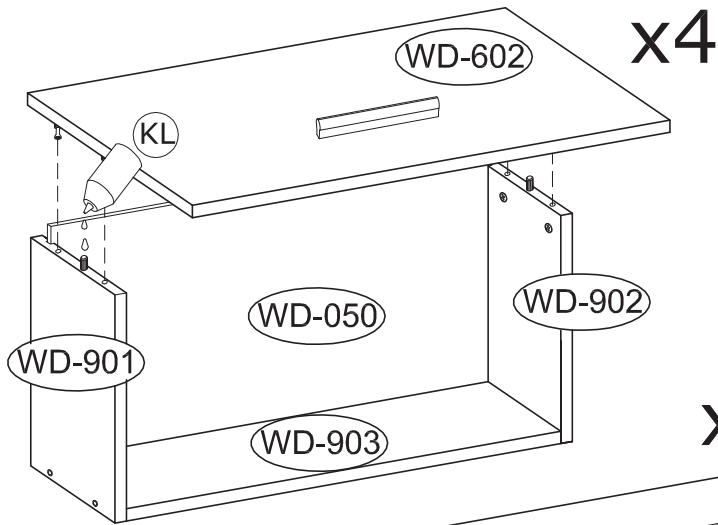
KL



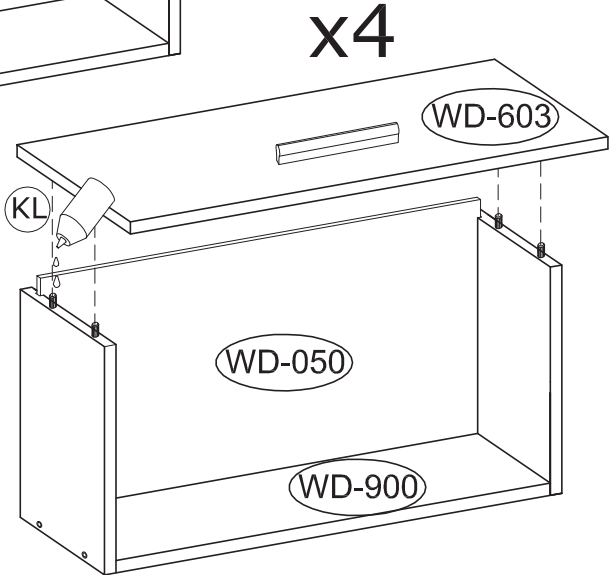
15.1



15.2

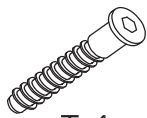


WD-602 x4



WD-603 x4

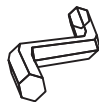
16



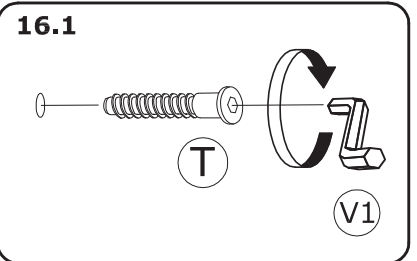
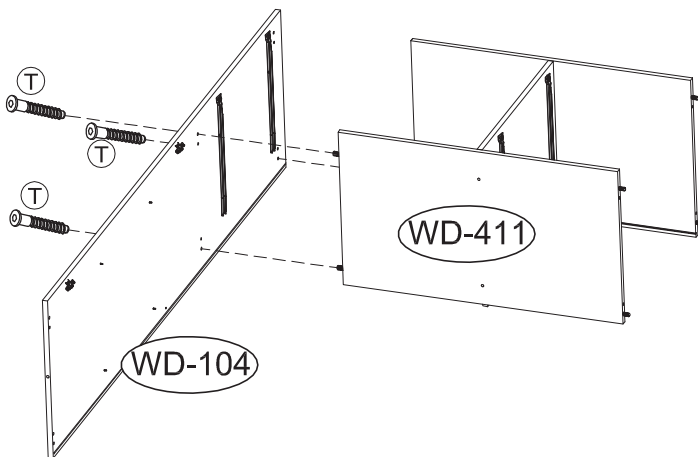
T-4



C-4



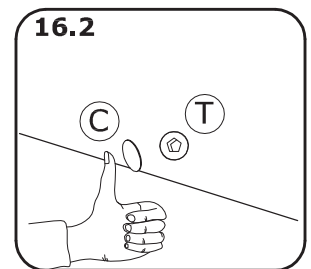
V1-1



16.1

T

V1

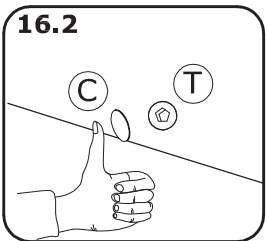
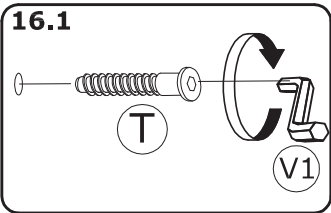
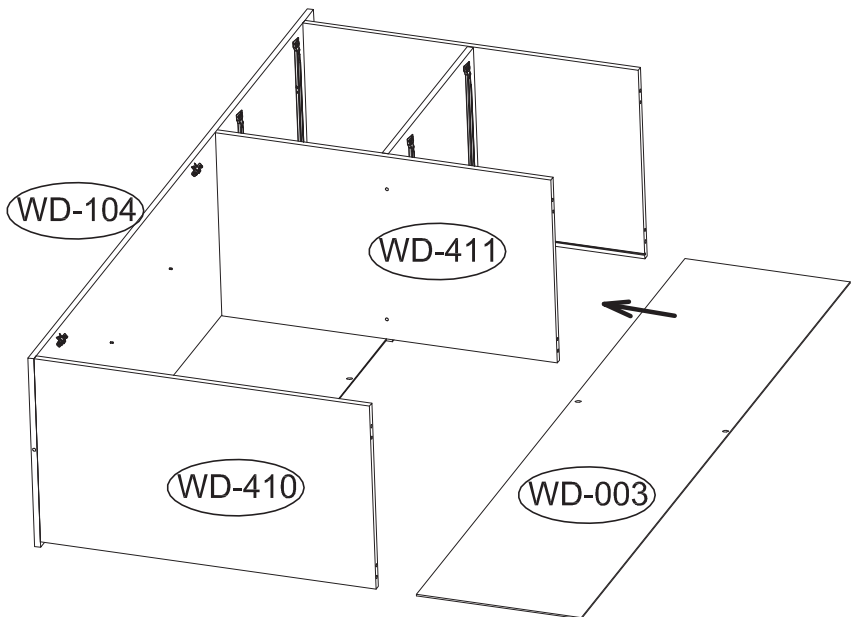
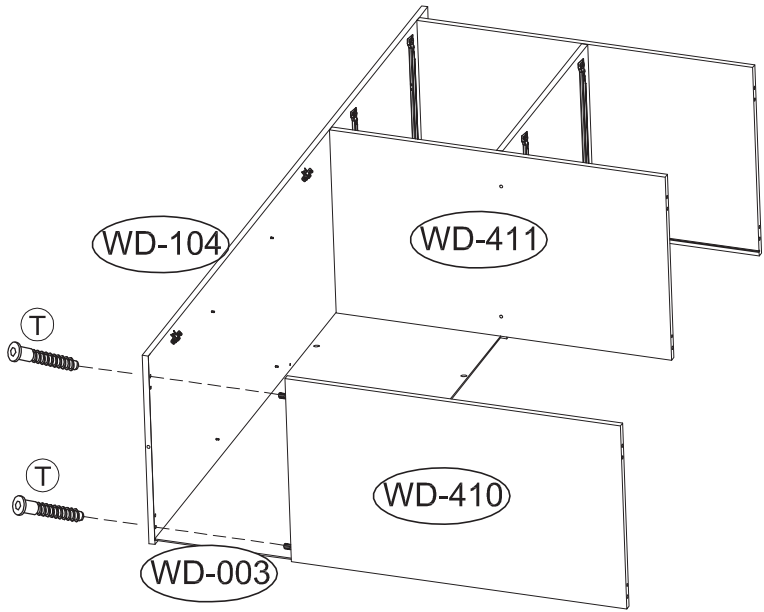
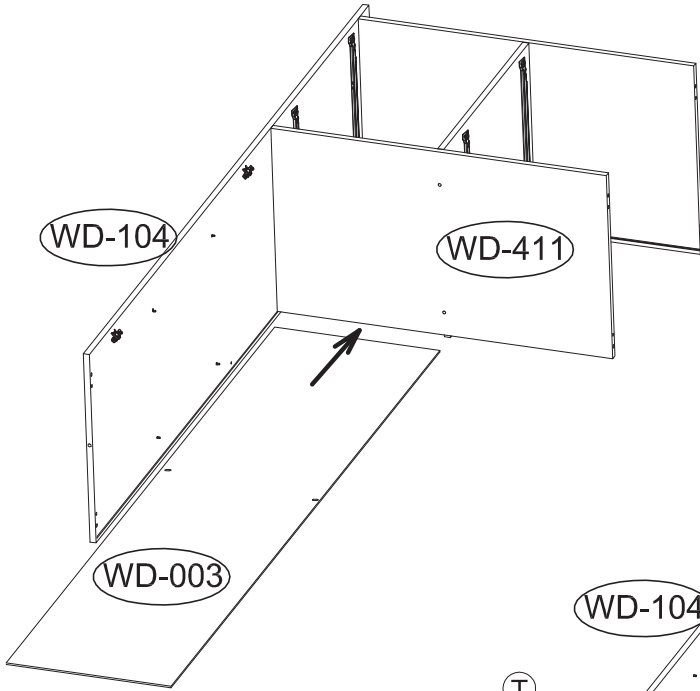
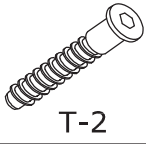


16.2

C

T

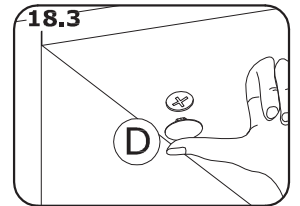
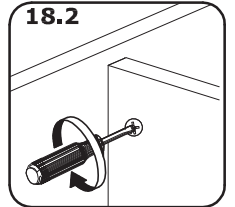
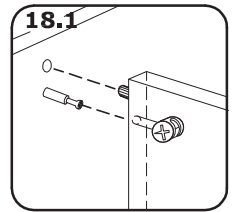
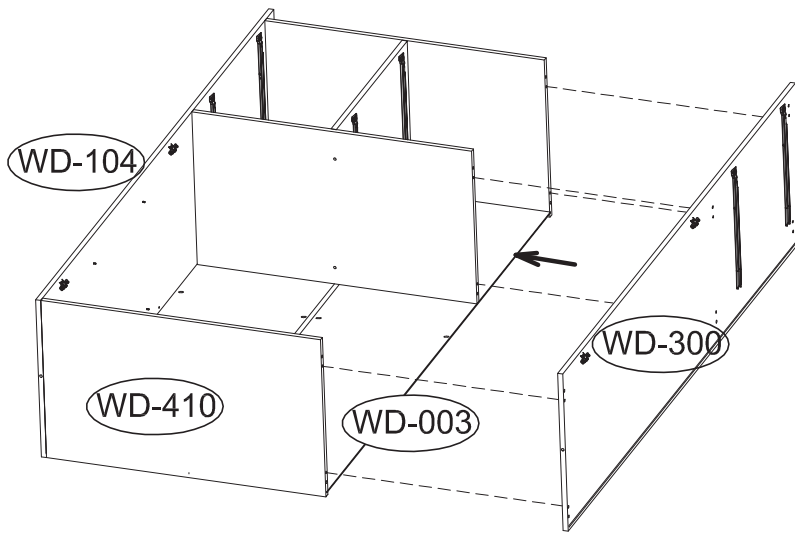
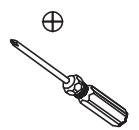
17



18



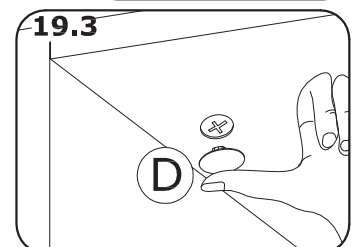
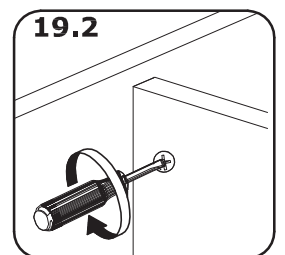
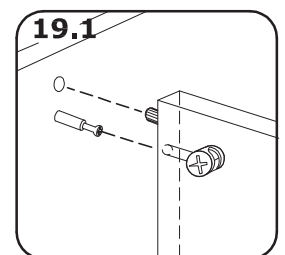
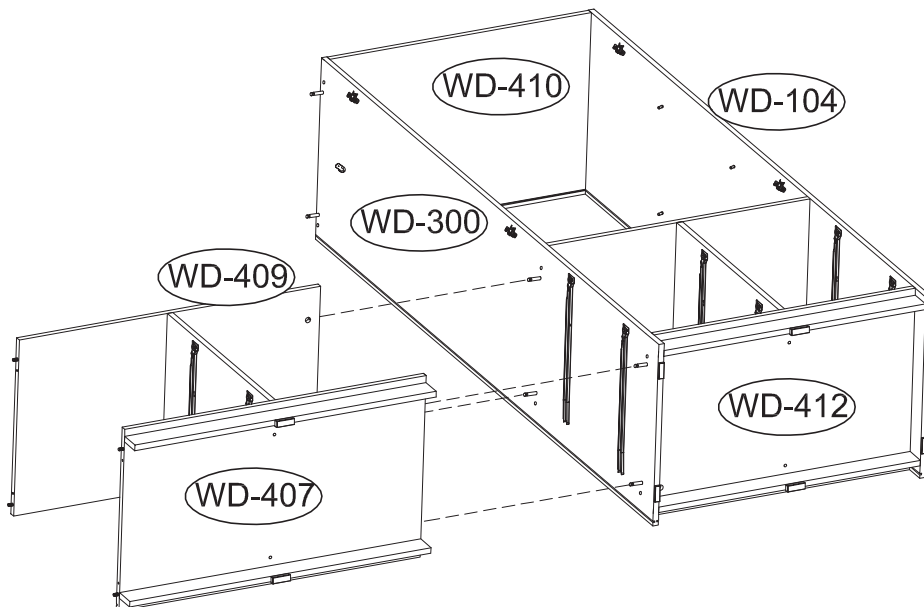
Dx6



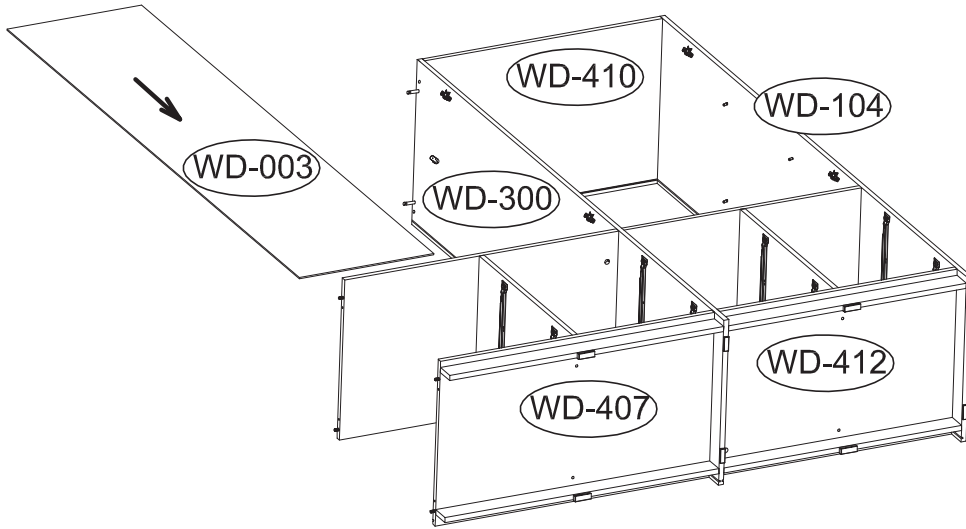
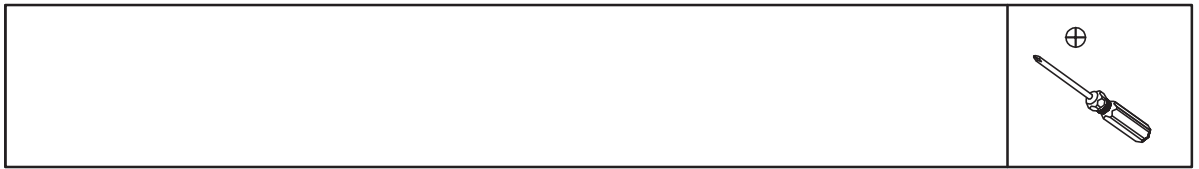
19



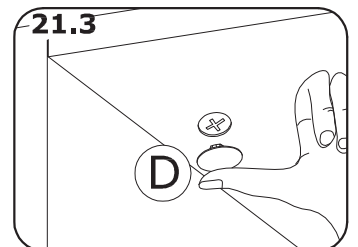
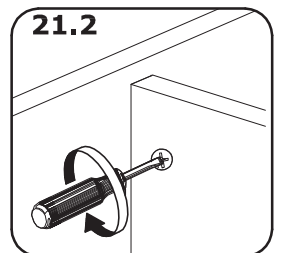
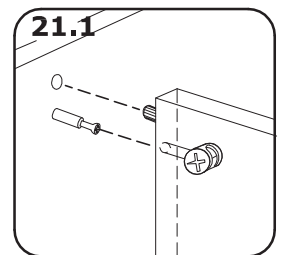
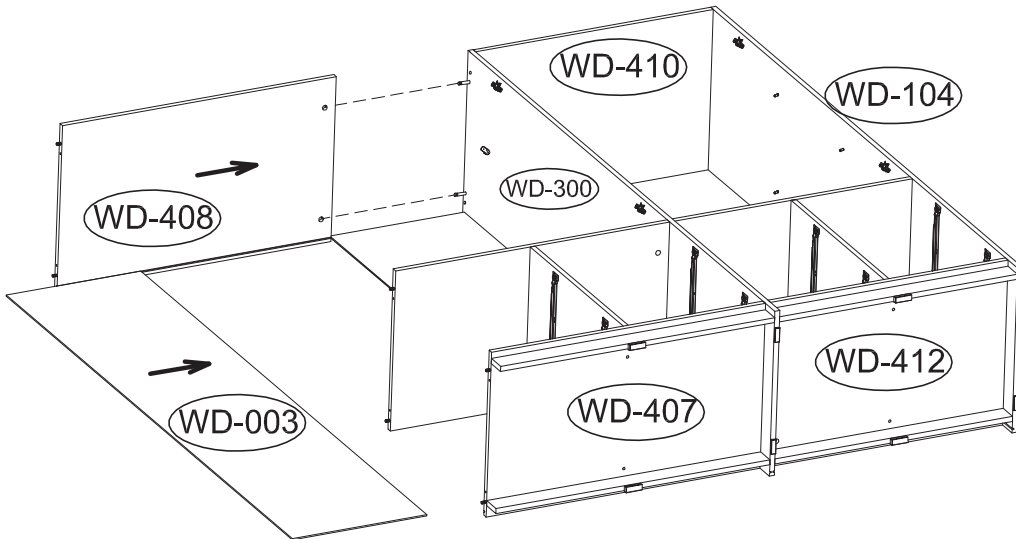
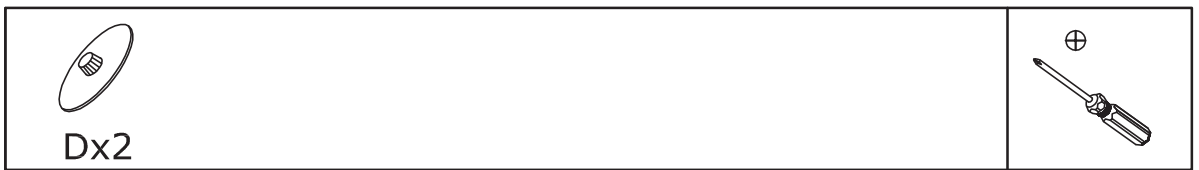
Dx4



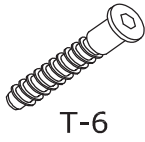
20



21



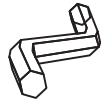
22



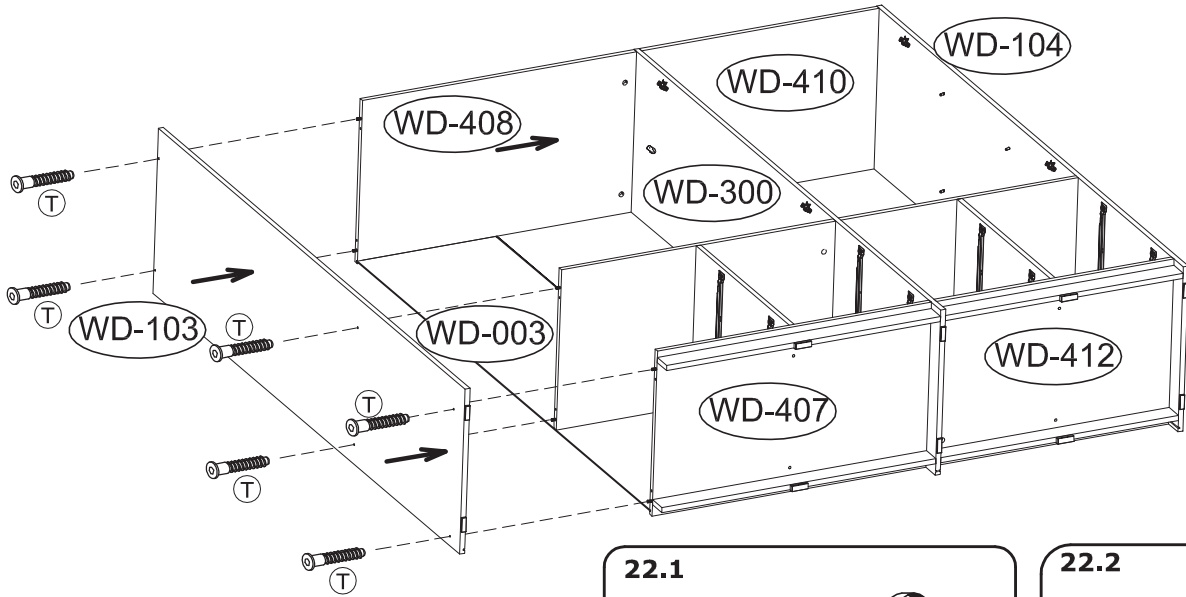
T-6



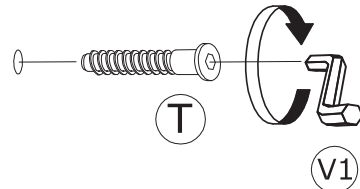
C-6



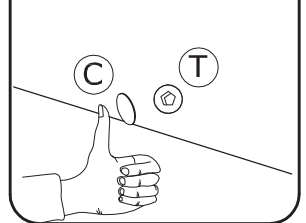
V1-1



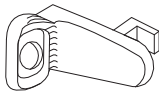
22.1



22.2



23



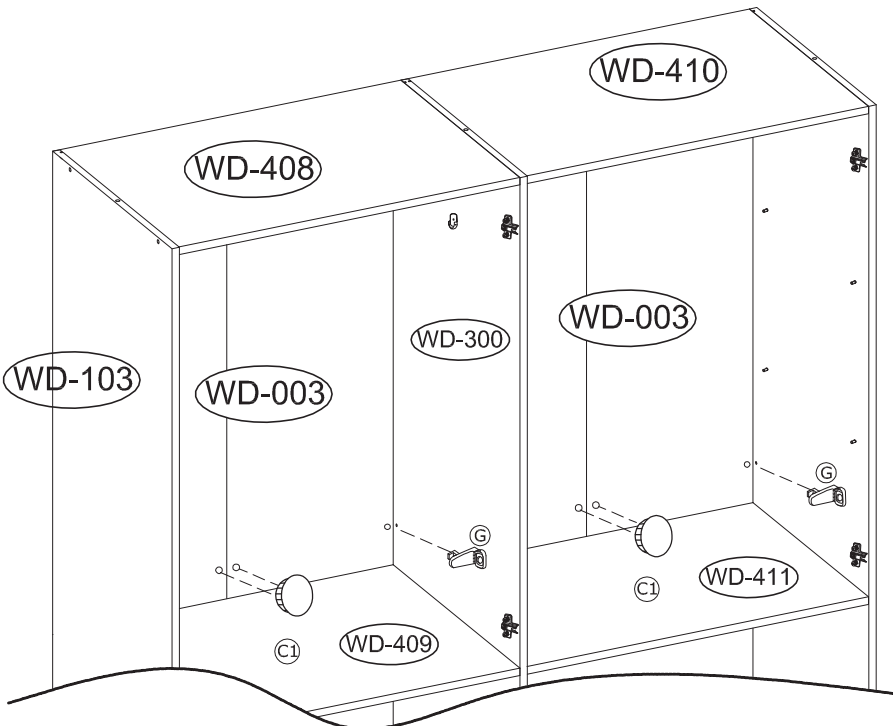
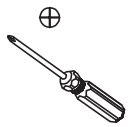
Gx4



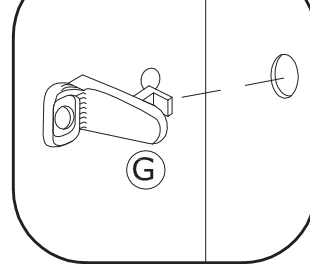
EUx4



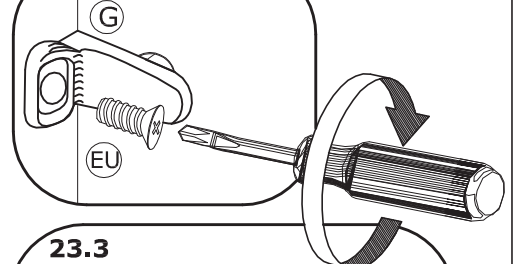
C1x4



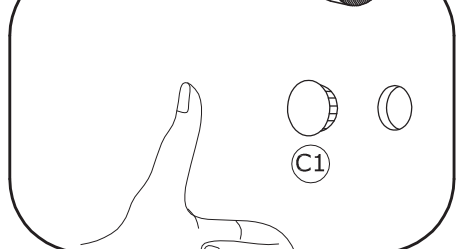
23.1



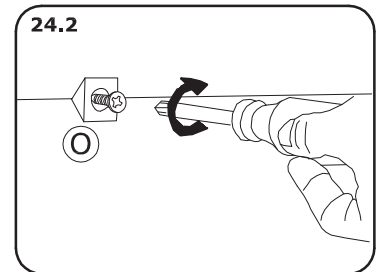
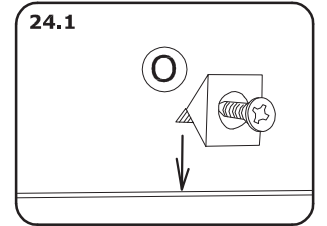
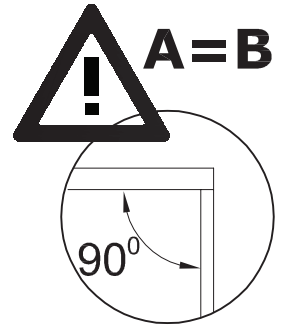
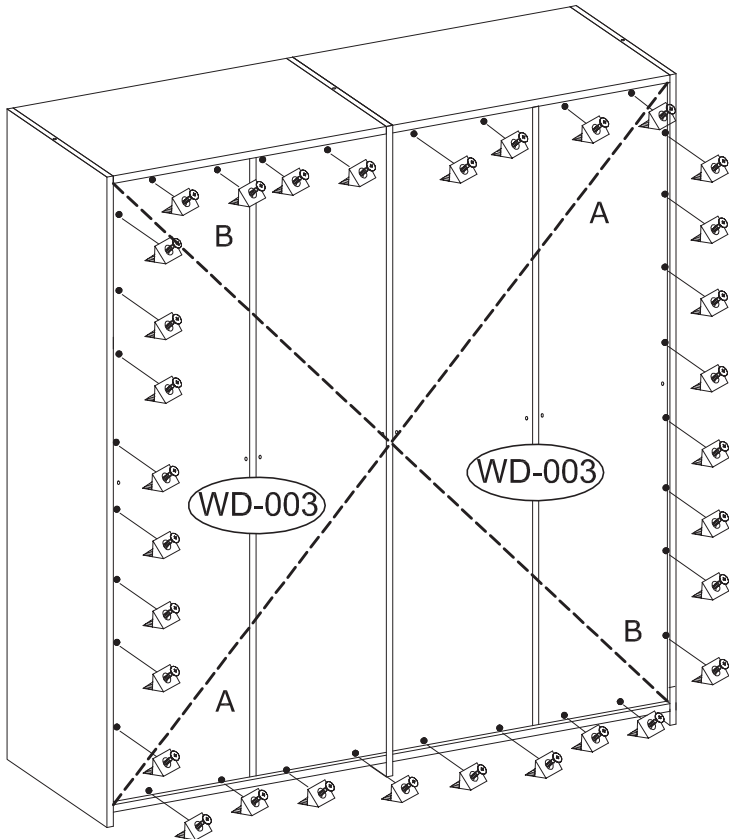
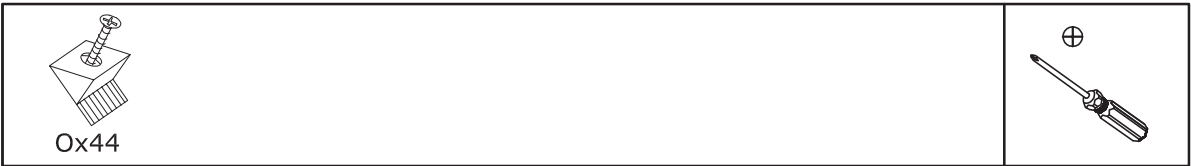
23.2



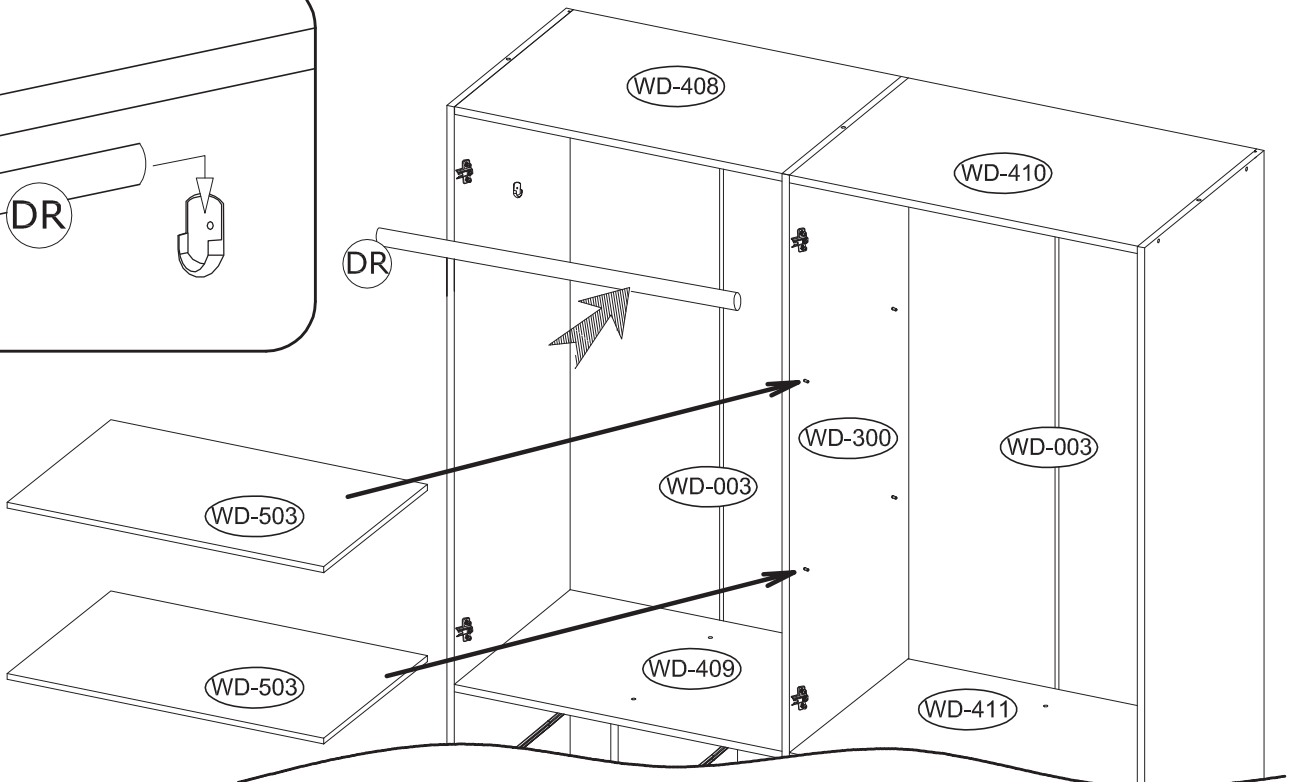
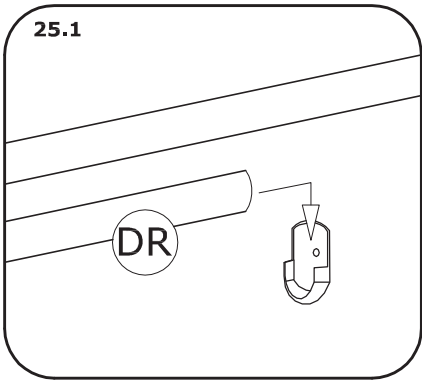
23.3



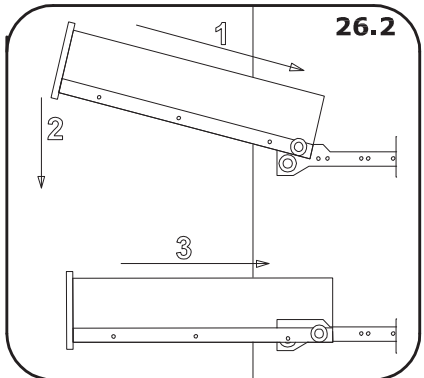
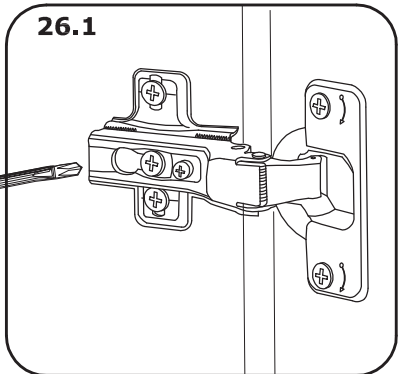
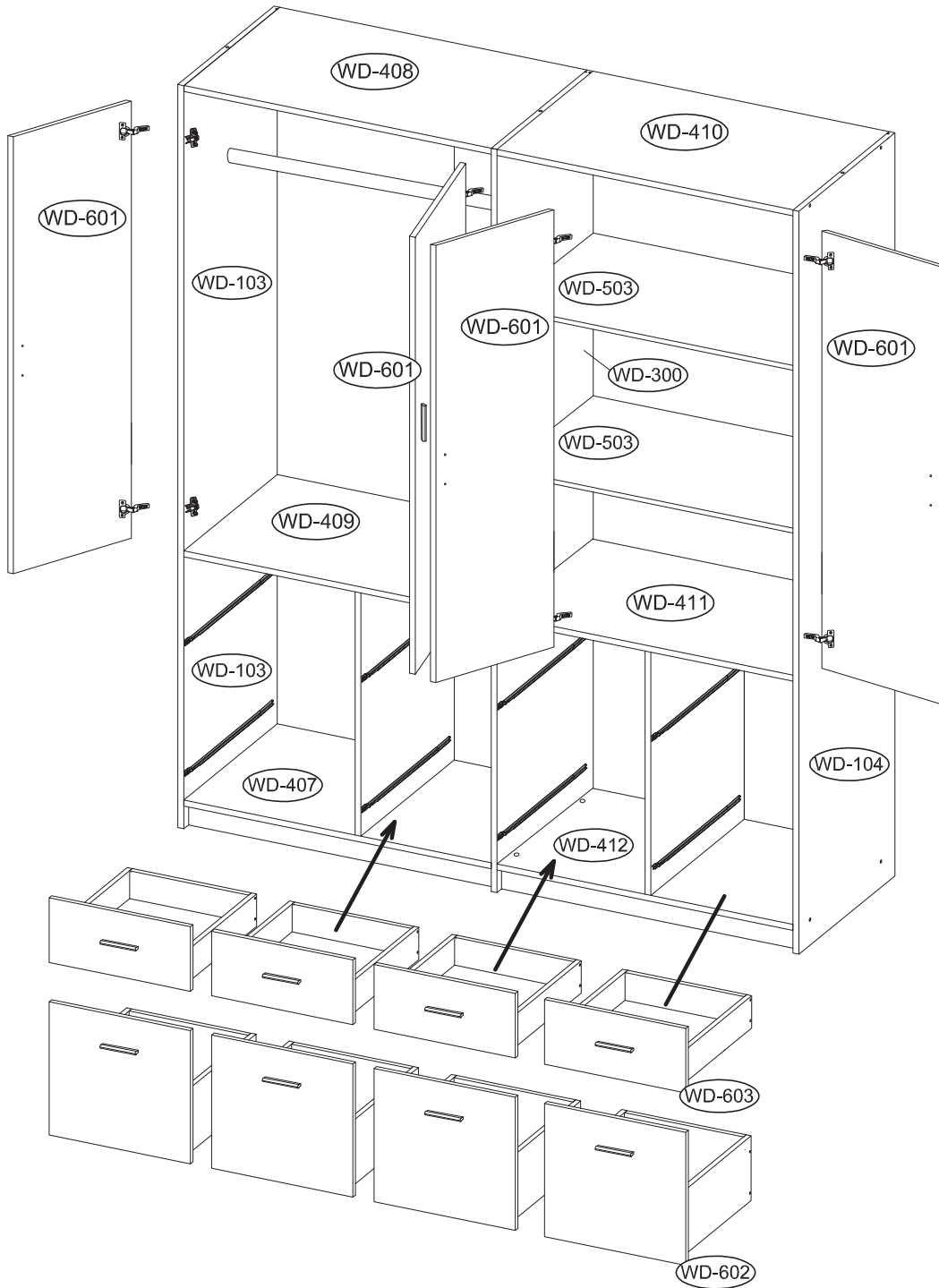
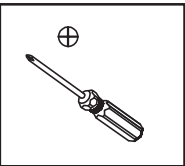
24

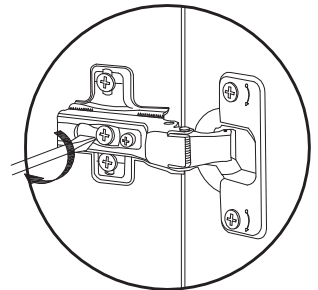
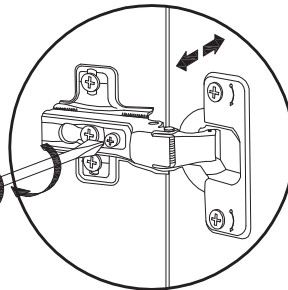
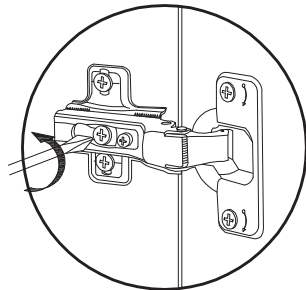
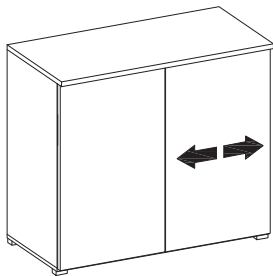
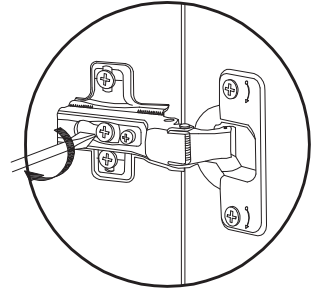
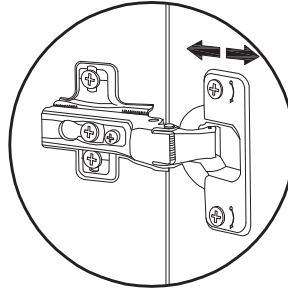
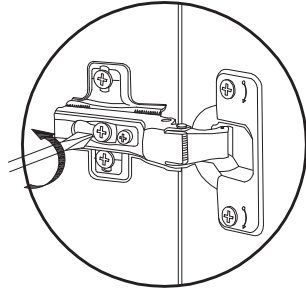
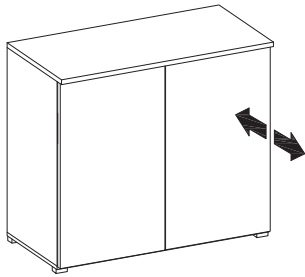
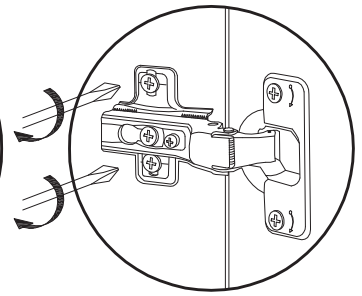
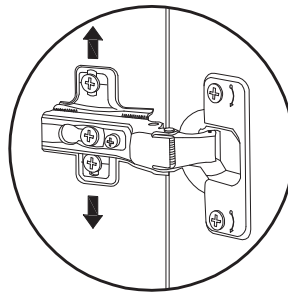
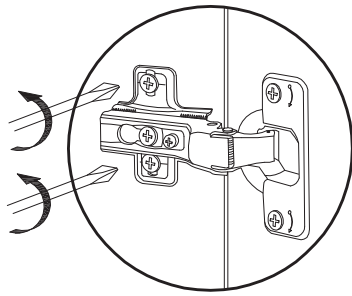
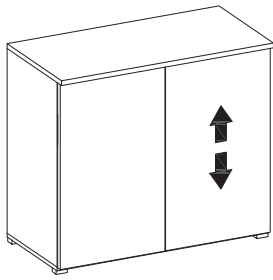


25

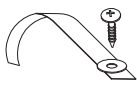


26

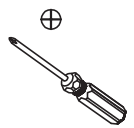




27



Wx2



27.1

