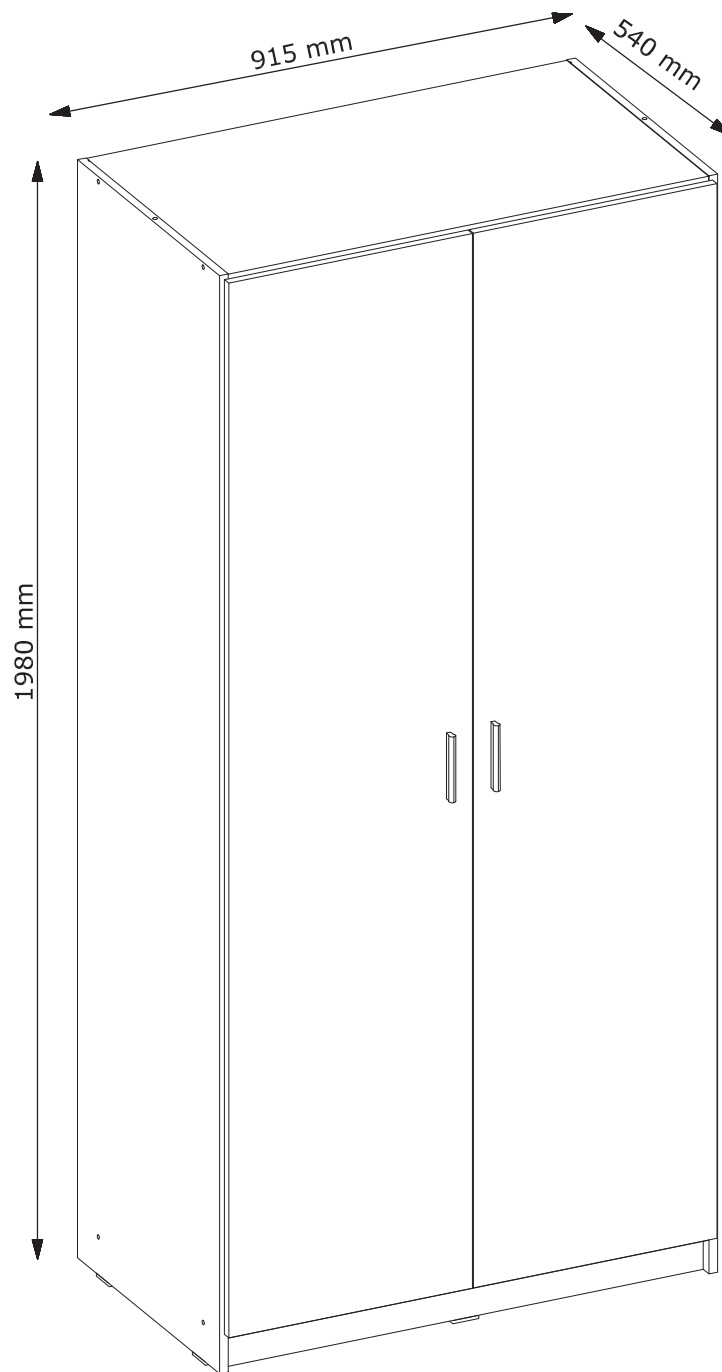
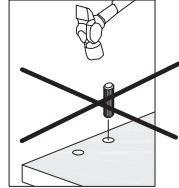
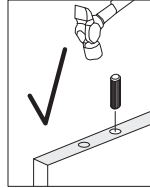
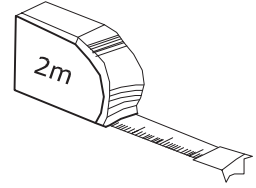
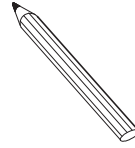
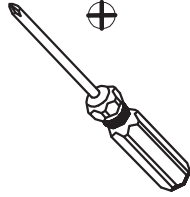
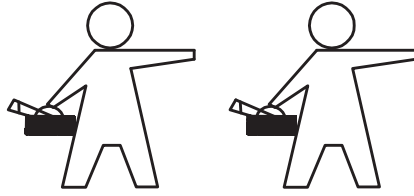
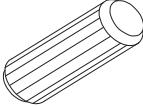
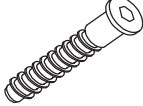
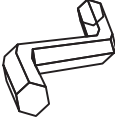

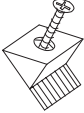
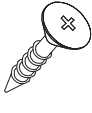

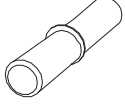
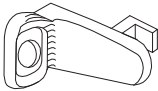

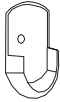

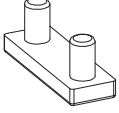
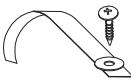

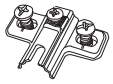
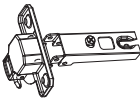
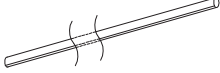
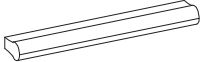
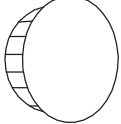



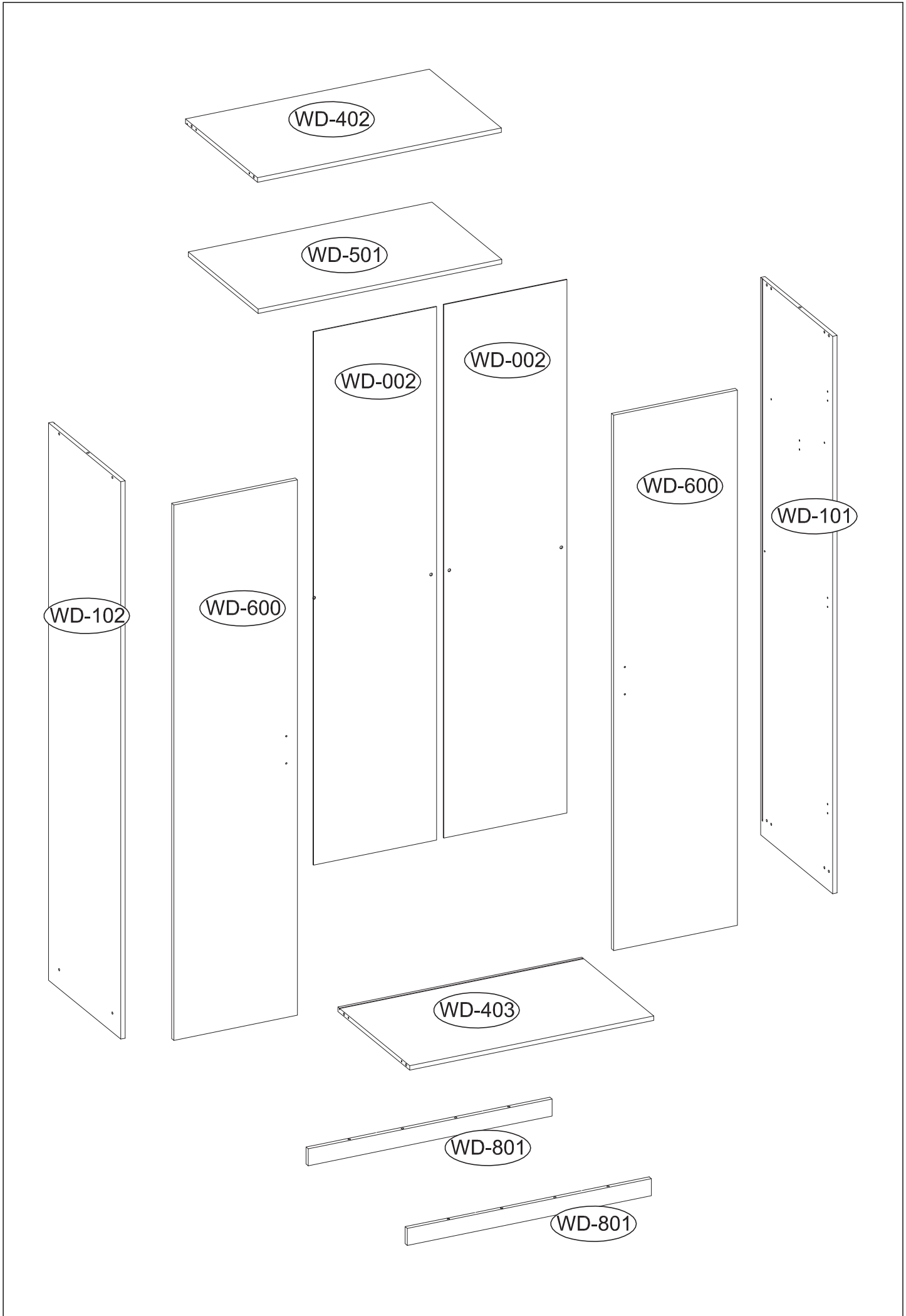
SNOW

02

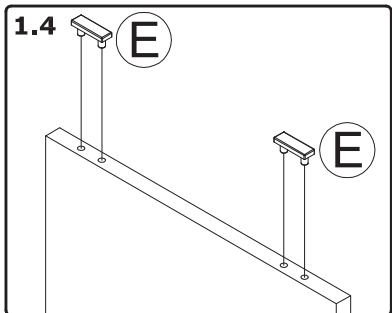
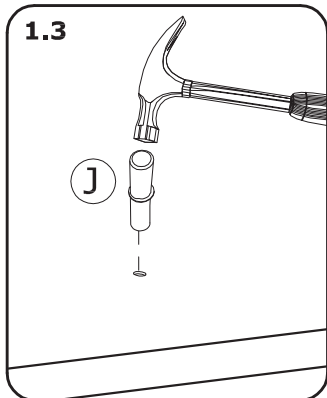
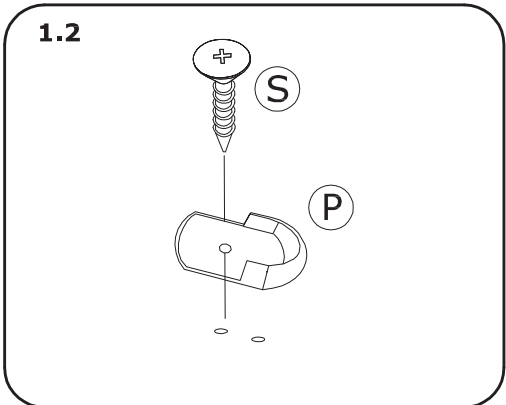
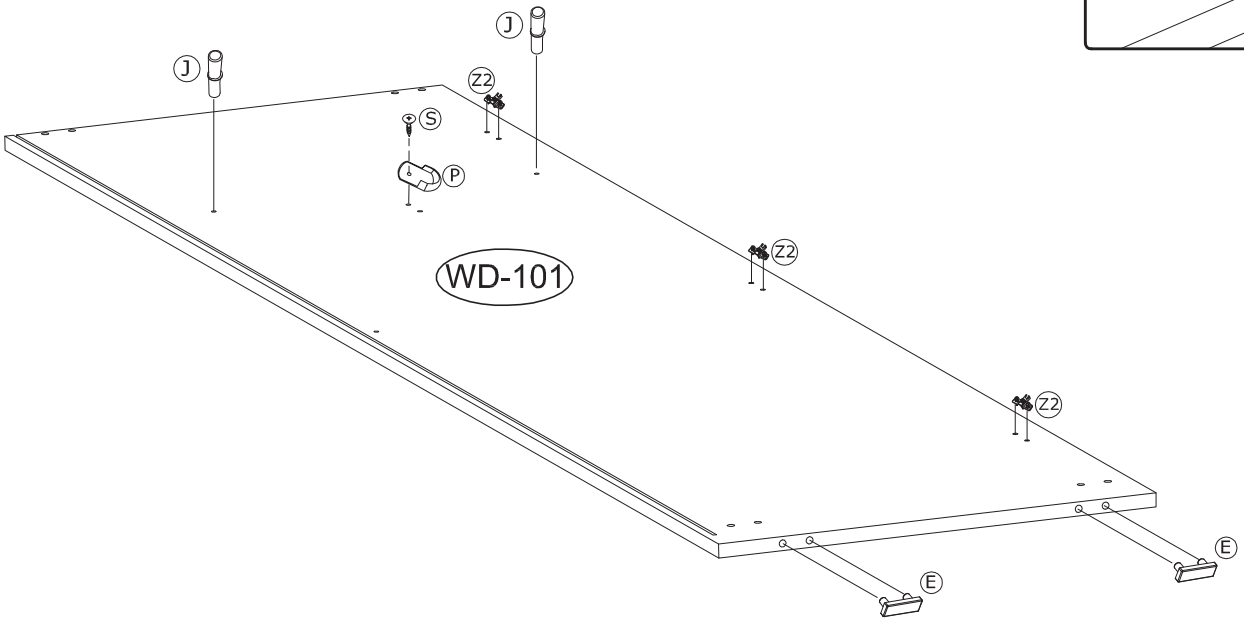
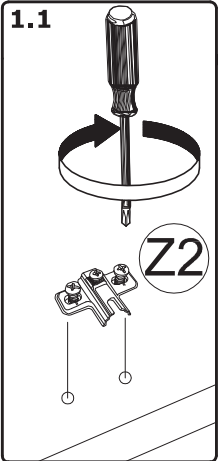
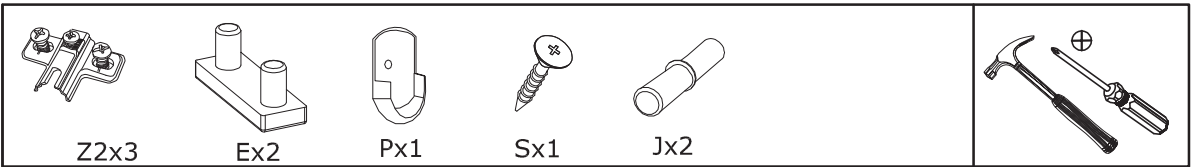




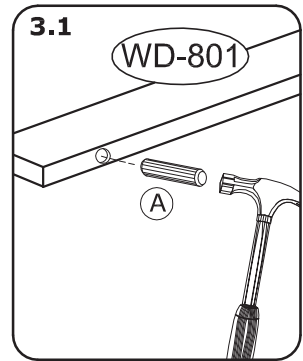
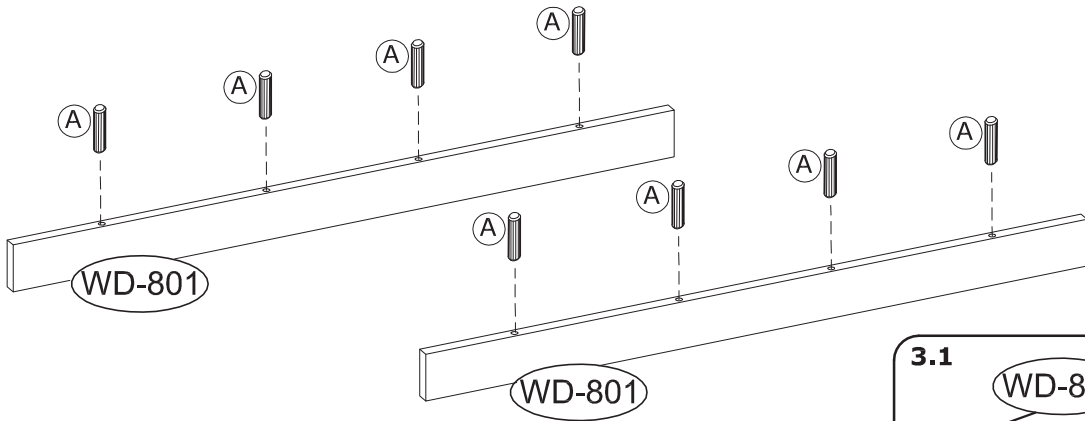
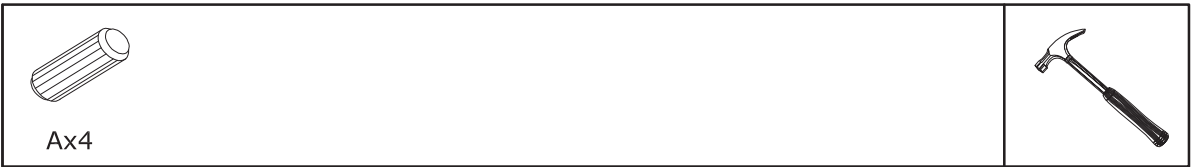
 Ø8x30mm Ax16	 Ø6,4x50mm T-8	 4,0 mm V1-1	 C-8
 Ox20	 Ø3.5x16mm Hx12	 Ø4,0x25mm Rx4	 5 mm Jx4
 Gx2	 Ø6.3x11mm EUx2	 Px2	 Ø3.0x13mm Sx2
 Ex4	 Wx1	 KLx1	 Z2x6
 Z1x6	 L=872 mm DRx1	 Lx2	 C1x2
 L=1875 mm GRx1			



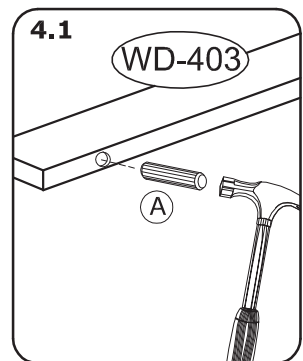
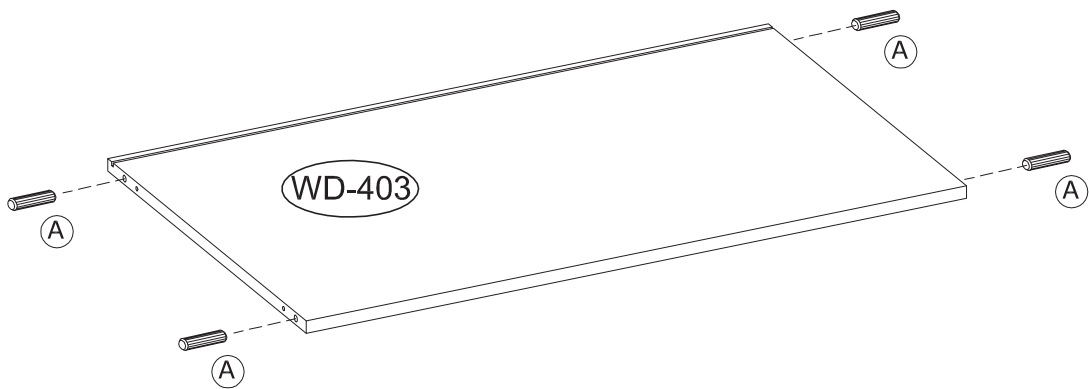
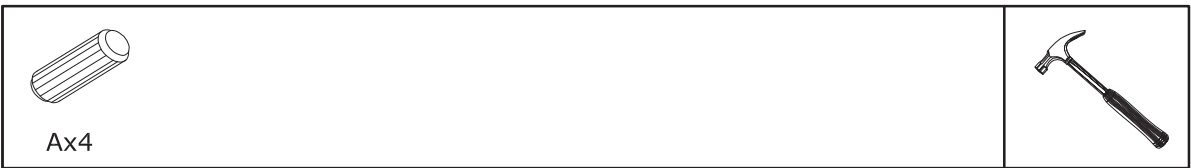
1



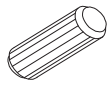
3



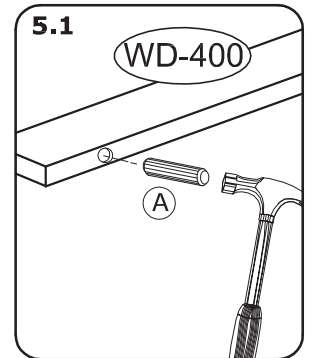
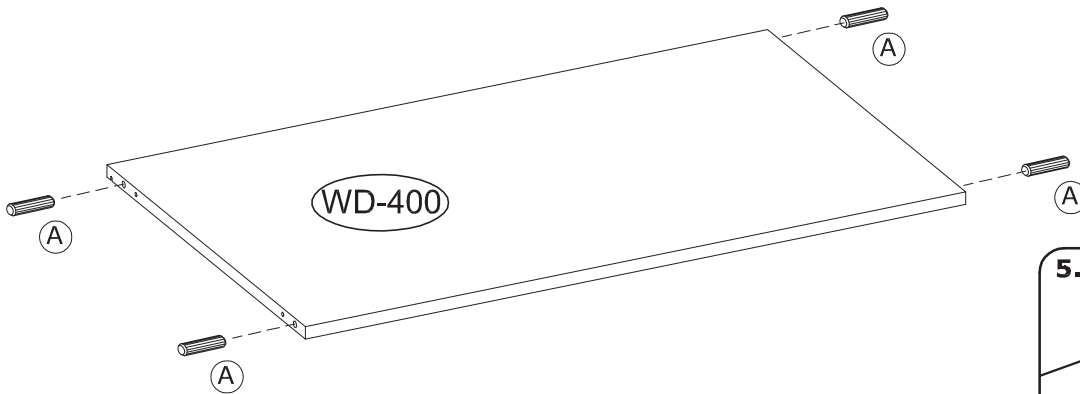
4



5



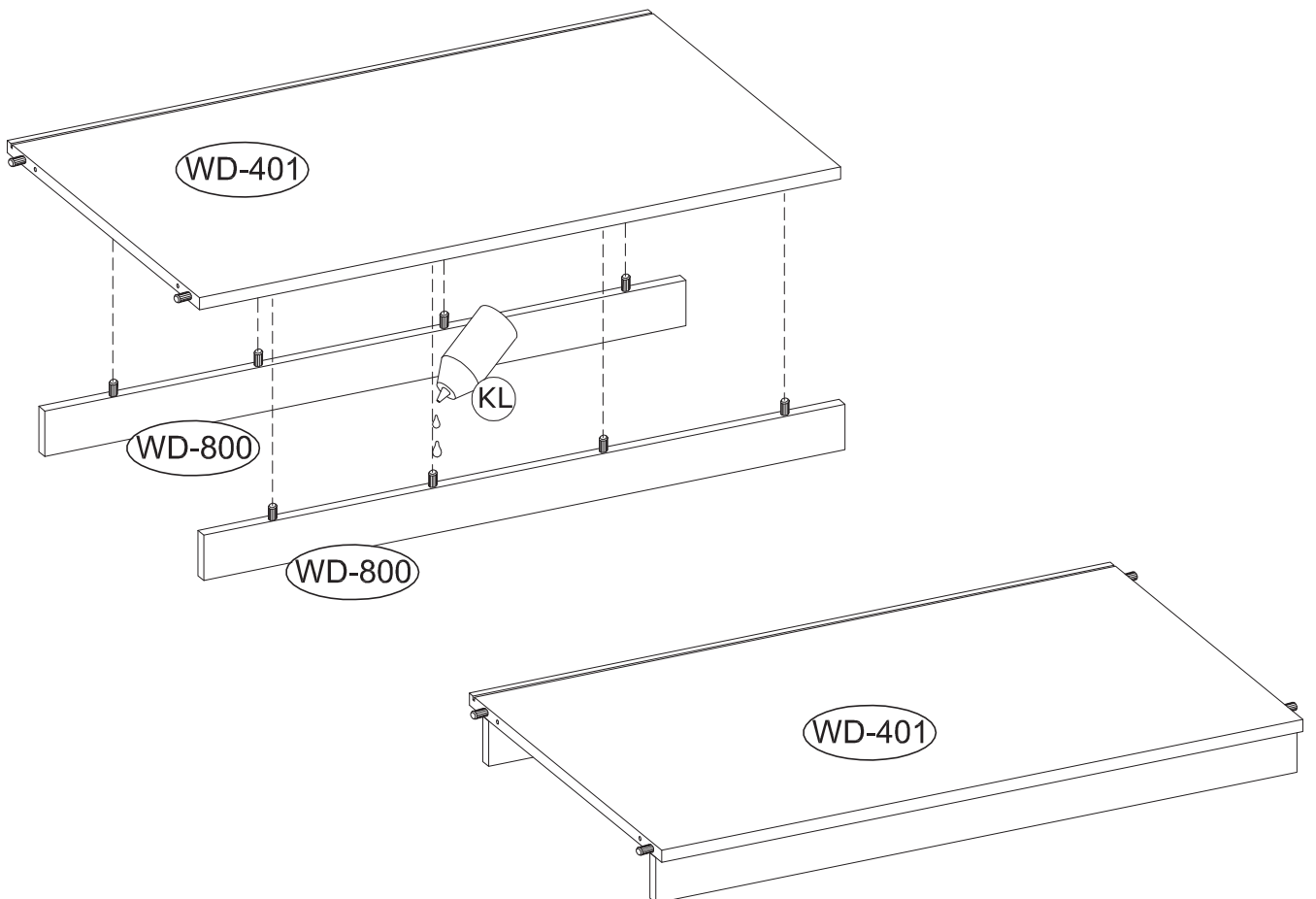
Ax4



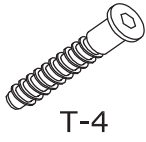
6



KLx1



7



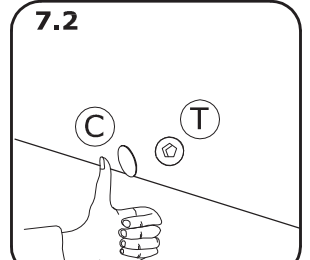
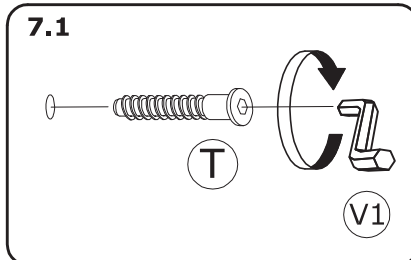
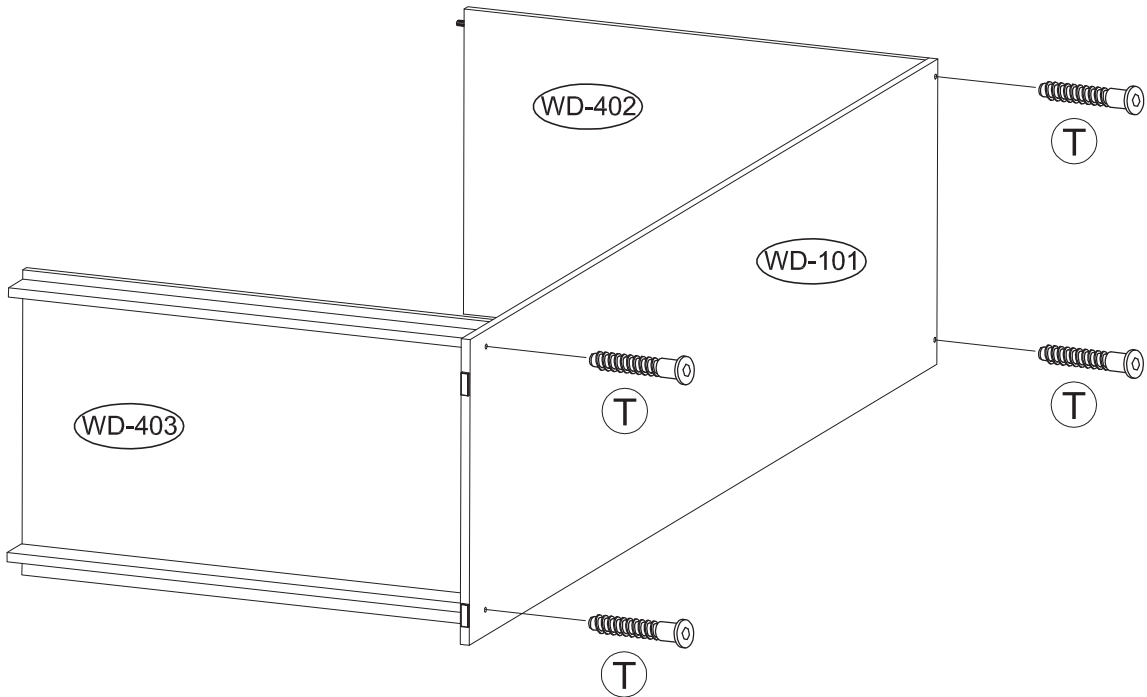
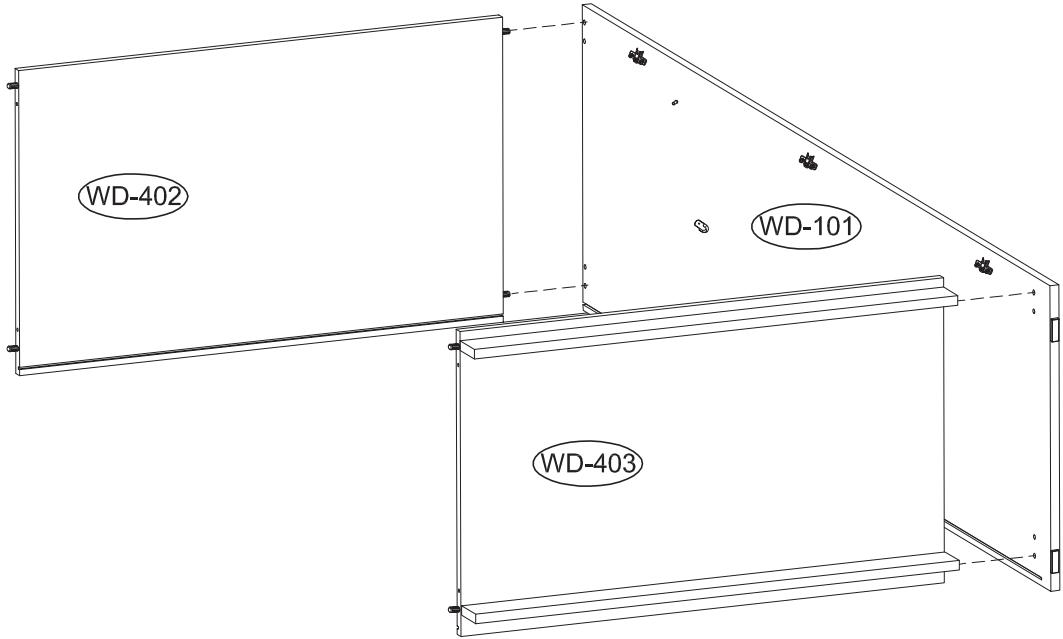
T-4



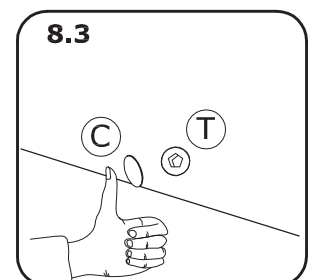
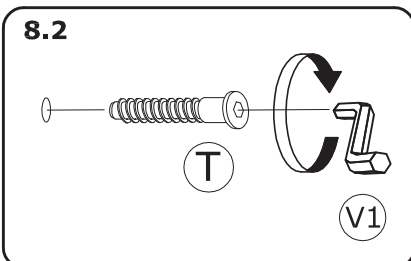
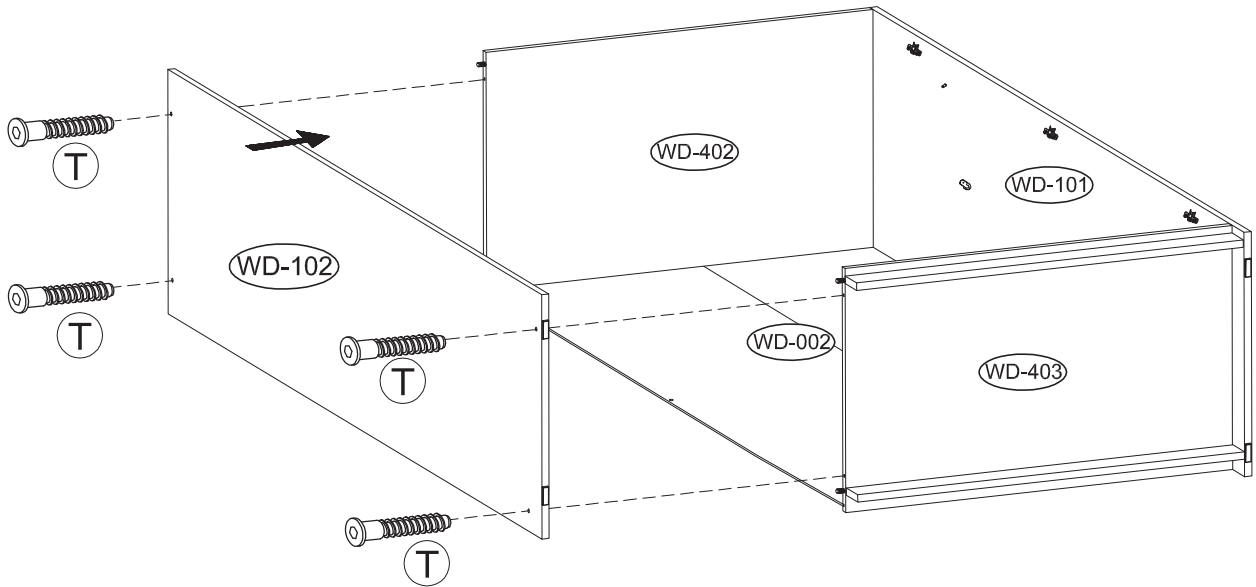
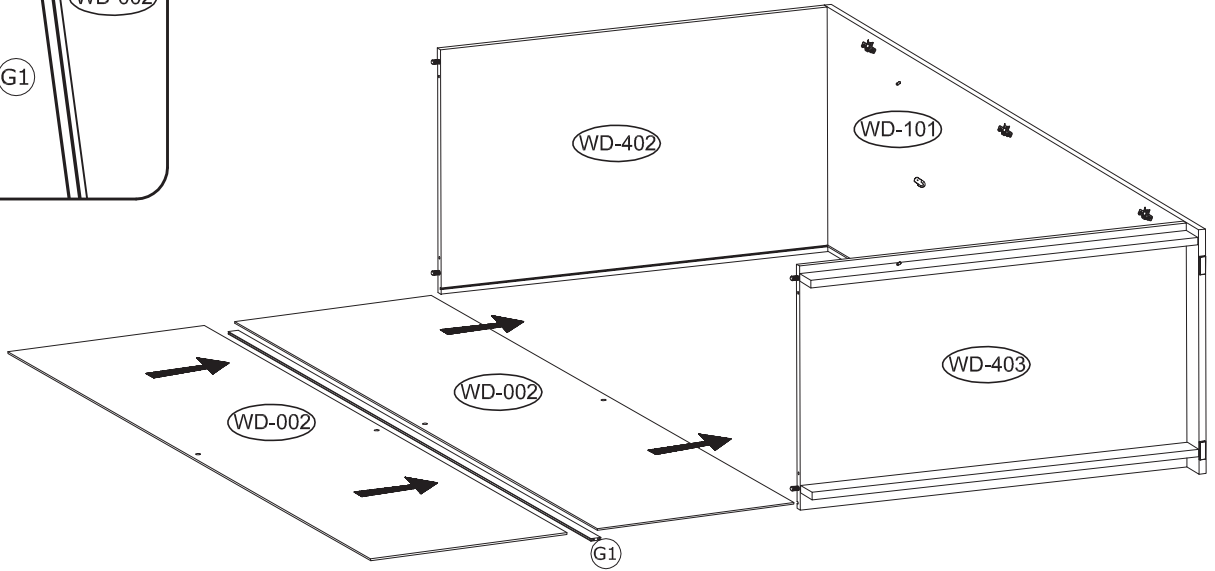
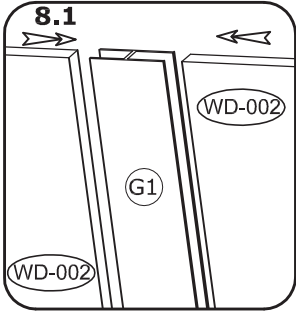
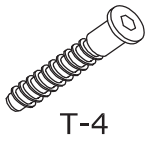
C-4



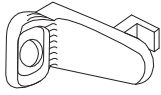
V1-1



8



9



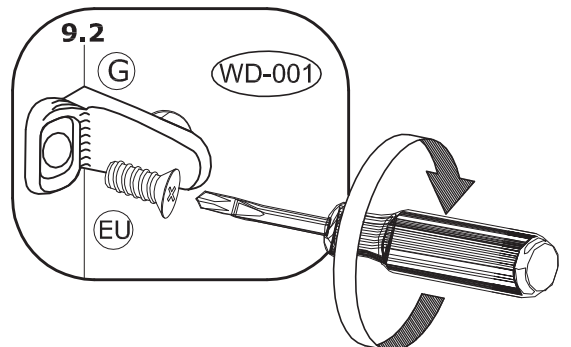
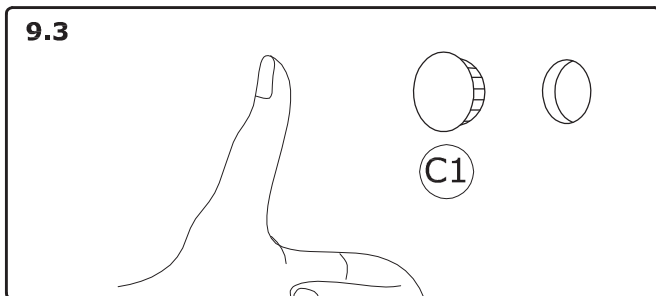
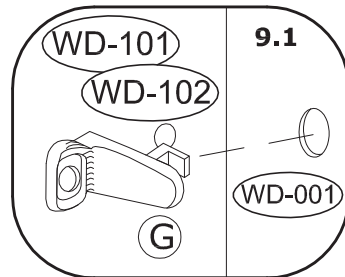
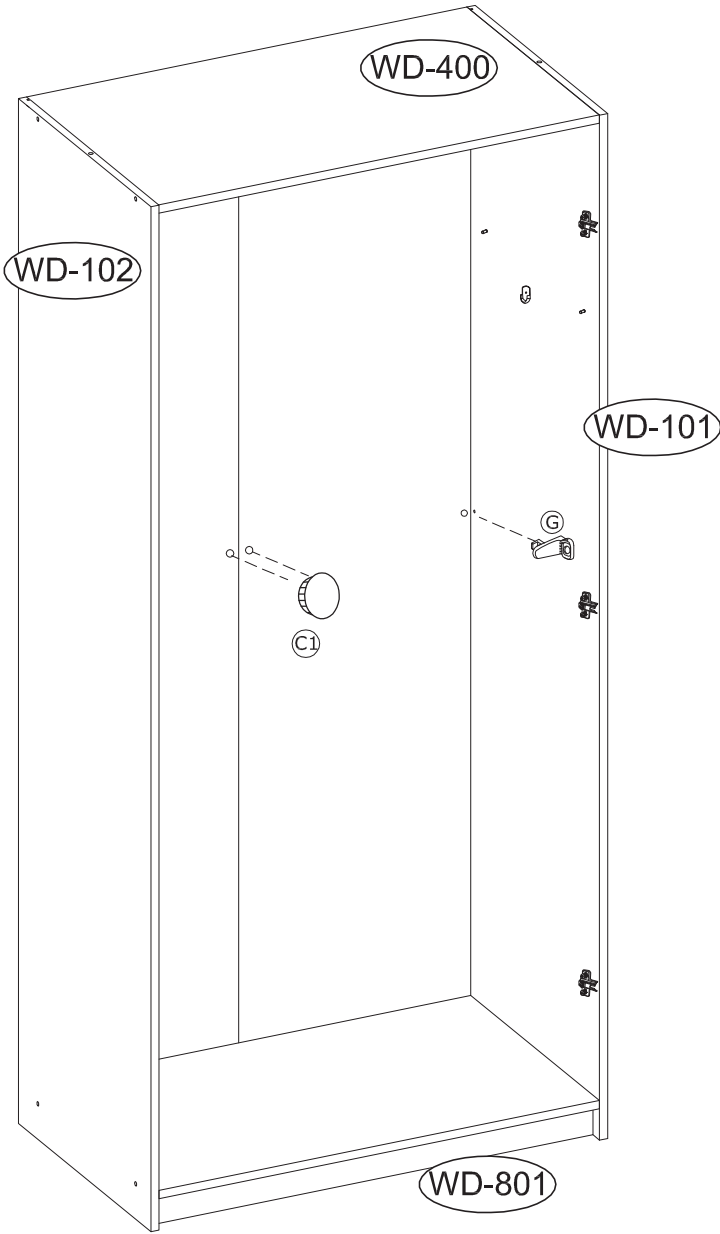
Gx2



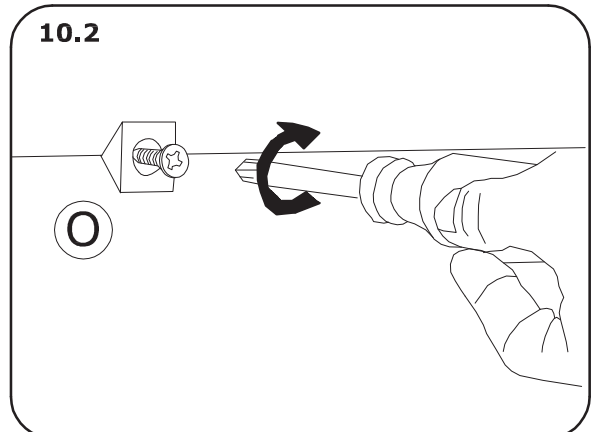
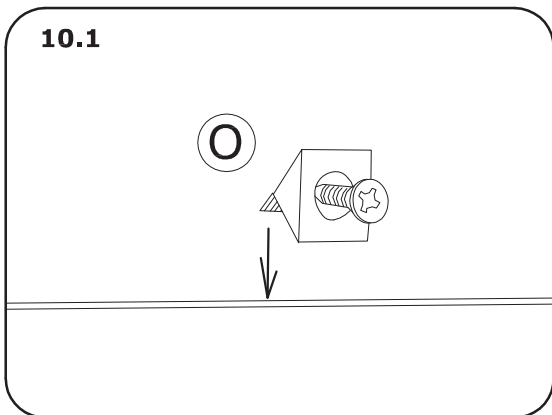
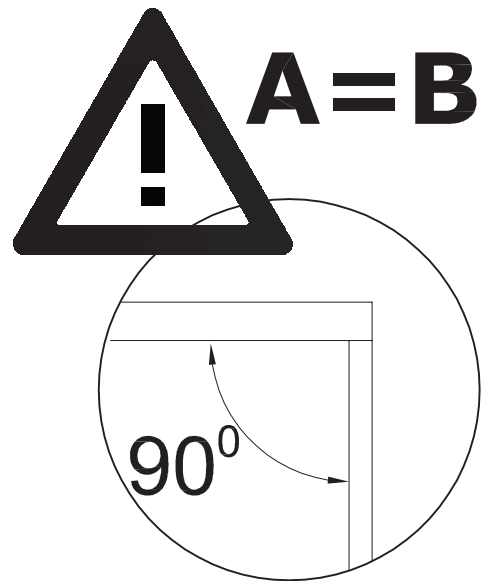
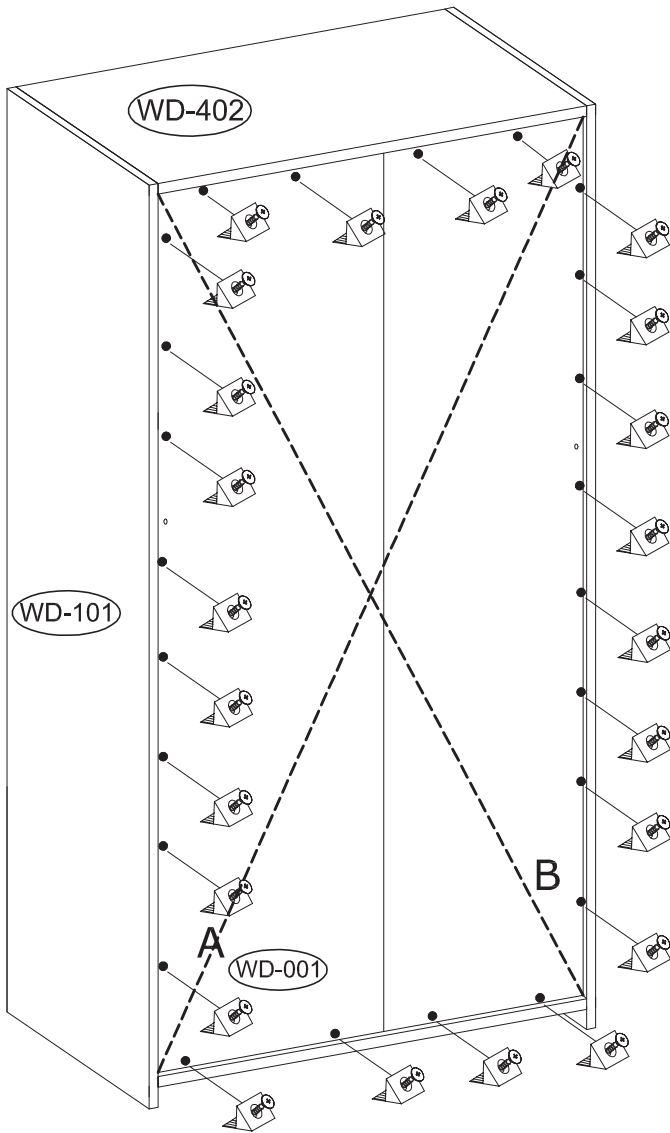
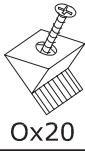
EUx2



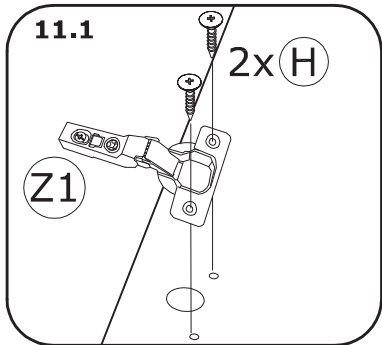
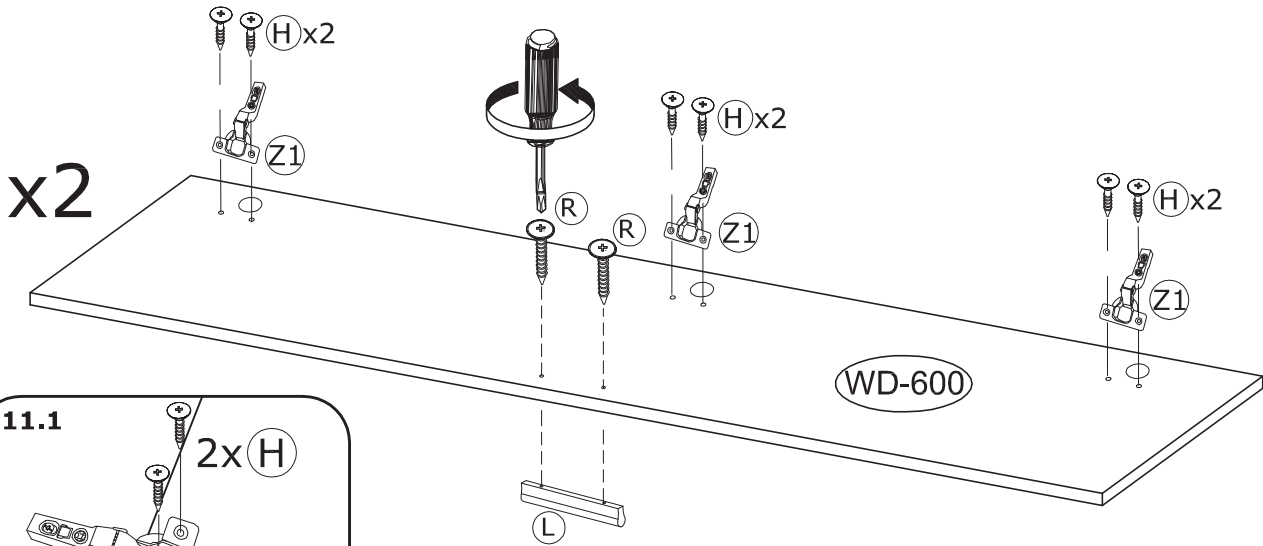
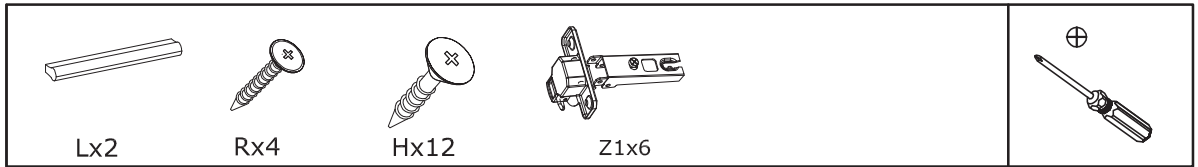
C1x2



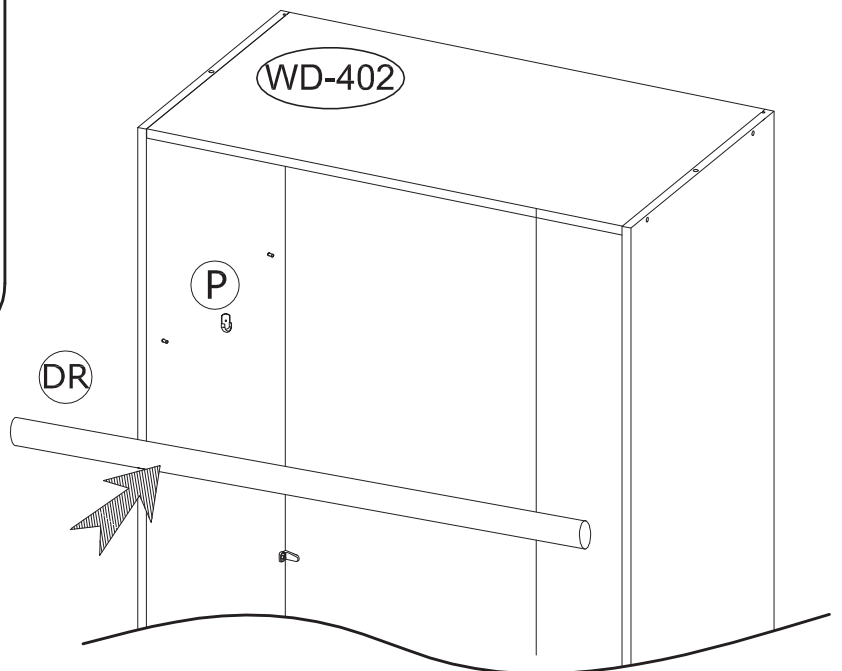
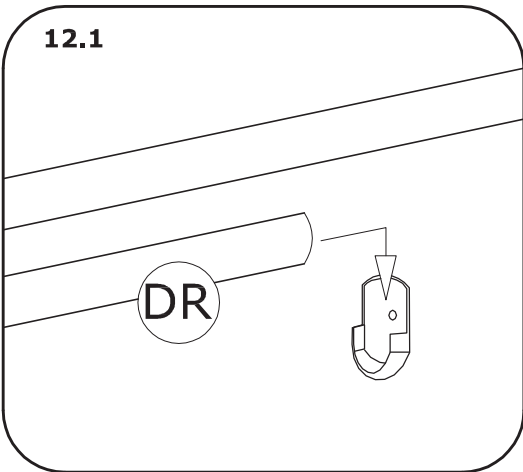
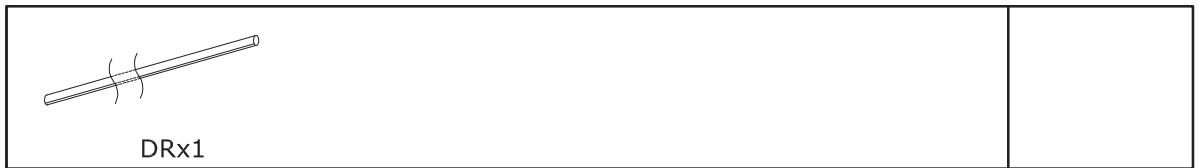
10



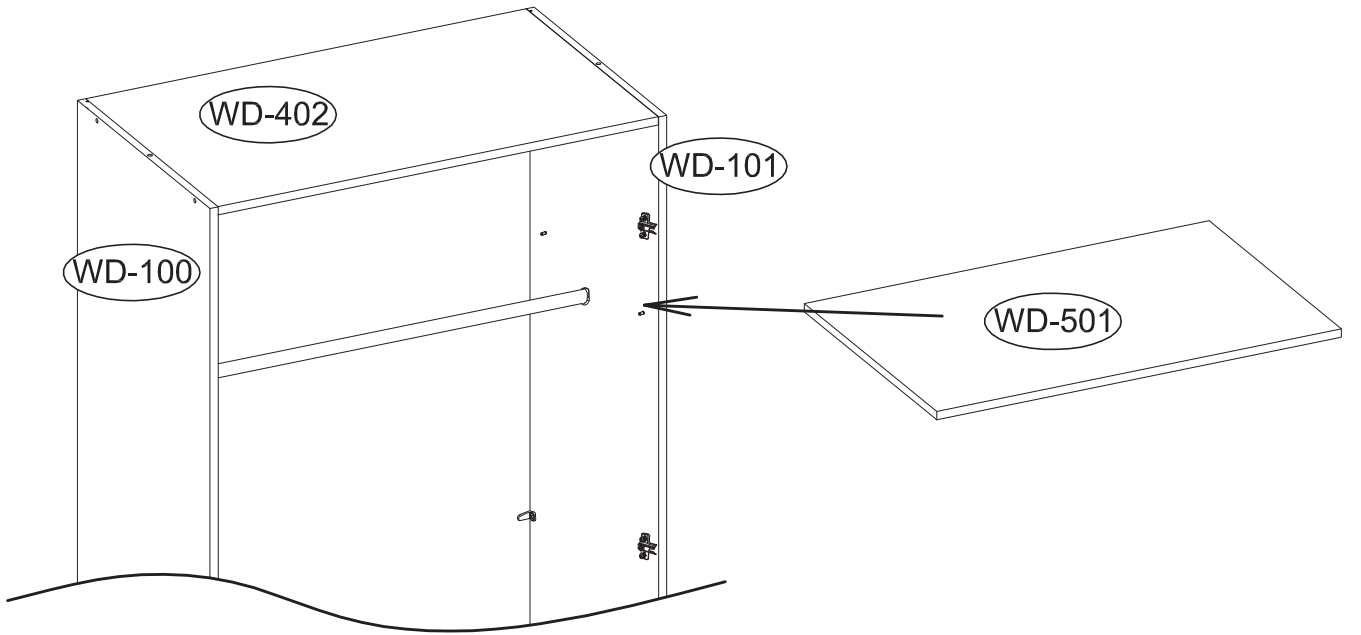
11



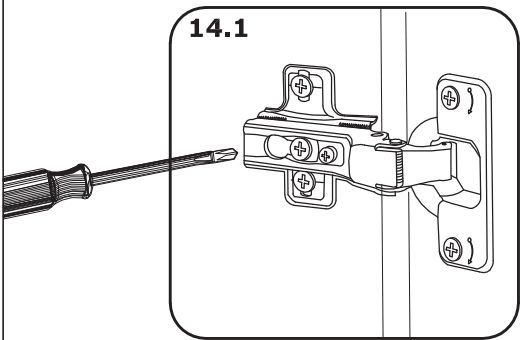
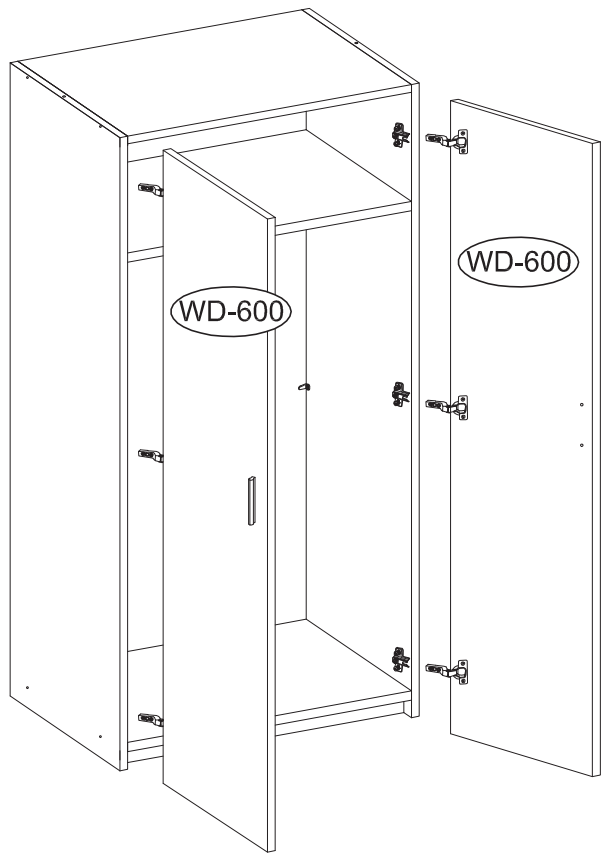
12

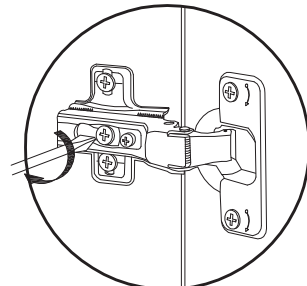
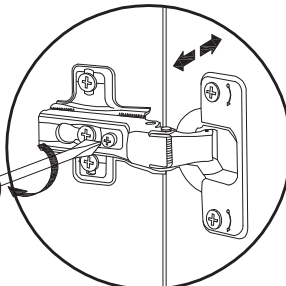
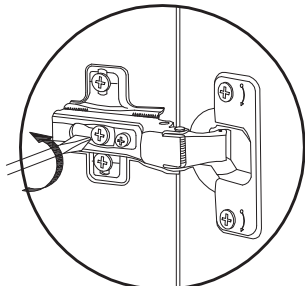
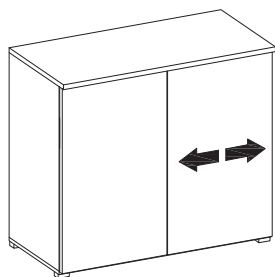
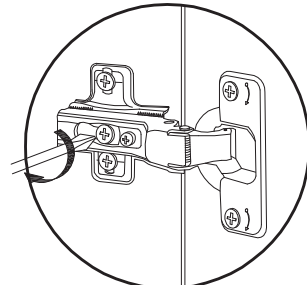
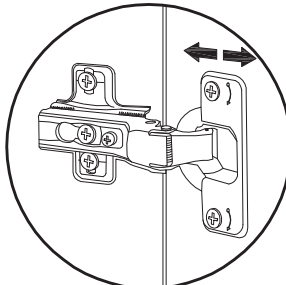
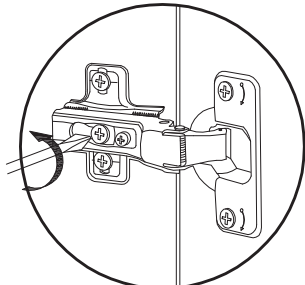
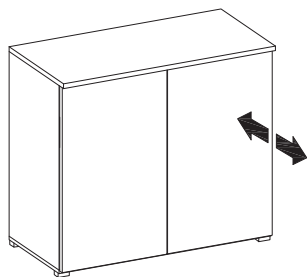
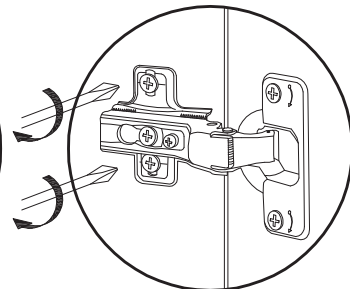
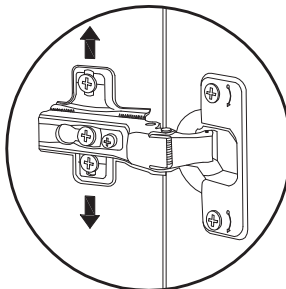
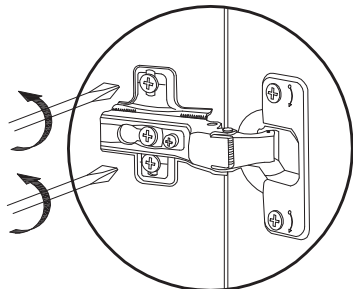
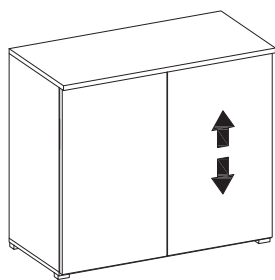


13

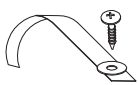


14





15



Wx1

