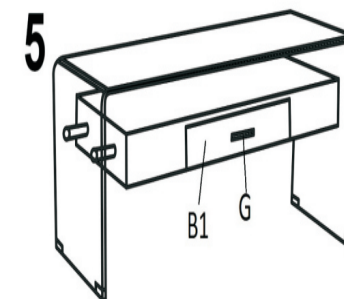
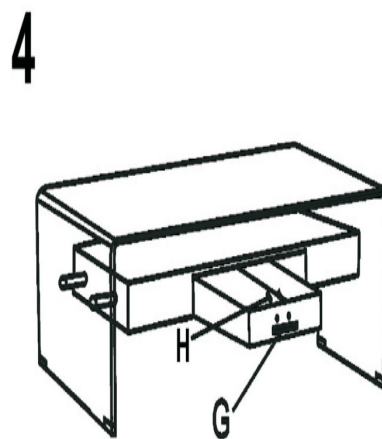
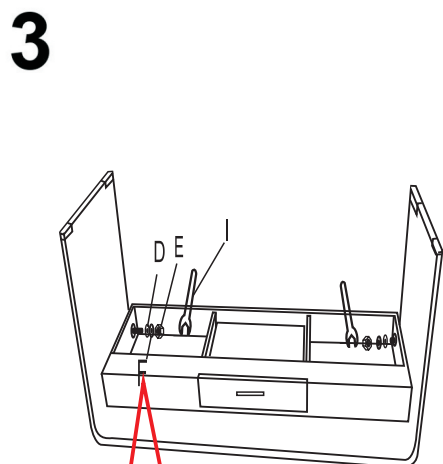
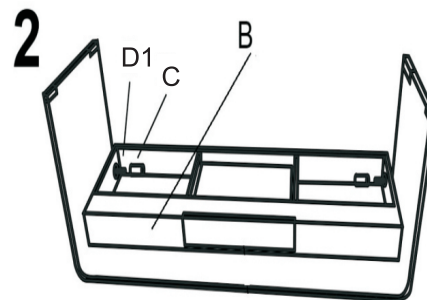
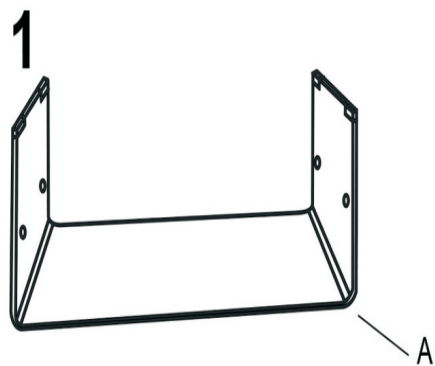
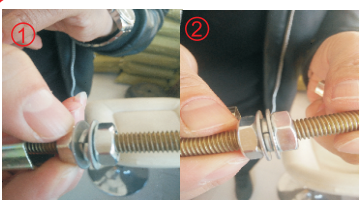


F-GW609



A		1
B		1
B1		1
D1		4
C		4
D		4
E		4
F		4
G		1
H		2
I		1



ATTENTION:
TO AVOID EXCESSIVE FORCE, WHEN YOU ASSEMBLED
LIKE PICTURE TWO, IT IS THE RIGHT POSITION, DO NOT
TURN SCREW ANY MORE